



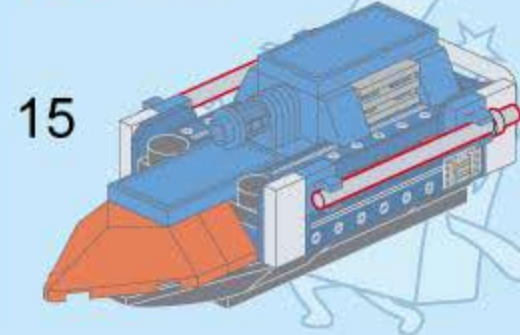
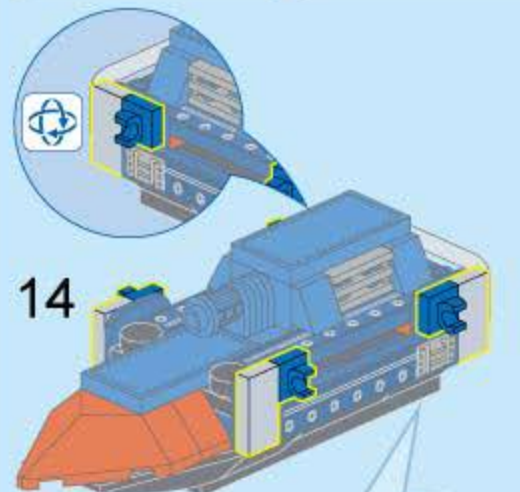
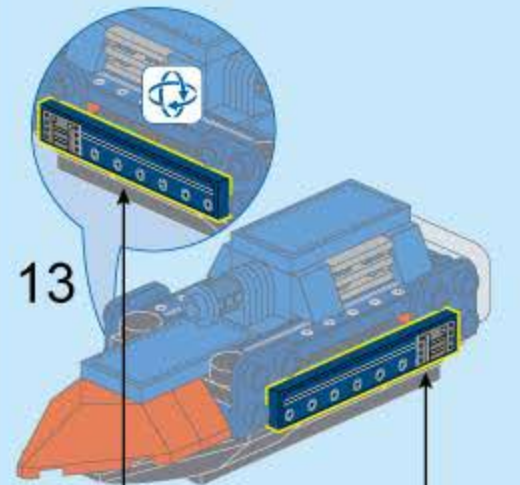
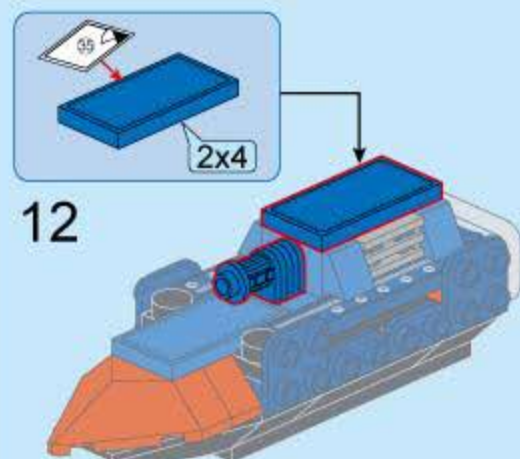
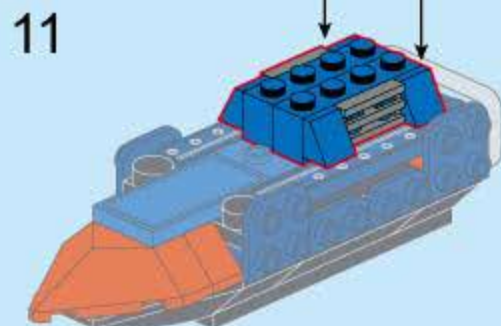
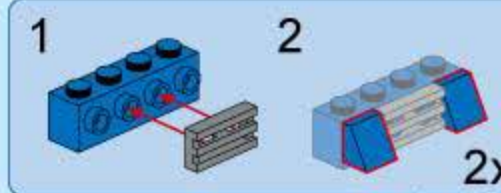
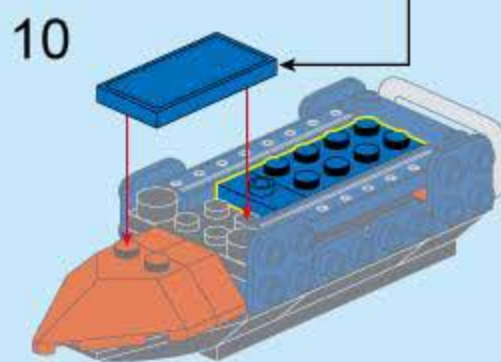
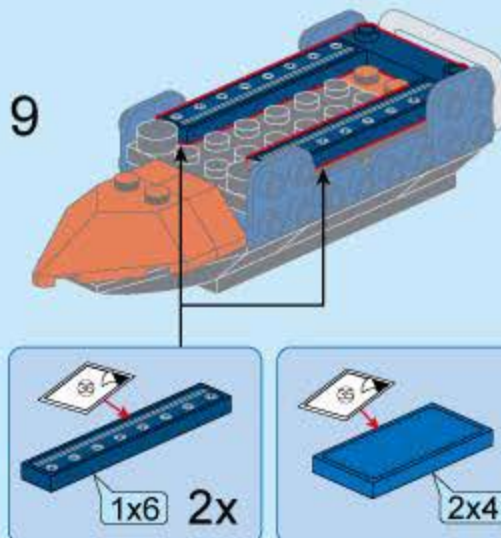
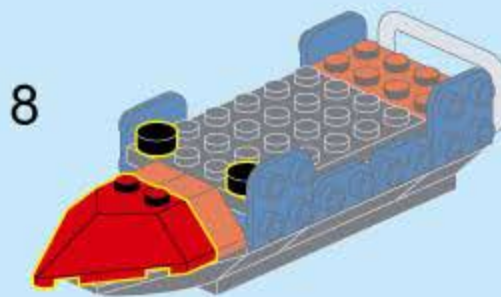
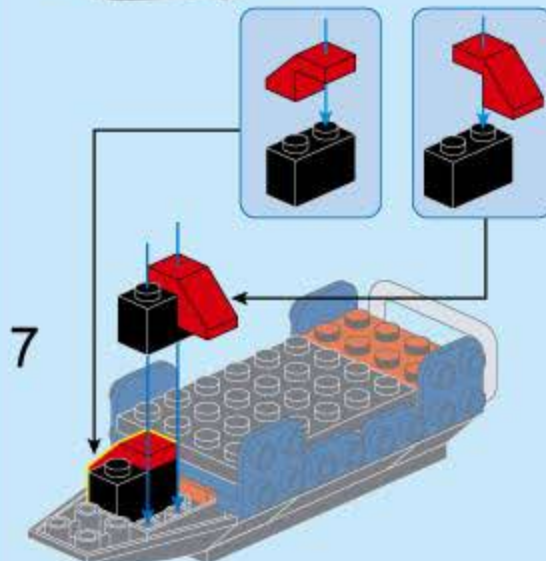
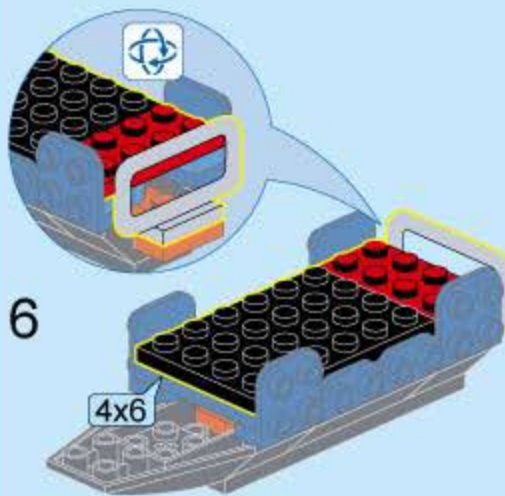
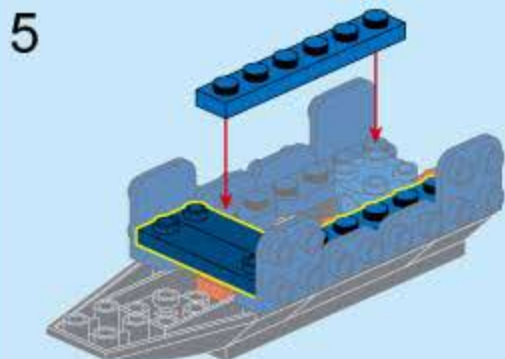
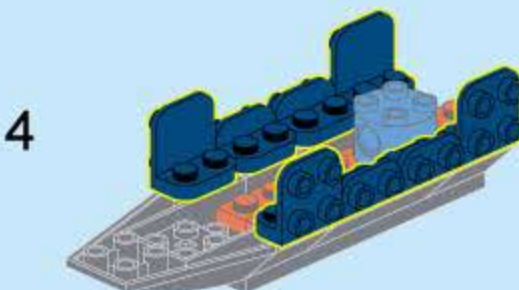
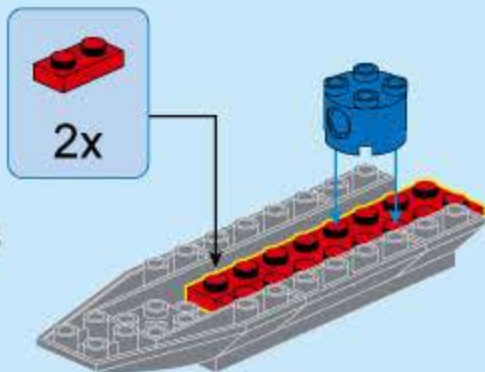
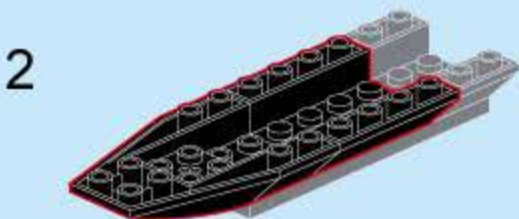
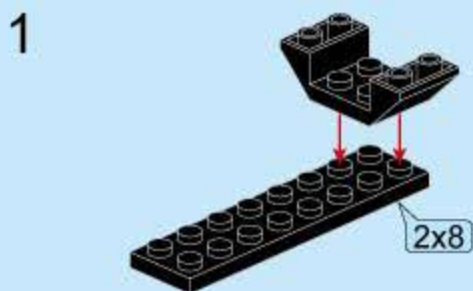
V1.0

Collect 8 designs Combine / Armament

© 2015 LEGO System A/S. All rights reserved. LEGO, the LEGO logo, the Minifigure logo and the "LEGO" brand name are trademarks of the LEGO Group.

42206-6

Ferry



42206 (8in1)

QMAN USER MANUAL

