

COMBO  
TRANS



BN1 Upgrade-Stream Train



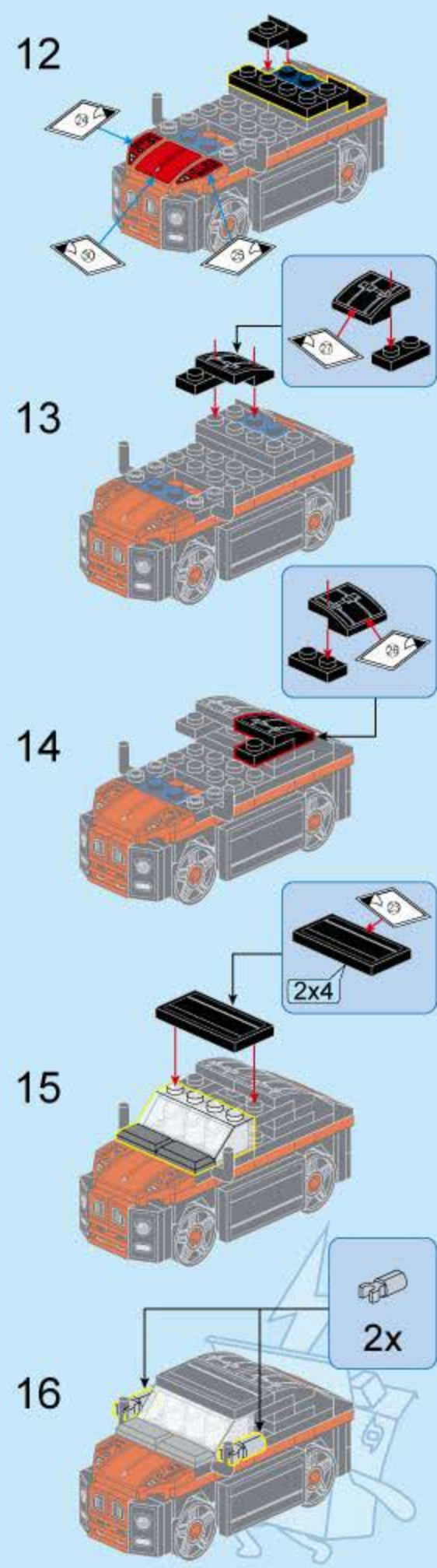
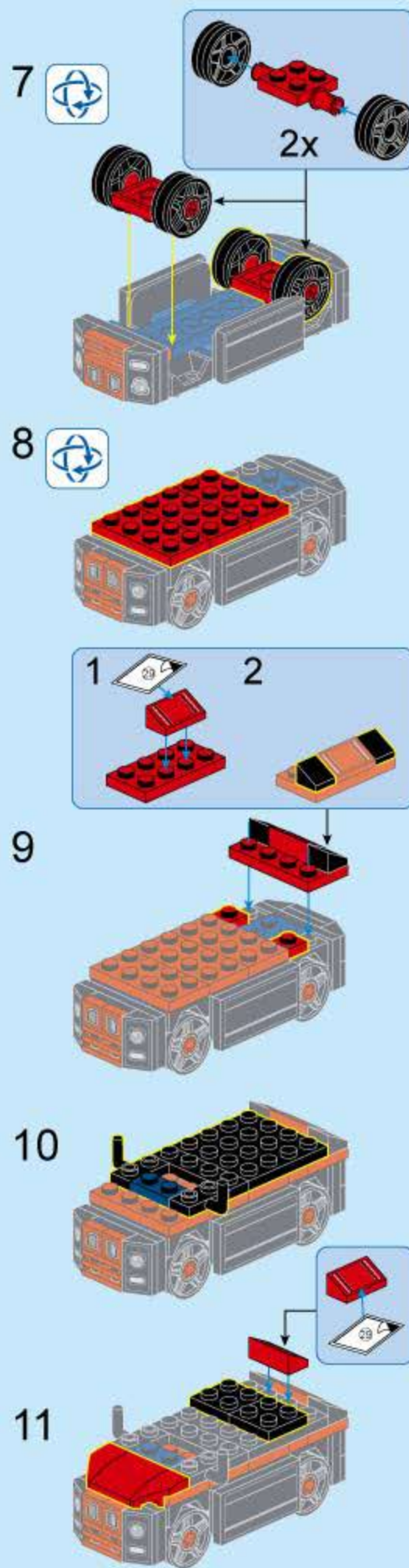
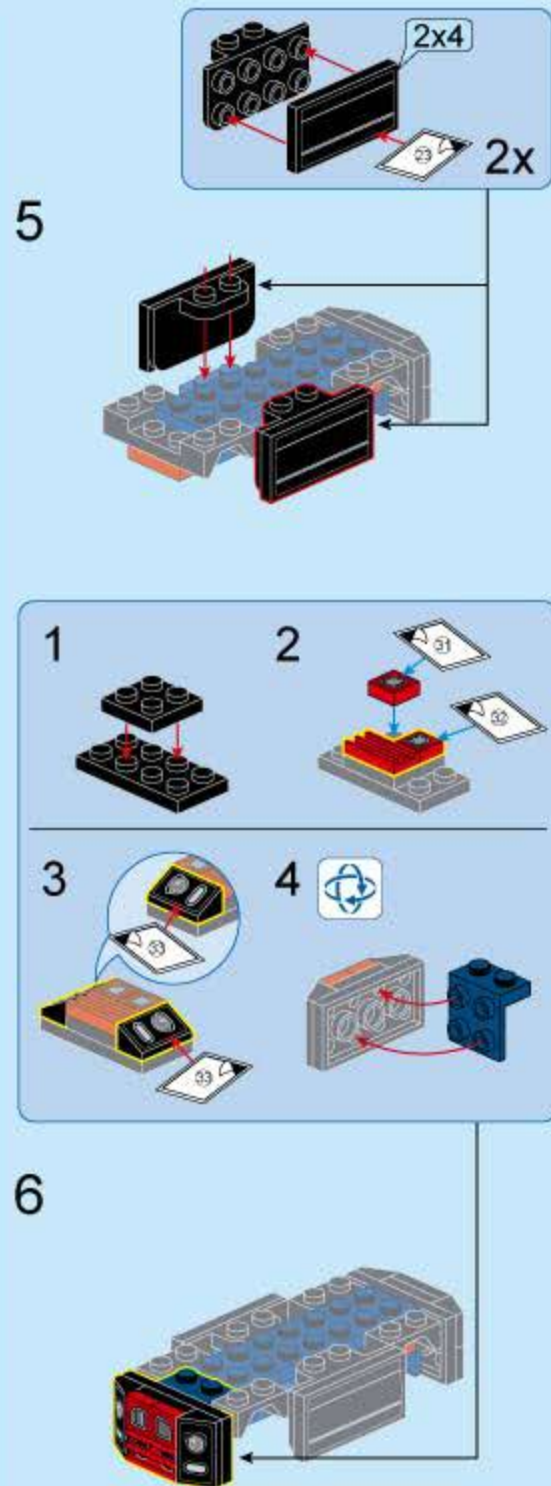
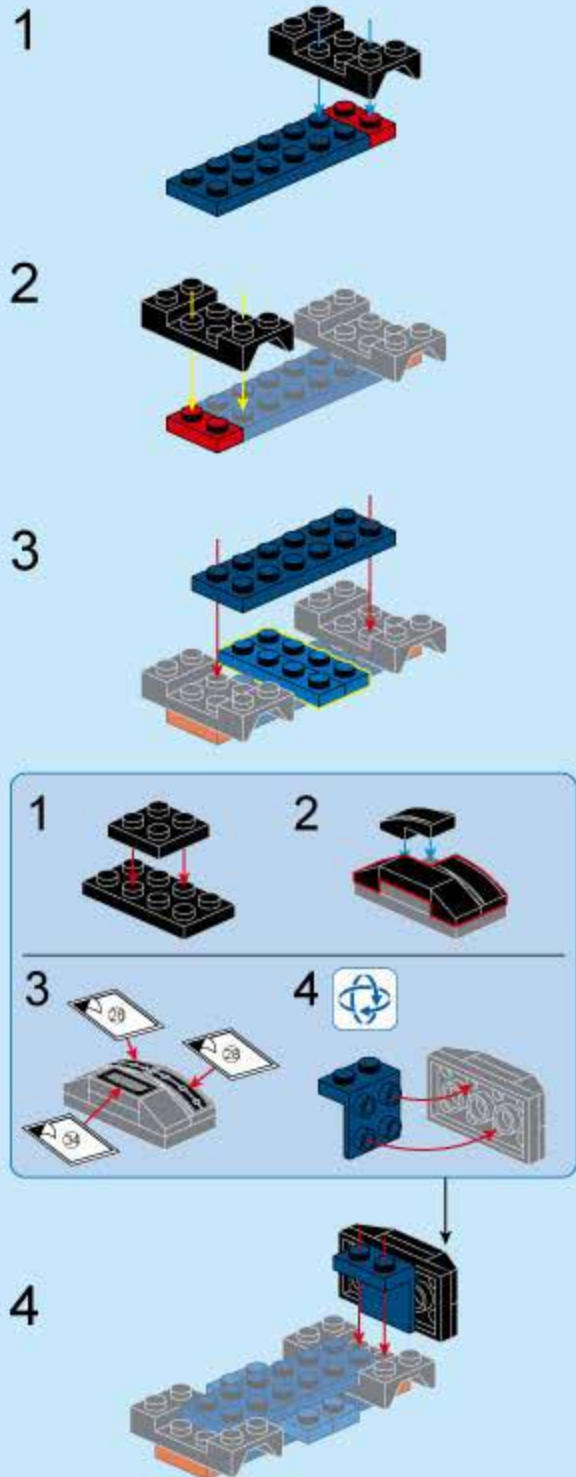
V1.0

Collect 8 designs Combine / Armament

Figures are for visual reference only. The delivered goods shall prevail.

Sedan

42206-5





# 42206 (8in1)

## QMAN USER MANUAL

