



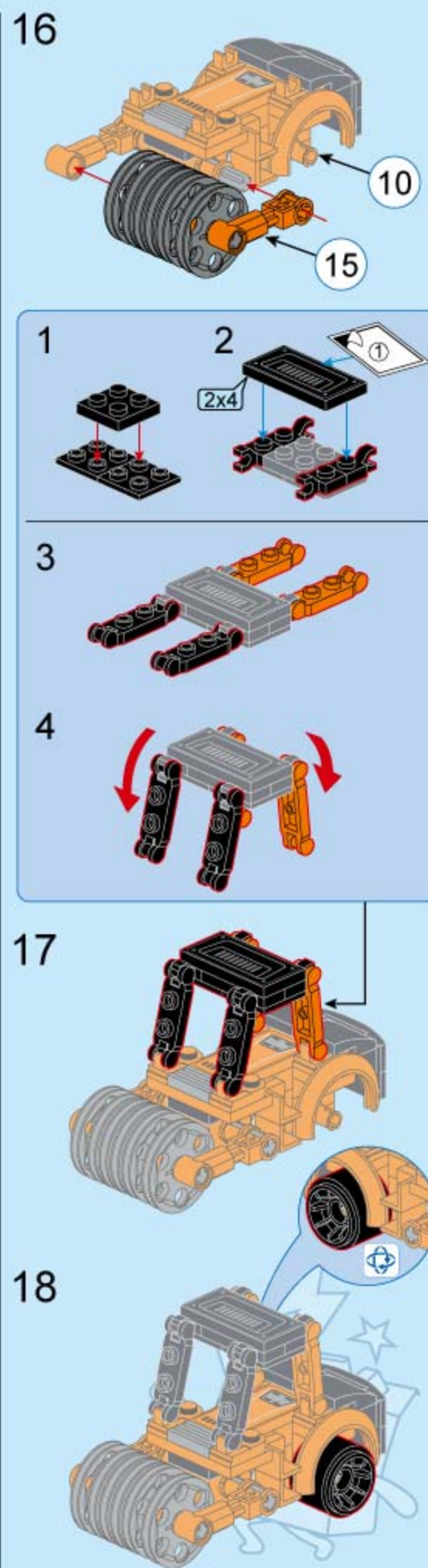
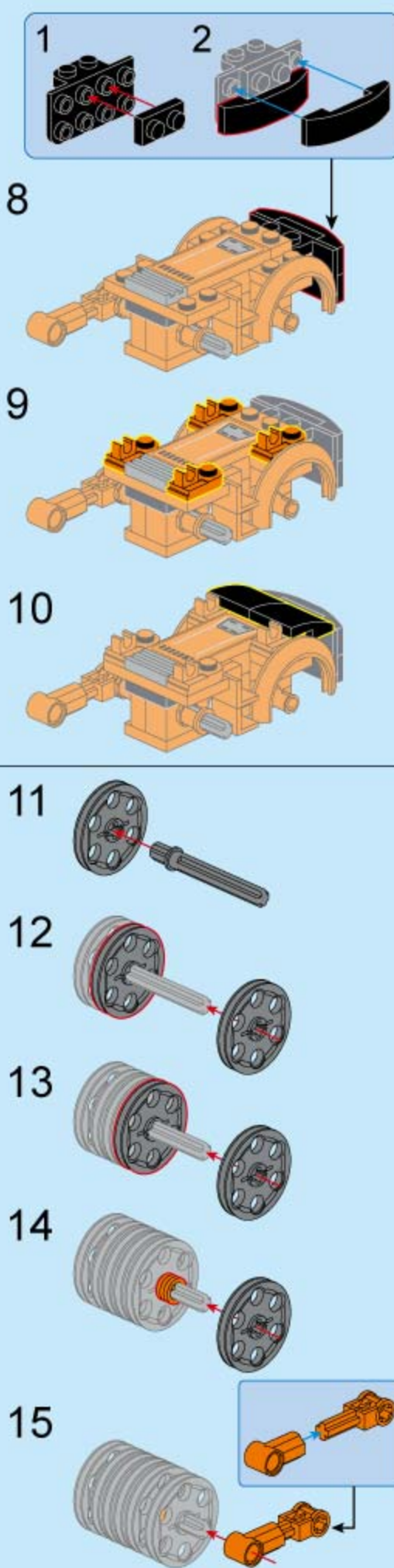
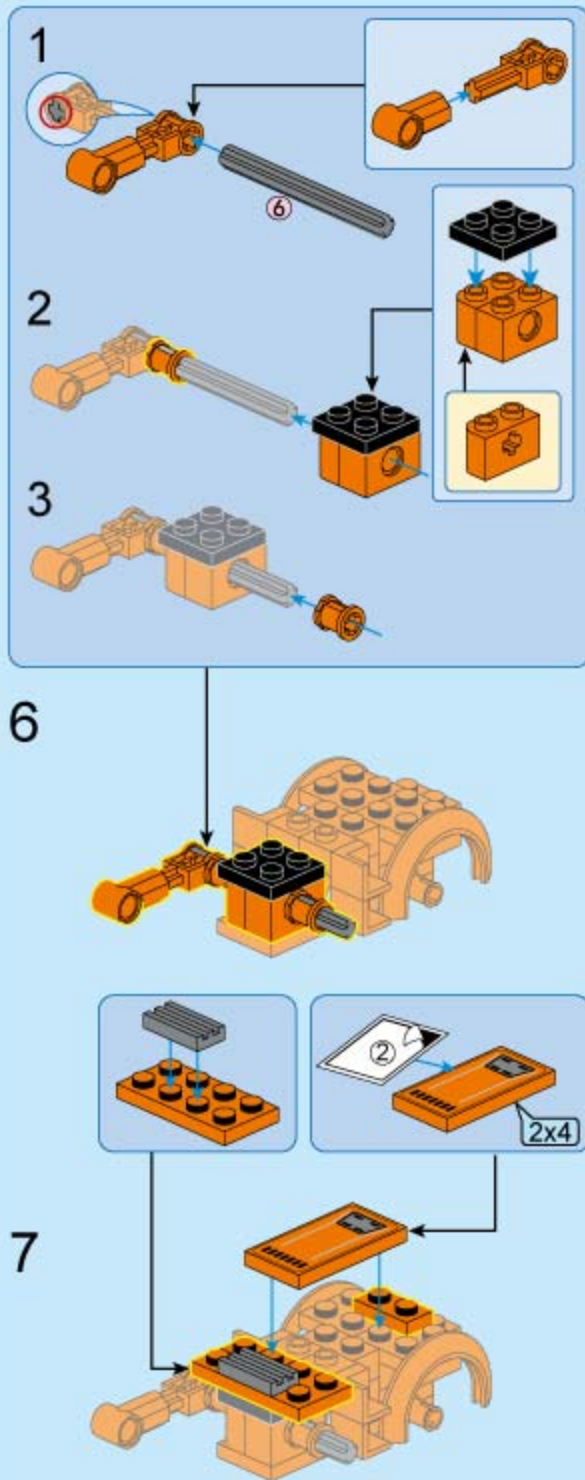
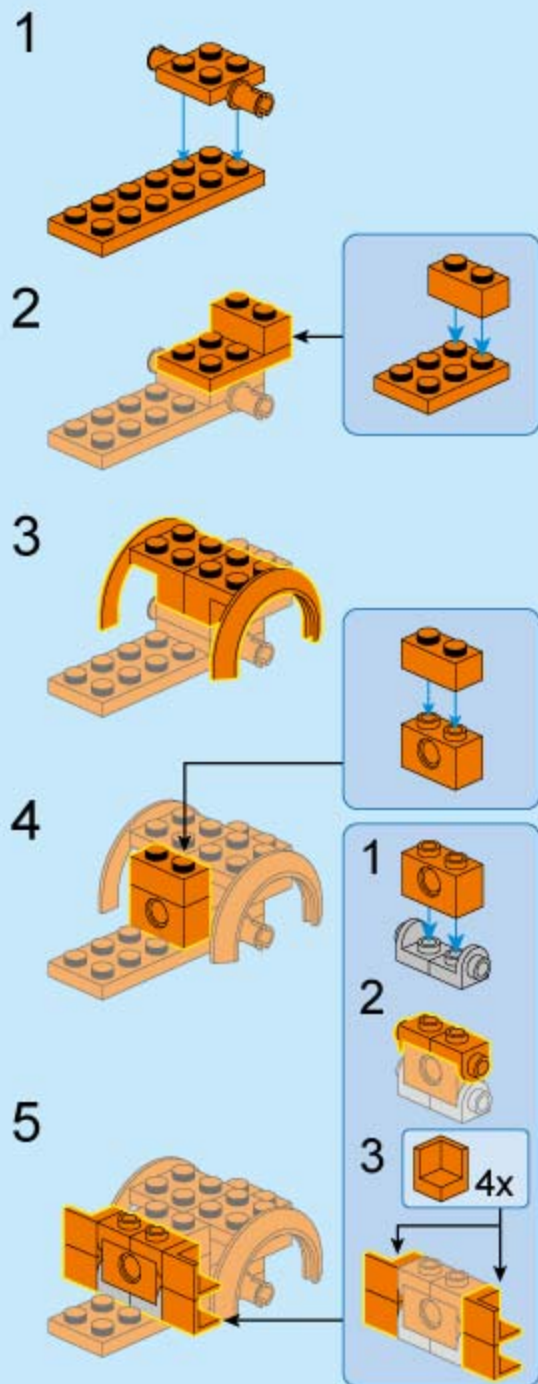
V1.0

CONSTRUCTION BEGINS
START USING
HEAVY
TRANSPORT VEHICLES

Roller

42204-1

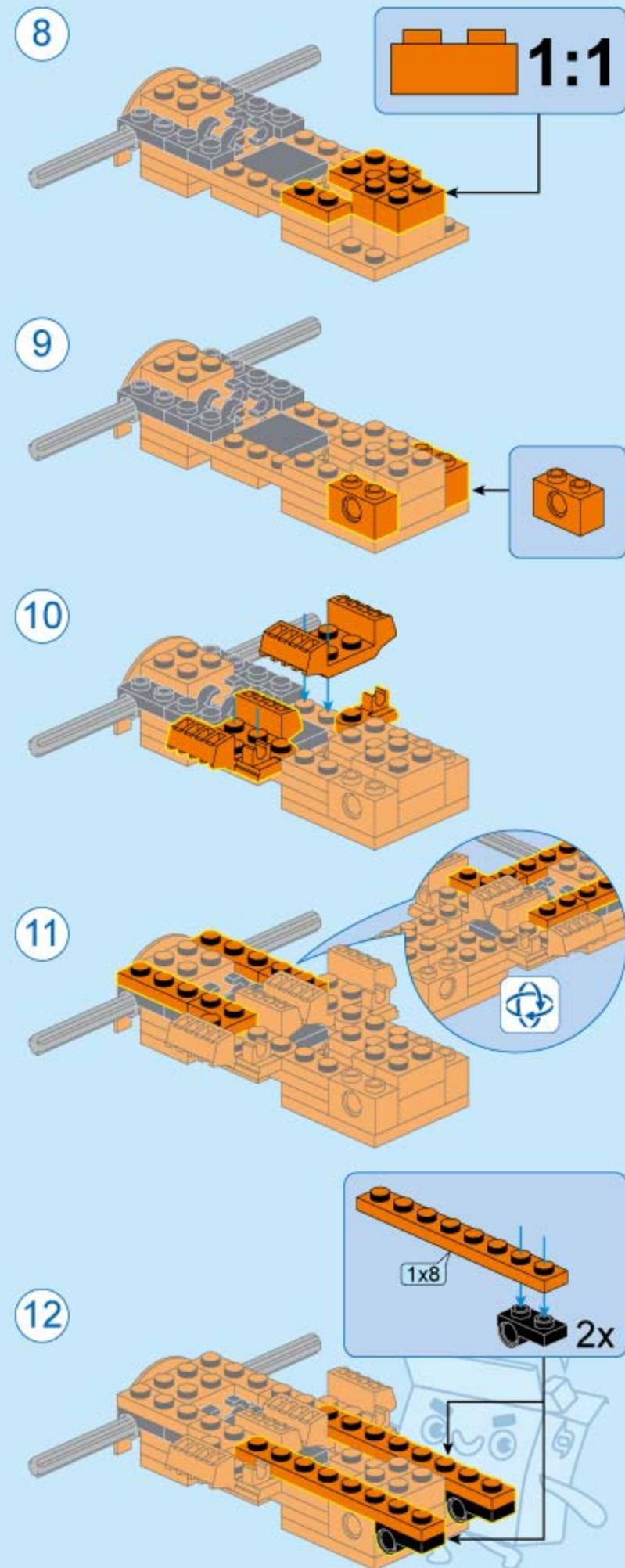
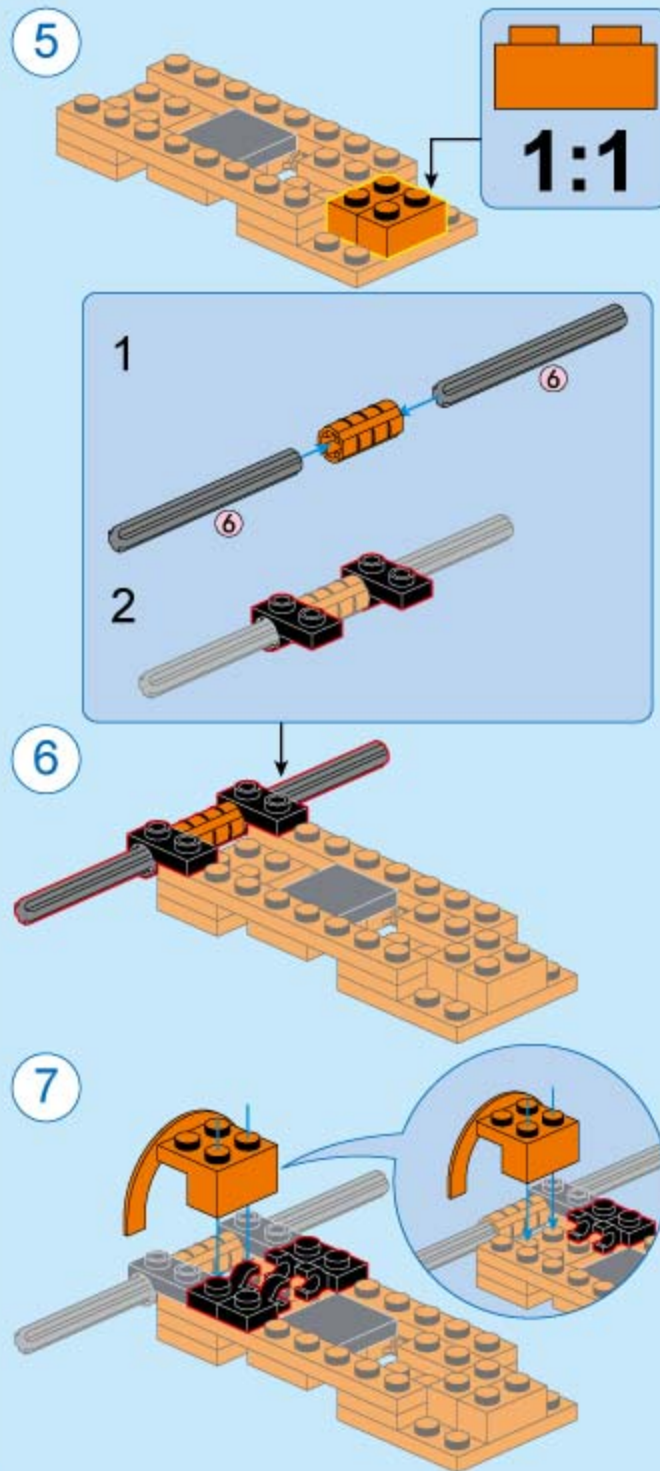
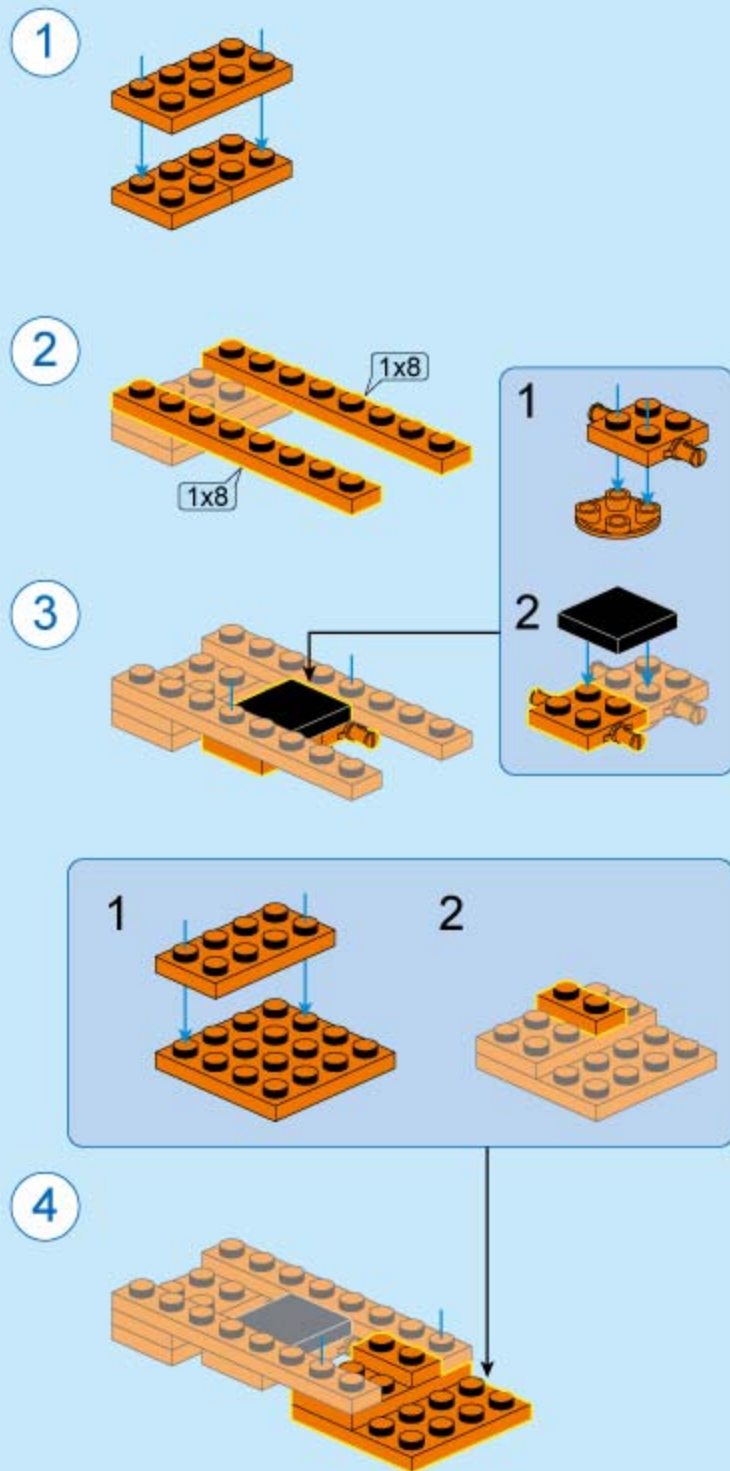
1:1





42204

Heavily Armed Transport Vehicle





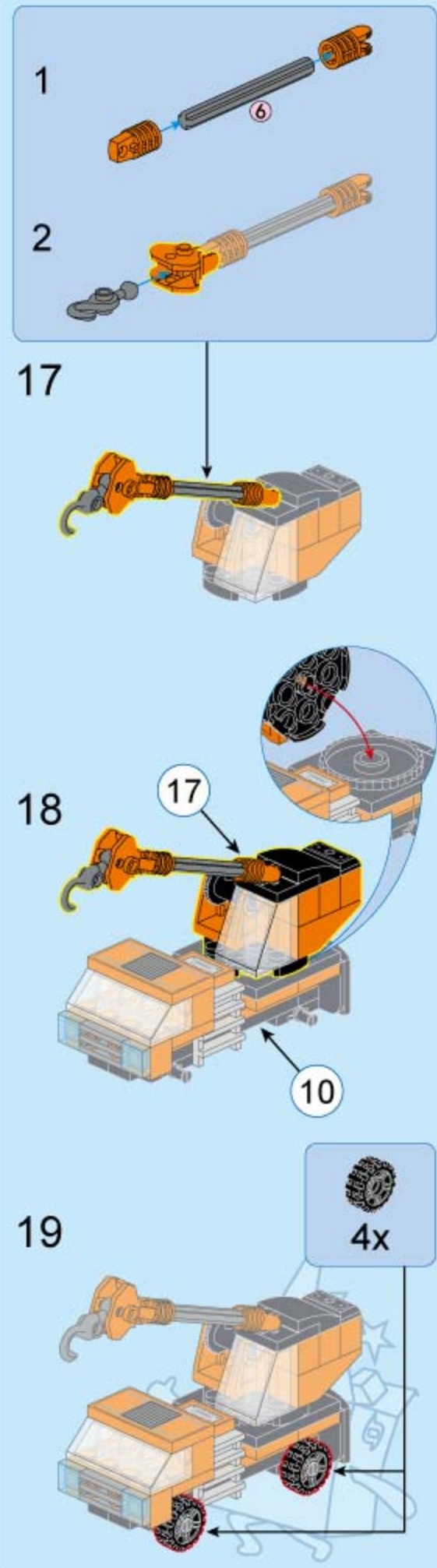
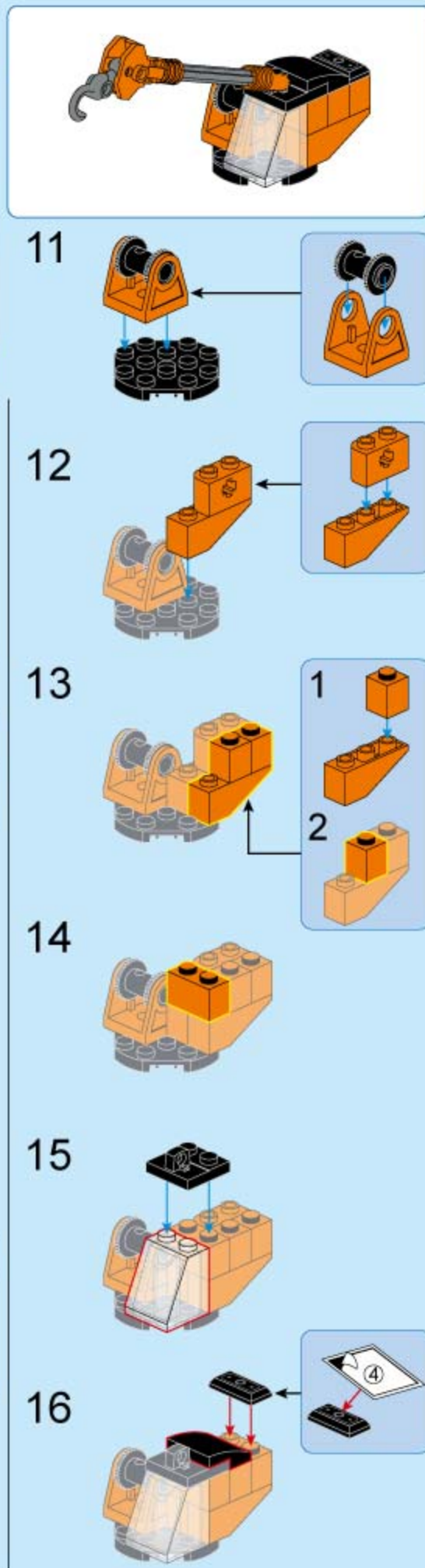
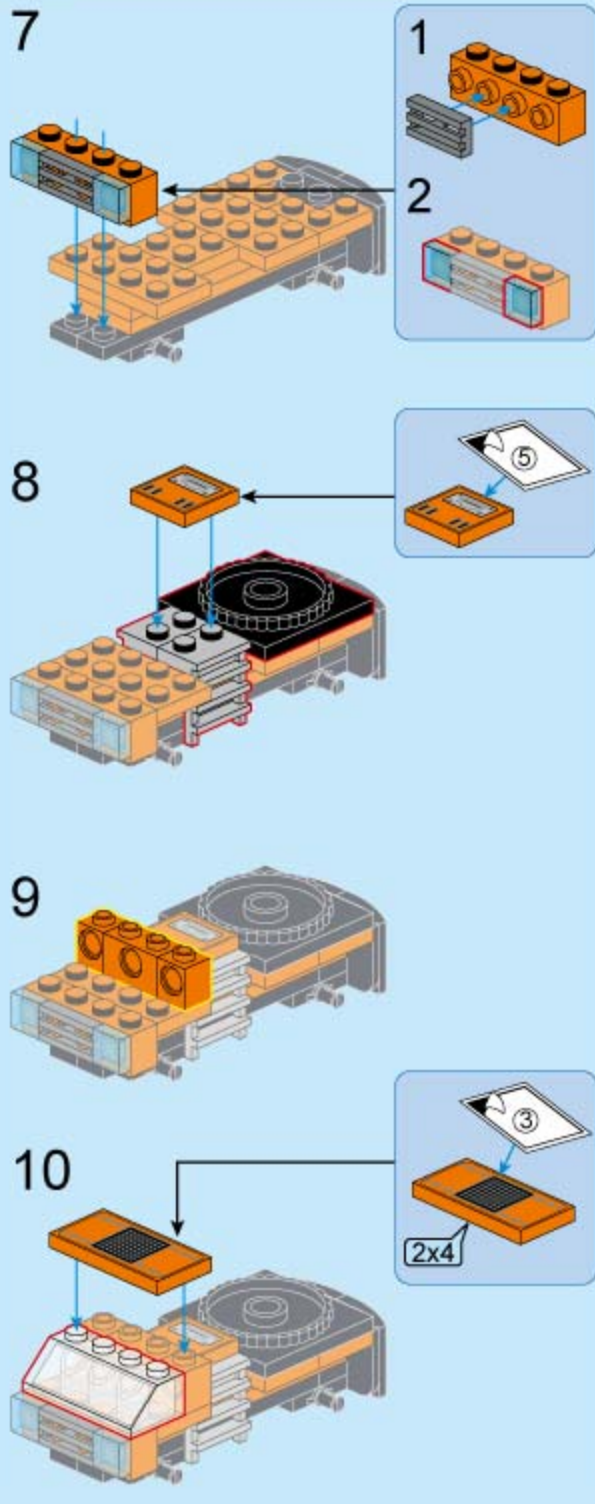
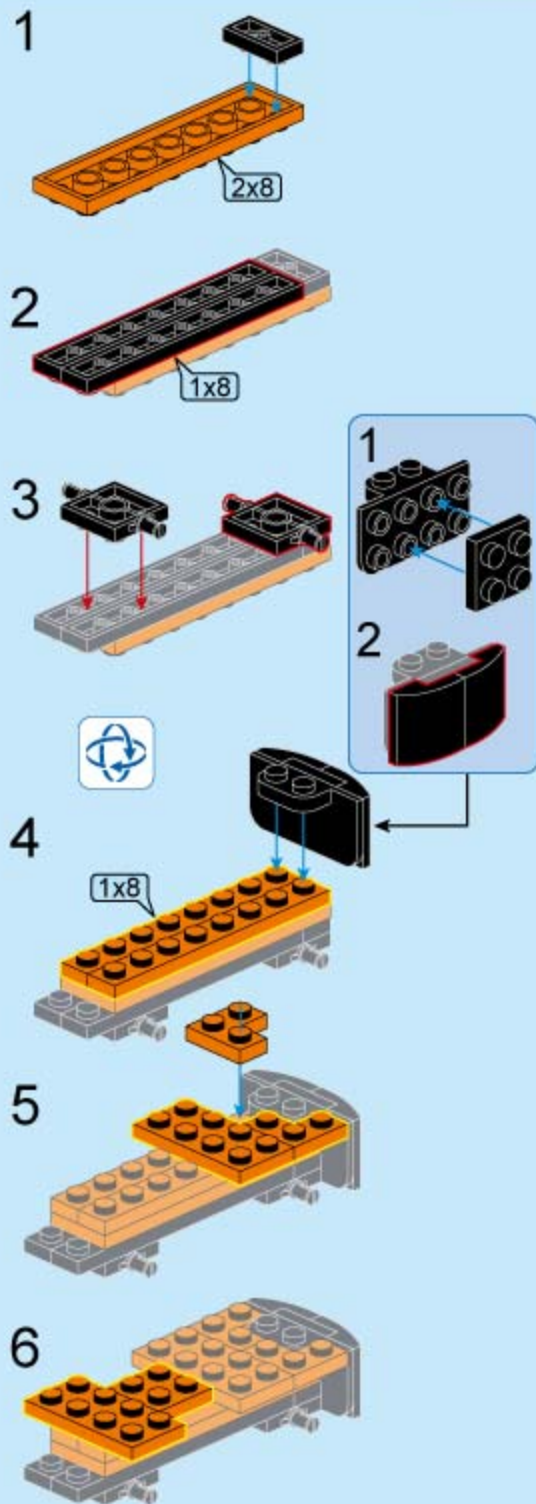
42204-2



V1.0

CONSTRUCTION BEGINS
START USING
HEAVY
TRANSPORT VEHICLES

Crane

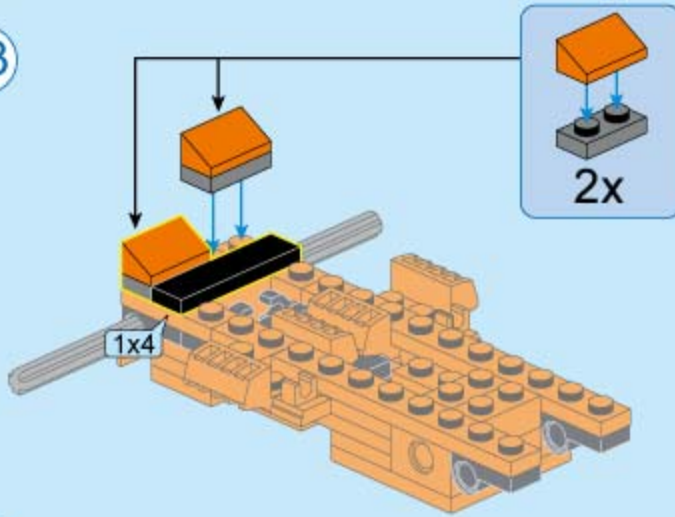




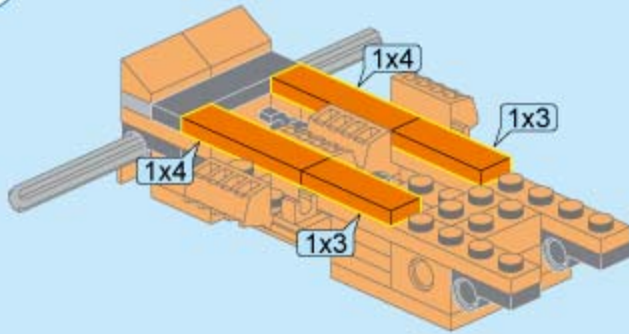
42204(8in1)

QMAN USER MANUAL

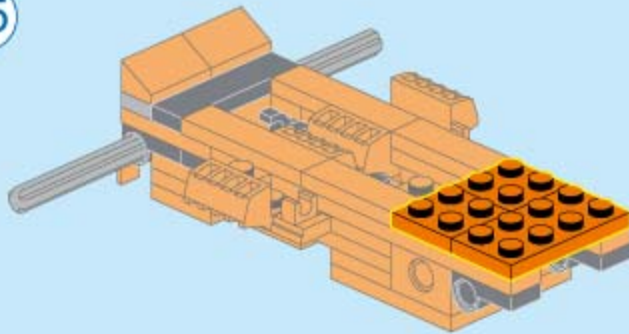
13



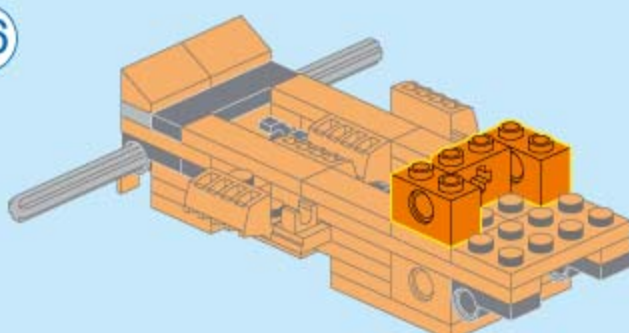
14



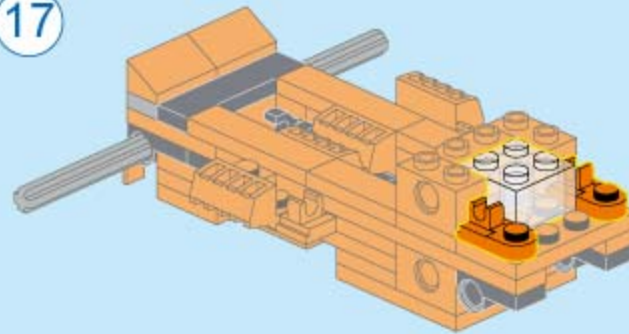
15



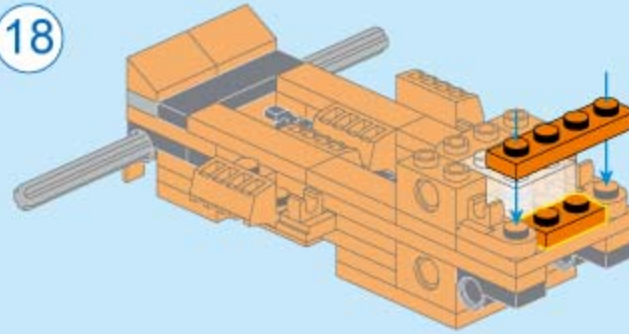
16



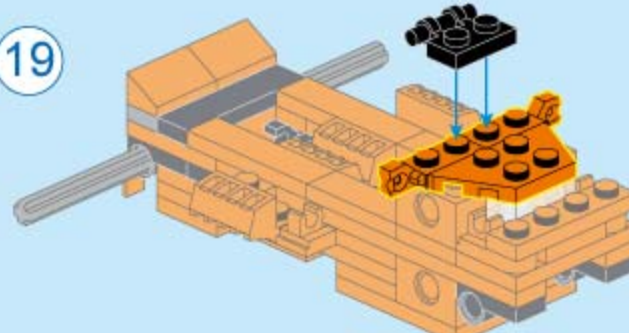
17



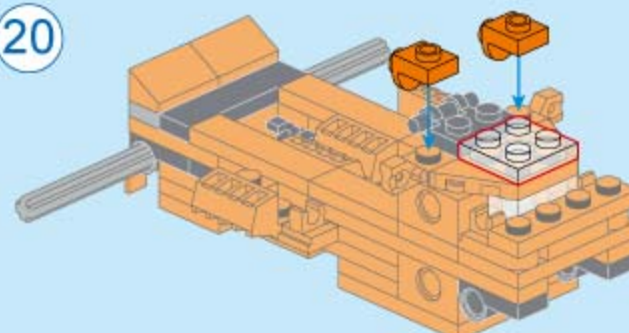
18



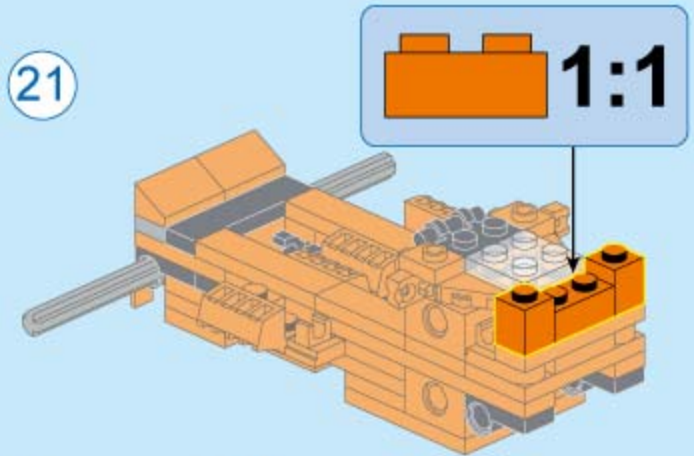
19



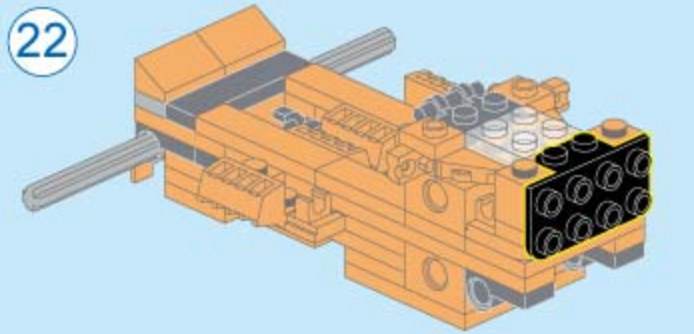
20



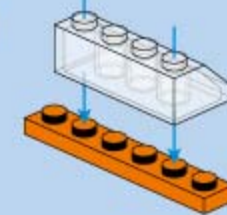
21



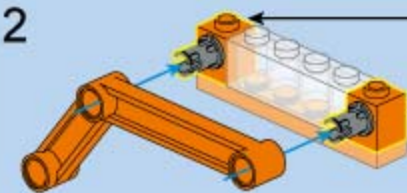
22



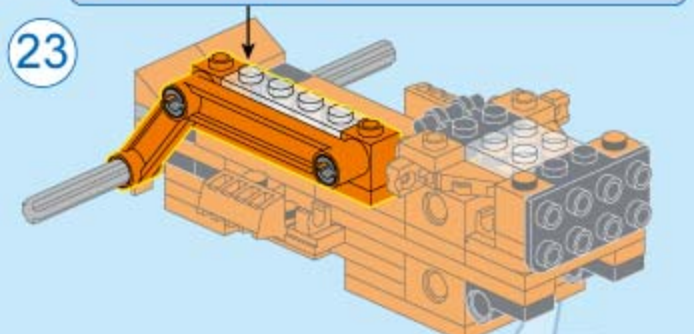
1



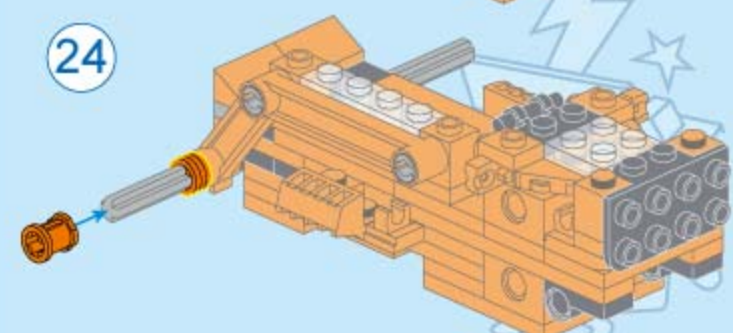
2



23



24





V1.0

CONSTRUCTION BEGINS START USING HEAVY TRANSPORT VEHICLES

42204-3

Transport truck

1

1

2

3

4

5

6

7

8

9

10

11

12

13

14

15

16

1

2

3

13

14

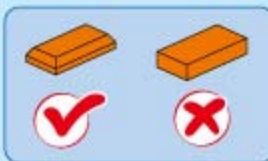
15

16



42204(8in1)

QMAN USER MANUAL



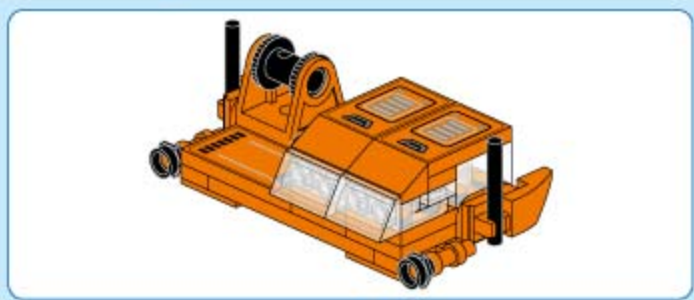
1

2

2x

25

26



27

28

29

30

31

32

33

34

35

36

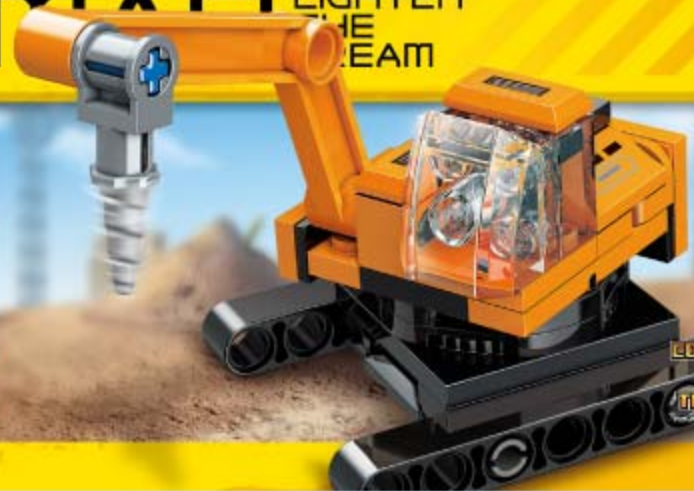
37

38

39

40

41



1

2

3

4

5

6

7

8

8

9

10

1

2

3

4

5

6

7

8

9

10

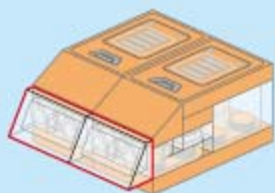
11



42204(8in1)

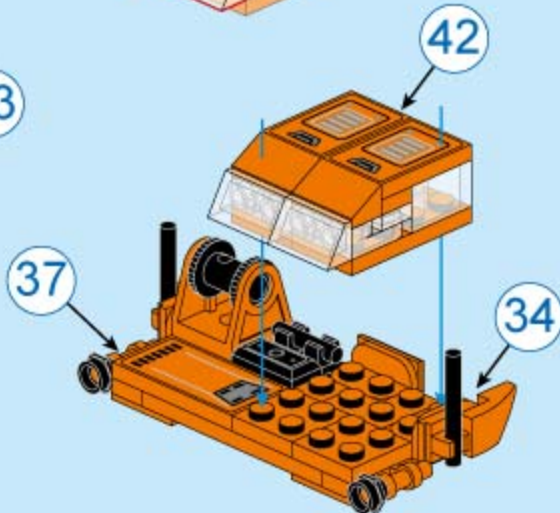
QMAN USER MANUAL

42

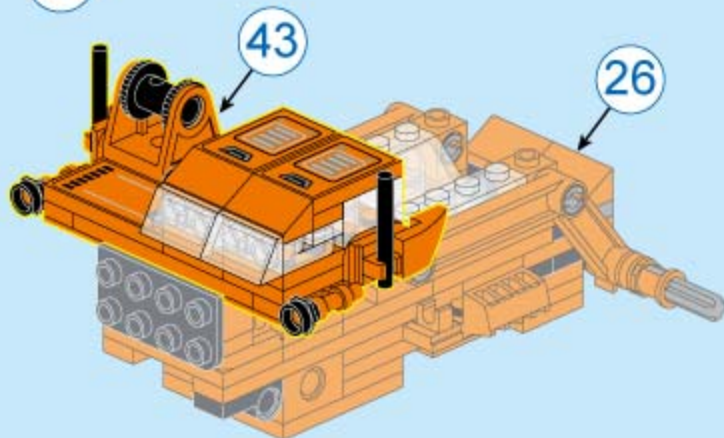


42

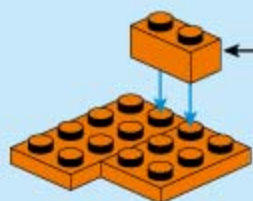
43



44

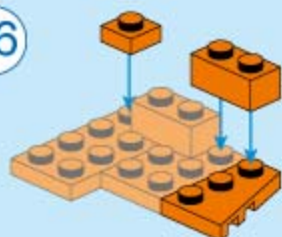


45



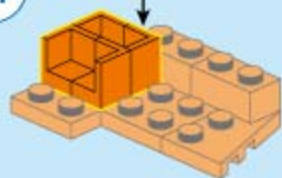
1:1

46



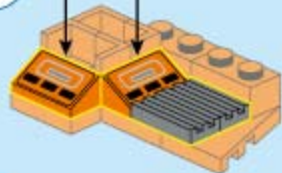
1:1

47



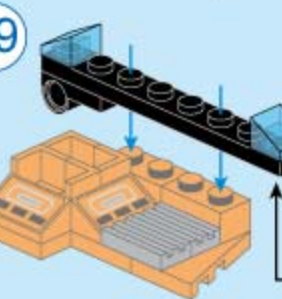
4x

48



2x

49

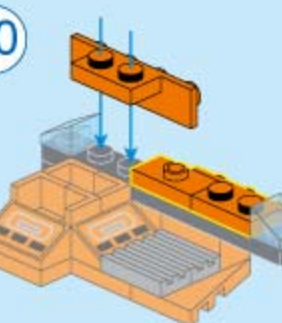


1

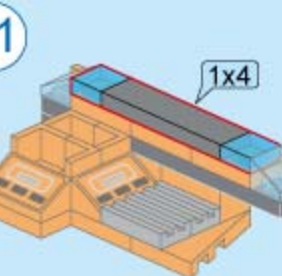
1x8

2

50

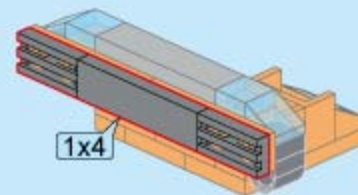


51



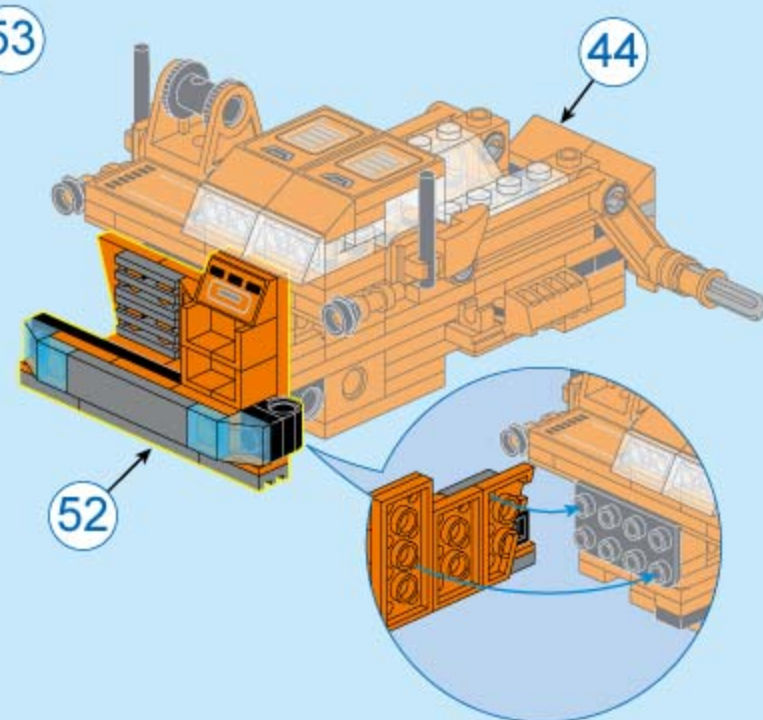
1x4

52



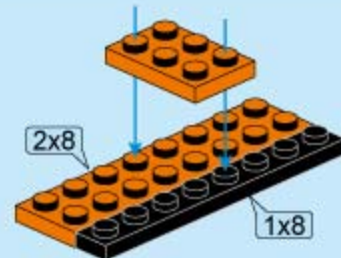
1x4

53



52

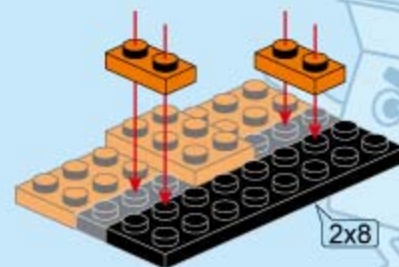
54



2x8

1x8

55



2x8





Heavily Armed Transport Vehicle

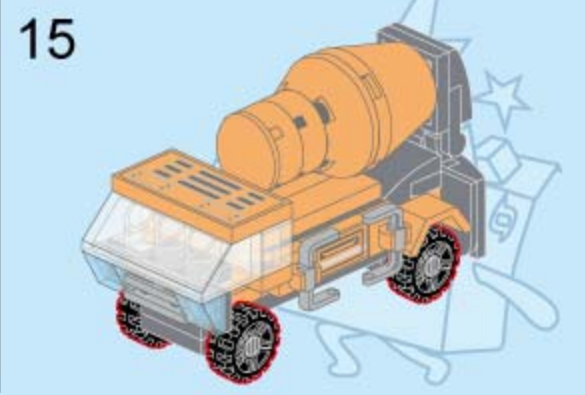
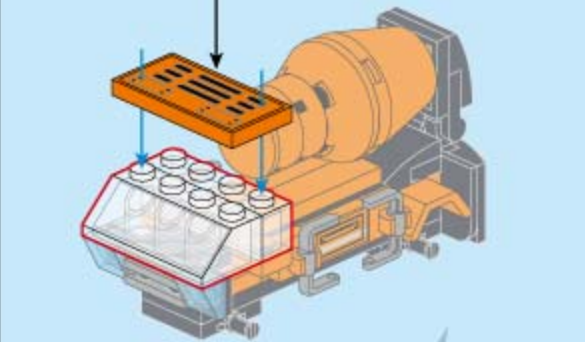
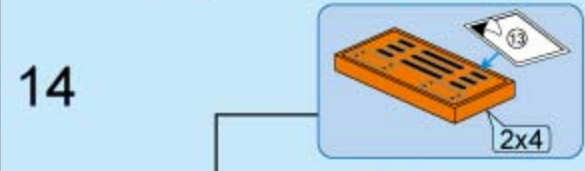
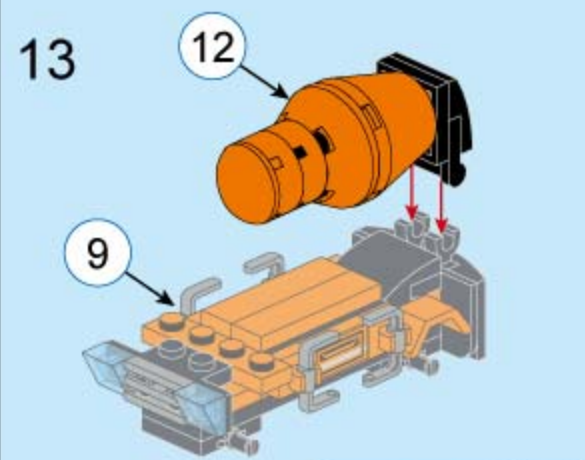
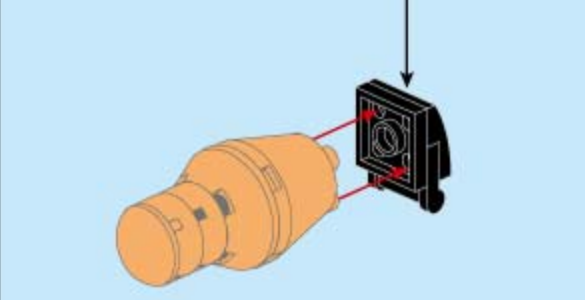
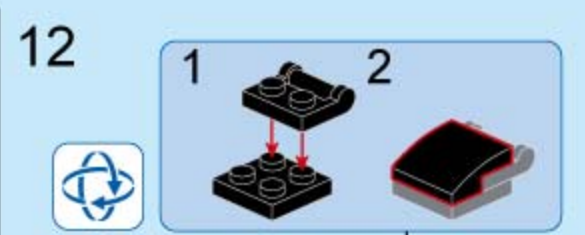
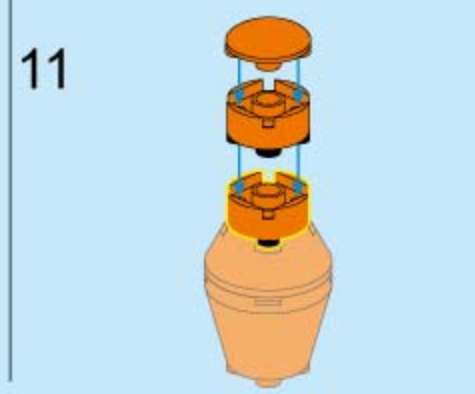
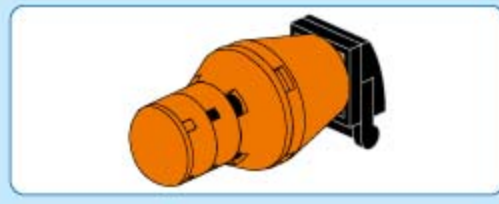
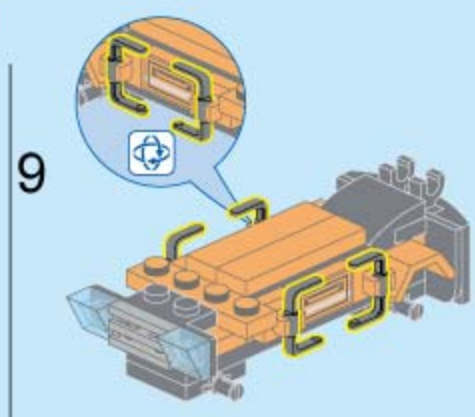
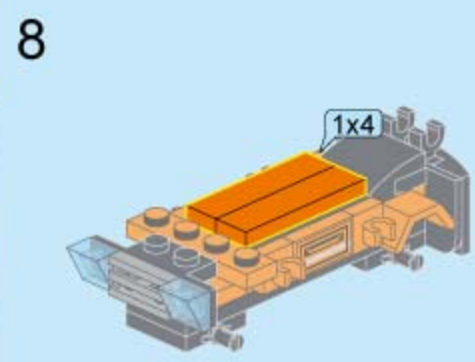
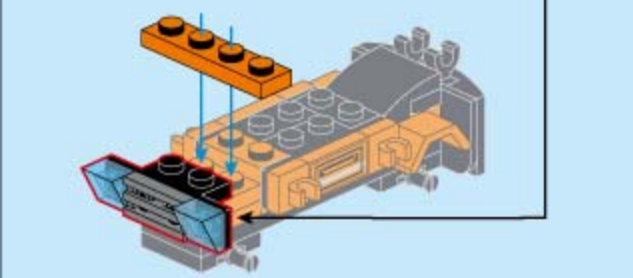
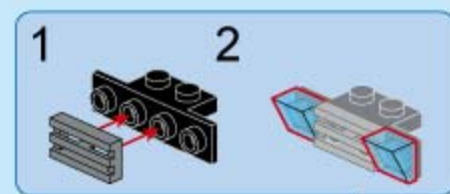
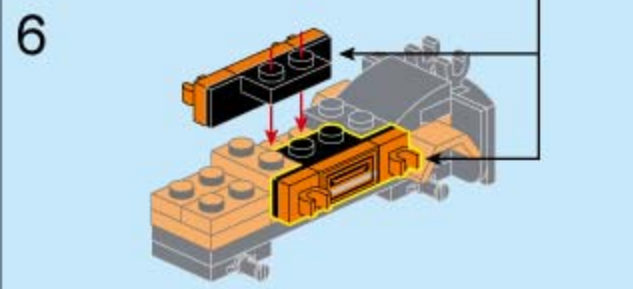
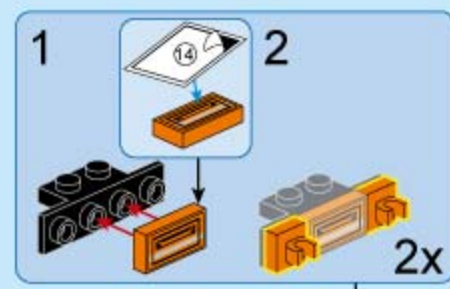
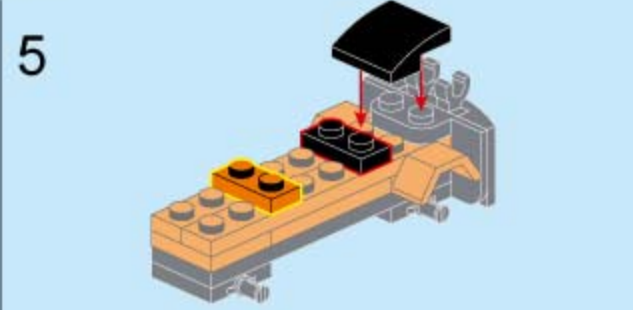
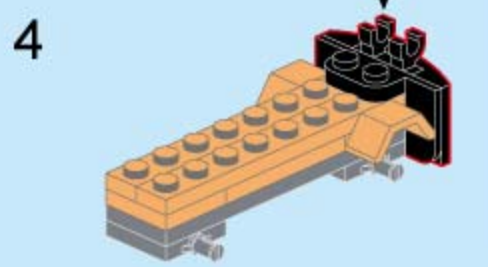
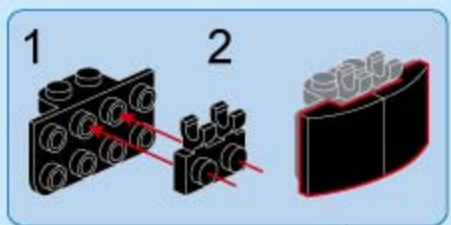
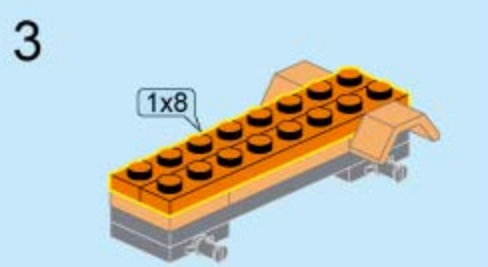
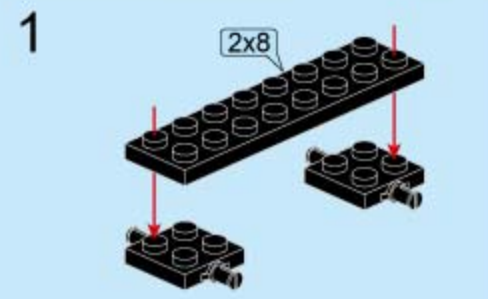


V1.0

CONSTRUCTION BEGINS START USING HEAVY TRANSPORT VEHICLES

42204-5

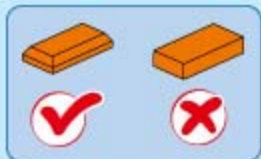
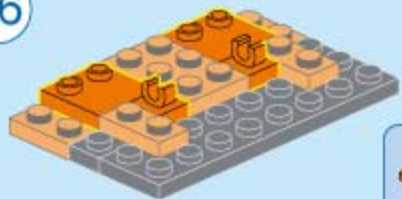
Mixer truck



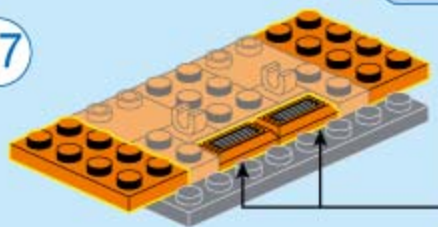


42204(8in1) QMAN USER MANUAL

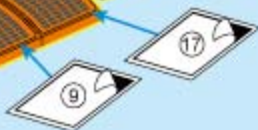
56



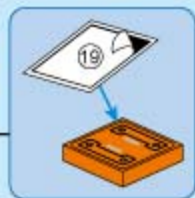
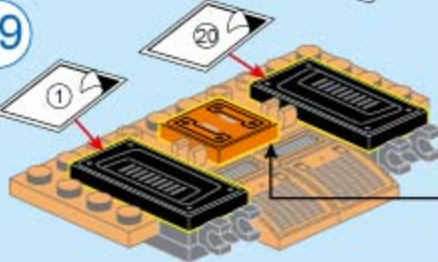
57



58



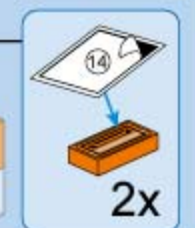
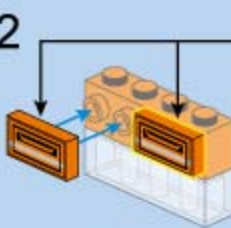
59



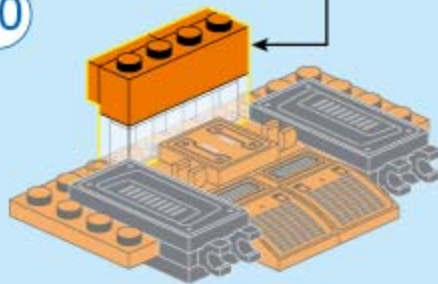
1



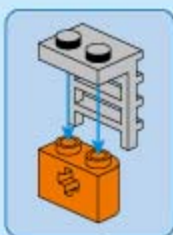
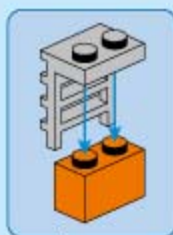
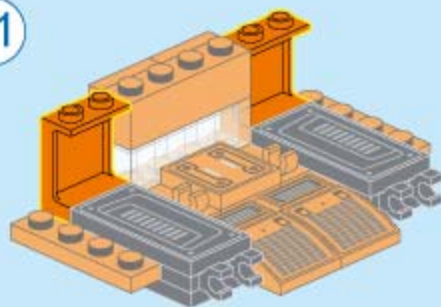
2



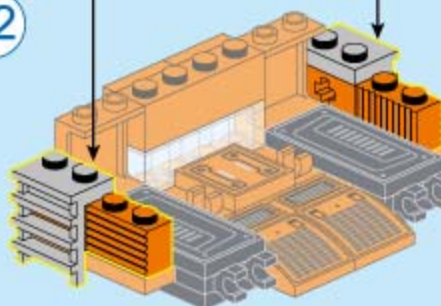
60



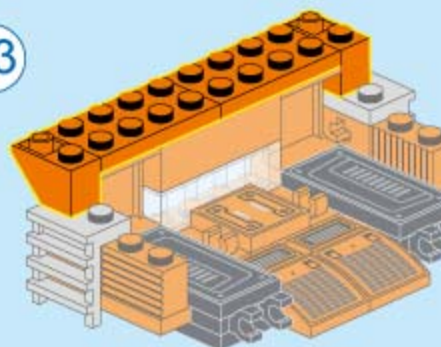
61



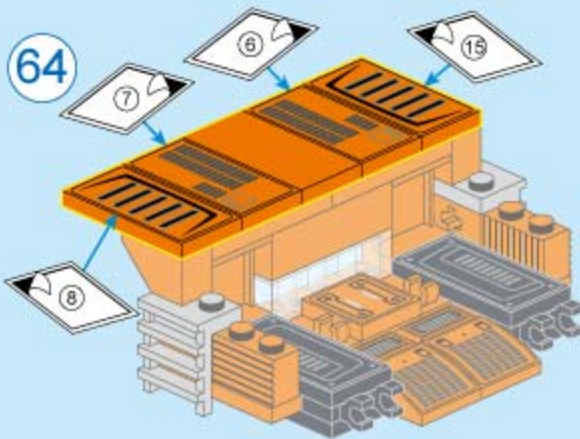
62



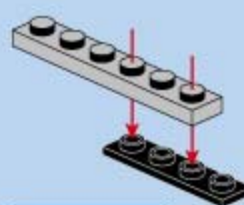
63



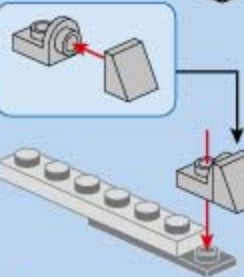
64



1



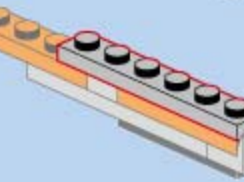
2



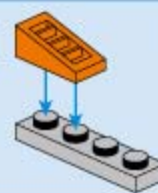
3



4



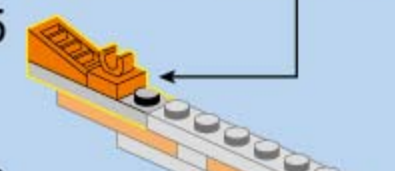
1



2



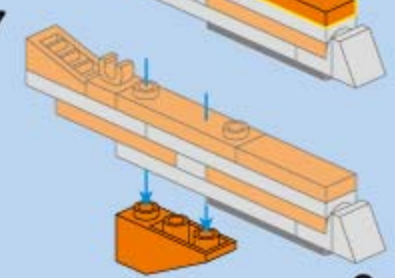
5



6



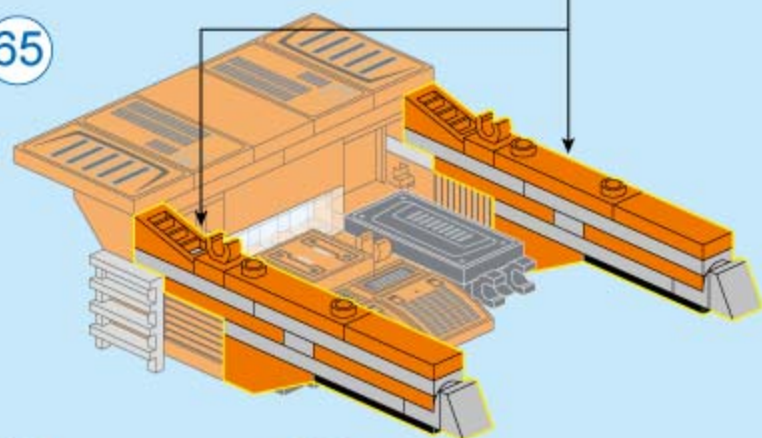
7



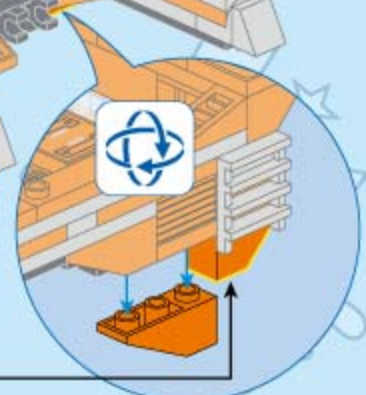
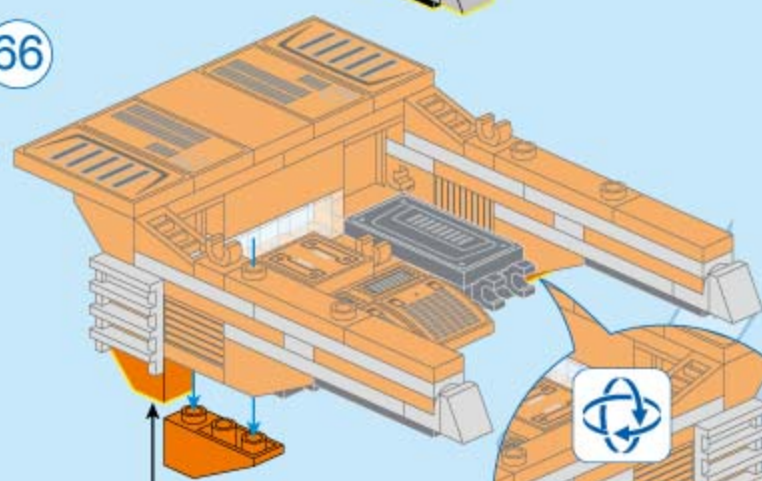
1x3

2x

65



66



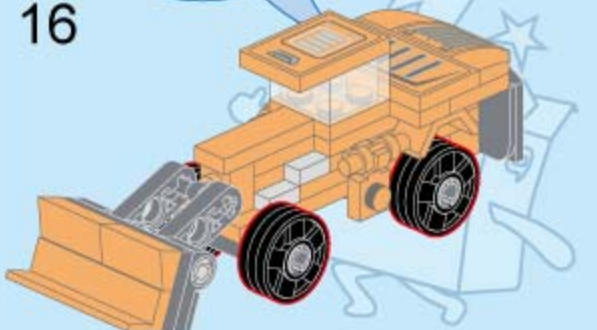
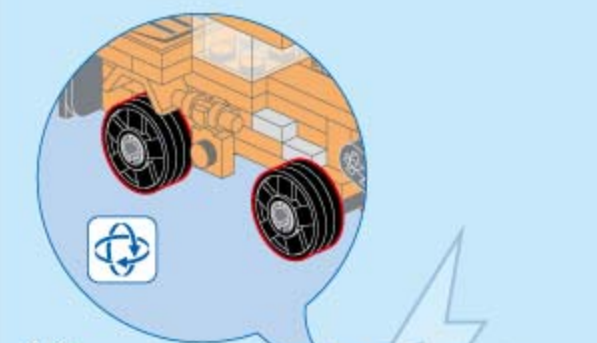
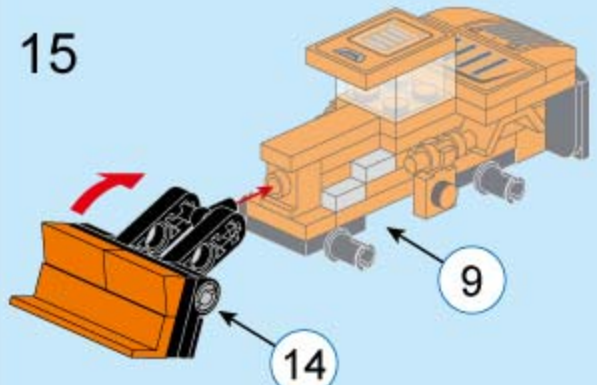
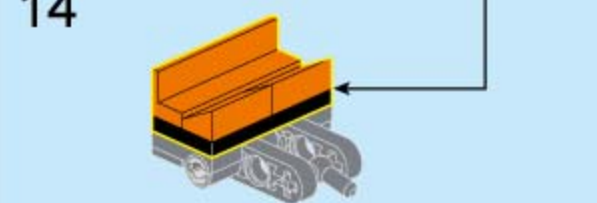
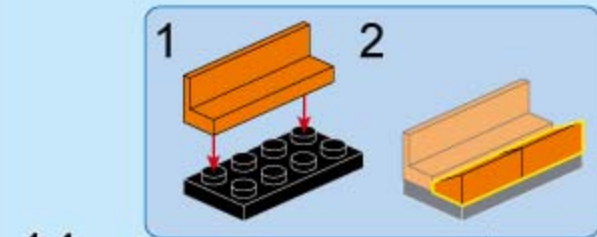
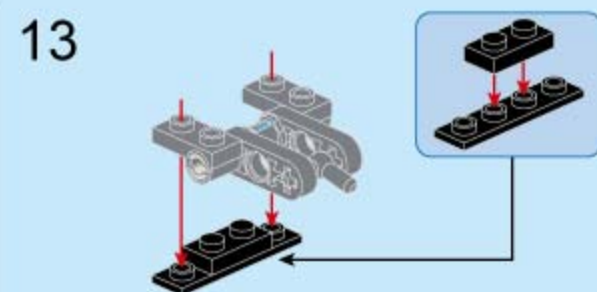
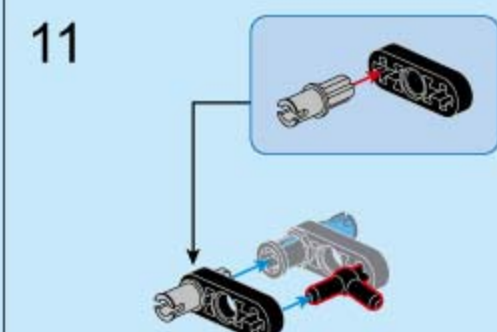
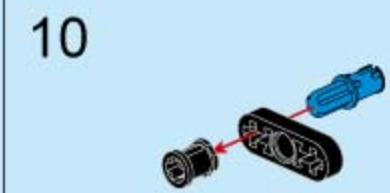
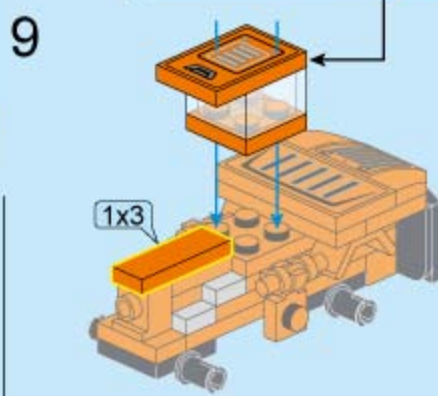
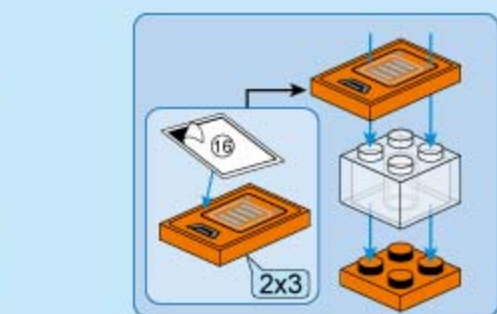
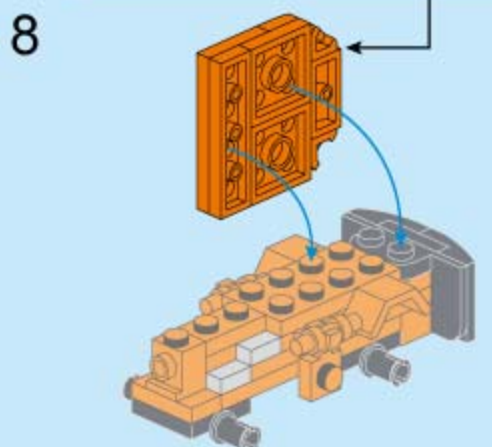
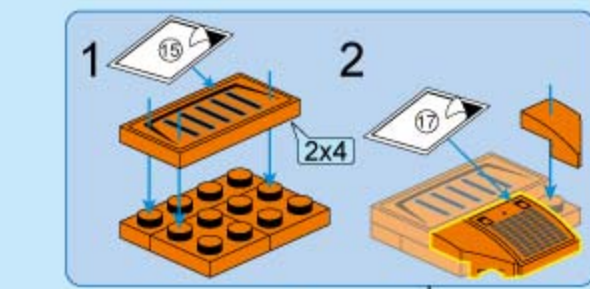
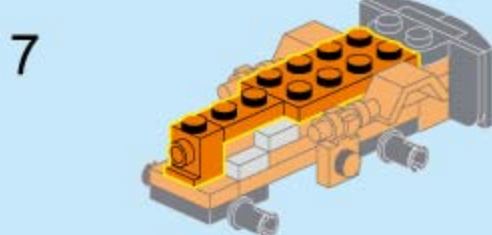
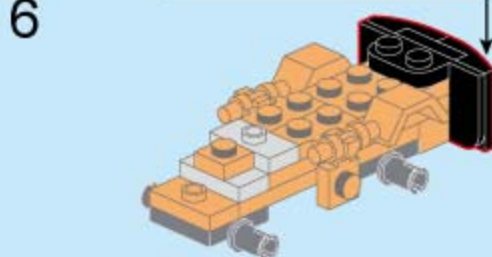
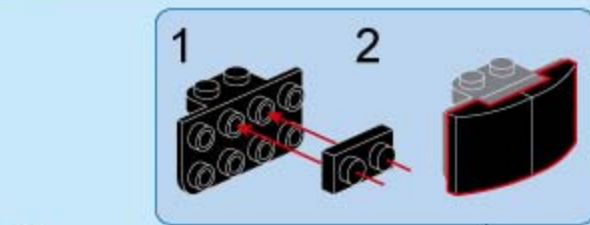
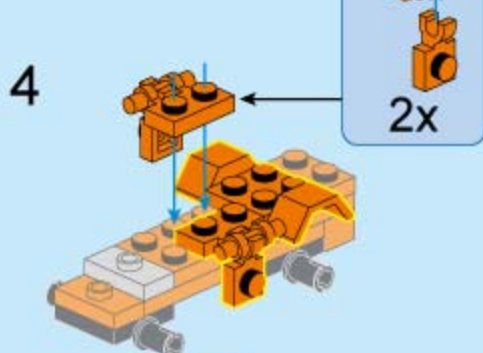
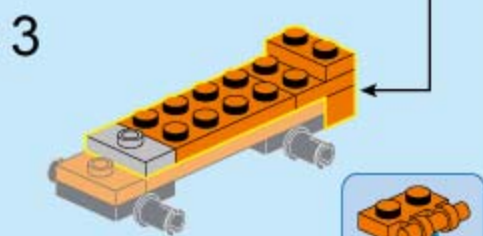
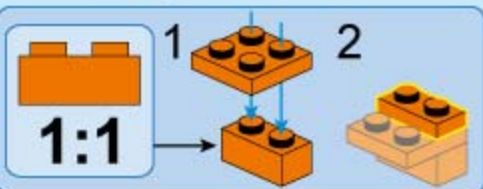
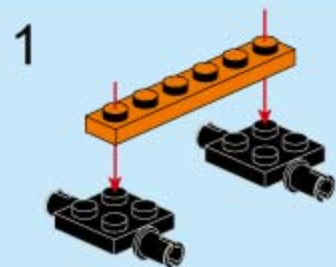


V1.0

CONSTRUCTION BEGINS
START USING
HEAVY
TRANSPORT VEHICLES

42204-6

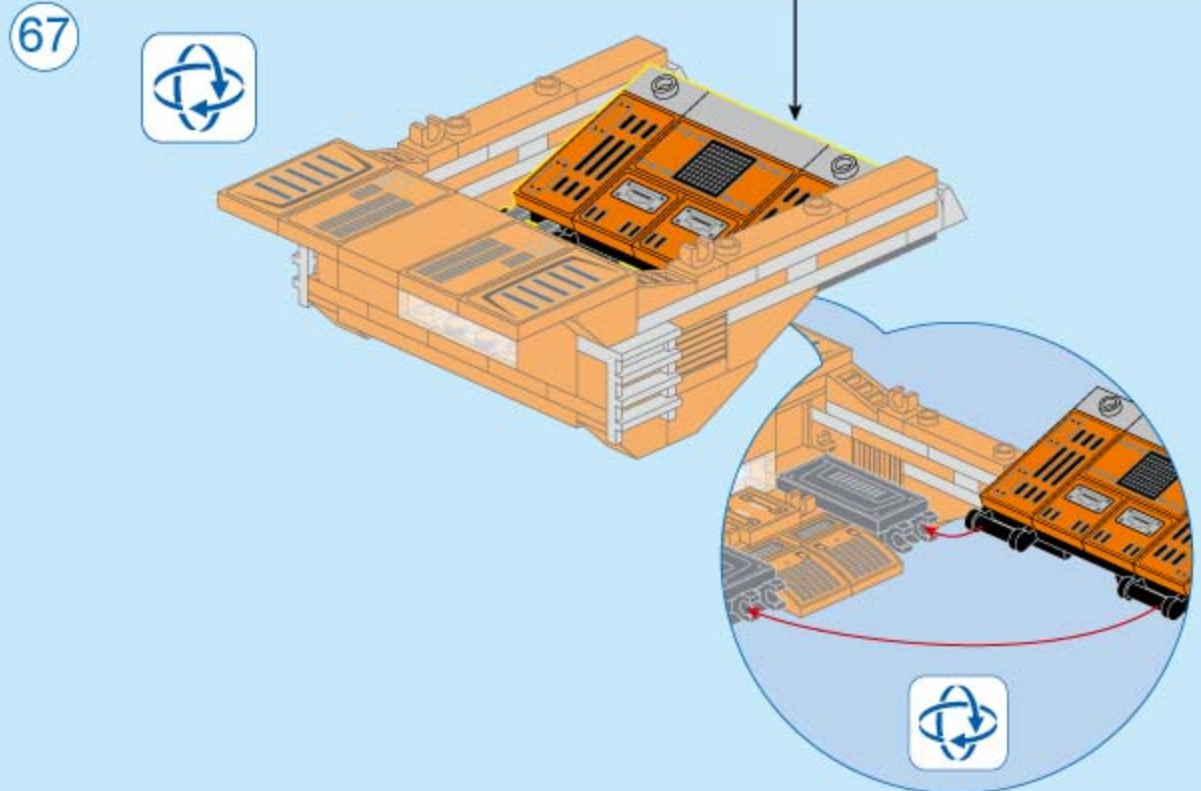
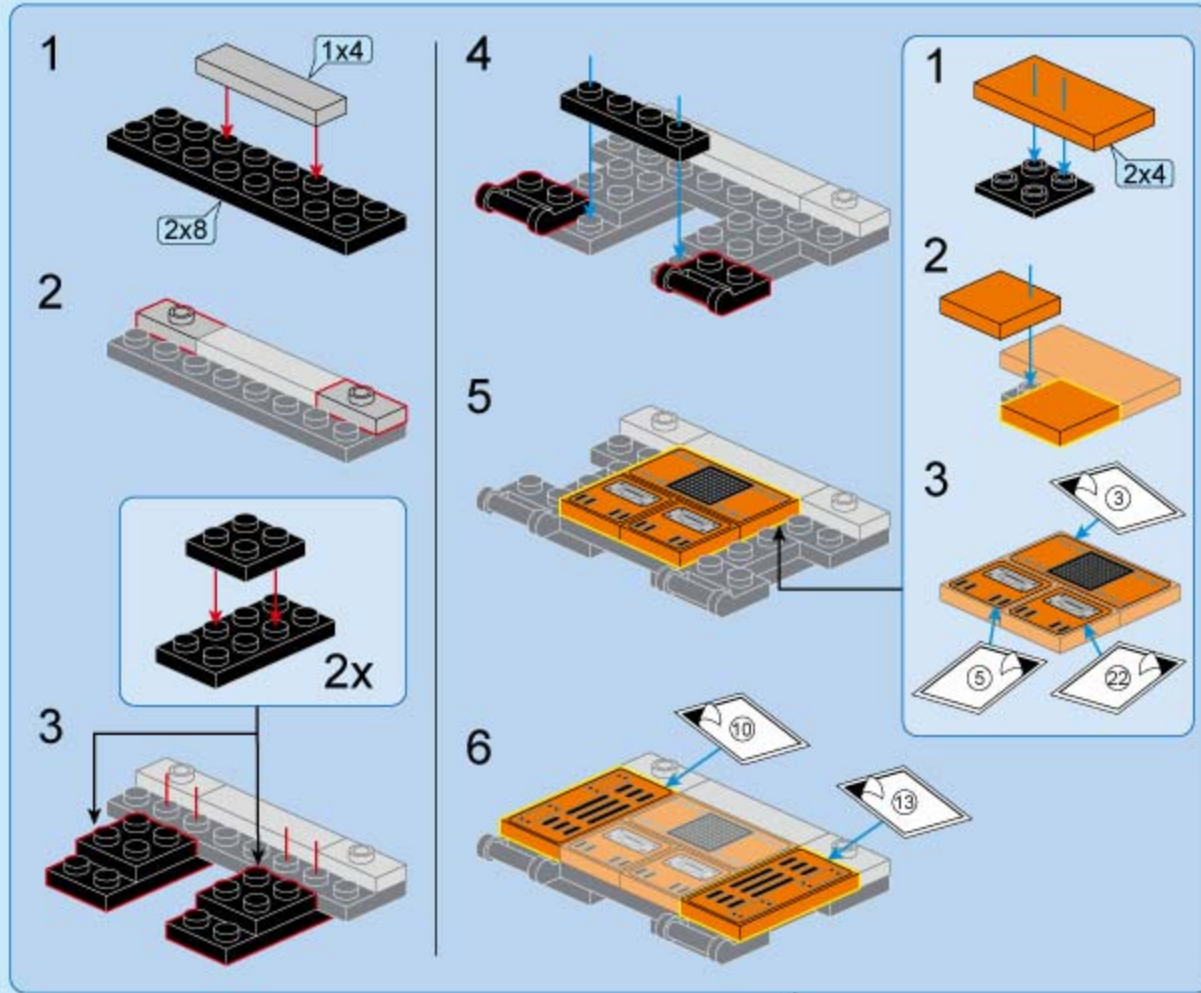
Bulldozer



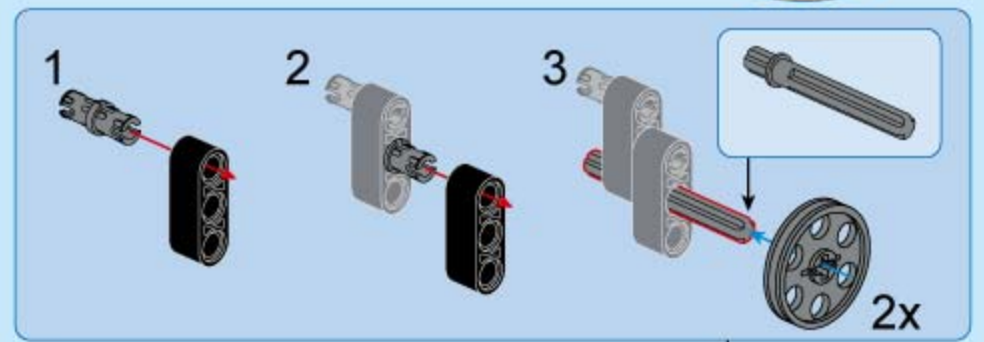
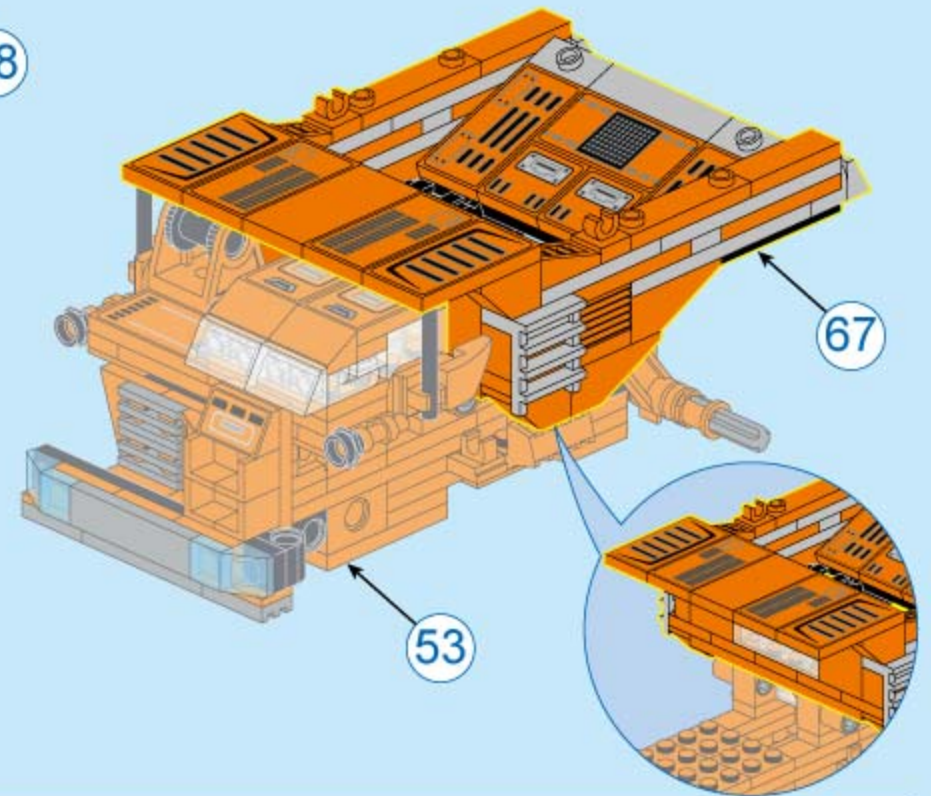


42204(8in1)

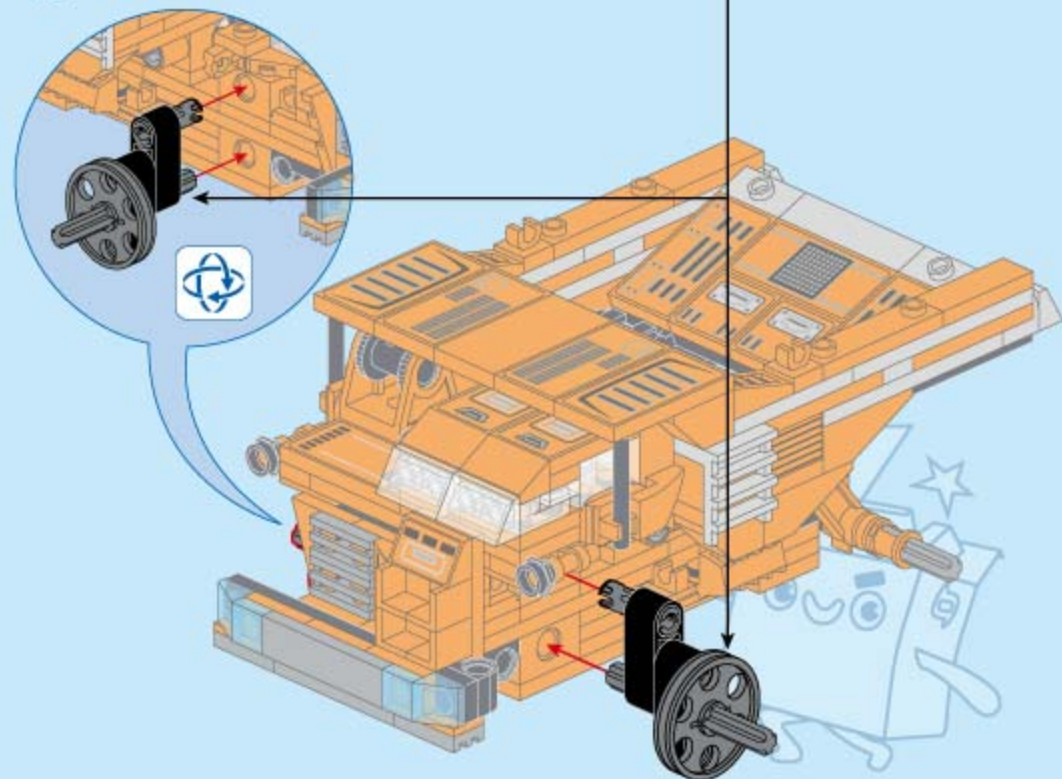
QMAN USER MANUAL



68



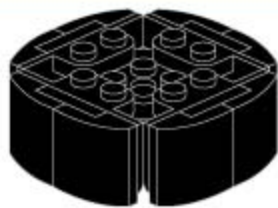
69



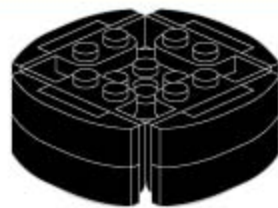


42204(8in1)

QMAN USER MANUAL



A



B

70



辅助颗粒
Auxiliary Part



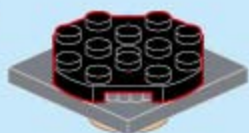
74



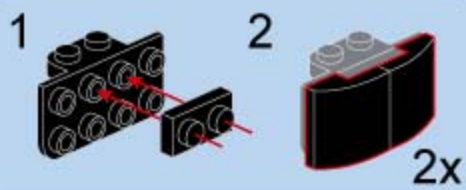
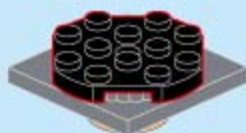
辅助颗粒
Auxiliary Part



71

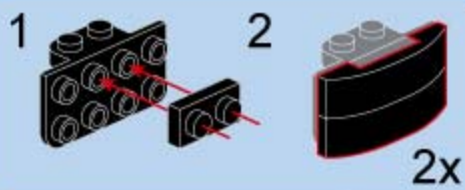
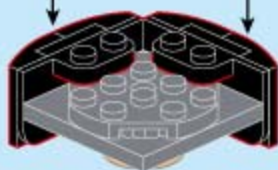


75



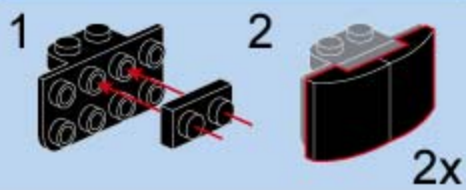
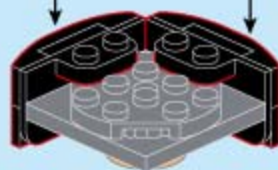
2x

72



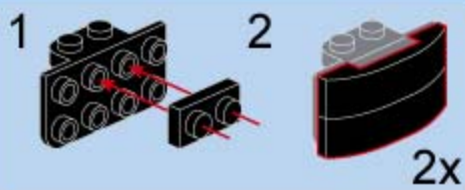
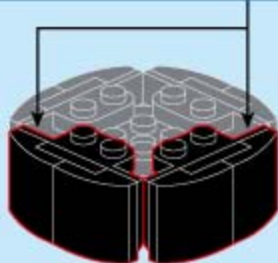
2x

76



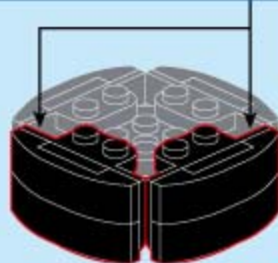
2x

73

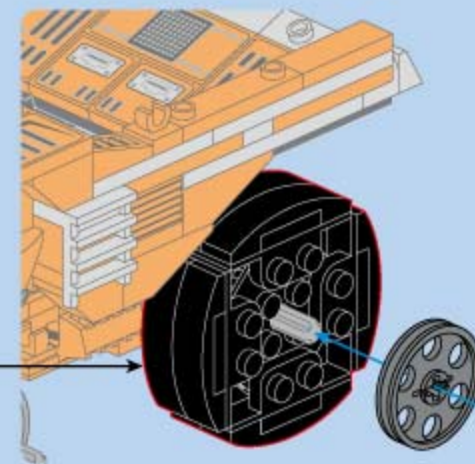


2x

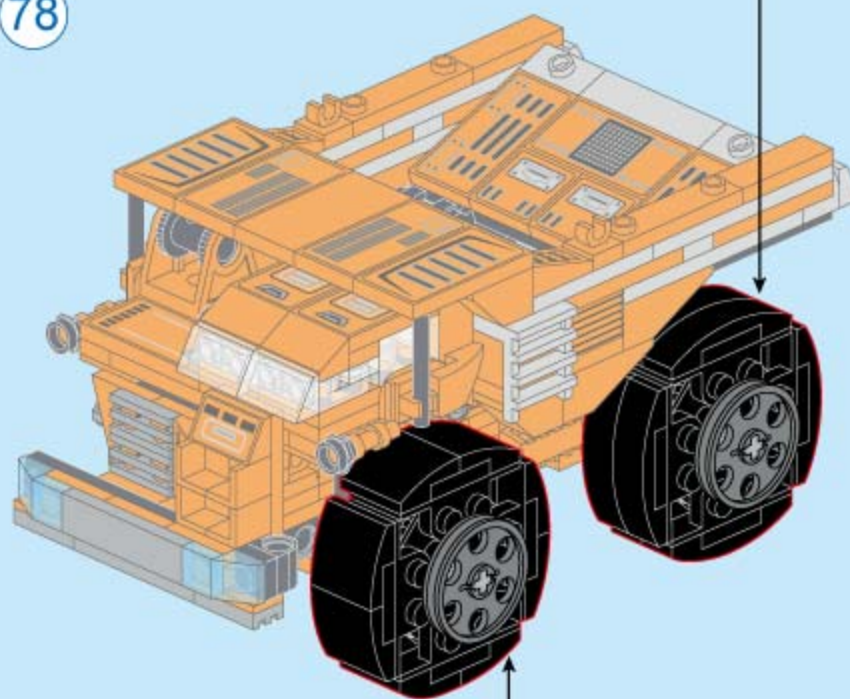
77



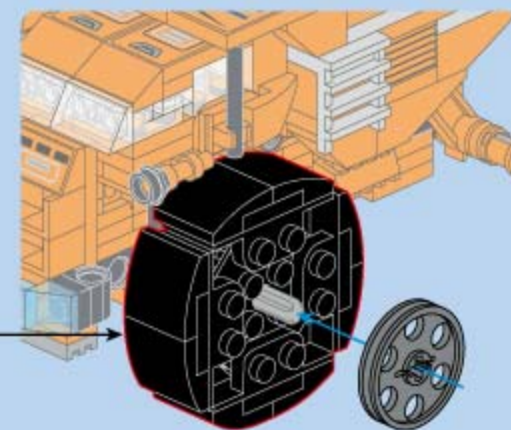
○取下辅助颗粒
Remove Auxiliary Part



78



○取下辅助颗粒
Remove Auxiliary Part





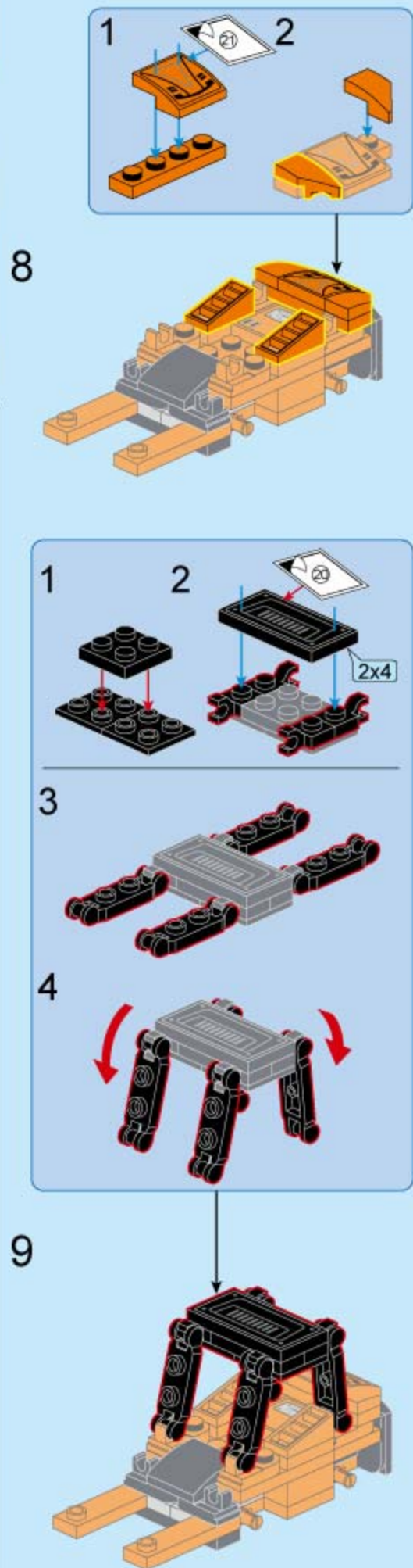
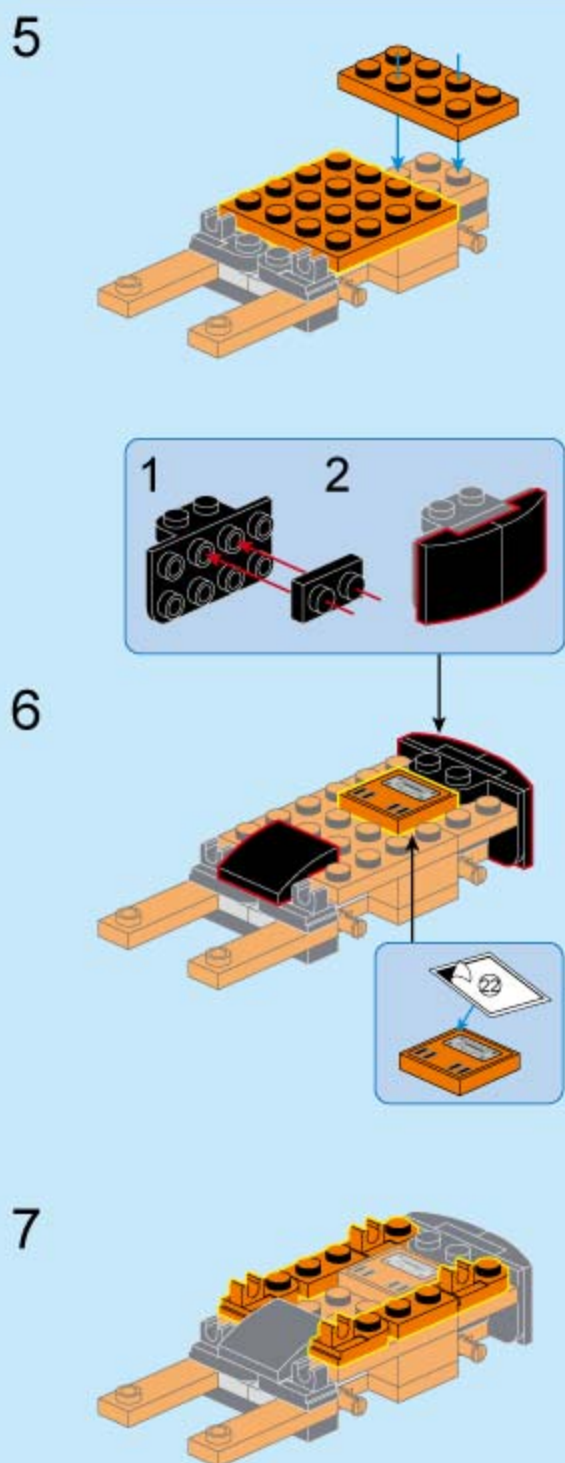
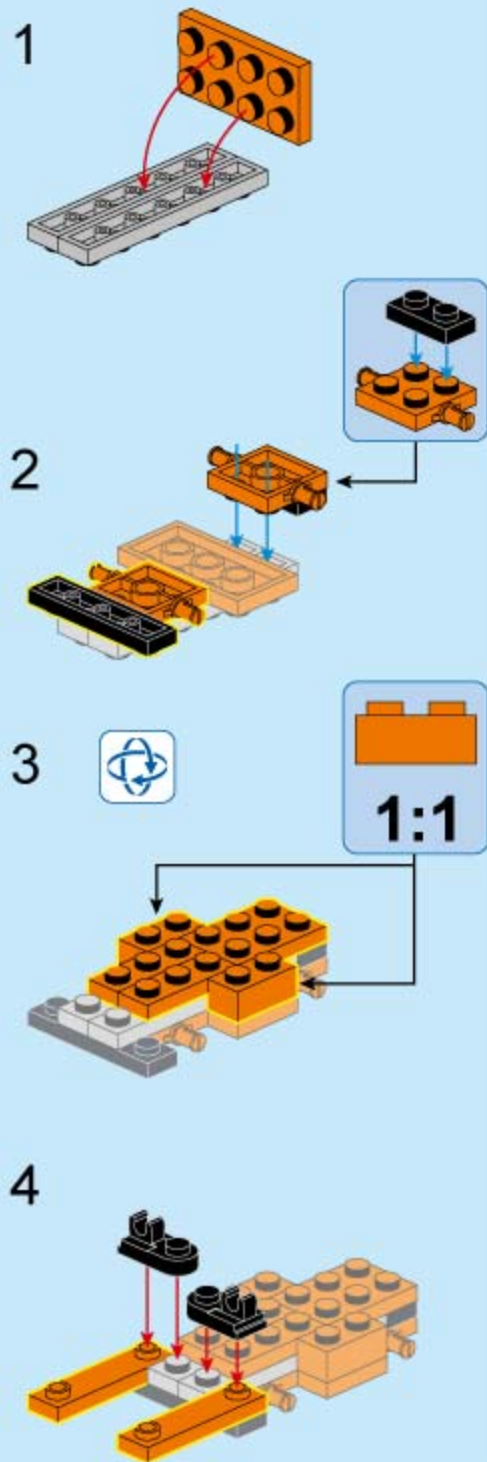
42204-8



V1.0

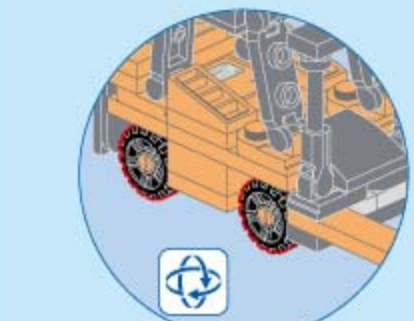
CONSTRUCTION BEGINS
START USING
HEAVY
TRANSPORT VEHICLES

Forklift



10

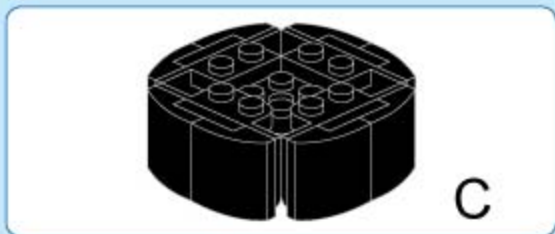
11





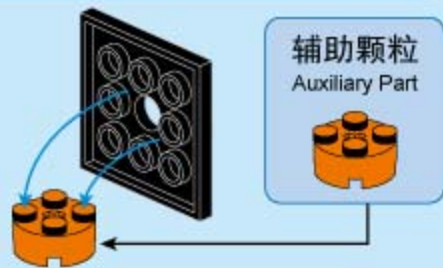
42204(8in1)

QMAN USER MANUAL

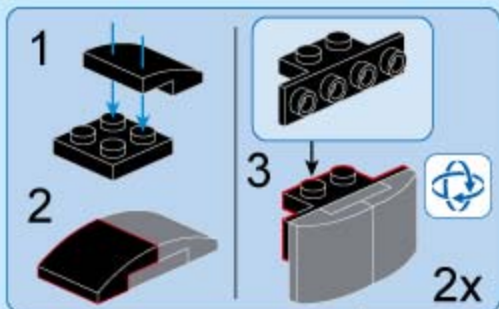
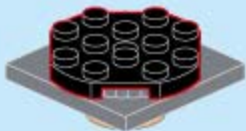


C

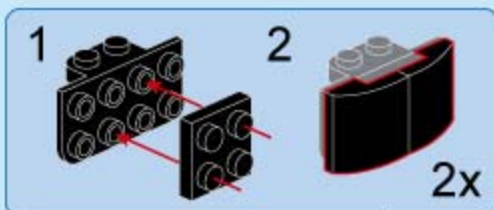
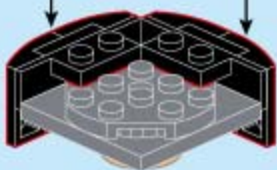
79



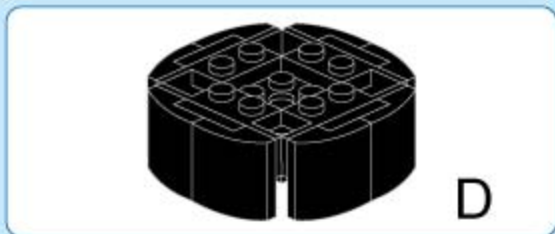
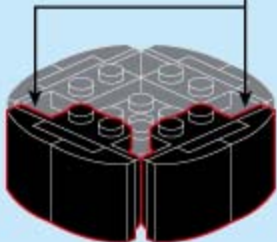
80



81

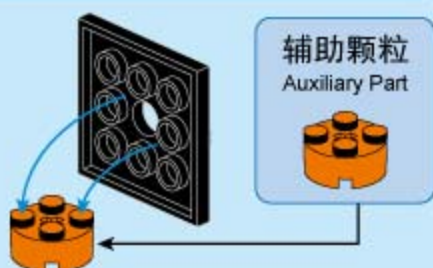


82

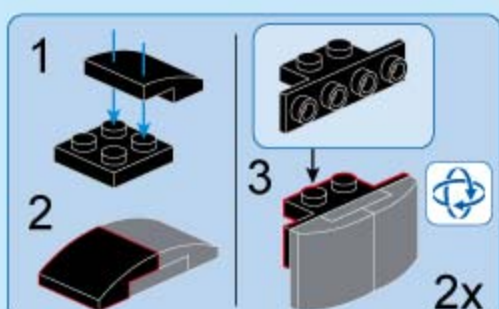
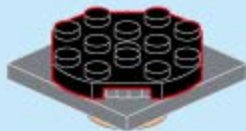


D

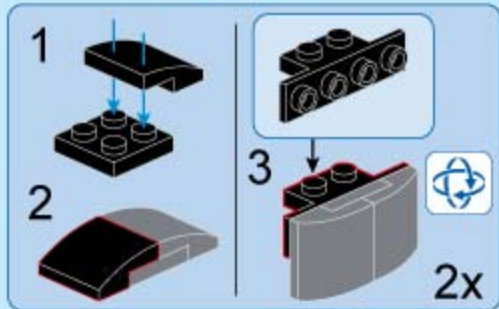
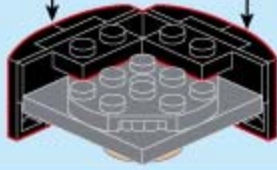
83



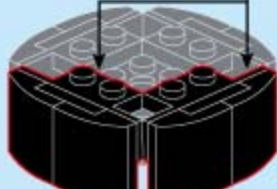
84



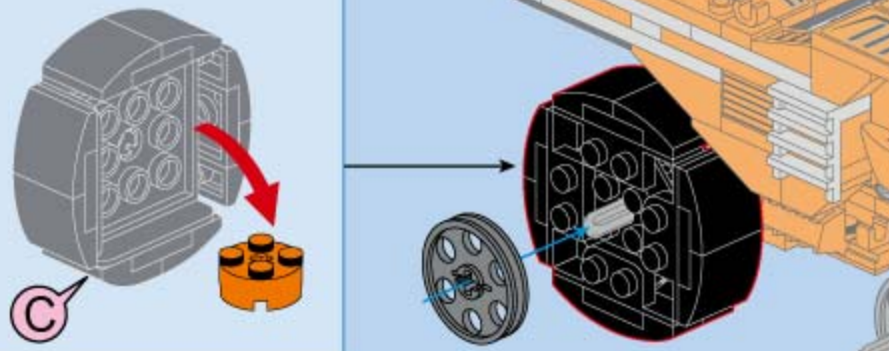
85



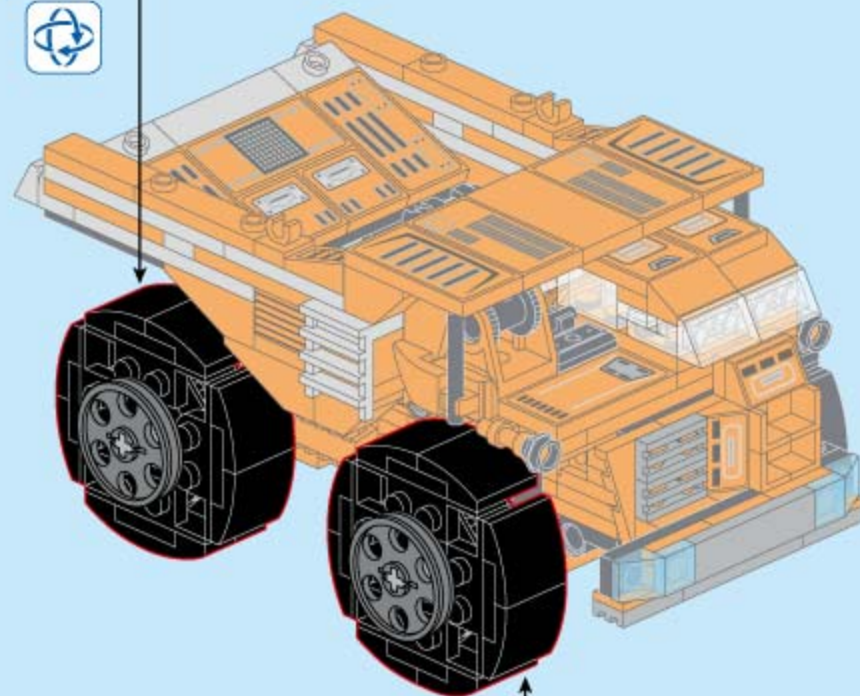
86



○取下辅助颗粒
Remove Auxiliary Part



87



○取下辅助颗粒
Remove Auxiliary Part

