



# MODEL POWER



2.4G REMOTE CONTROL



AI PROGRAMMING



ROUTE PLANNING

## 54005

Ages: 8+

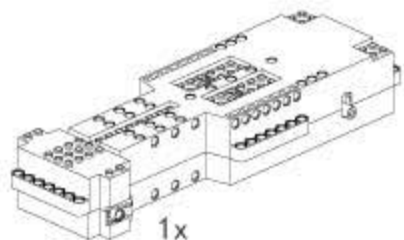


Dual controllers offer a seamless and smooth gaming experience

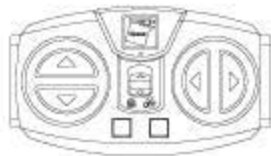
## REMOTE CONTROL PHANTOM SUPERCAR

Pictures are for your reference only. The delivered goods shall prevail.

## Product Summary | 产品概览:



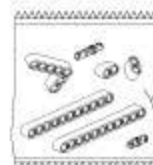
Smart Creative  
Module  
动力模块



Remote  
Control  
遥控器

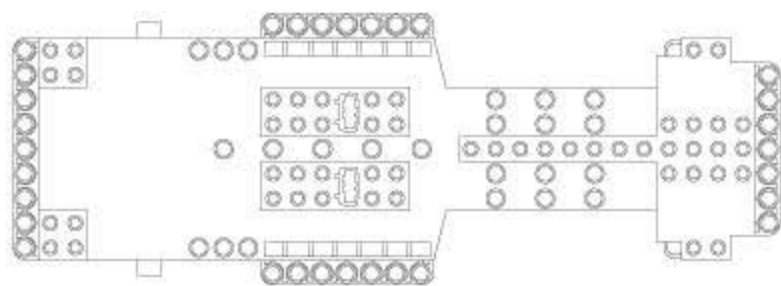


Building Blocks  
Instructions  
搭建手册

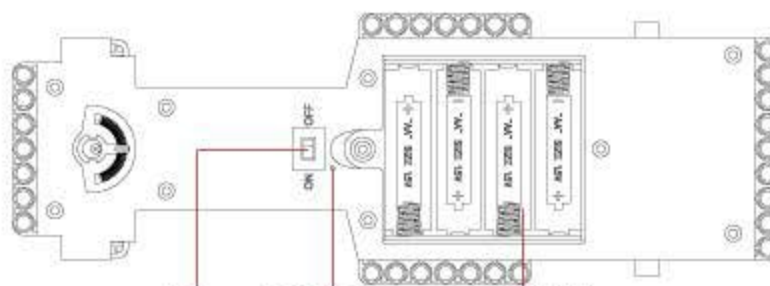


Building Block  
Parts  
积木零件包

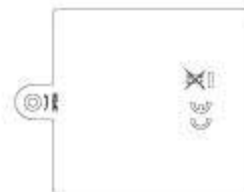
## Smart creative module | 动力模块:



Front View  
正面



Power  
电源开关  
Indicator Light  
指示灯  
Battery Case  
电池盒  
Rear view  
背面



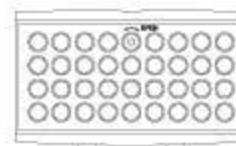
## Remote Control | 遥控器:



Indicator Light  
指示灯  
Direction Button  
操控盘  
Power  
电源开关  
Front View  
正面



Battery Case  
电池盒



Rear view  
背面

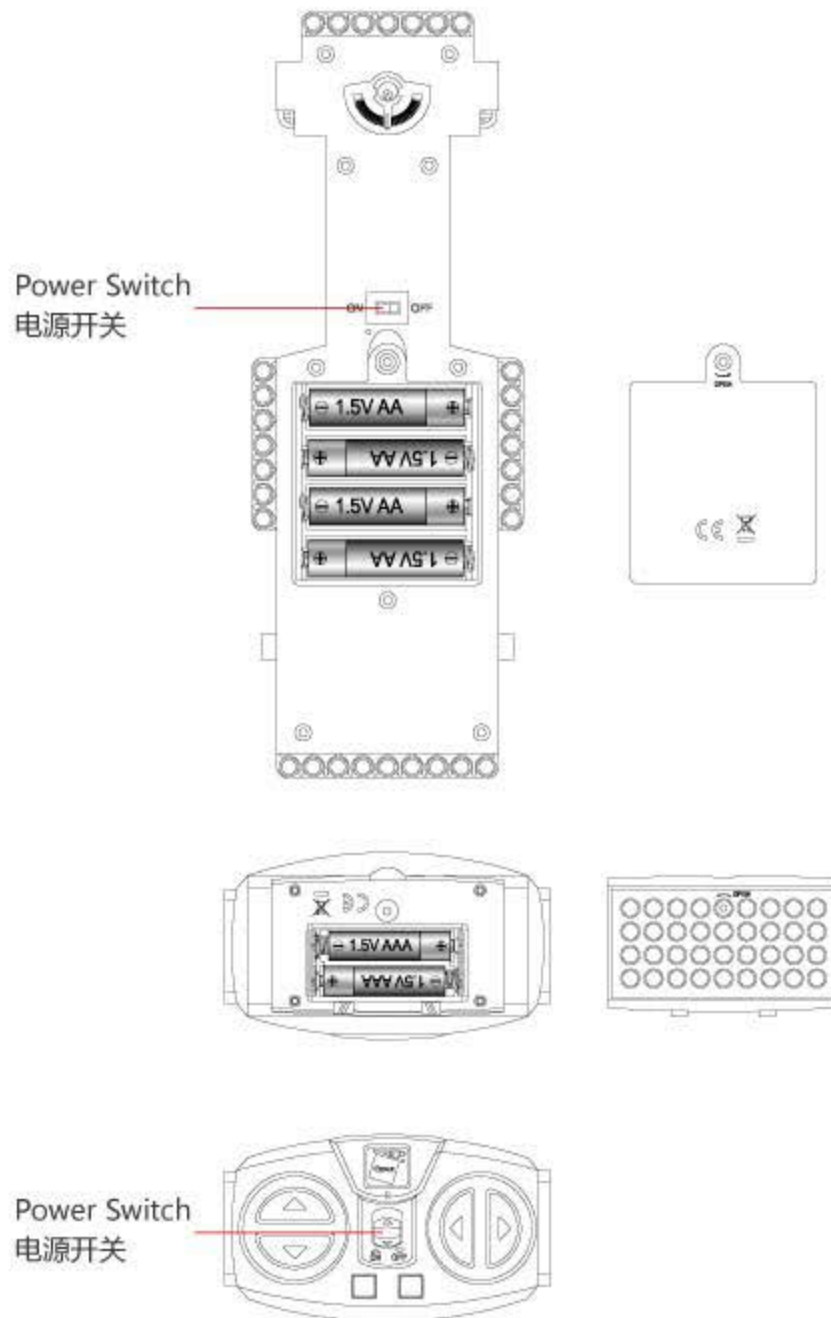
Pictures are for your reference only.  
The delivered goods shall prevail.  
图片仅供参考, 请以实物为准。

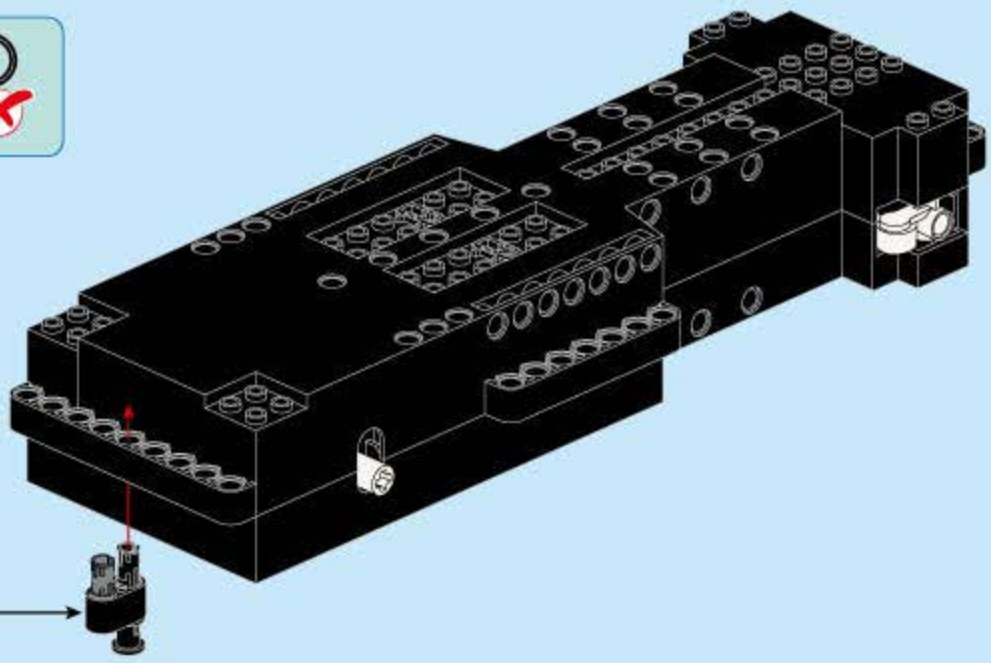
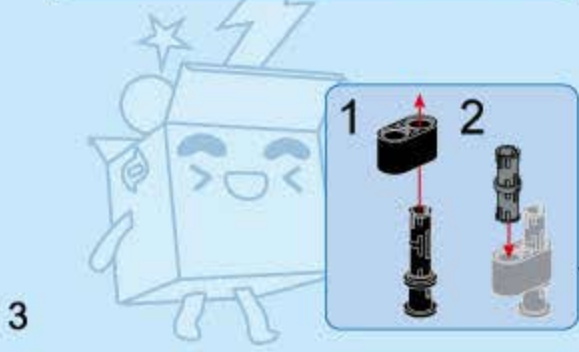
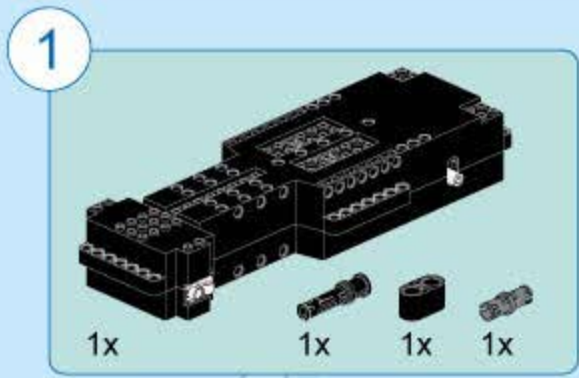
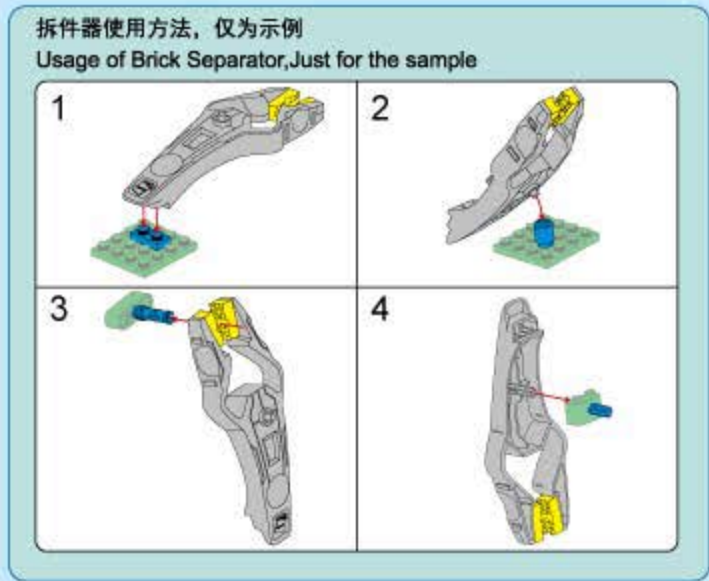
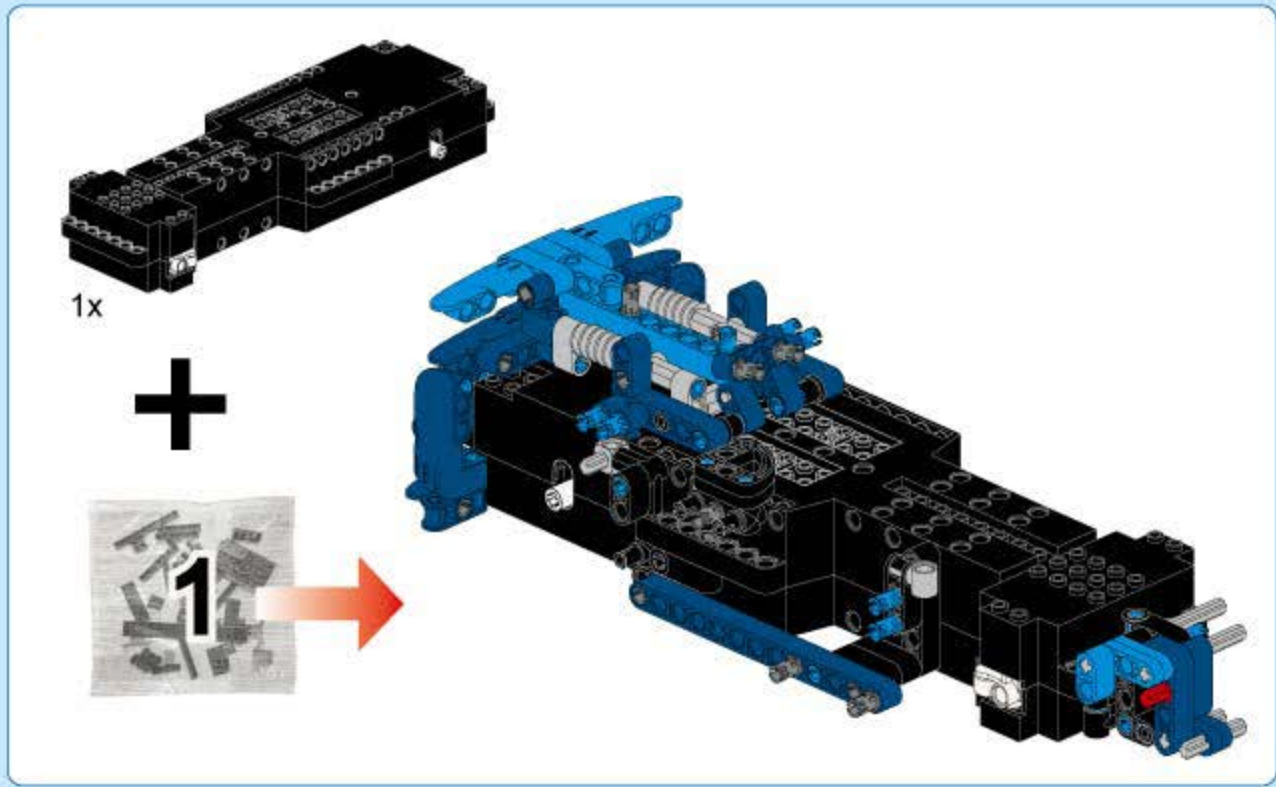
## Operation for Electric-powered Device | 电动装置操作

### Battery Cautions | 电池注意事项

- 1, The main control module with 4\*1.5V AA non-rechargeable battery, and the remote control with 2\*1.5V AAA non-rechargeable battery.
- 2, The putting in and taking out for batteries: Loosen the screw with a screwdriver, uncover the battery cover, insert in the battery correctly according to the polarity and voltage marks on the battery case, and lock the battery cover; Please remove the battery in reverse order.
- 3, Non-rechargeable batteries are not rechargeable.
- 4, Rechargeable batteries should be charged under adult supervision.
- 5, Do not use batteries with different types or old and new batteries at the same time.
- 6, Batteries of the same type or the same type as recommended could only be used.
- 7, Batteries should be inserted in by correct polarity.
- 8, Depleted batteries should be taken out from the product. If the product is idle for a while, please also take out batteries.
- 9, Do not short-circuit the power terminal.
- 10, Rechargeable batteries should be removed from toys before charging.

1. 动力模块使用4\*1.5V AA非充电电池，遥控器使用2\*1.5V AAA非充电电池。
2. 电池装入和取出：用螺丝刀松螺丝钉，揭开电池盖，按玩具电池室上的极性和电压标志正确安装电池，并锁上电池盖；取出电池时，按相反顺序操作。
3. 非充电电池不能充电。
4. 充电电池需在成人监护下充电。
5. 不同类型的电池或新旧电池不能混用。
6. 型号相同或与推荐型号等同的电池才可以使用。
7. 电池应以正确的极性放入。
8. 用尽的电池应从玩具中取出，若长时间不使用，请将玩具中电池取出。
9. 电源端子不得短路。
10. 充电电池在充电前应从玩具中取出。





2



2x



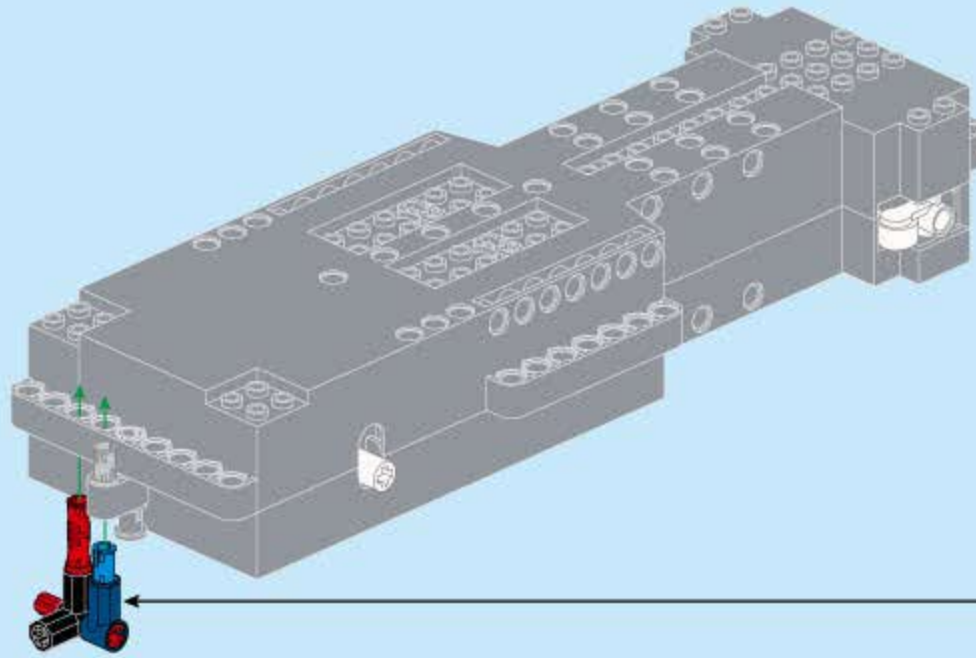
1x



1x



1x



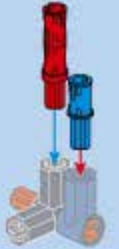
1



2



3



3



1x

5



2x



1x



1x

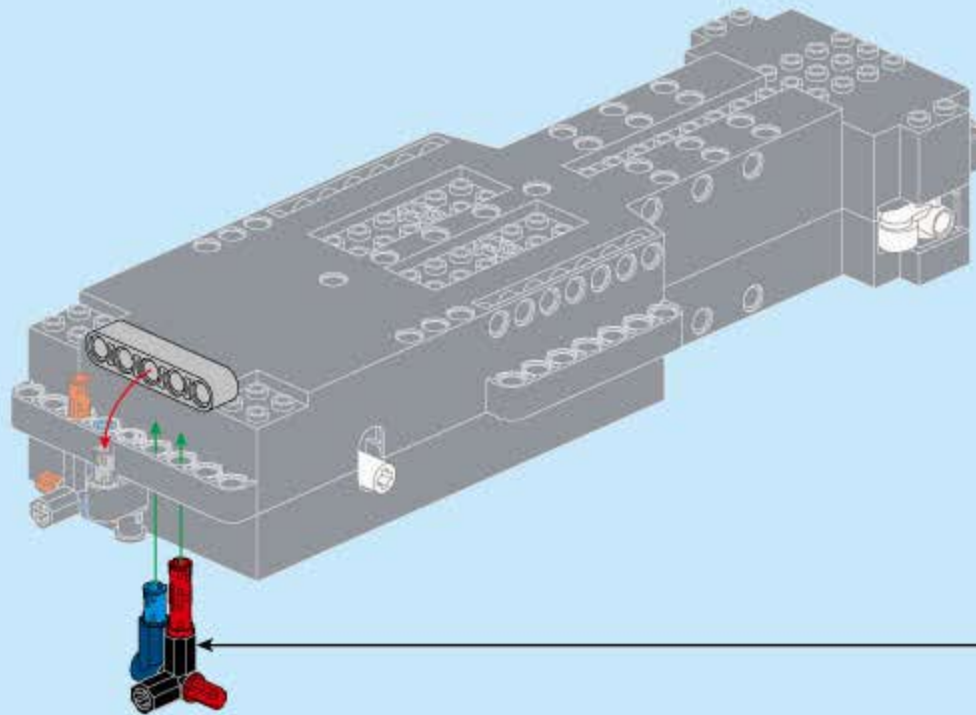


1x



5

1:1



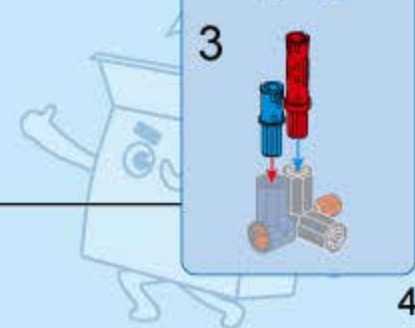
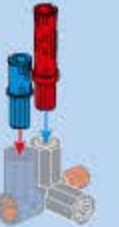
1



2



3

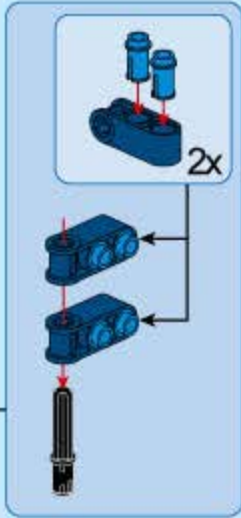
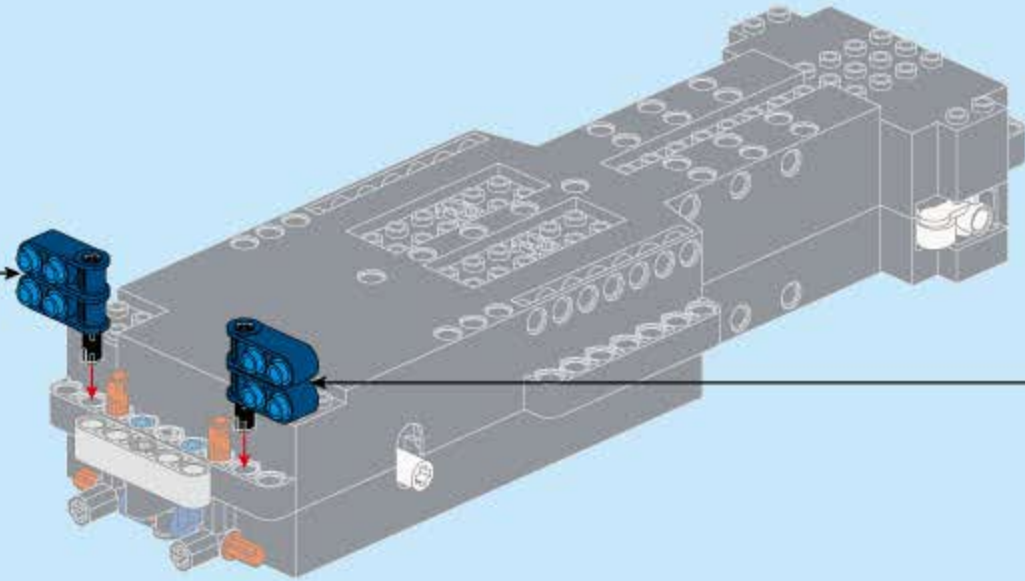
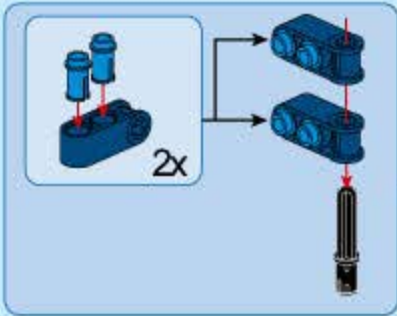


4

2x

4x

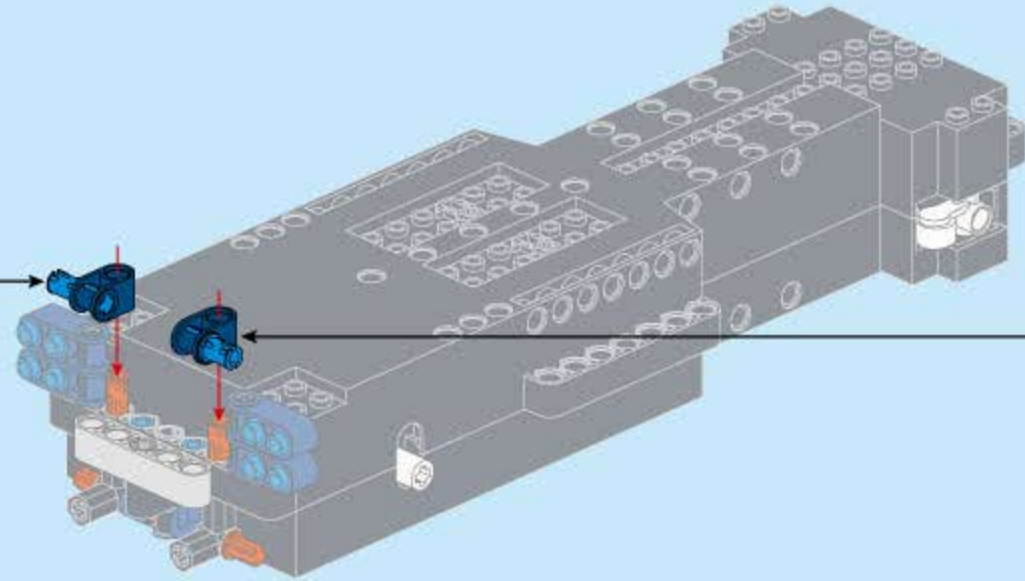
8x



5

2x

2x



6



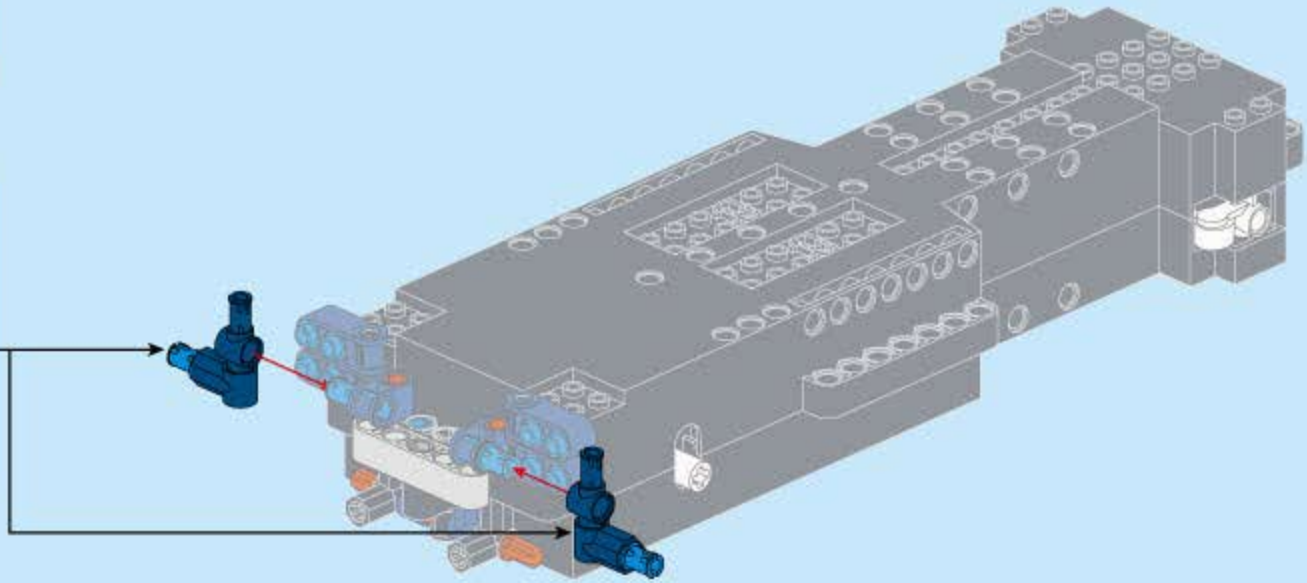
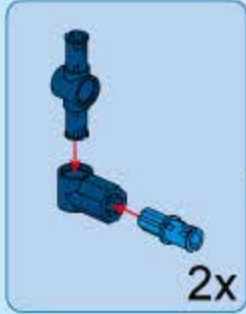
2x



2x



2x



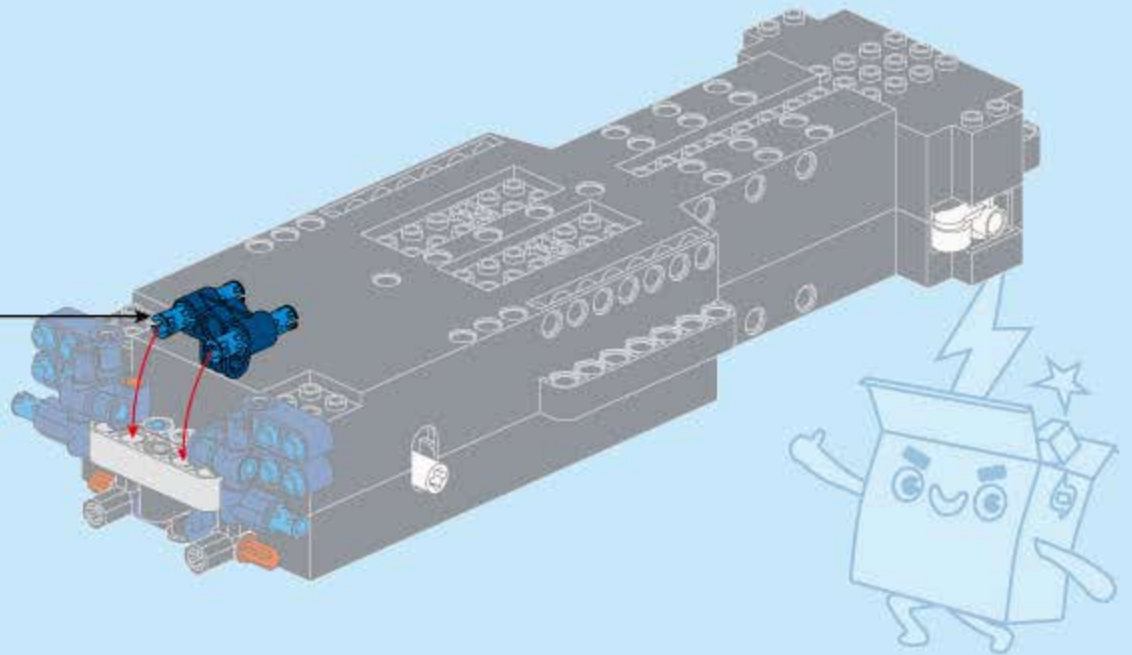
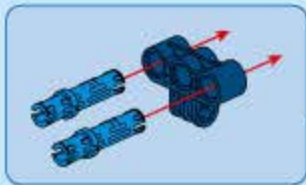
7



1x

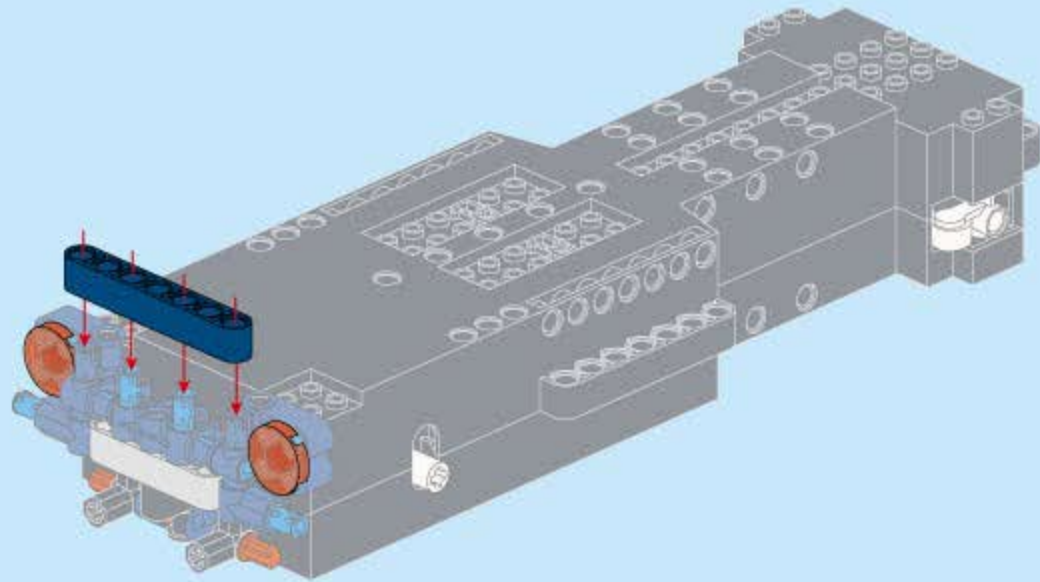


2x

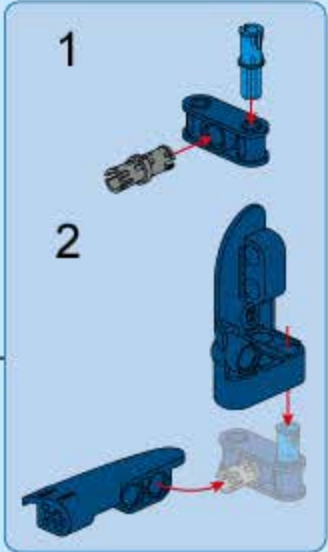
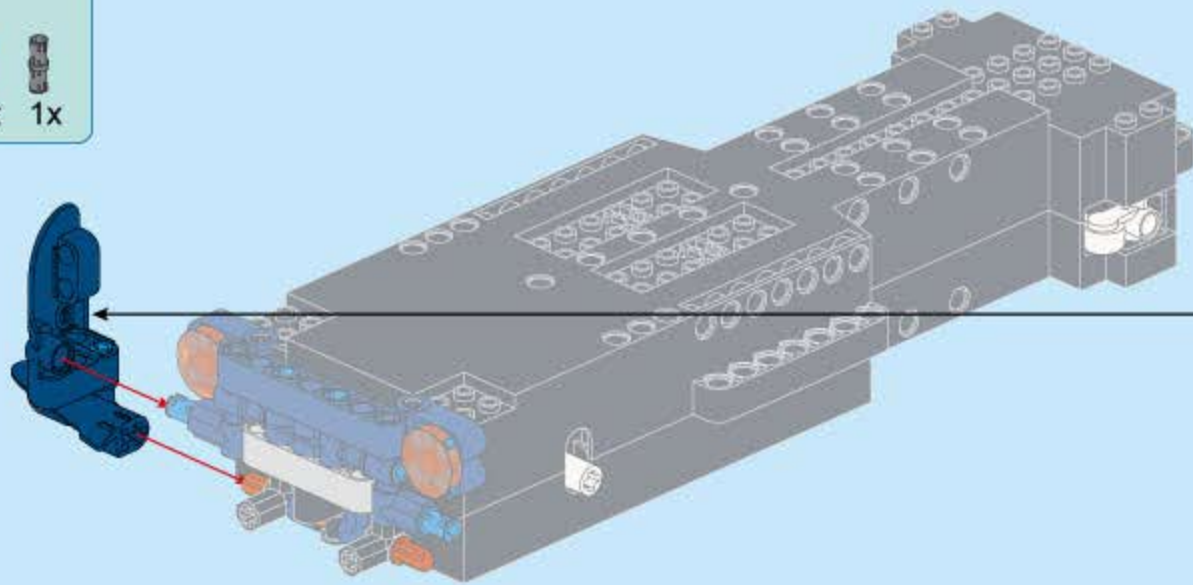
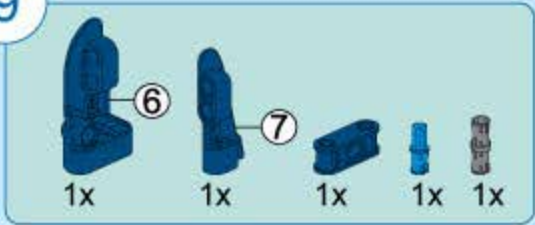




8

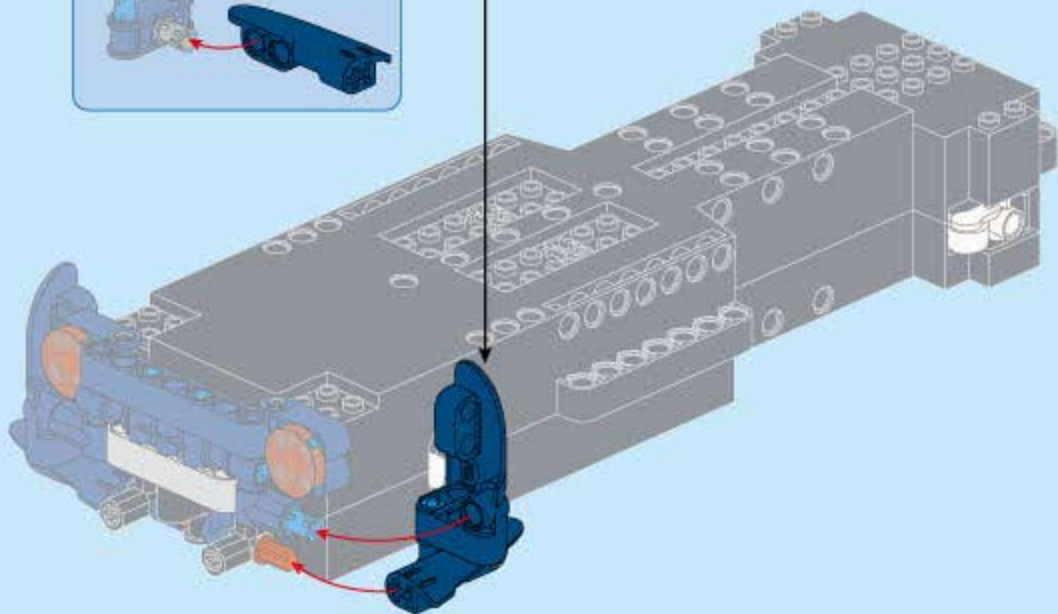
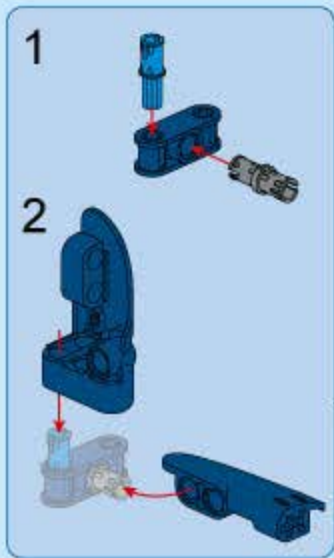
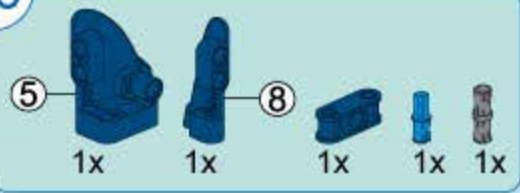


9





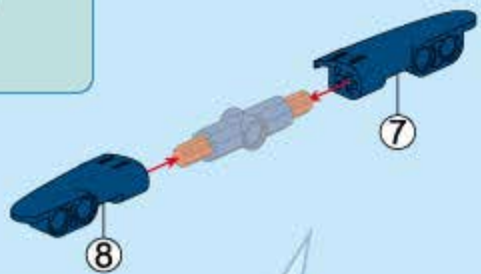
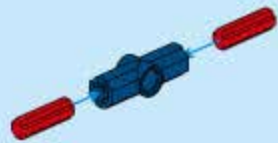
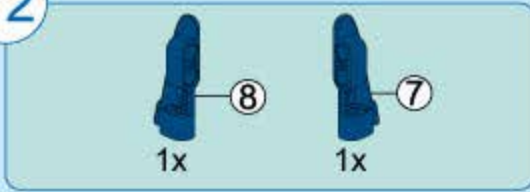
10



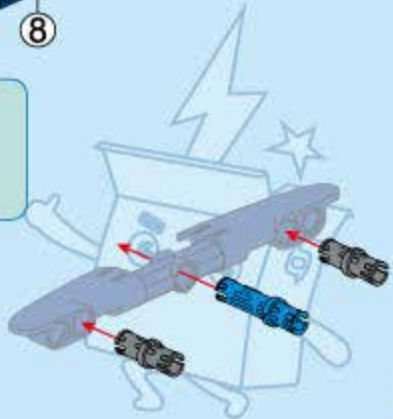
11



12

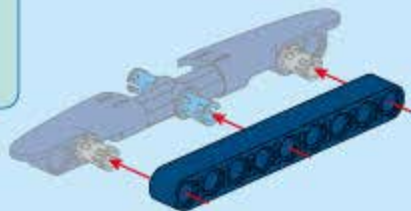


13

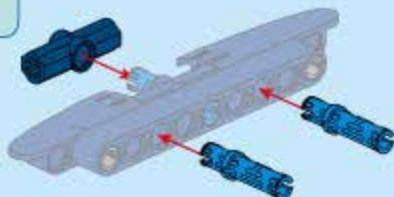


9 1:1

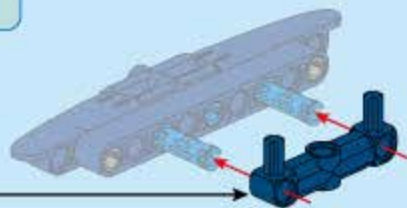
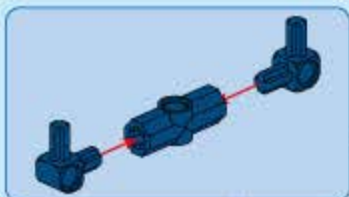
14



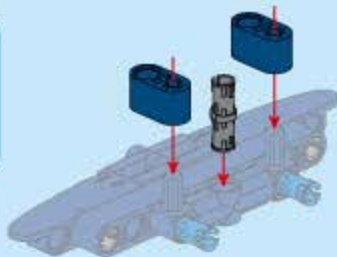
15



16



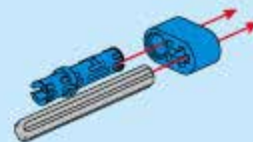
17



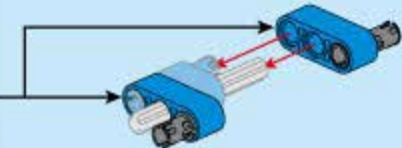
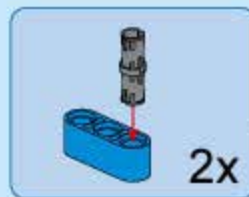
18



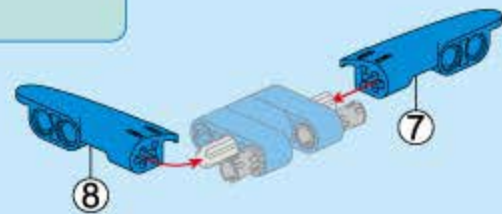
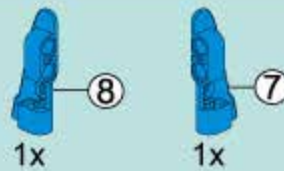
5 1:1



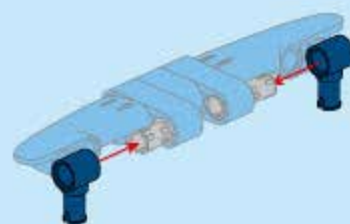
19



20

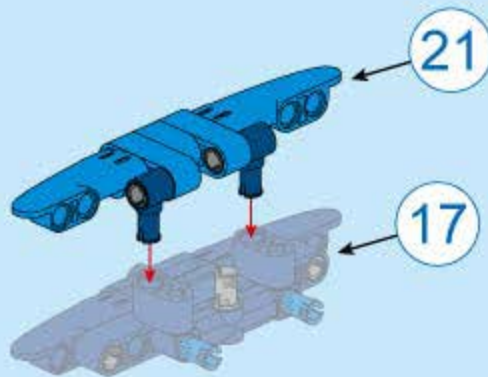


21

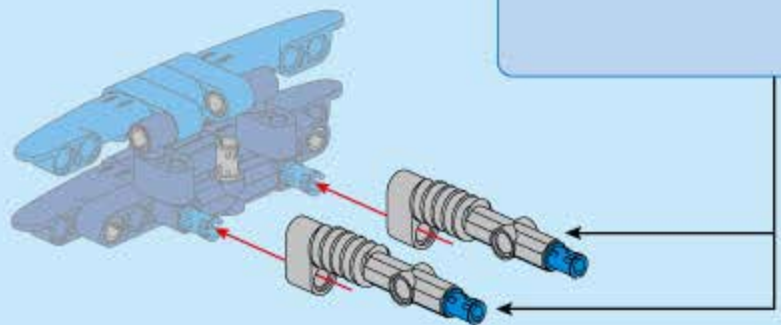
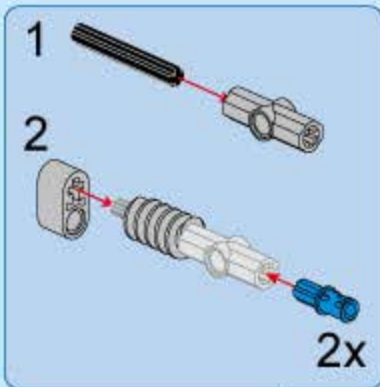




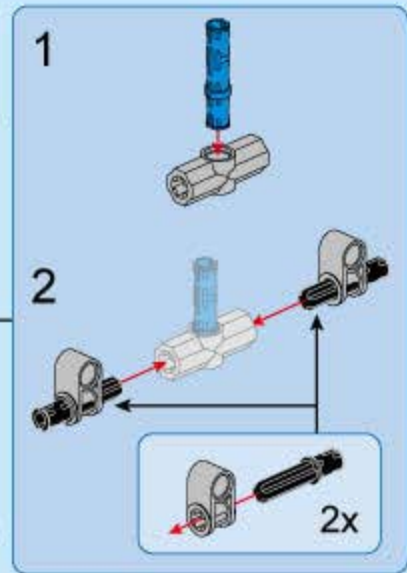
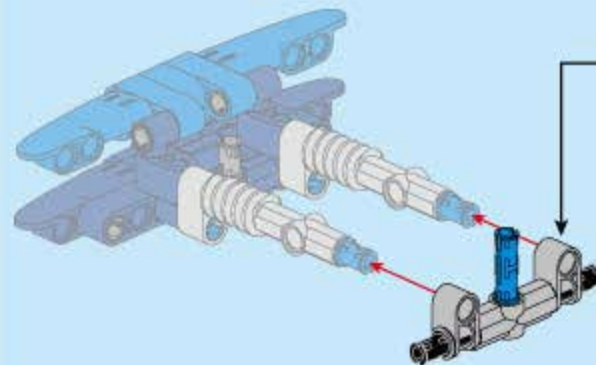
22



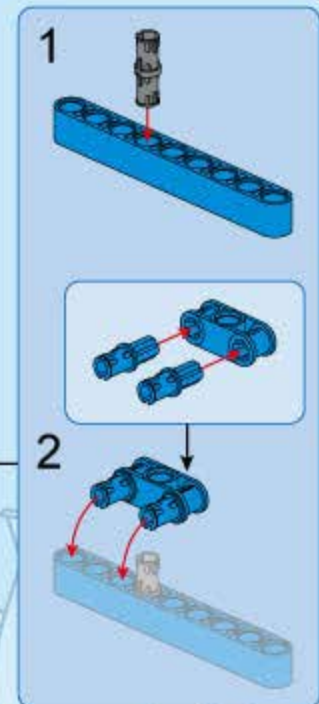
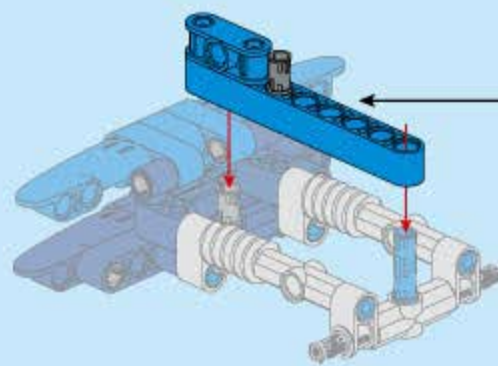
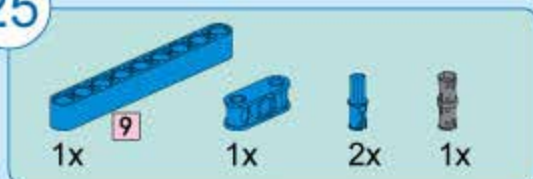
23



24



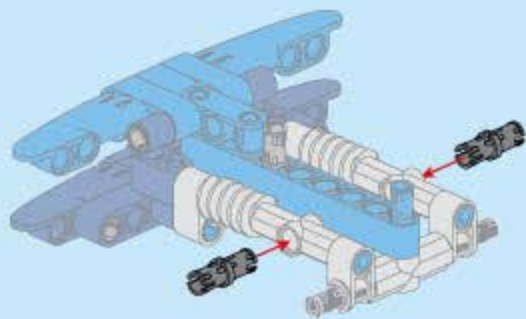
25



26



2x



27



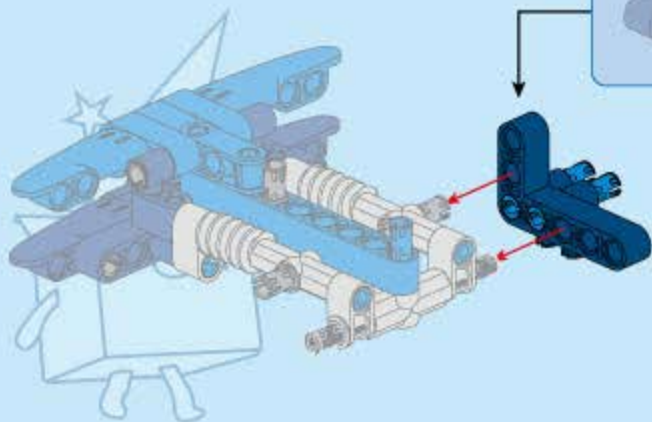
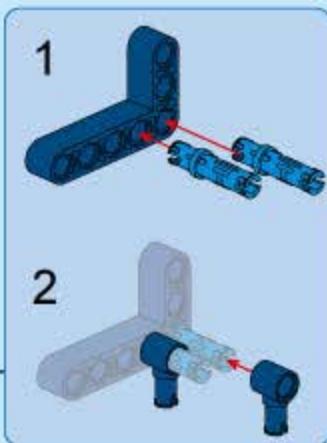
1x



2x



2x



28



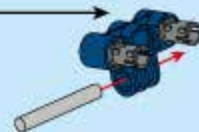
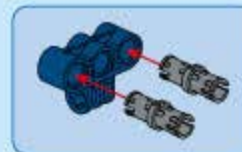
1x



1x



2x



29



2x



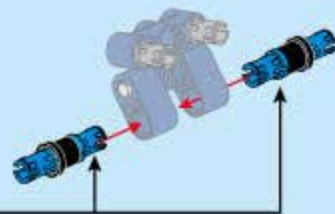
30



2x



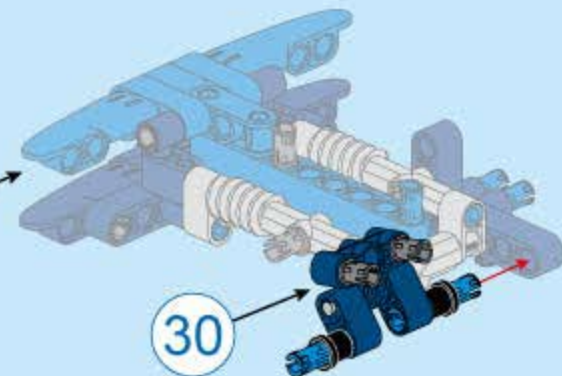
2x



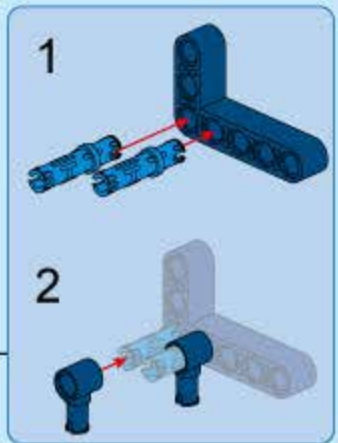
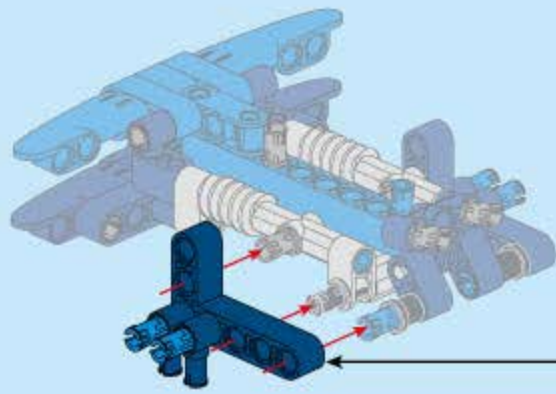
31

27

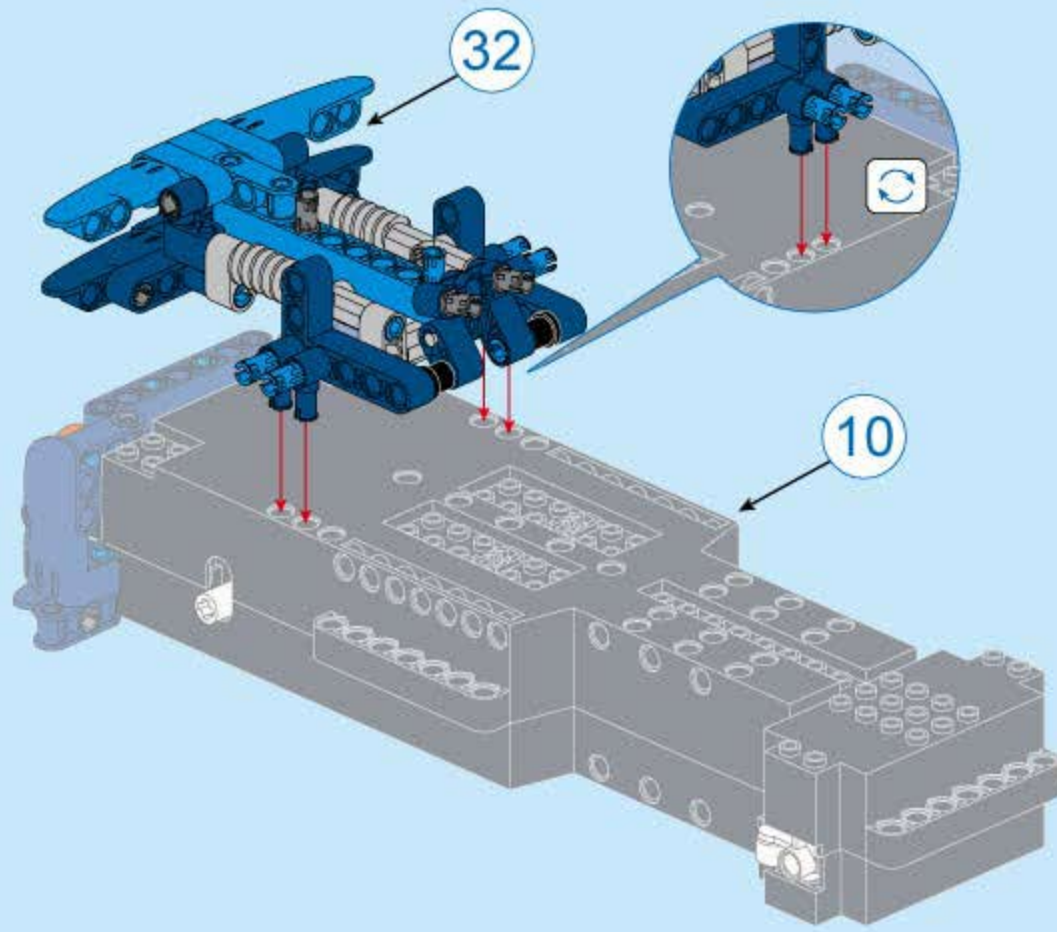
30



32



33



34



1x



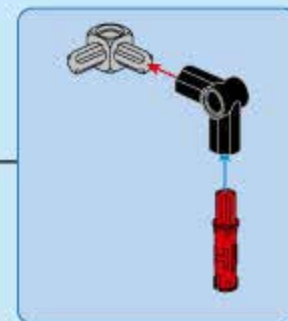
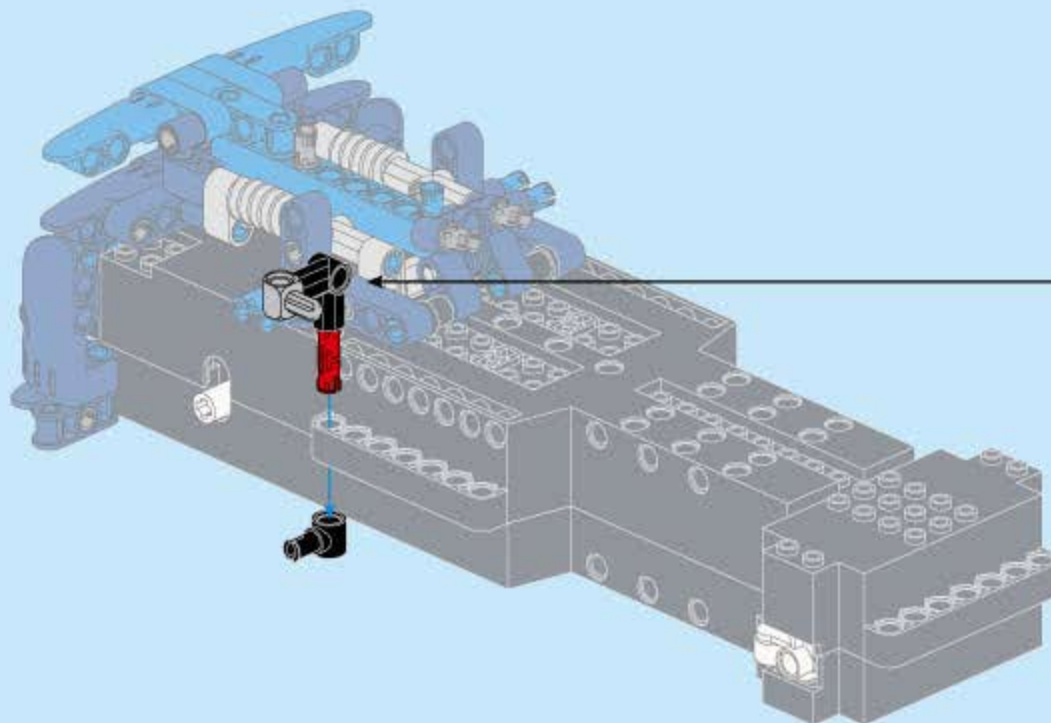
1x



1x



1x



35



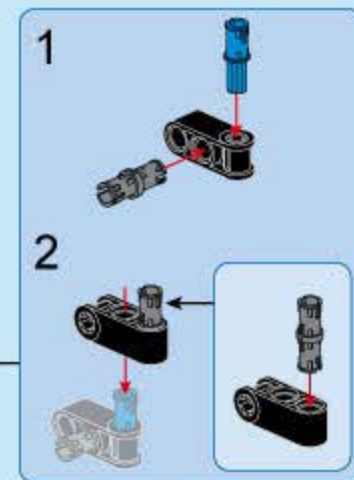
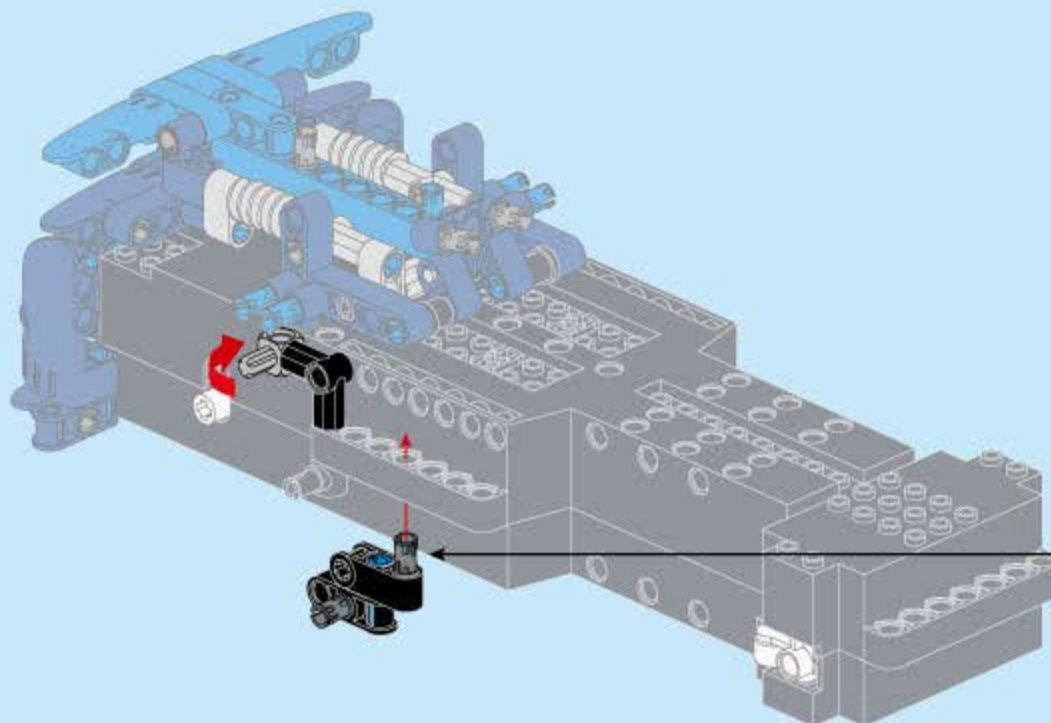
2x



2x



1x



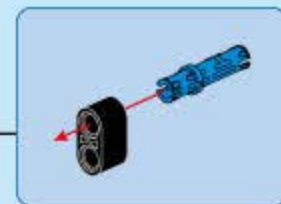
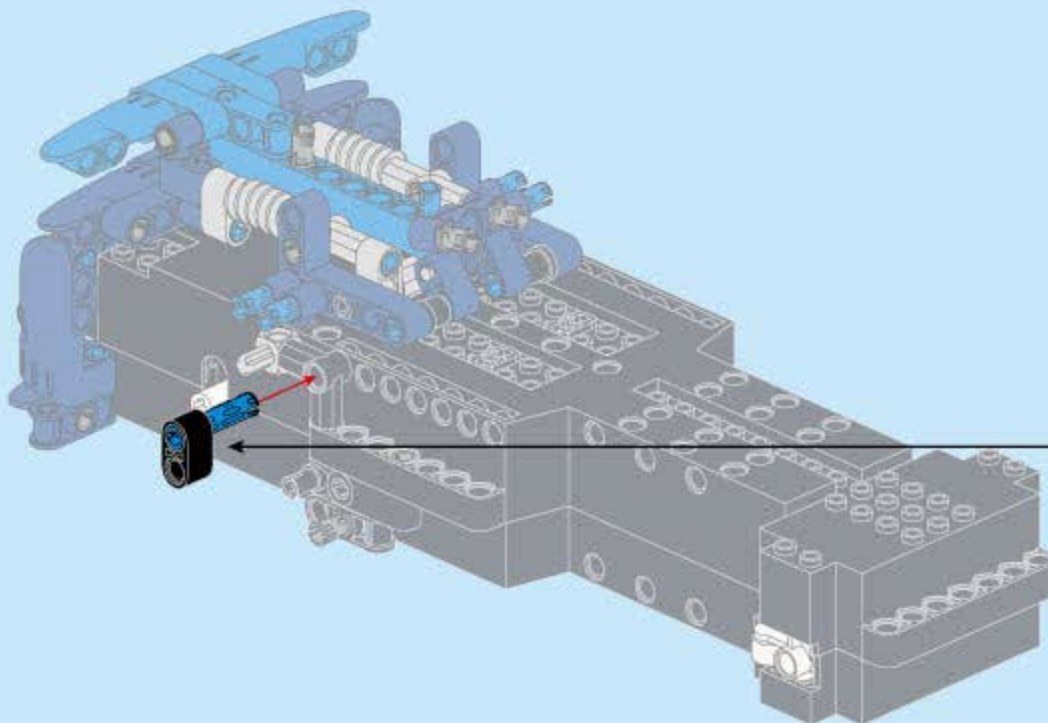
36



1x



1x



37



1x



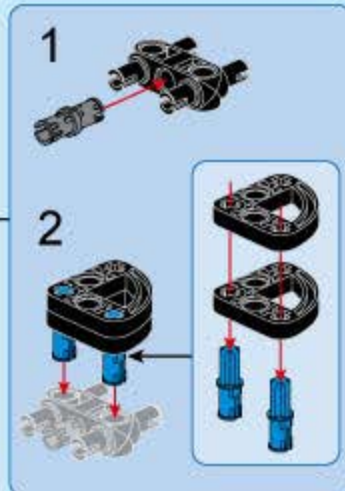
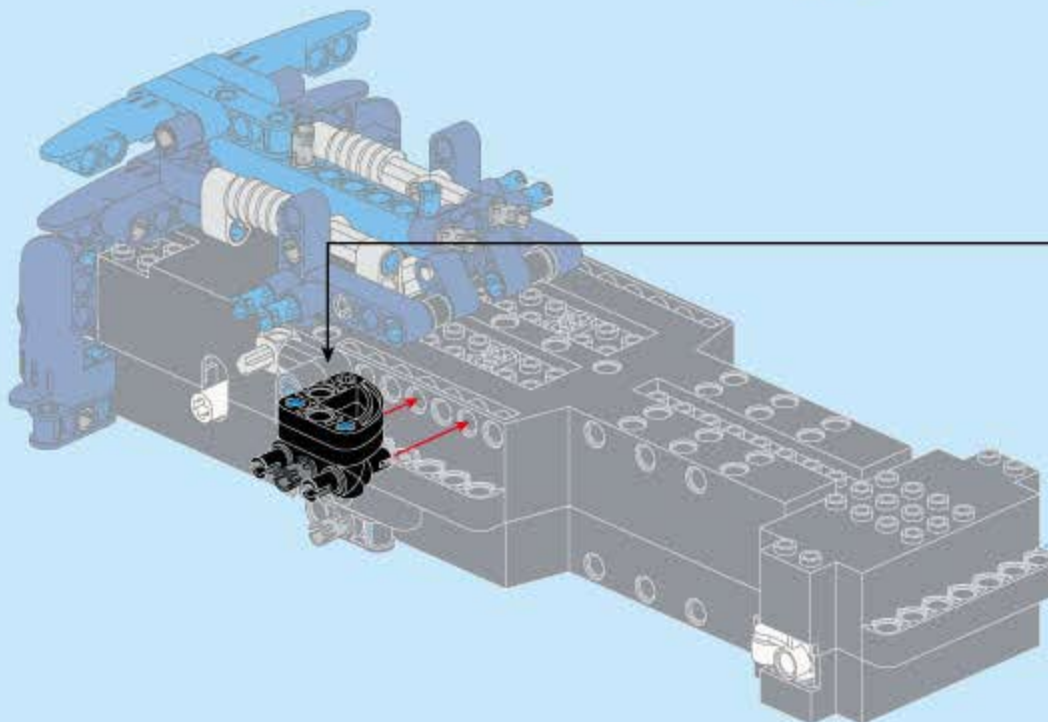
2x



1x



2x





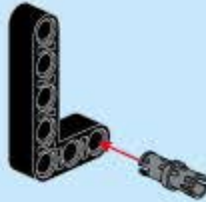
38



1x



1x



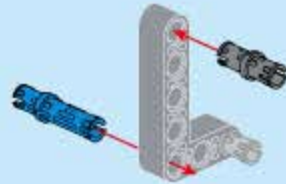
39



1x



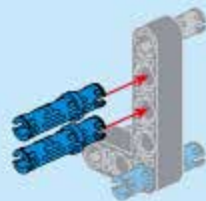
1x



40



2x



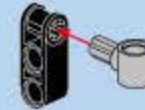
41



1x



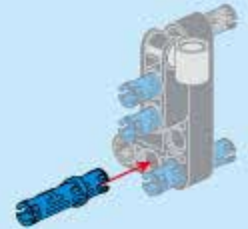
1x



42



1x



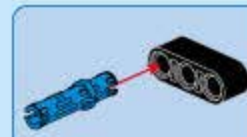
43



1x



1x



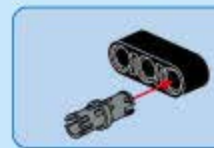
44



1x

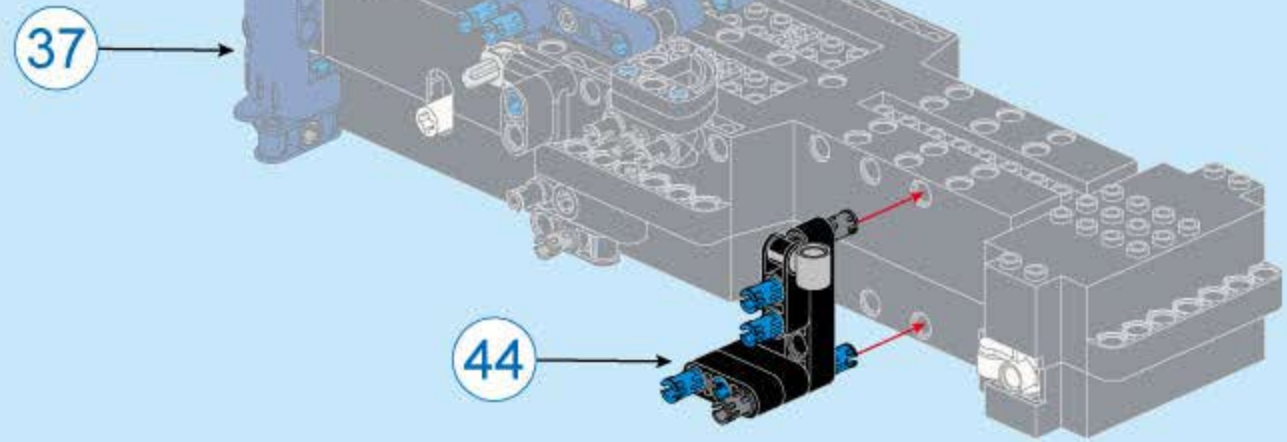


1x

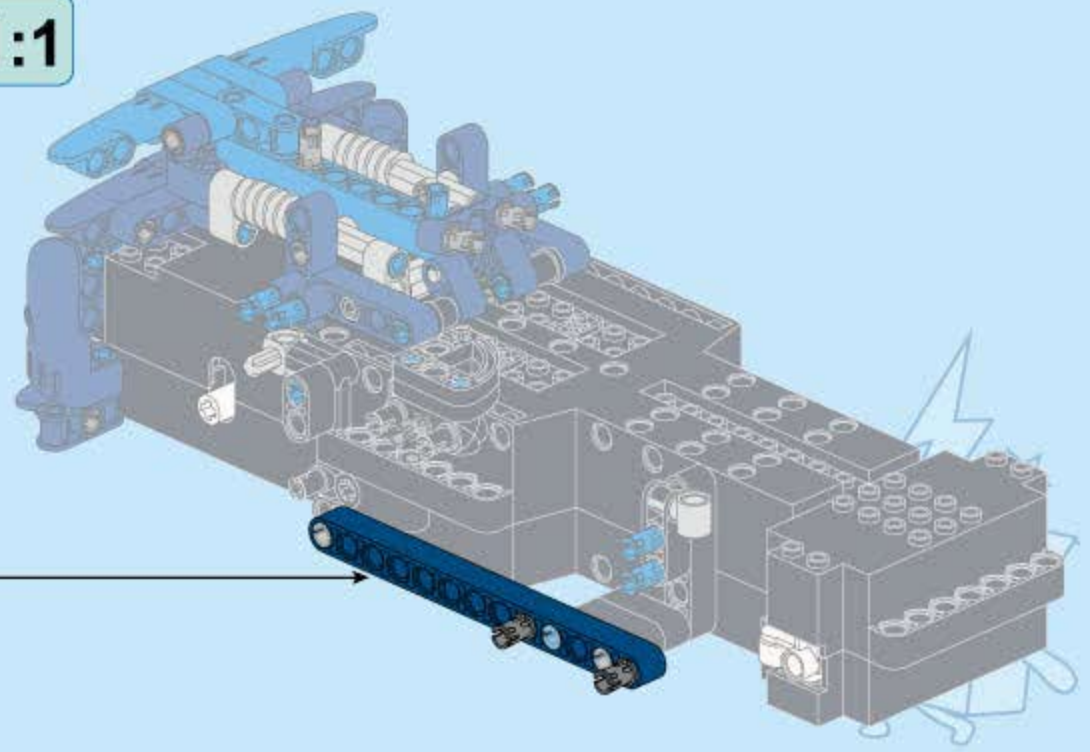
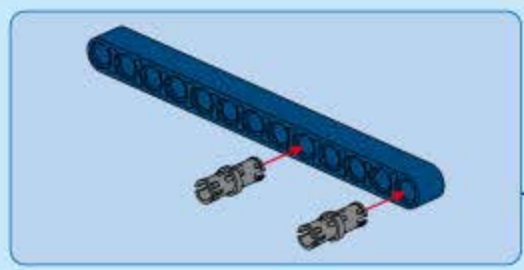




45

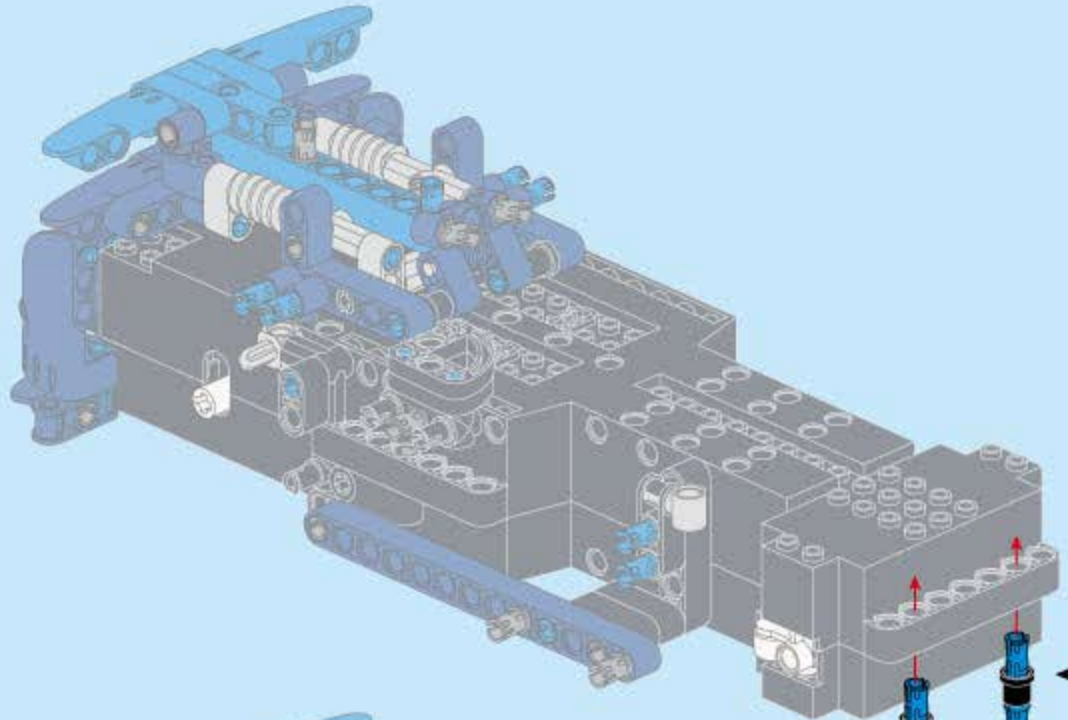



46



47

-  2x
-  2x

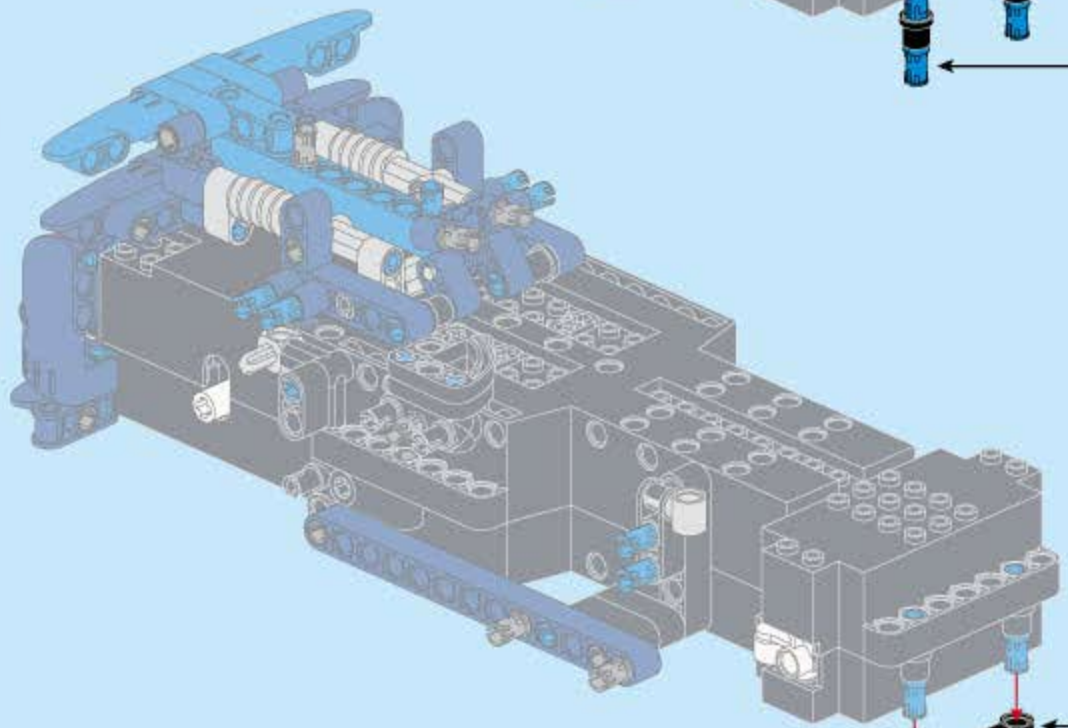


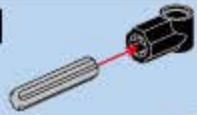
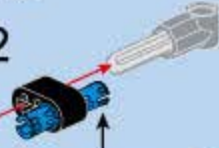

-  2x

48

-  1x
-  1x <sup>3</sup>
-  2x
-  1x

 <sup>3</sup> 1:1



- 
- 
- 



49



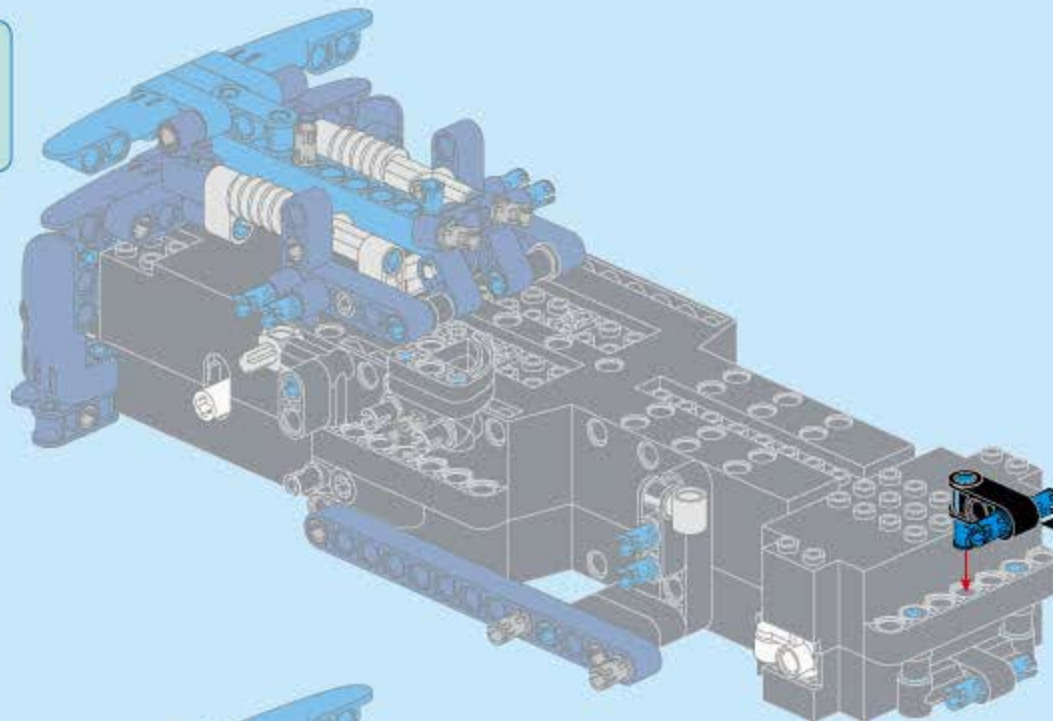
1x



1x



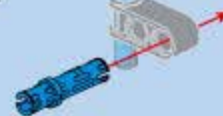
1x



1



2



50



1x



1x



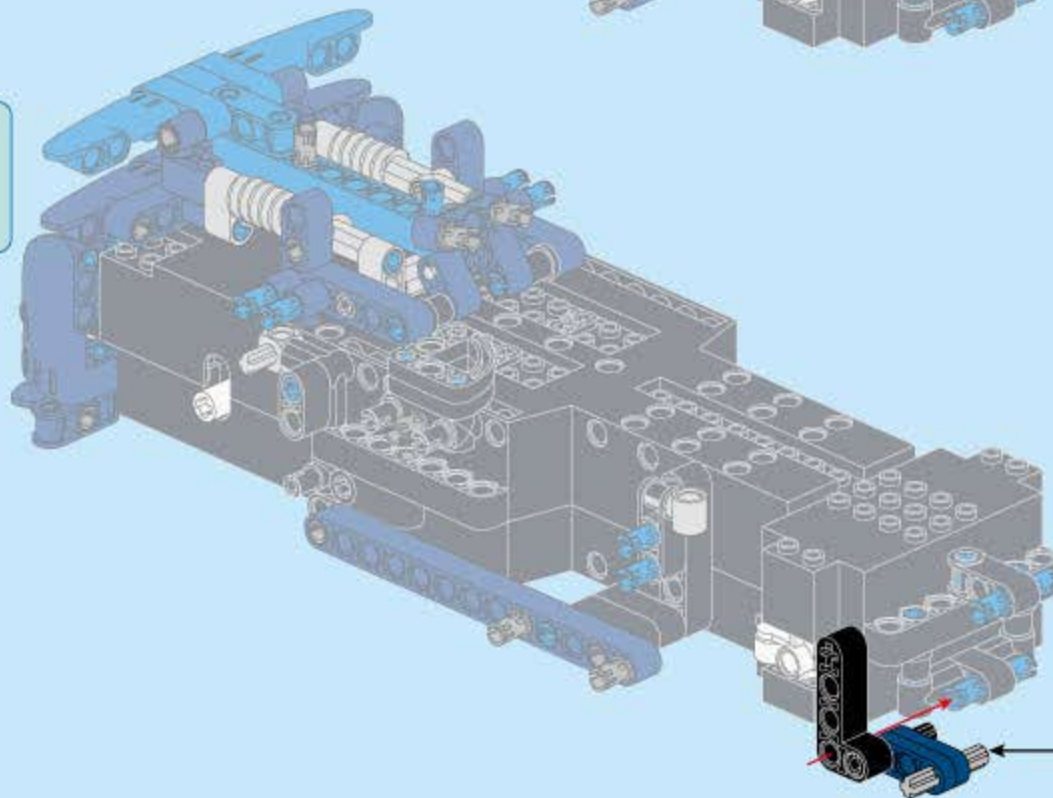
1x



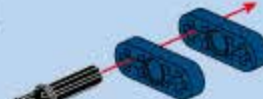
2x



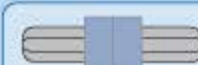
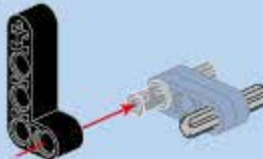
③ 1:1



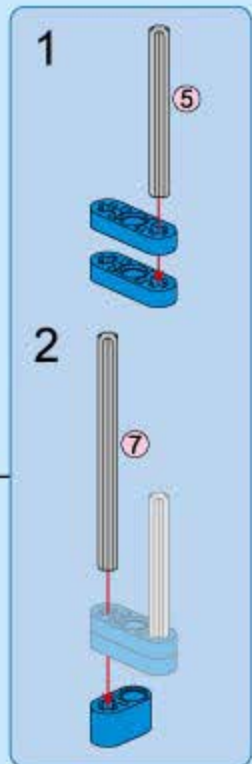
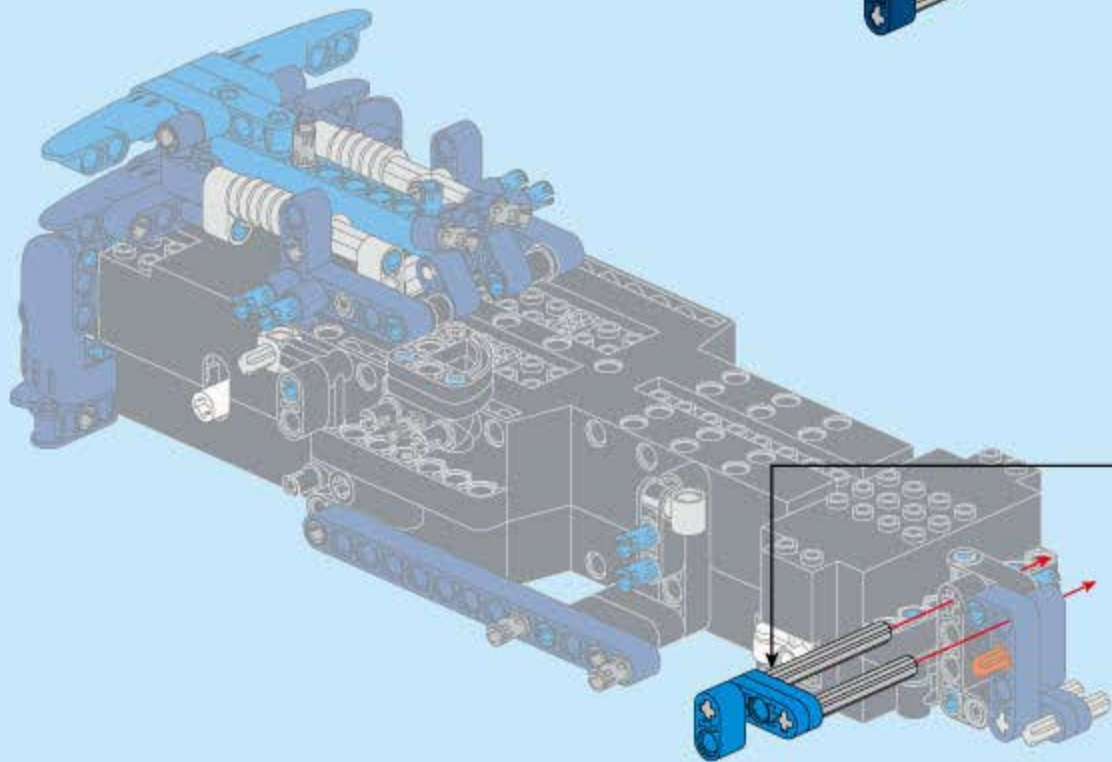
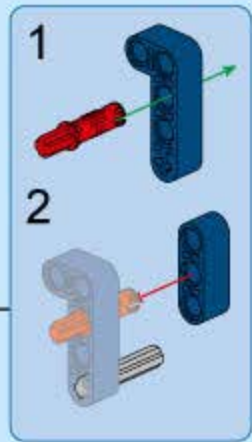
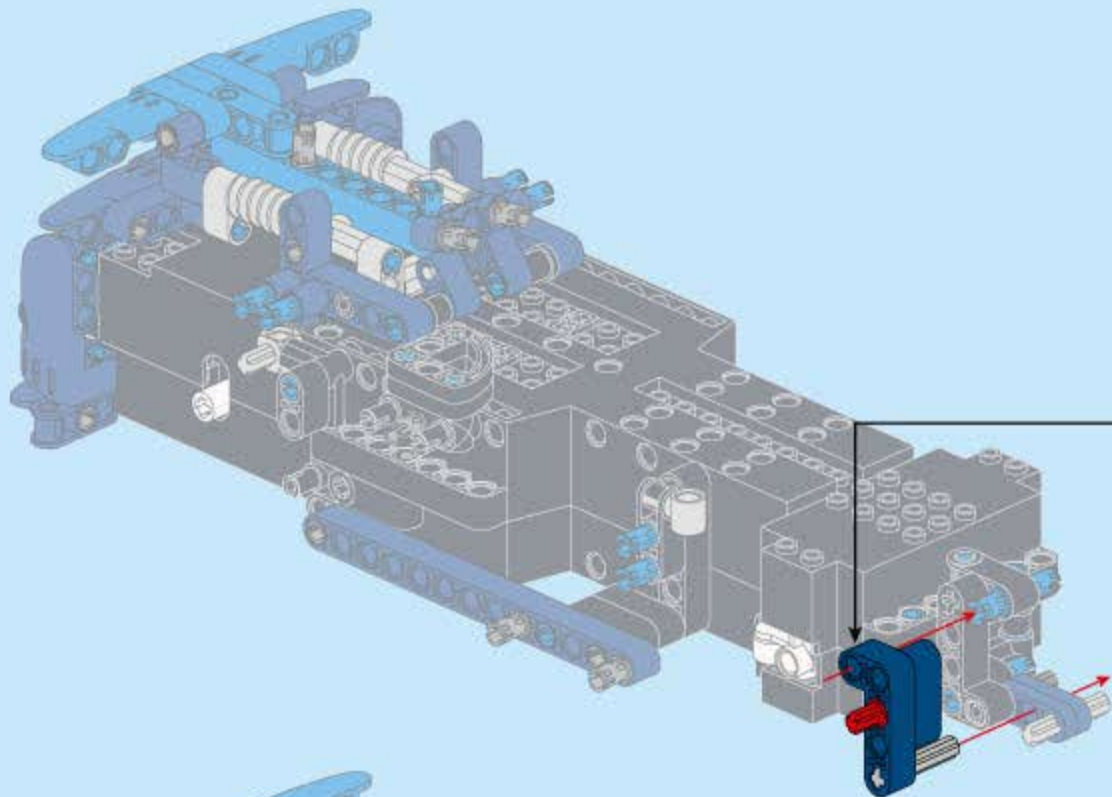
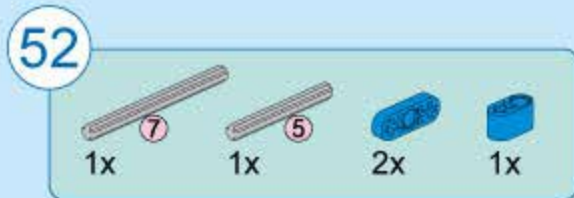
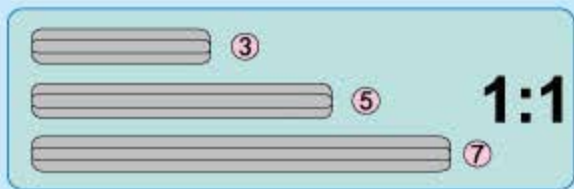
1

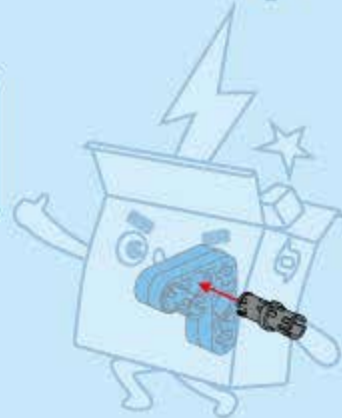
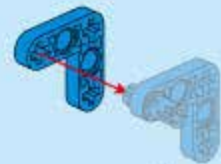
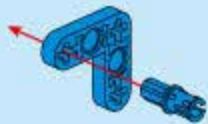
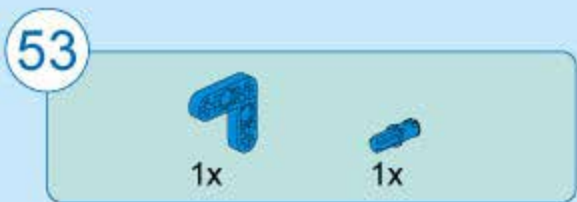
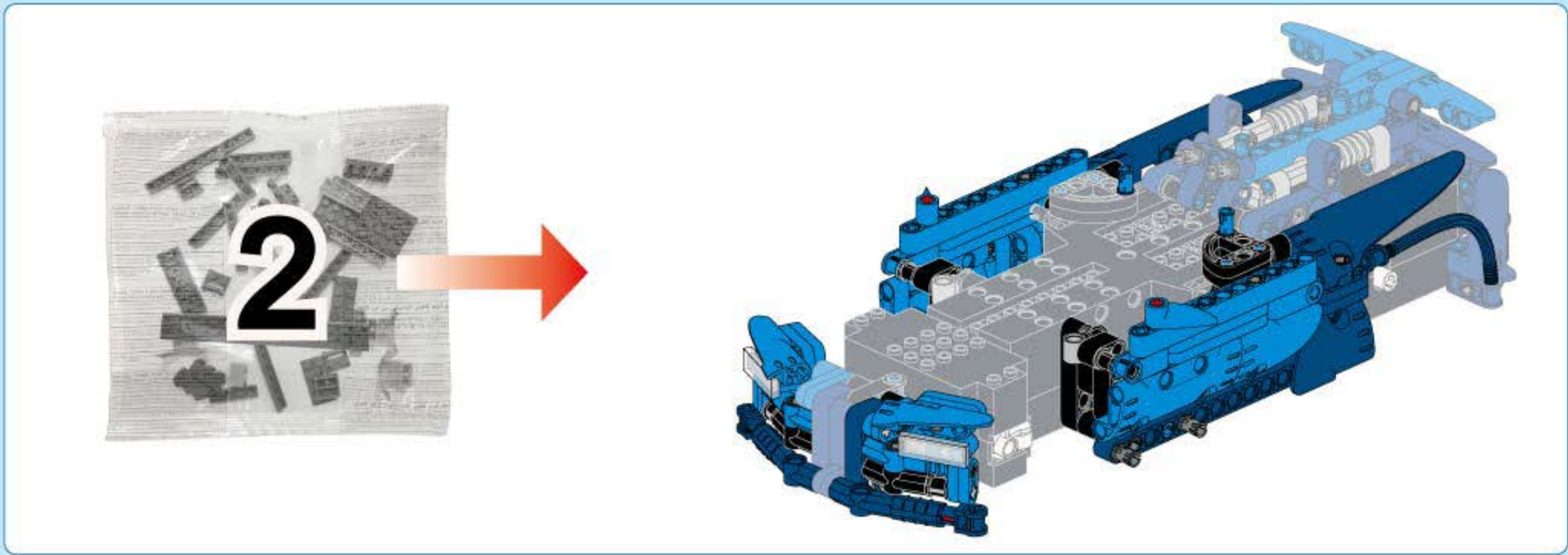


2

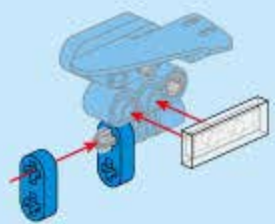
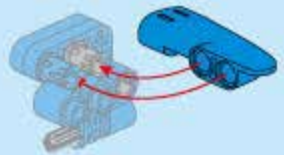
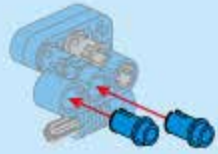
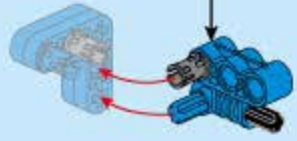
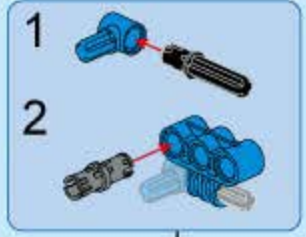


1:1

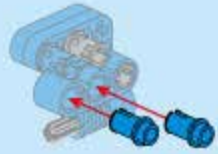




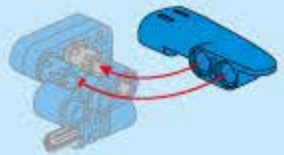
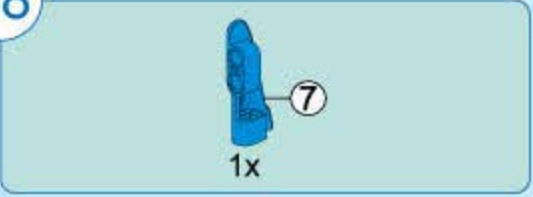
56



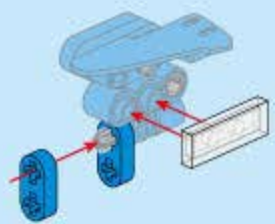
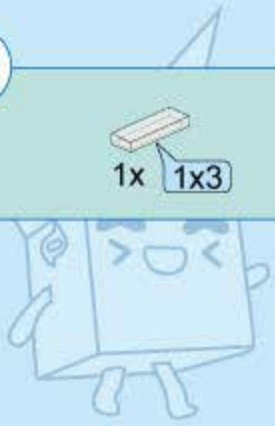
57



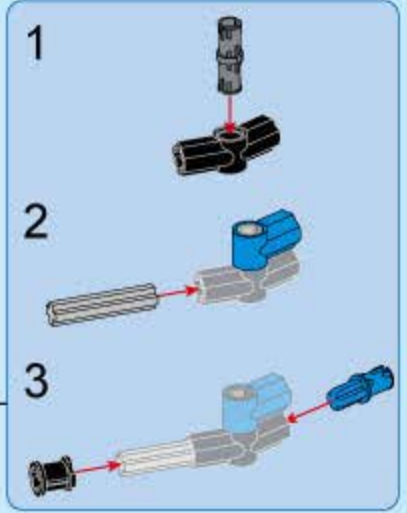
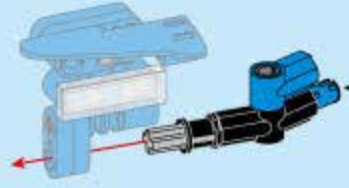
58



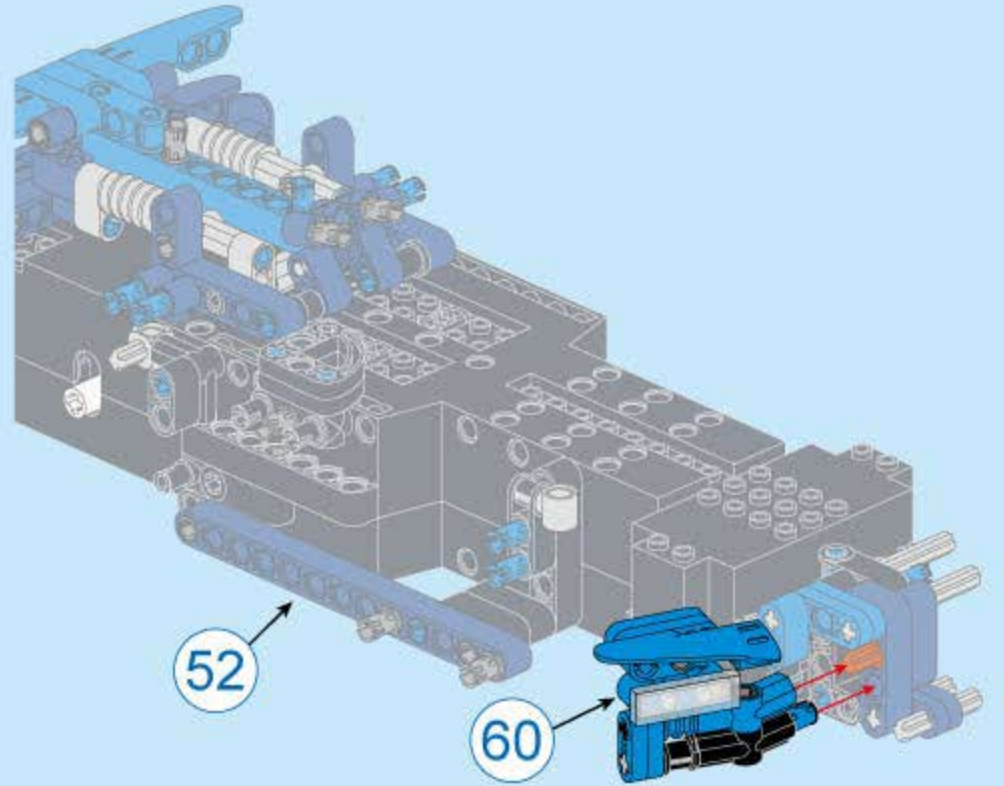
59



60



61

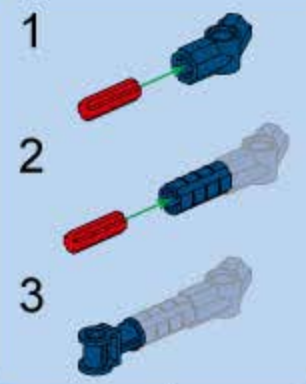
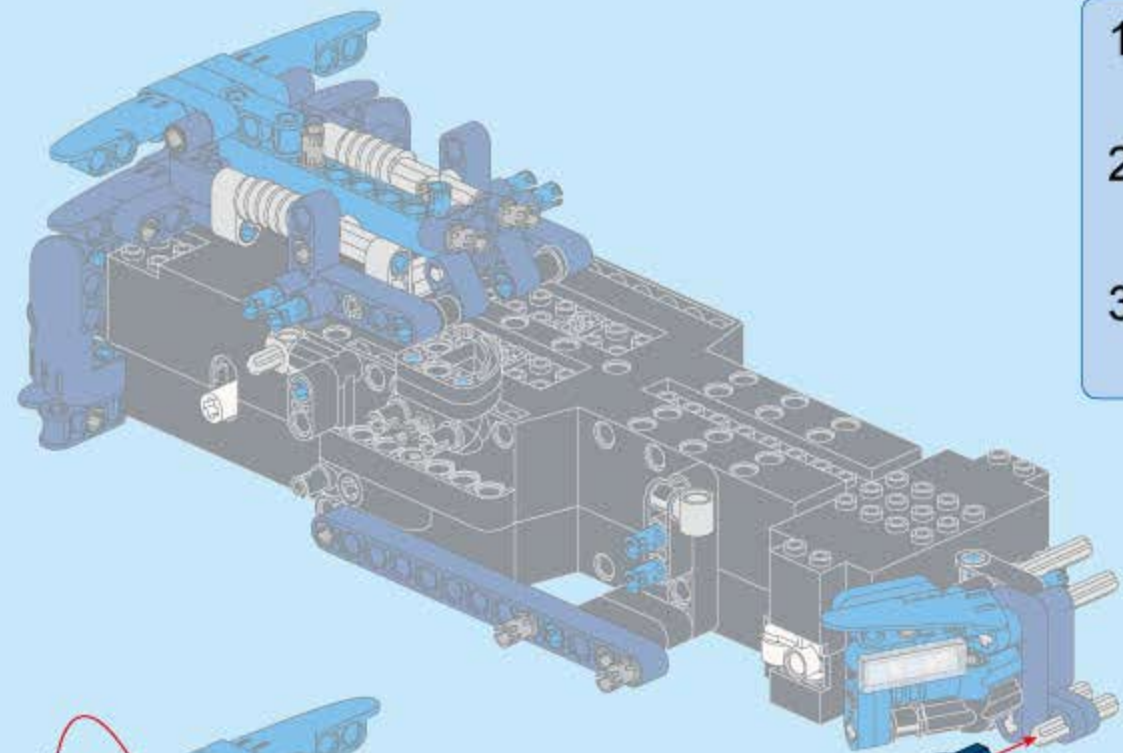


63

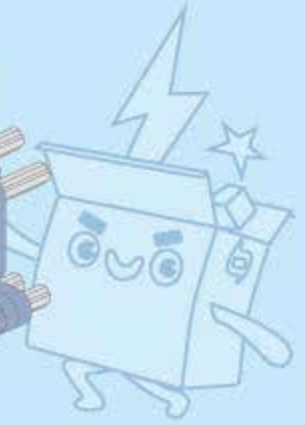
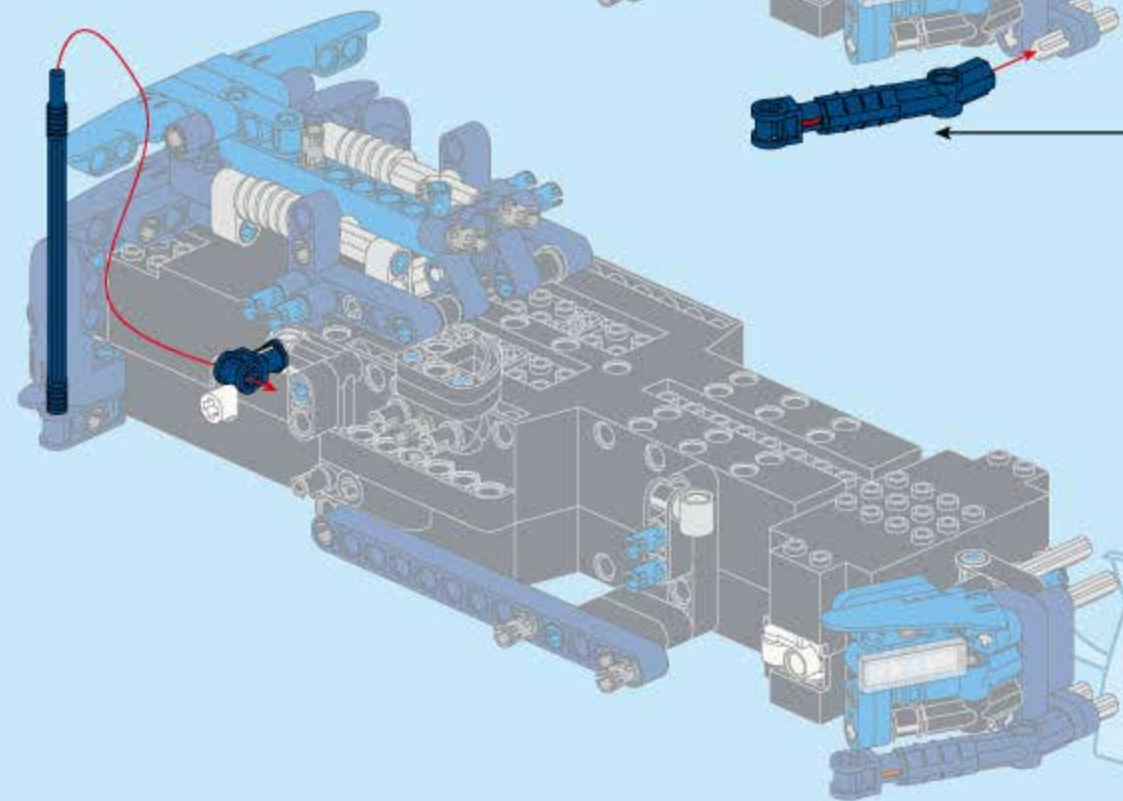
157°



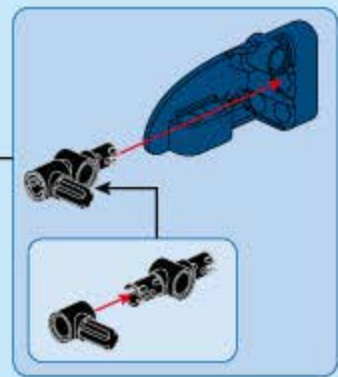
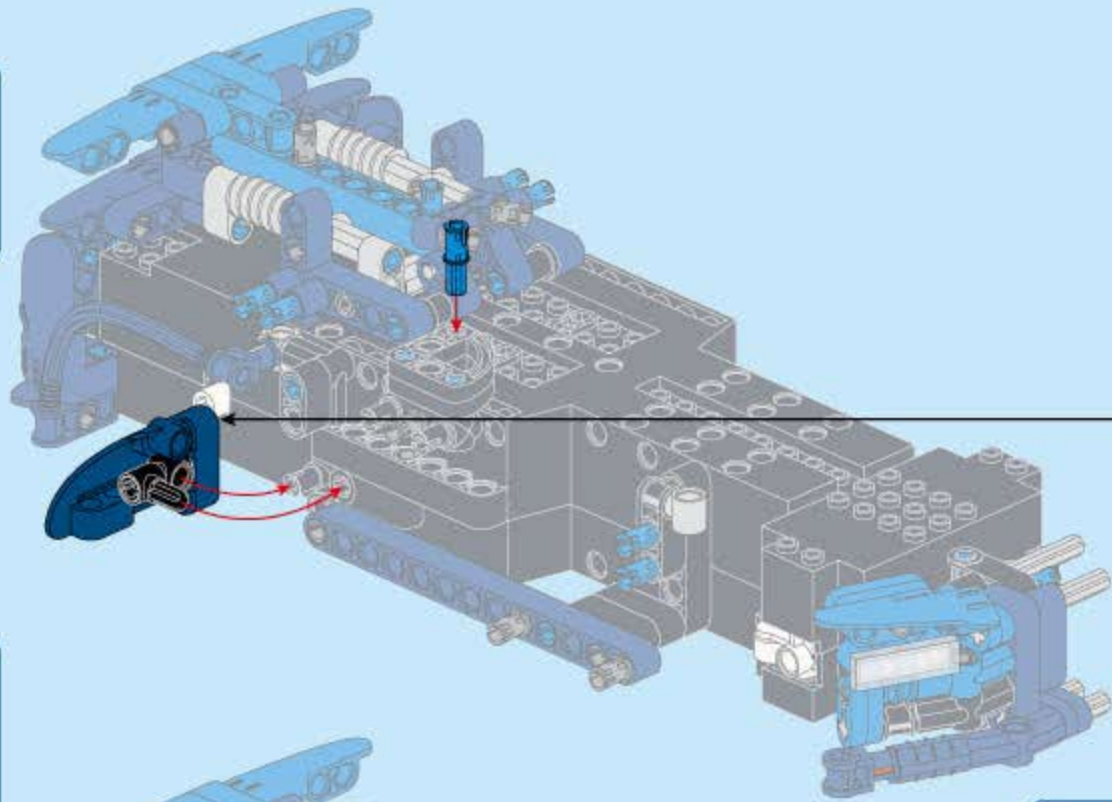
1:1



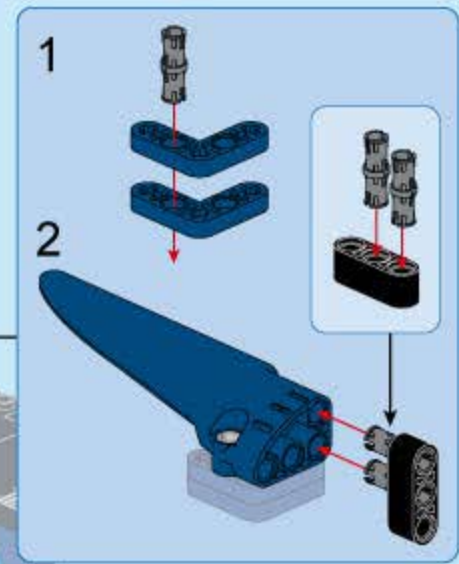
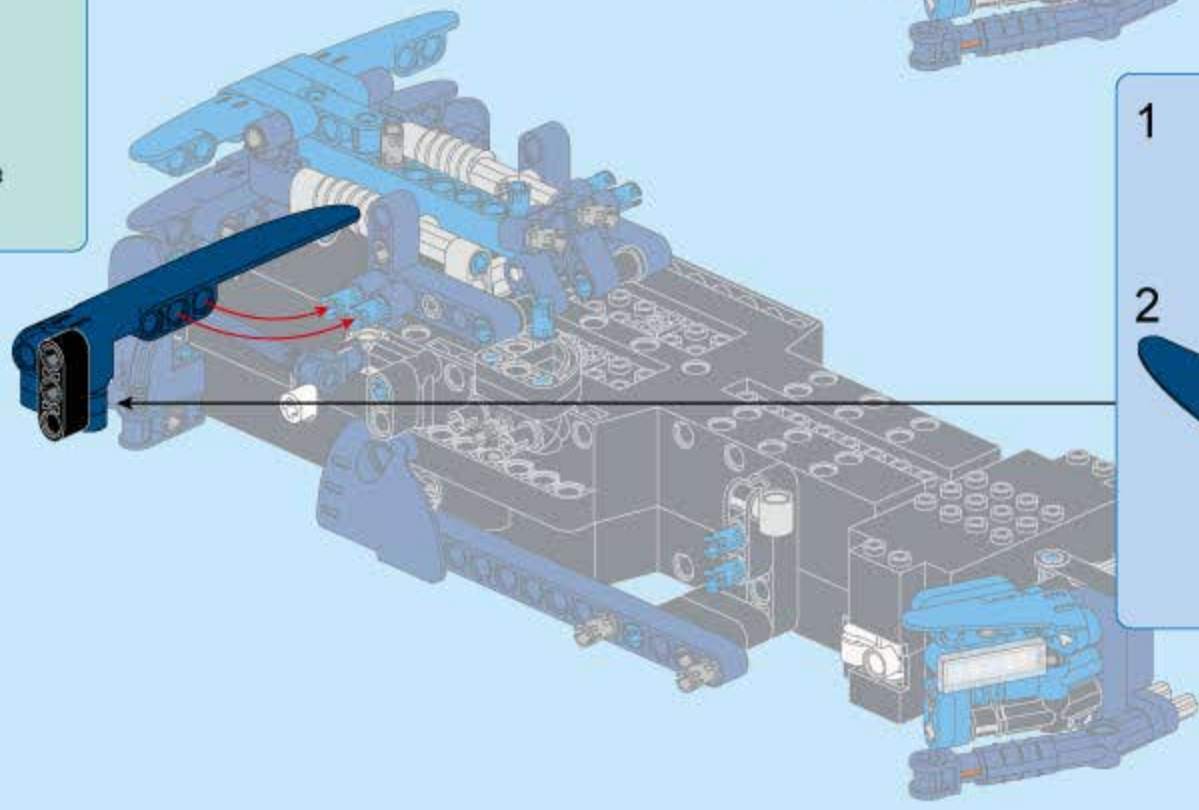
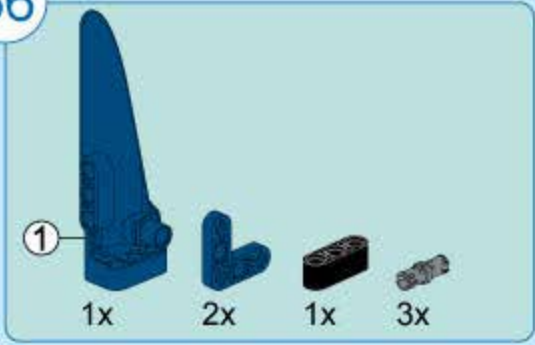
64



65

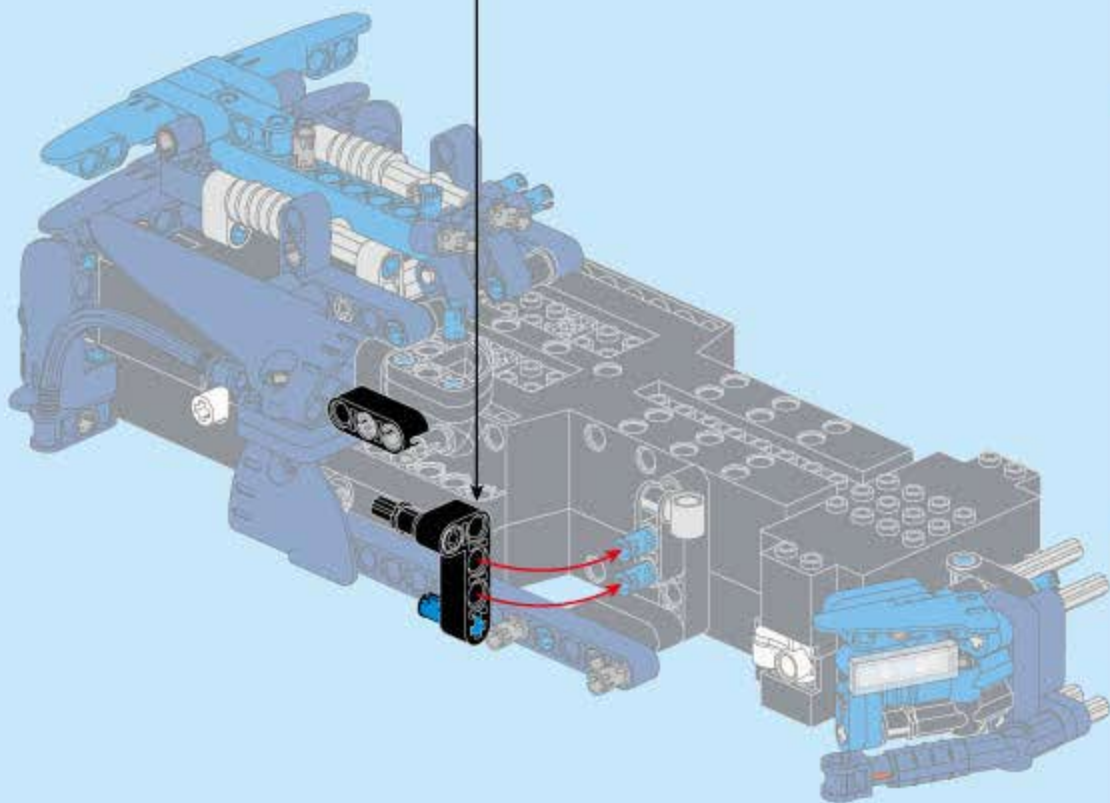
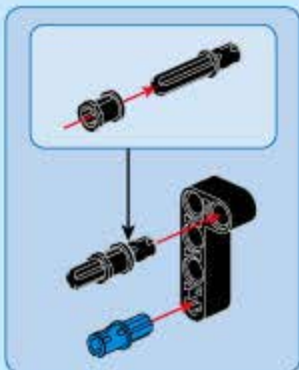


66

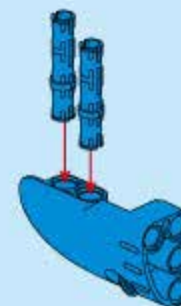




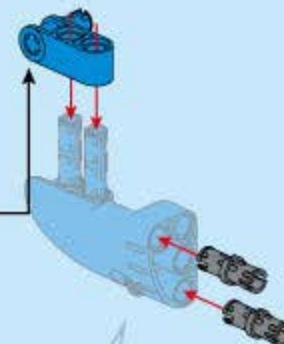
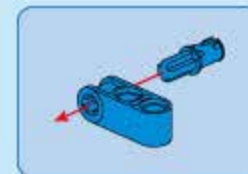
67



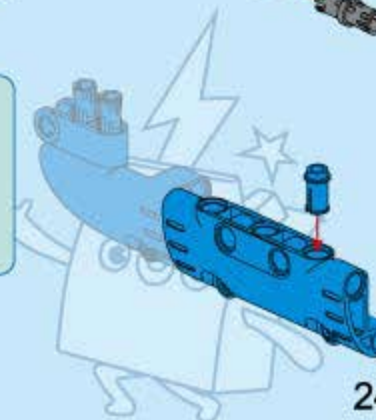
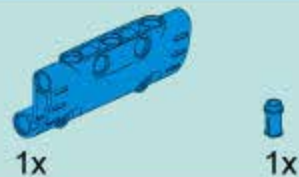
68



69

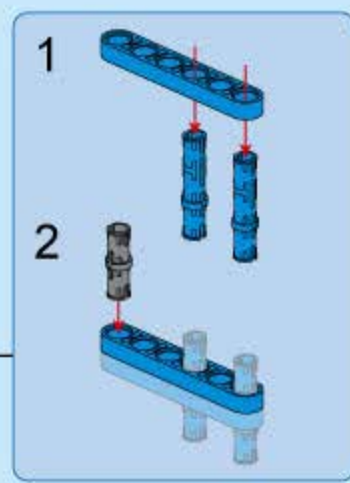
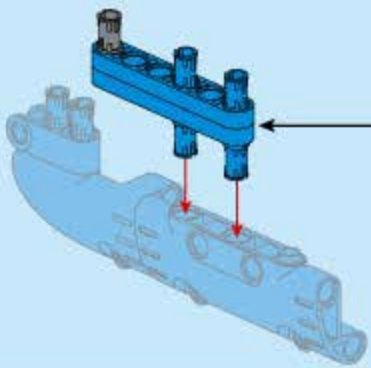


70

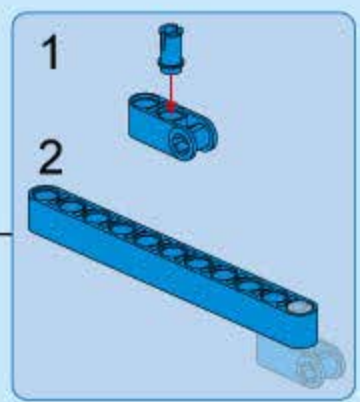
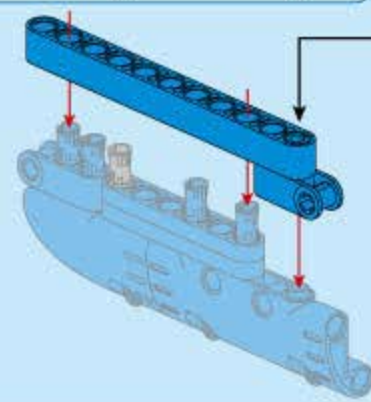
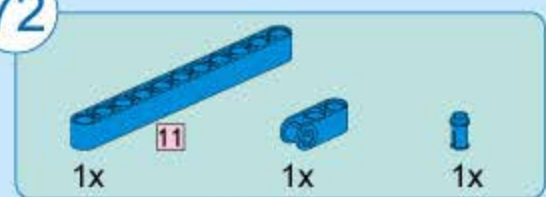




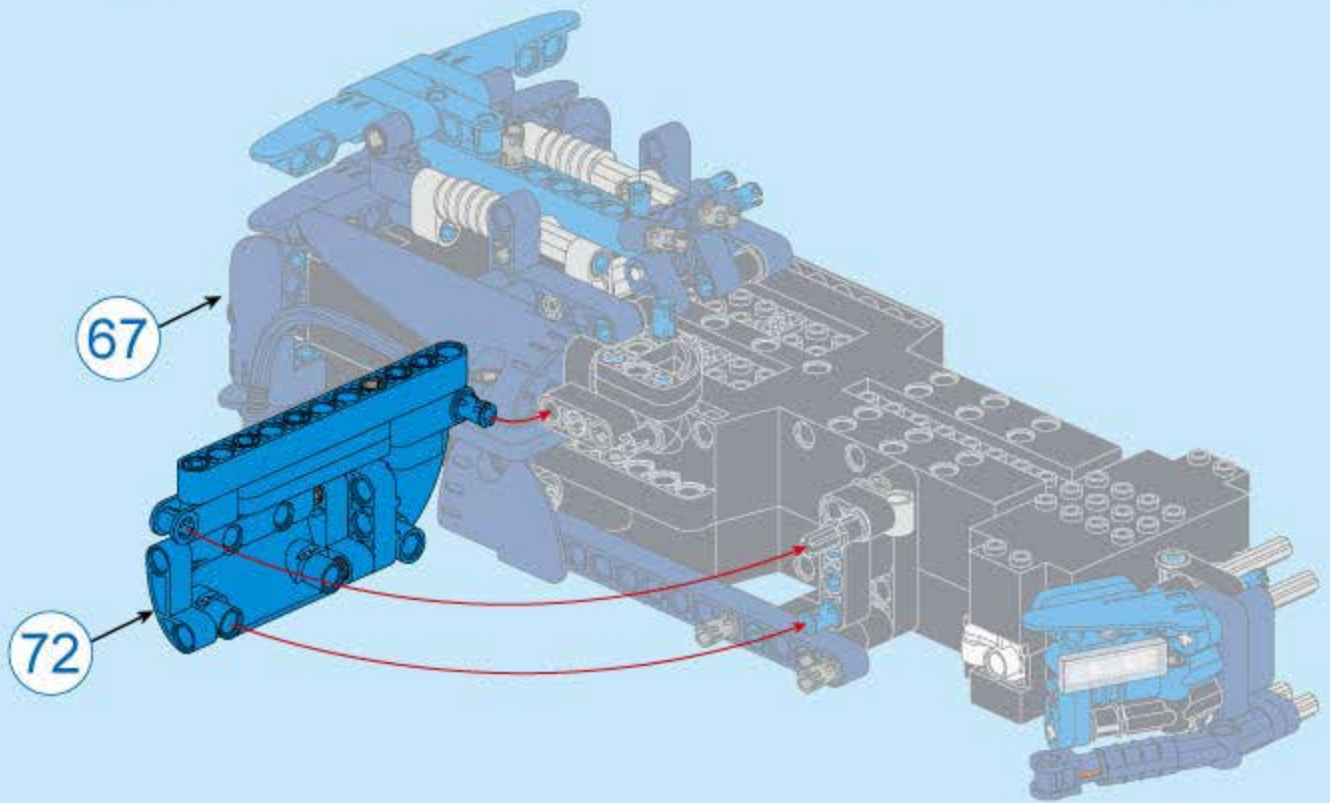
71



72



73



74



1x



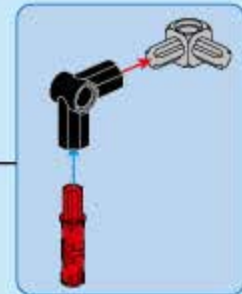
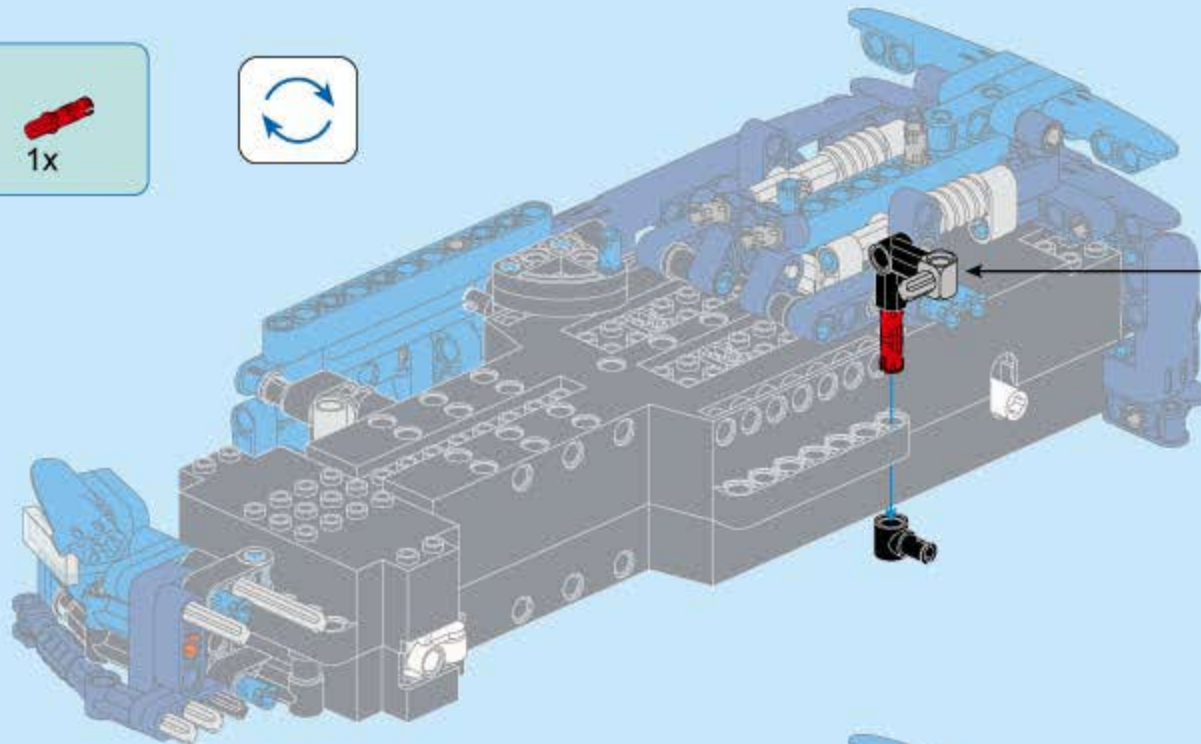
1x



1x



1x



75



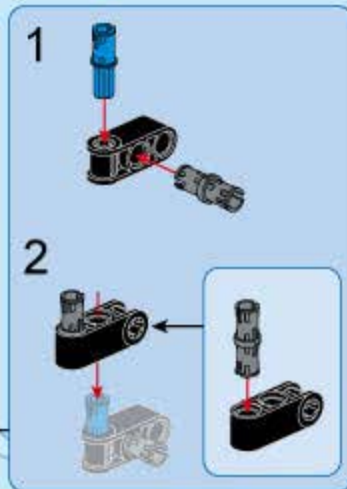
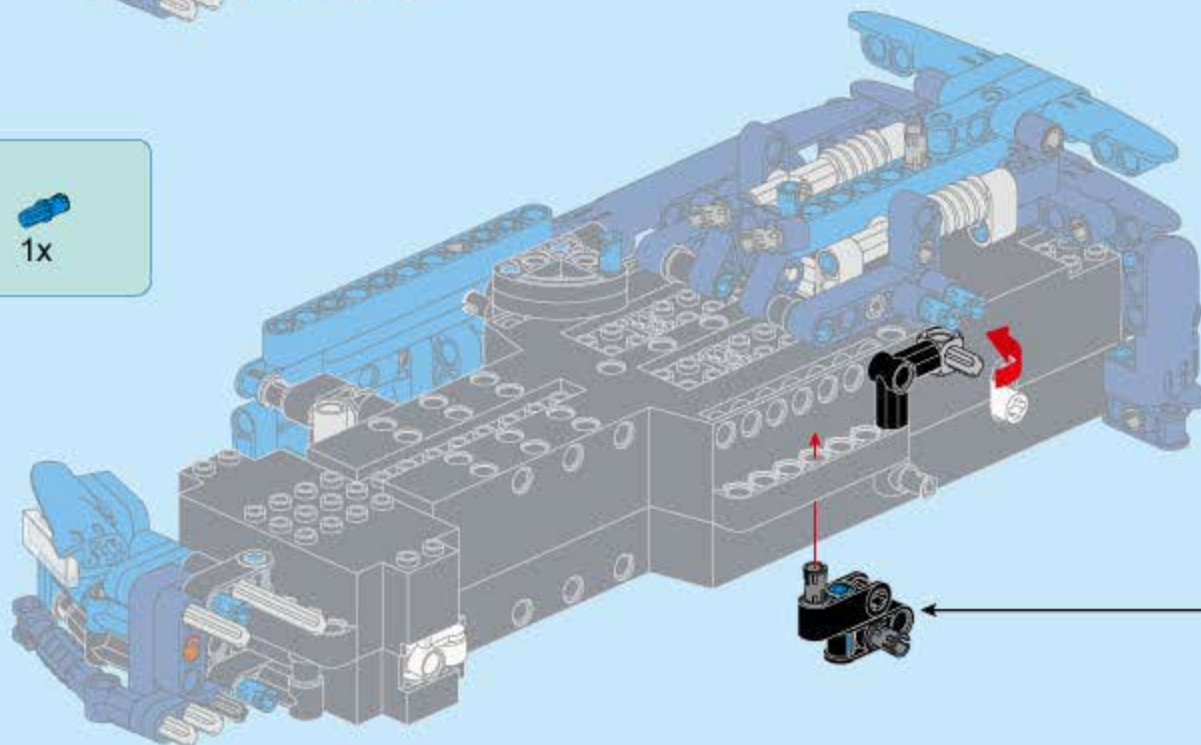
2x



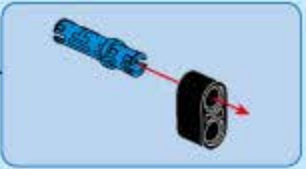
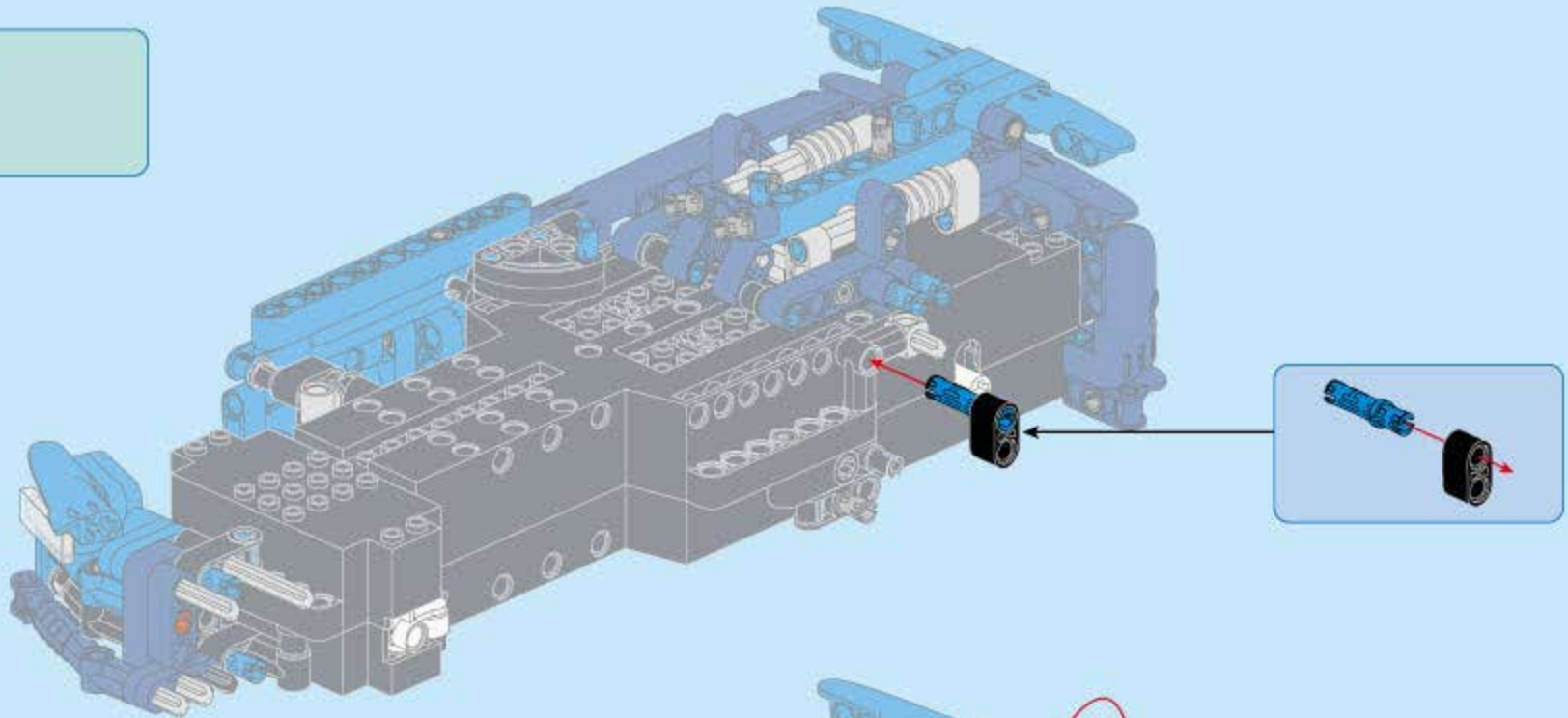
2x



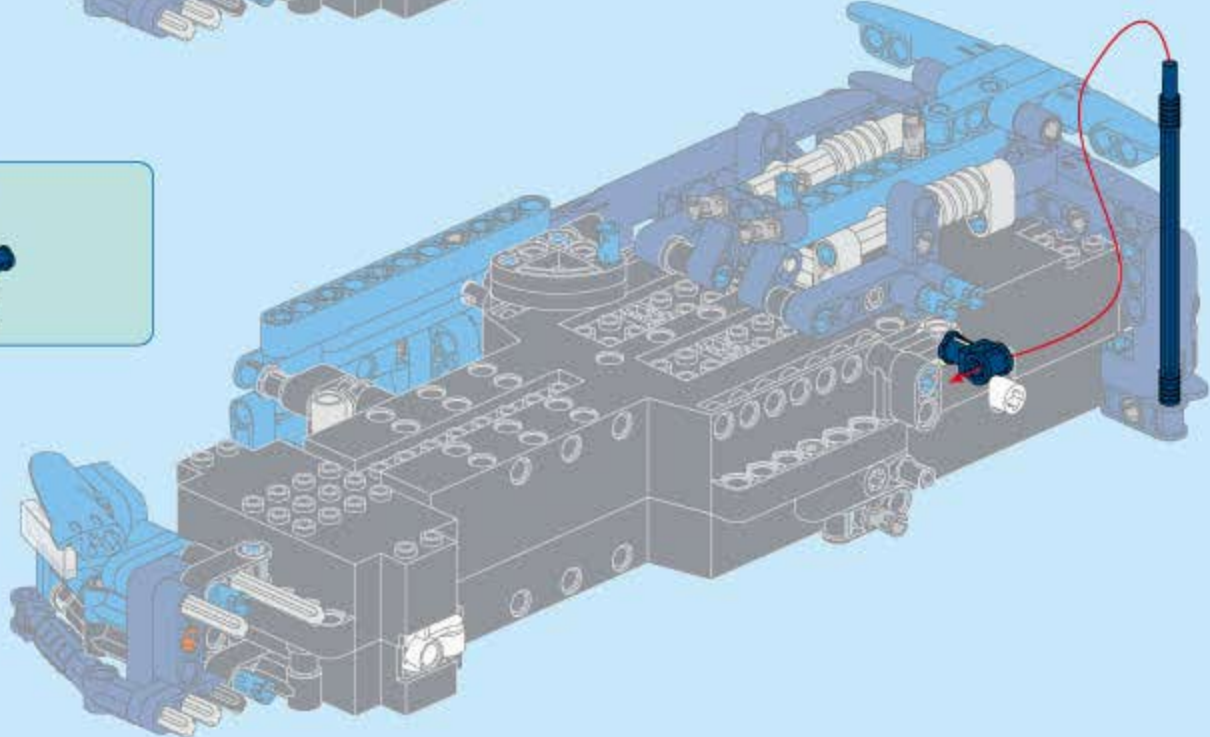
1x



76



77

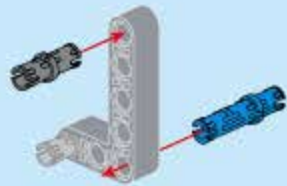




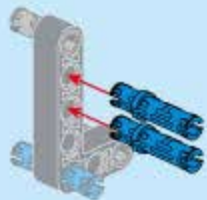
78



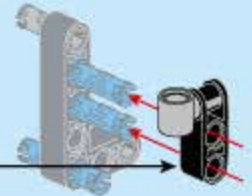
79



80



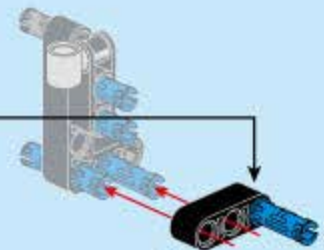
81



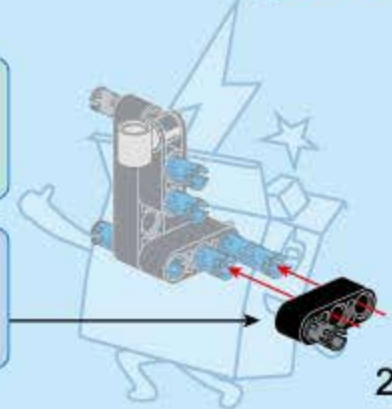
82



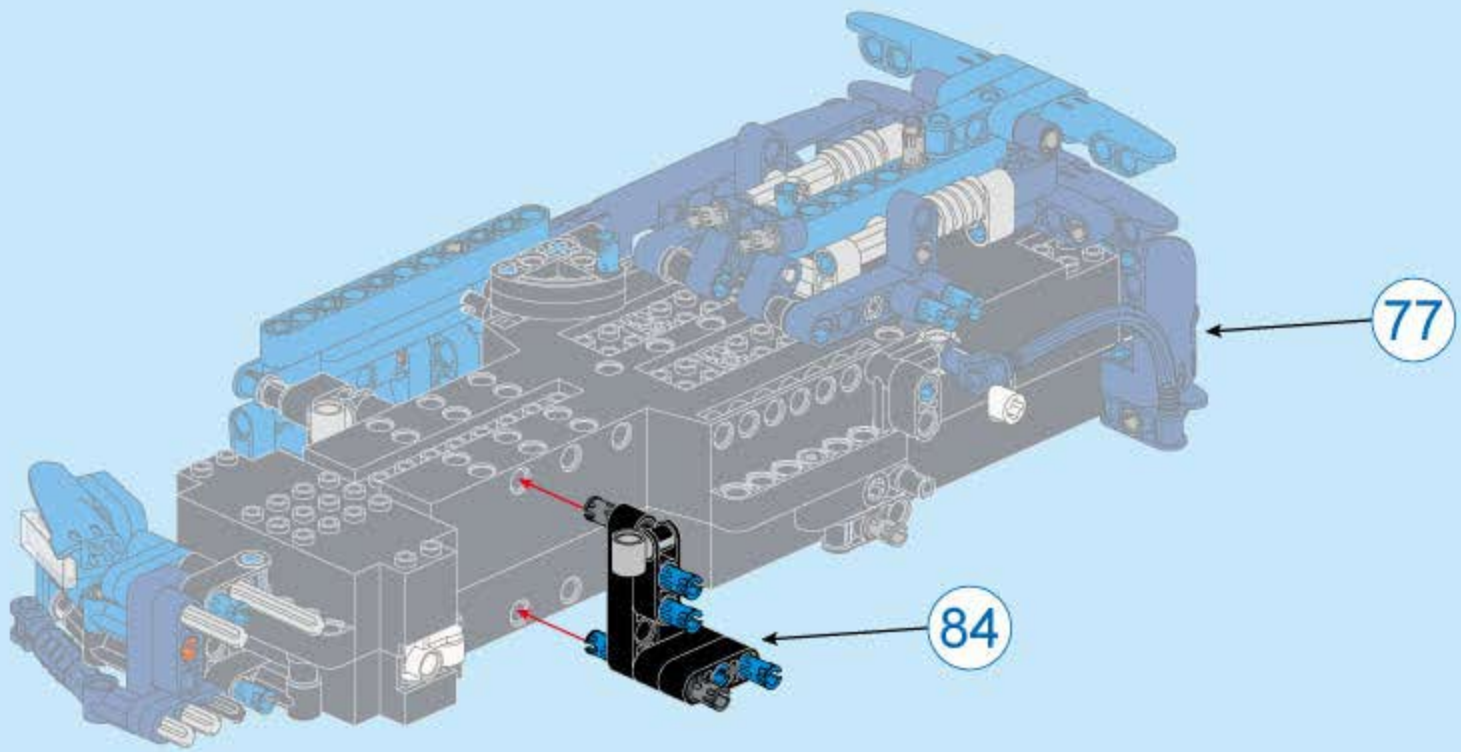
83



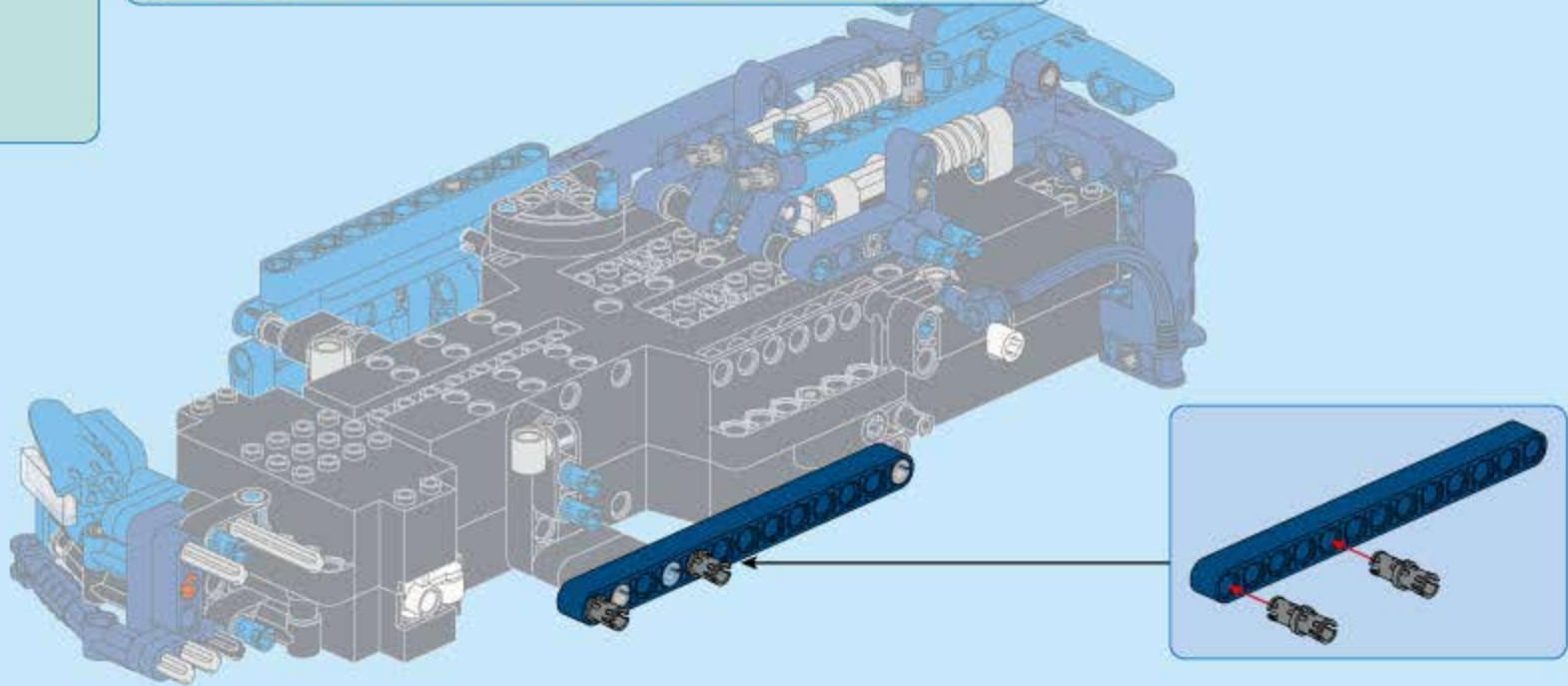
84



85



86



87



1x



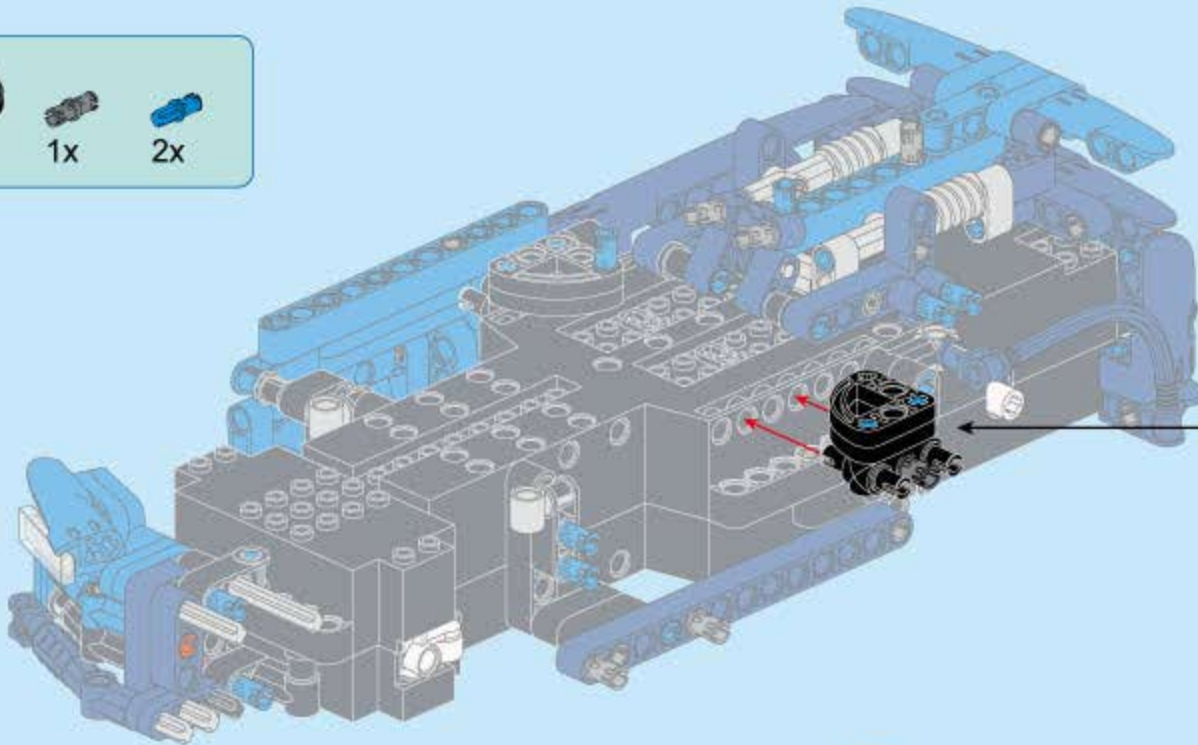
2x



1x



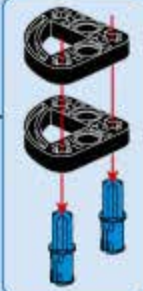
2x



1



2



88



1x



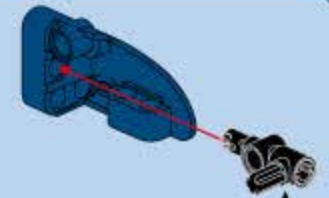
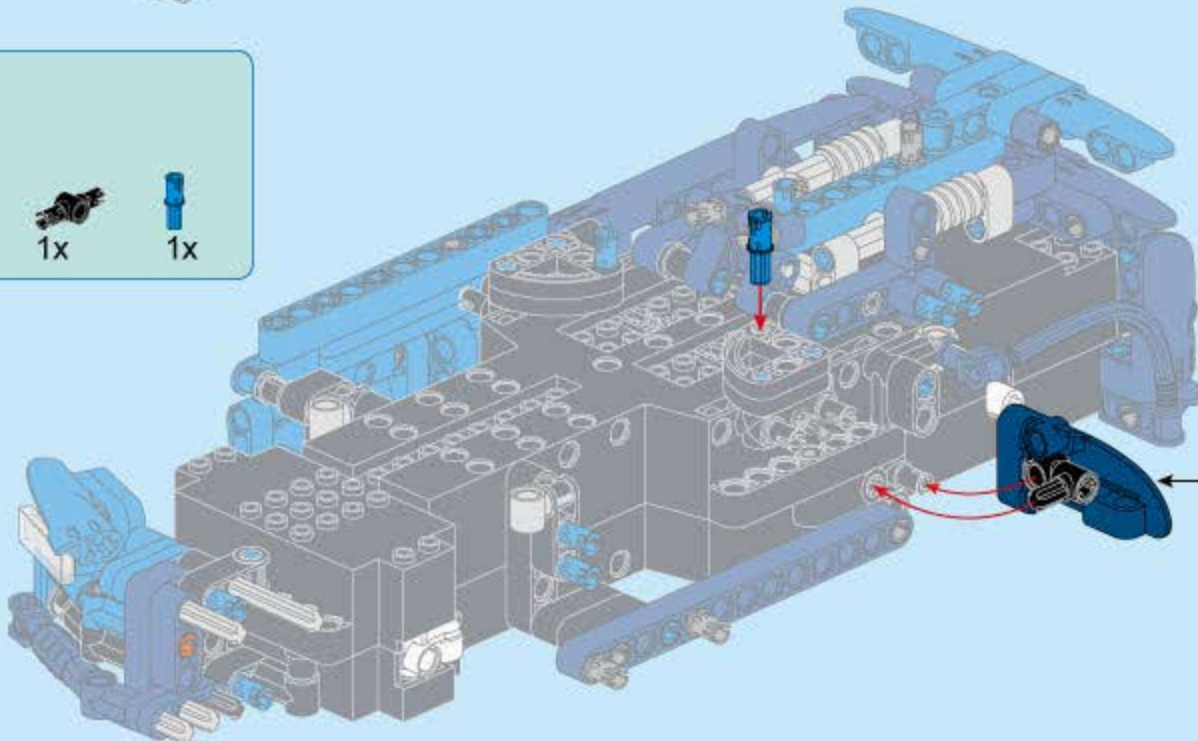
1x



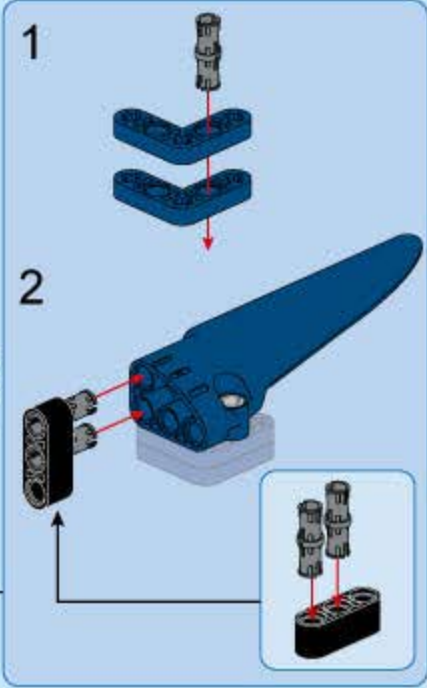
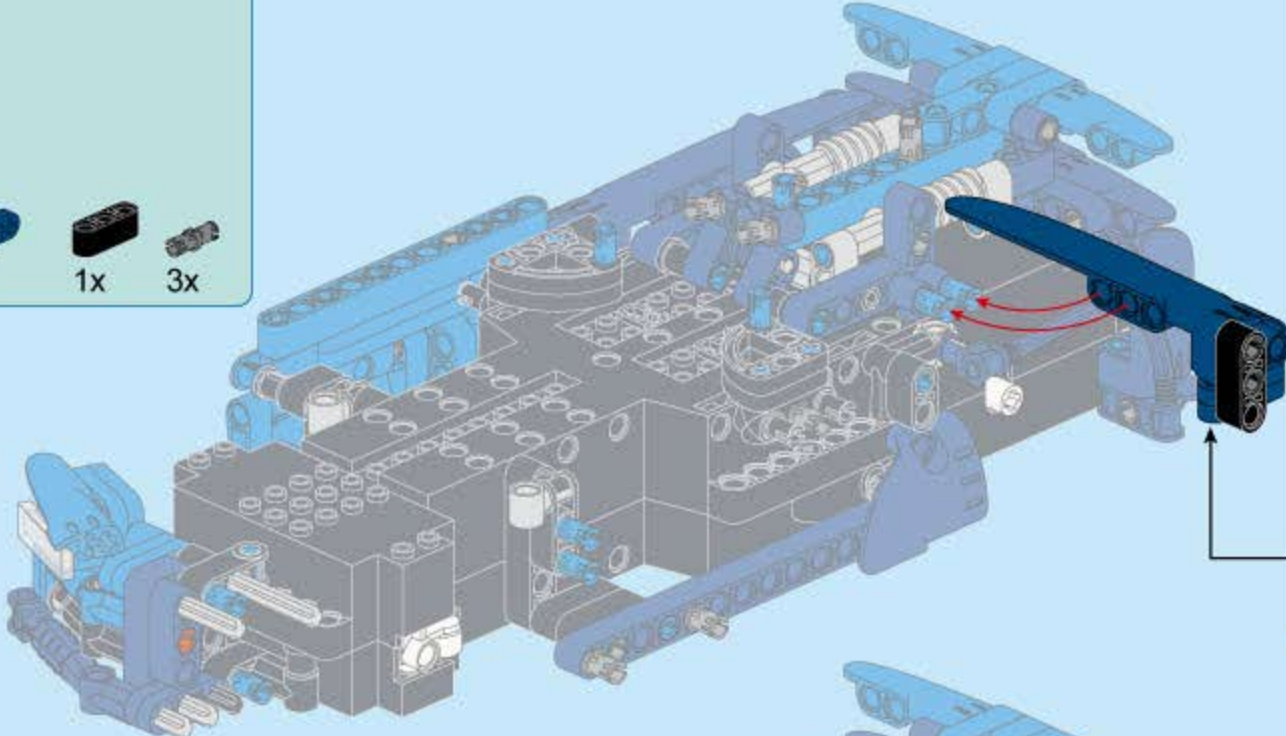
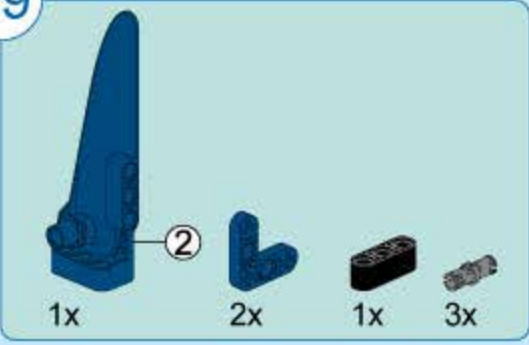
1x



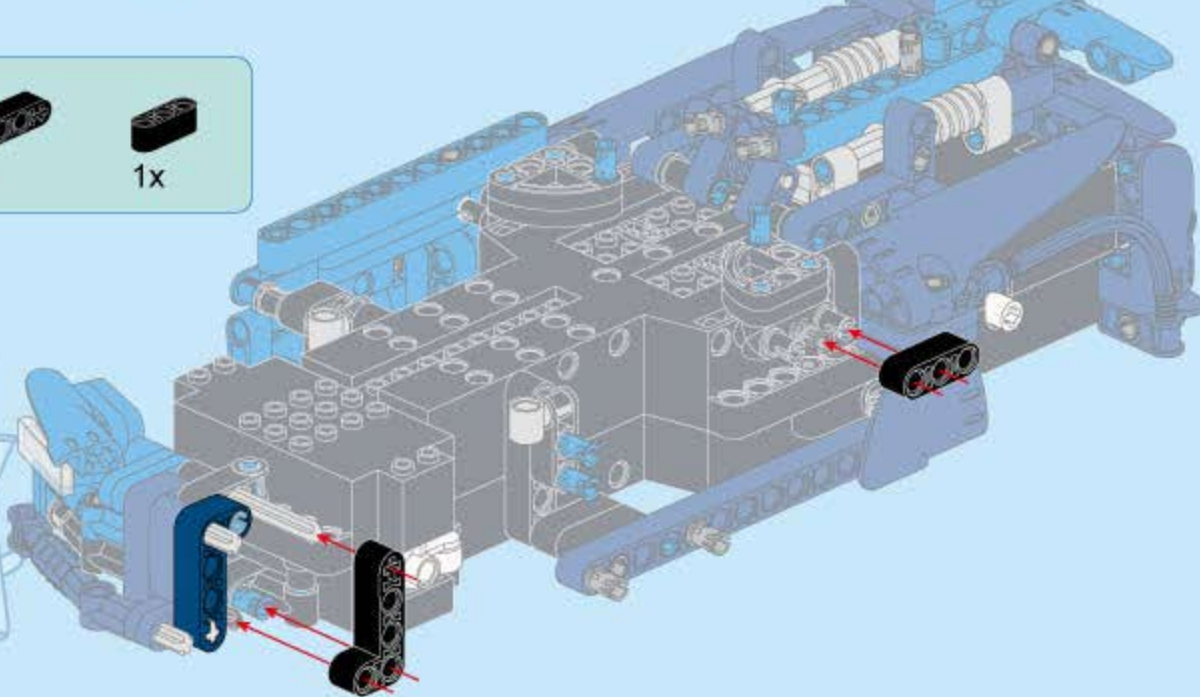
1x



89

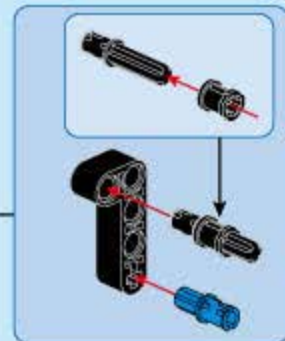
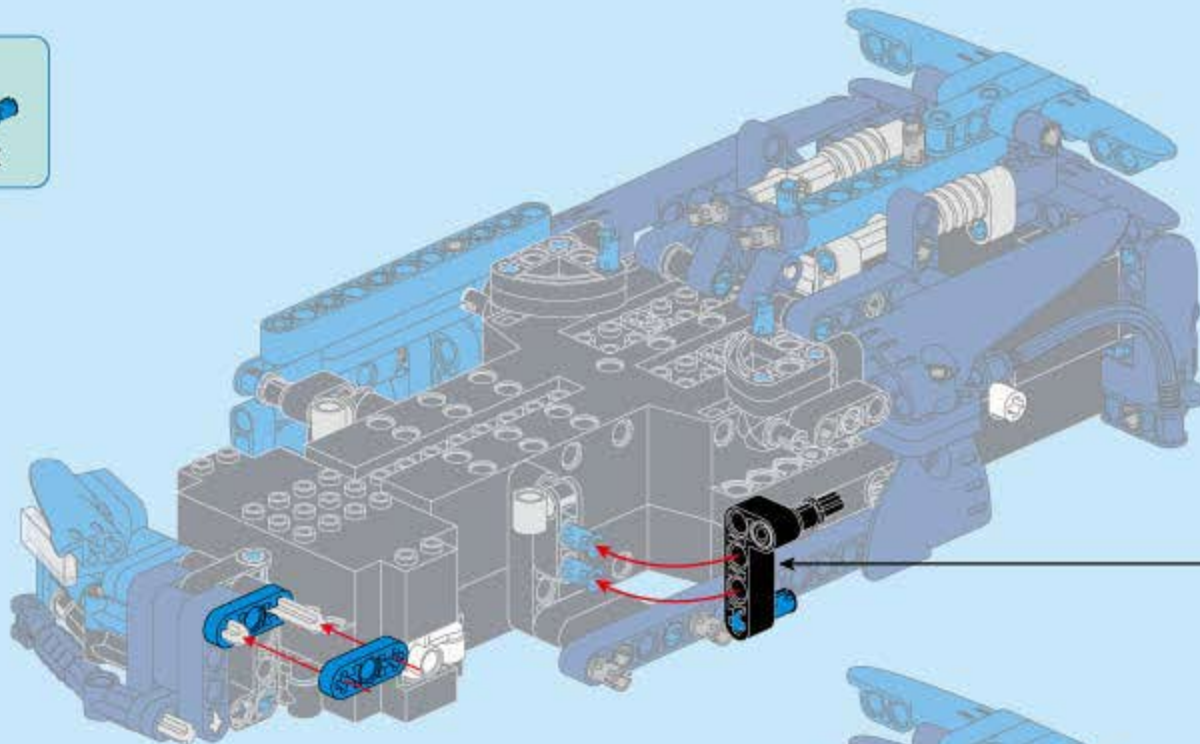


90

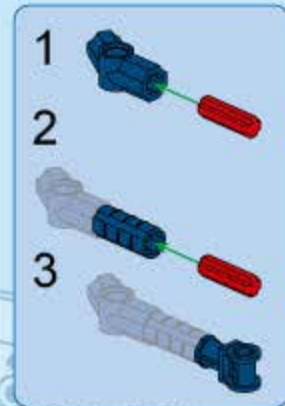
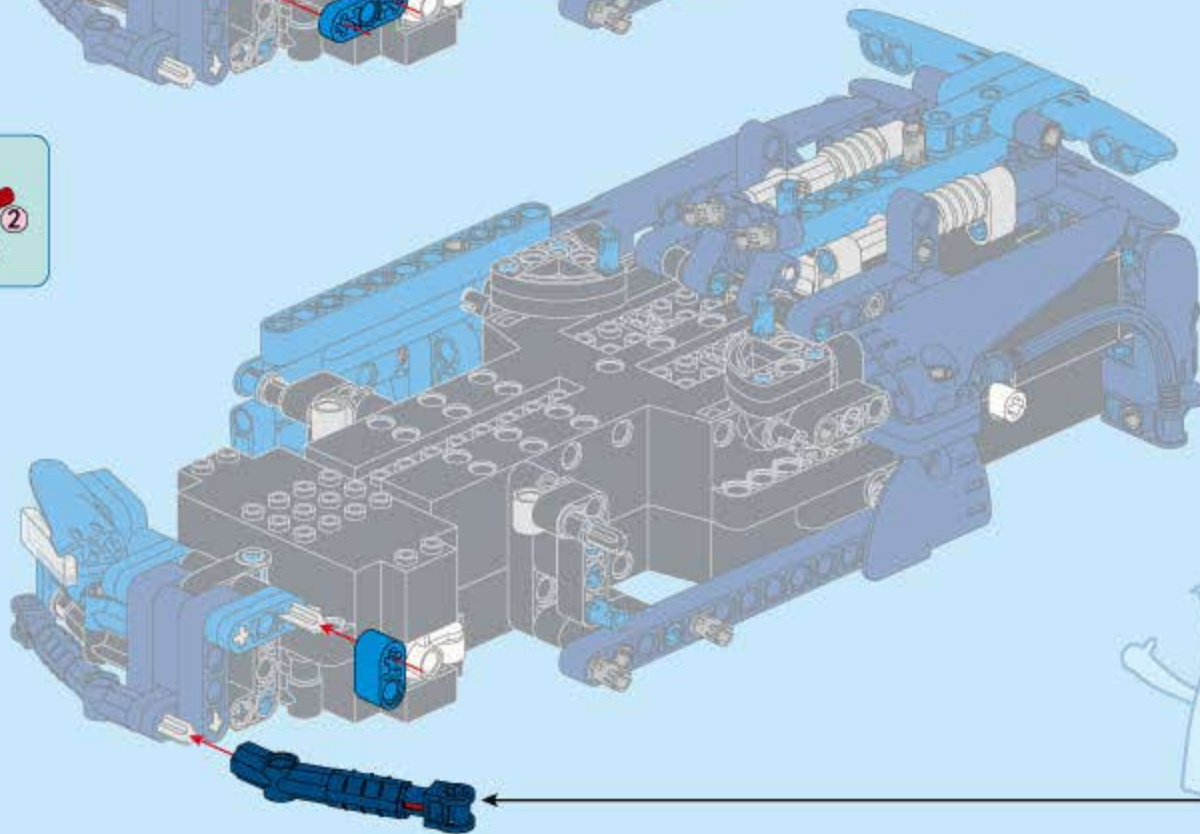


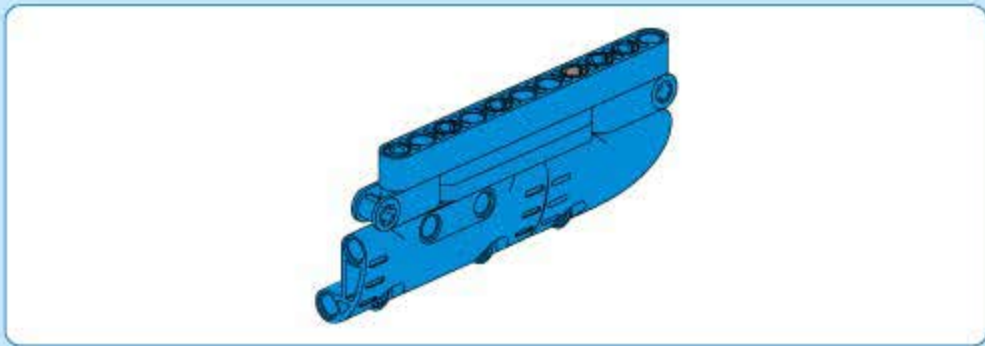


91

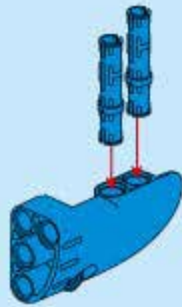
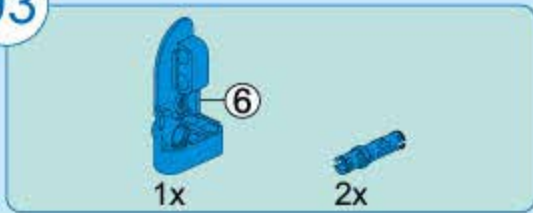


92

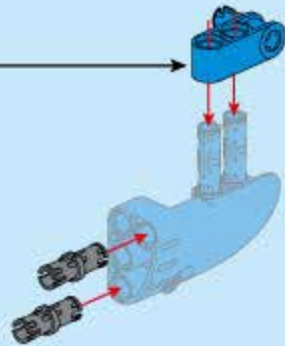




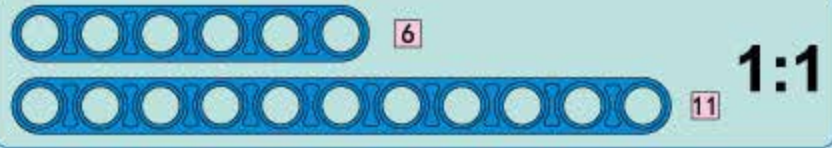
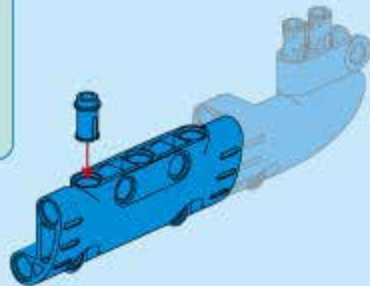
93



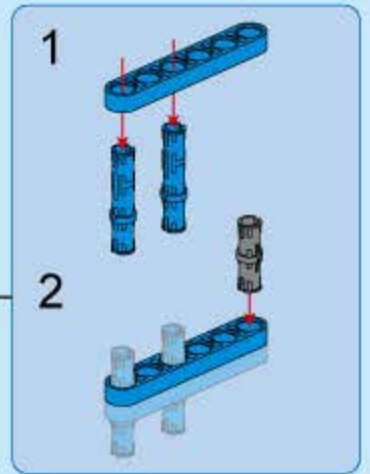
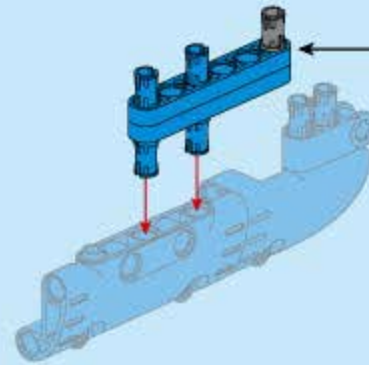
94



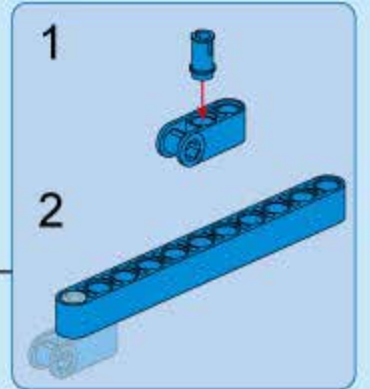
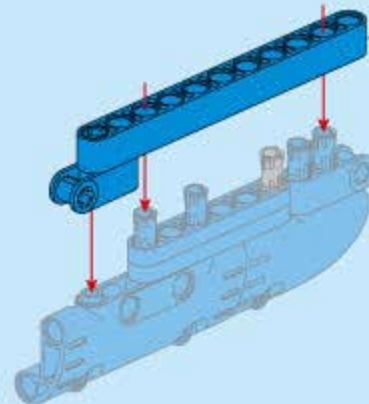
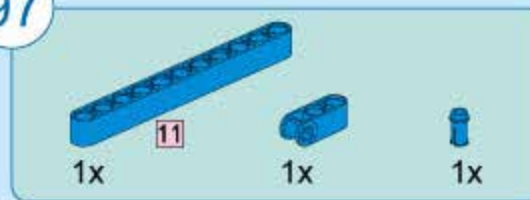
95

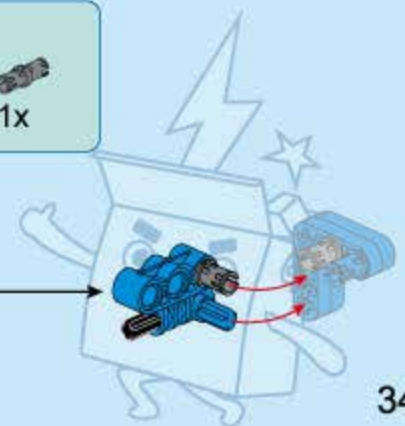
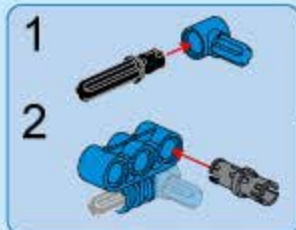
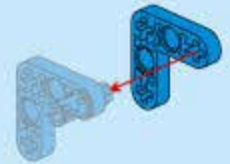
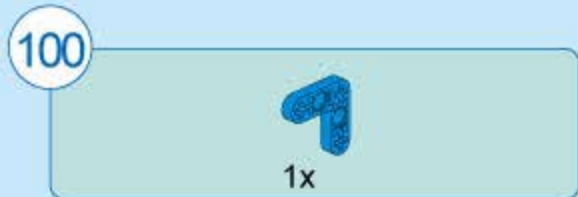
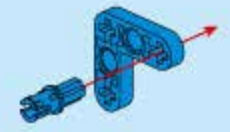
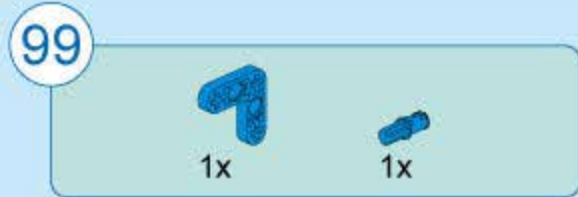
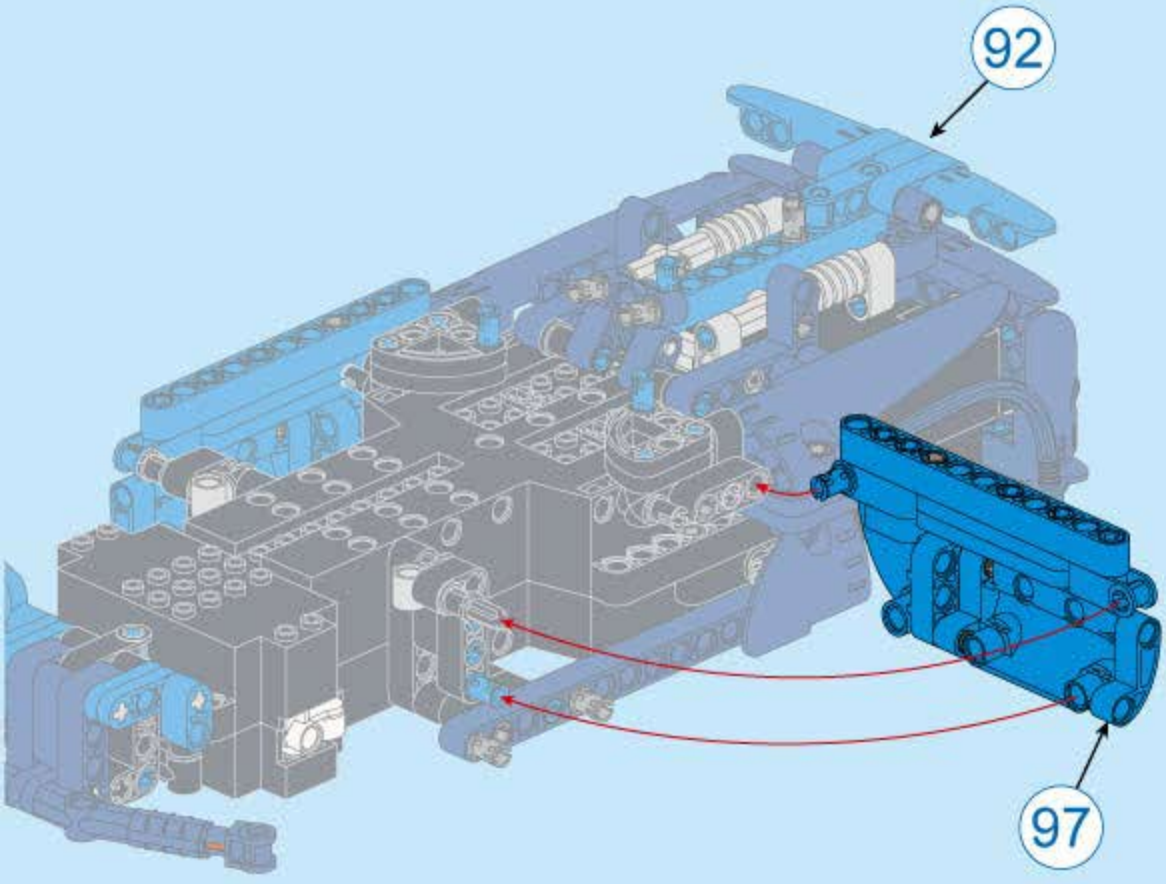


96



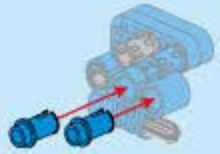
97





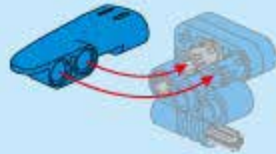
103

2x



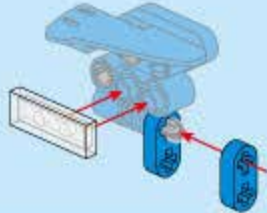
104

1x ⑧



105

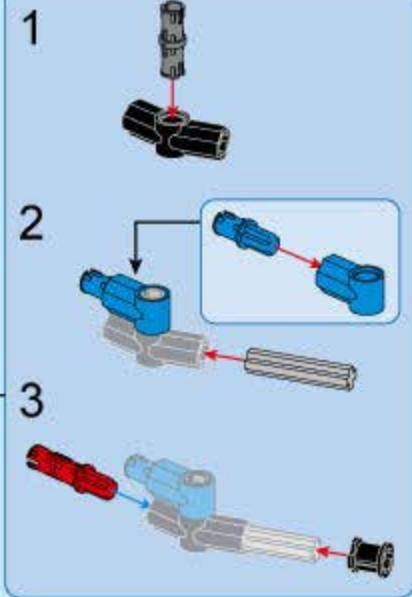
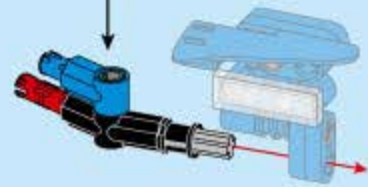
1x 1x3 2x



106

1x 157° 1x 1x 1x 1x  
1x 1x ③ 1x

③ 1:1

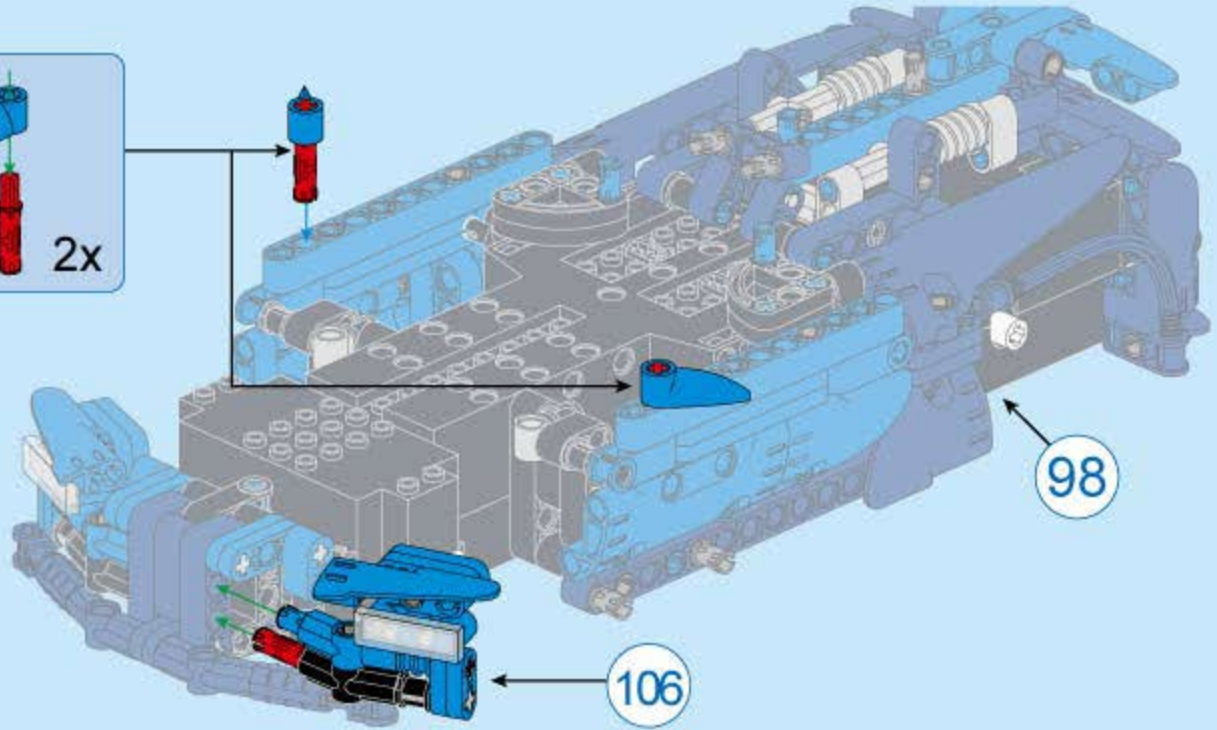


107

2x 2x



2x



98

106





108



1x



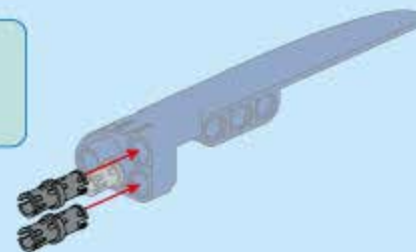
1x



109



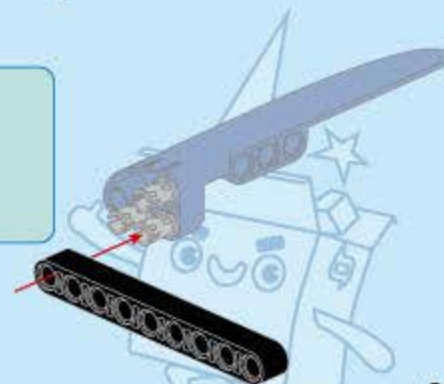
2x

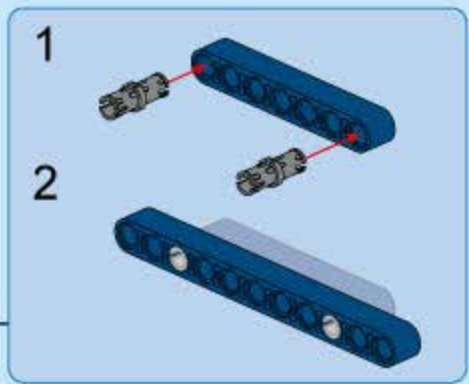
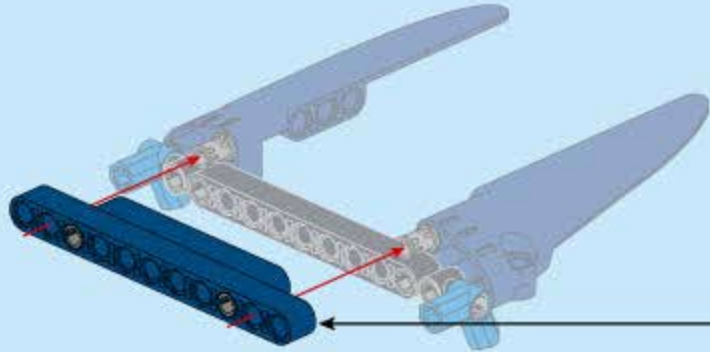
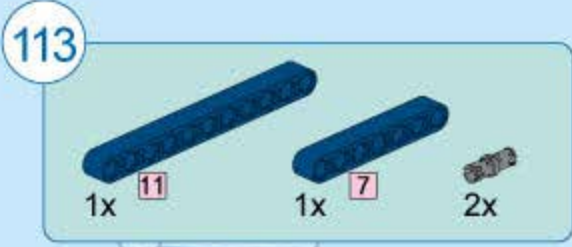
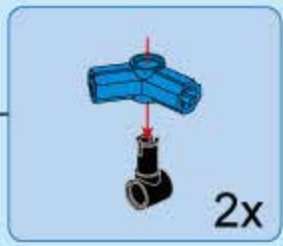
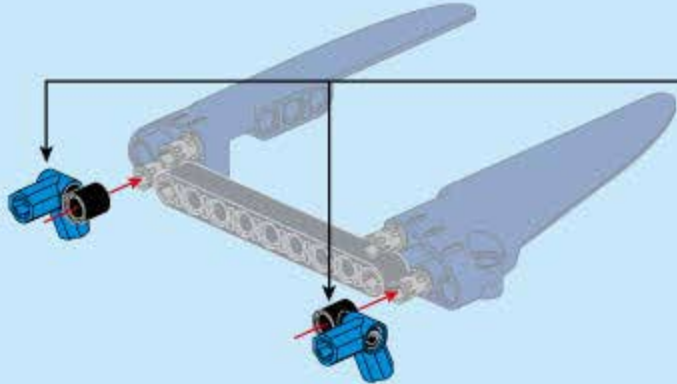
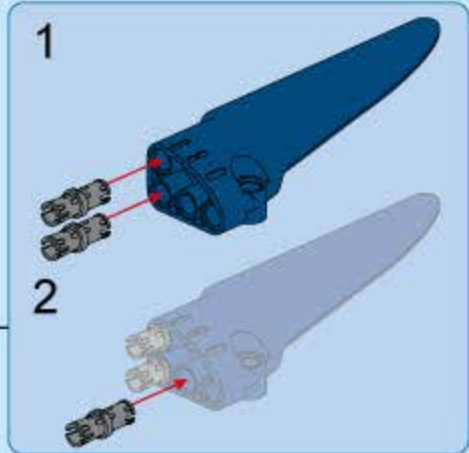
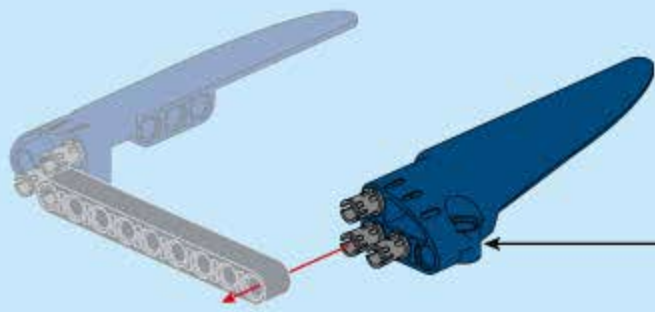
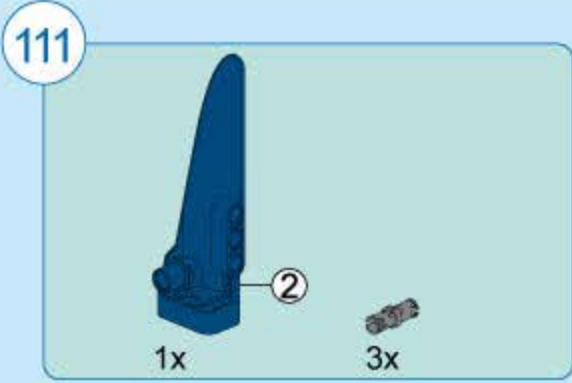
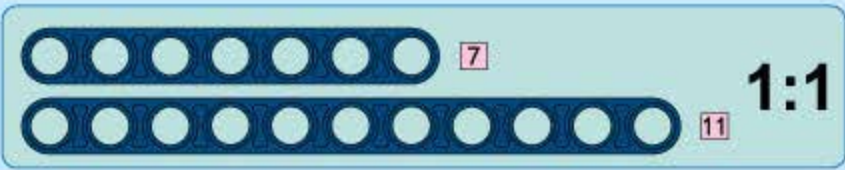


110

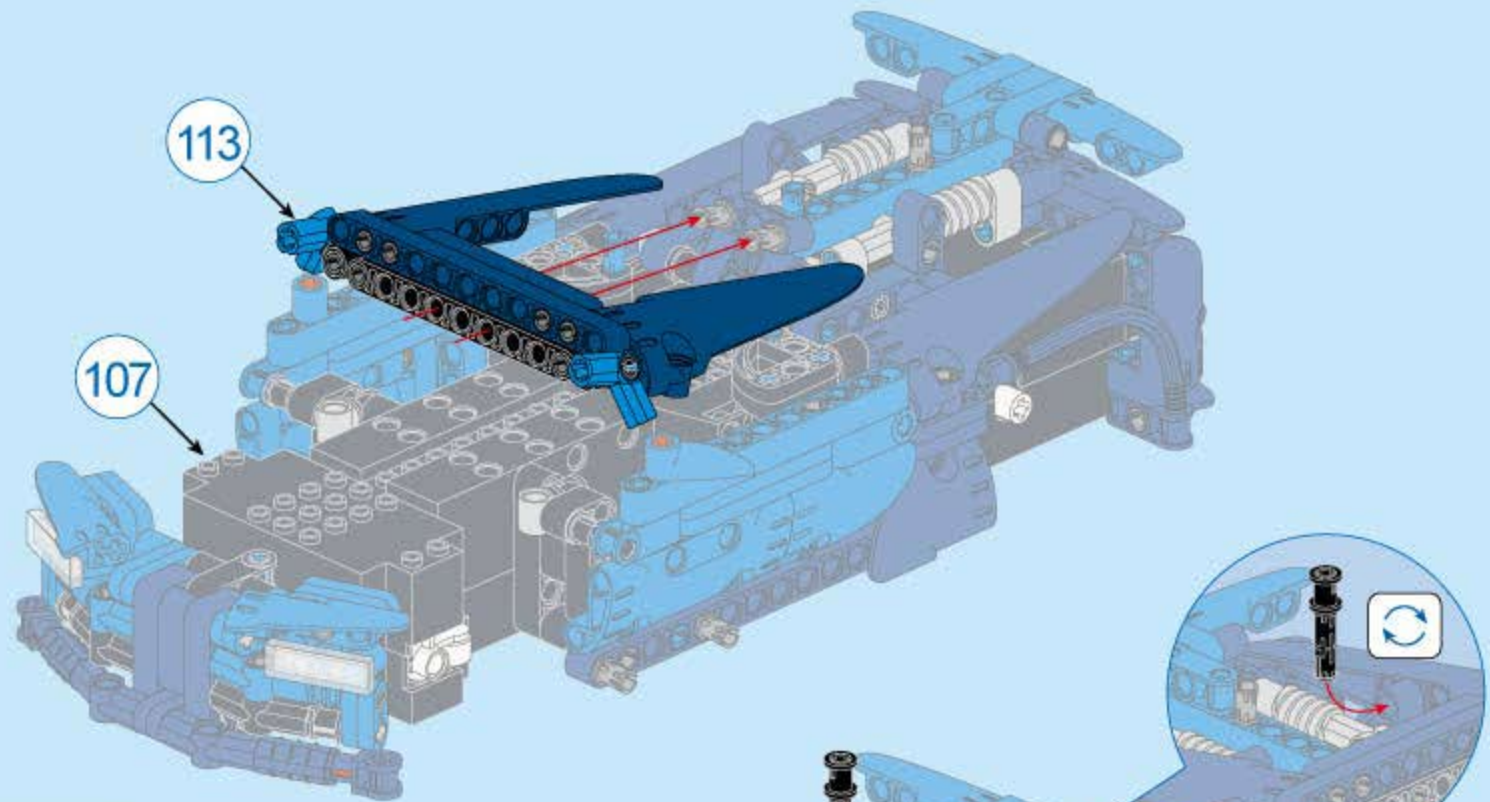


1x

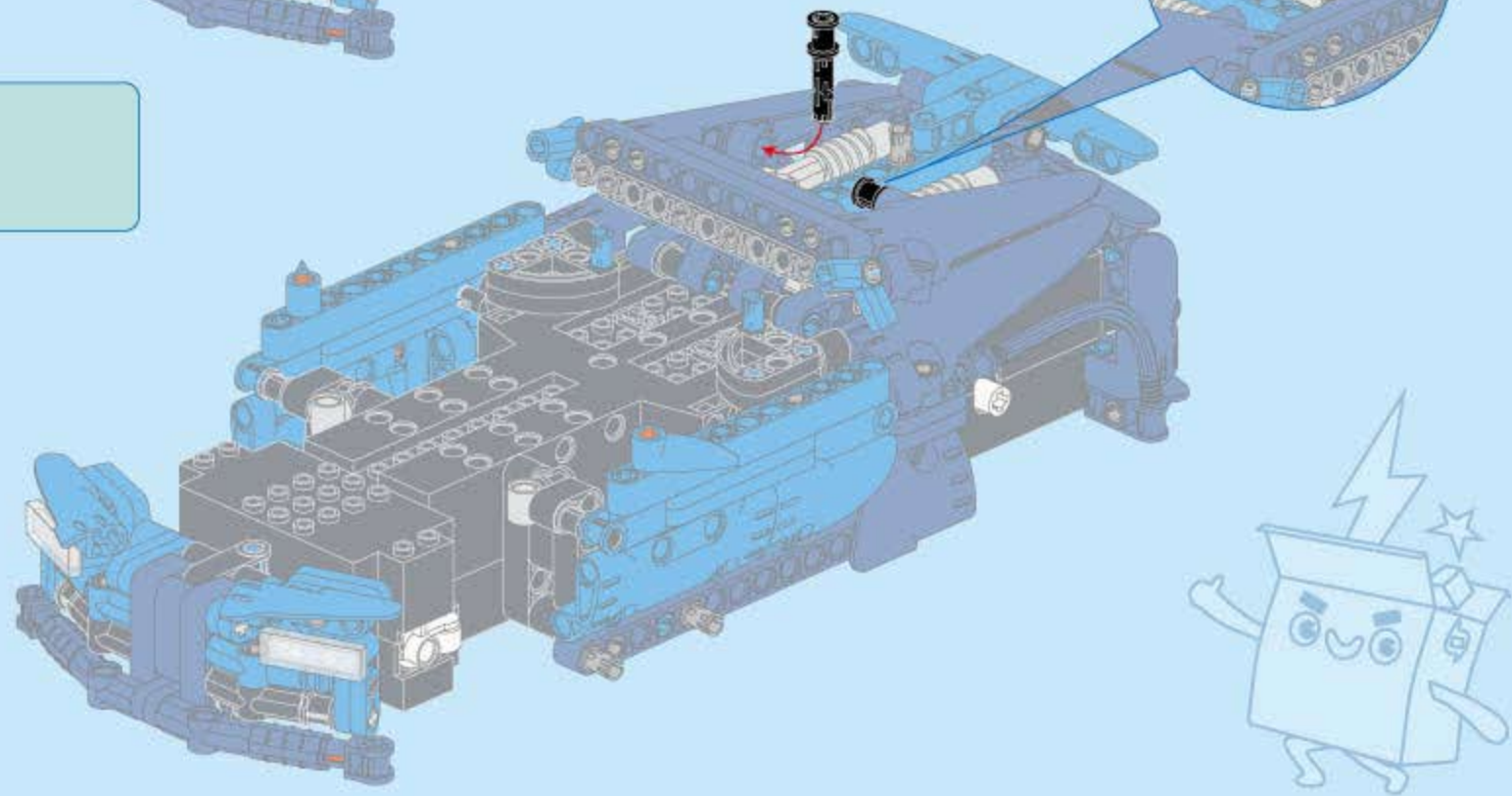




114



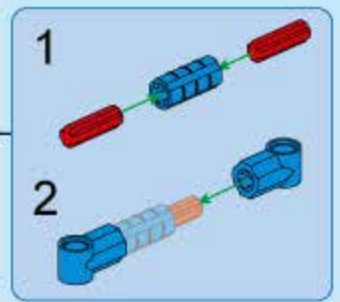
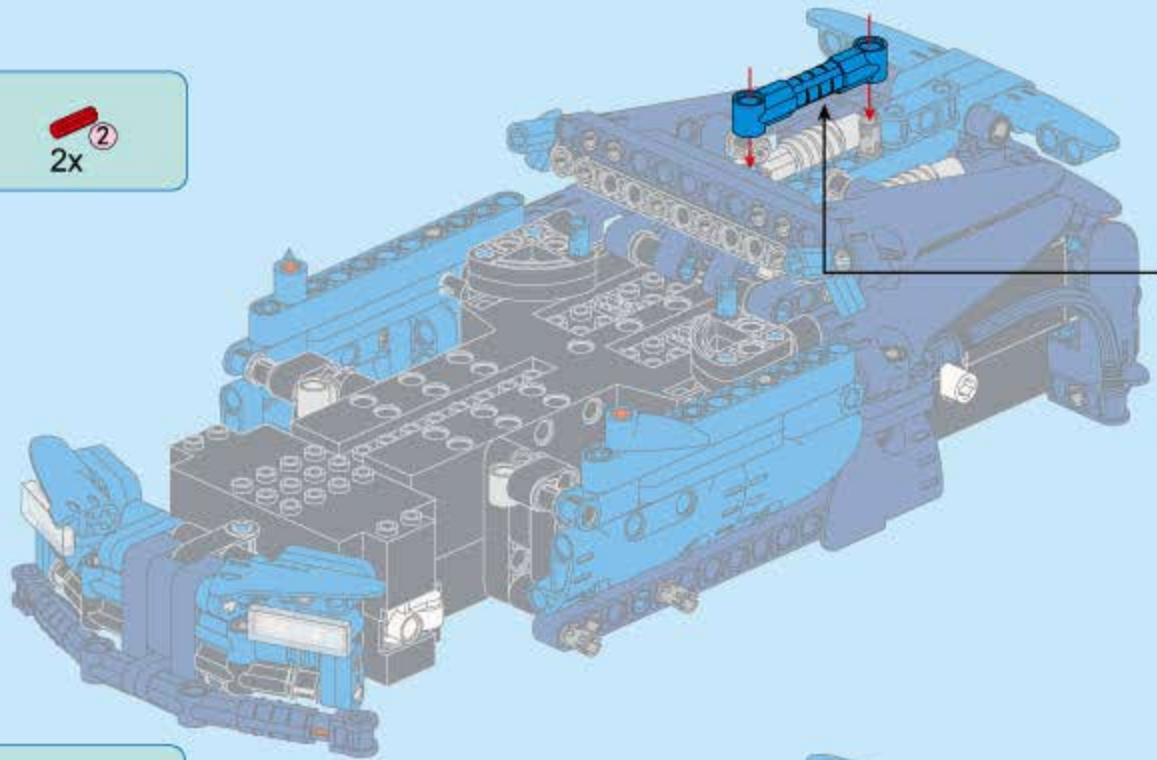
115



116

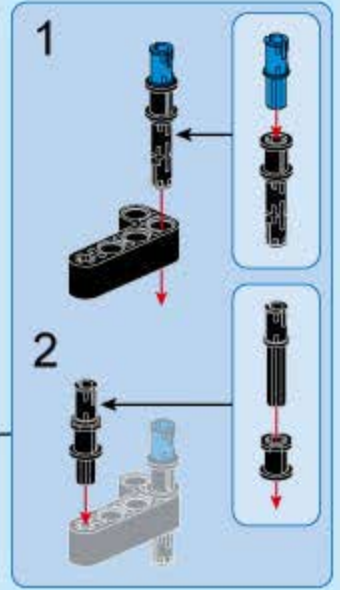
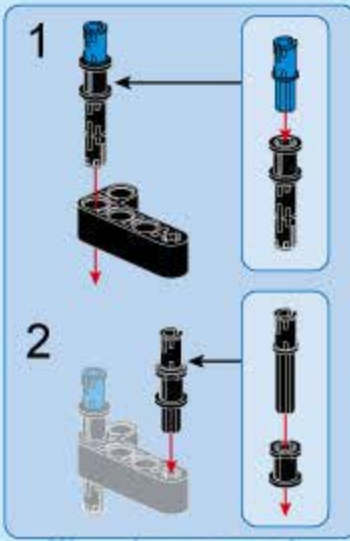
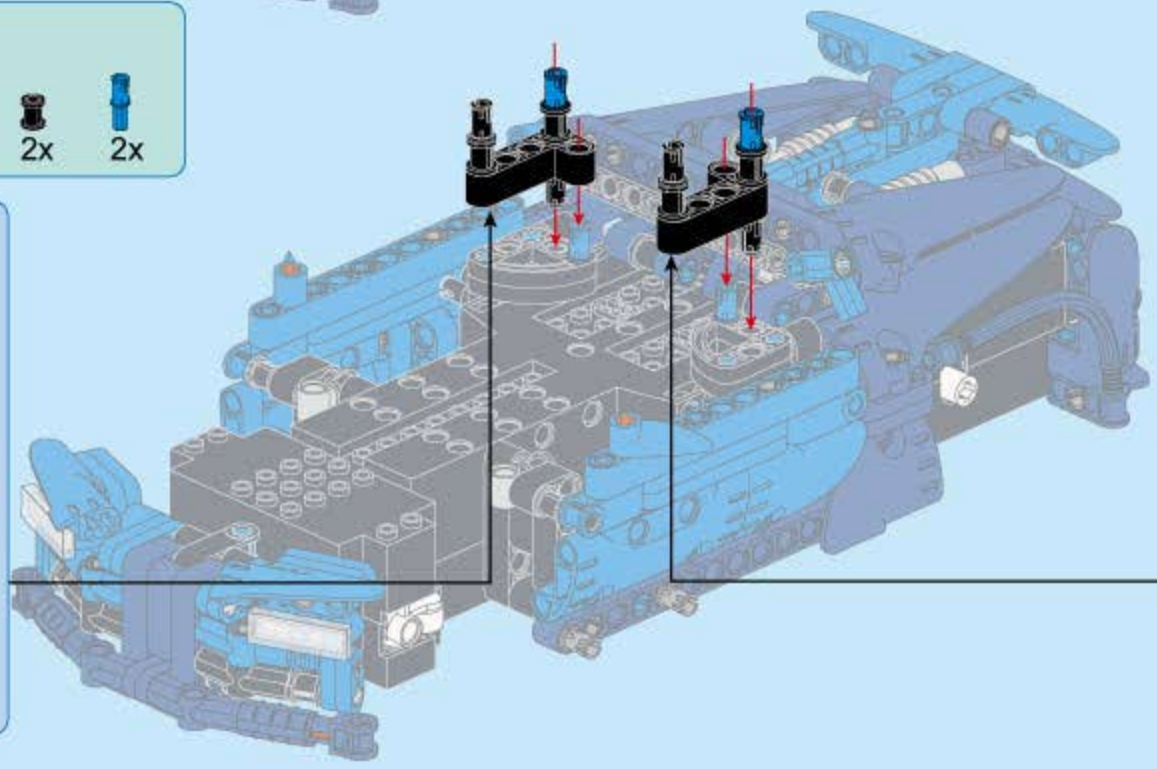
- 2x 
- 1x 
- 2x  ②

 ② **1:1**

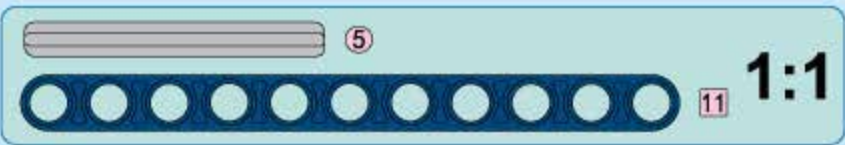
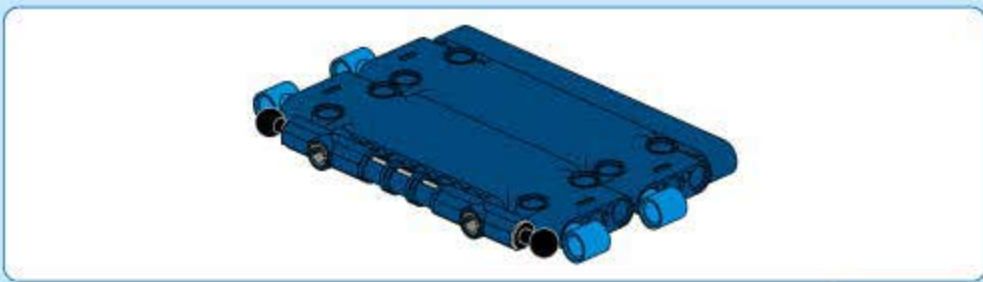


117

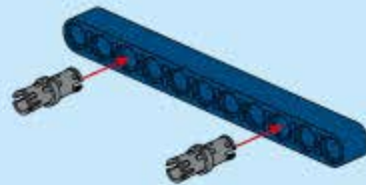
- 2x 
- 2x 
- 2x 
- 2x 
- 2x 



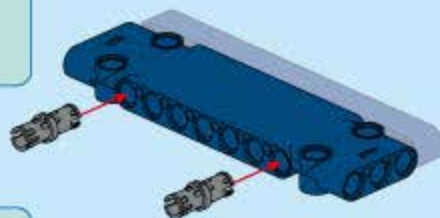




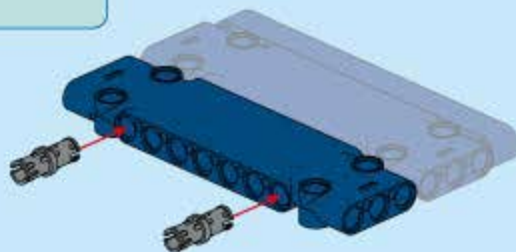
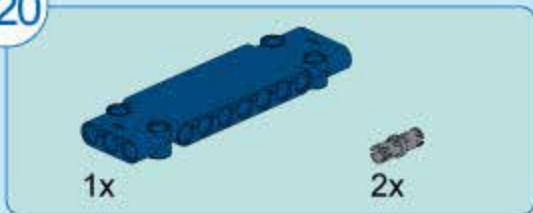
118



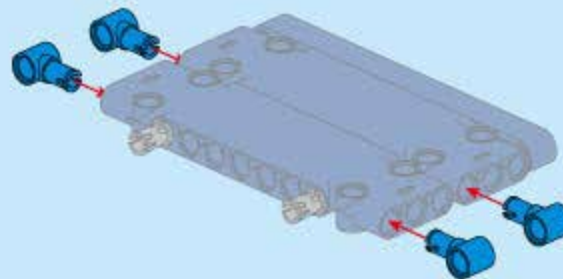
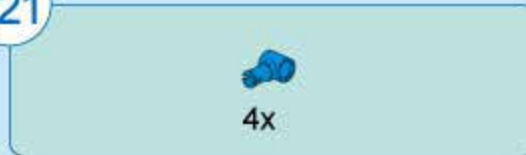
119



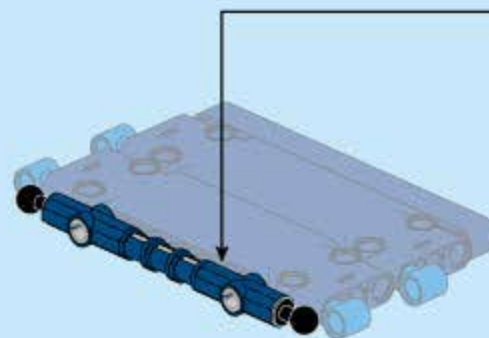
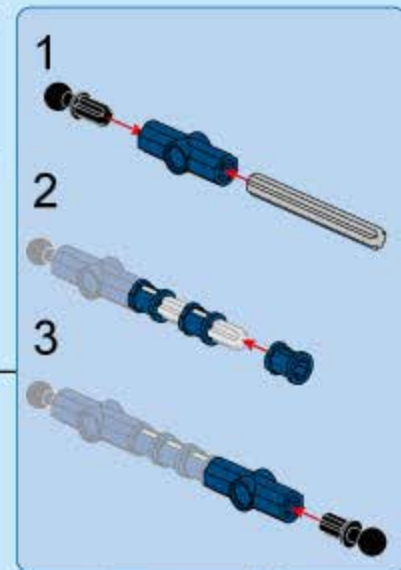
120



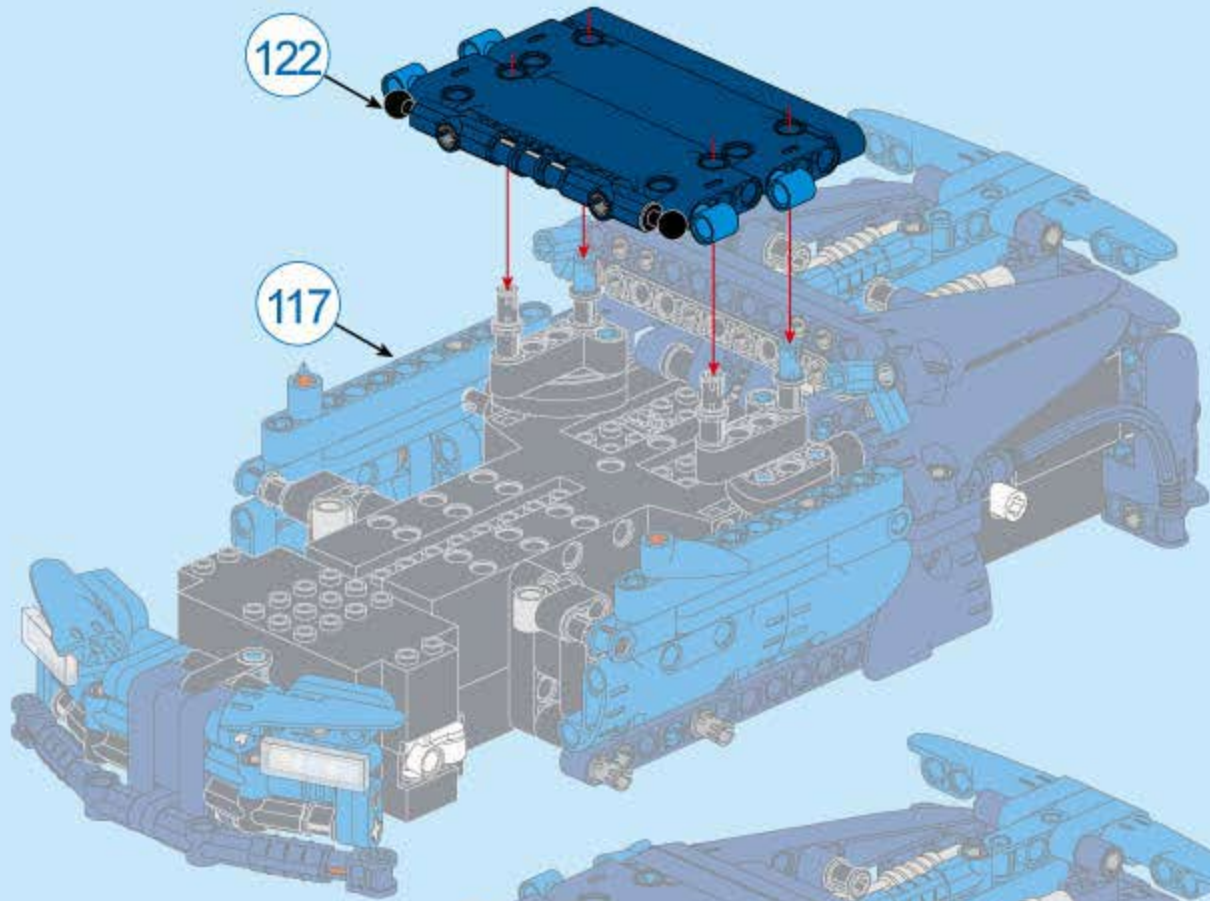
121



122








123



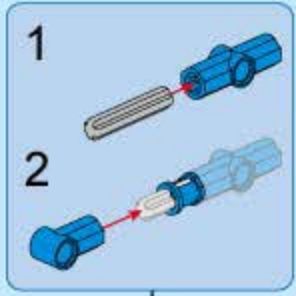
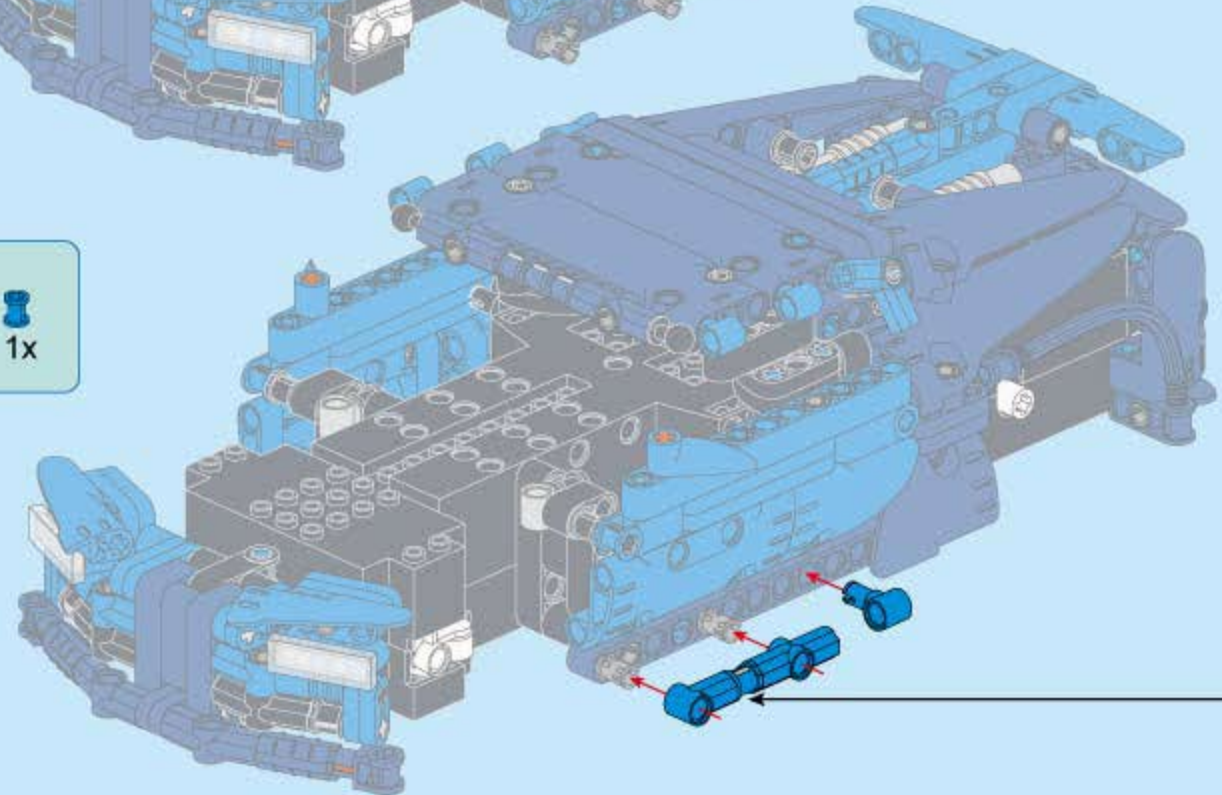
122

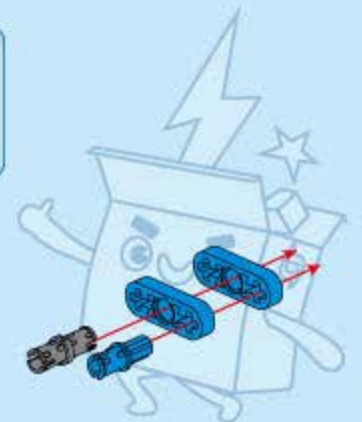
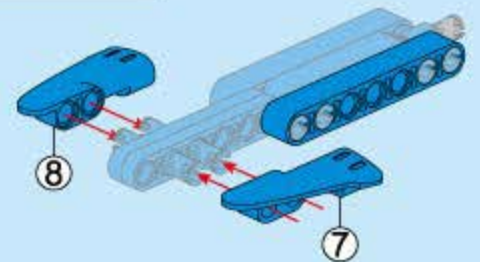
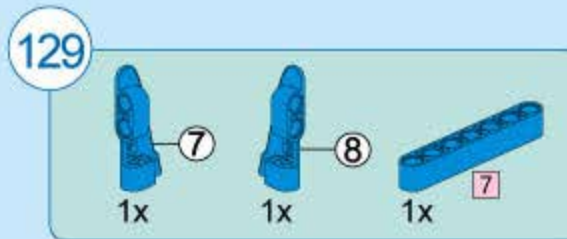
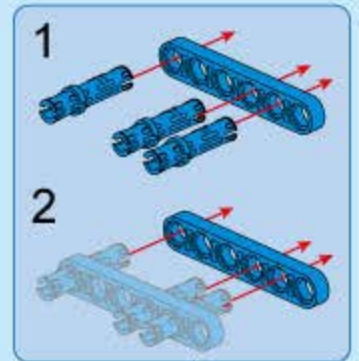
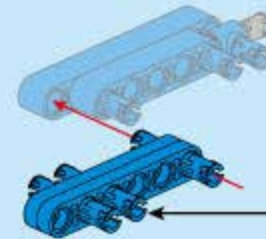
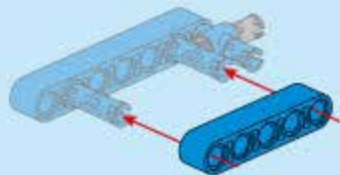
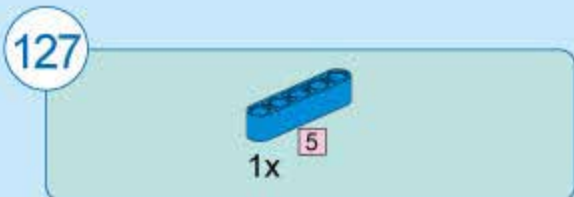
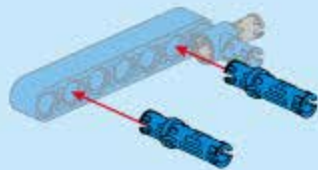
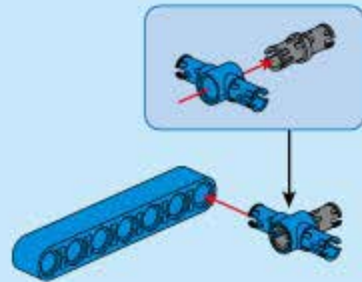
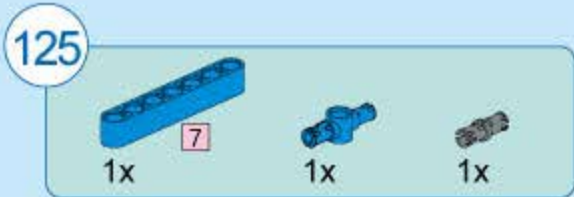
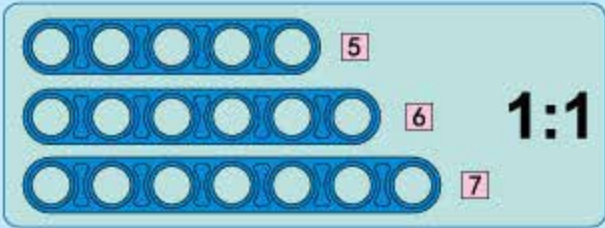
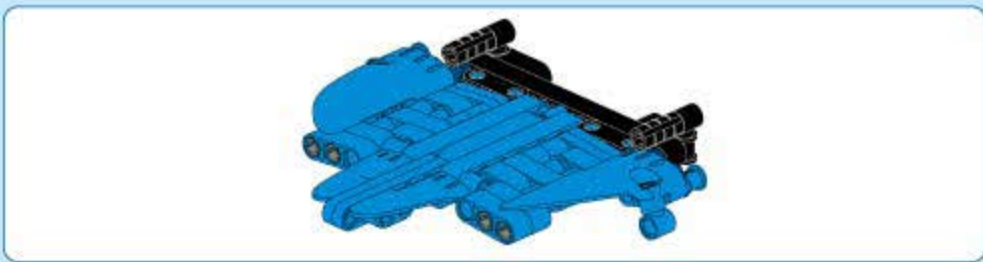
117

124

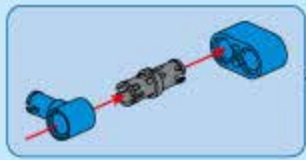
-   
1x <sup>3</sup>
-   
1x
-   
1x
-   
1x
-   
1x

 <sup>3</sup> **1:1**

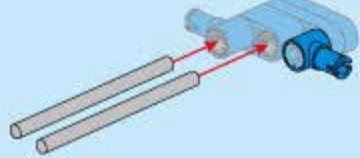
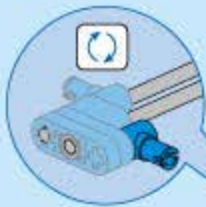
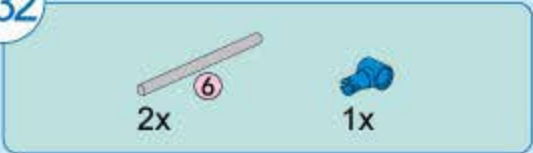




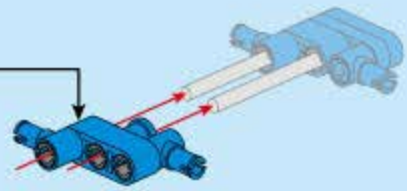
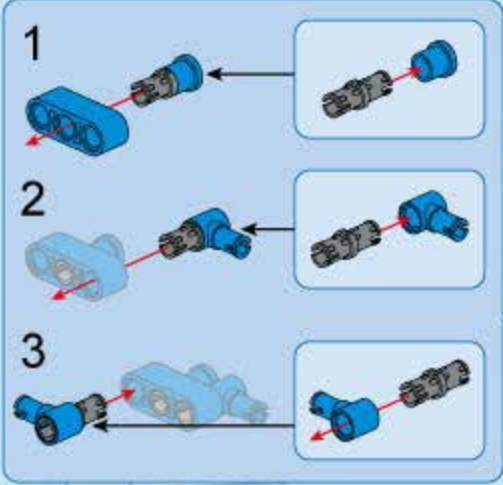
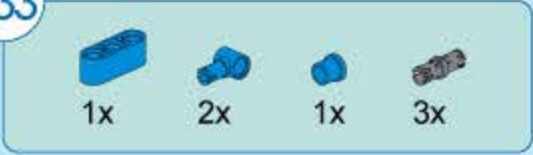
131



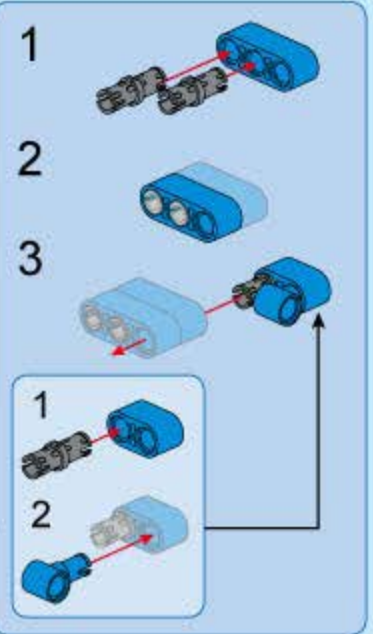
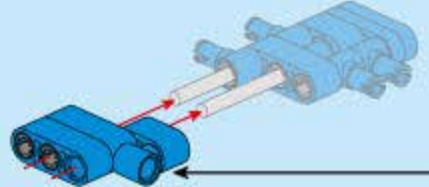
132



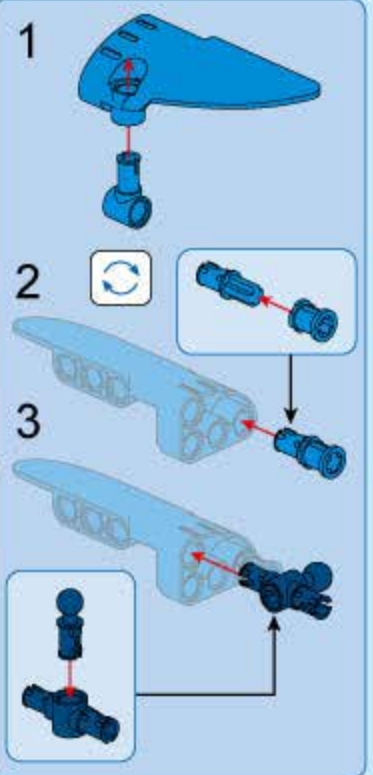
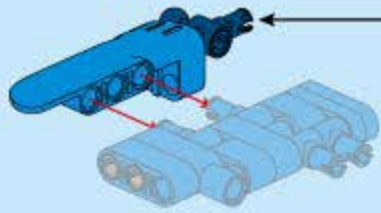
133



134



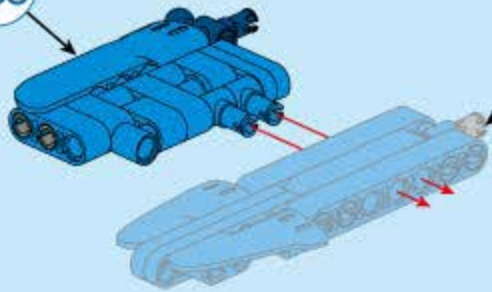
135



136

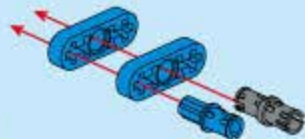
135

129



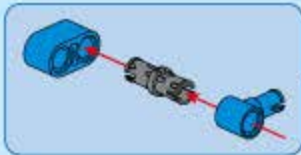
137

- 2x
- 1x
- 1x



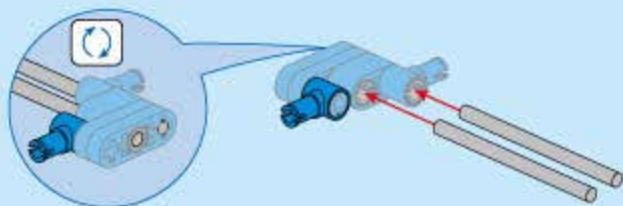
138

- 1x
- 1x
- 1x



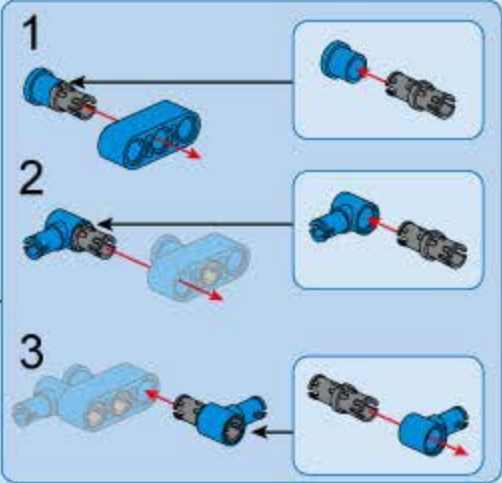
139

- 2x <sup>6</sup>
- 1x



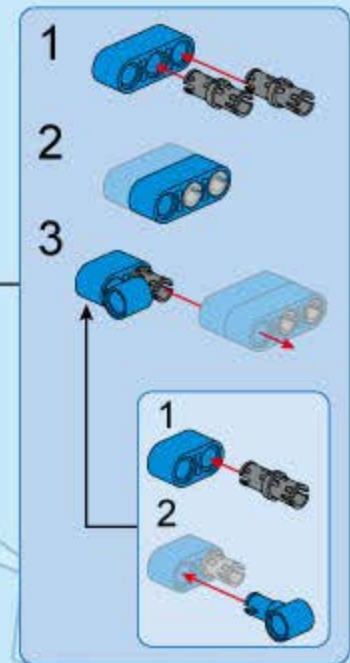
140

- 1x
- 2x
- 1x
- 3x

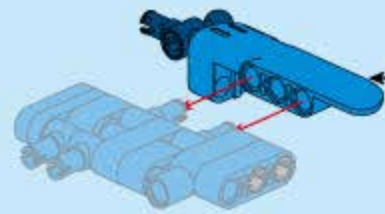
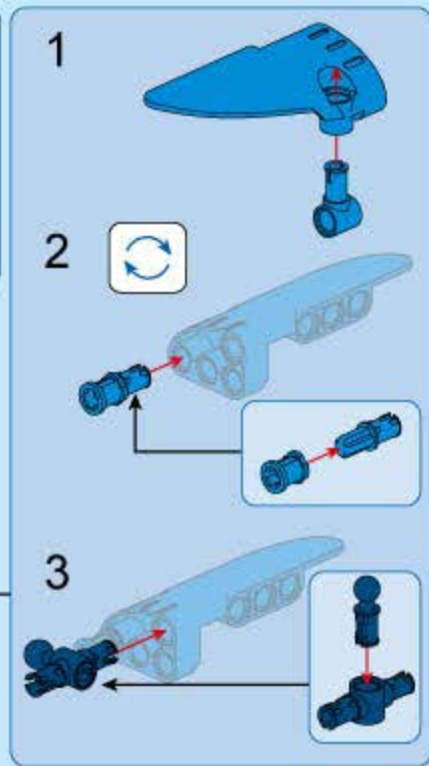
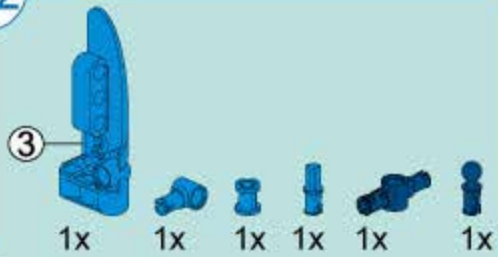


141

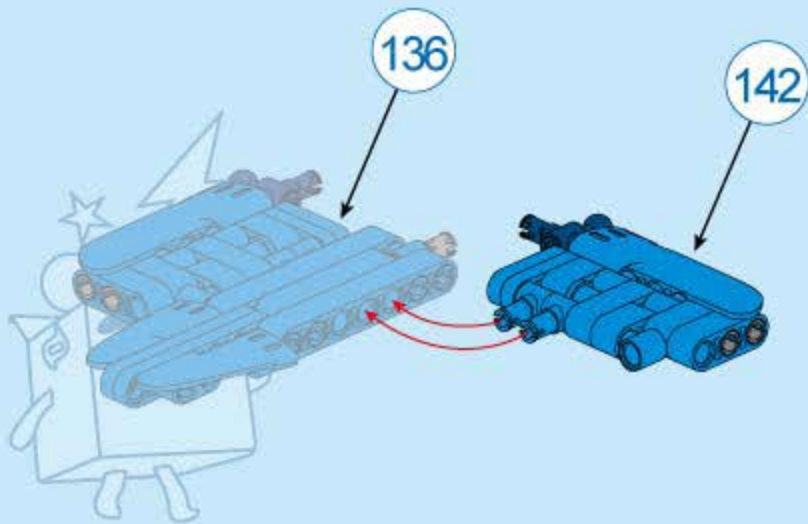
- 2x
- 1x
- 1x
- 3x



142

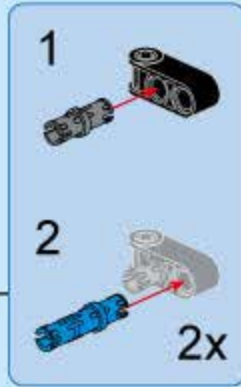
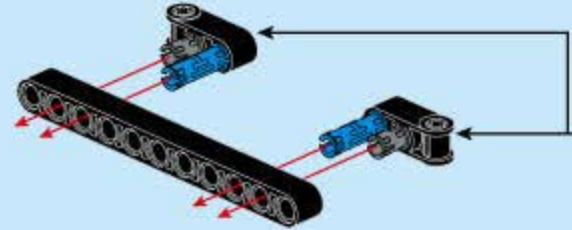
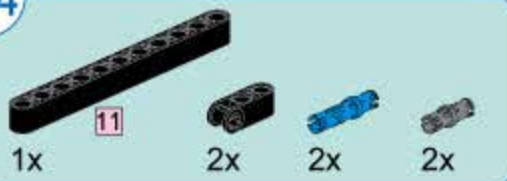


143

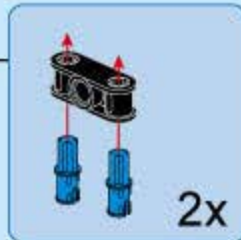
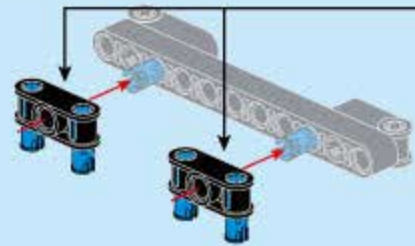


11 1:1

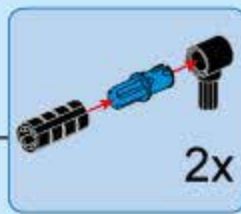
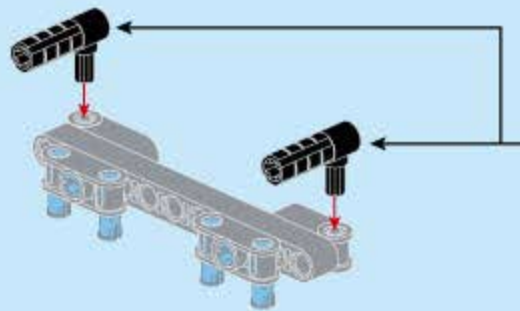
144



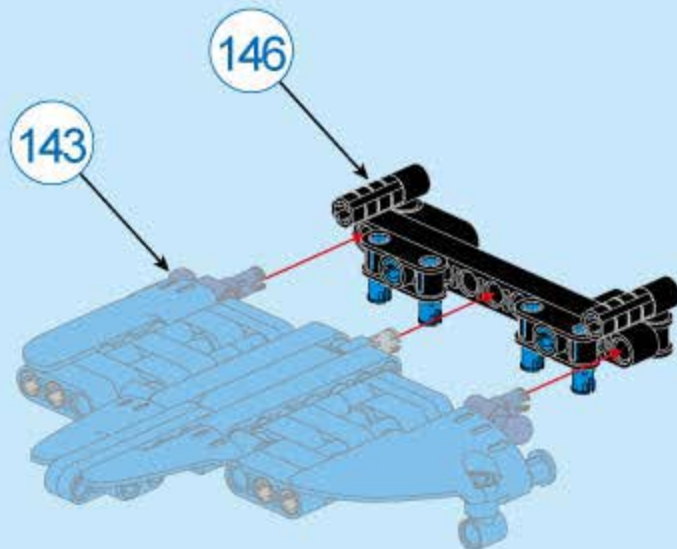
145



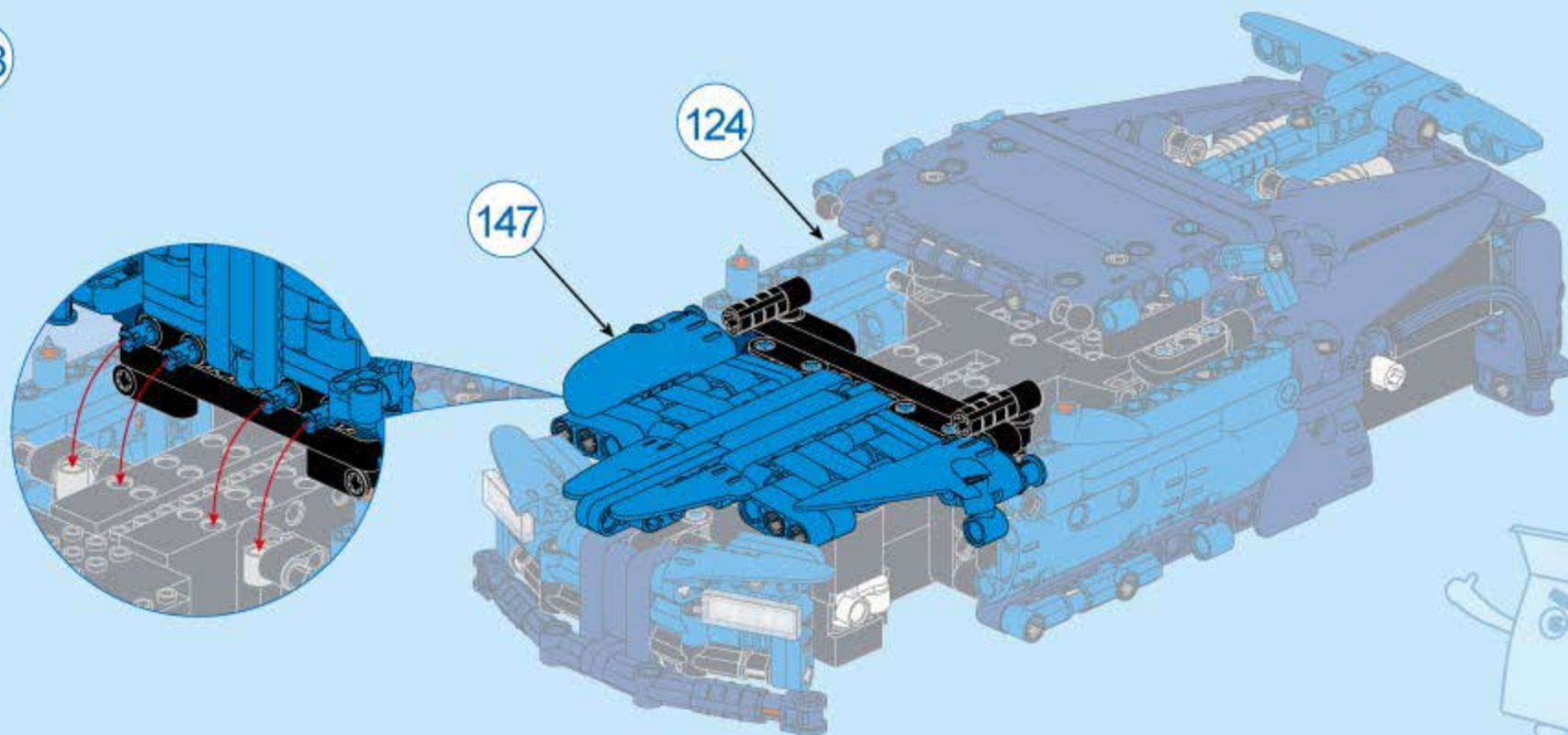
146



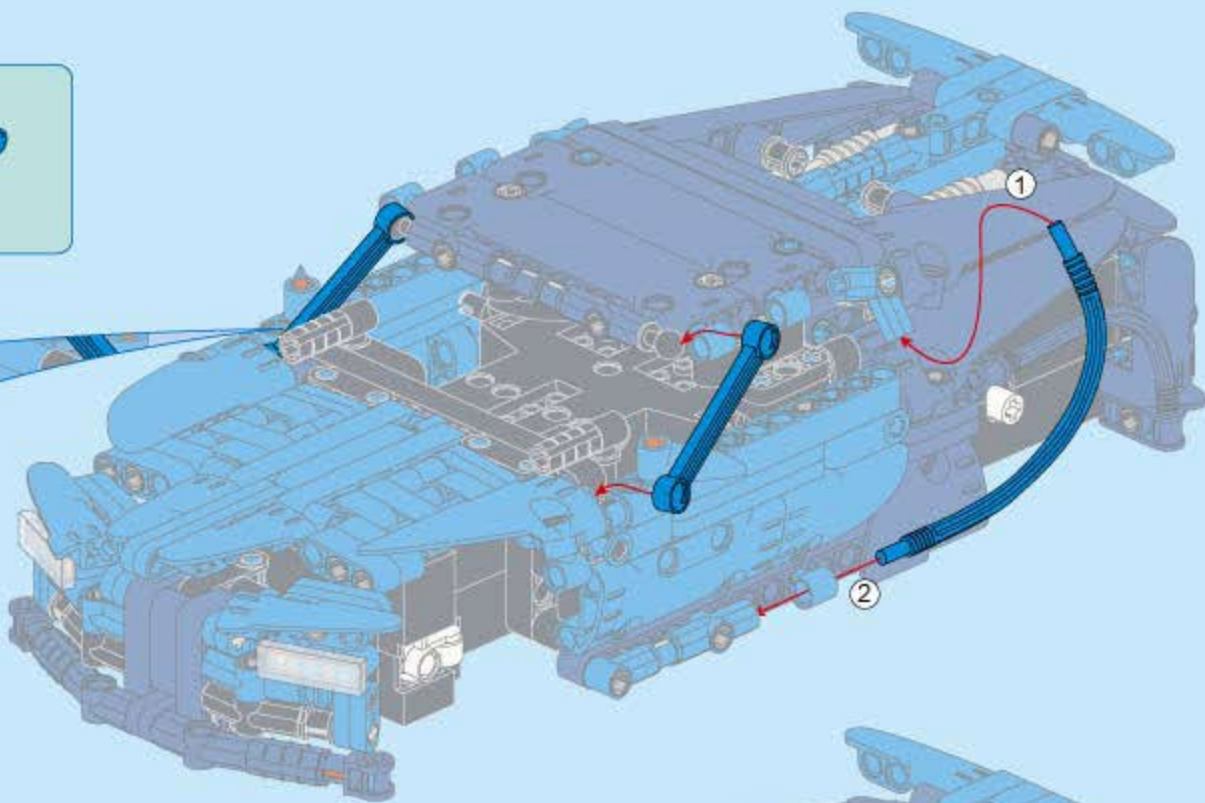
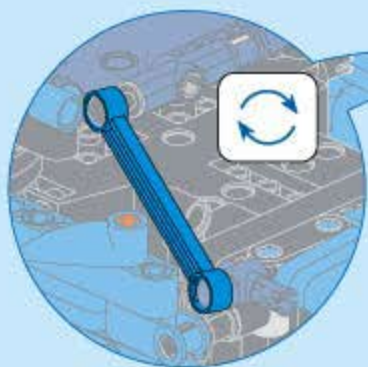
147



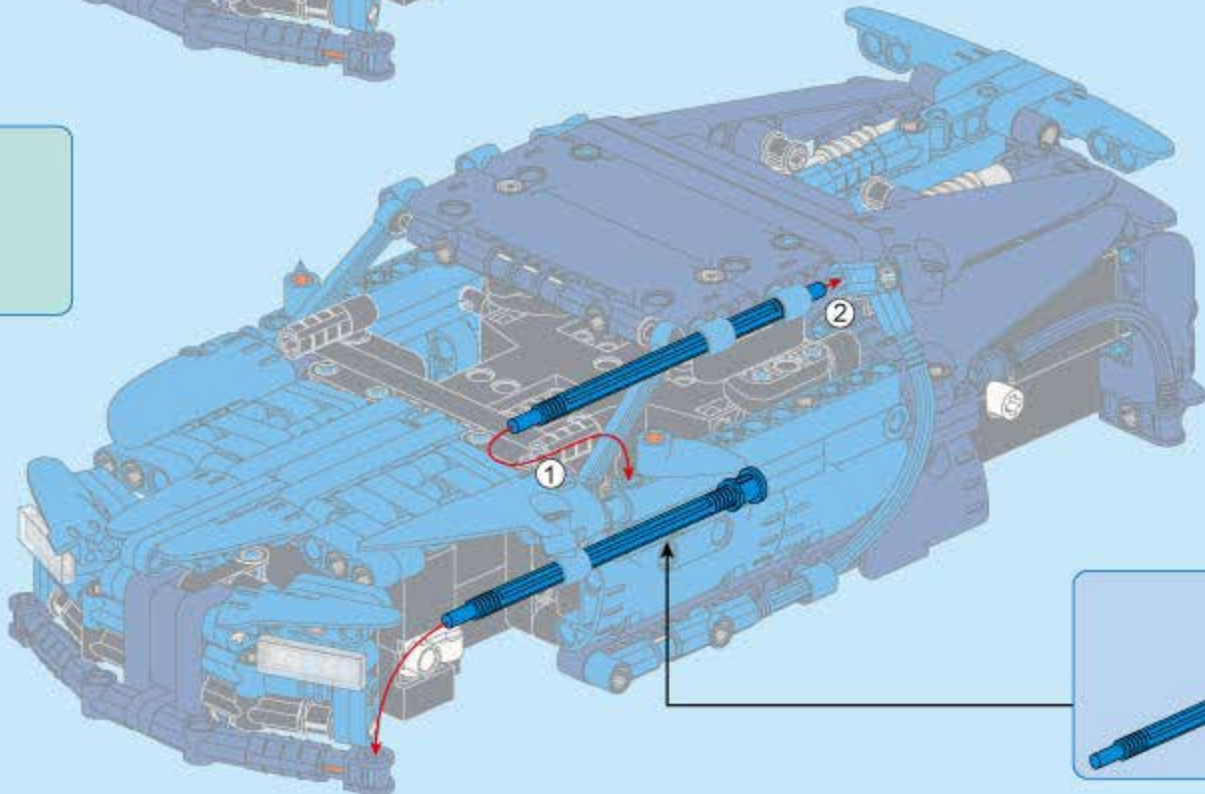
148



149

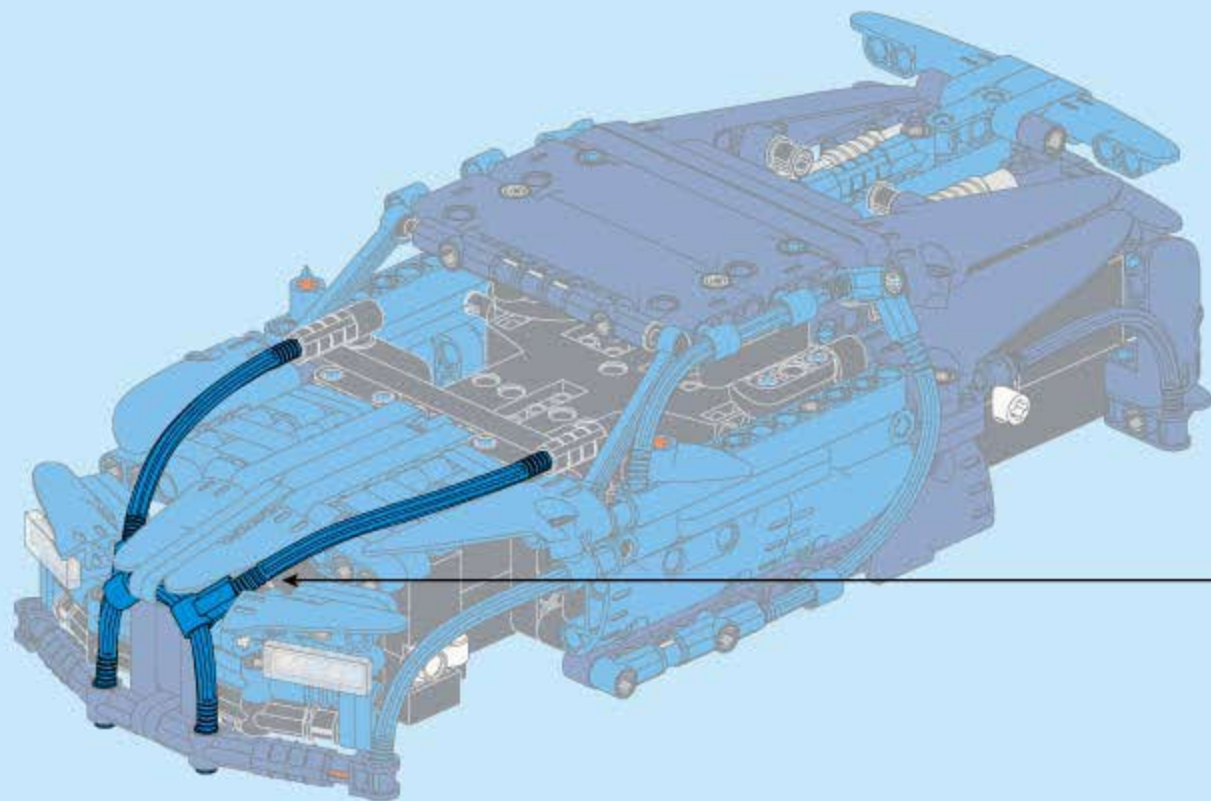
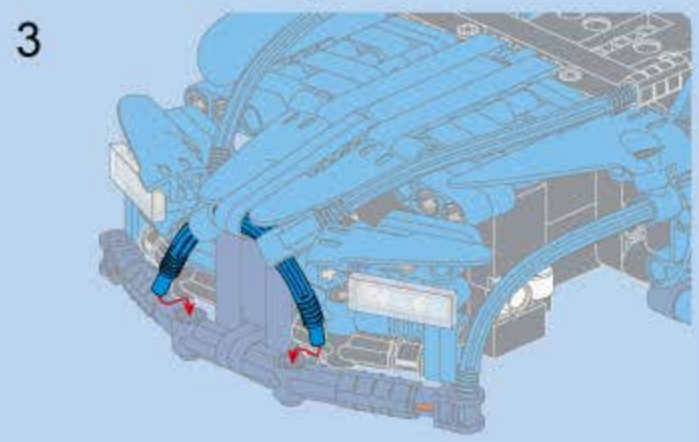
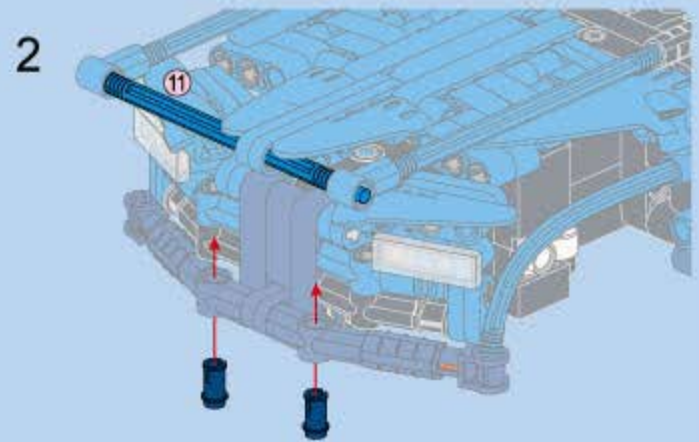
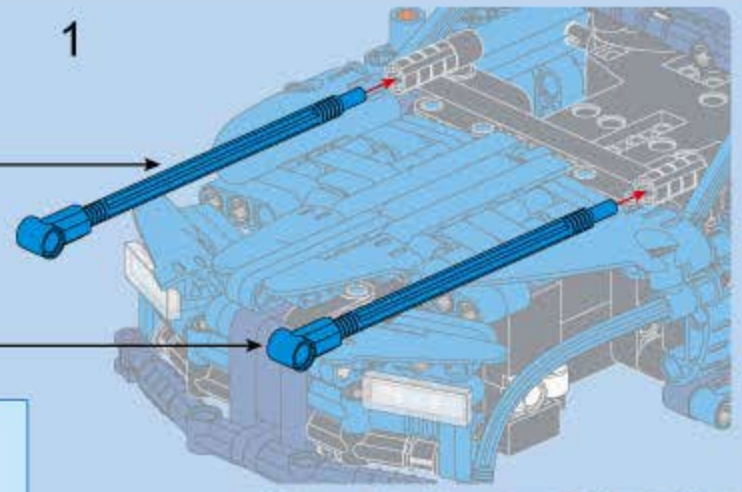


150

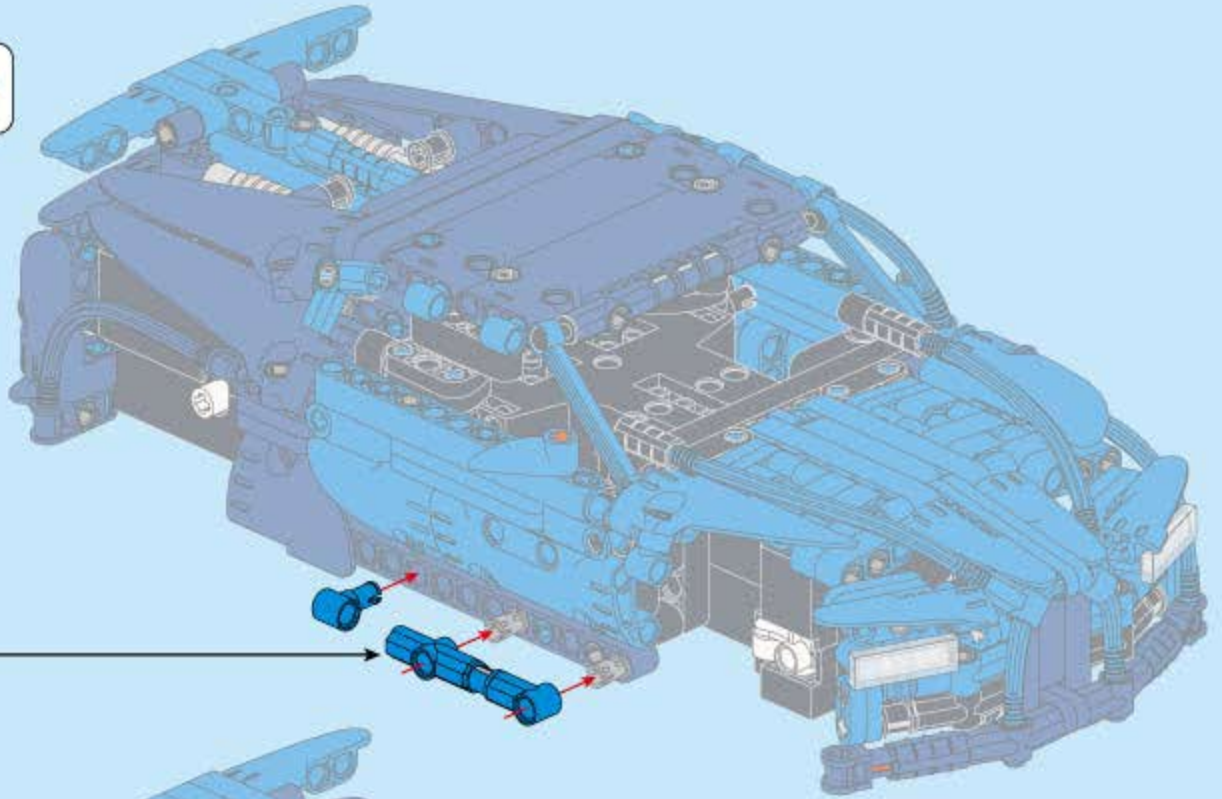
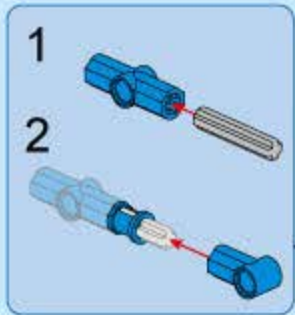
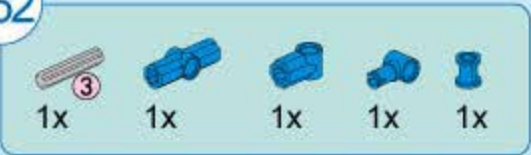




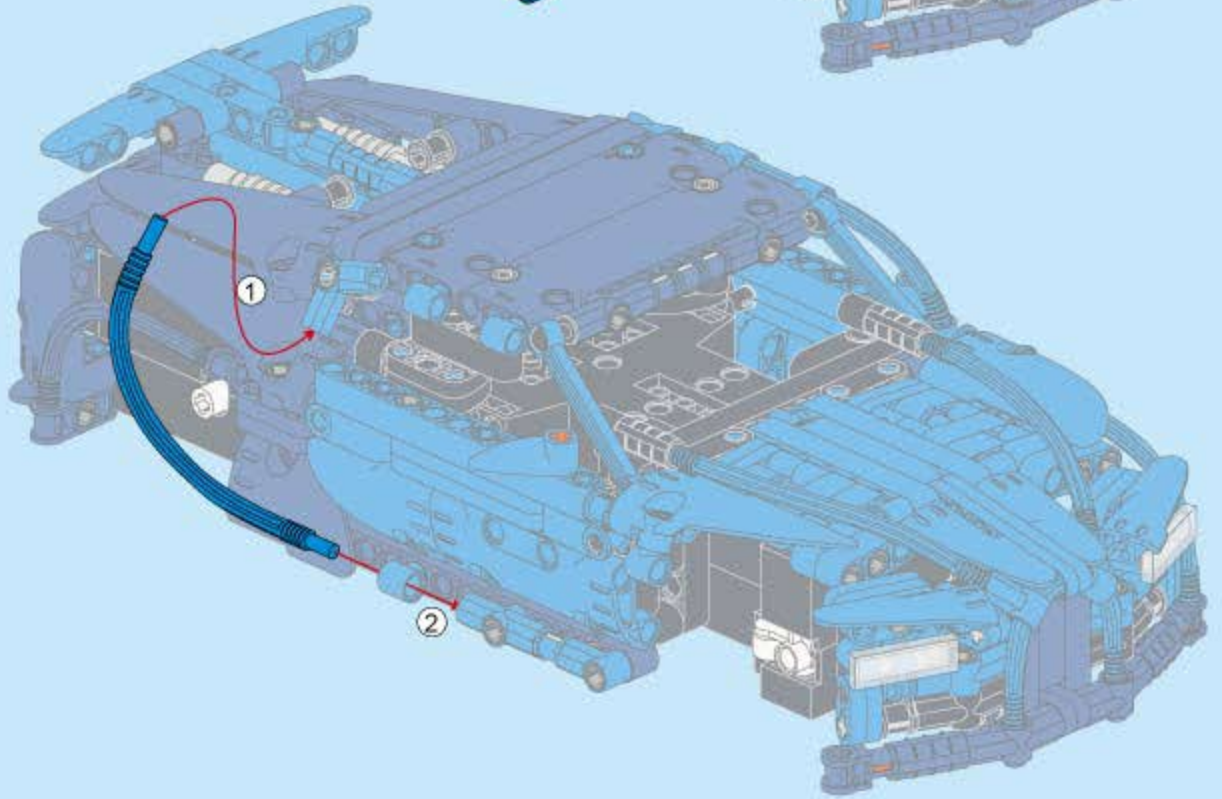
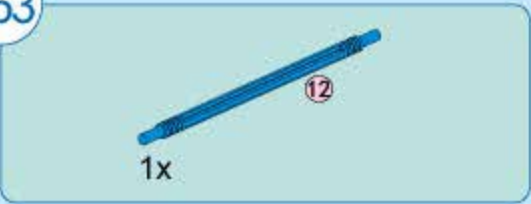
151



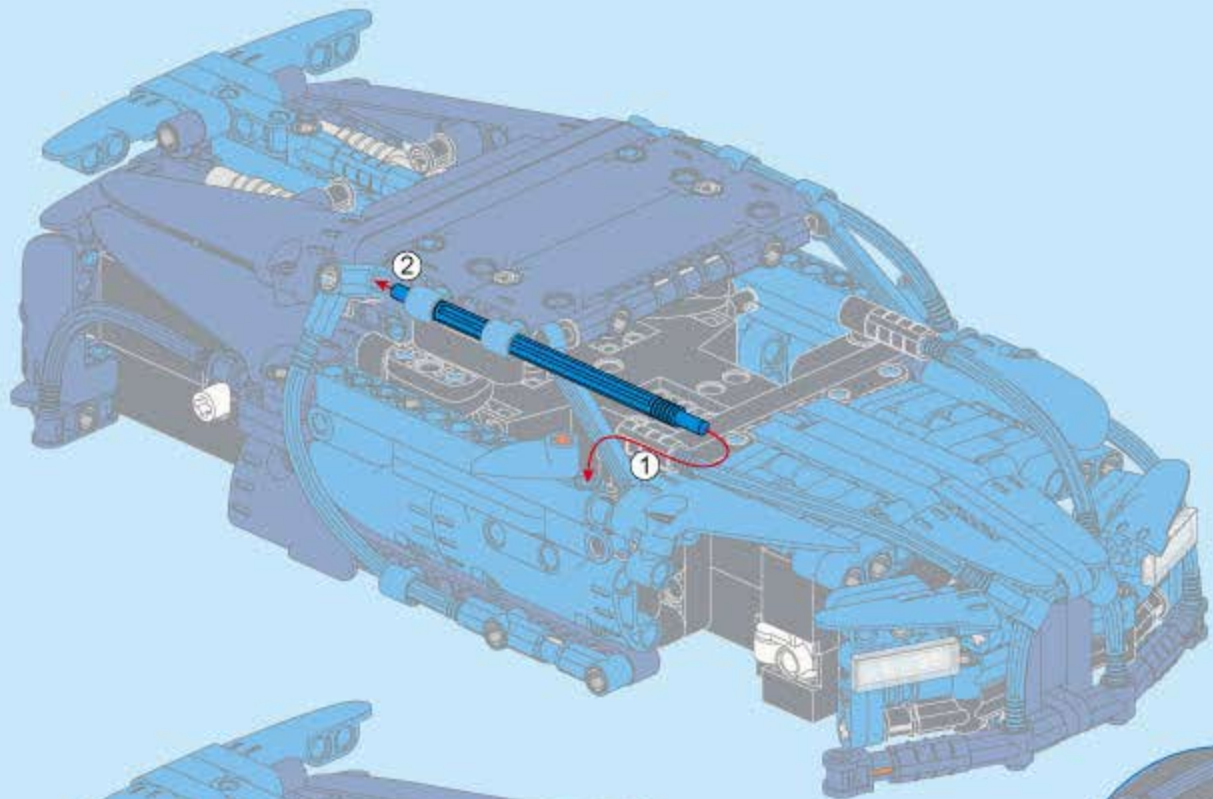
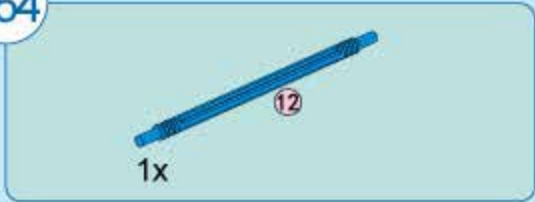
152



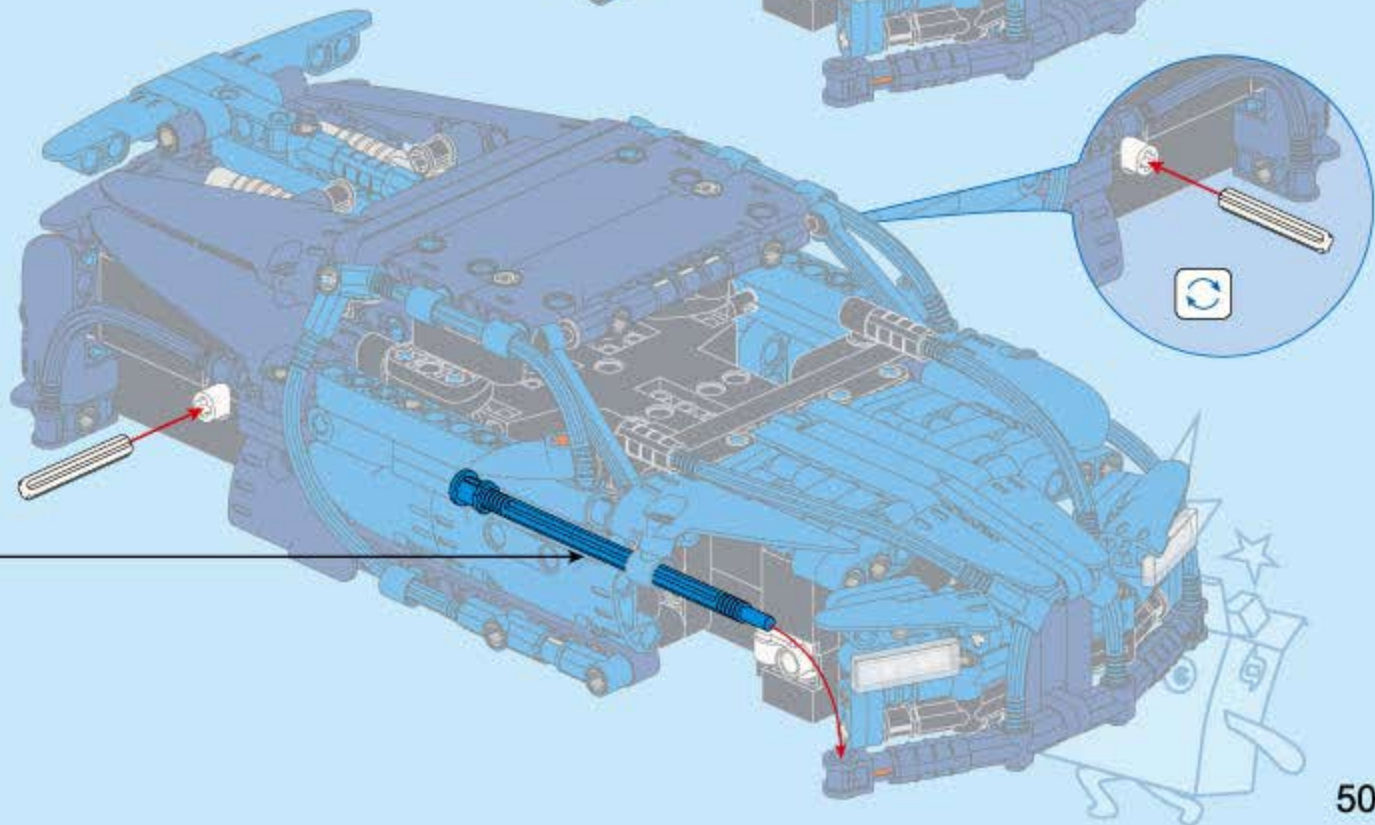
153

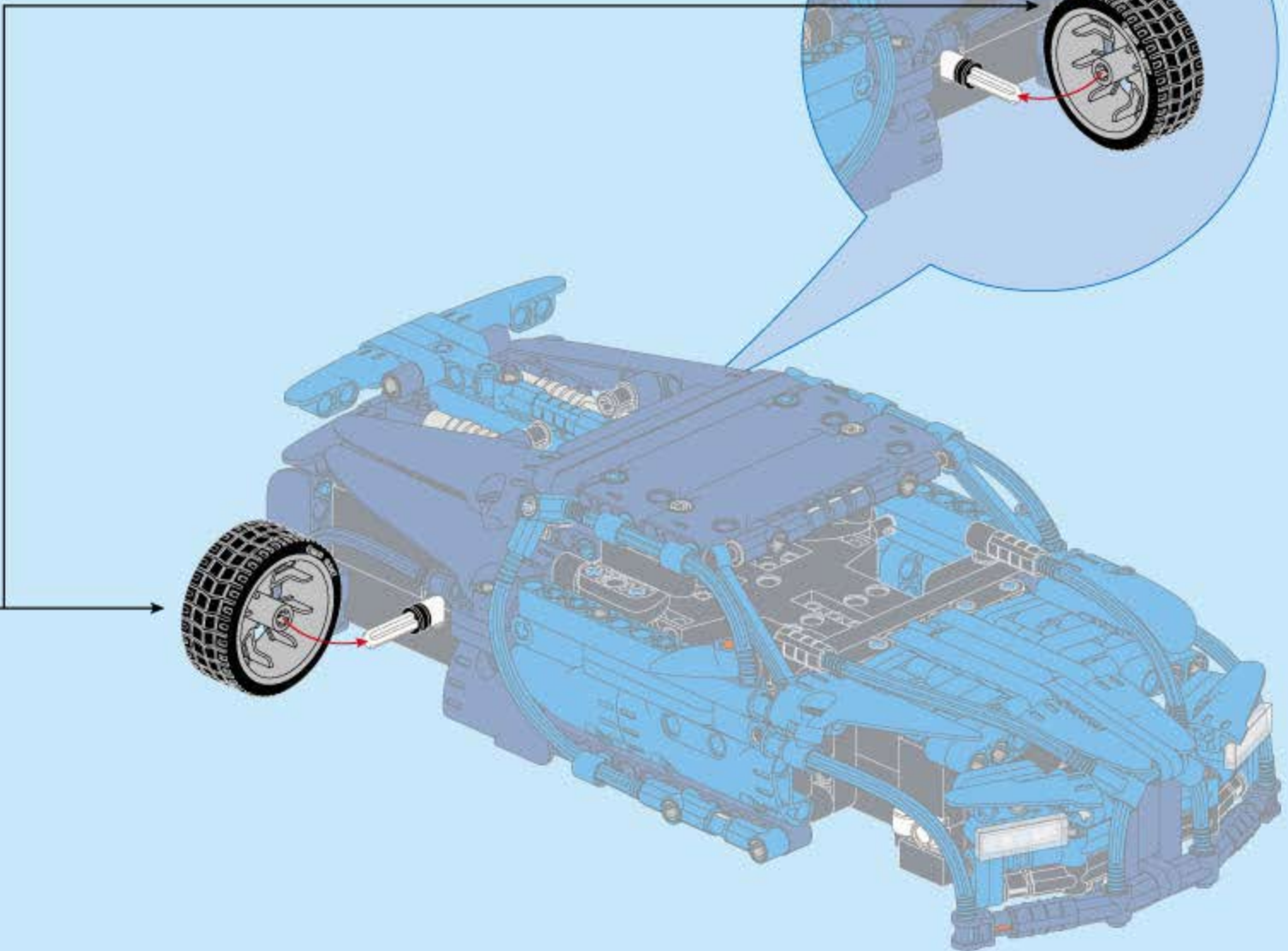
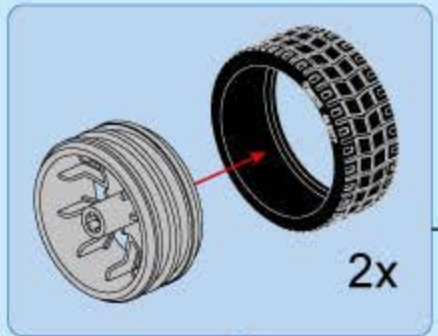


154

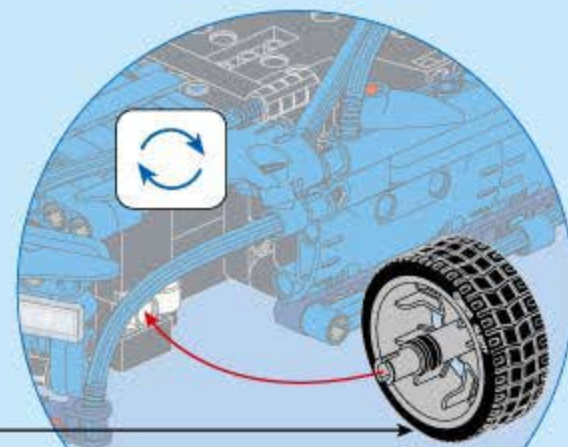
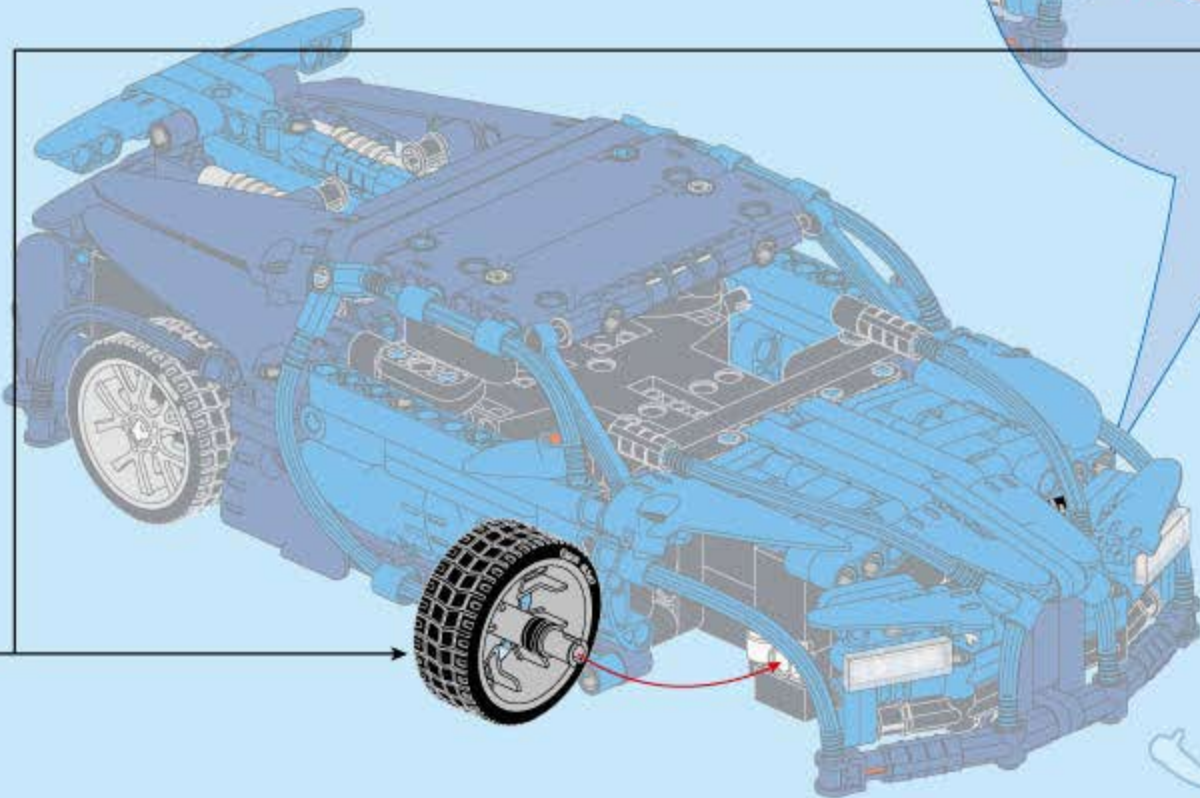
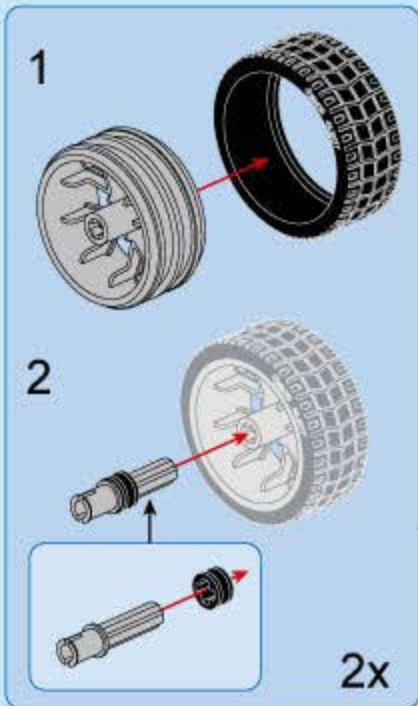
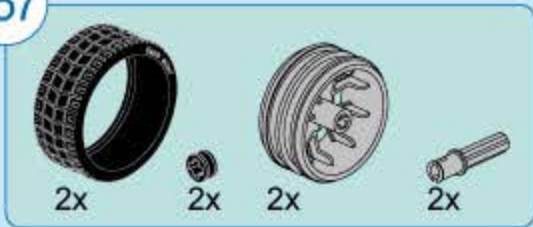


155





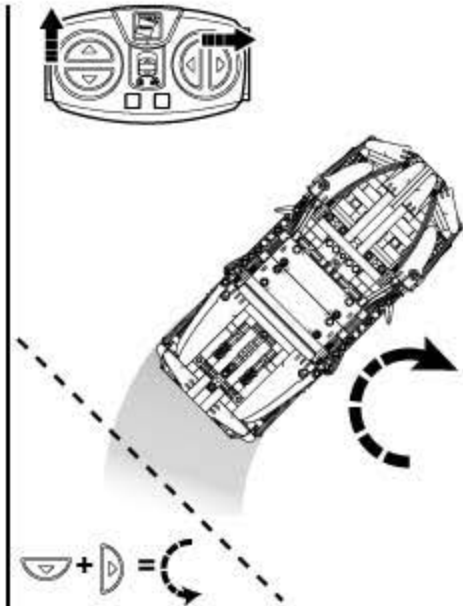
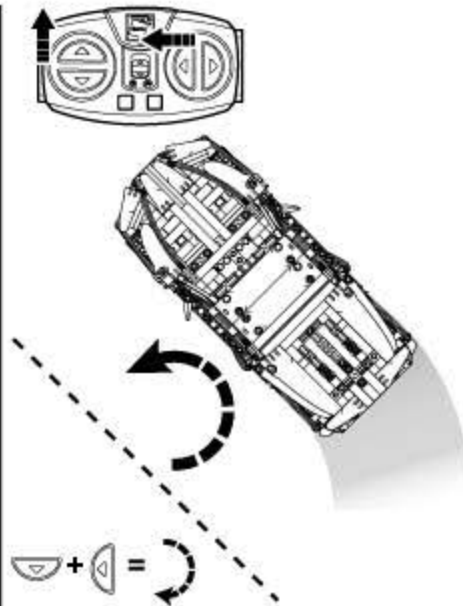
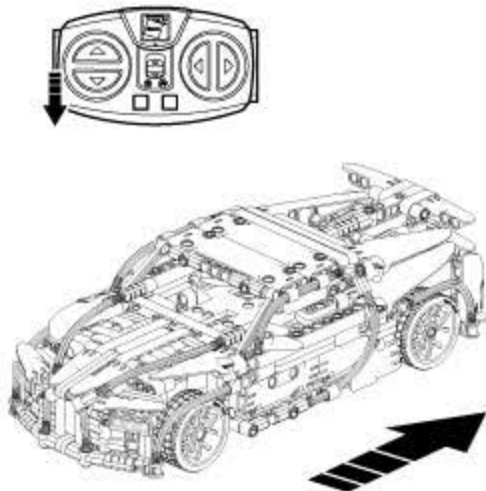
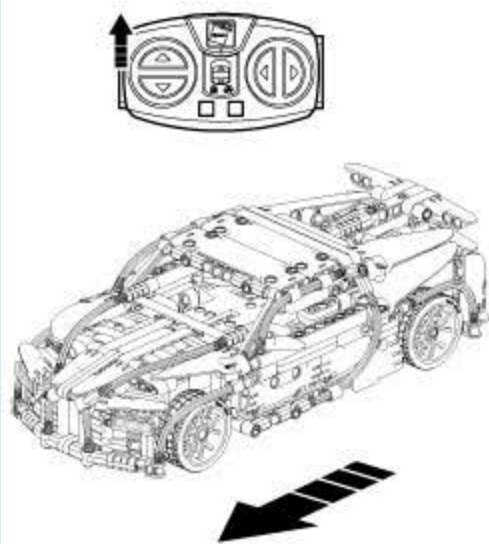
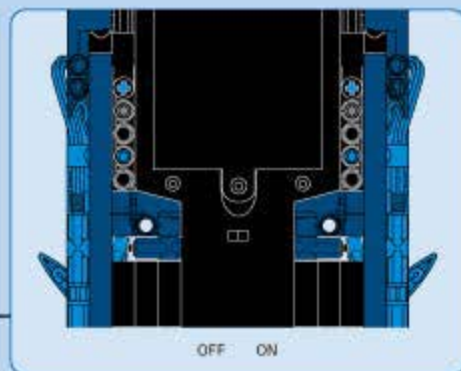
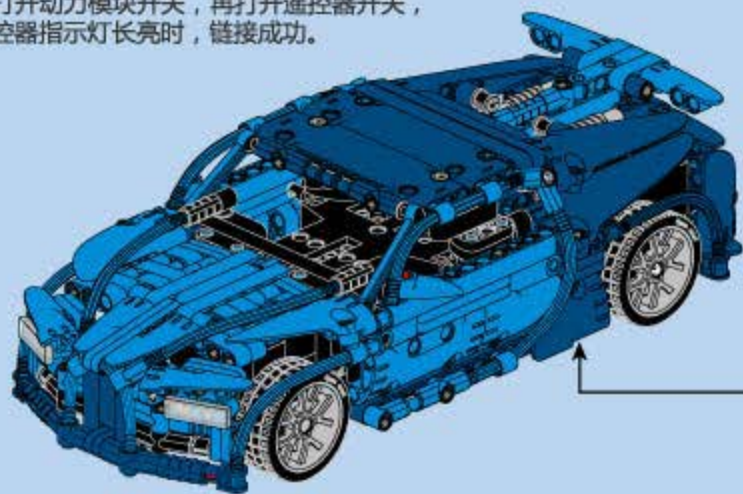
157



### Link Operation | 连接操作

Turn on the switch of the main control module, then turn on the switch of the remote control, when the remote control indicator light is on, the link is successful.

首先打开动力模块开关，再打开遥控器开关，当遥控器指示灯长亮时，链接成功。



## APP Installation | 安装APP:

This product needs to be used with your mobile phone or tablet  
本产品需要搭配您的手机或平板使用

Scan QR code, install "MODEL POWER"

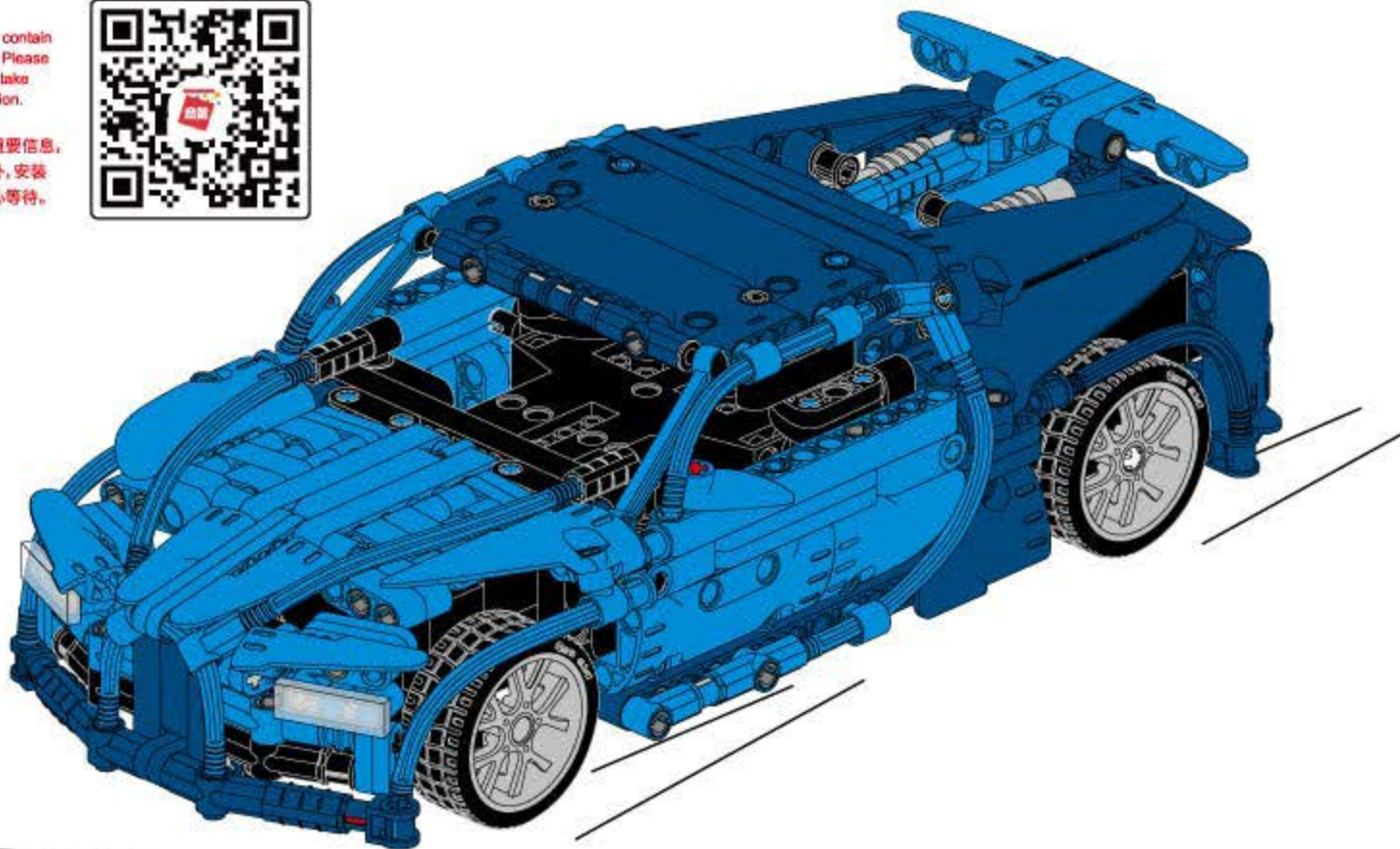
扫一扫安装二维码,  
即可安装“启蒙遥控车”!

APP Store

Android App Store  
安卓应用商店

Note: The instructions contain important information. Please keep it properly. It will take some time for installation. Please wait patiently.

注意: 此说明书含有重要信息, 请妥善保管, 遗失不补, 安装需要一些时间, 请耐心等待。



# MODEL POWER



**54003** REMOTE CONTROL PANTHER TANK



**54004** REMOTE CONTROL LEAPING JEEP



**54005** REMOTE CONTROL PHANTOM SUPERCAR



**54006** REMOTE CONTROL MIGHTY SUPERCAR