



54006

Ages: 8+

MODEL POWER



2.4G REMOTE CONTROL



AI PROGRAMMING



ROUTE PLANNING



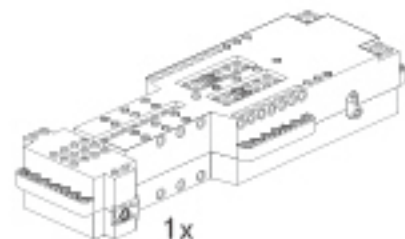
REMOTE CONTROL MIGHTY SUPERCAR

Pictures are for your reference only. The delivered goods shall prevail.



*Dual controllers offer
a seamless and smooth
gaming experience*

Product Summary | 产品概览:



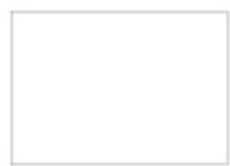
1x

Smart Creative
Module
动力模块



1x

Remote
Control
遥控器



1x

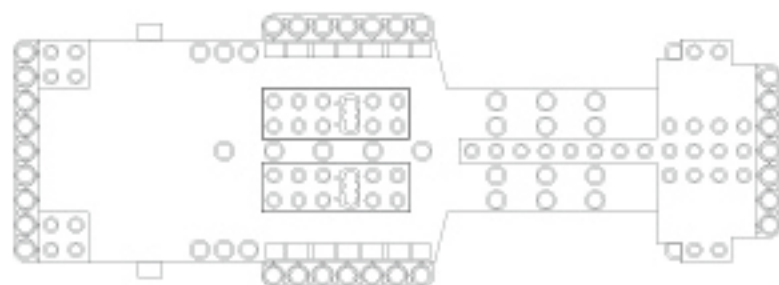
Building Blocks
Instructions
搭建手册



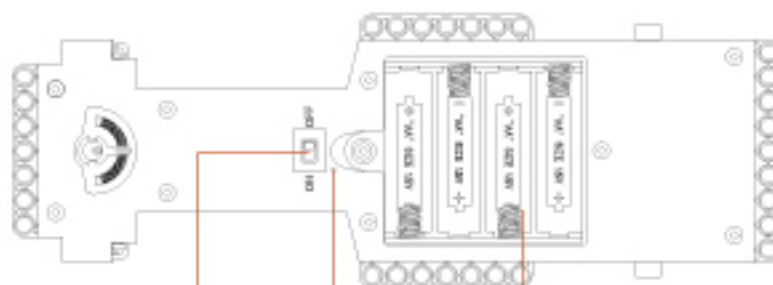
3x

Building Block
Parts
积木零件包

Smart creative module | 动力模块:



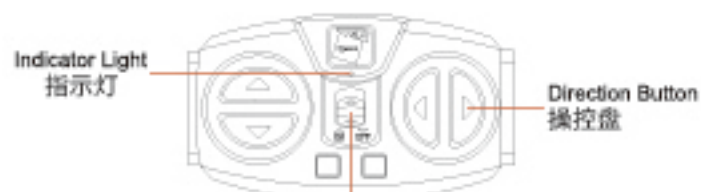
Front View
正面



Power 电源开关
Indicator Light 指示灯
Battery Case 电池盒
Rear view 背面



Remote Control | 遥控器:



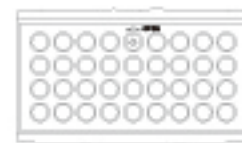
Power 电源开关

Front View
正面



Battery Case 电池盒

Rear view
背面



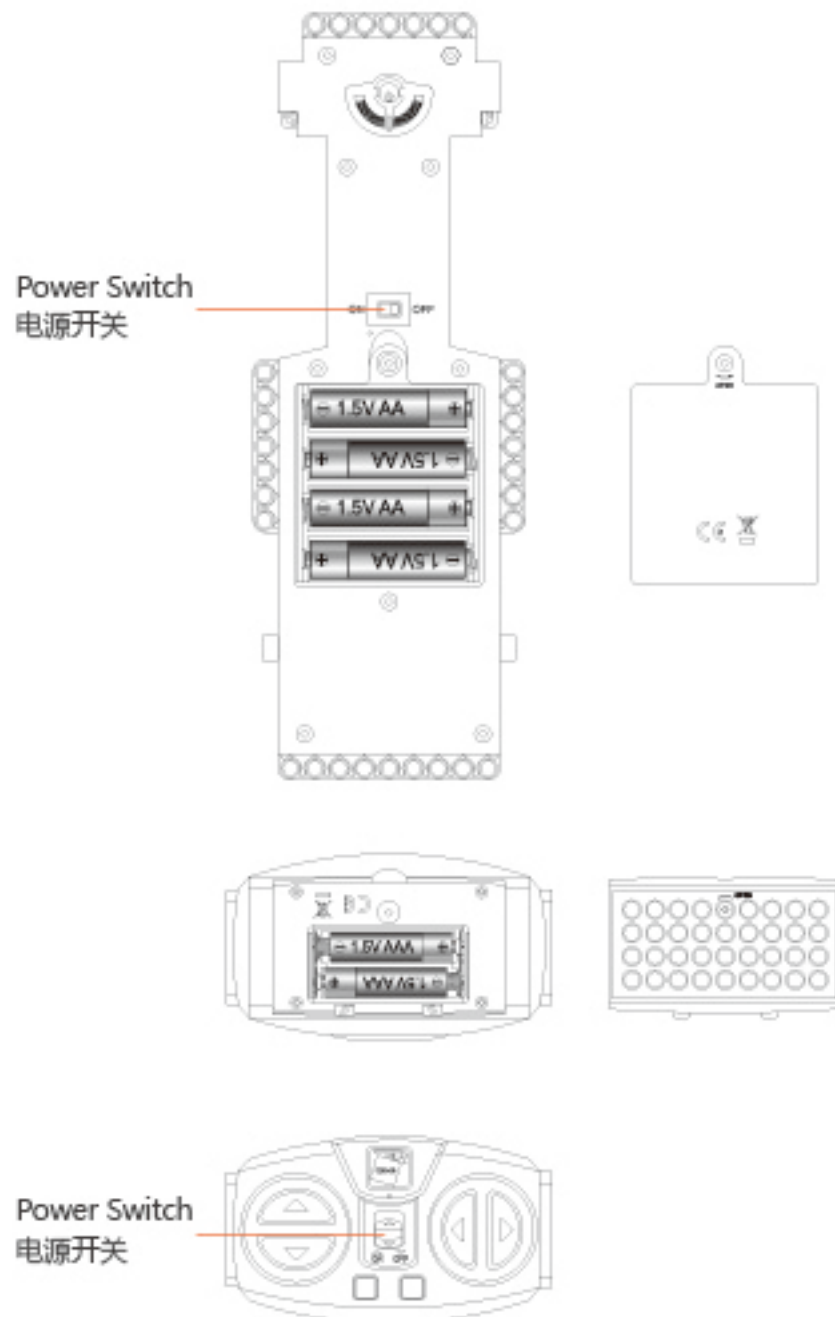
Pictures are for your reference only.
The delivered goods shall prevail.
图片仅供参考, 请以实物为准。

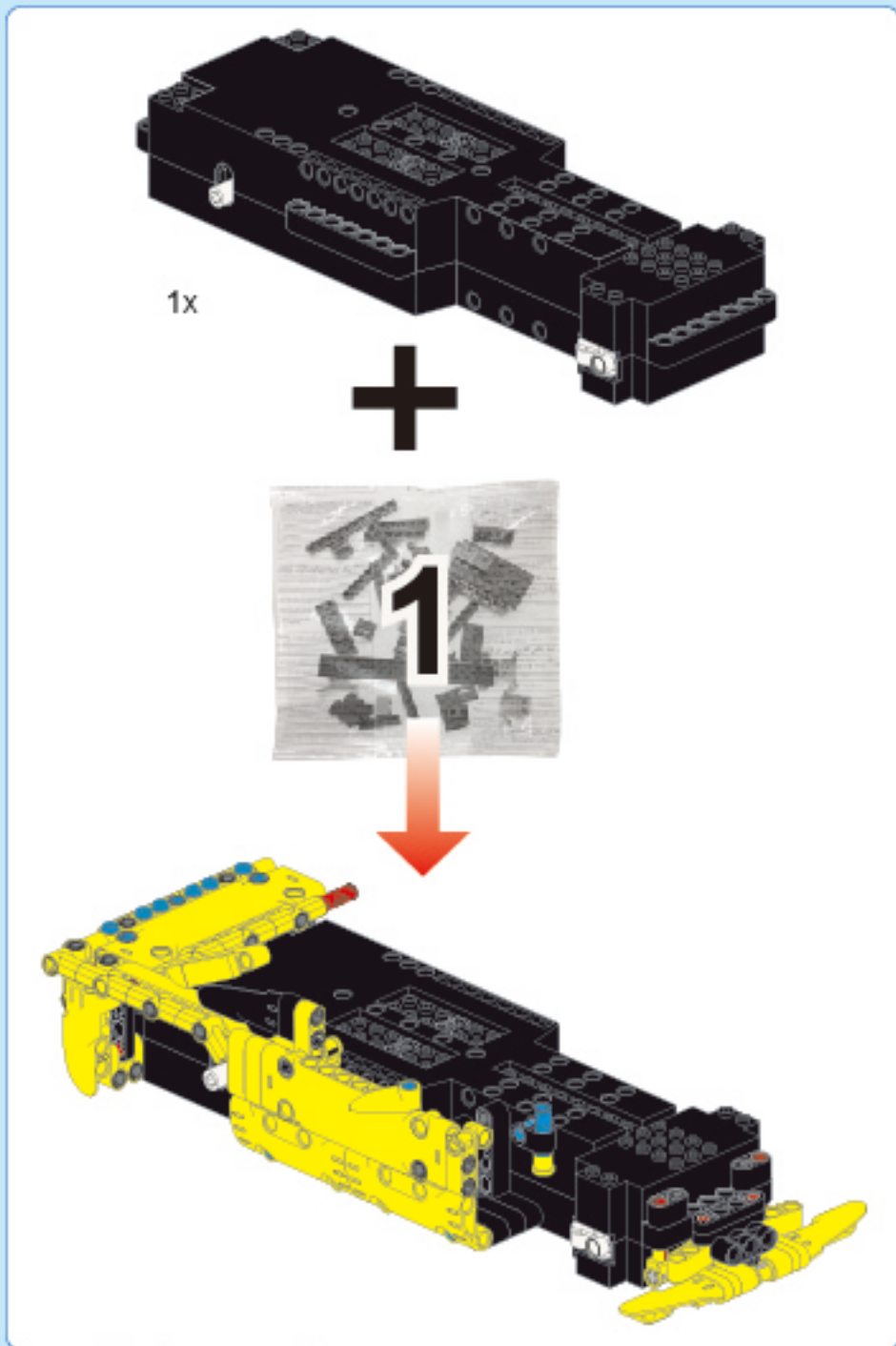
Operation for Electric-powered Device | 电动装置操作

Battery Cautions | 电池注意事项

- 1, The main control module with 4*1.5V AA non-rechargeable battery, and the remote control with 2*1.5V AAA non-rechargeable battery.
- 2, The putting in and taking out for batteries: Loosen the screw with a screwdriver, uncover the battery cover, insert in the battery correctly according to the polarity and voltage marks on the battery case, and lock the battery cover; Please remove the battery in reverse order.
- 3, Non-rechargeable batteries are not rechargeable.
- 4, Rechargeable batteries should be charged under adult supervision.
- 5, Do not use batteries with different types or old and new batteries at the same time.
- 6, Batteries of the same type or the same type as recommended could only be used.
- 7, Batteries should be inserted in by correct polarity.
- 8, Depleted batteries should be taken out from the product. If the product is idle for a while, please also take out batteries.
- 9, Do not short-circuit the power terminal.
- 10, Rechargeable batteries should be removed from toys before charging.

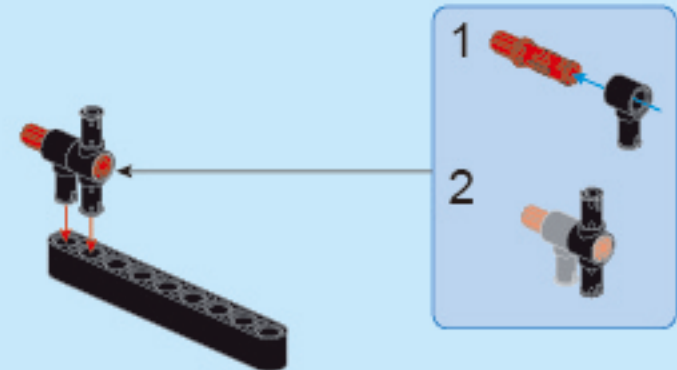
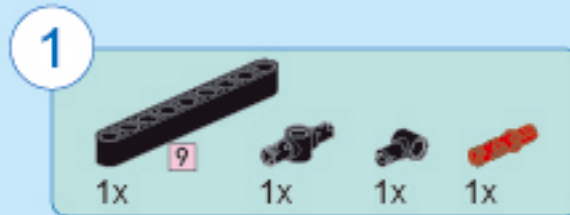
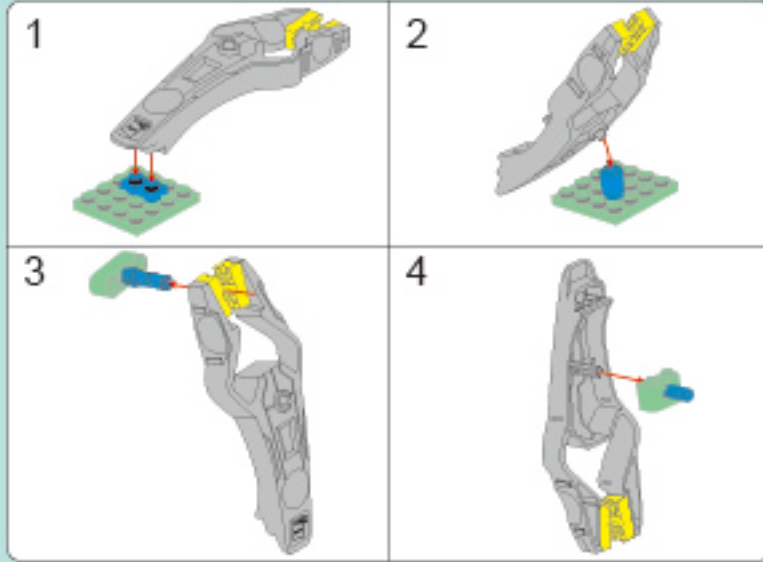
1. 动力模块使用4*1.5V AA非充电电池，遥控器使用2*1.5V AAA非充电电池。
2. 电池装入和取出：用螺丝刀松螺丝钉，揭开电池盖，按玩具电池室上的极性和电压标志正确安装电池，并锁上电池盖；取出电池时，按相反顺序操作。
3. 非充电电池不能充电。
4. 充电电池需在成人监护下充电。
5. 不同类型的电池或新旧电池不能混用。
6. 型号相同或与推荐型号等同的电池才可以使用。
7. 电池应以正确的极性放入。
8. 用尽的电池应从玩具中取出，若长时间不使用，请将玩具中电池取出。
9. 电源端子不得短路。
10. 充电电池在充电前应从玩具中取出。





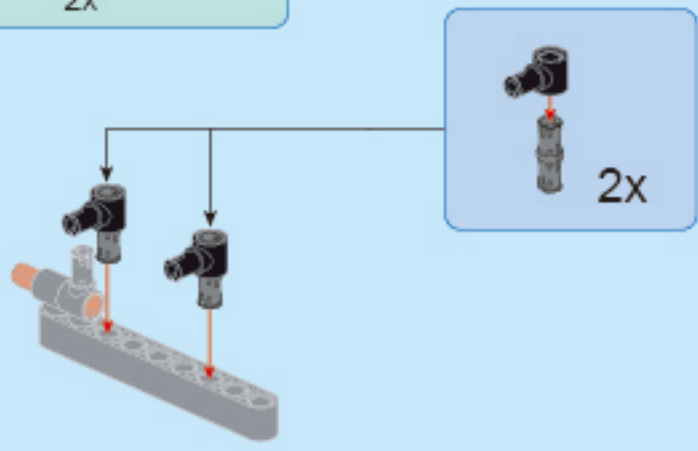
拆件器使用方法，仅为示例

Usage of Brick Separator, Just for the sample



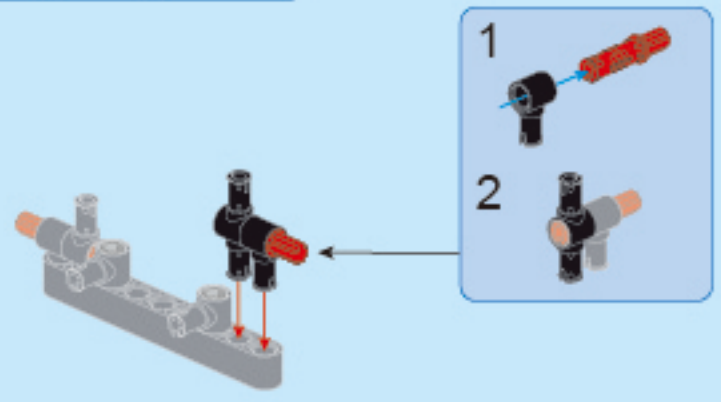
2

2x 2x



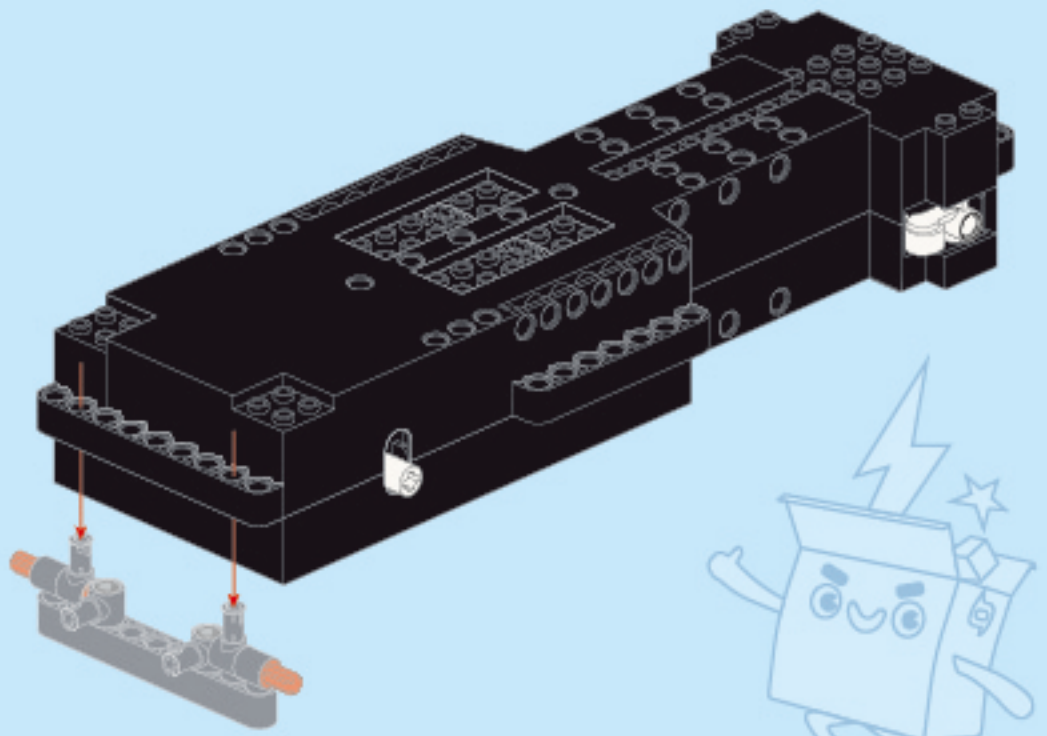
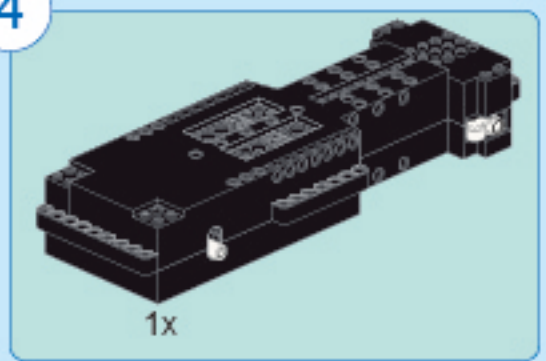
3

1x 1x 1x

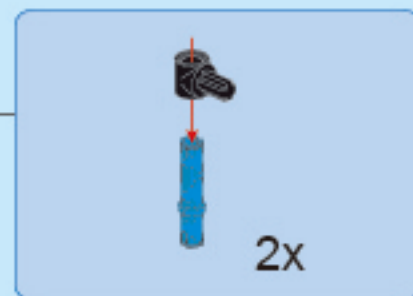
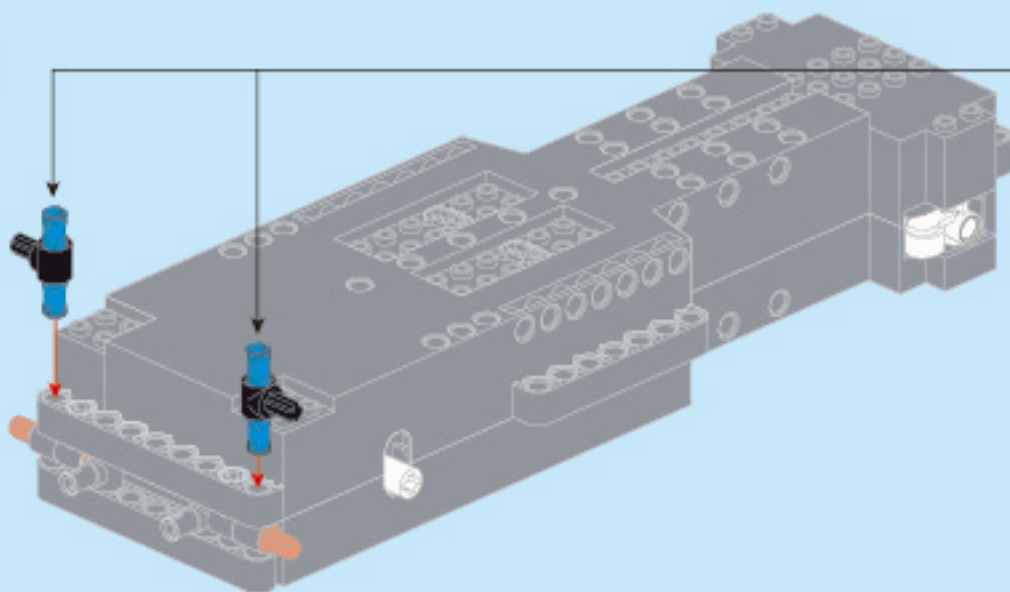
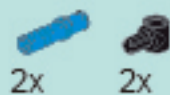


4

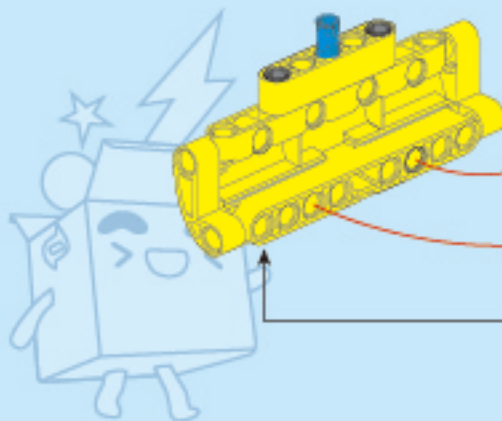
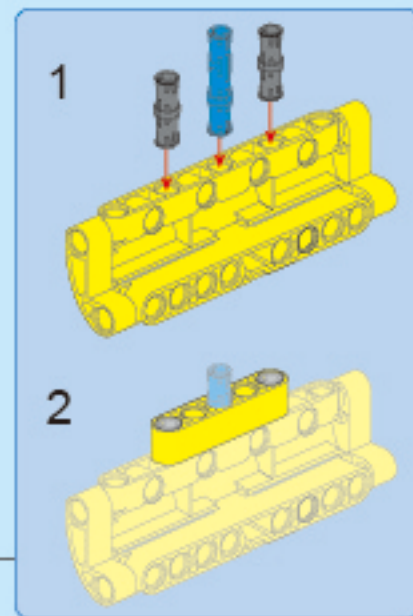
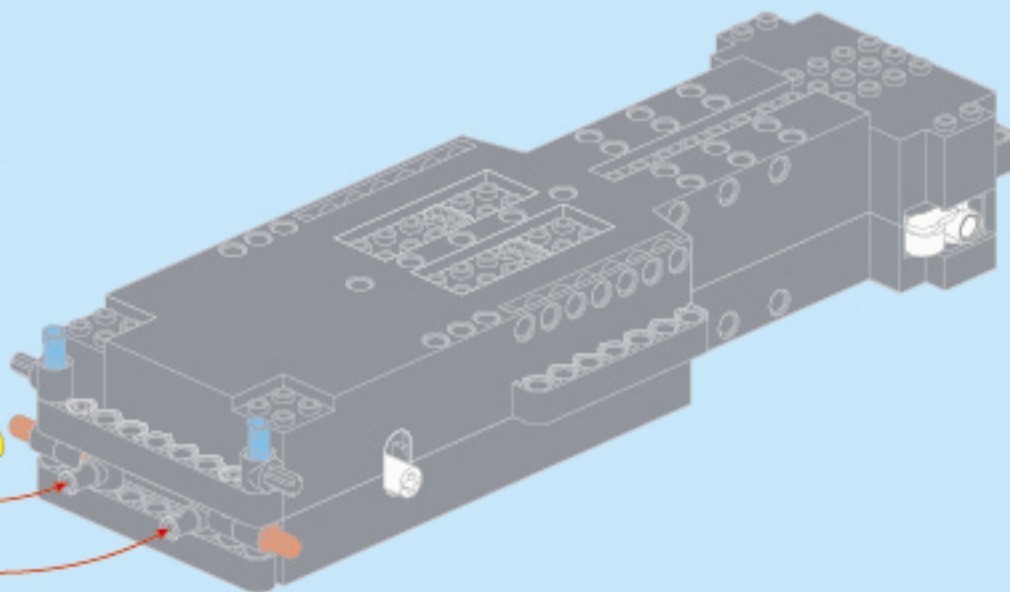
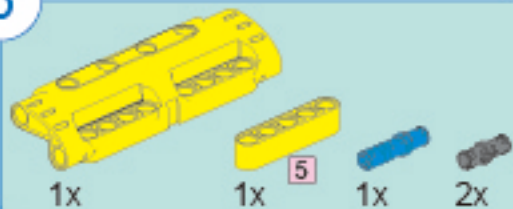
1x



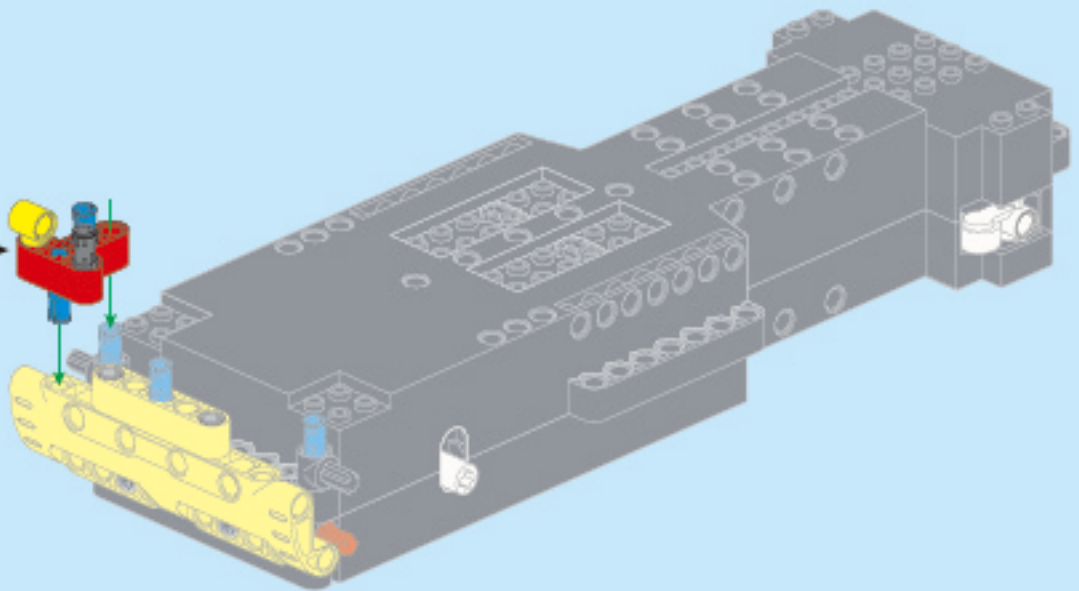
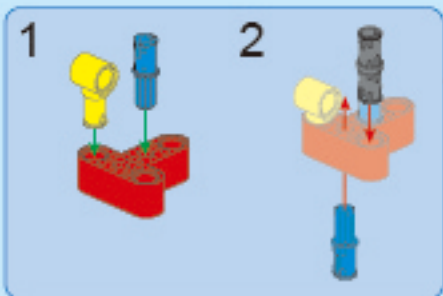
5



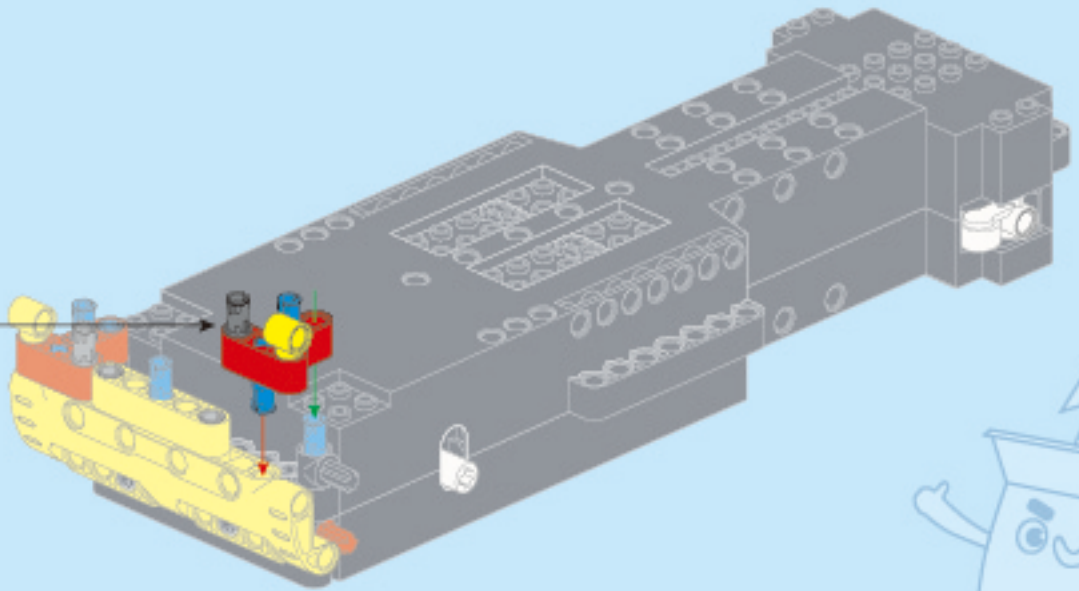
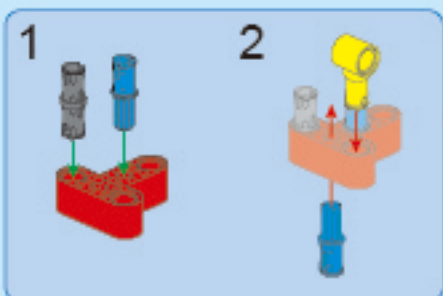
6



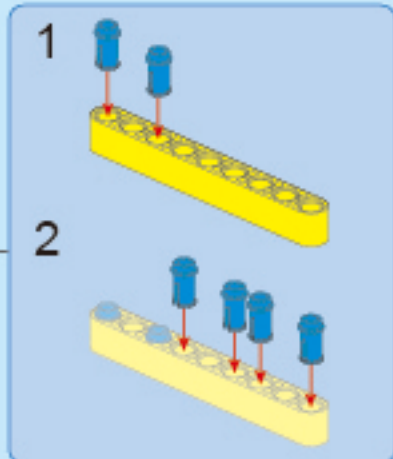
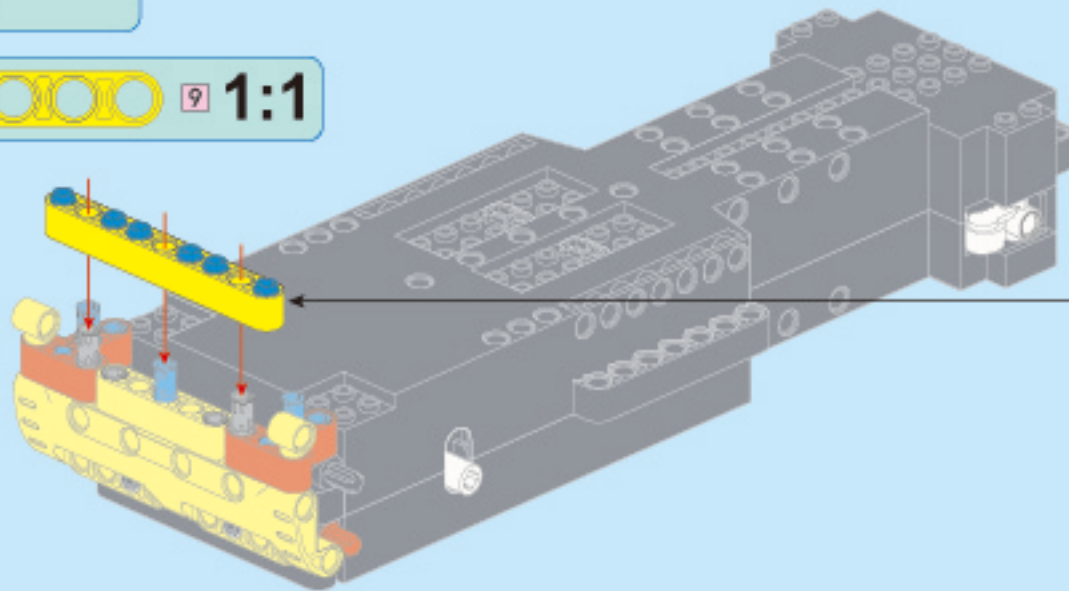
7



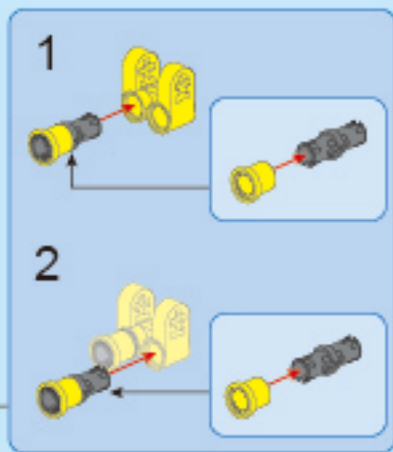
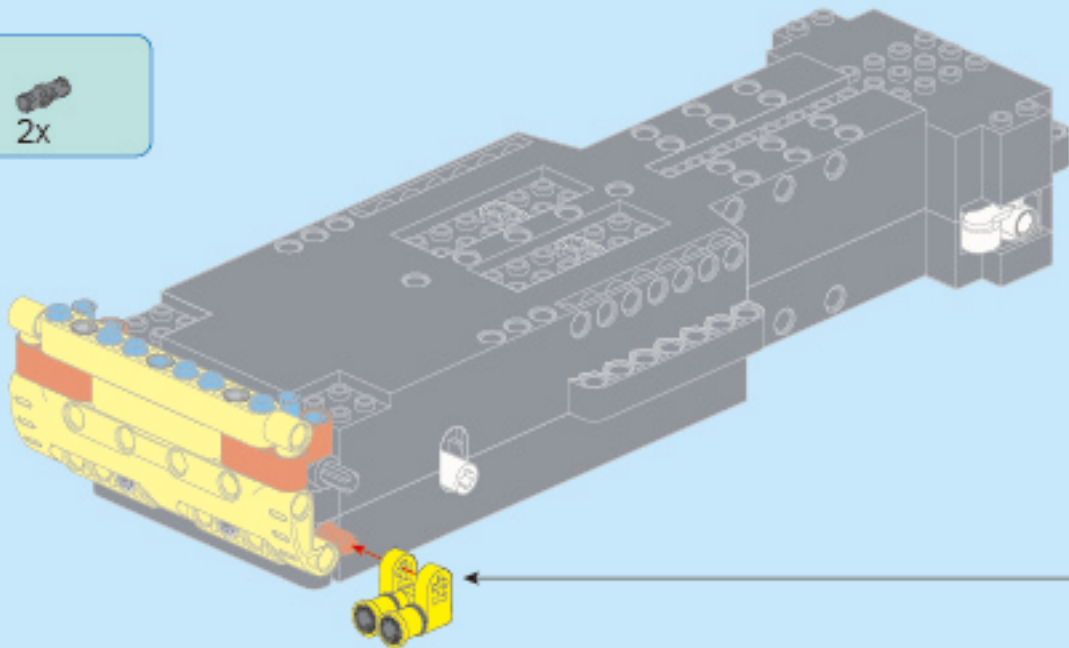
8

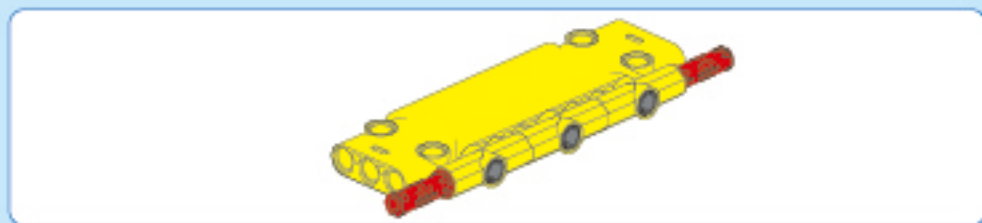


9



10





2 **1:1**

11

1x 1x 1x ²



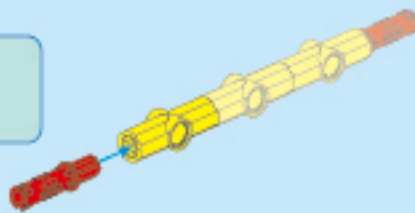
12

1x 1x ²



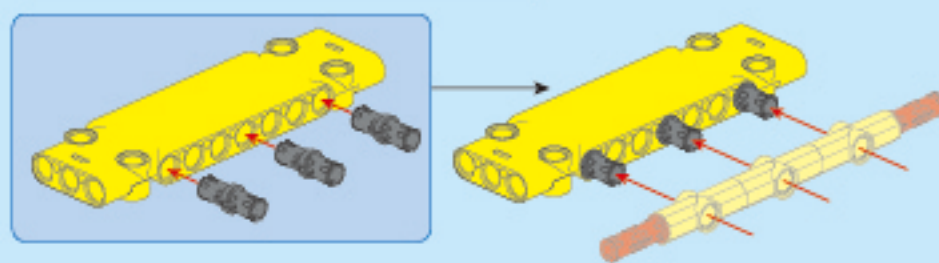
13

1x 1x



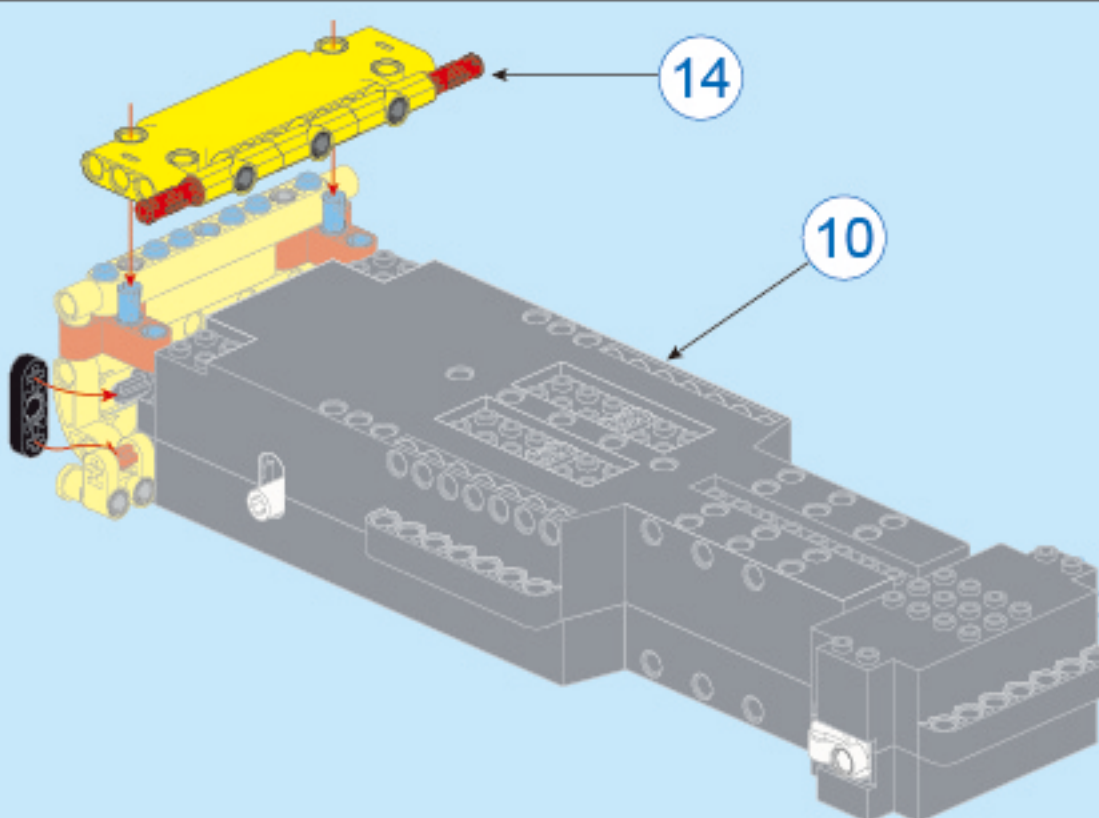
14

1x 3x

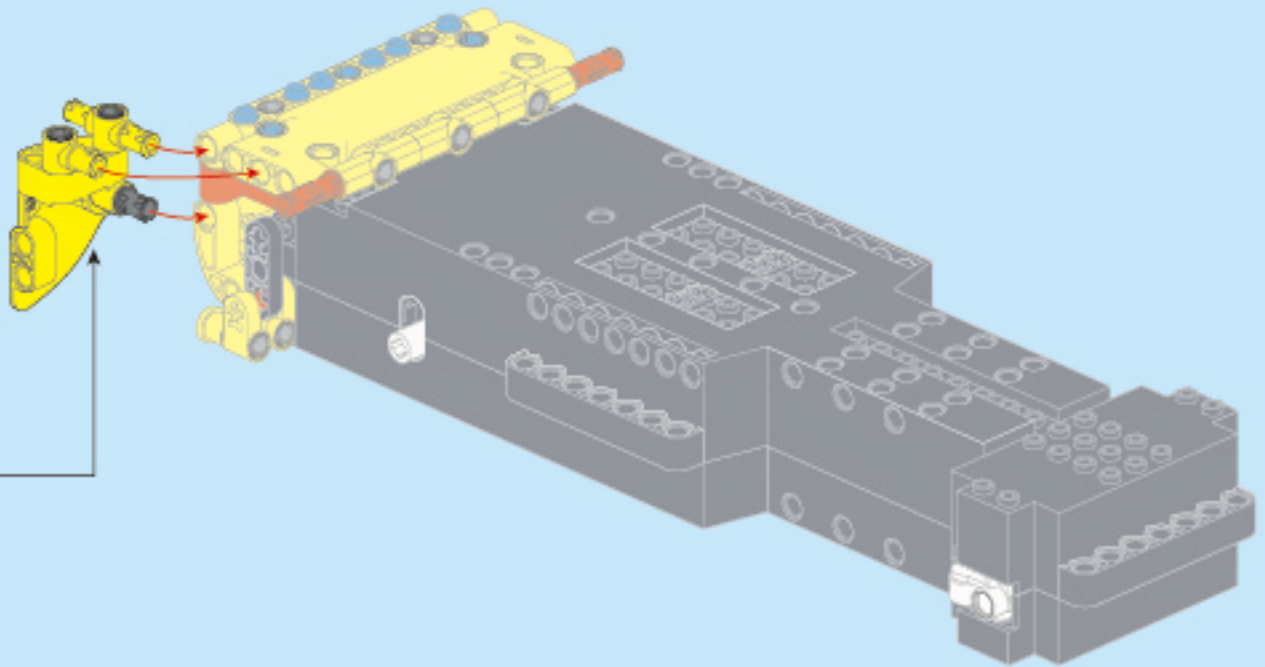
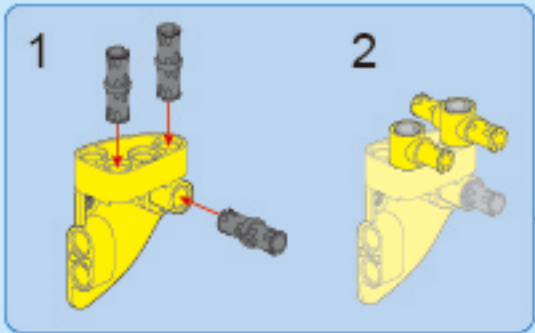


15

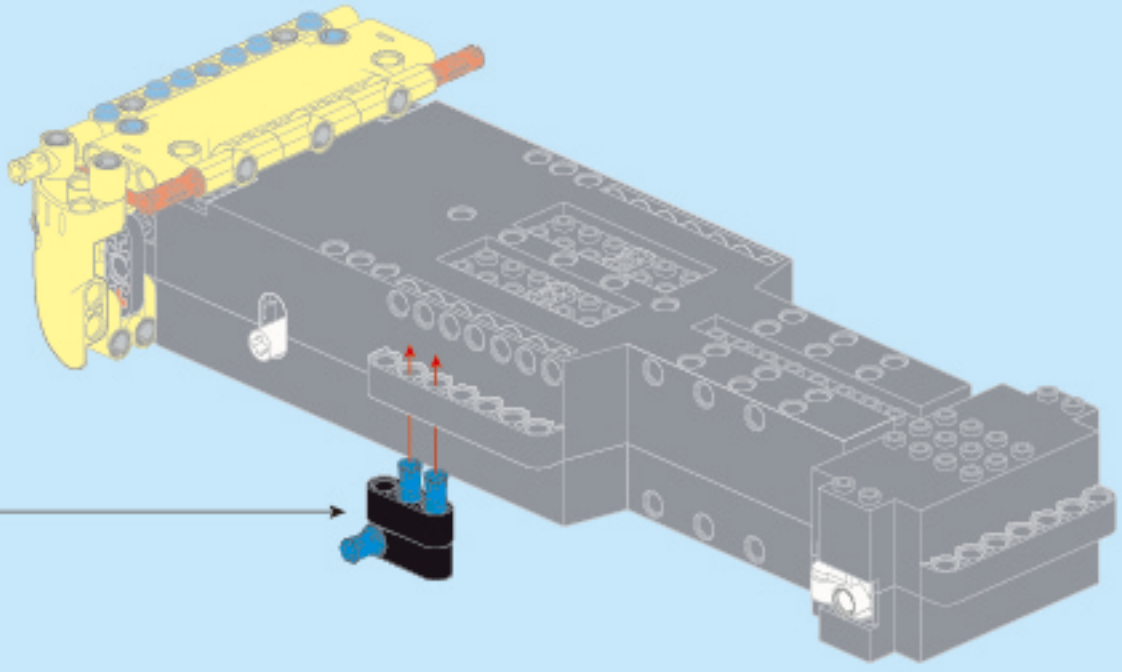
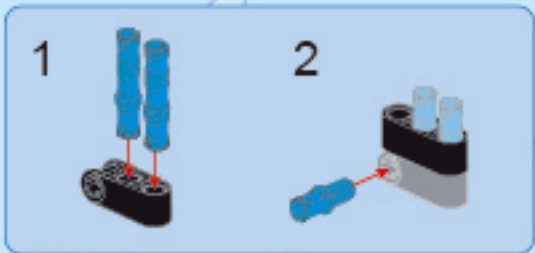
1x



16

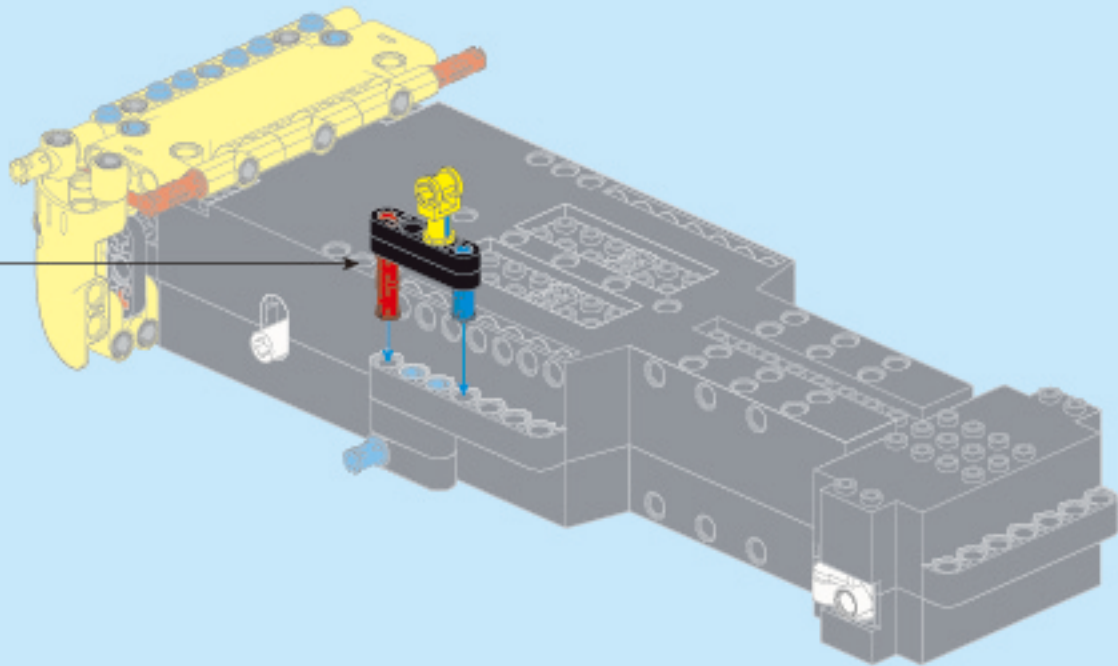
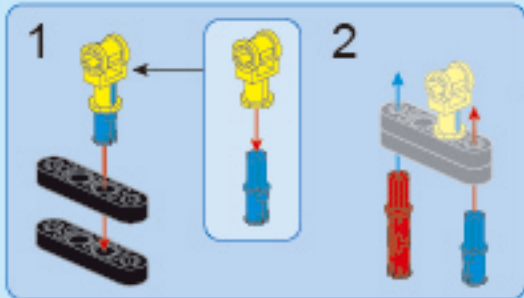


17



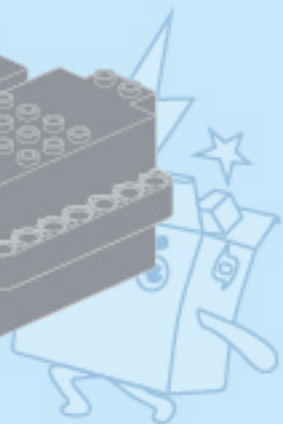
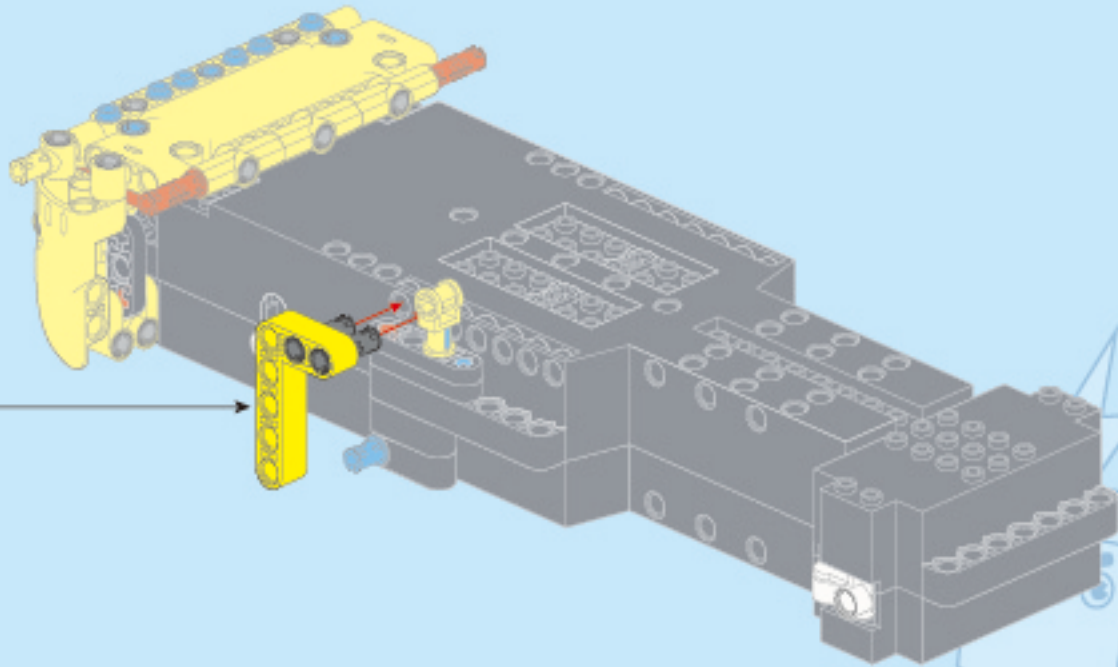
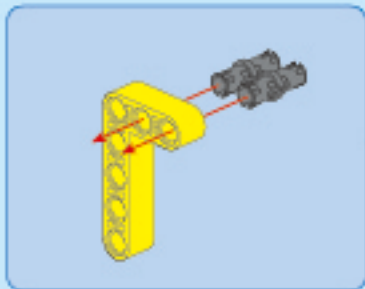
18

2x 1x 1x 2x

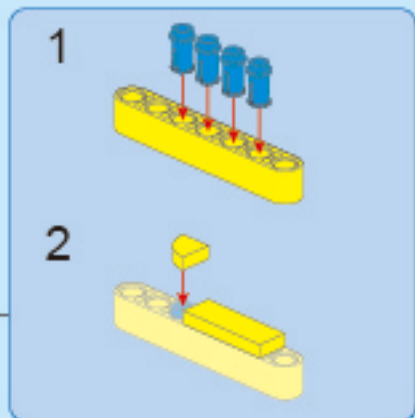
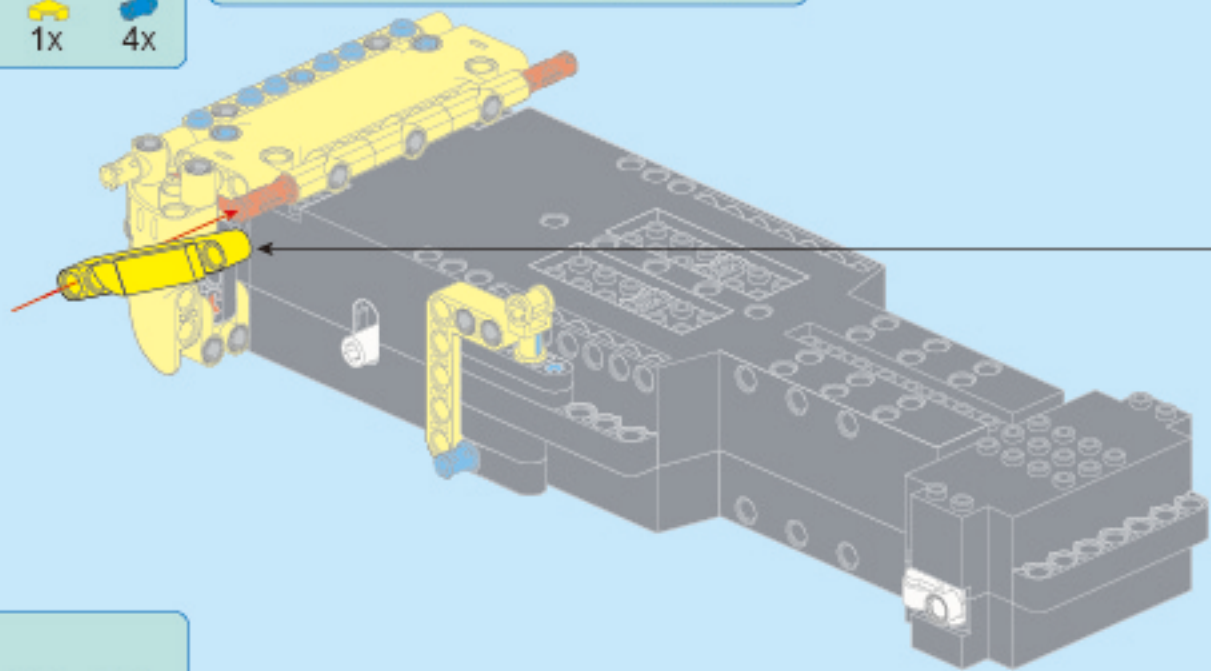
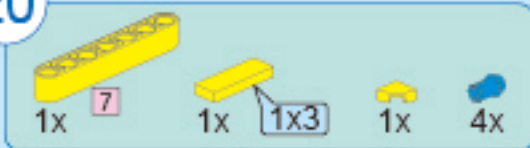


19

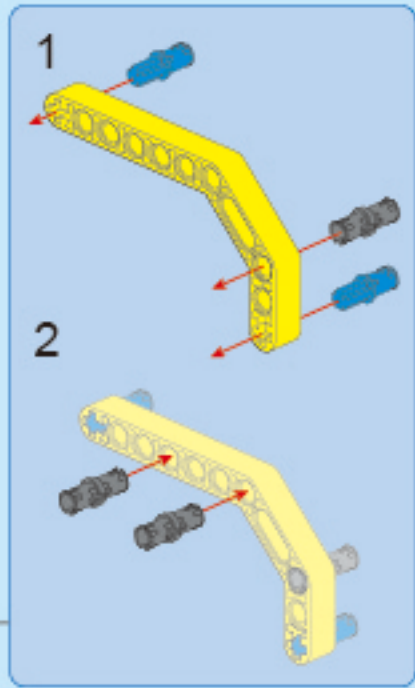
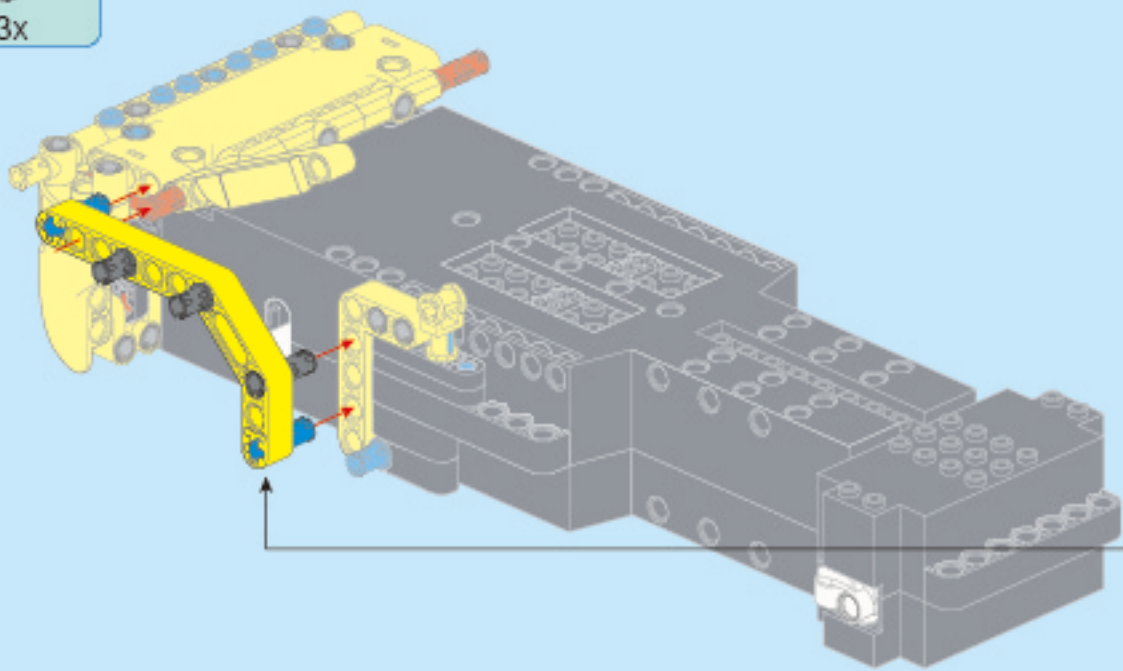
1x 2x



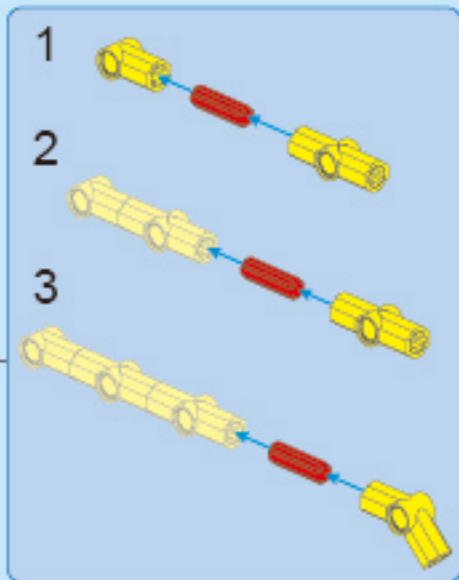
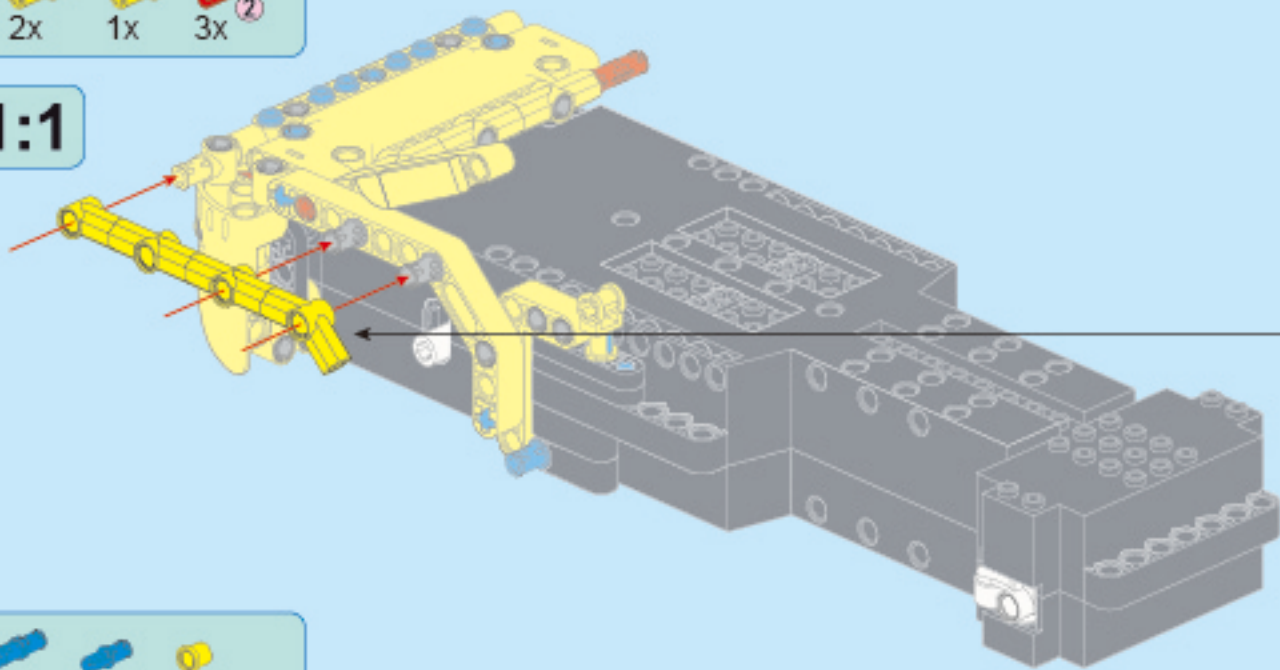
20



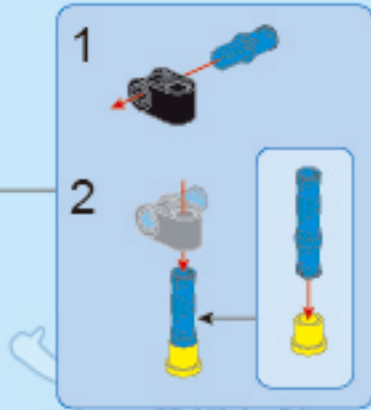
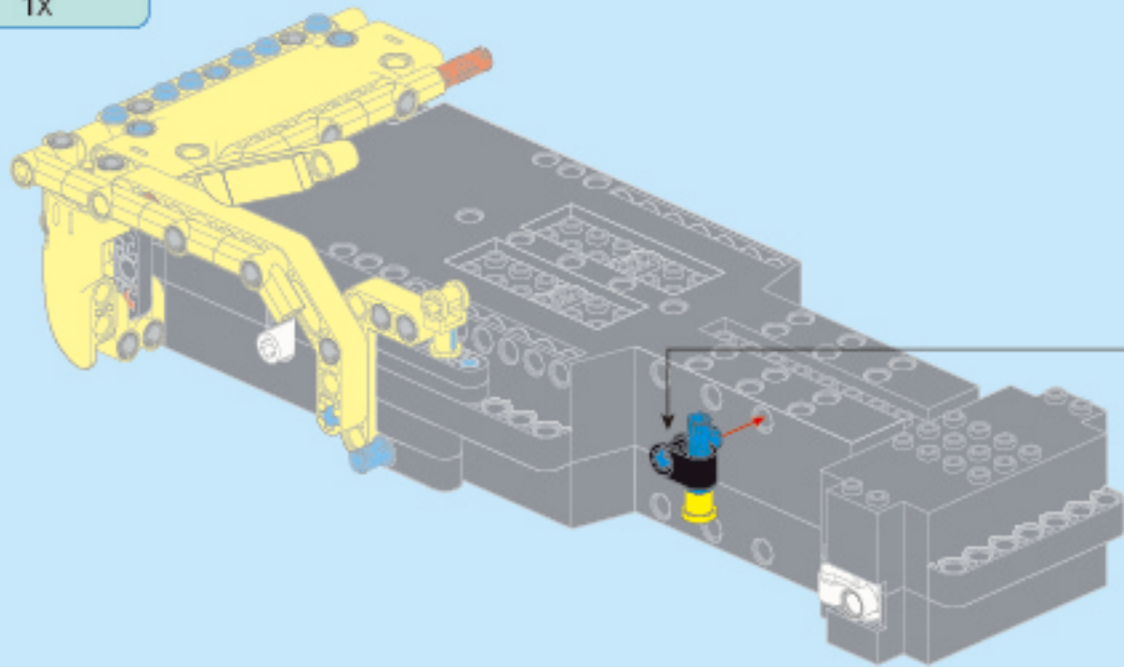
21

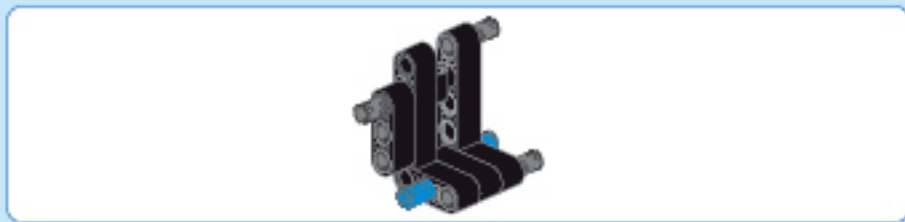


22

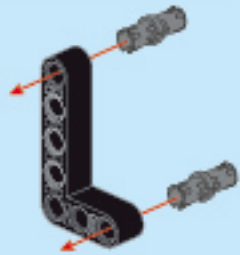


23

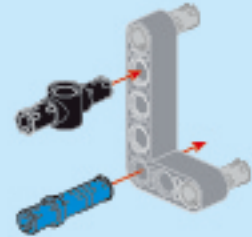




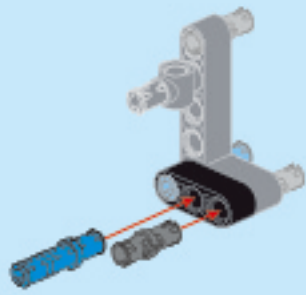
24



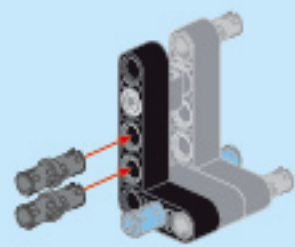
25



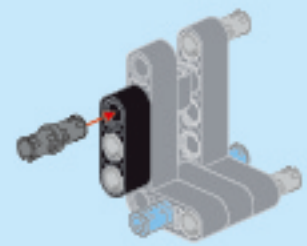
26



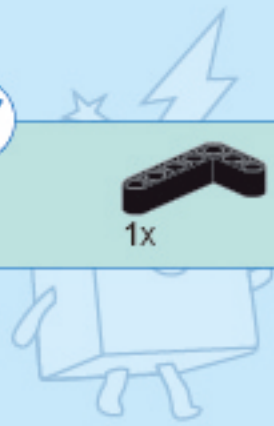
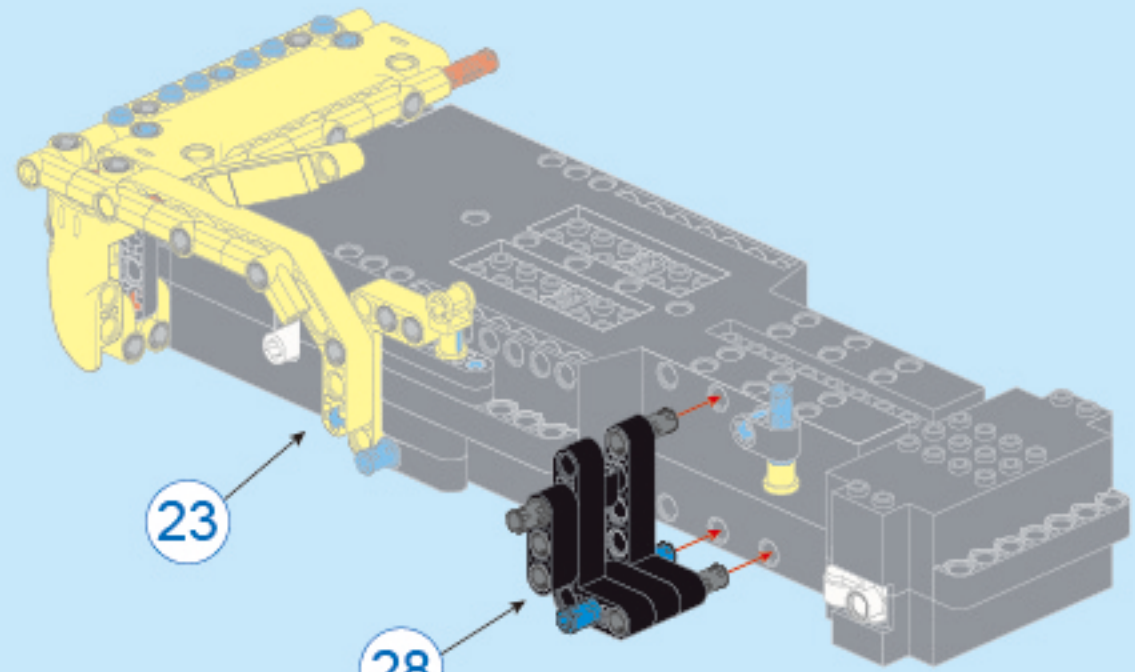
27

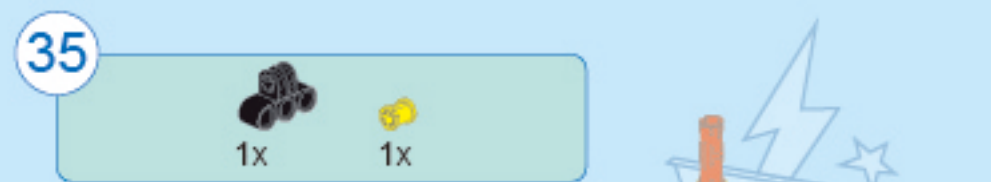
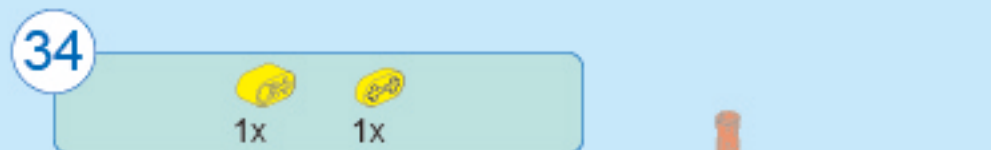
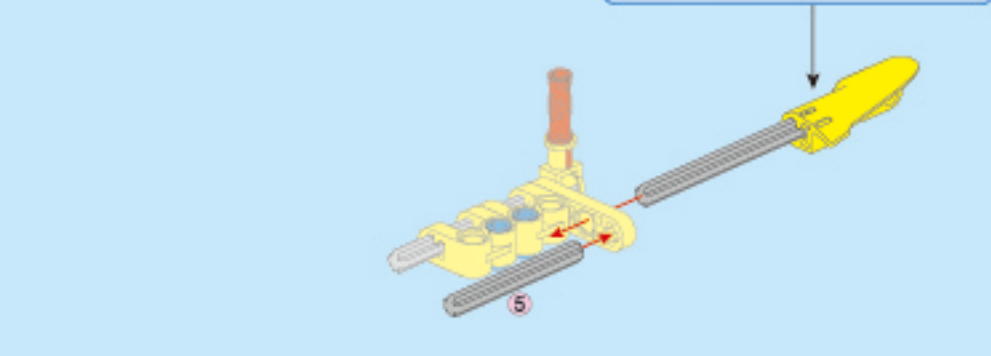
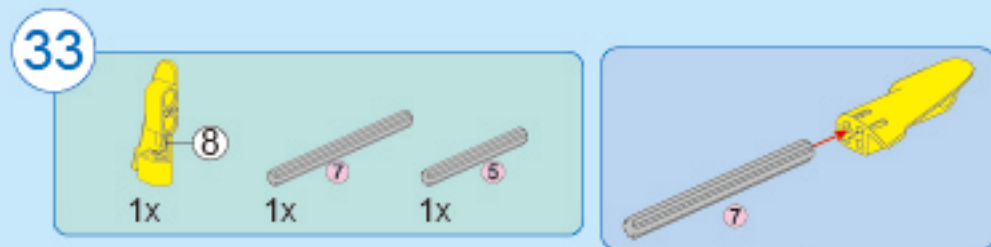
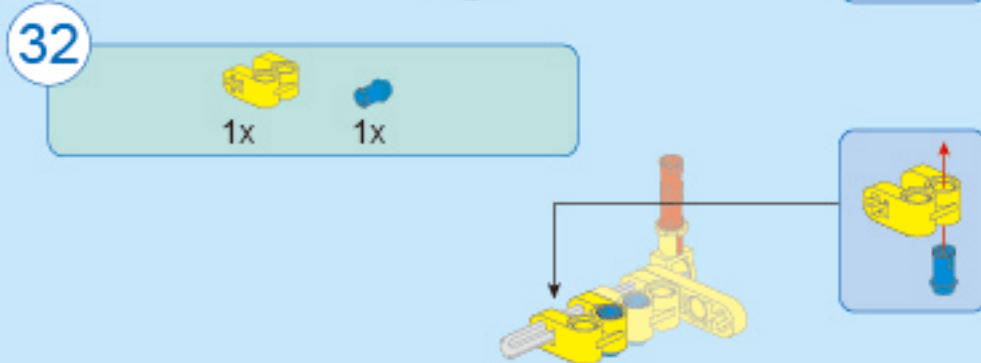
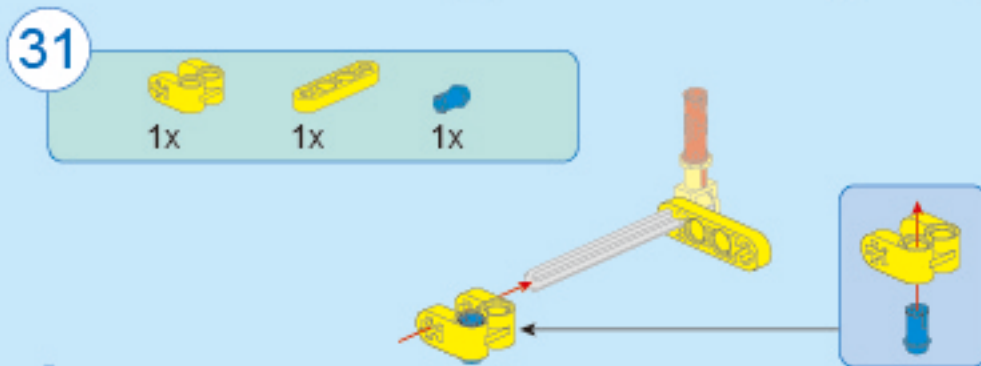
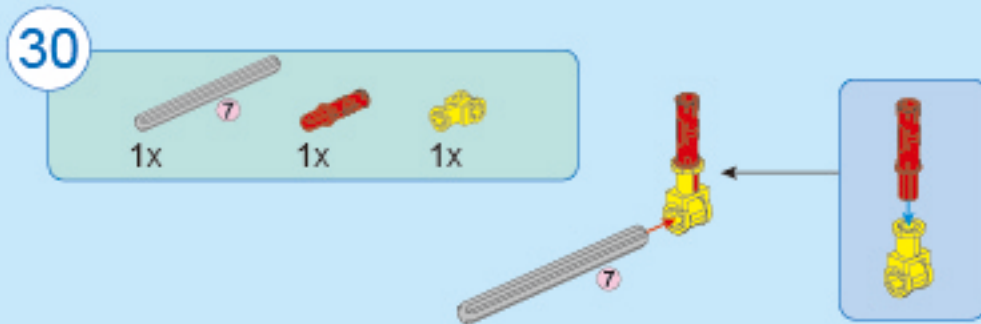
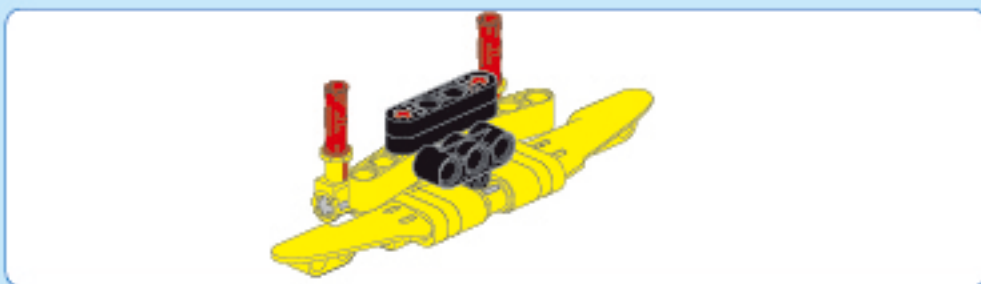


28



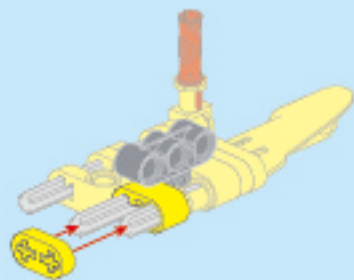
29





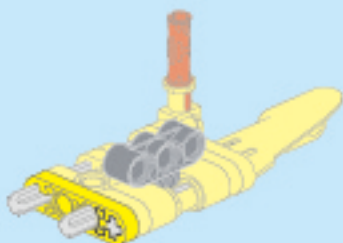
36

1x 1x



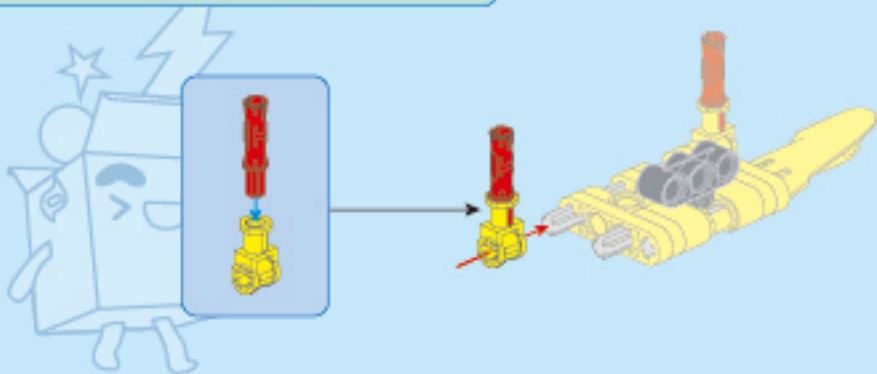
37

1x



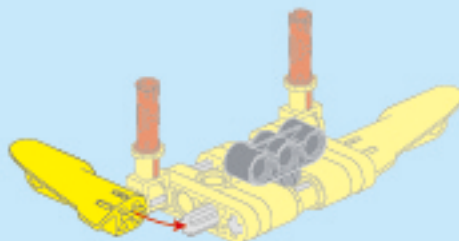
38

1x 1x



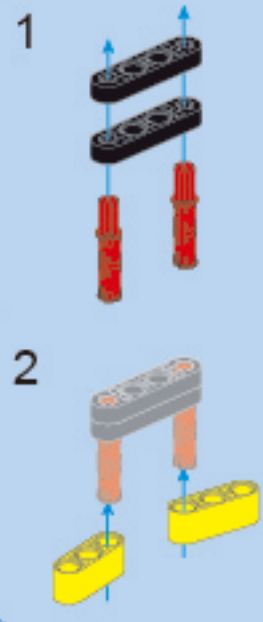
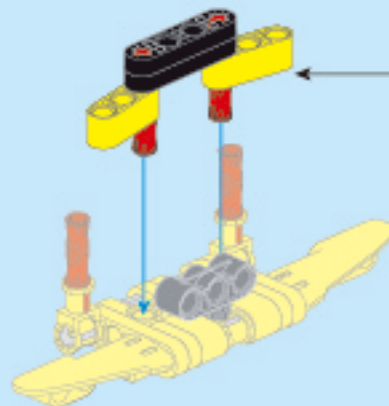
39

7 1x

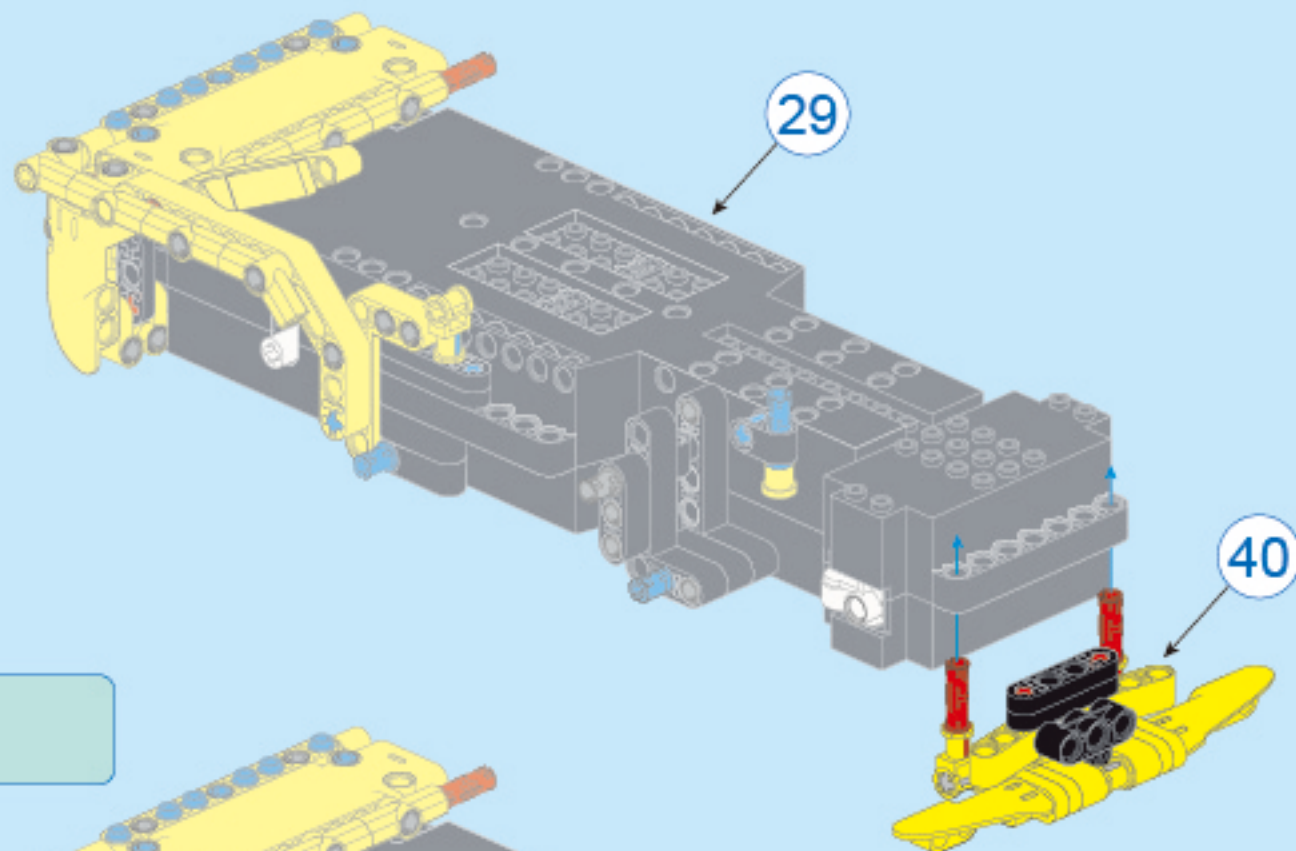


40

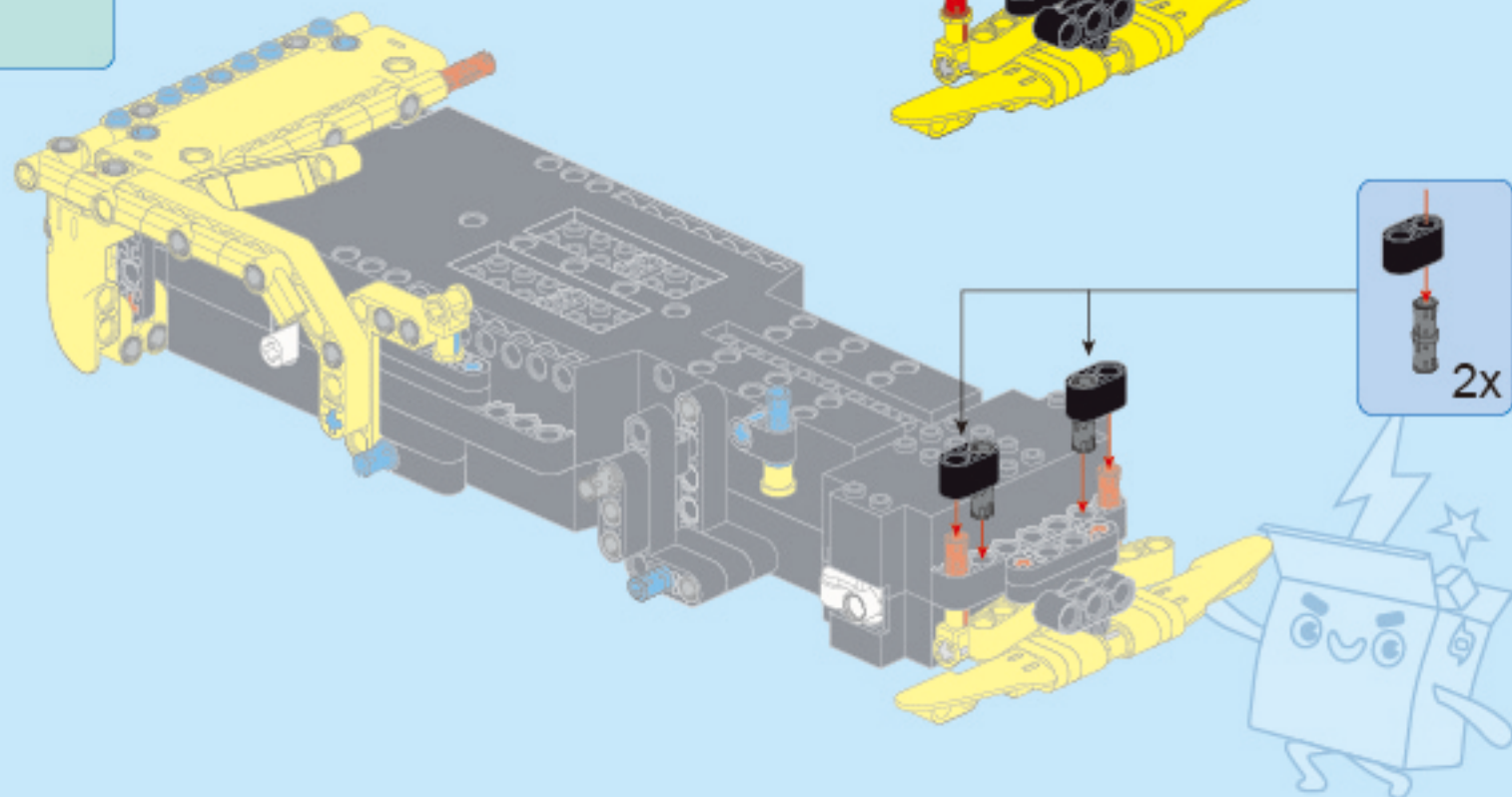
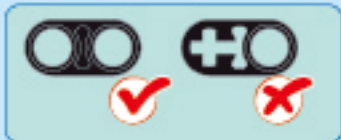
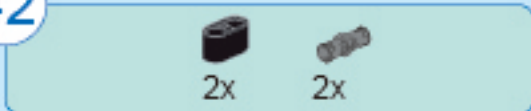
2x 2x 2x

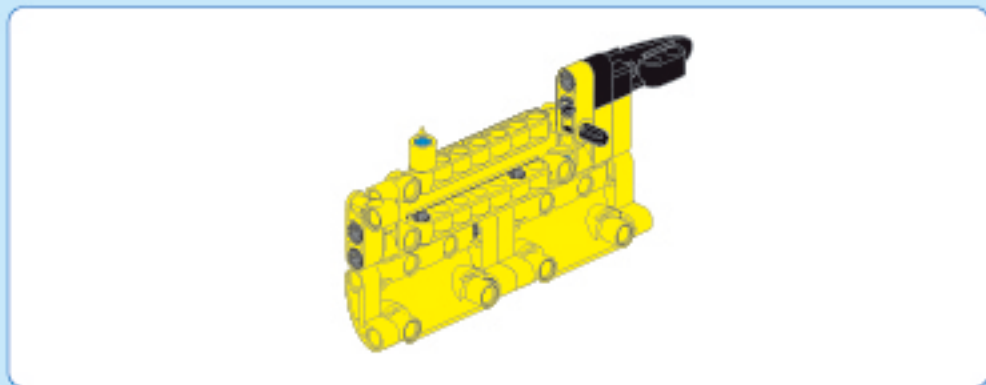


41

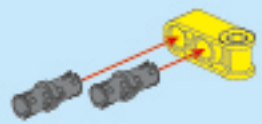


42

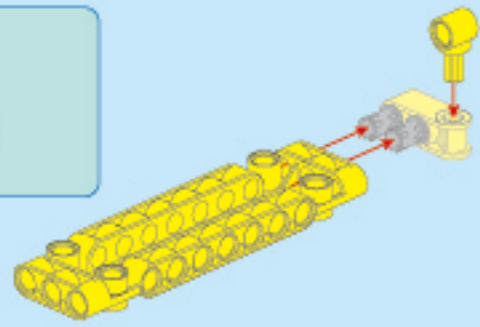




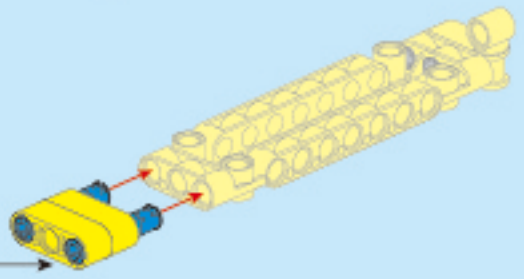
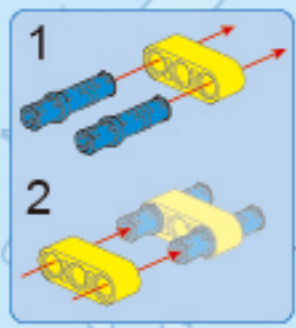
43



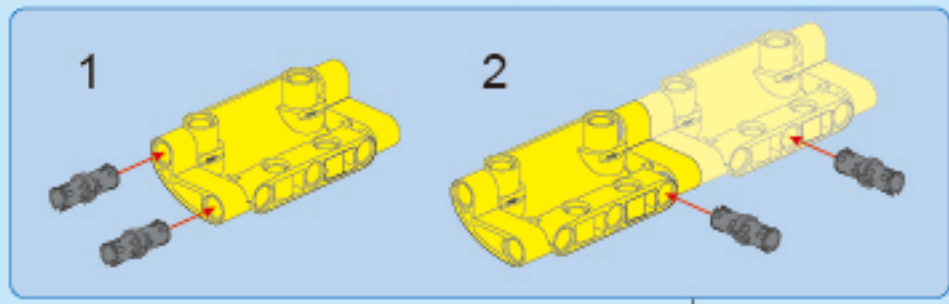
44



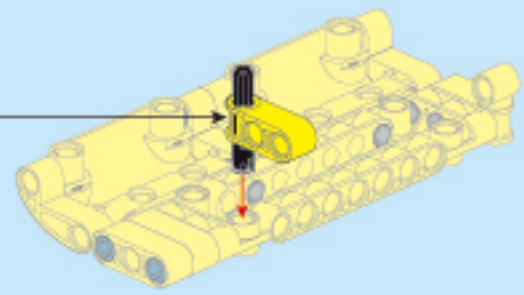
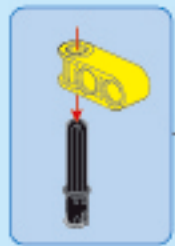
45



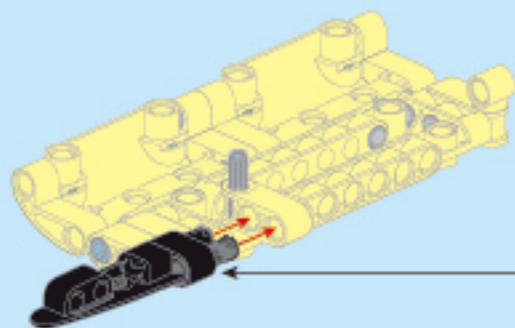
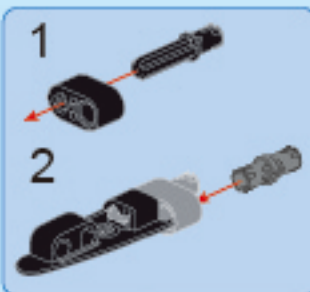
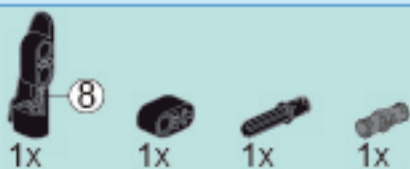
46



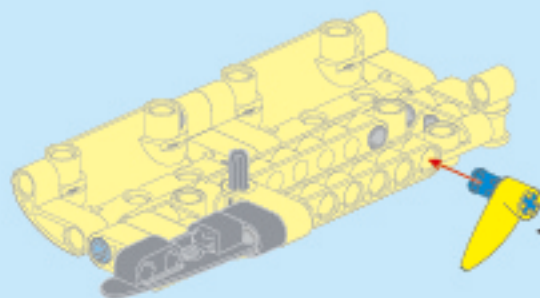
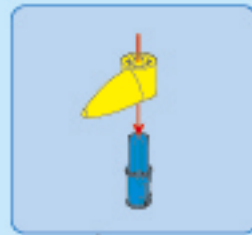
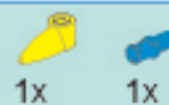
47



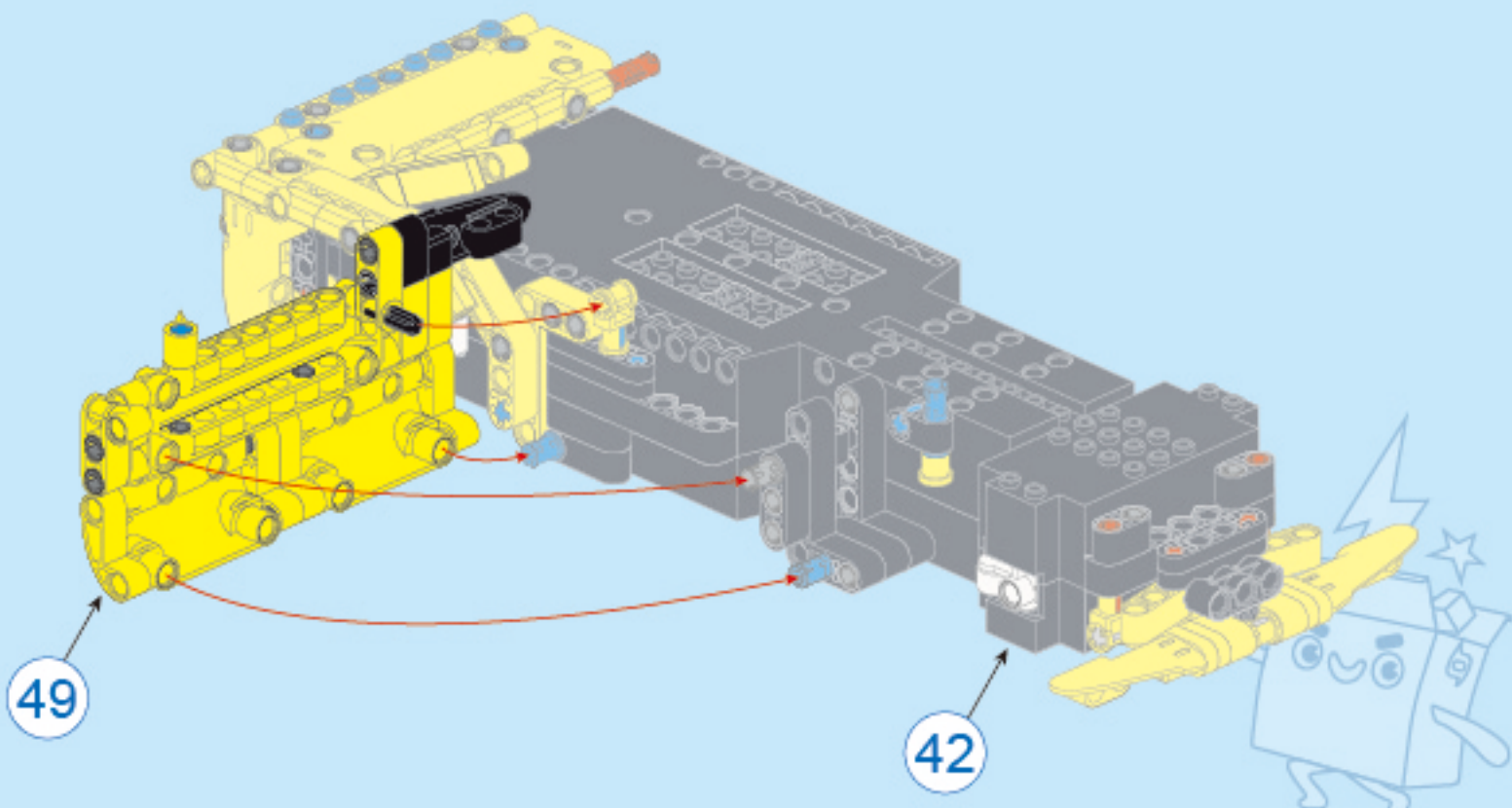
48

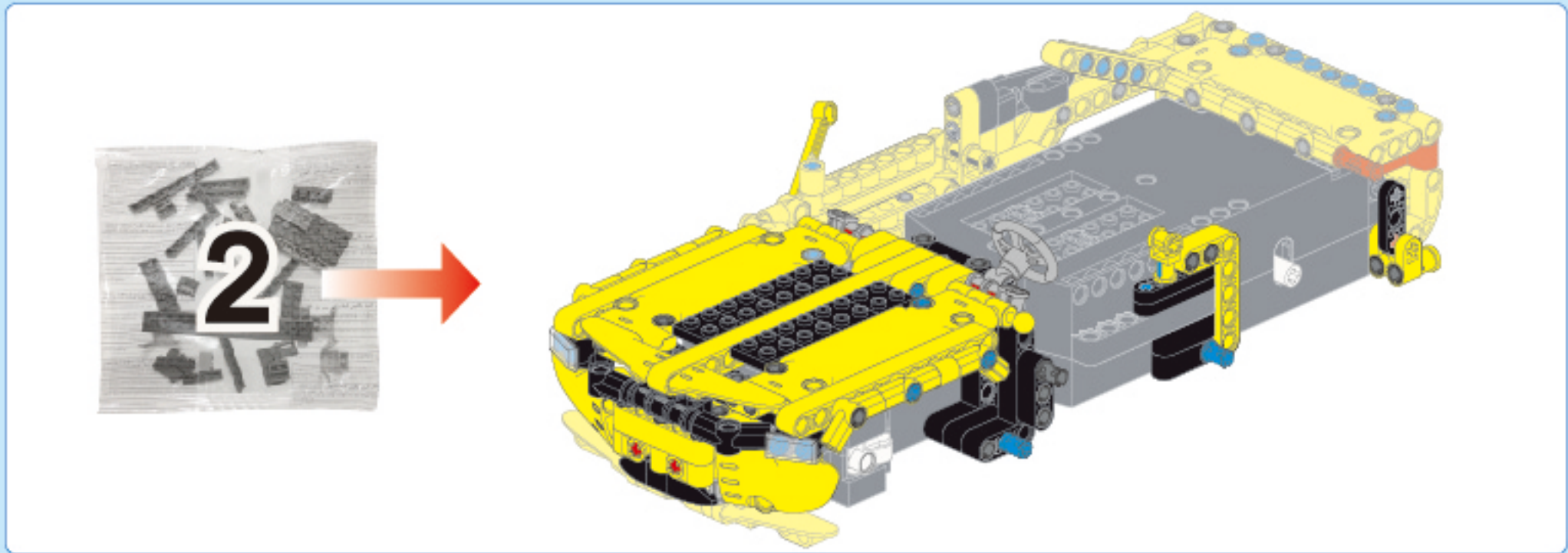


49



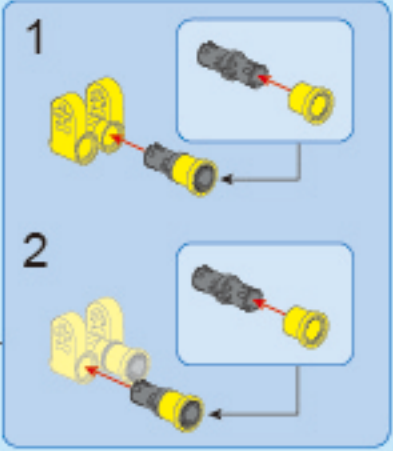
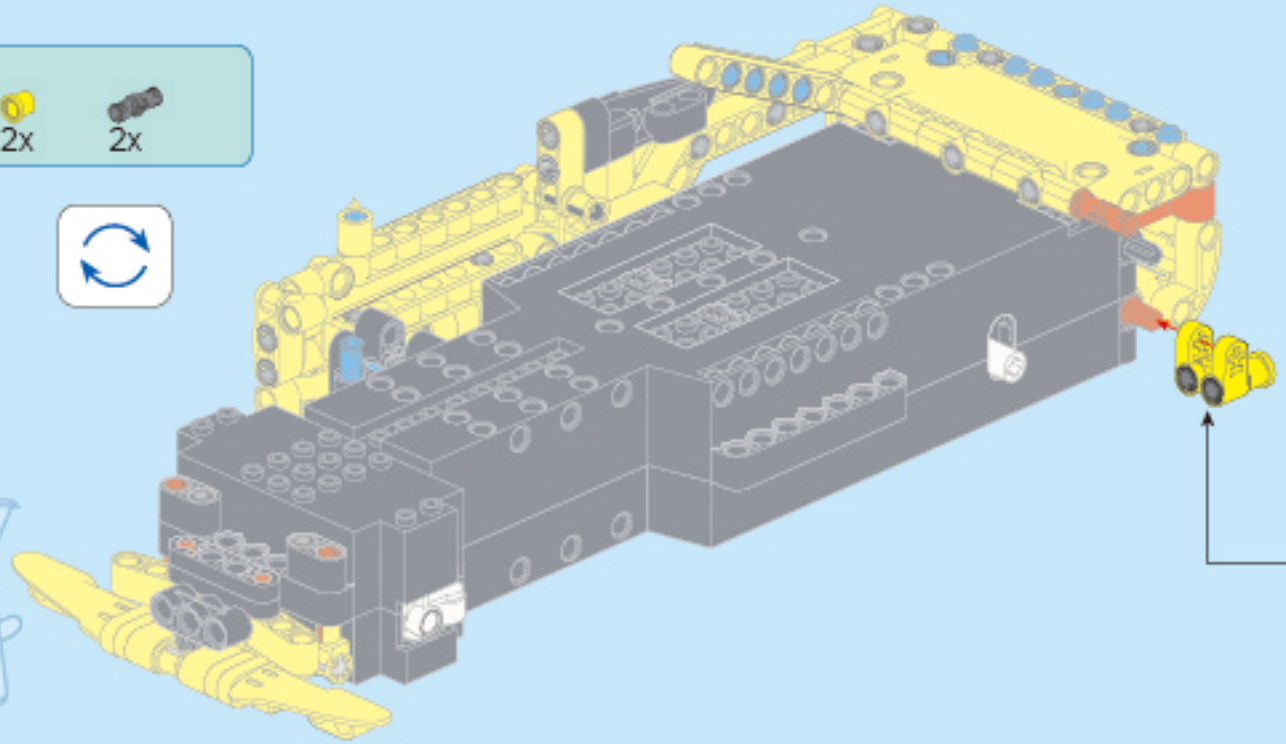
50





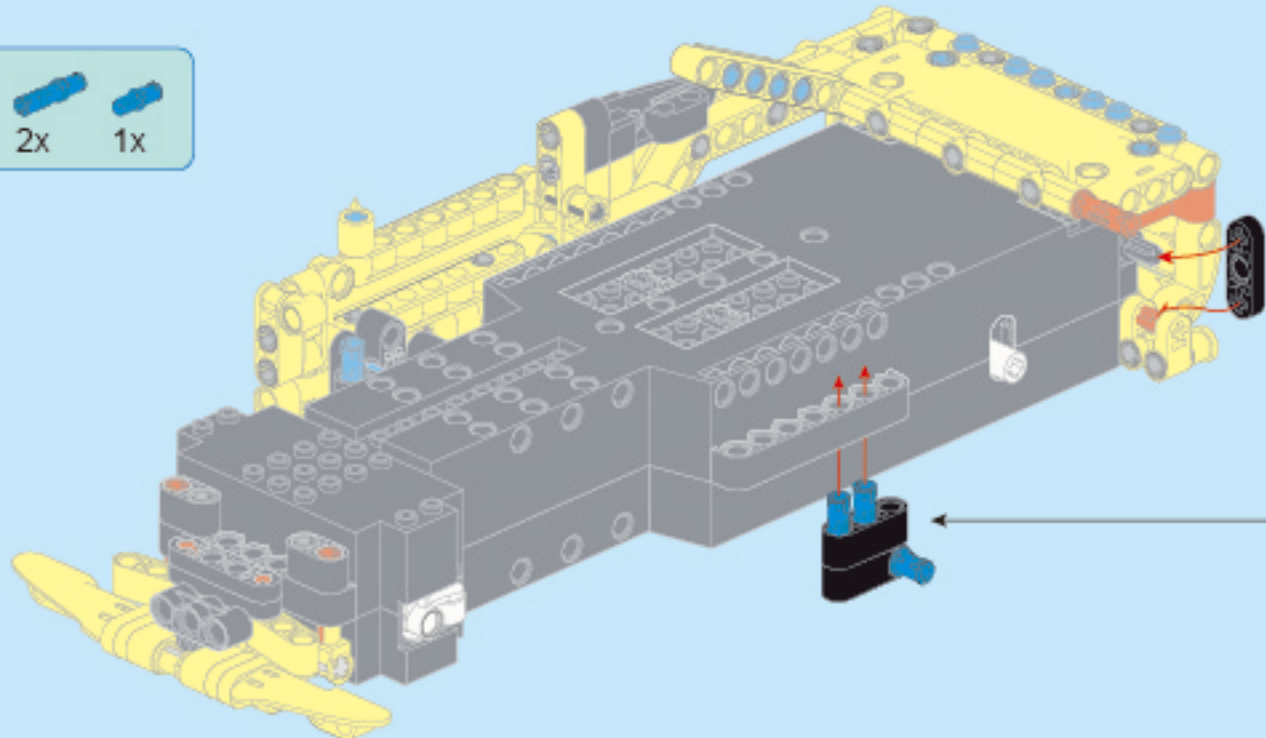
51

- 1x 
- 2x 
- 2x 



52

- 1x [Black 1x Technic Pin]
- 1x [Black 1x Technic Pin]
- 1x [Black 1x Technic Pin]
- 2x [Blue 1x Technic Pin]
- 1x [Blue 1x Technic Pin]

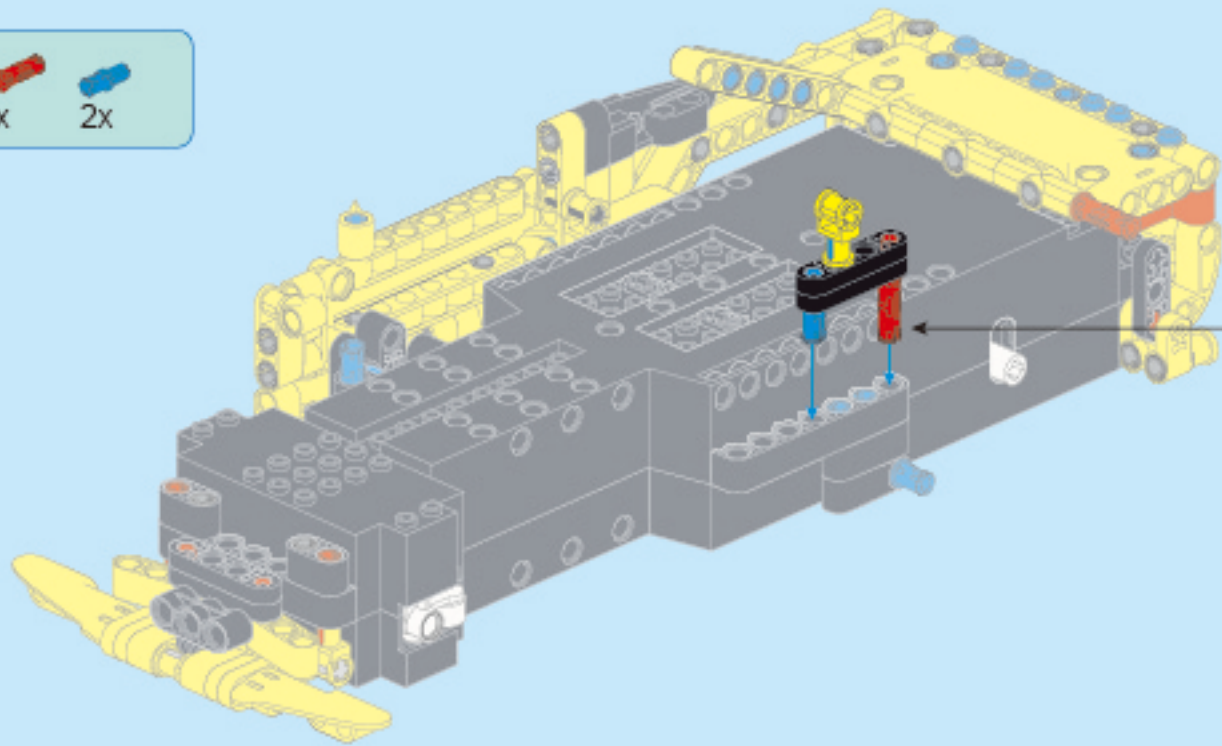


1

2

53

- 2x [Black 1x Technic Pin]
- 1x [Yellow 1x Technic Pin]
- 1x [Red 1x Technic Pin]
- 2x [Blue 1x Technic Pin]



1

2



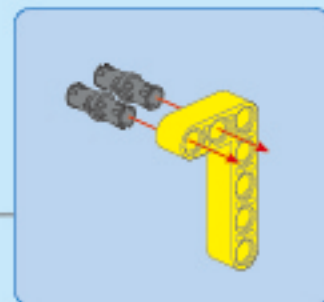
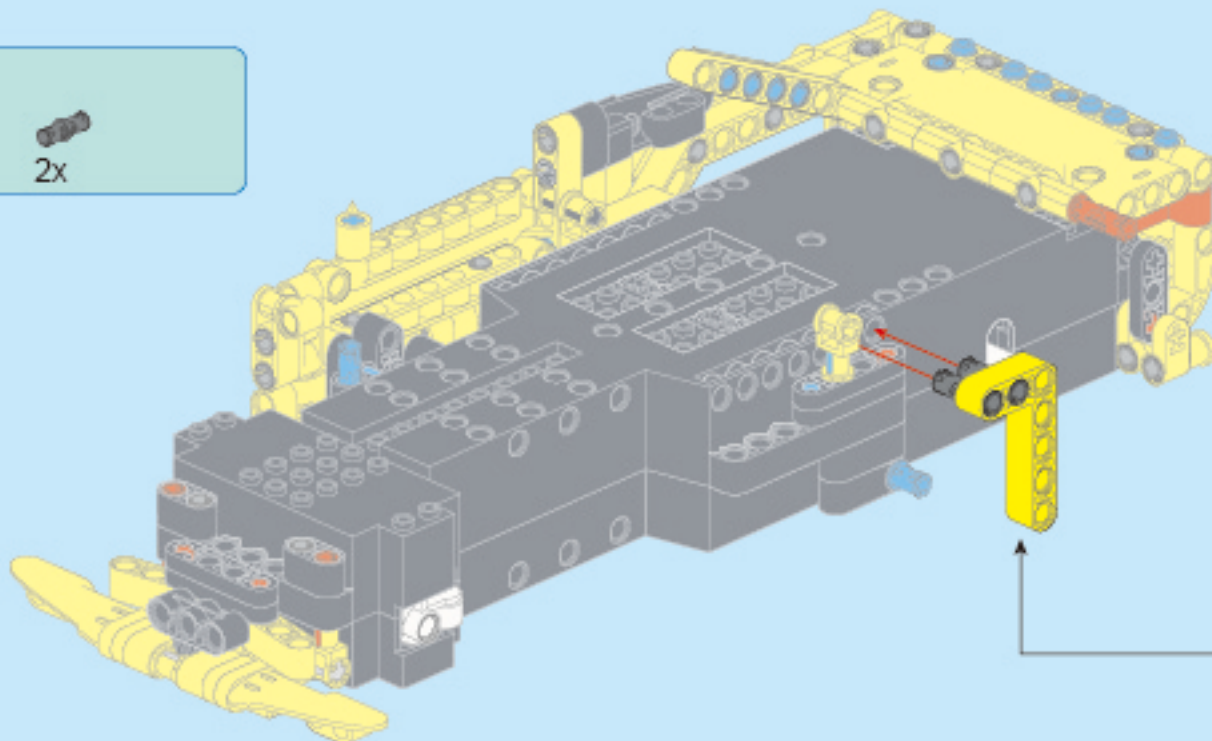
54



1x



2x



55



1x



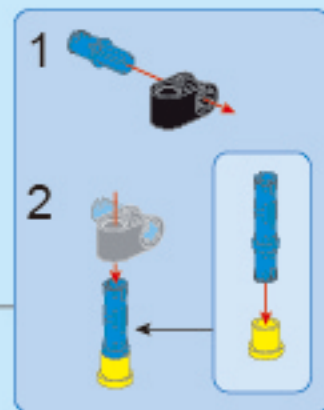
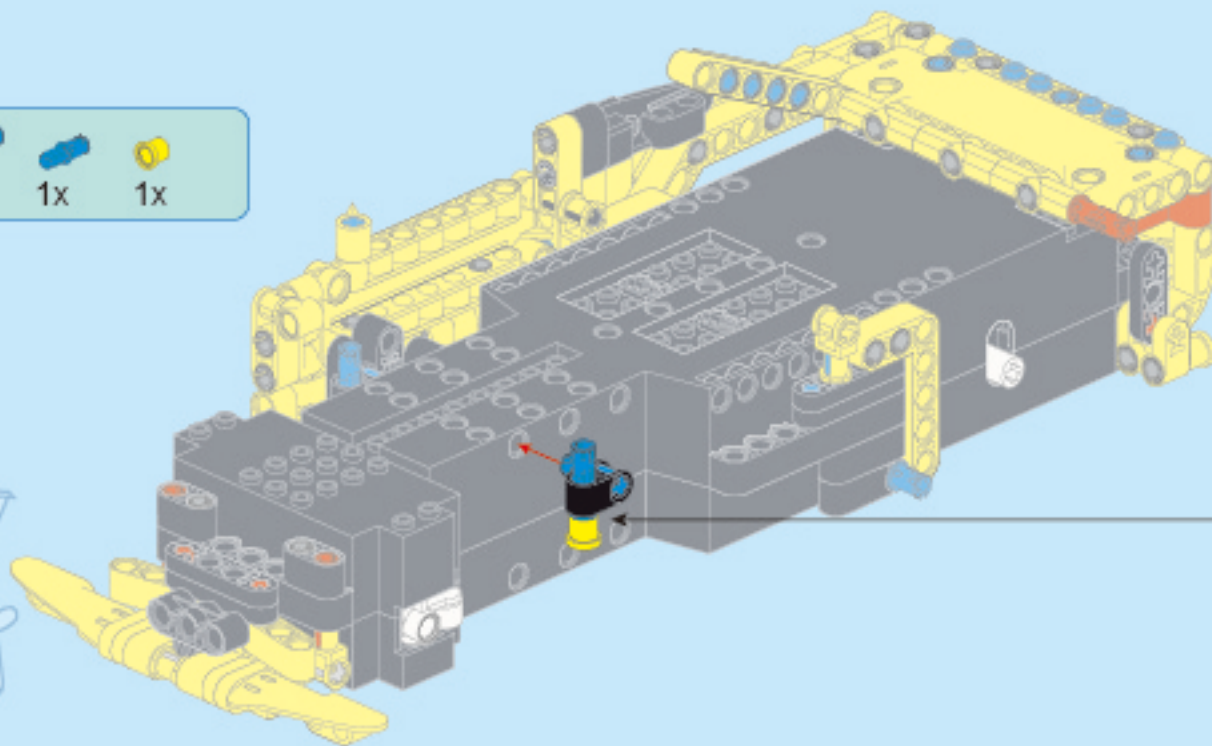
1x



1x

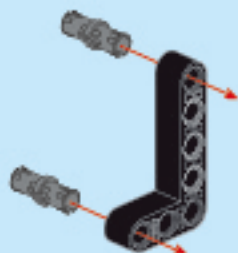


1x

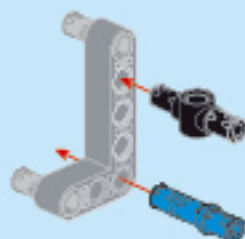




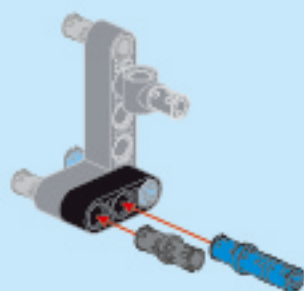
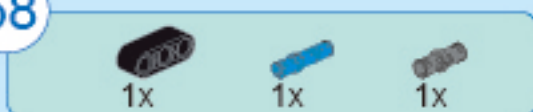
56



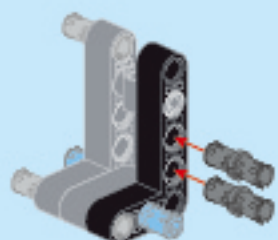
57



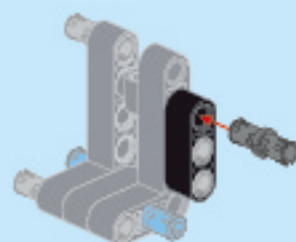
58



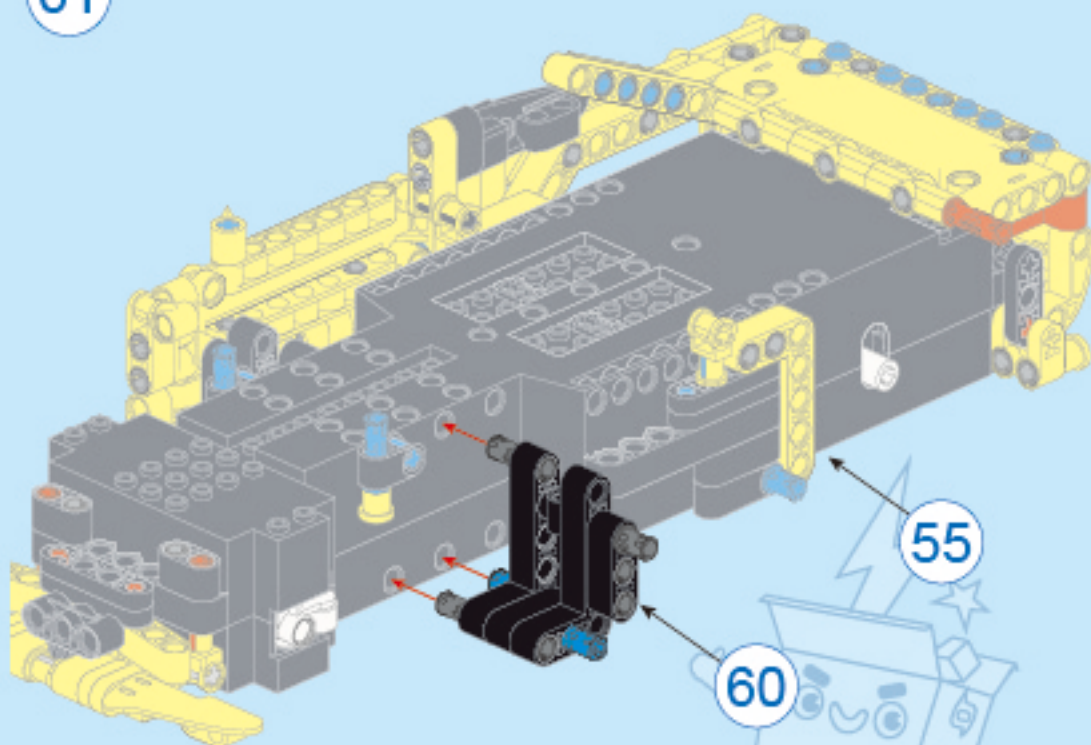
59



60



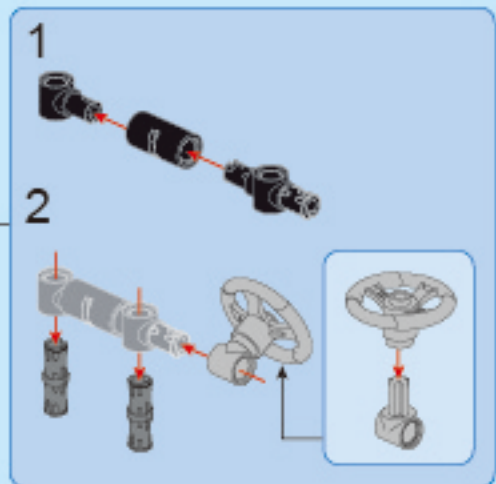
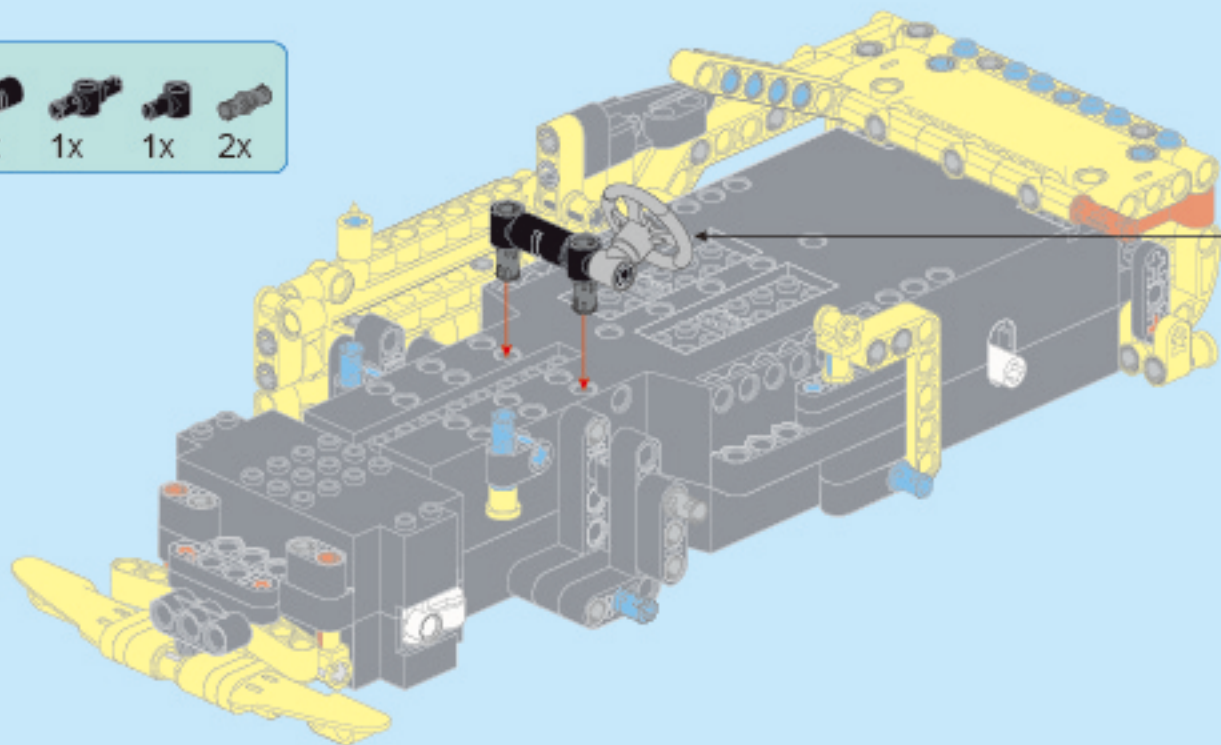
61



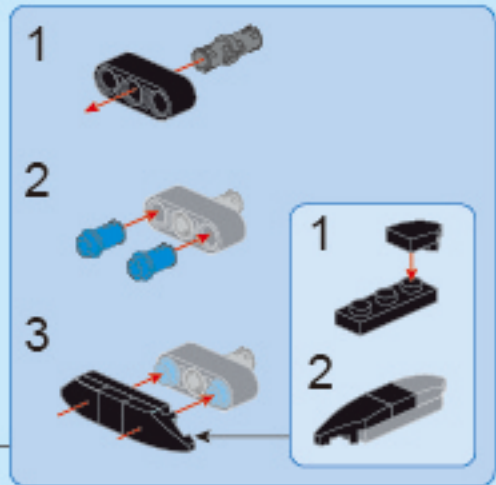
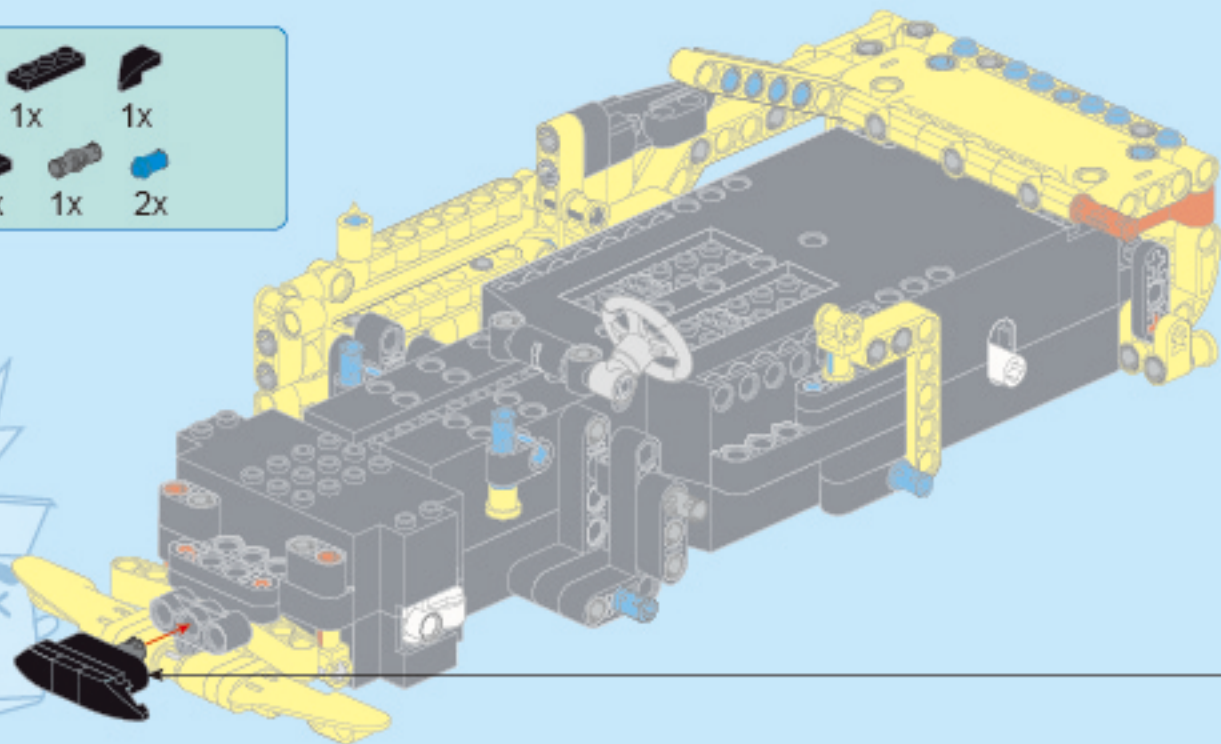
55

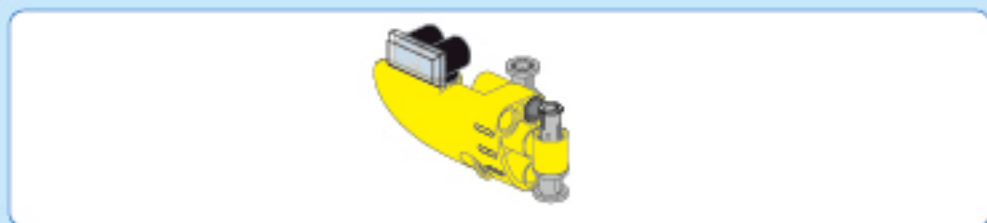
60

62



63





64

5

1x 1x 1x 1x 1x

1

2

+

+

✓

✗

Detailed assembly instructions for step 64. It shows a list of five yellow parts: a motor housing, a cap, a bush, a pin, and a connector. Below the list are two yellow Technic plates with holes. The first plate has a red checkmark, and the second has a red X. To the right, two numbered steps (1 and 2) show the assembly process. Step 1 shows a grey pin being inserted into a yellow connector. Step 2 shows the assembly being inserted into a hole in the yellow motor housing. A red arrow points from the motor housing to the assembly.

65

2x 2x

2x

66

1x 1x 1x

↻

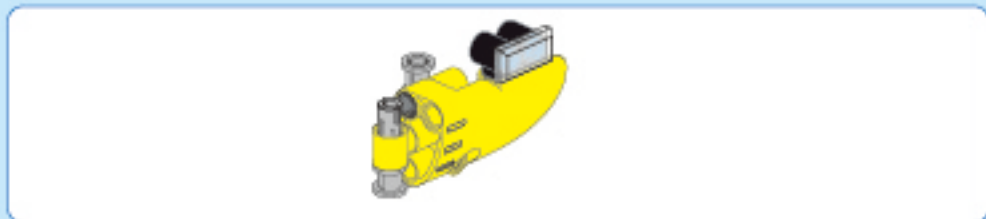
Detailed assembly instructions for steps 65 and 66. Step 65 shows two black pins and two blue pins. A separate box shows two black pins and one blue pin, with a red arrow pointing to the motor assembly. Step 66 shows a grey pin, a yellow cap, and a grey Technic brick. A circular arrow icon indicates a rotation. A separate box shows the yellow cap and grey pin assembly being inserted into a hole in the motor housing.

67

63

66

Detailed assembly instructions for step 67. It shows a large grey Technic structure with a yellow motor assembly being attached to the front. A circular inset shows a close-up of the motor assembly being inserted into a hole in the grey structure. A yellow Technic brick (63) is also shown being attached to the structure. A yellow Technic brick (66) is shown being attached to the motor assembly. A cartoon character with a lightning bolt and stars above its head is in the bottom right corner.



68

1x 1x 1x 1x 1x

6

1

2

69

2x 2x

2x

70

1x 1x 1x

71

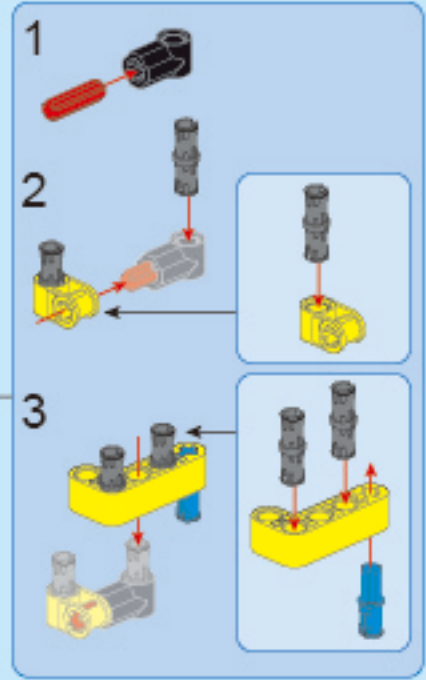
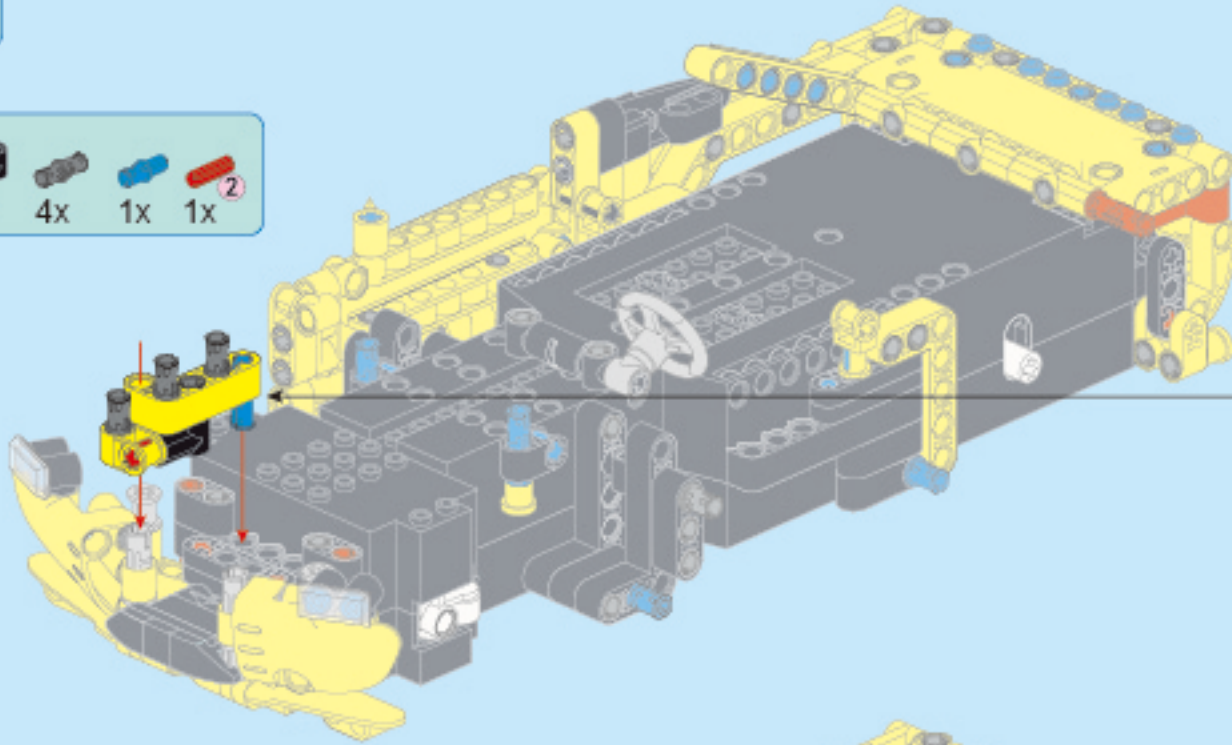
67

70






 ② 1:1

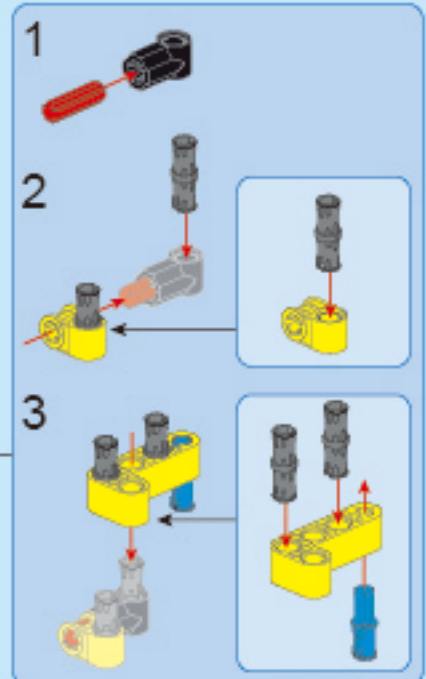
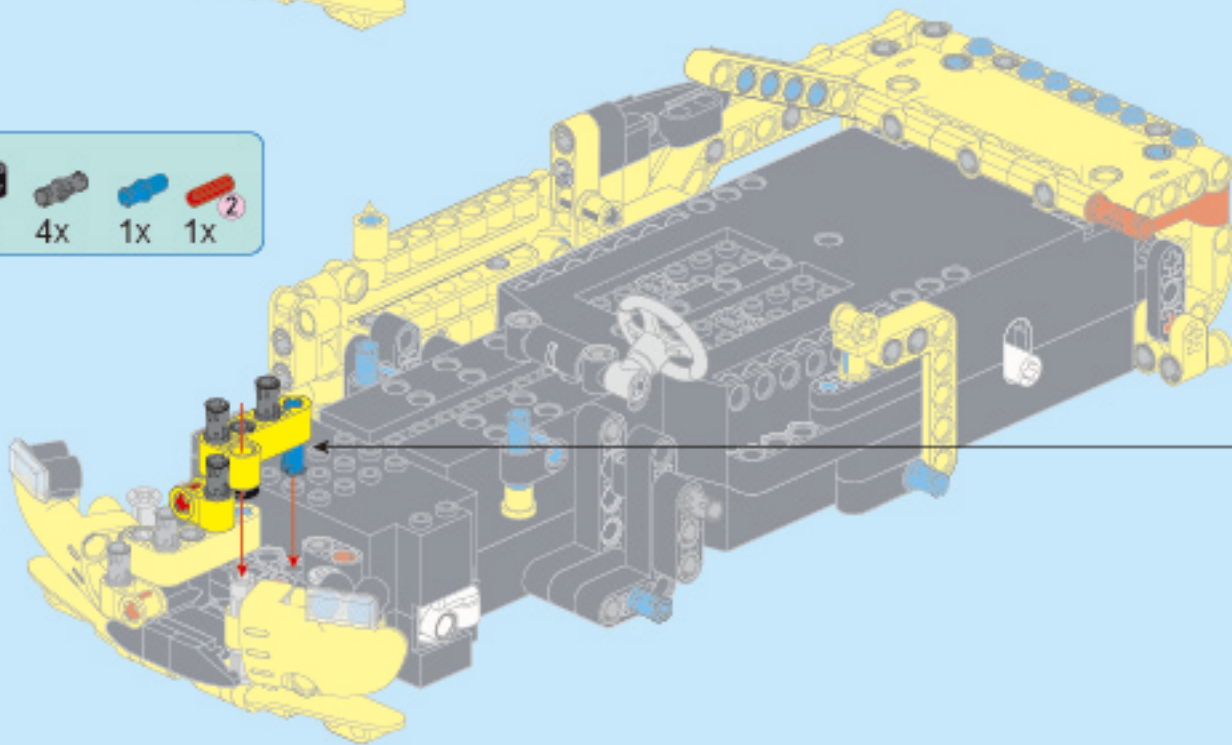
72

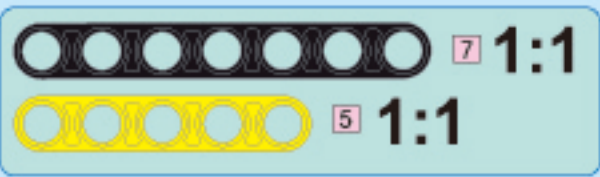
 1x  1x  1x  4x  1x  ② 1x



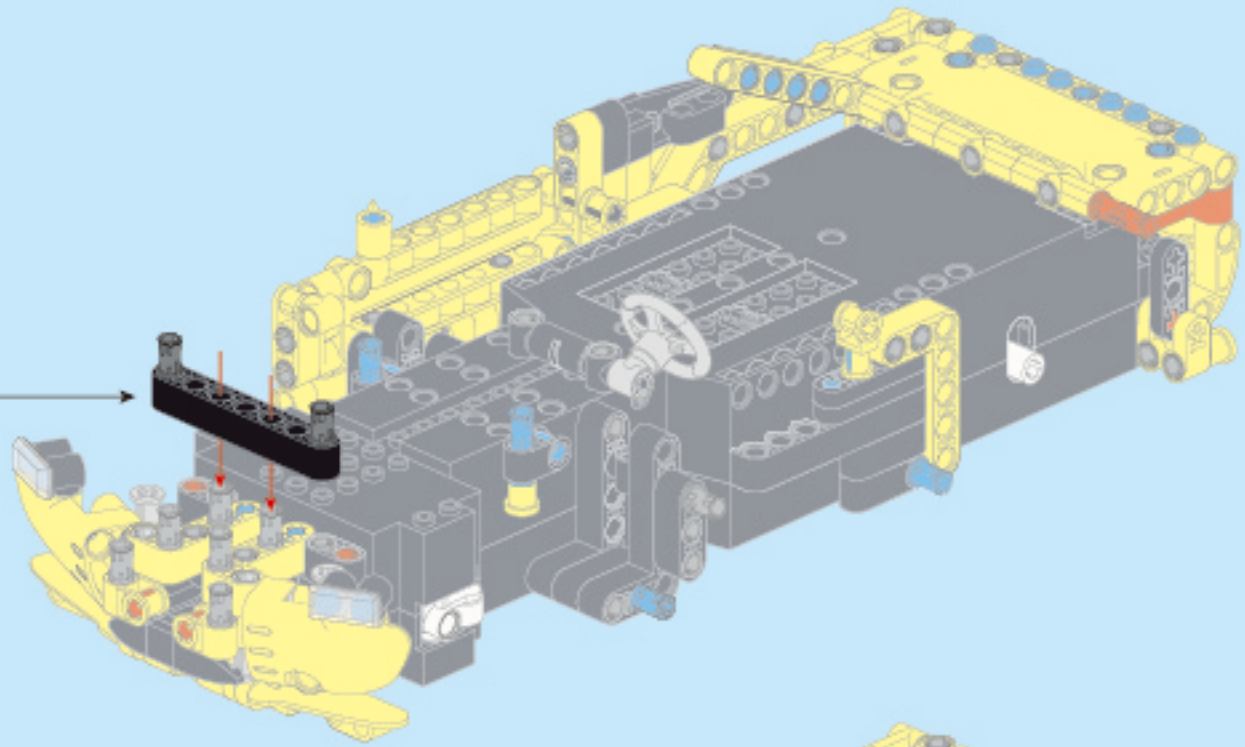
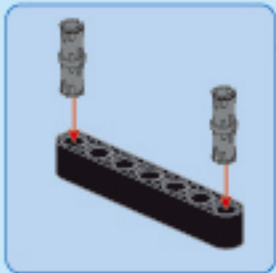
73

 1x  1x  1x  4x  1x  ② 1x

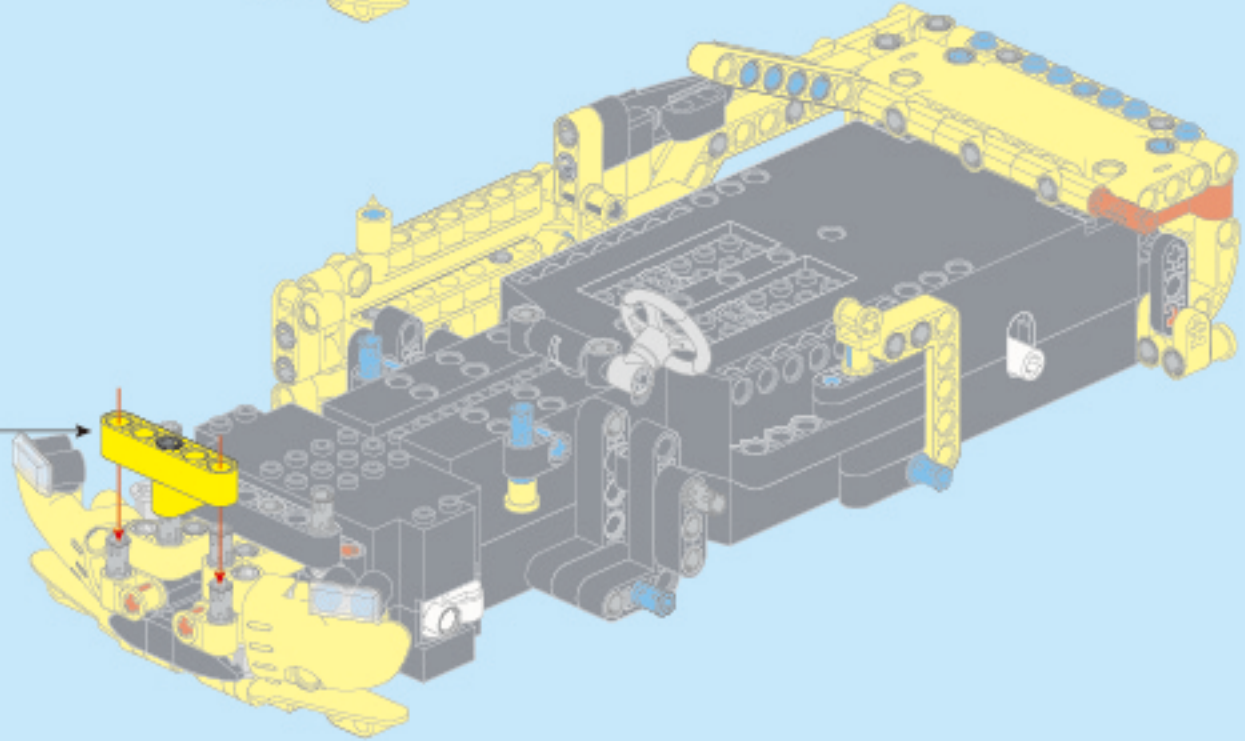




74




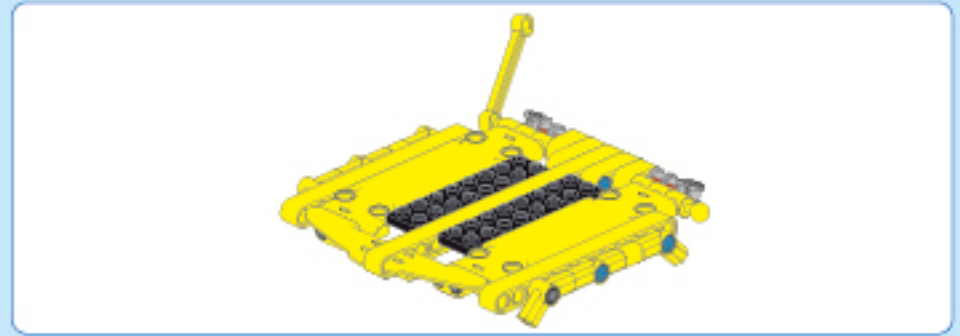
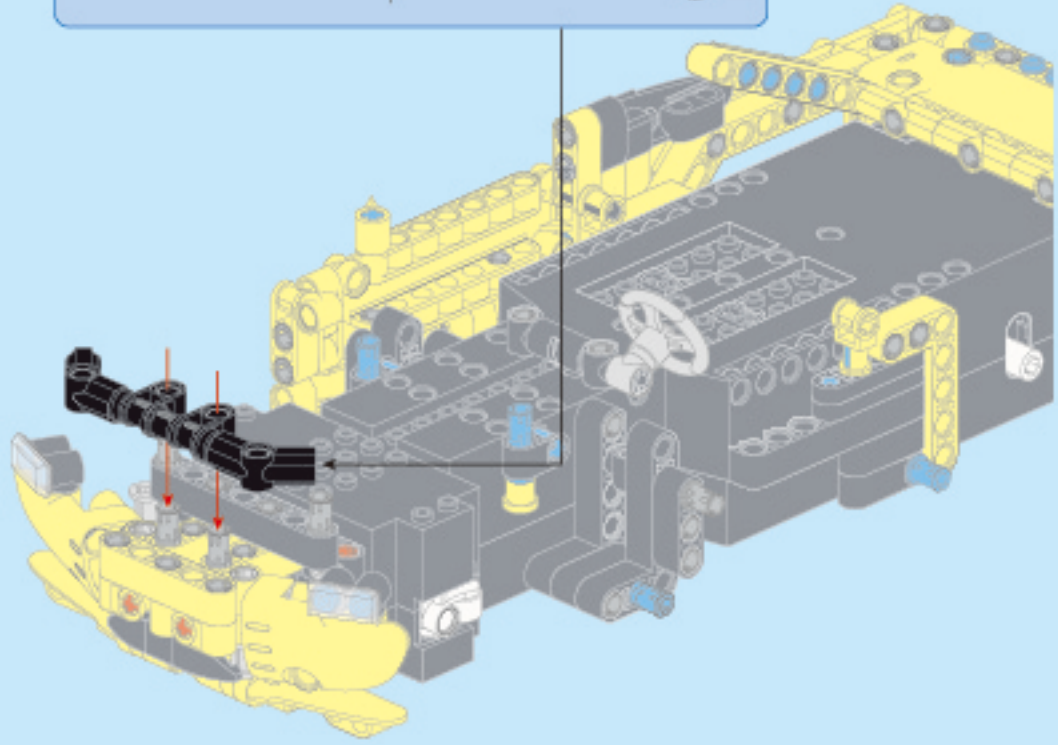
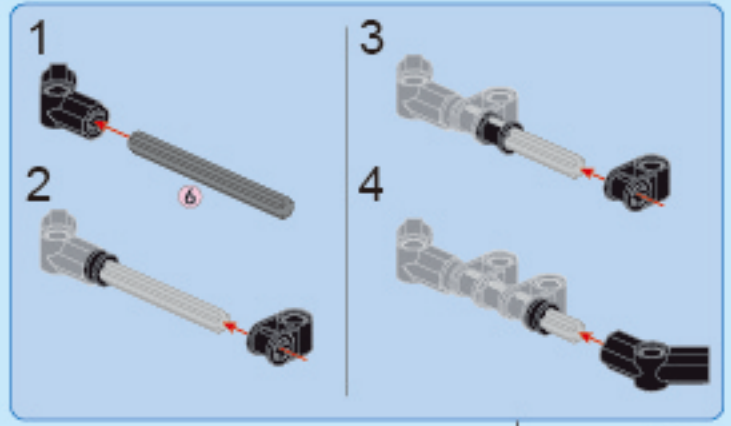
75




76

- 1x  6
- 2x  135°
- 2x 
- 1x 
- 2x 

 6 **1:1**

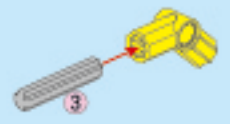


 3

 2 **1:1**

77

- 1x  135°
- 1x  3




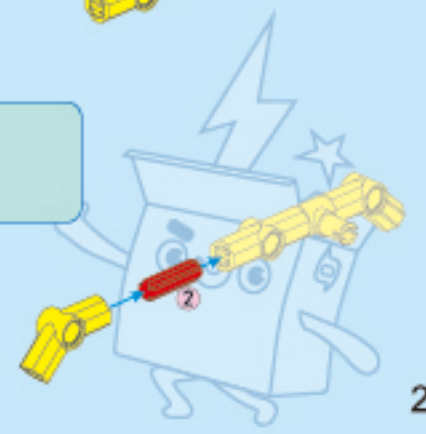
78

- 1x 
- 1x 



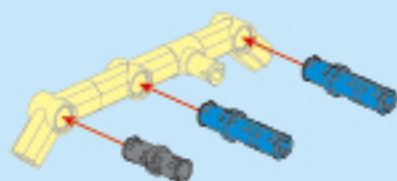
79

- 1x  135°
- 1x  2

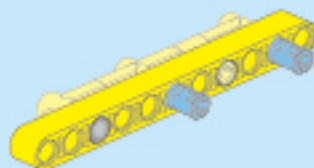
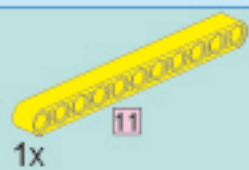




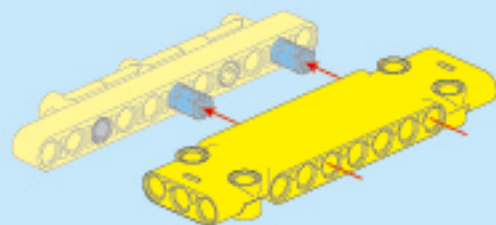
80



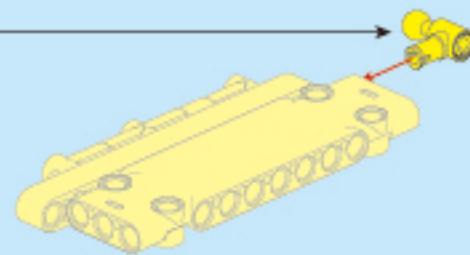
81



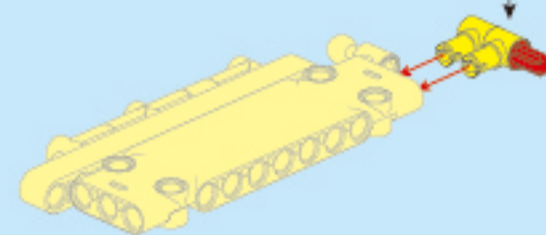
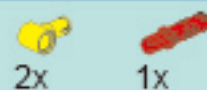
82

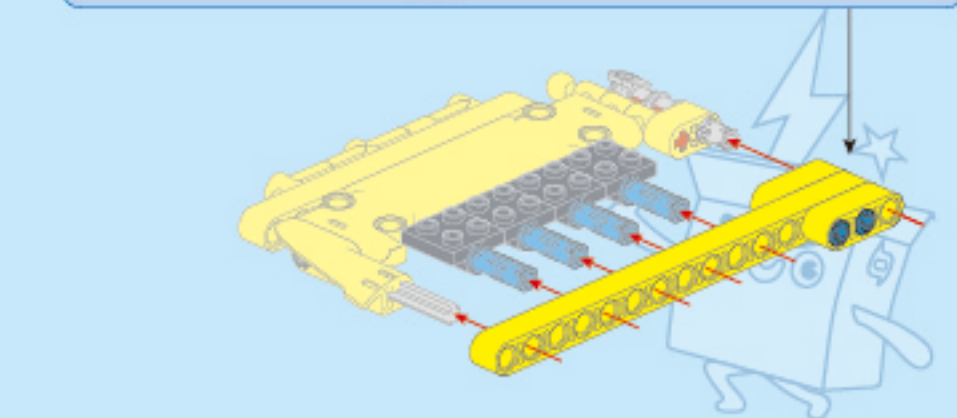
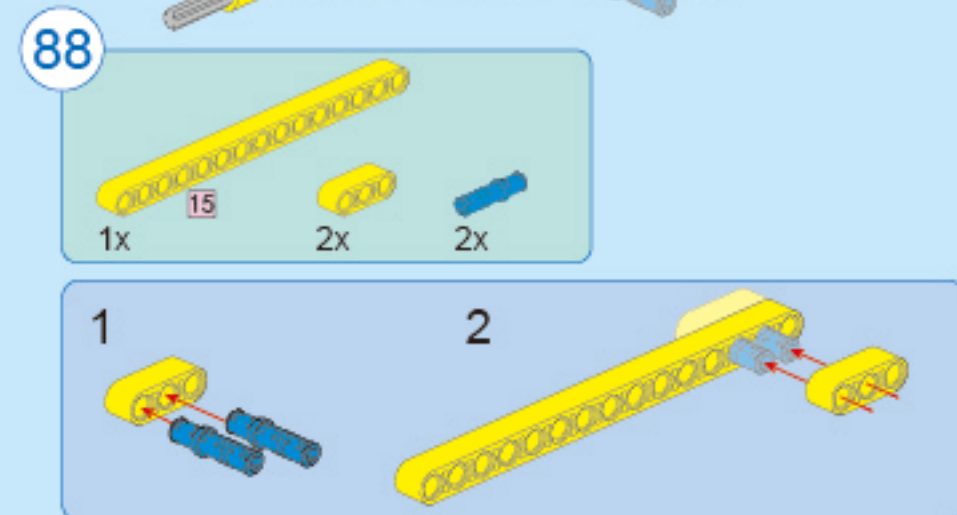
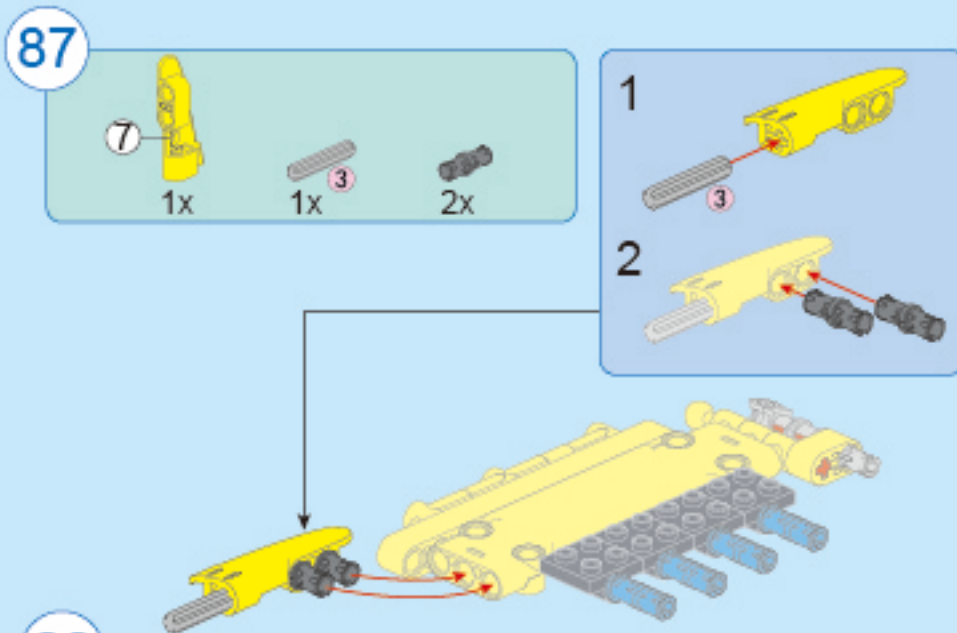
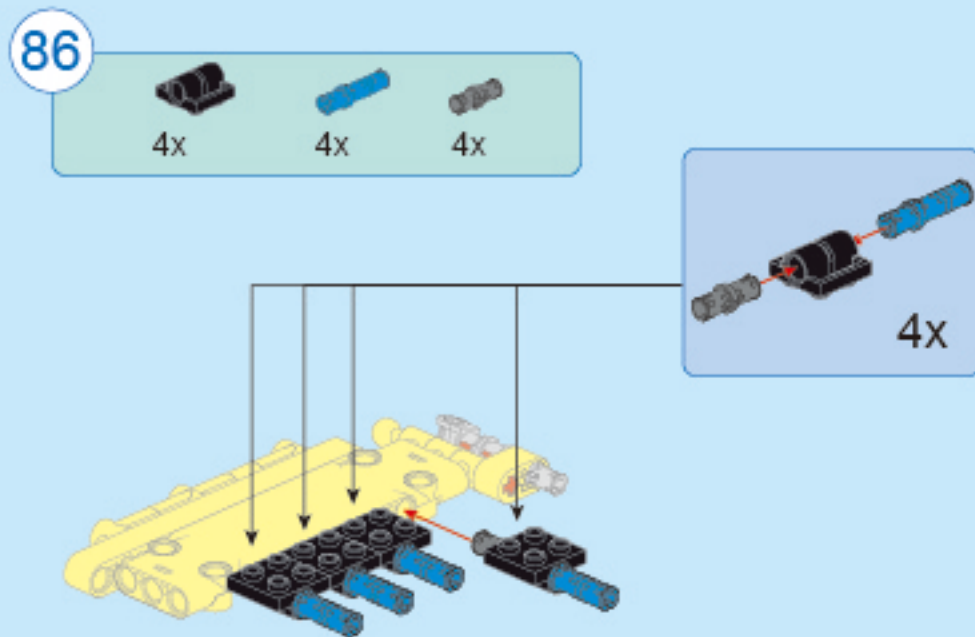
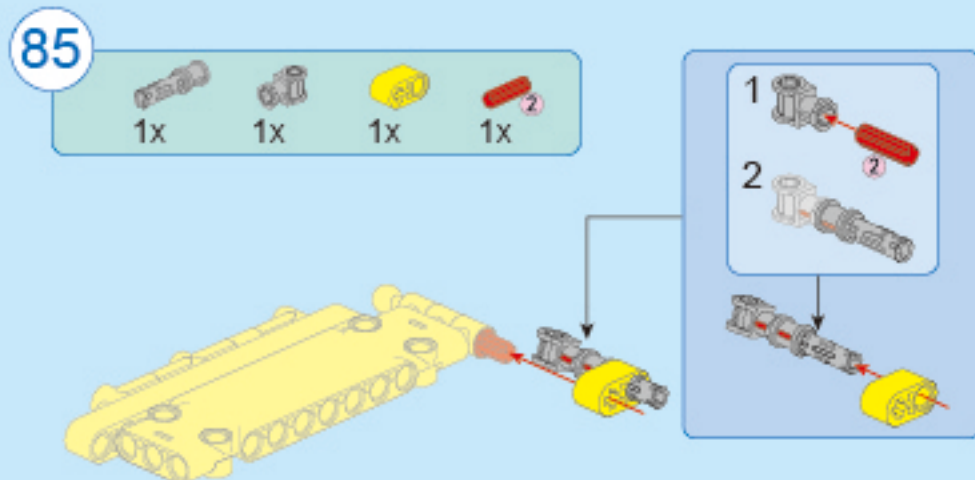


83



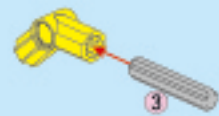
84



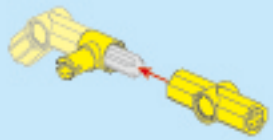




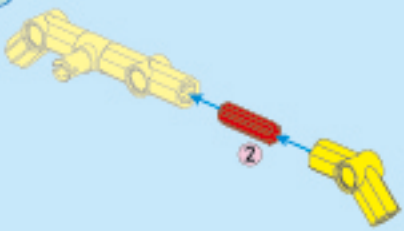
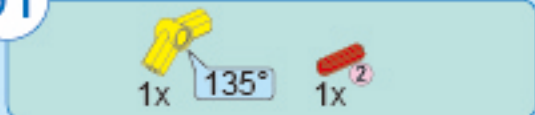
89



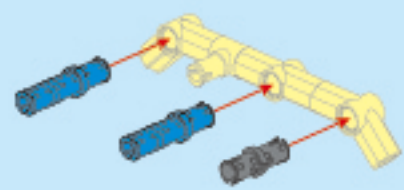
90



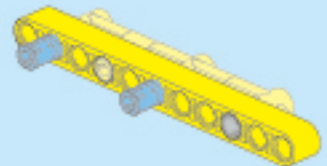
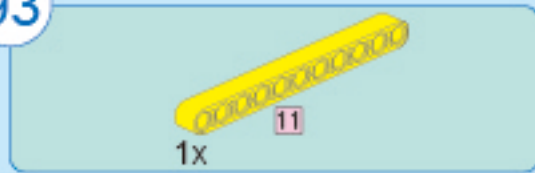
91



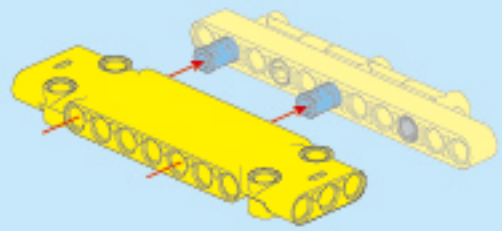
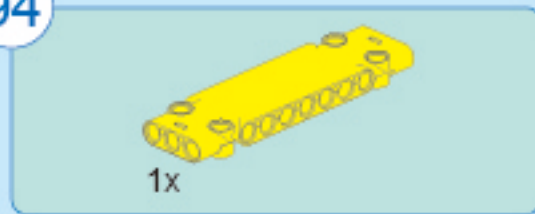
92



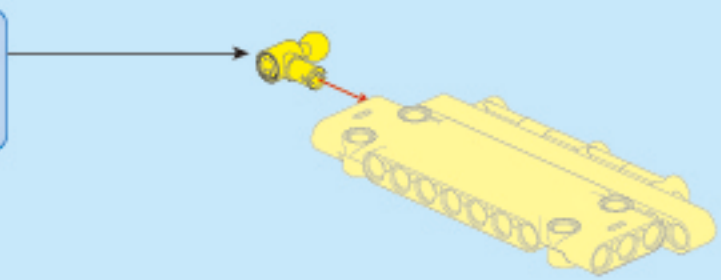
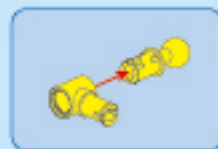
93



94



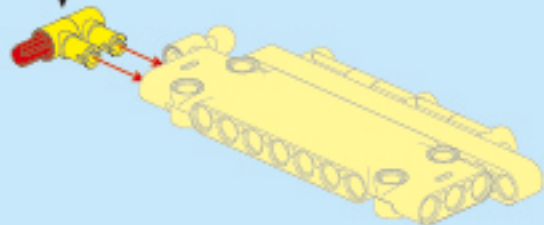
95



96

2x

1x



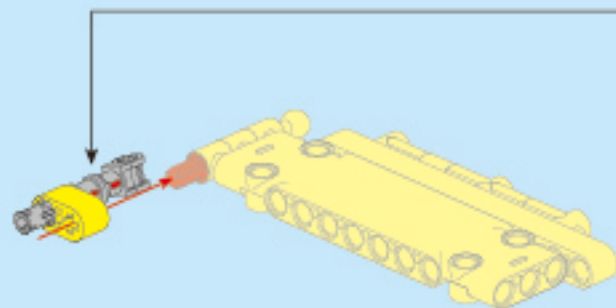
97

1x

1x

1x

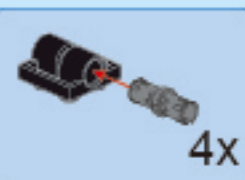
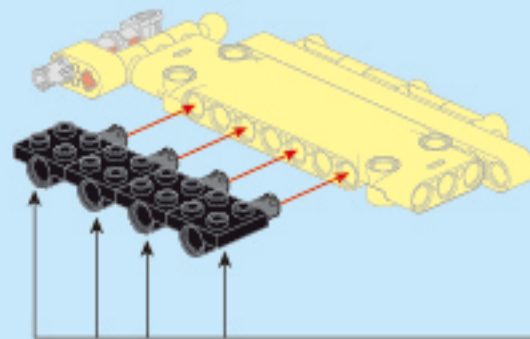
1x

 2 **1:1**


98

4x

4x

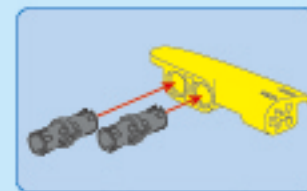
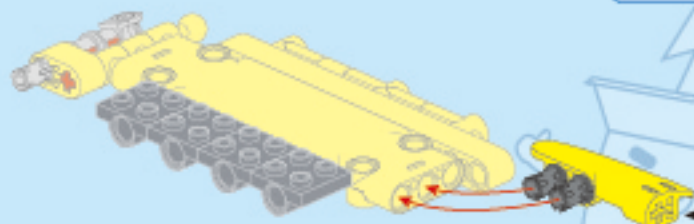


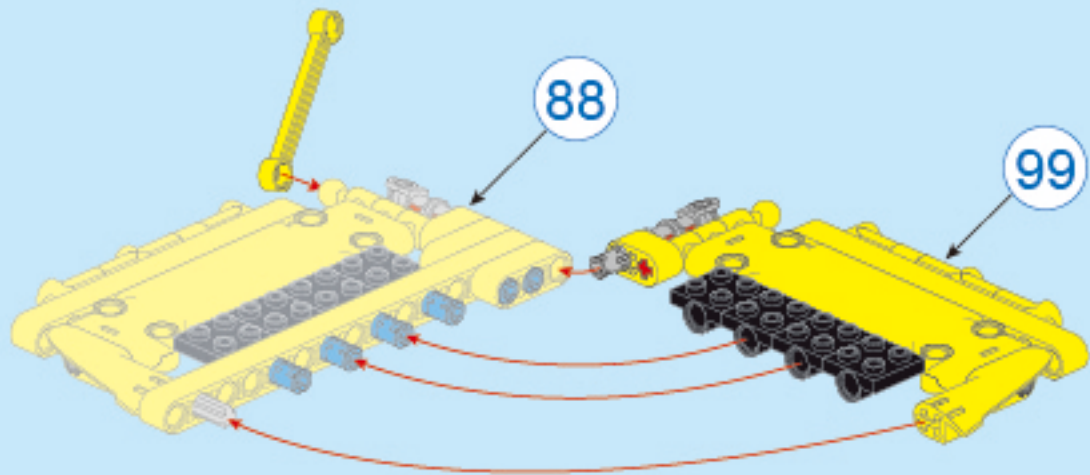
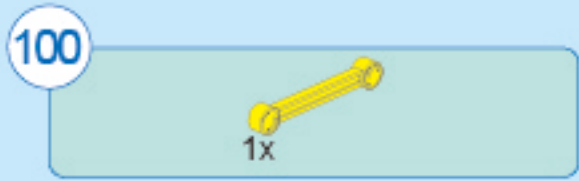
99

1x

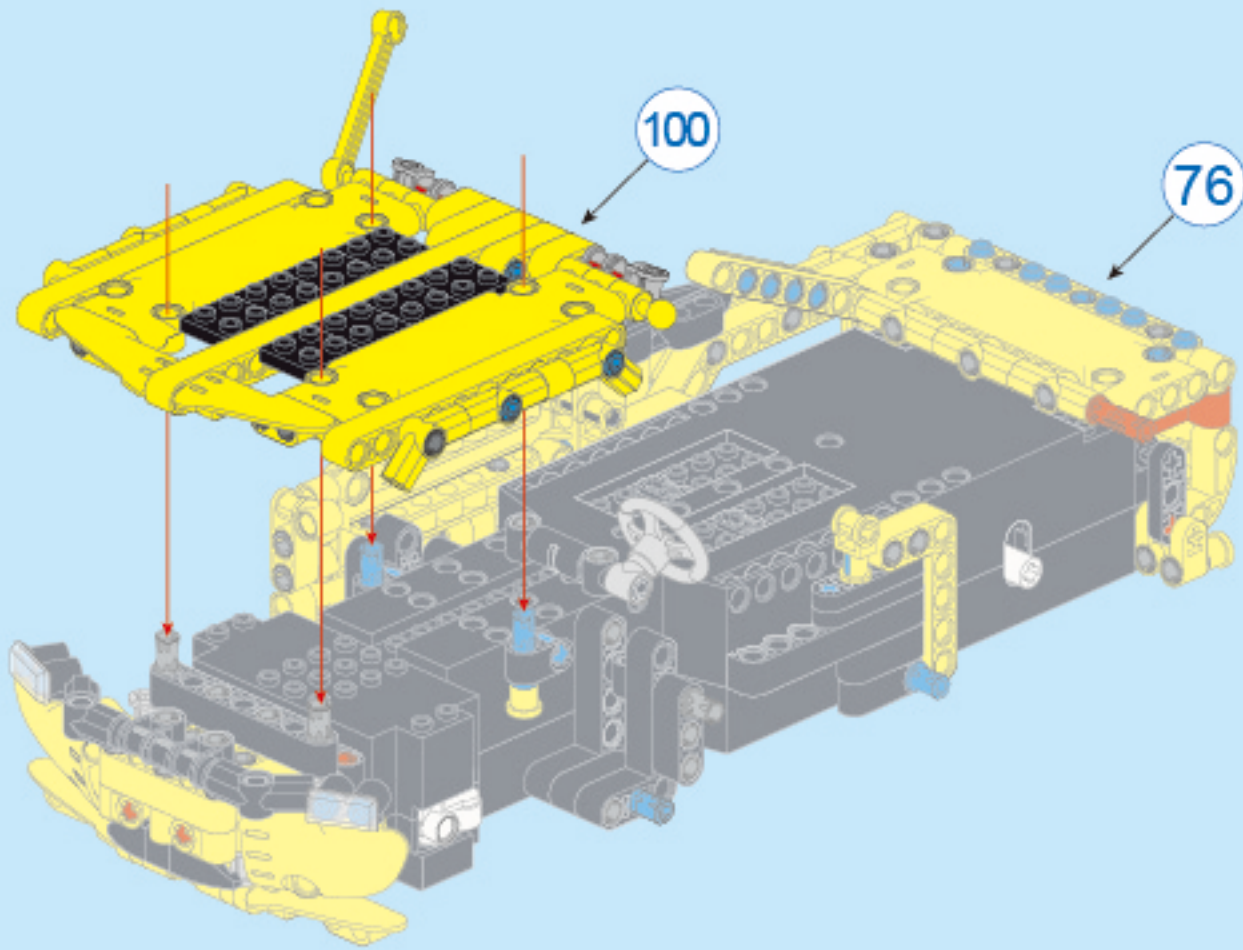
8

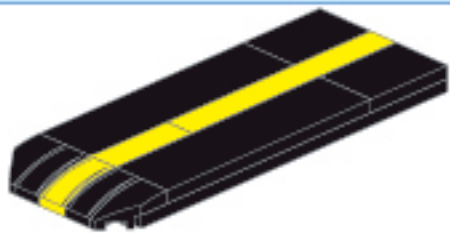
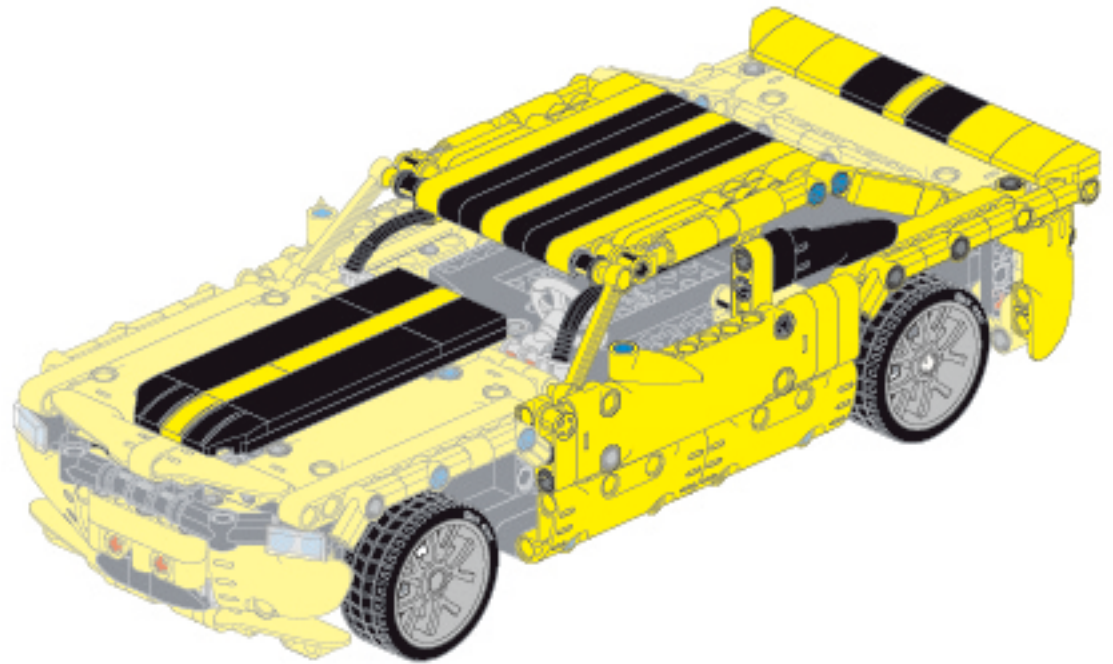
2x



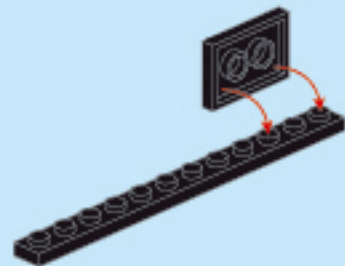


101

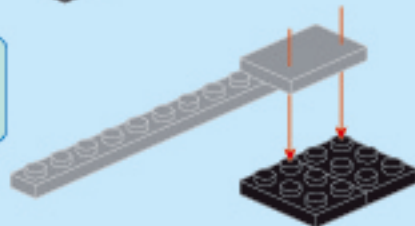




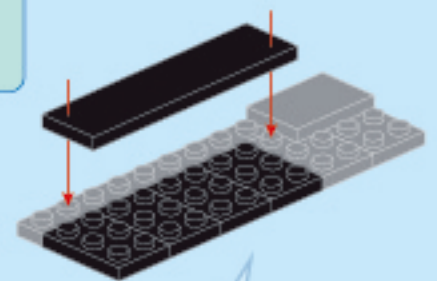
102



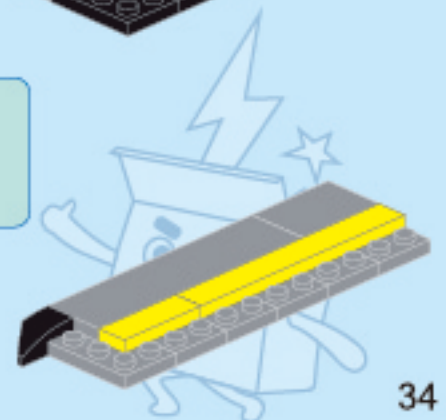
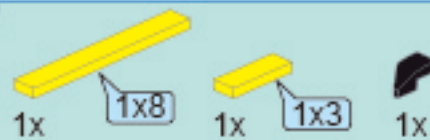
103



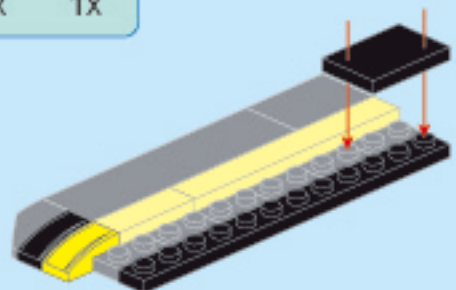
104



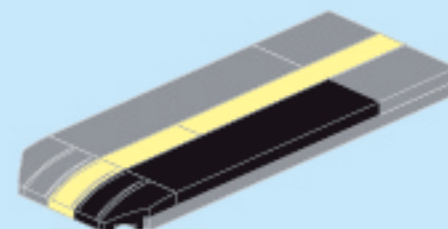
105



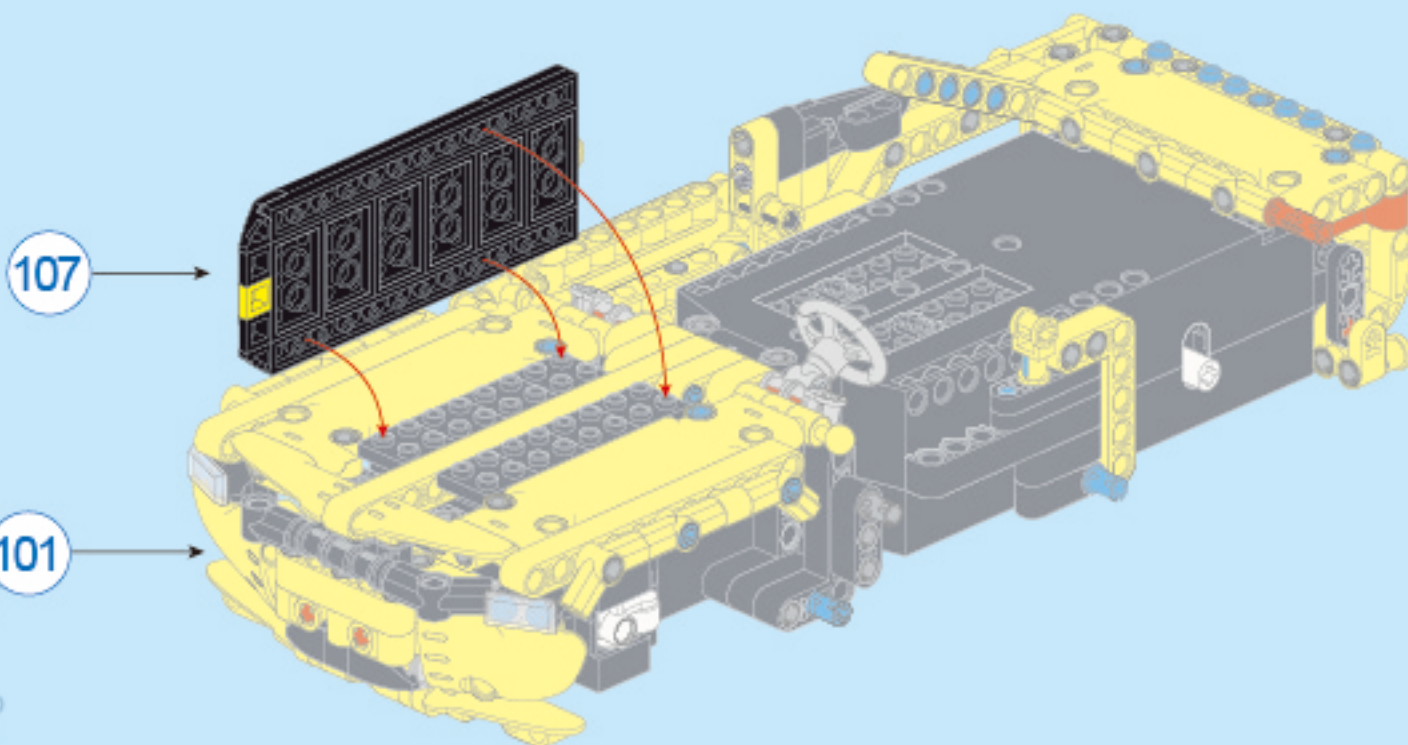
106



107

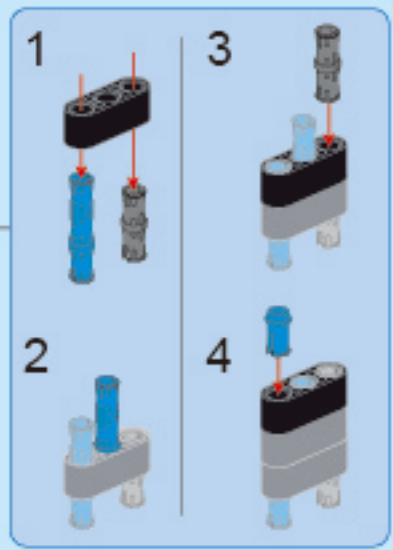
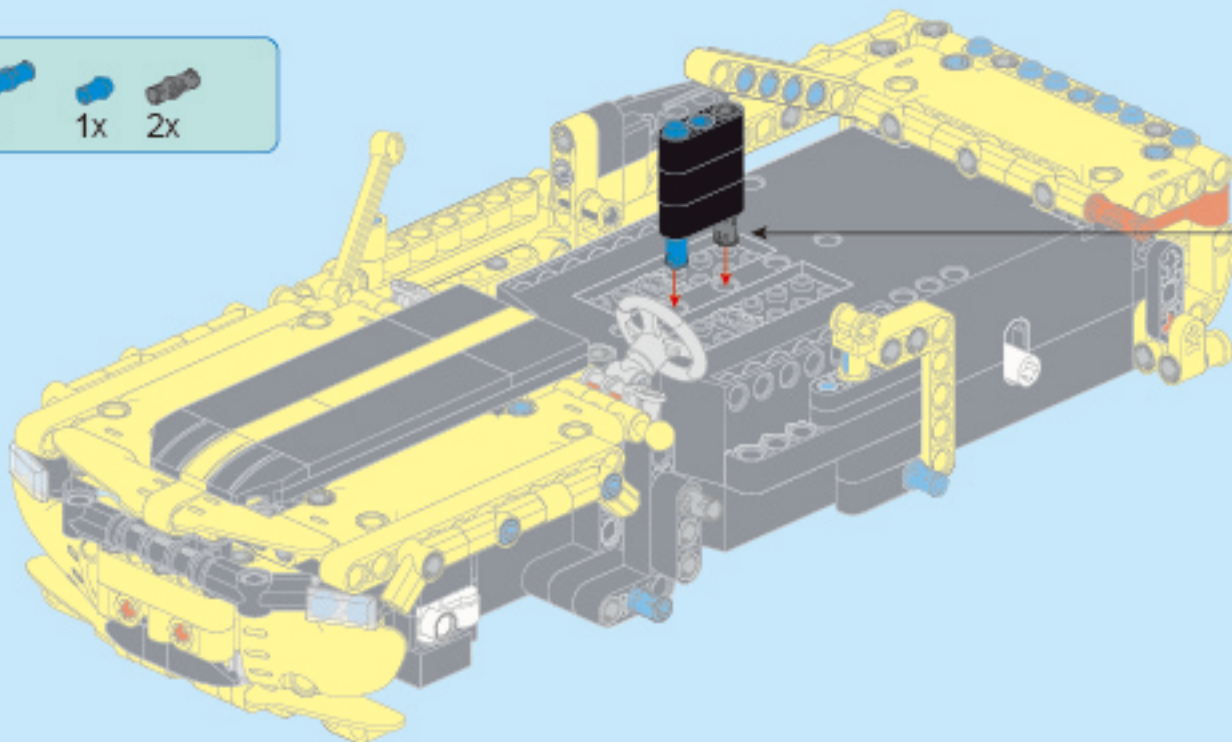


108



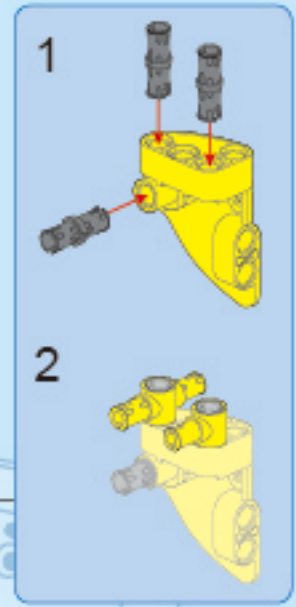
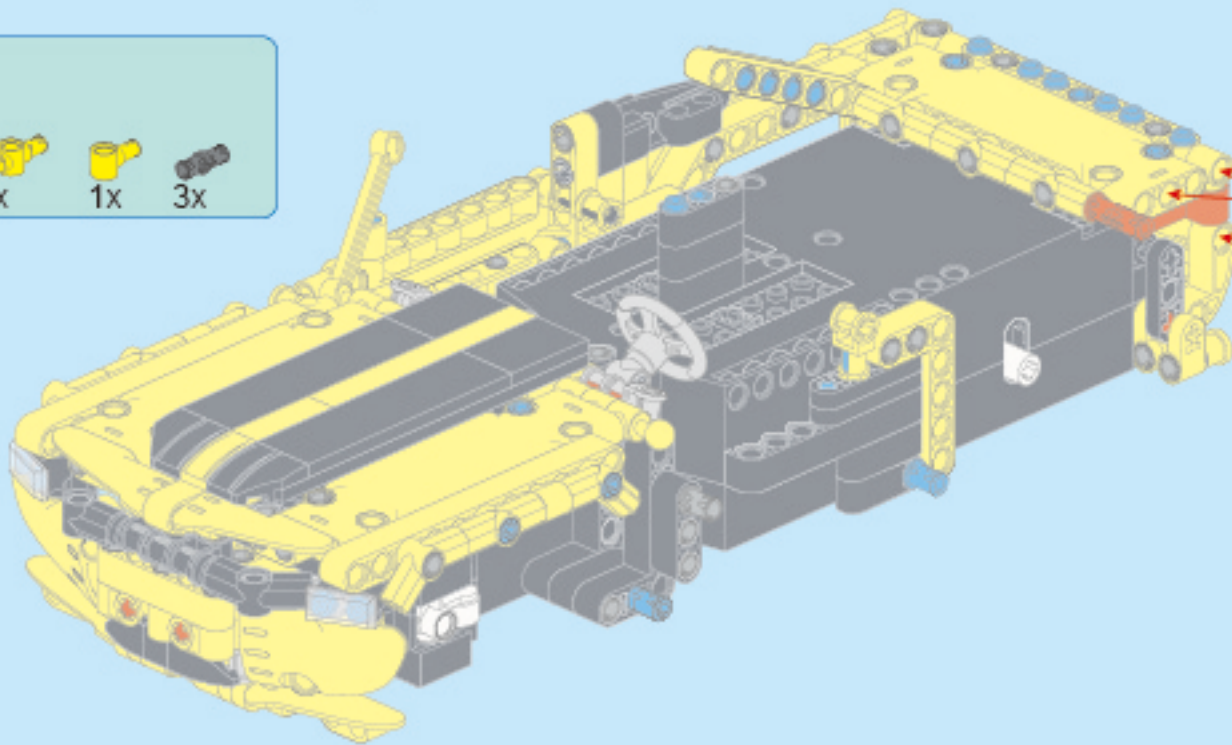
109

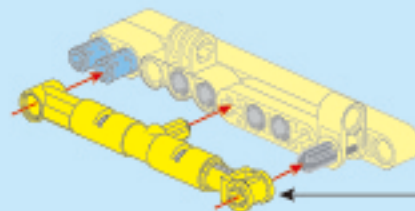
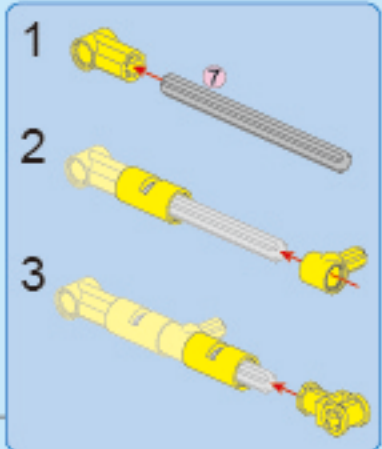
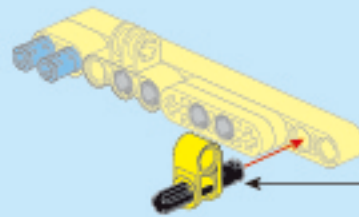
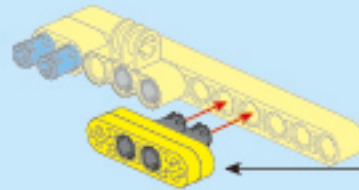
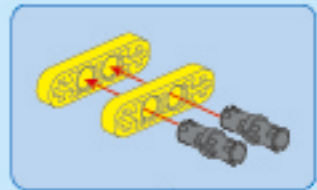
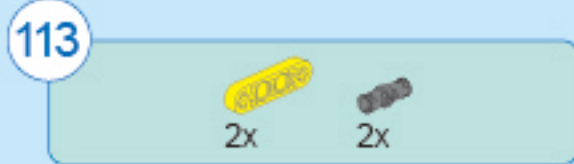
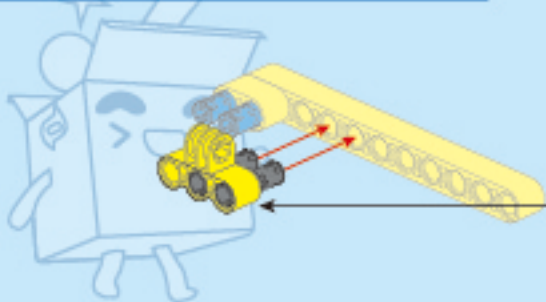
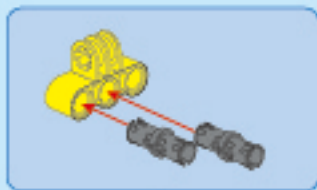
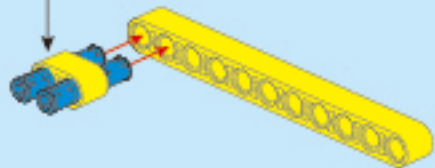
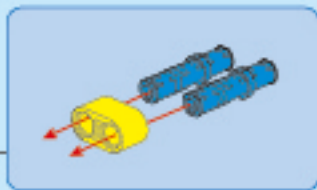
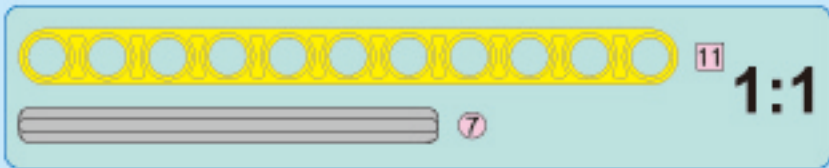
- 3x [Black 3-hole Technic Brick]
- 2x [Blue Technic Pin]
- 1x [Blue Technic Pin]
- 2x [Grey Technic Pin]

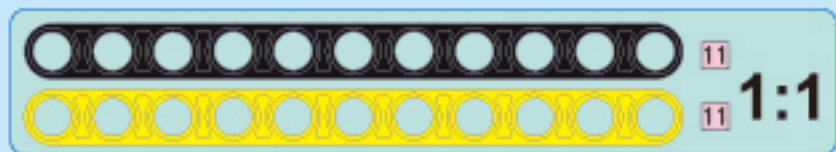


110

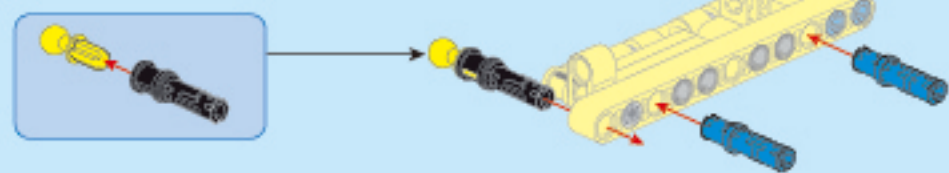
- 5 [Yellow Technic Connector]
- 1x [Yellow Technic Connector]
- 1x [Yellow Technic Connector]
- 3x [Grey Technic Pin]



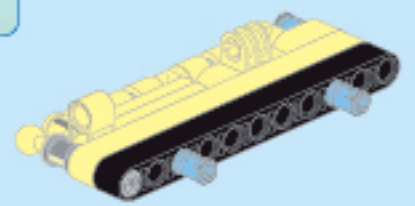
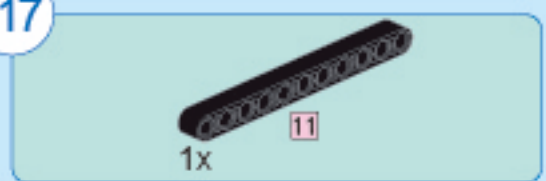




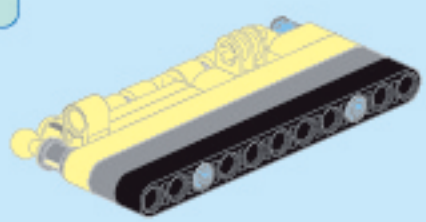
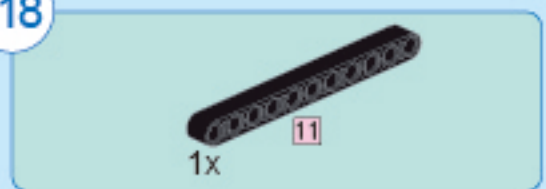
116



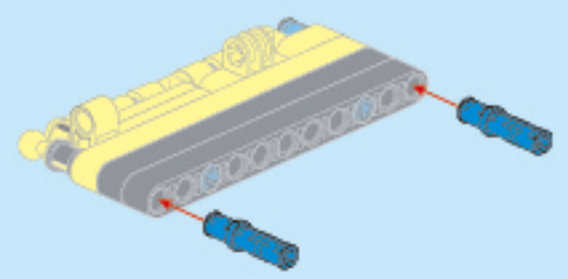
117



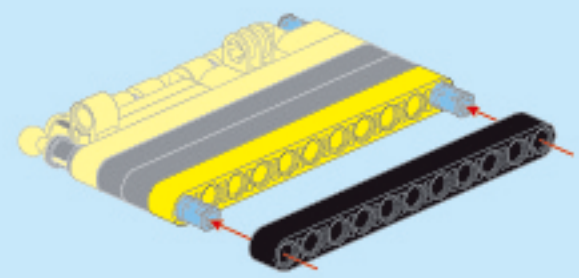
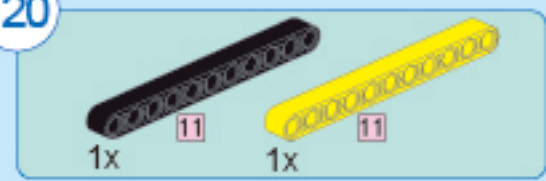
118



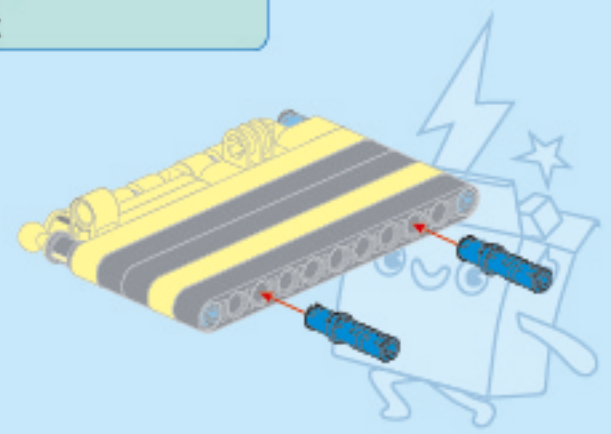
119

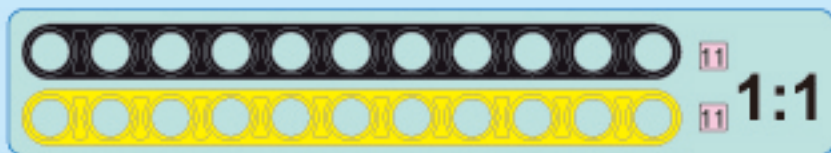


120

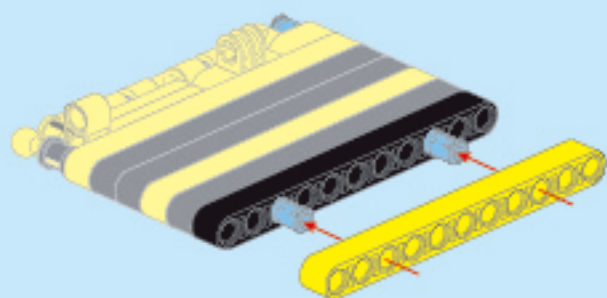
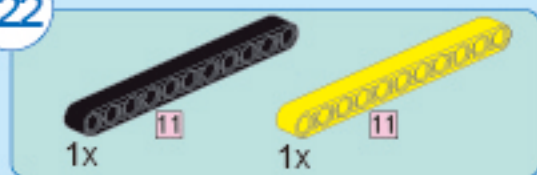


121

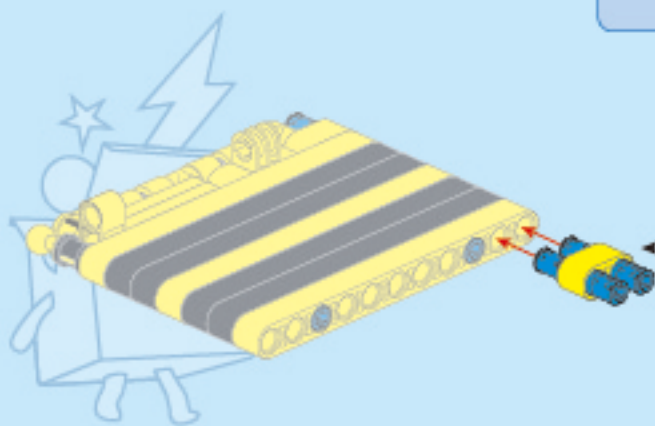
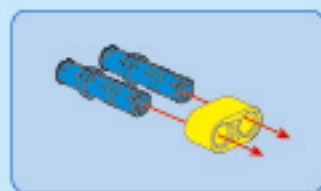




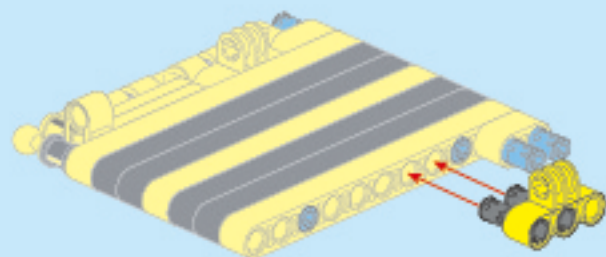
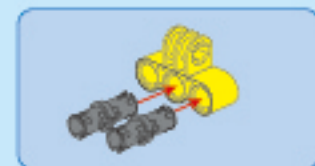
122



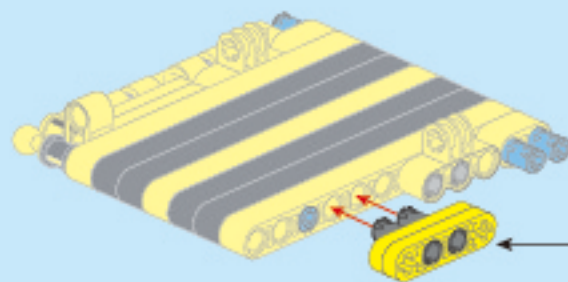
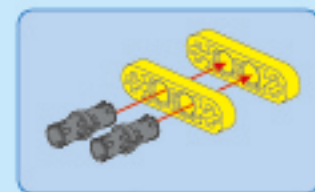
123



124

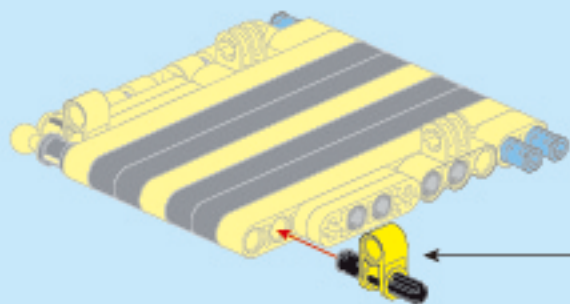
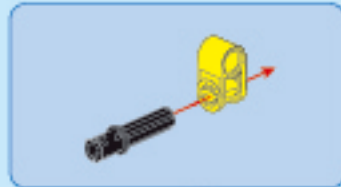


125



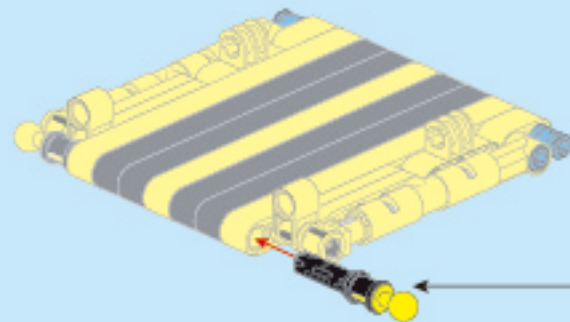
126

1x 1x



128

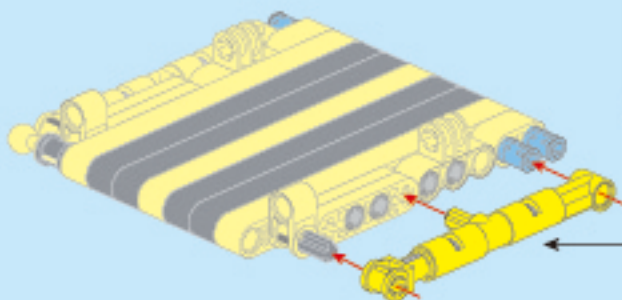
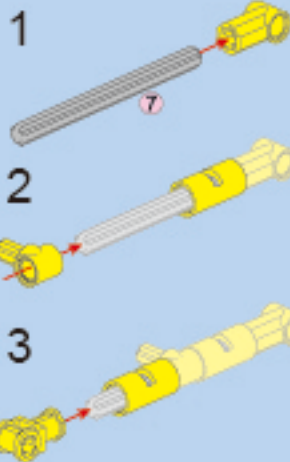
1x 1x



127

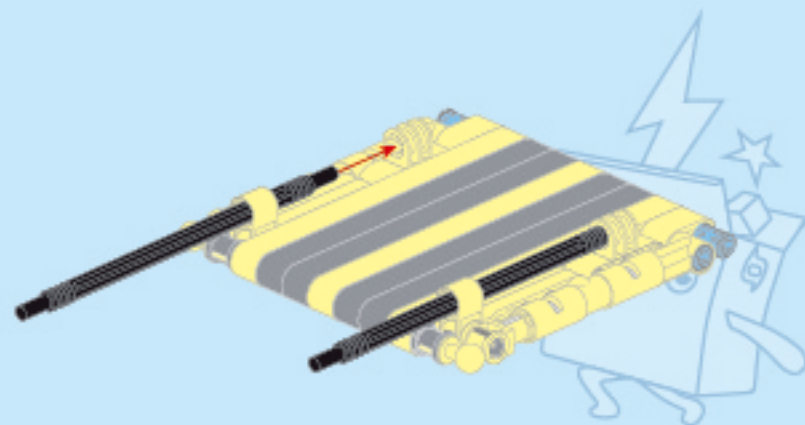
1x 1x 1x 2x 1x

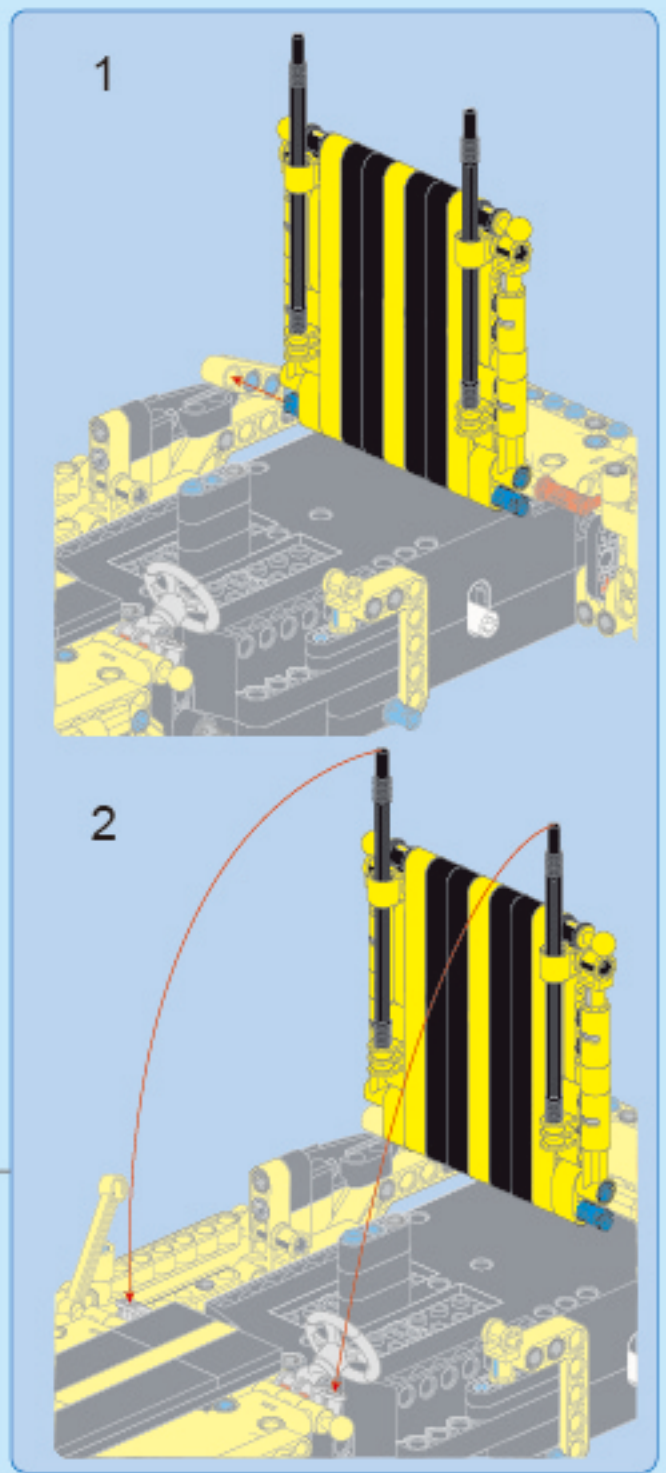
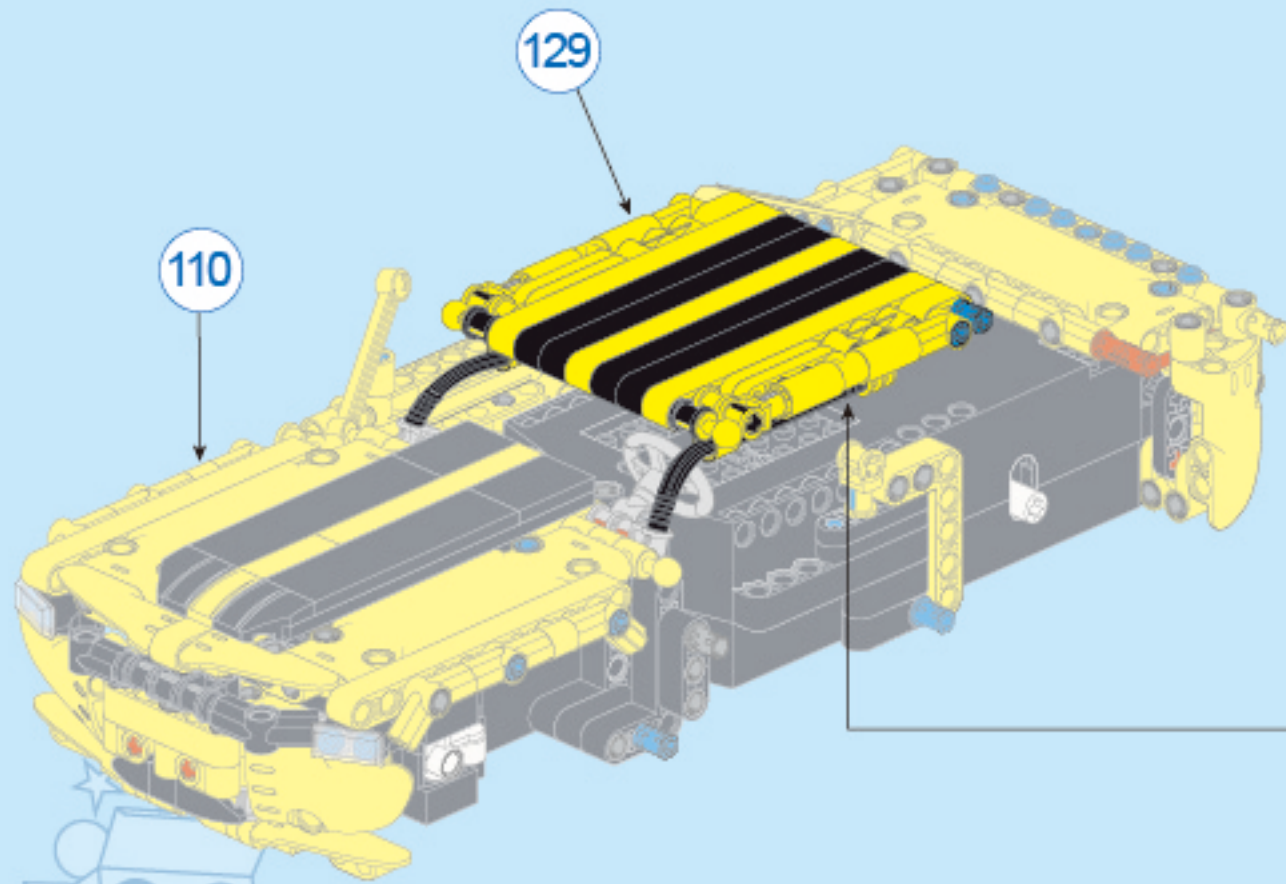
1:1



129

2x

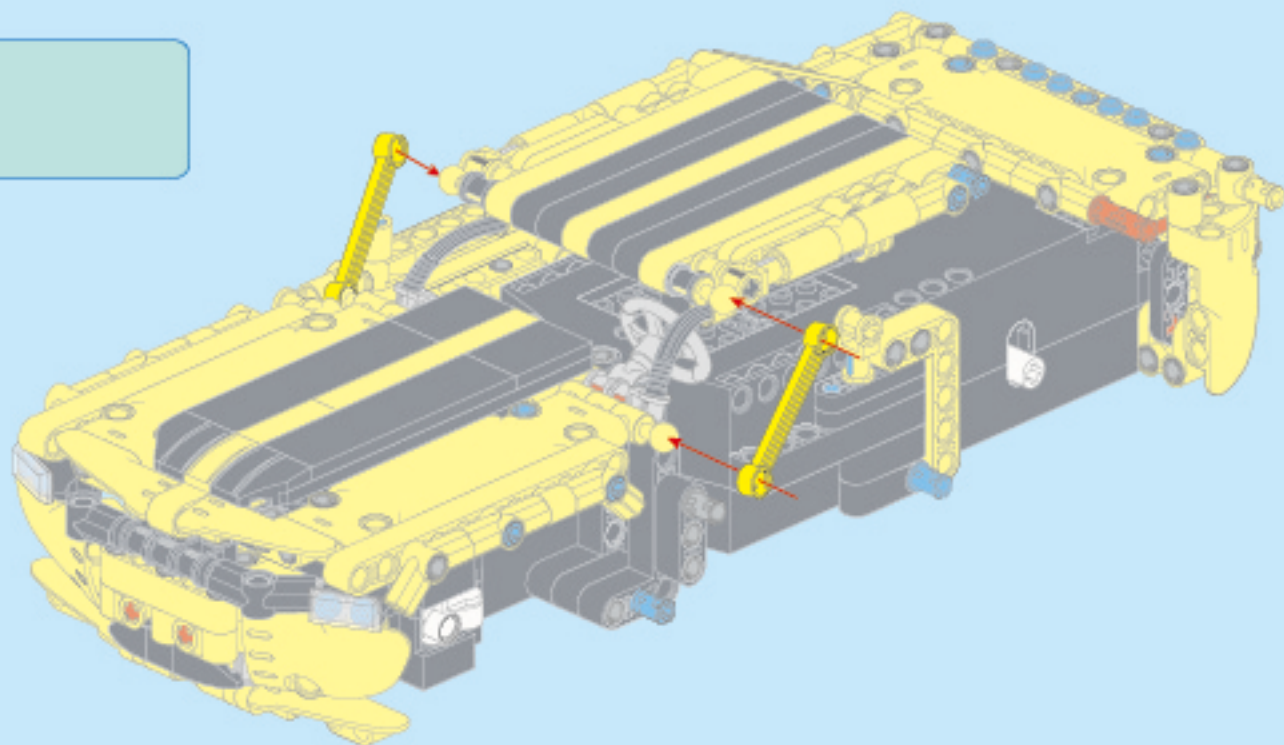




131



1x



132



1x

7



1x

1x3



1x

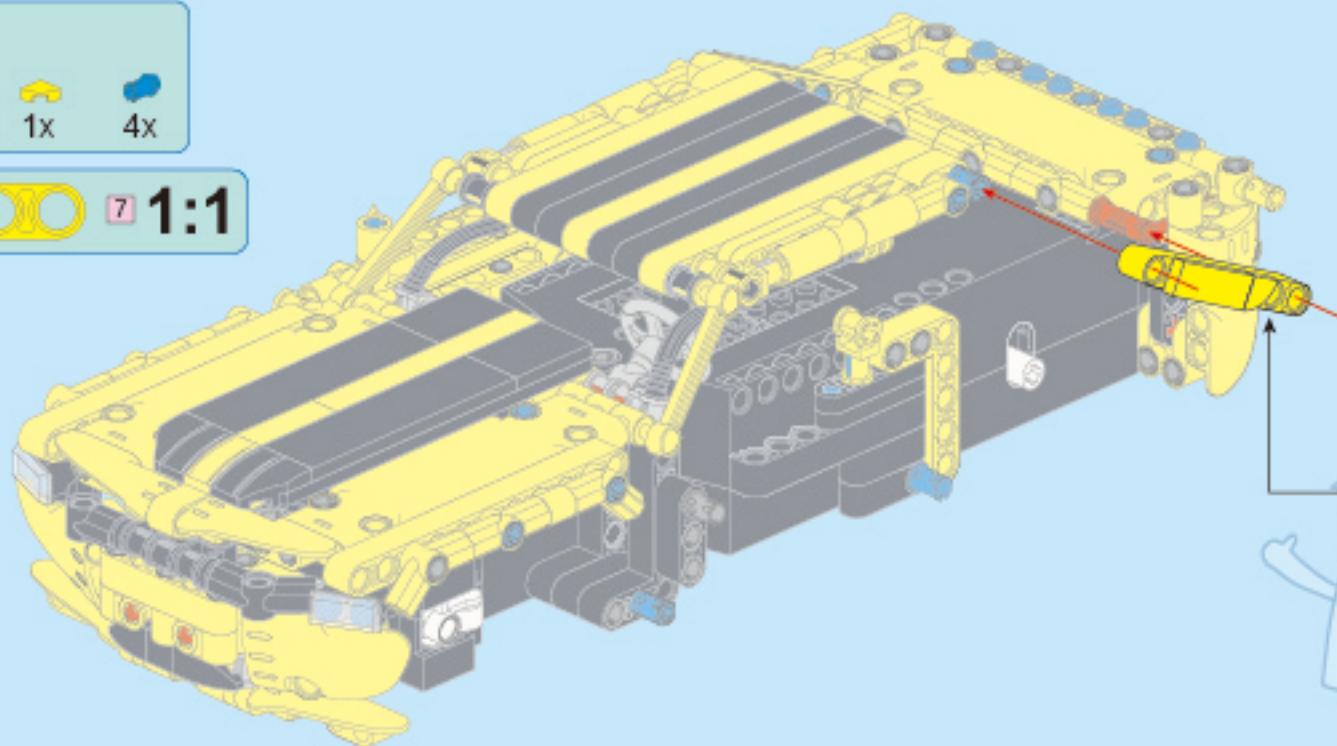


4x

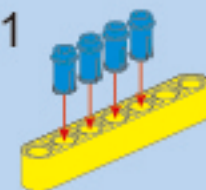


7

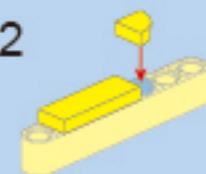
1:1



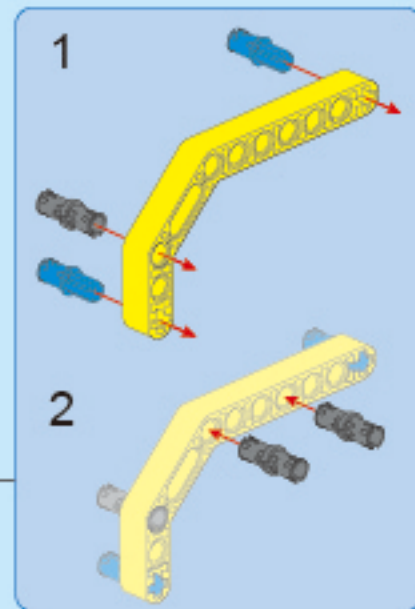
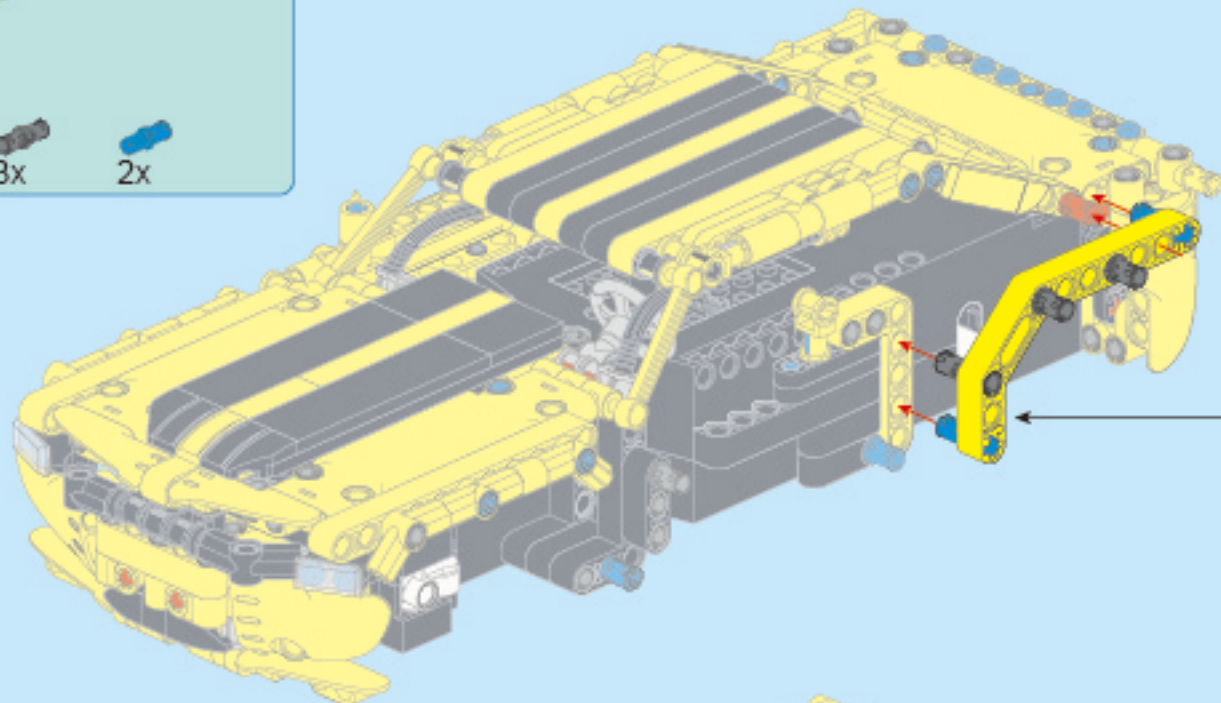
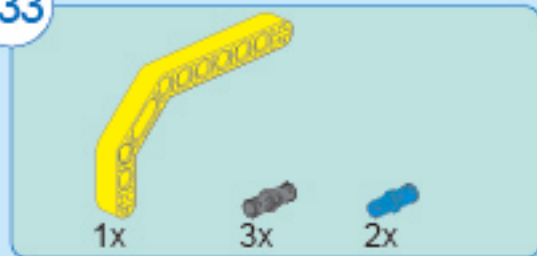
1



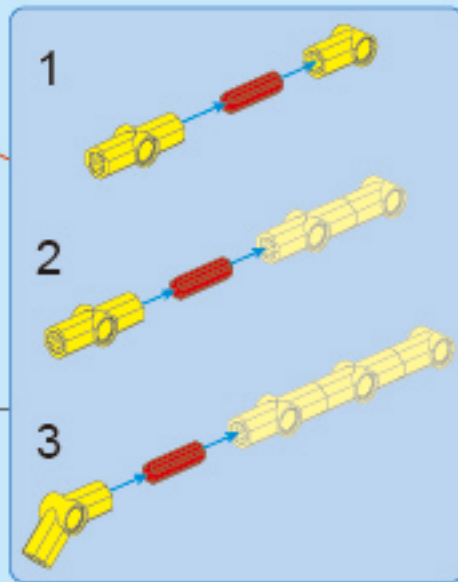
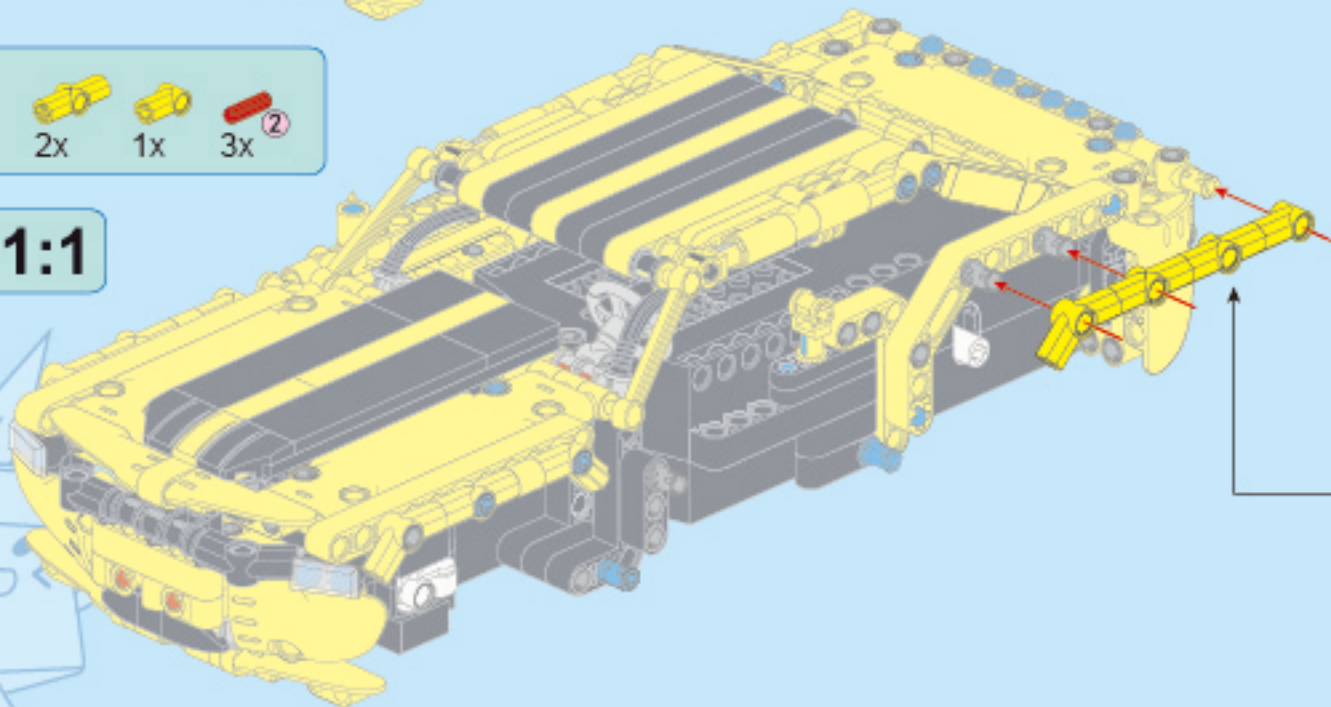
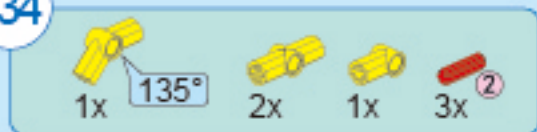
2

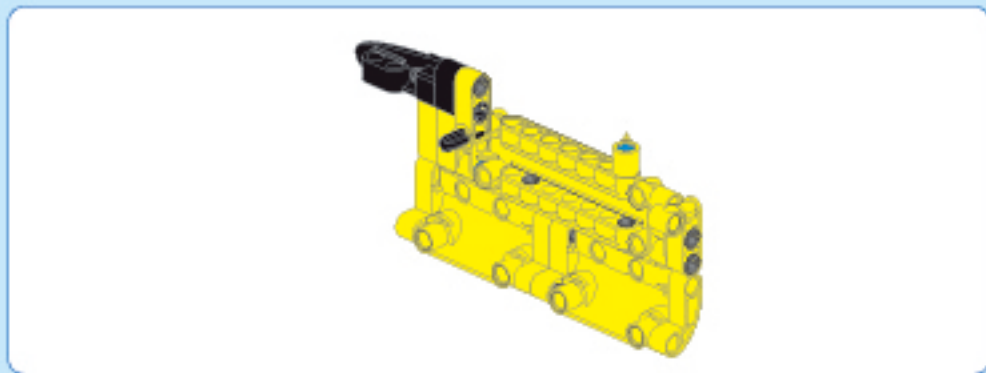


133

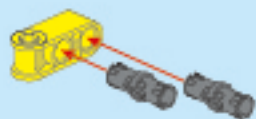


134

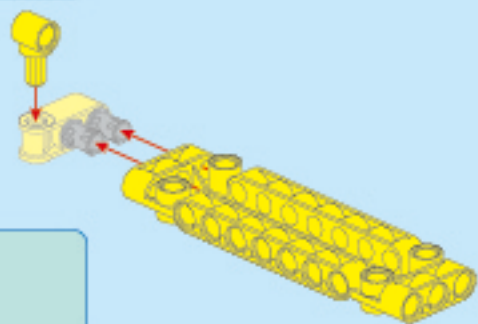




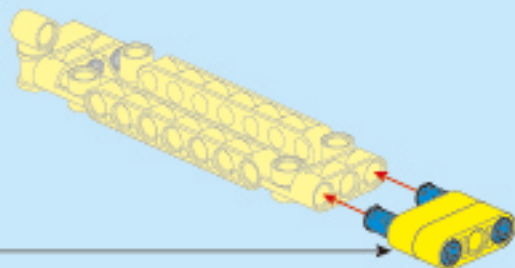
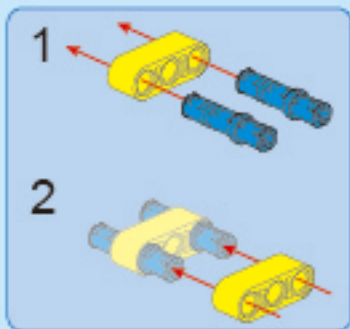
135



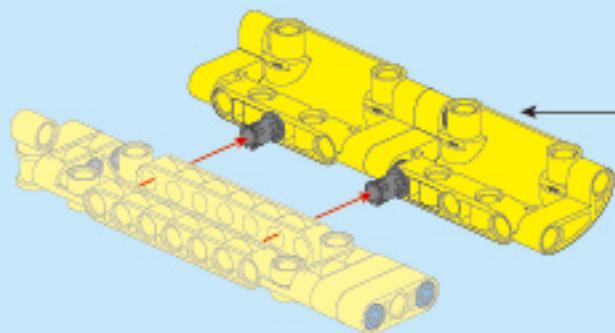
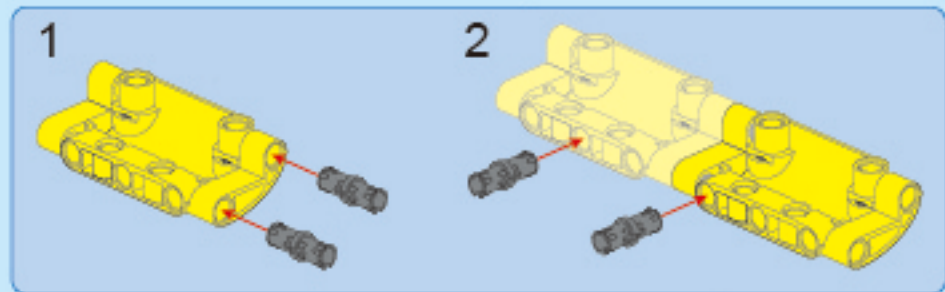
136



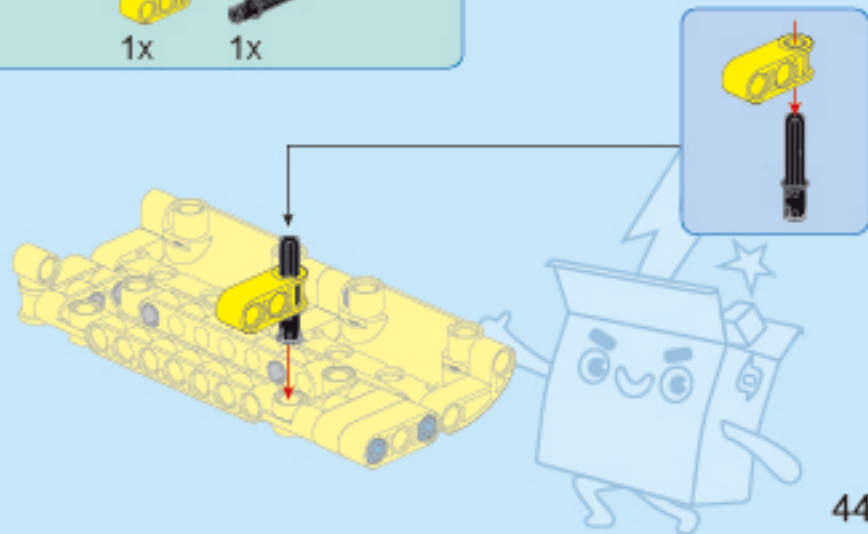
137



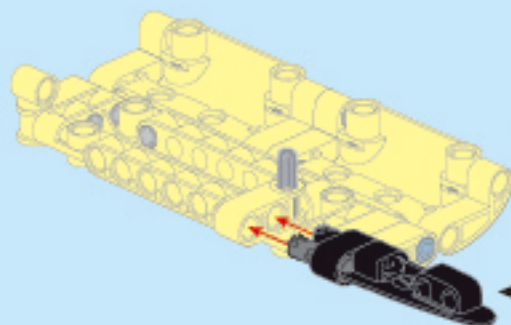
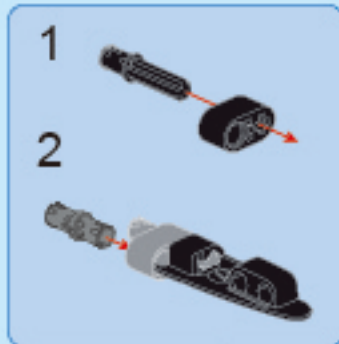
138



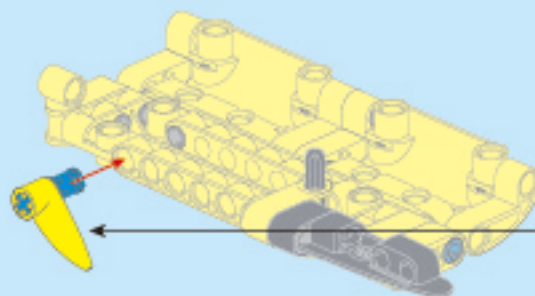
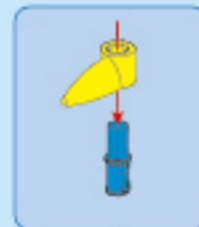
139



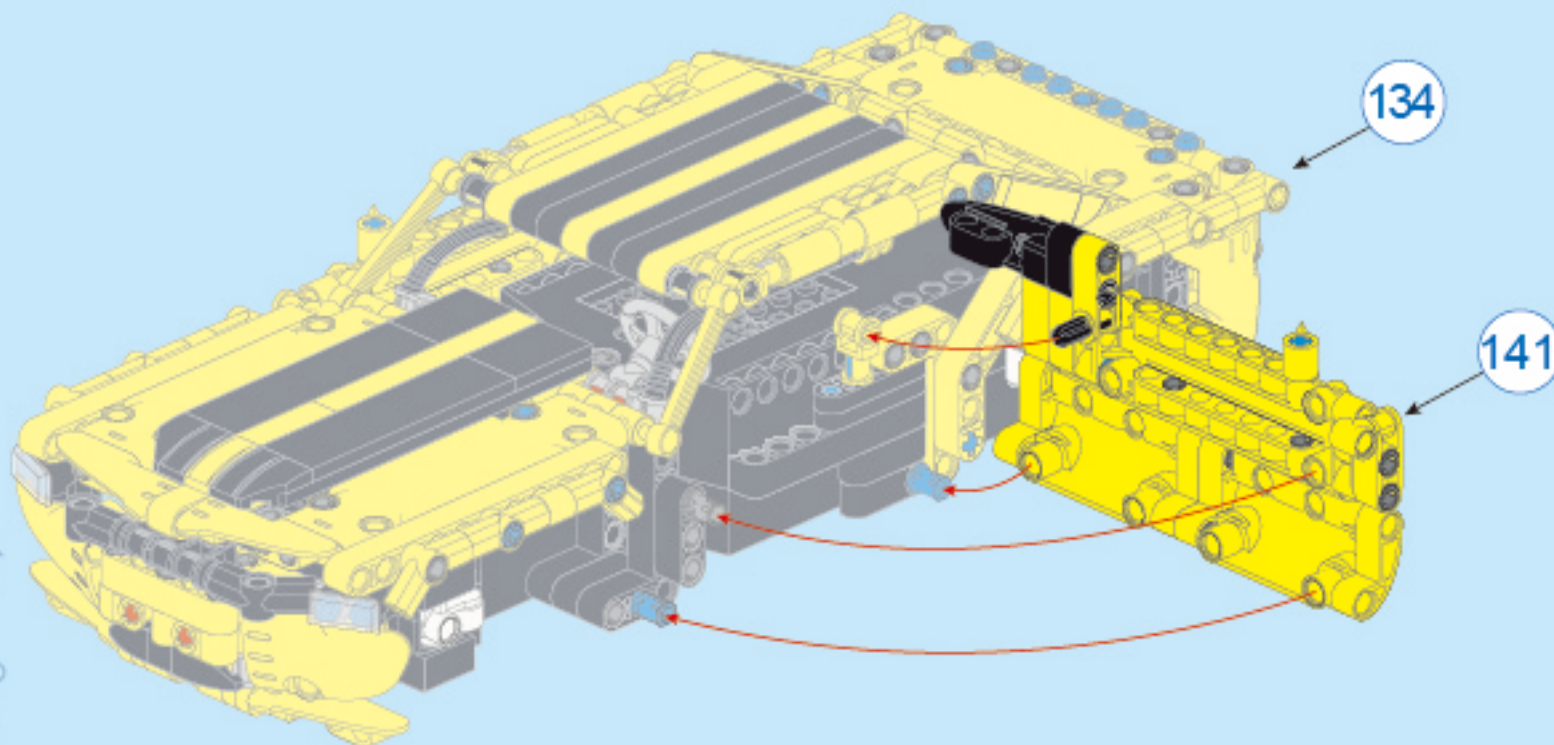
140



141

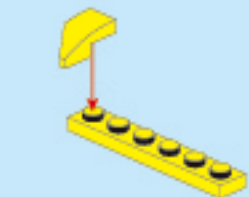


142

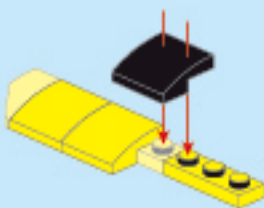




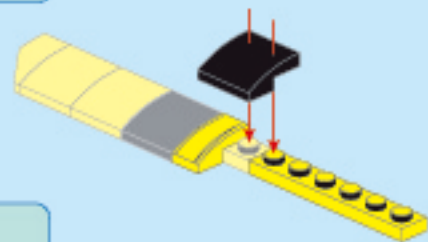
143



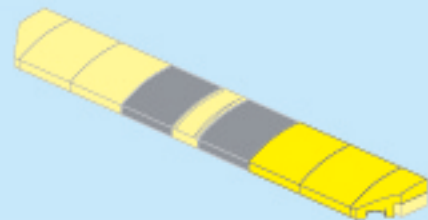
144



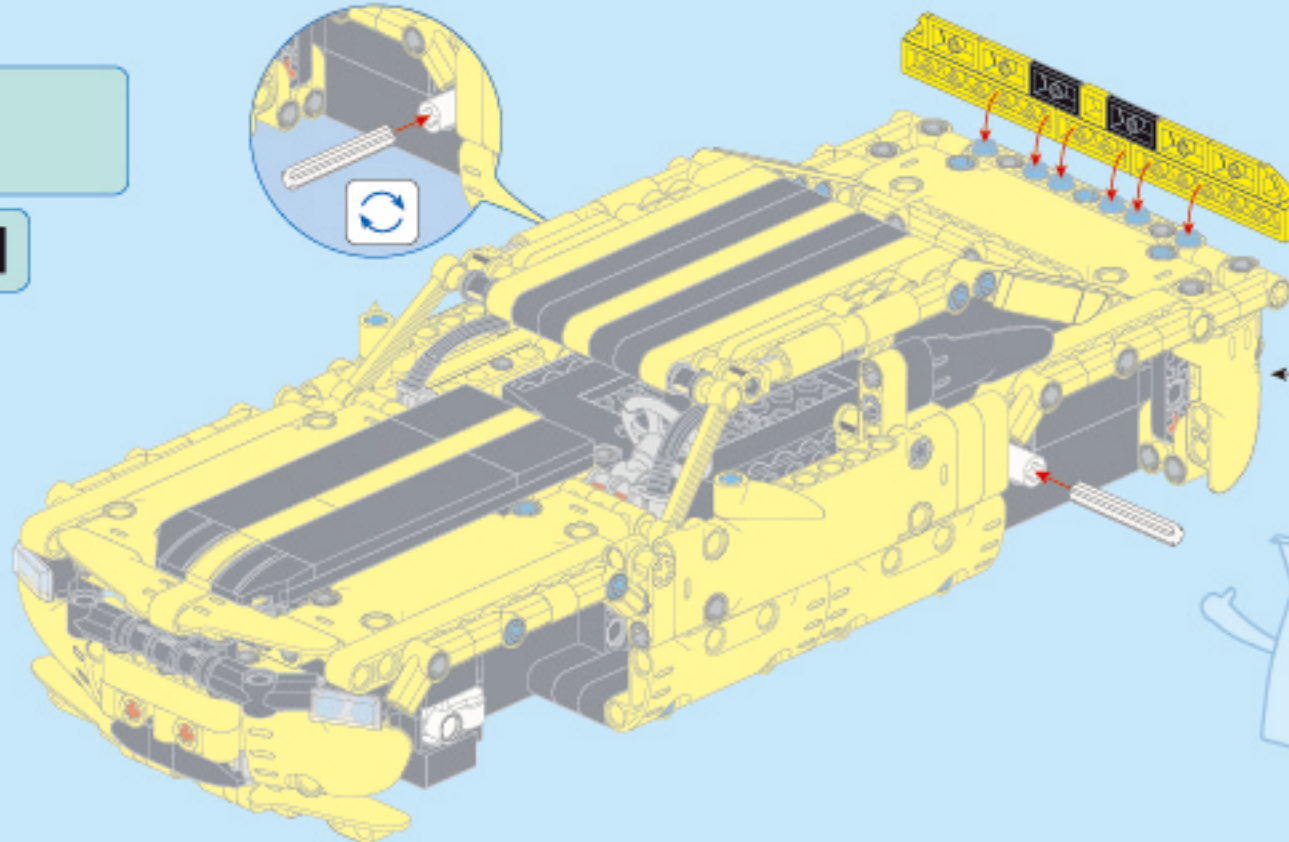
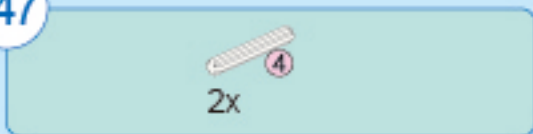
145



146



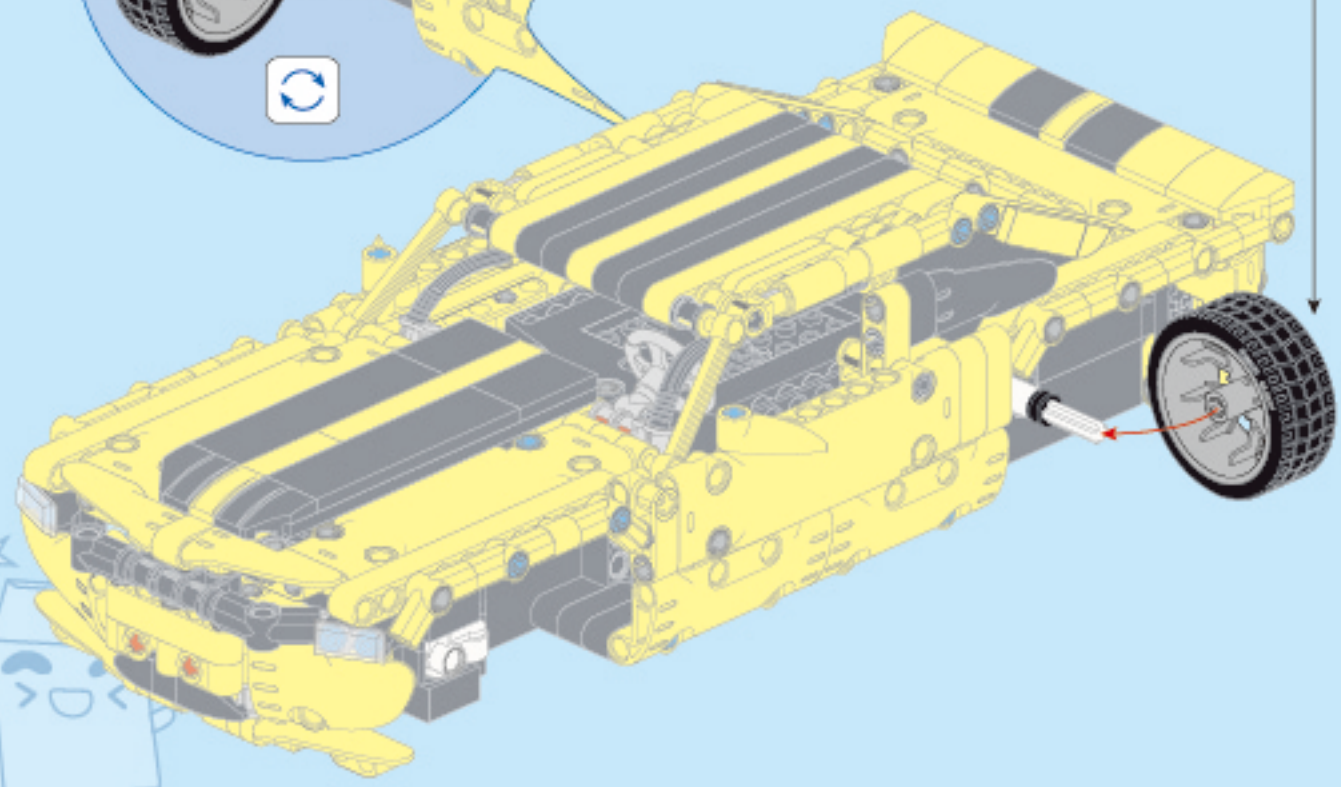
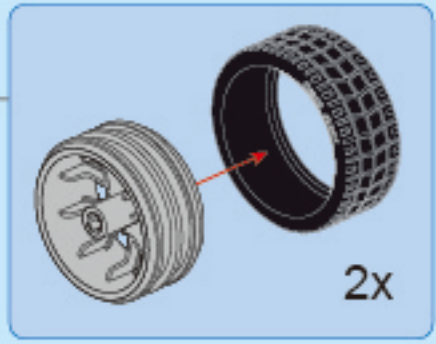
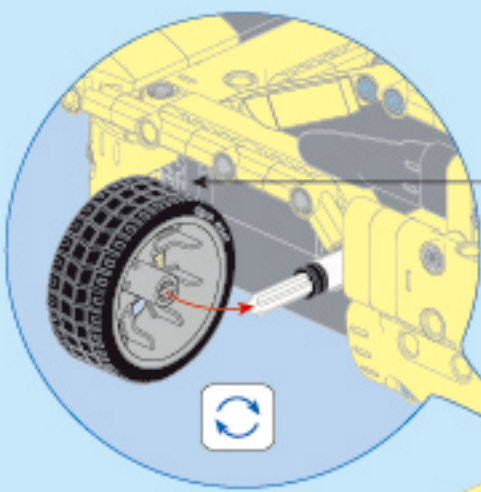
147



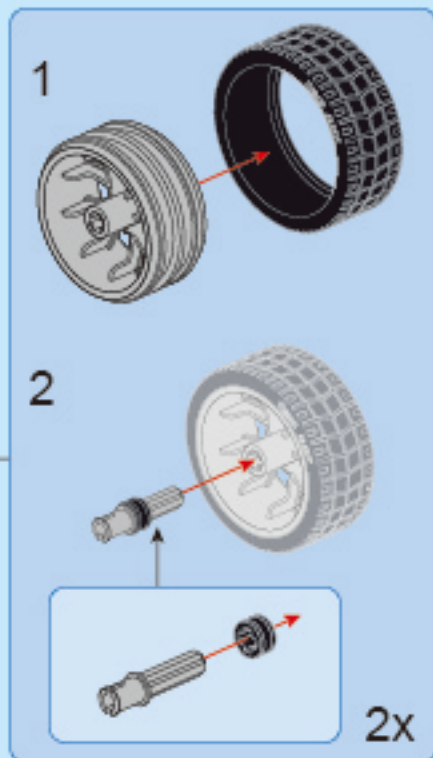
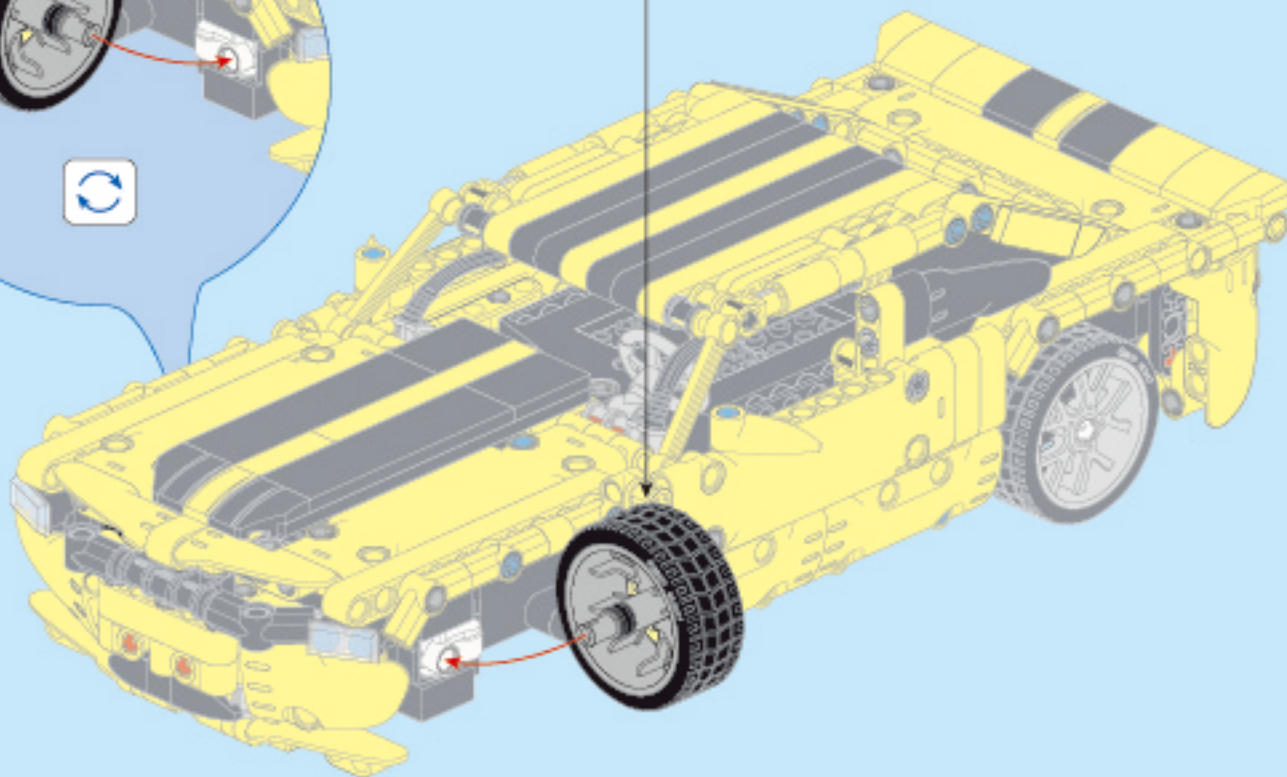
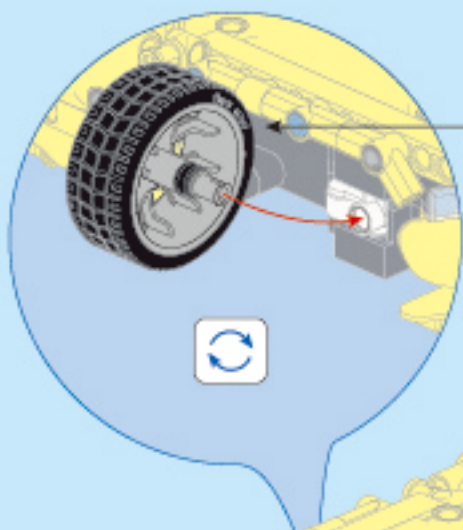
146

142





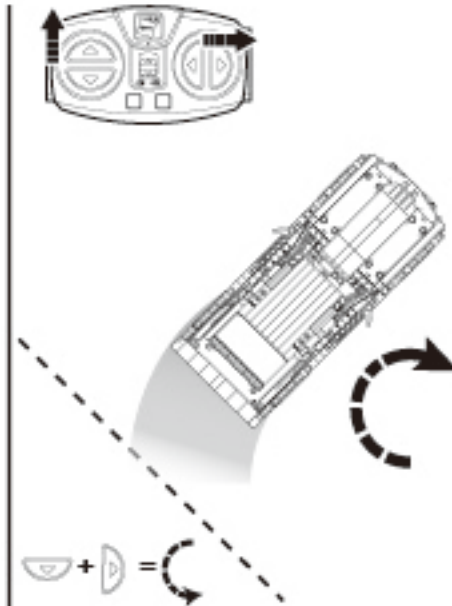
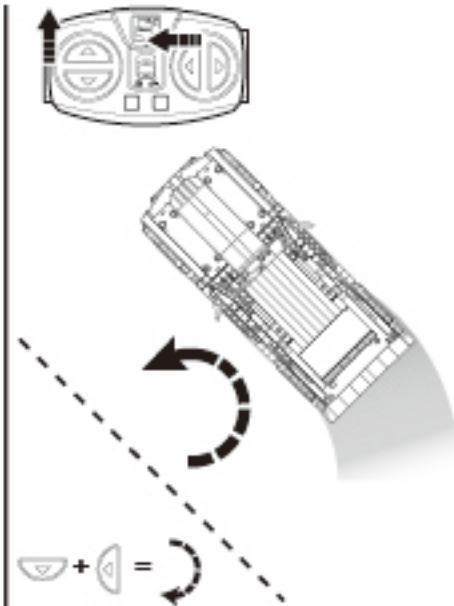
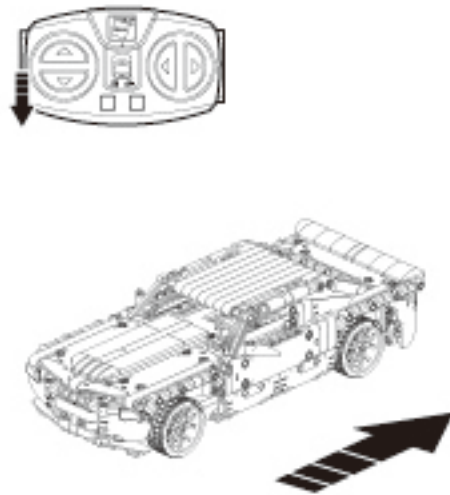
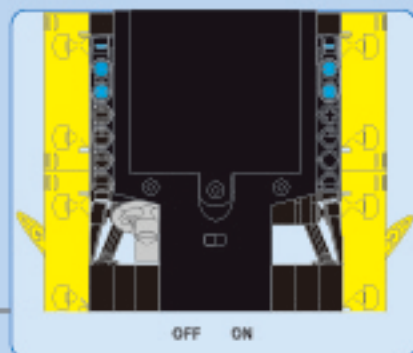
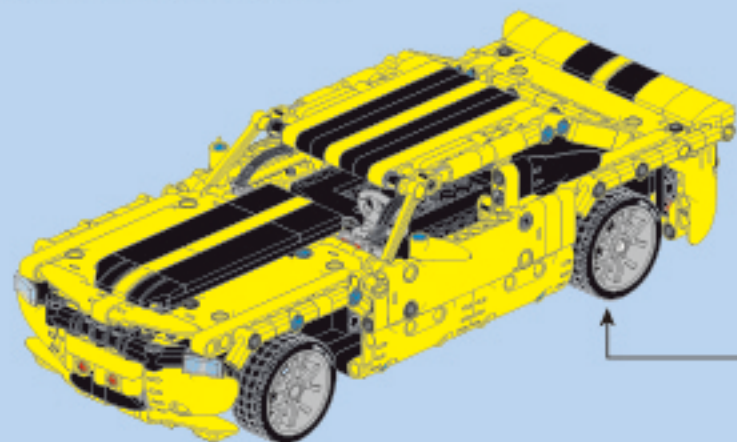
149



Link Operation | 连接操作

Turn on the switch of the main control module, then turn on the switch of the remote control. when the remote control indicator light is on, the link is successful.

首先打开动力模块开关，再打开遥控器开关，当遥控器指示灯长亮时，链接成功。



APP Installation | 安装APP:

This product needs to be used with your mobile phone or tablet
本产品需要搭配您的手机或平板使用

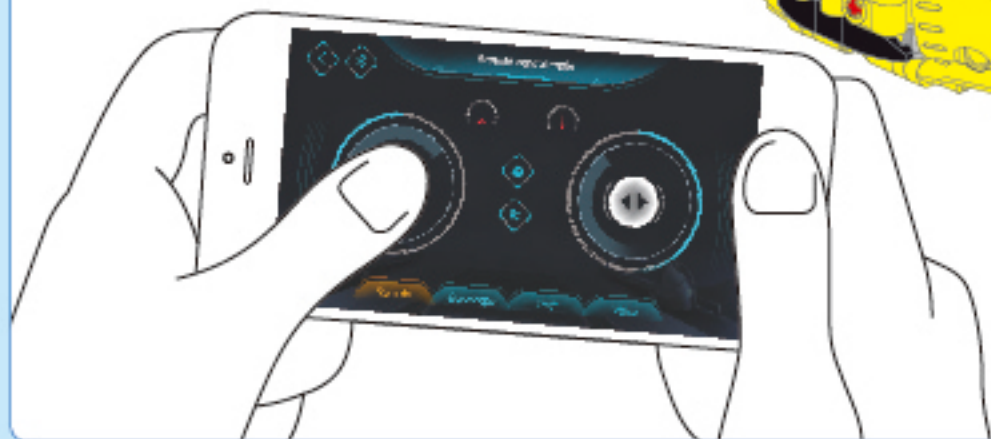
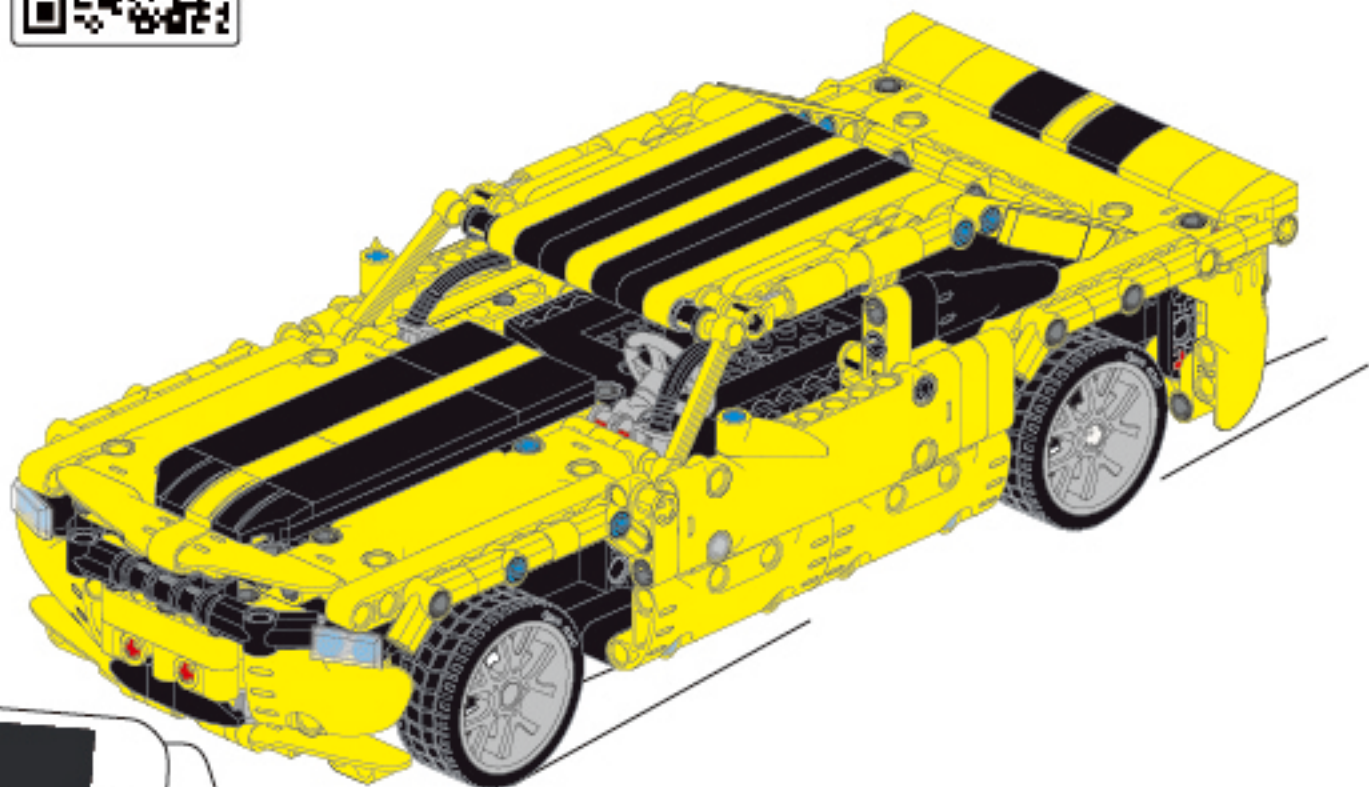
Scan QR code, install "MODEL POWER"
扫一扫安装二维码,
即可安装“启蒙遥控车”!

APP Store

Android App Store
安卓应用商店

Note: The instructions contain
important information. Please
keep it properly. It will take
some time for installation.
Please wait patiently.

注意: 此说明书含有重要信息,
请妥善保管, 遗失不补, 安装
需要一些时间, 请耐心等待。



MODEL POWER



54003 REMOTE CONTROL PANTHER TANK



54004 REMOTE CONTROL LEAPING JEEP



54005 REMOTE CONTROL PHANTOM SUPERCAR



54006 REMOTE CONTROL MIGHTY SUPERCAR