



52005

年龄:8+

片数:629

MODEL POWER  
模动力



扫码关注公众号，  
输入“52005”  
观看玩法视频。



双弹夹  
快速切换

安全电动装置

无皮筋断裂困扰，告别手动上膛

图片仅供参考，请以实物为准。

M416自动步枪

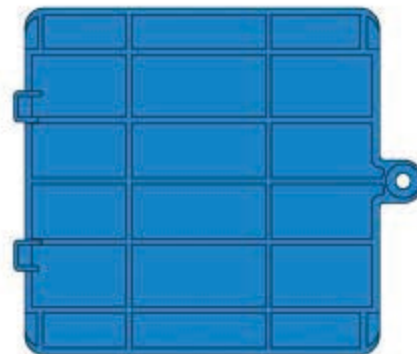


## Operation for Electric-powered Device | 电动装置操作

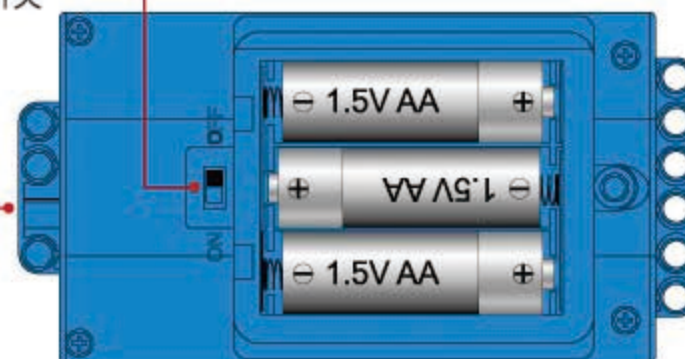
### Battery Cautions | 电池注意事项

- 1, The electric-powered device is powered by 3 1.5V AA non-rechargeable batteries.
- 2, The putting in and taking out for batteries: Loosen the screw with a screwdriver, uncover the battery cover, insert in the battery correctly according to the polarity and voltage marks on the battery case, and lock the battery cover; Please remove the battery in reverse order.
- 3, Non-rechargeable batteries are not rechargeable.
- 4, Rechargeable batteries should be charged under adult supervision.
- 5, Do not use batteries with different types or old and new batteries at the same time.
- 6, Batteries of the same type or the same type as recommended could only be used.
- 7, Batteries should be inserted in by correct polarity.
- 8, Depleted batteries should be taken out from the product. If the product is idle for a while, please also take out batteries.
- 9, Do not short-circuit the power terminal.
- 10, Rechargeable batteries should be removed from toys before charging.

1. 电动装置使用3\* 1.5V AA非充电电池。
2. 电池装入和取出：用螺丝刀松螺丝钉，揭开电池盖，按玩具电池室上的极性和电压标志正确安装电池，并锁上电池盖；取出电池时，按相反顺序操作。
3. 非充电电池不能充电。
4. 充电电池需在成人监护下充电。
5. 不同类型的电池或新旧电池不能混用。
6. 型号相同或与推荐型号等同的电池才可以使用。
7. 电池应以正确的极性放入。
8. 用尽的电池应从玩具中取出，若长时间不使用，请将玩具中电池取出。
9. 电源端子不得短路。
10. 充电电池在充电前应从玩具中取出。



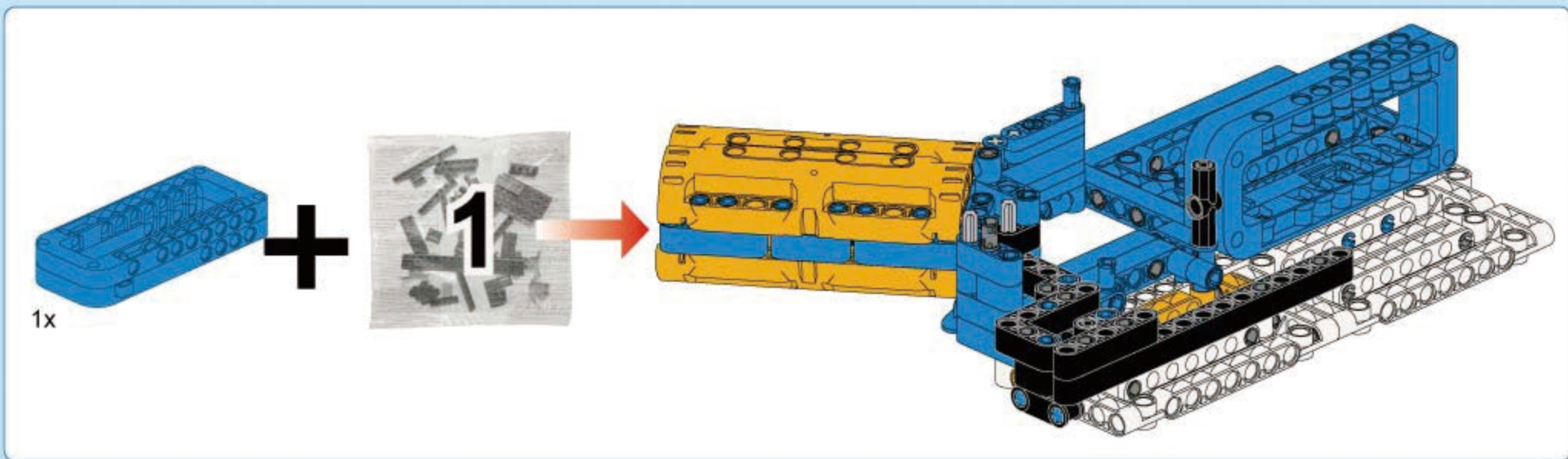
Power Switch  
电源开关



The safety switch will not be turned on until the particles are assembled according to the instructions in the manual.  
安全开关，按说明书指示拼搭颗粒后才会开启。

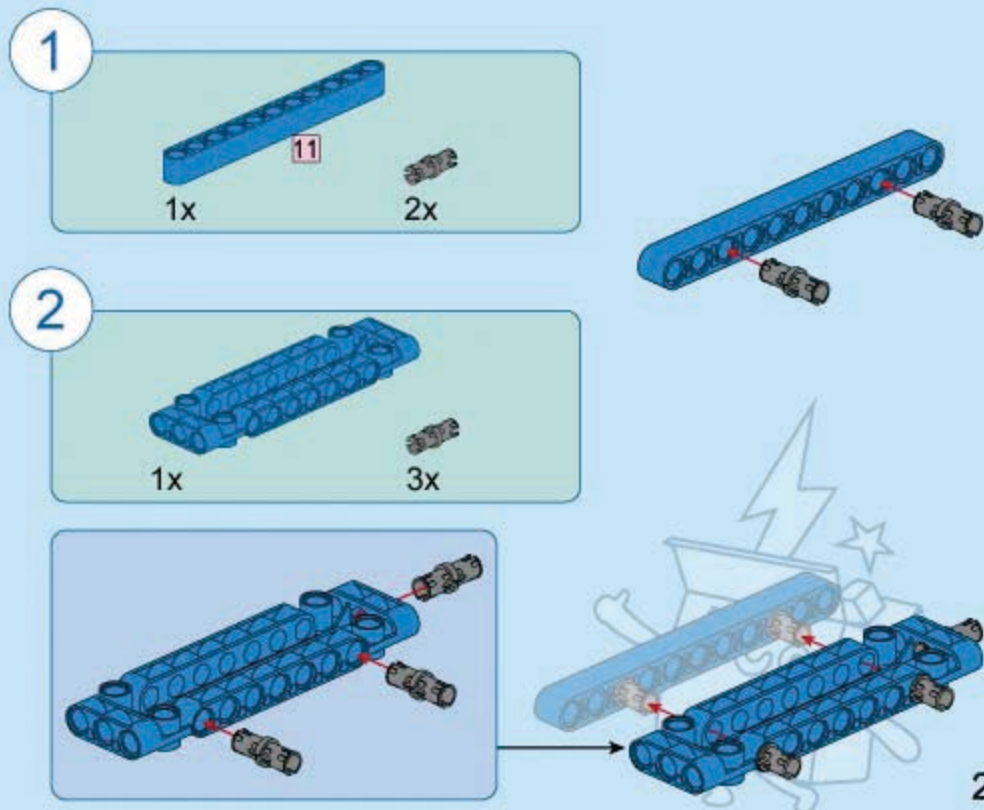
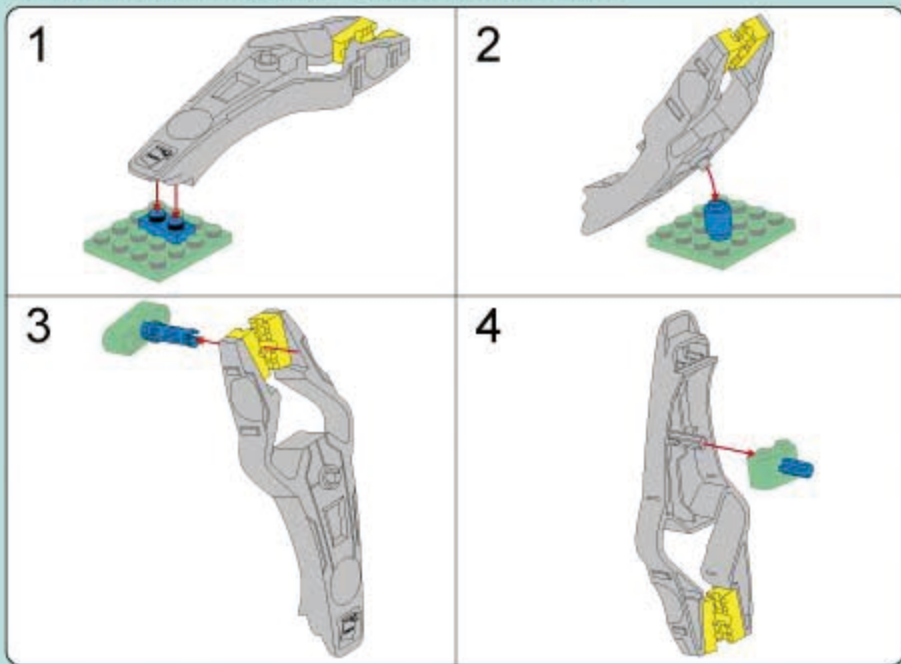
Pictures are for your reference only. The delivered goods shall prevail.

图片仅供参考，请以实物为准。

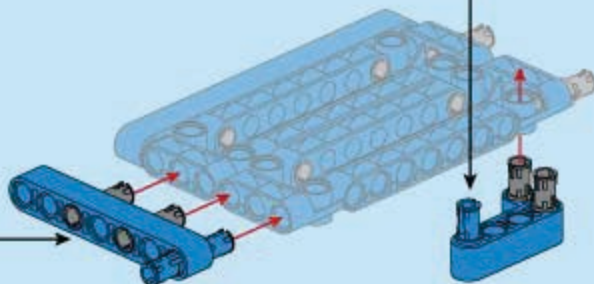
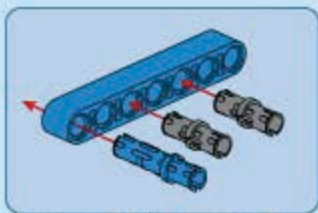
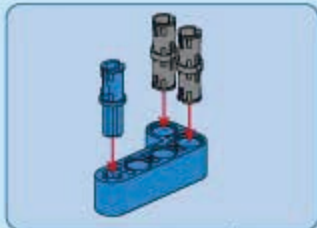
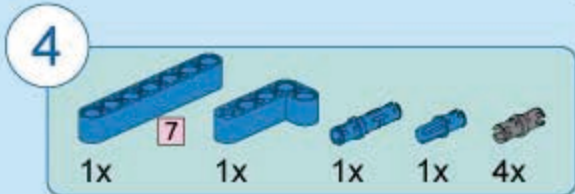
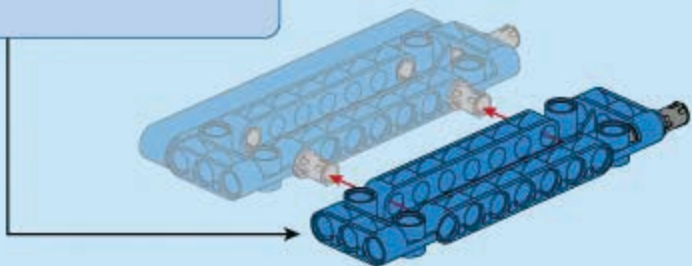
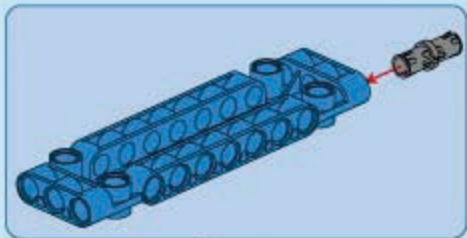


拆件器使用方法，仅为示例

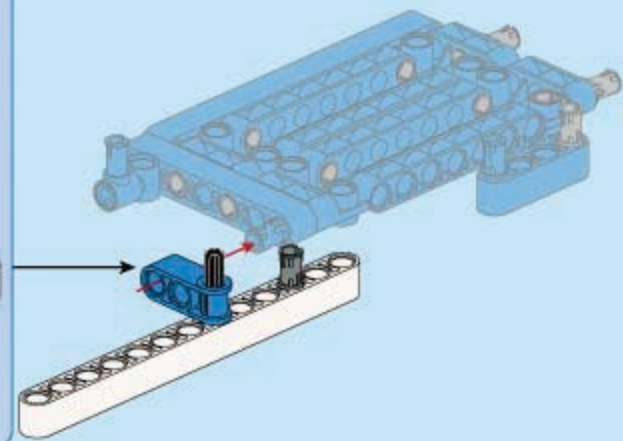
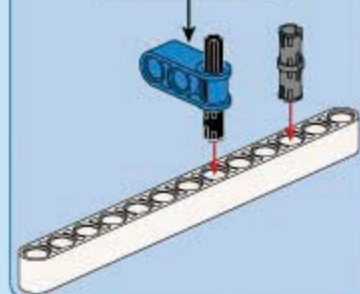
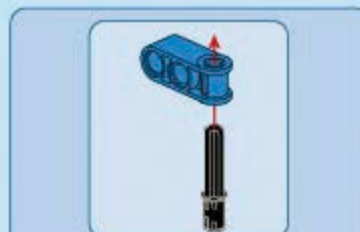
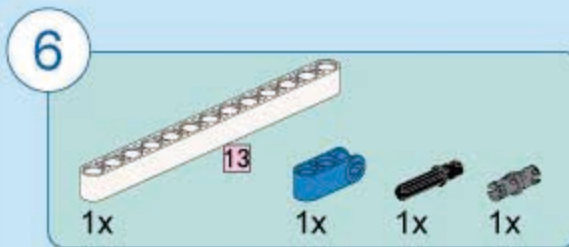
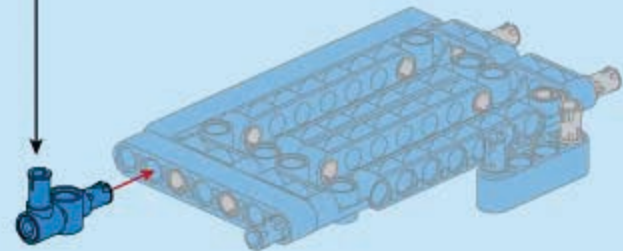
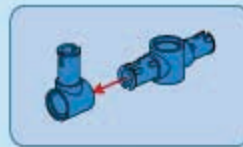
Usage of Brick Separator, Just for the sample





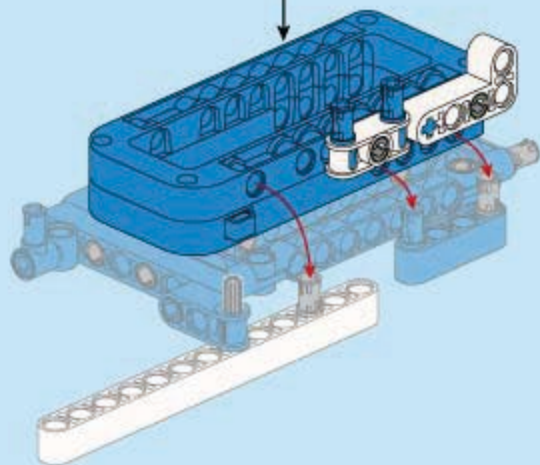
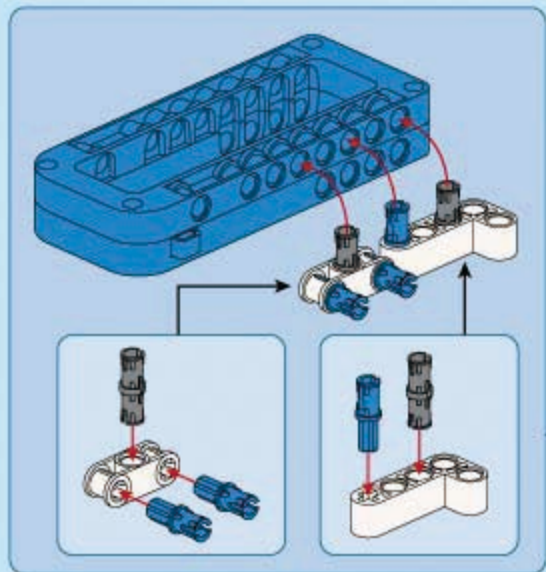
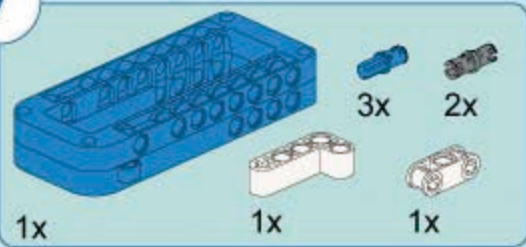


3

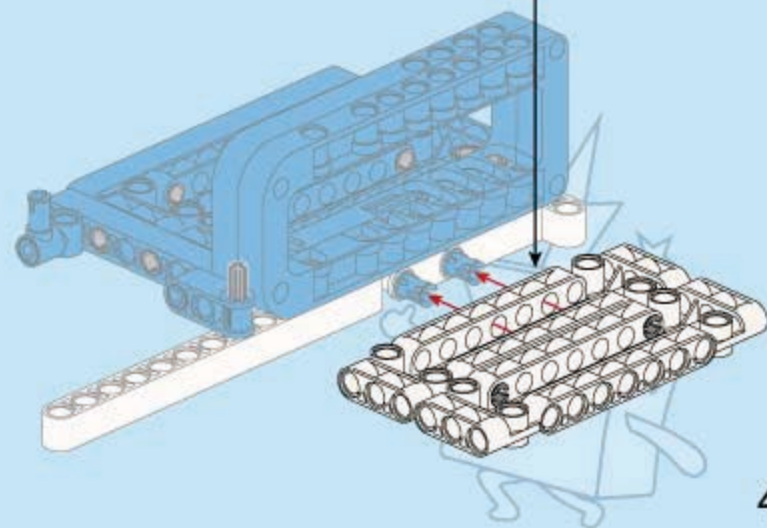
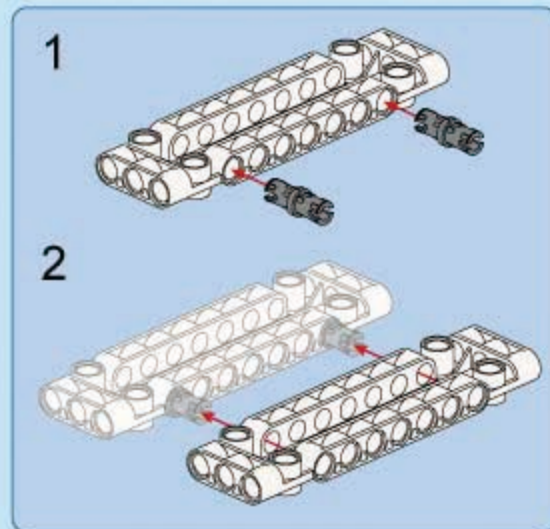
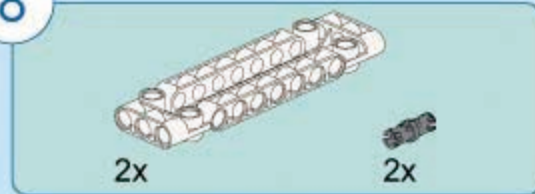




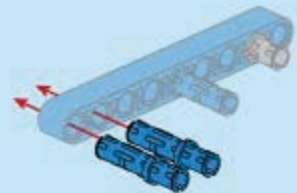
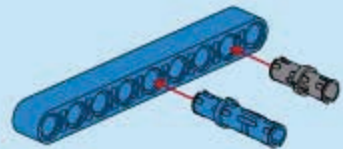
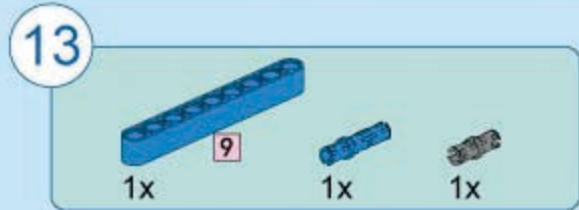
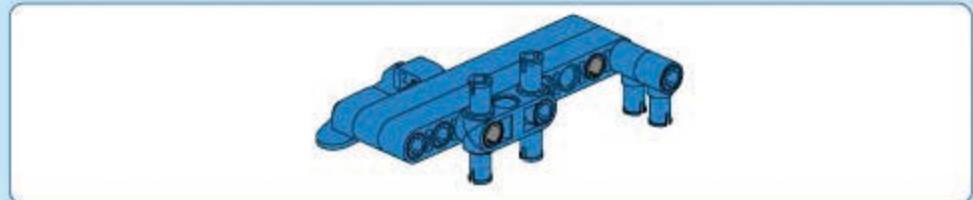
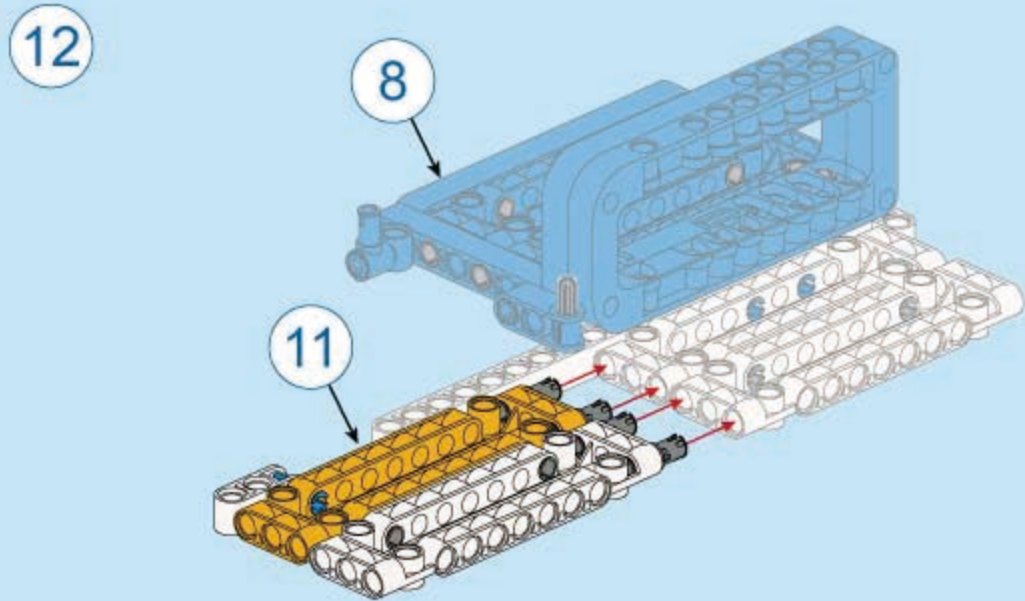
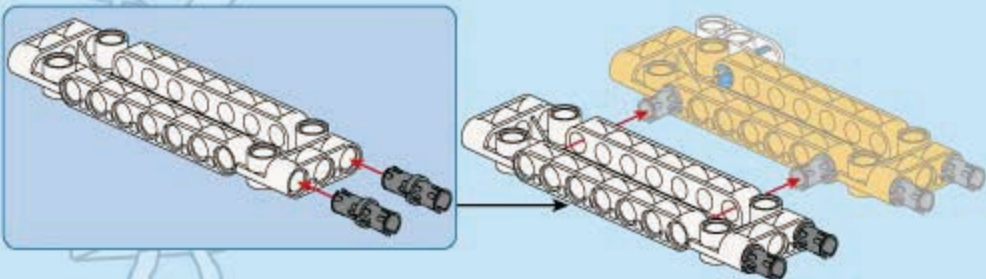
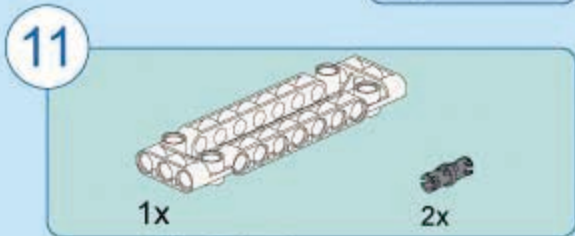
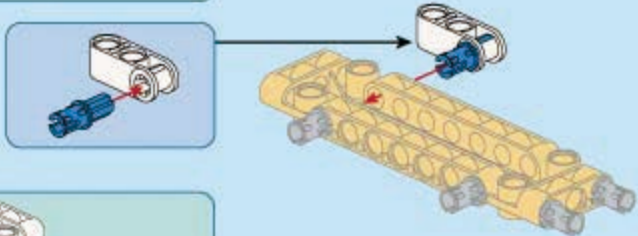
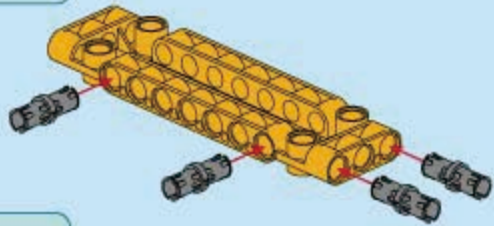
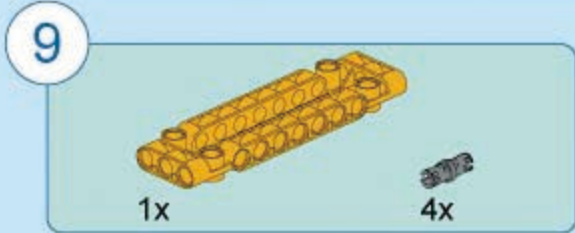
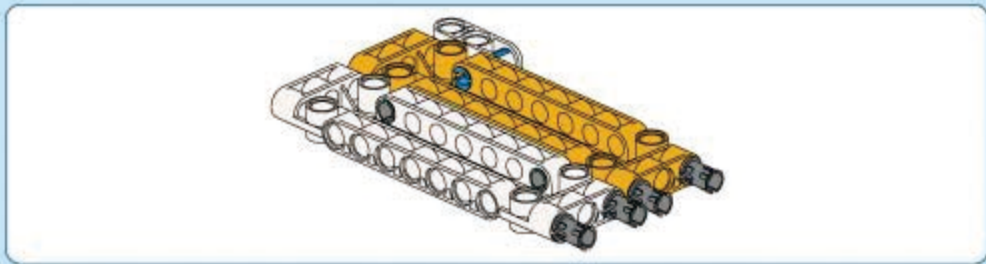
7



8



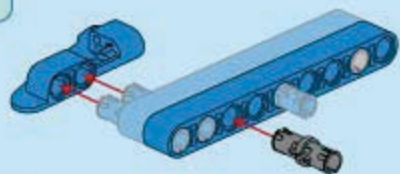
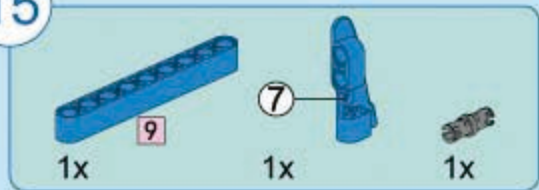




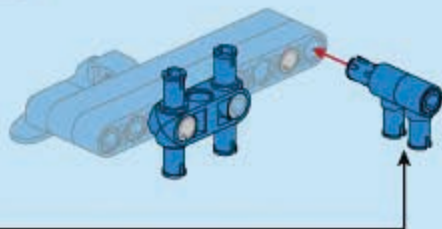
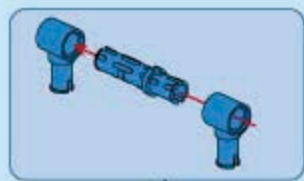




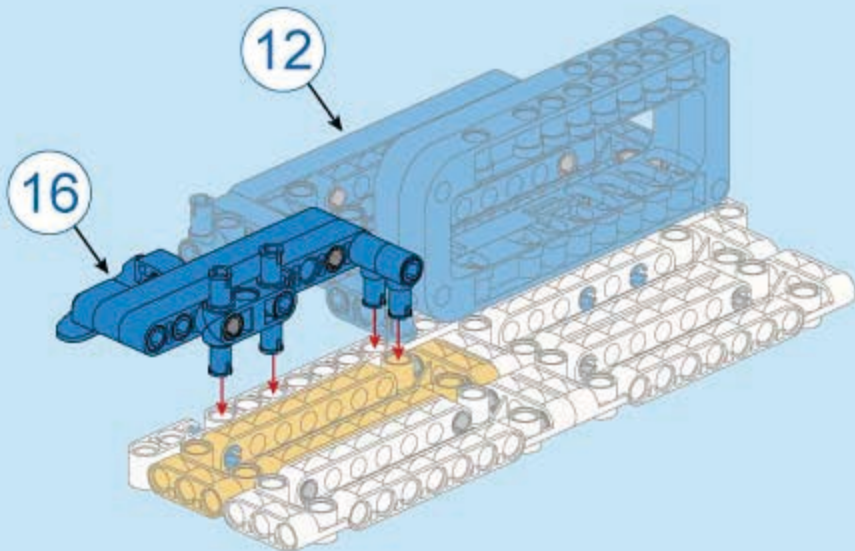
15



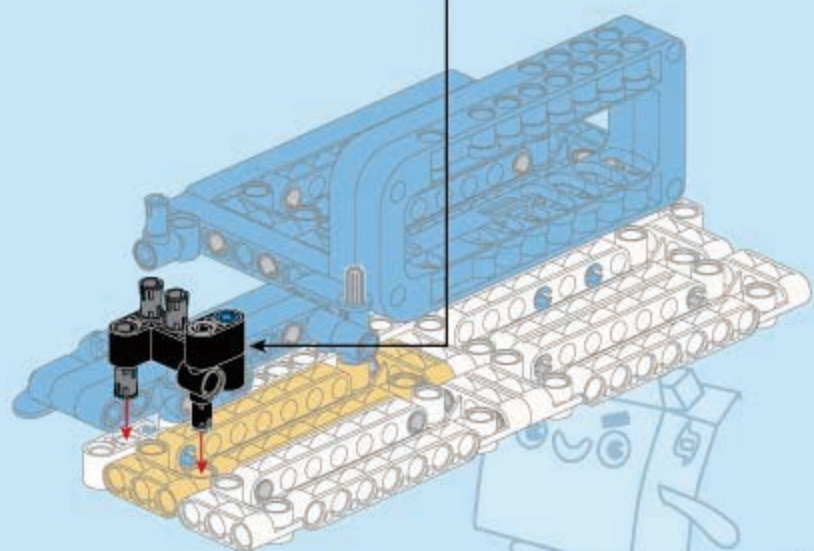
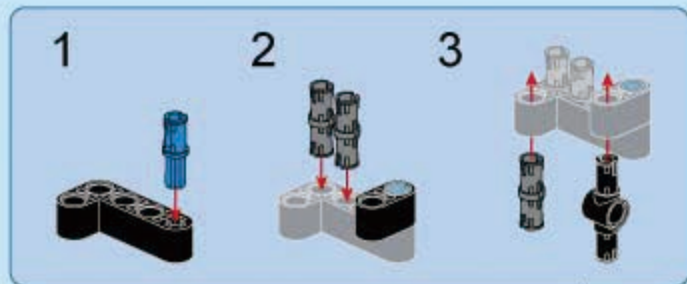
16



17

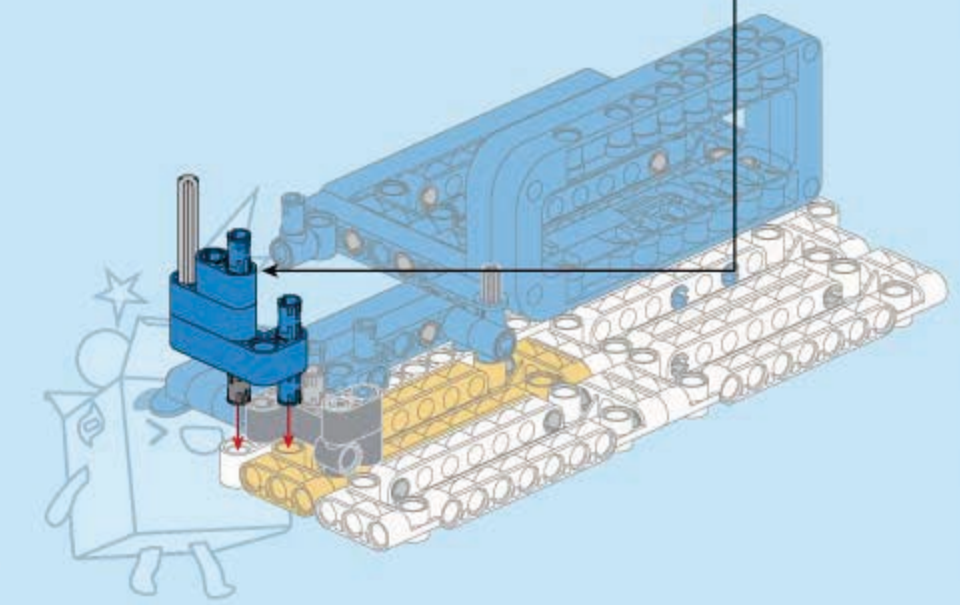
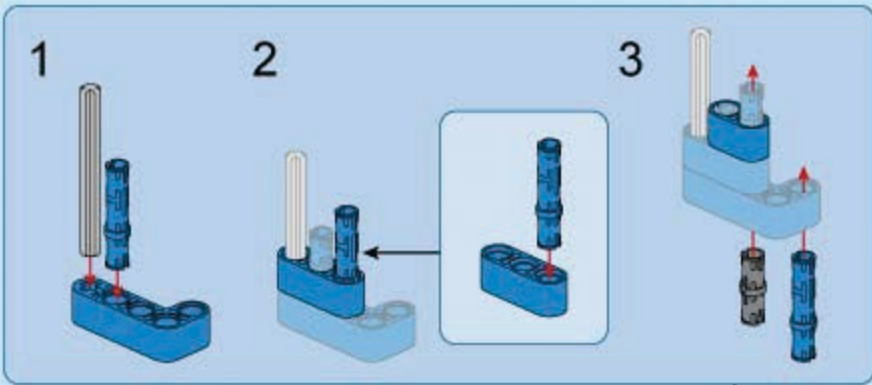


18

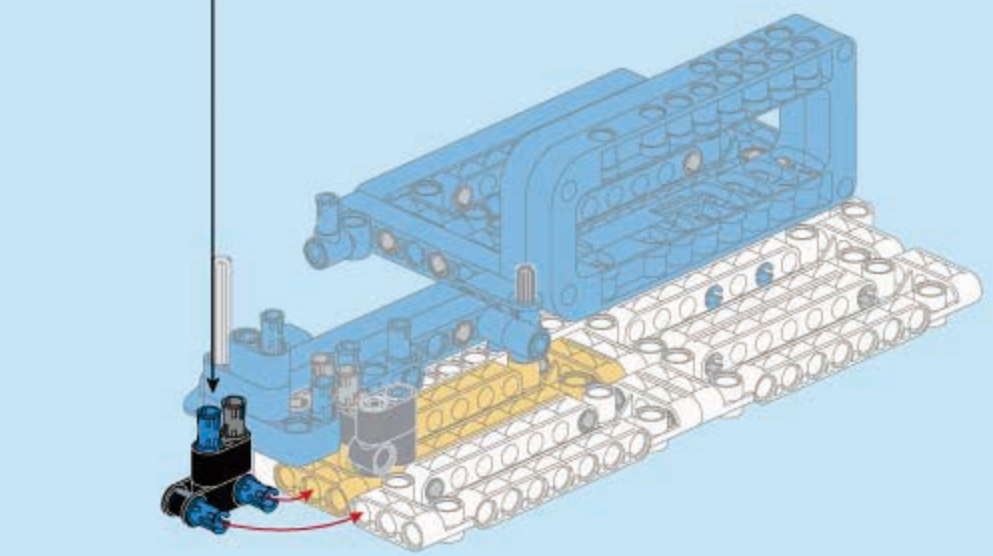
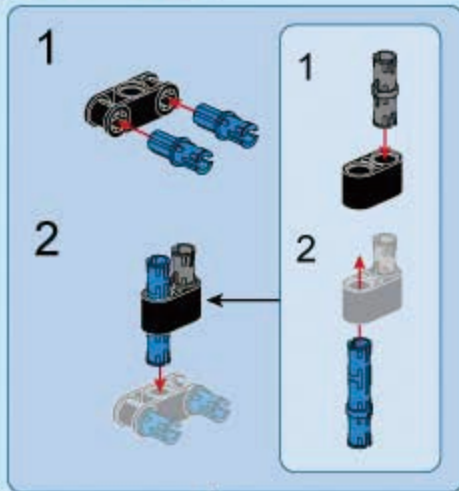




19

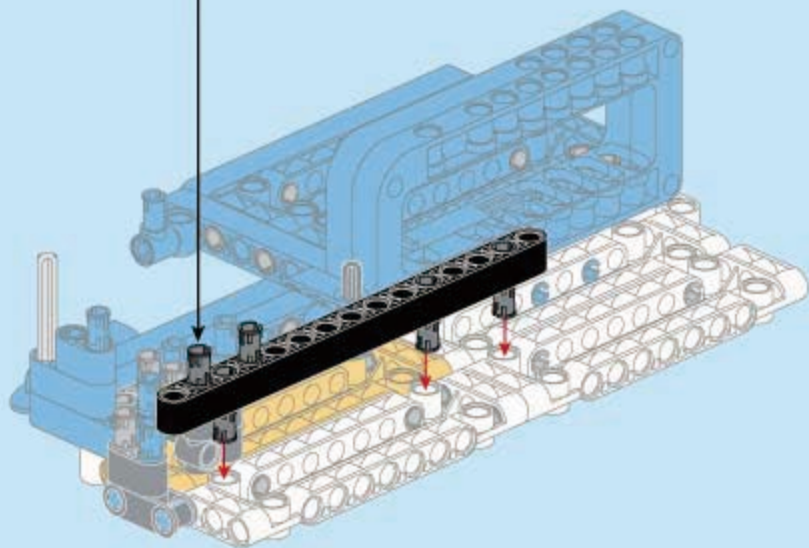
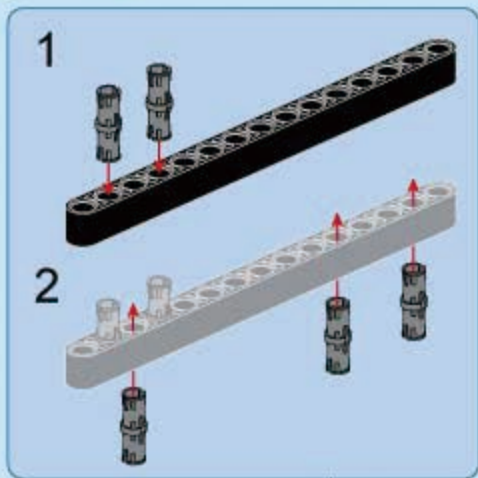
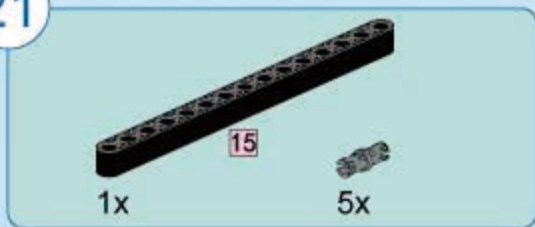


20

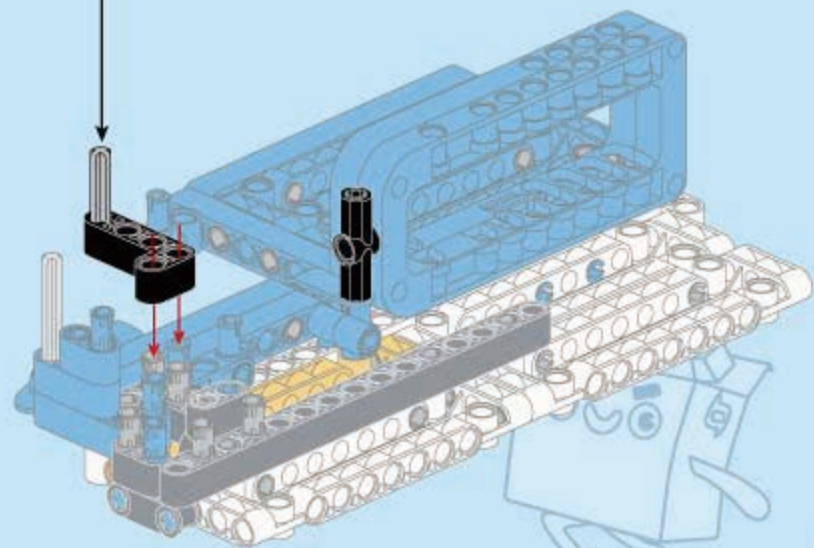
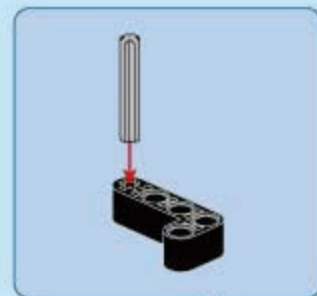




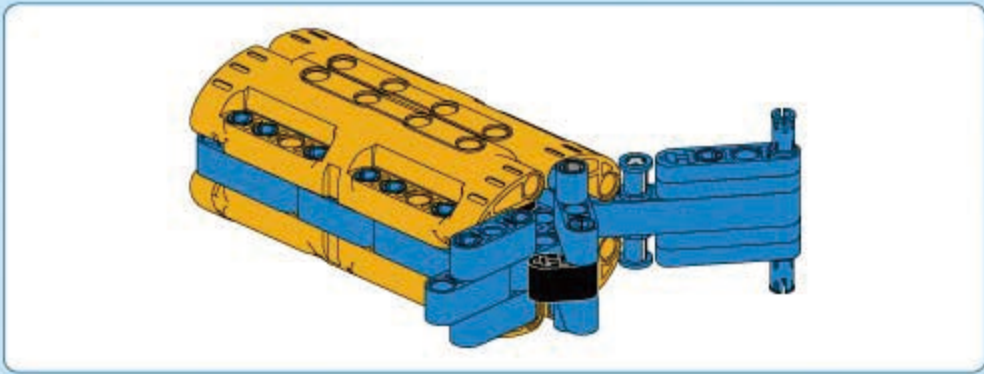
21



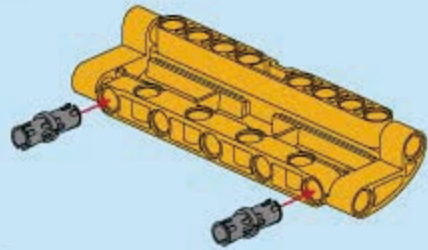
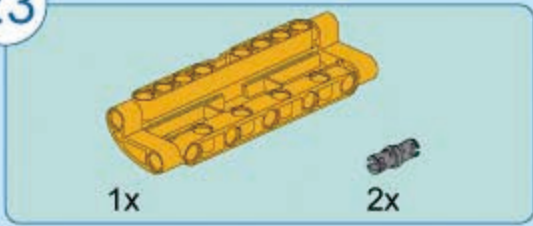
22



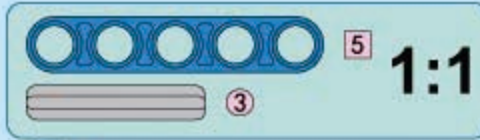
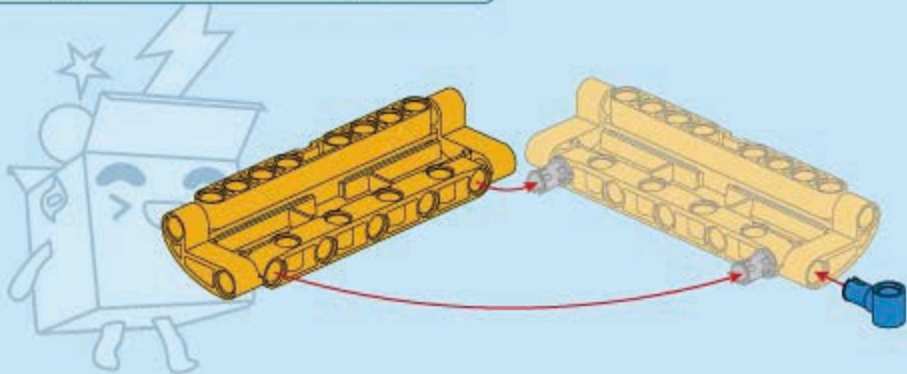
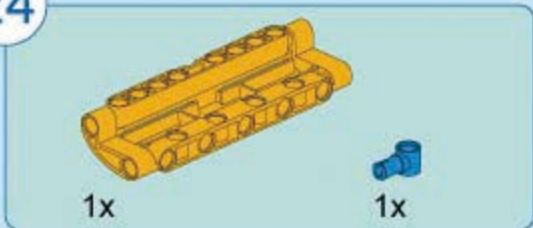




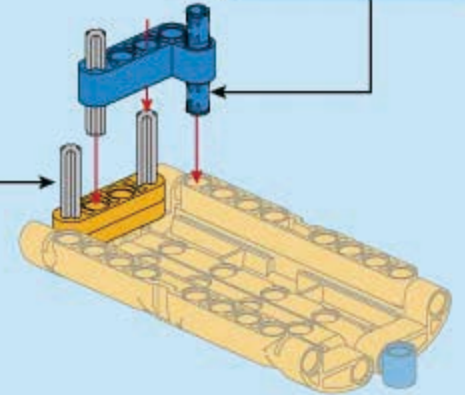
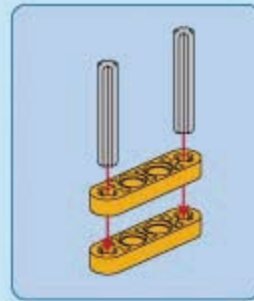
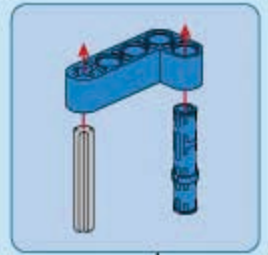
23



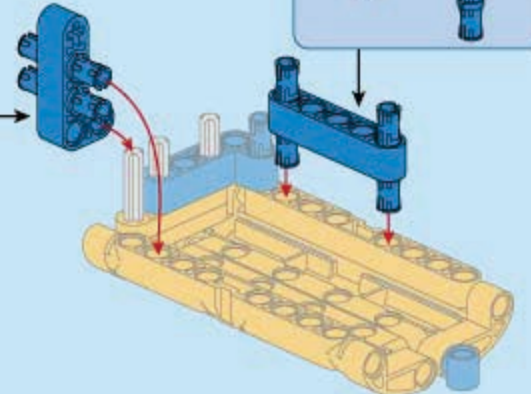
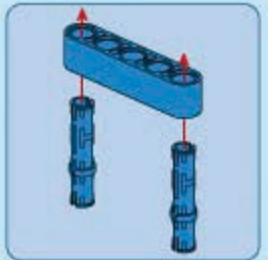
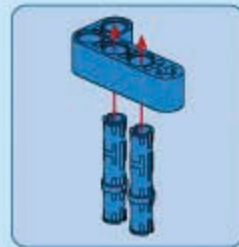
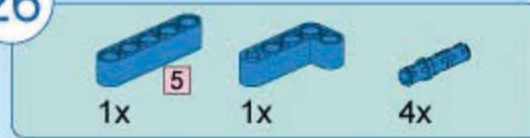
24



25

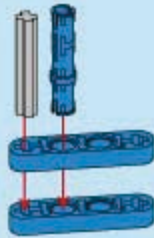


26

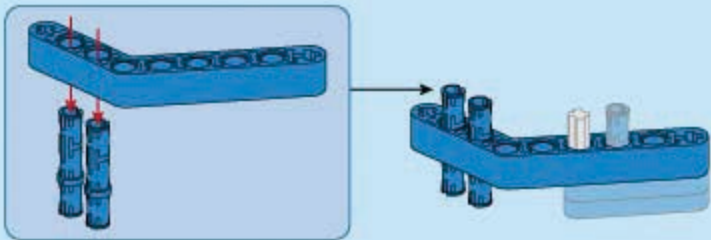


③ 1:1

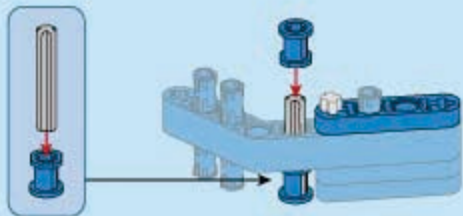
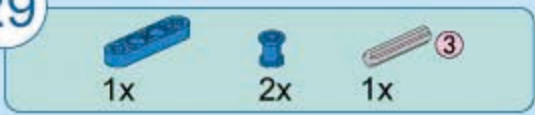
27



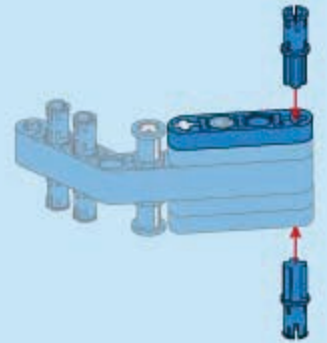
28



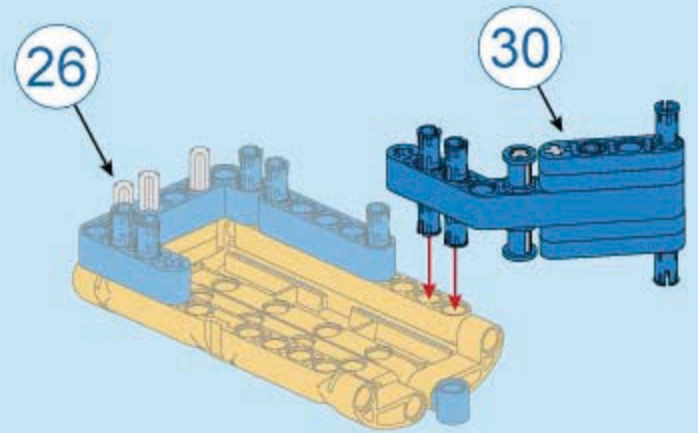
29



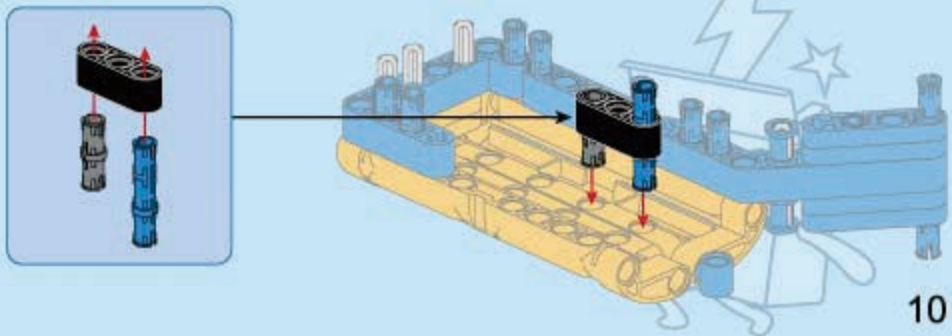
30



31

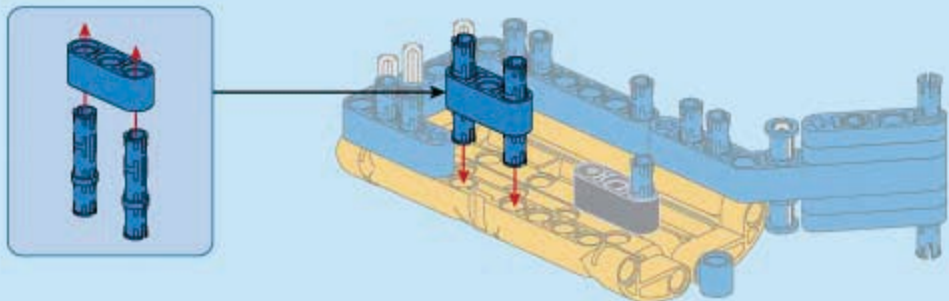


32

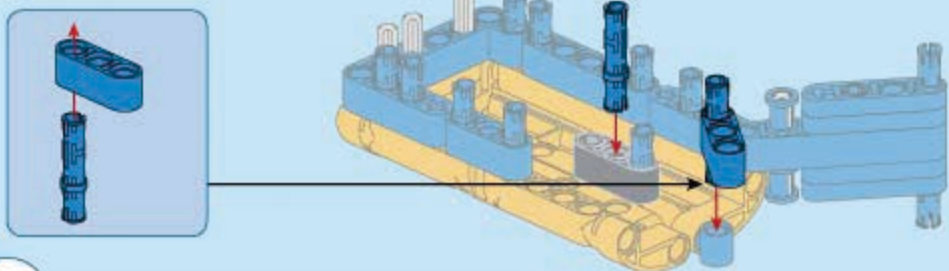




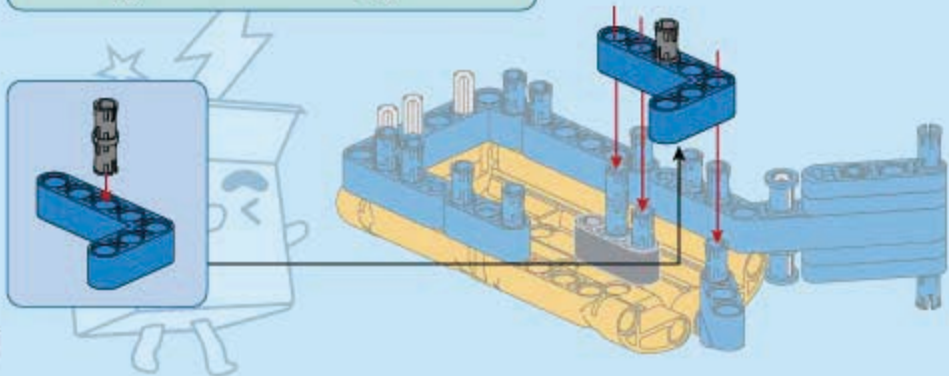
33



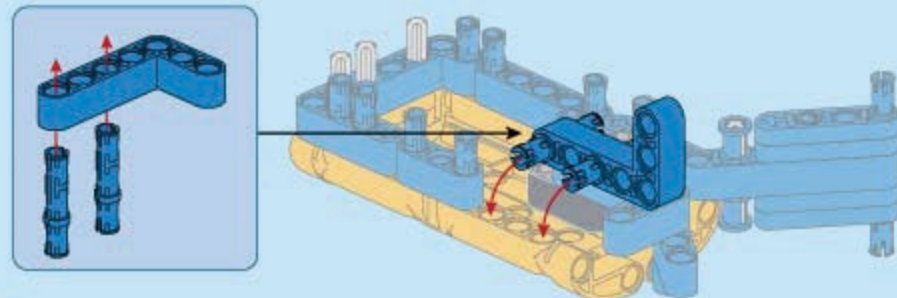
34



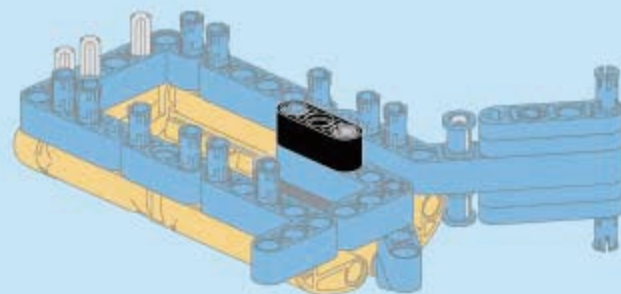
35



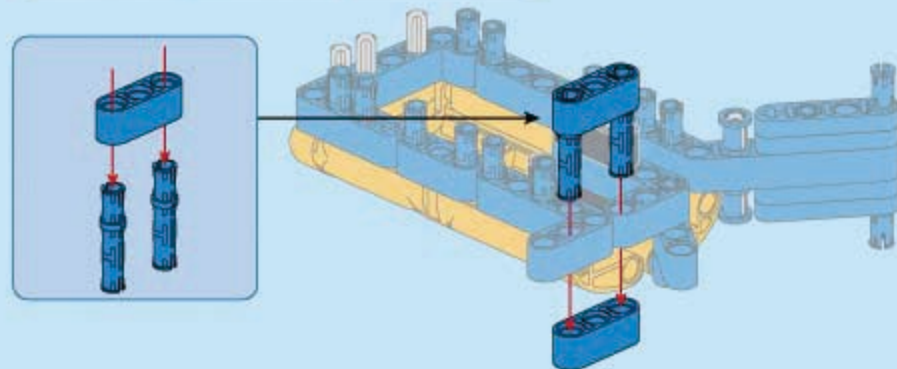
36



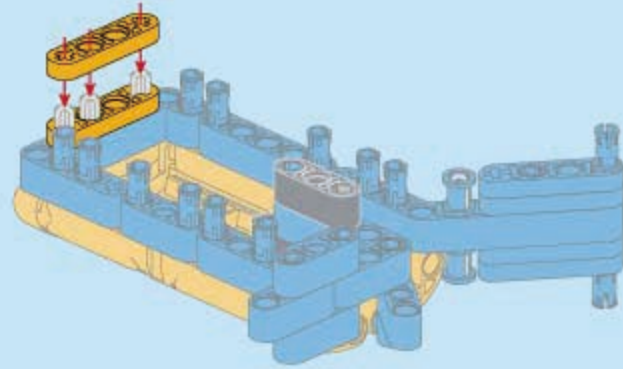
37



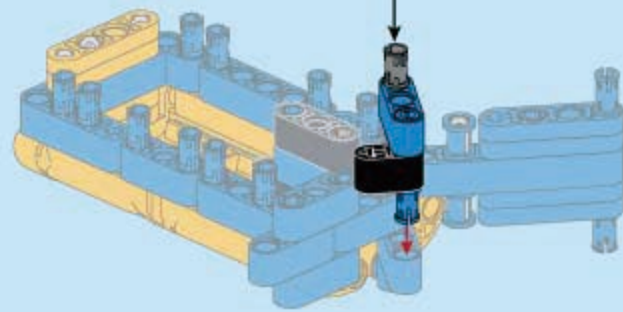
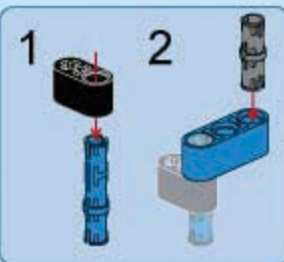
38



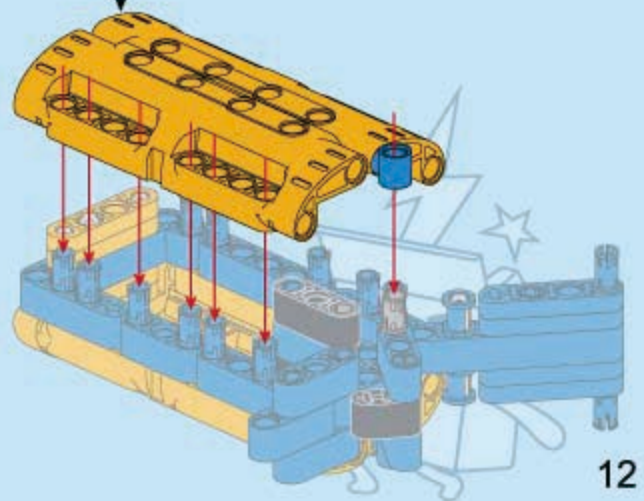
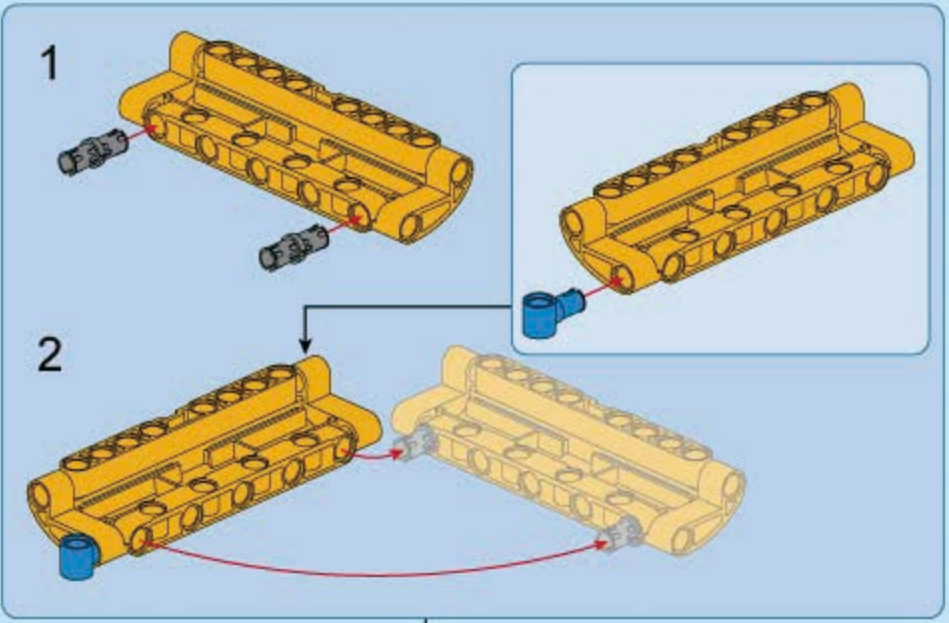
39



40

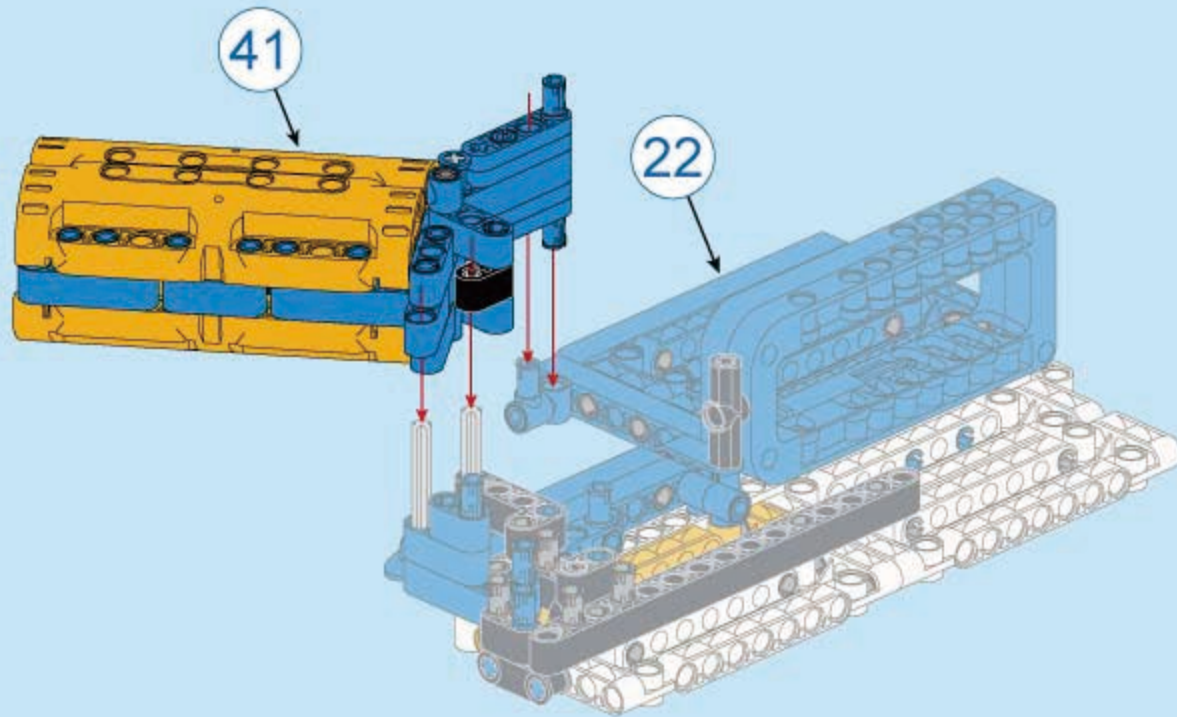


41

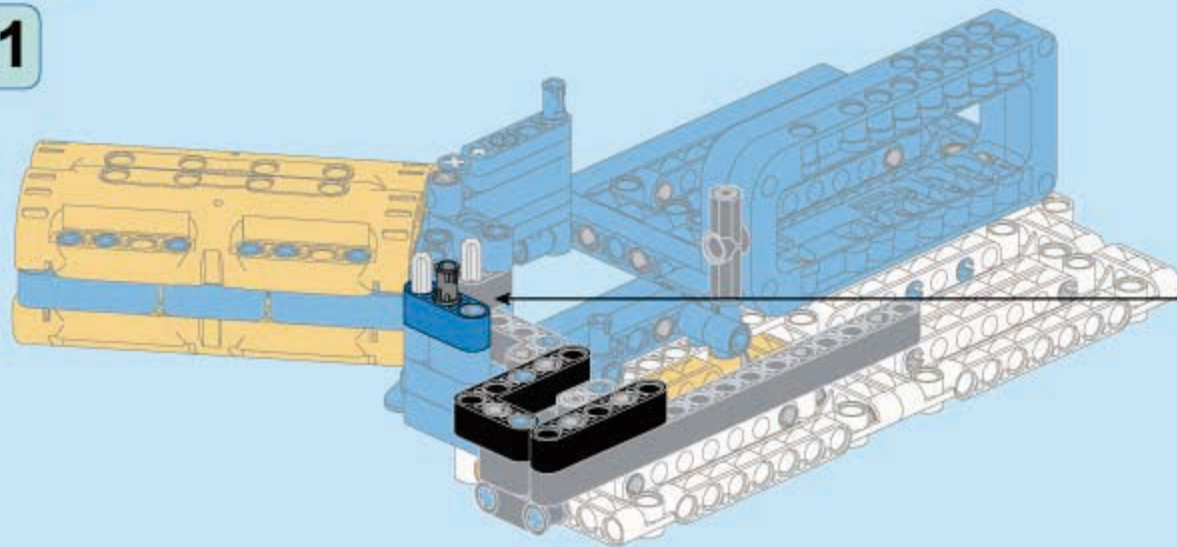




42



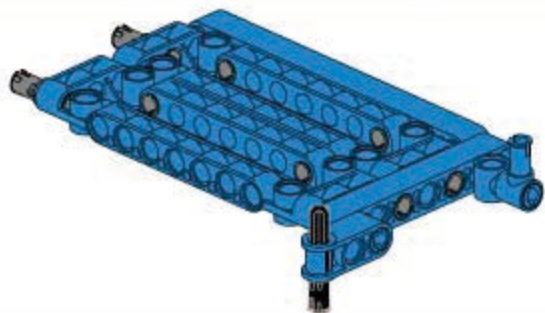
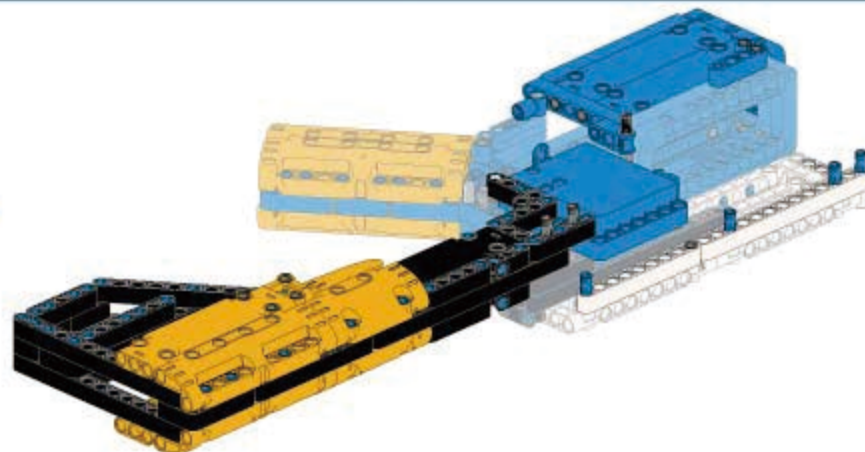
43





1x

+



44

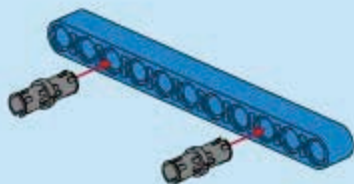


1x

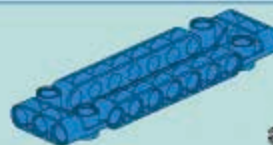
11



2x



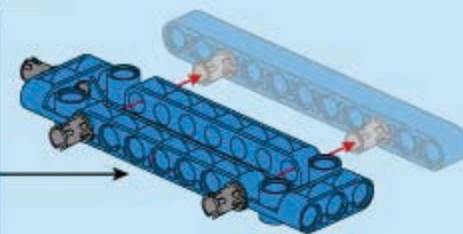
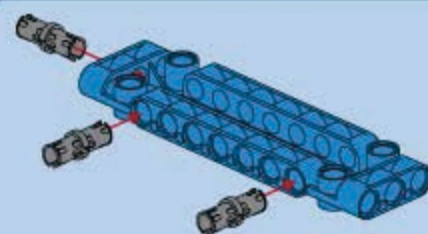
45



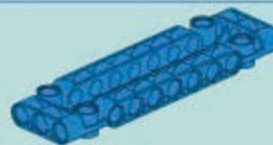
1x



3x



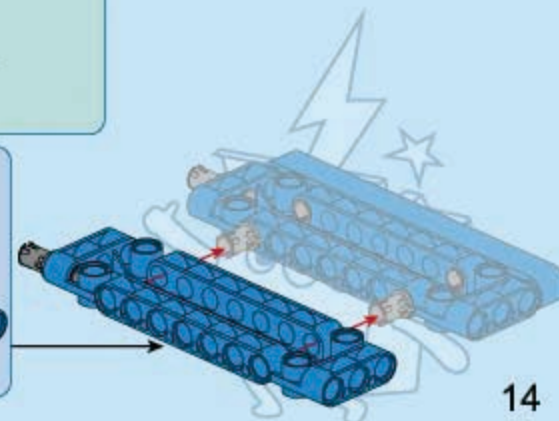
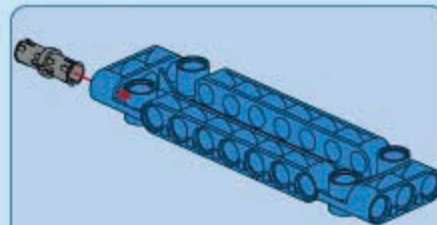
46




1x






1x

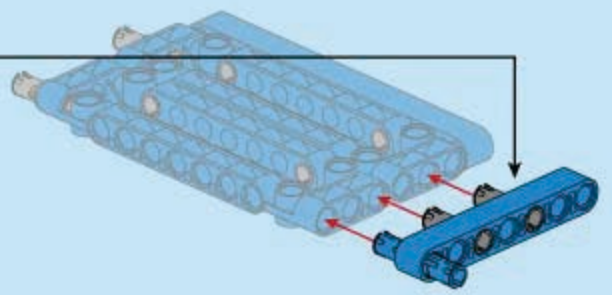
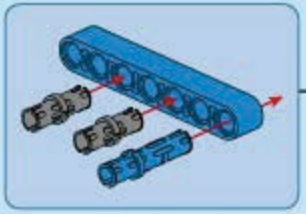




 7 **1:1**

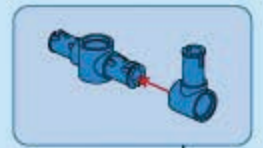
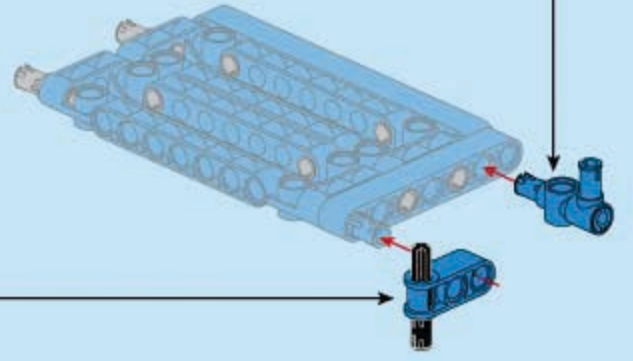
47

-  7
-  1x
-  2x

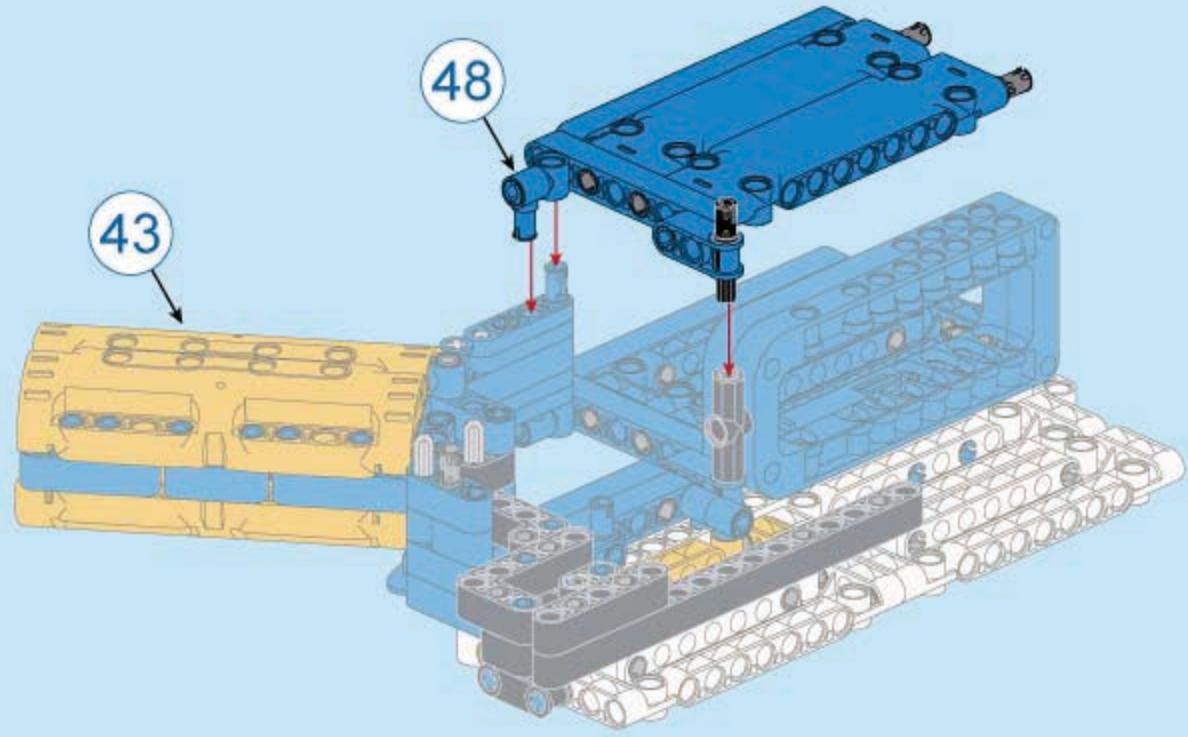


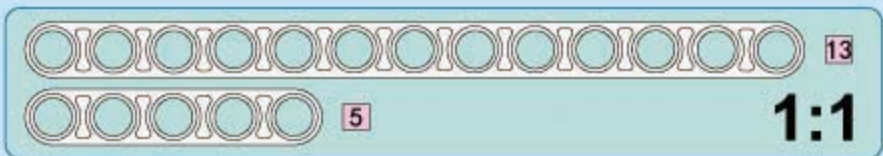
48

-  1x
-  1x
-  1x
-  1x

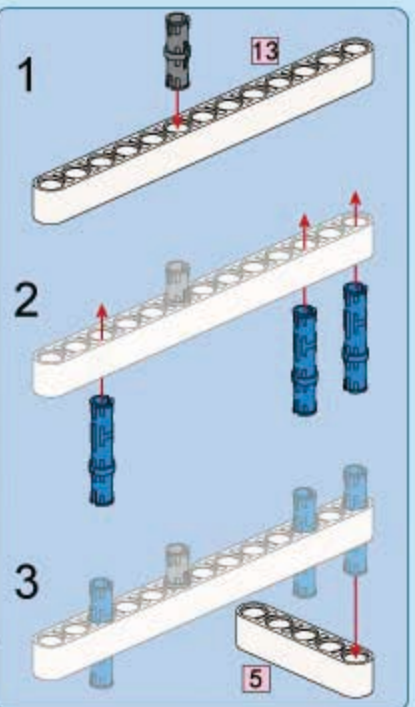
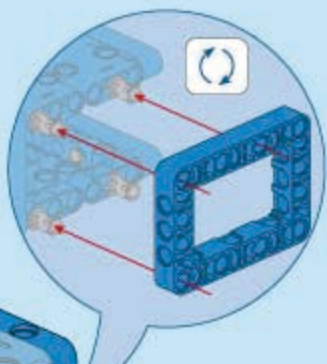
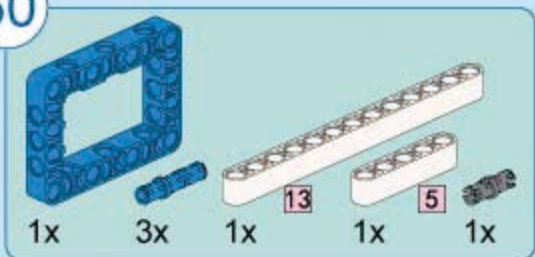


49

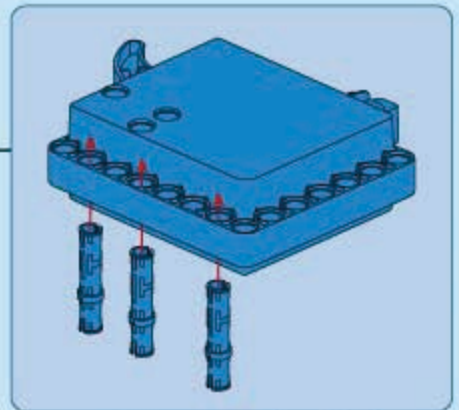
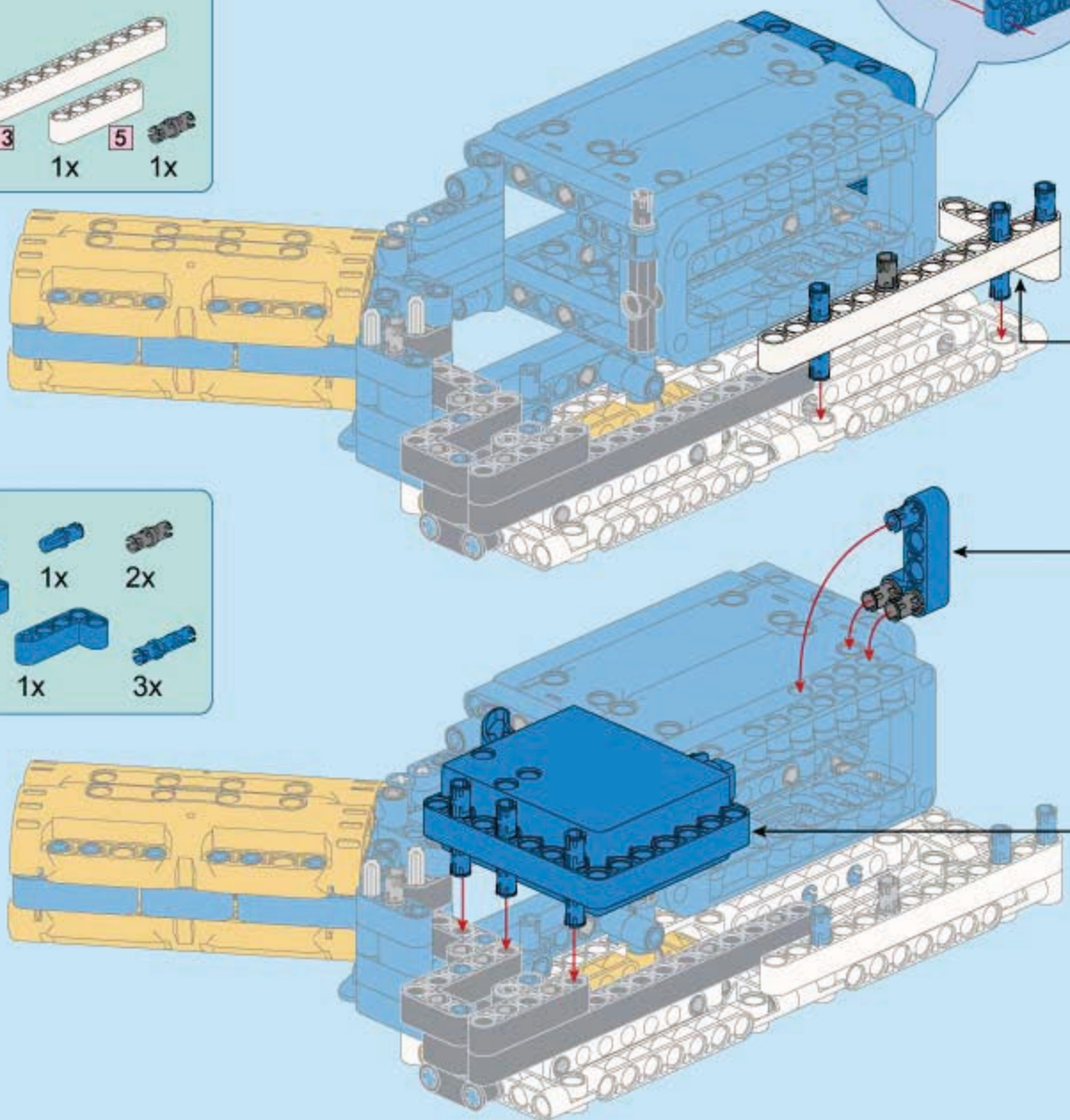
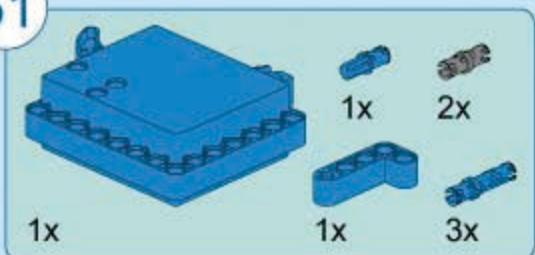




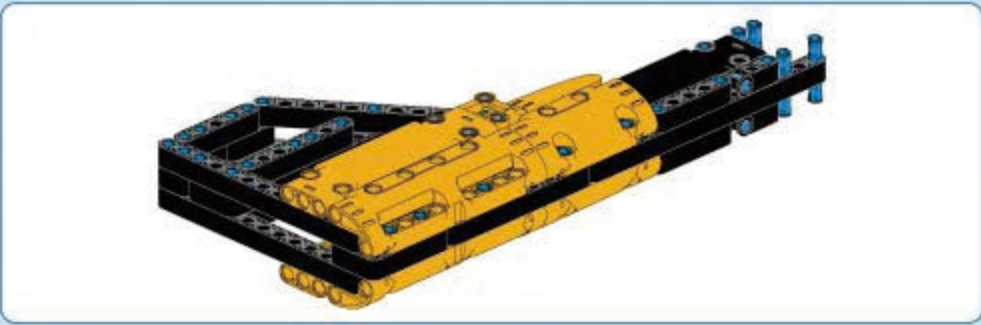
50



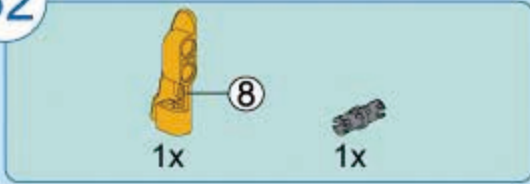
51



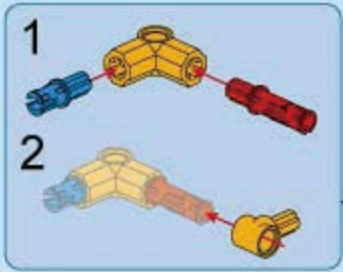




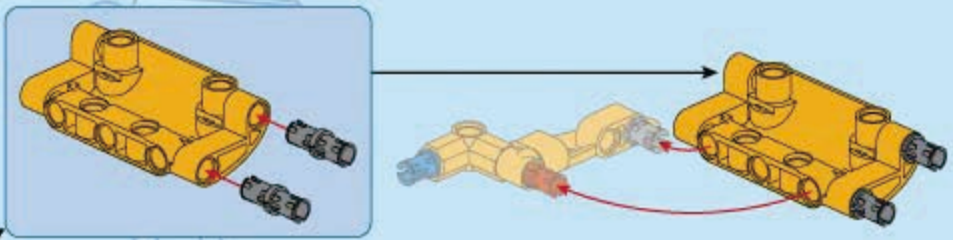
52



53



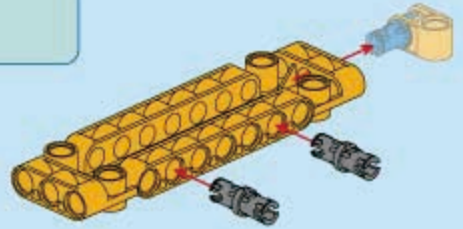
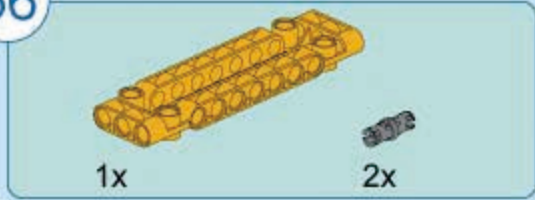
54



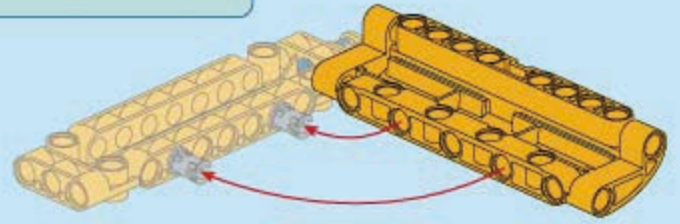
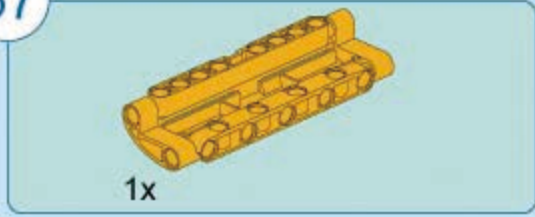
55



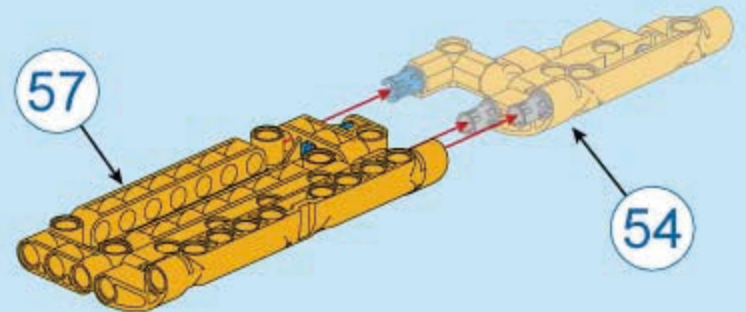
56

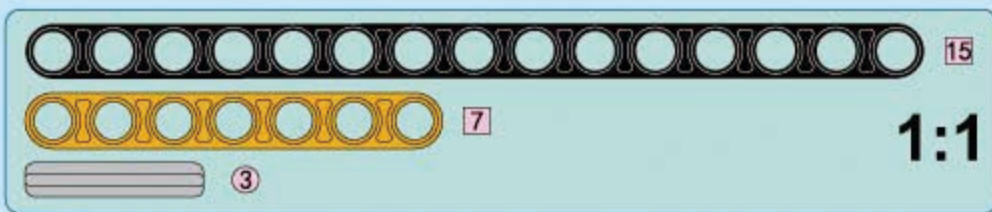


57

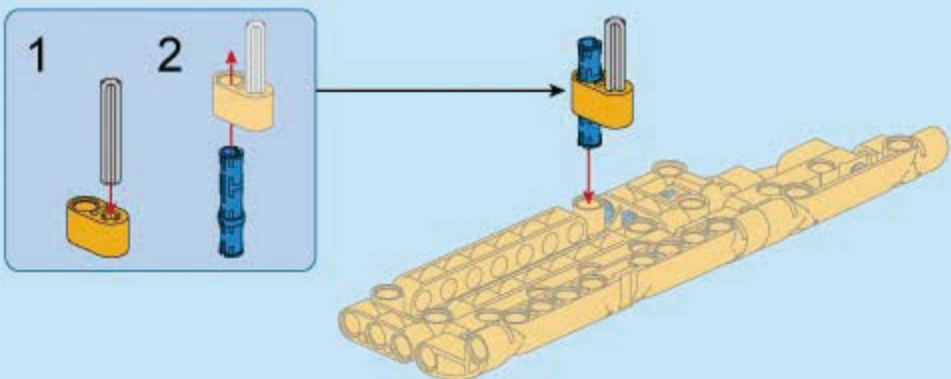
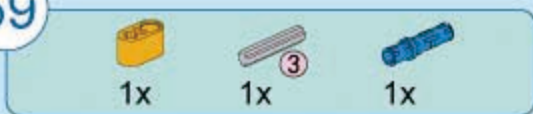


58

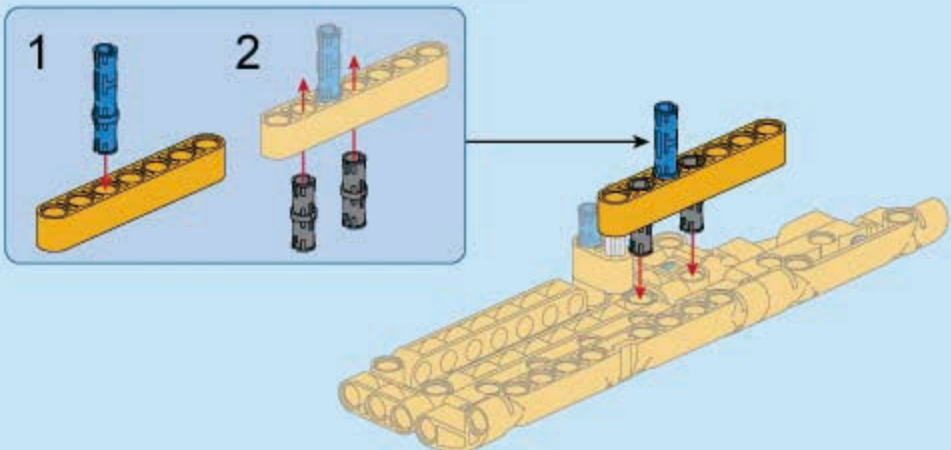
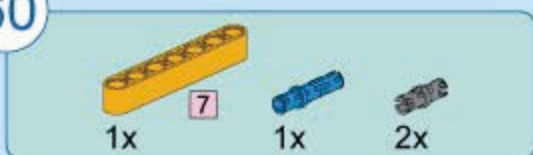




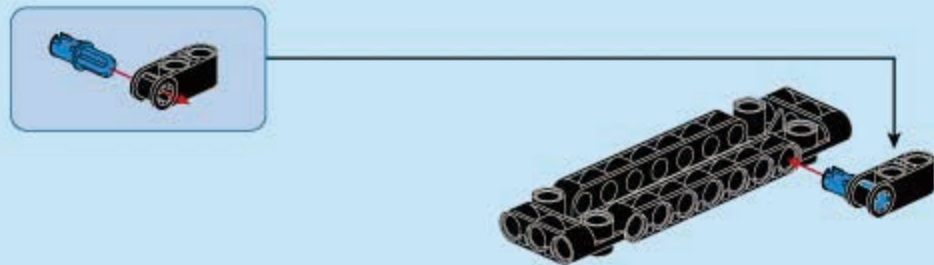
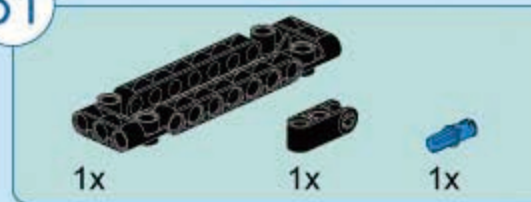
59



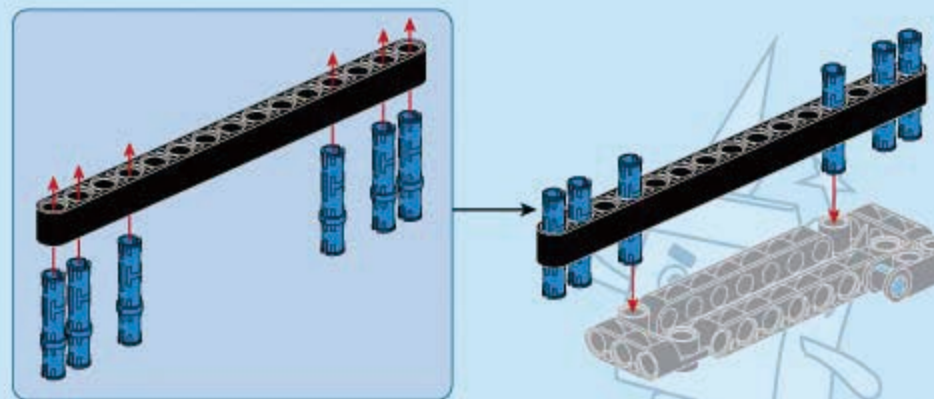
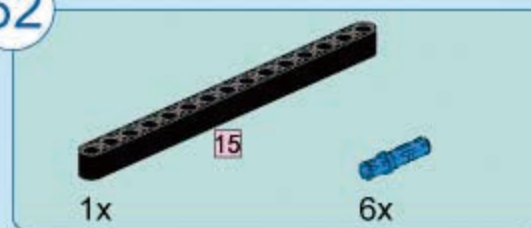
60



61



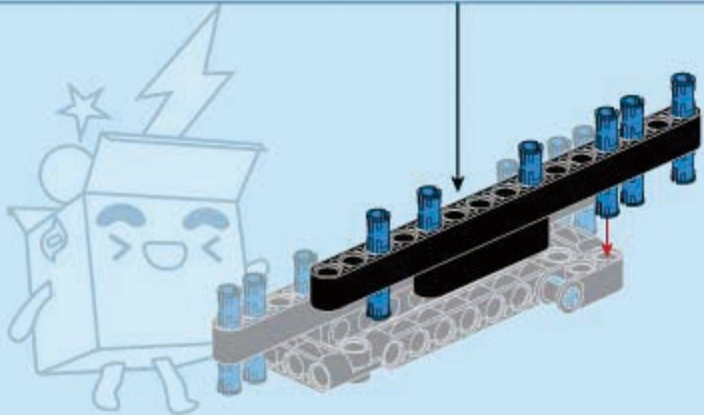
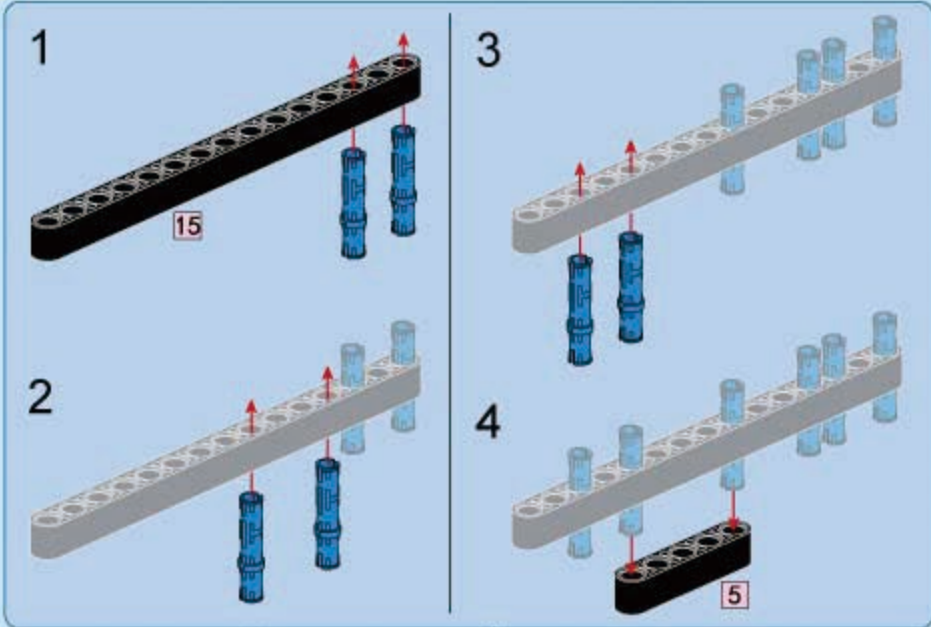
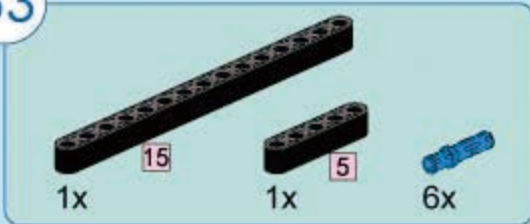
62



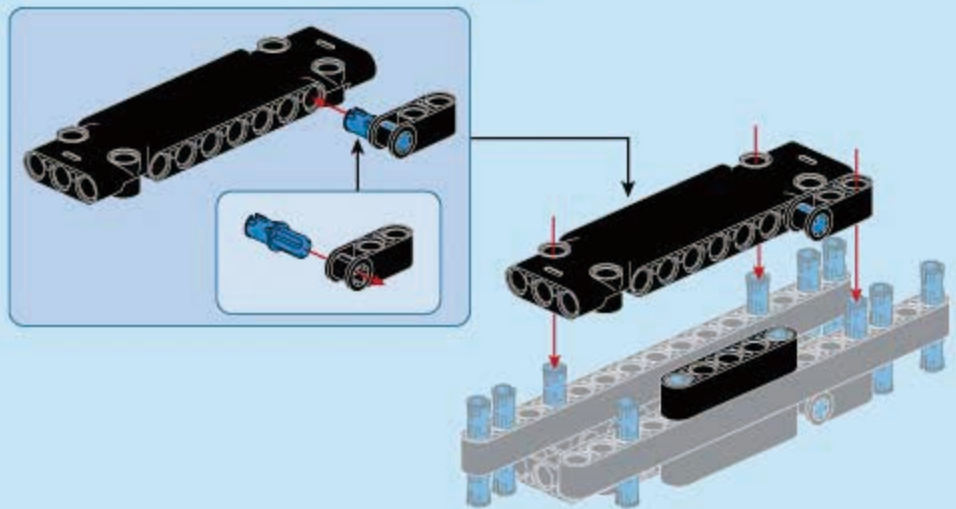
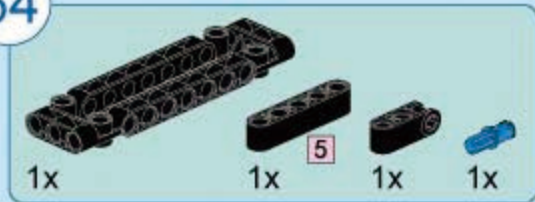




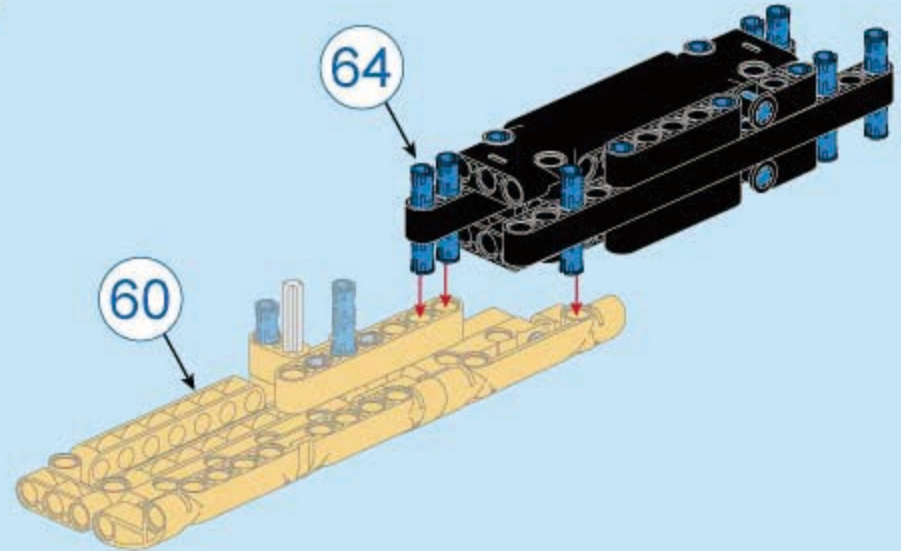
63

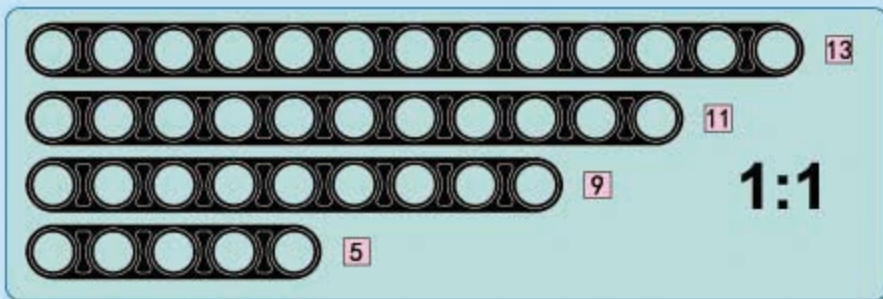


64

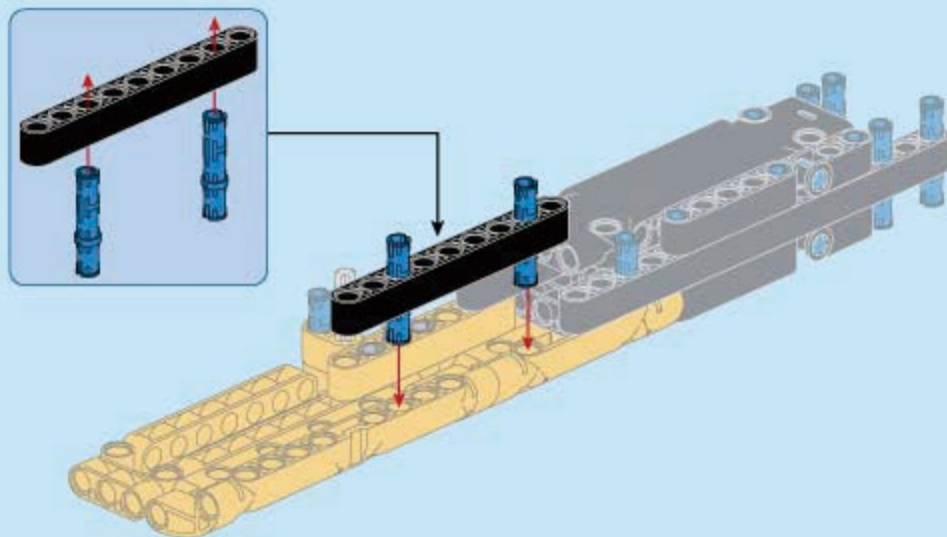


65





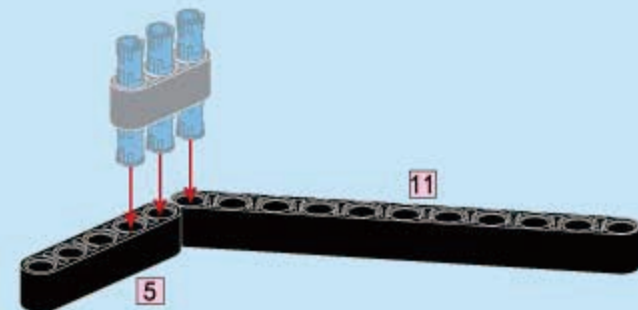
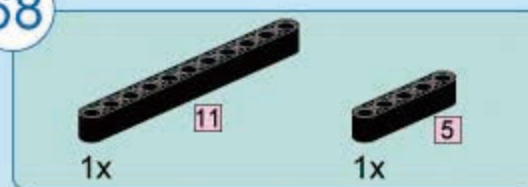
66



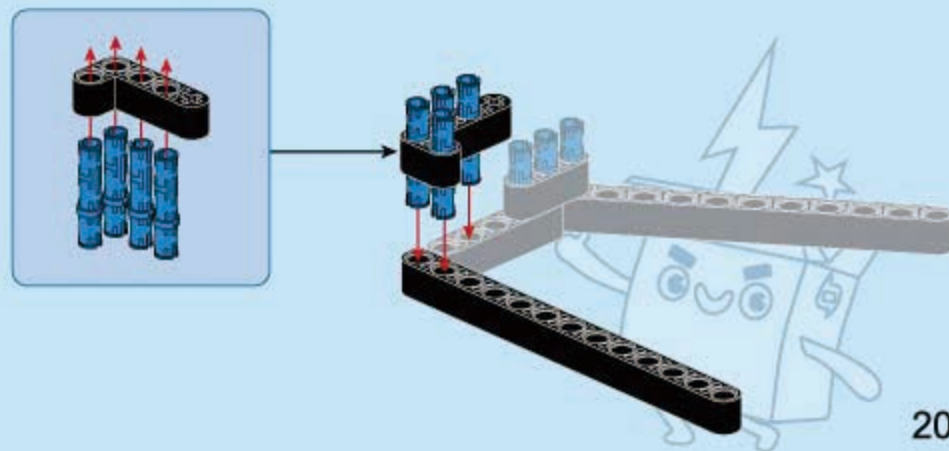
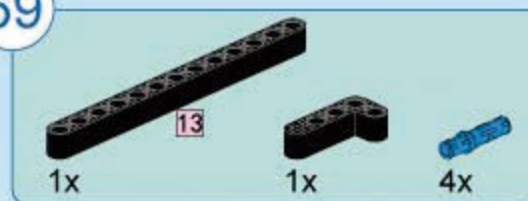
67



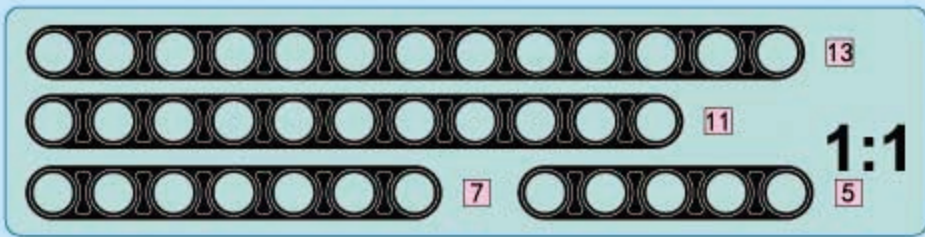
68



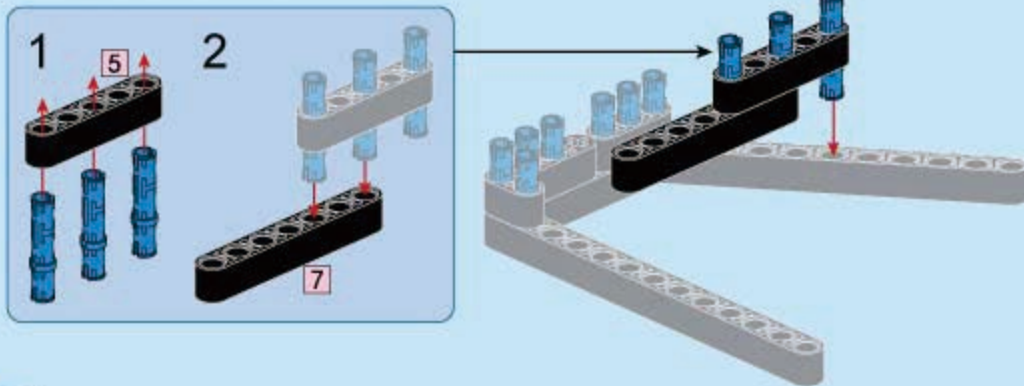
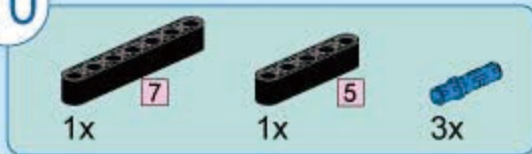
69



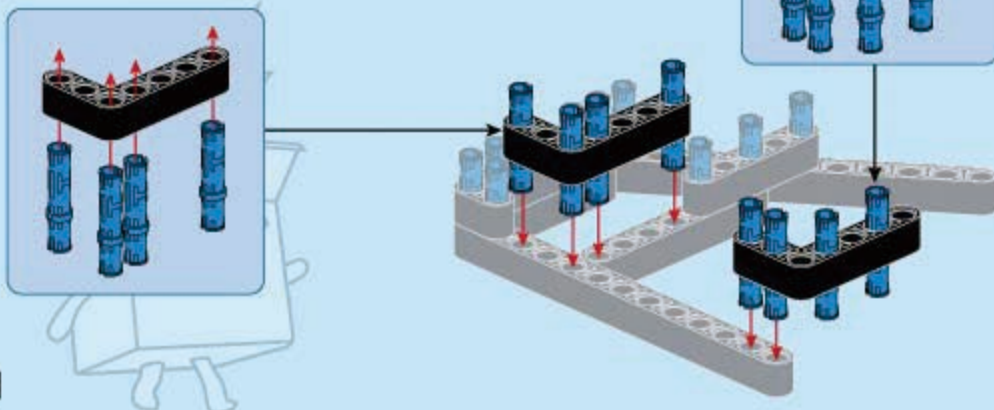




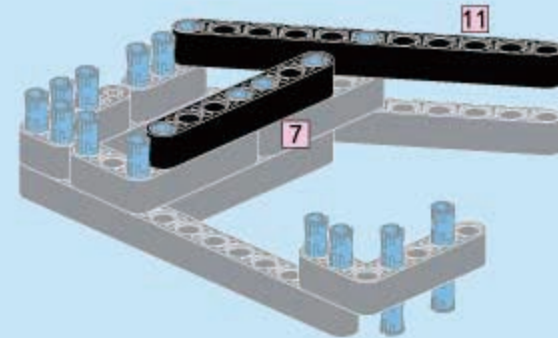
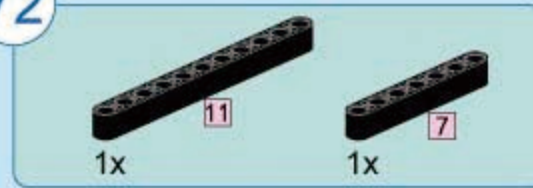
70



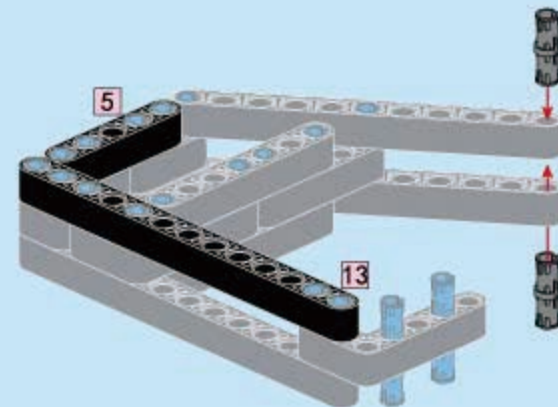
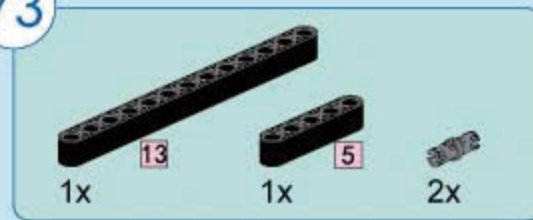
71



72



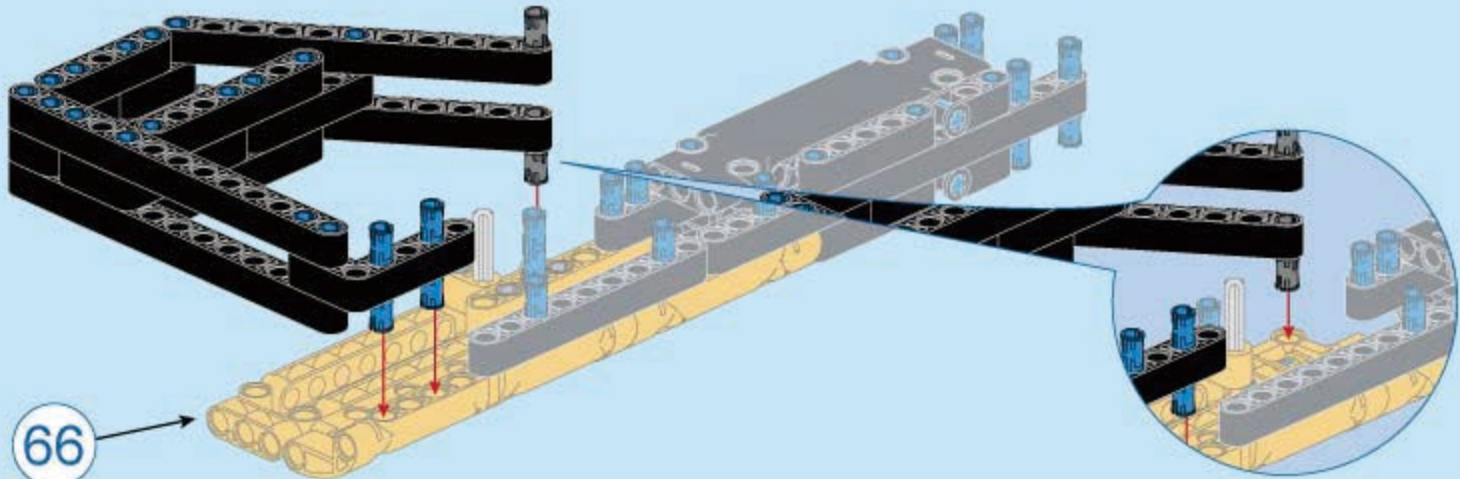
73



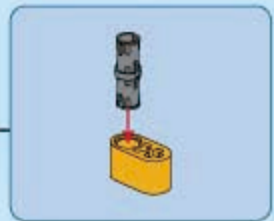
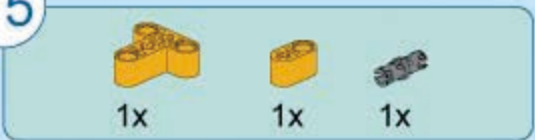
74

73

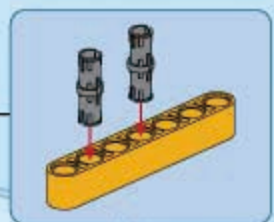
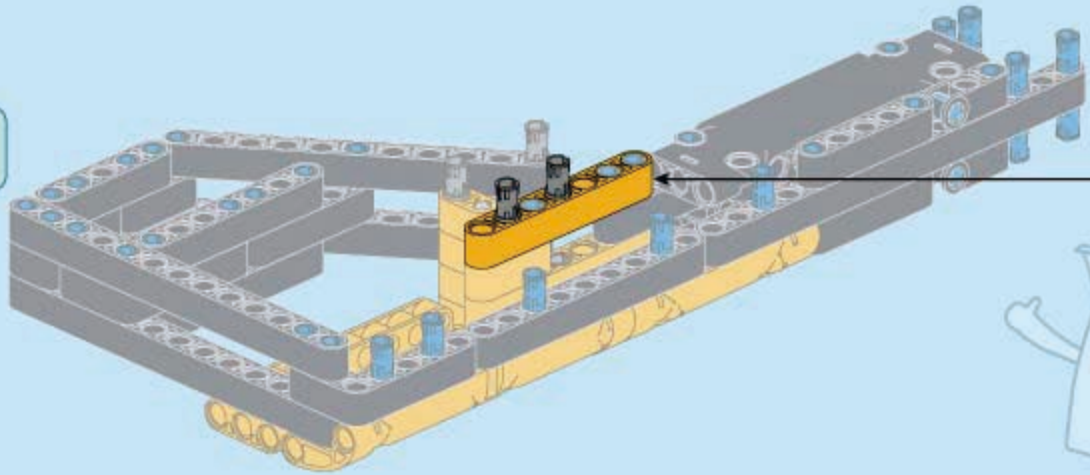
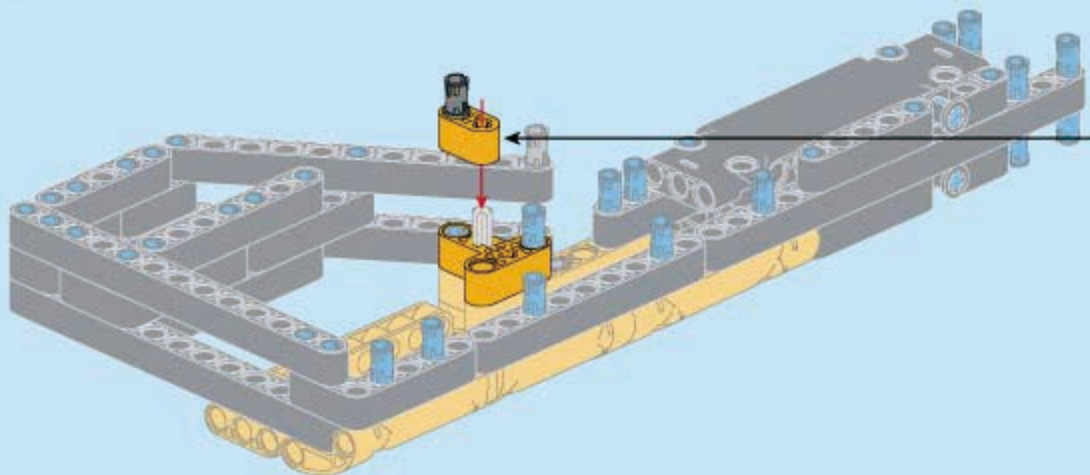
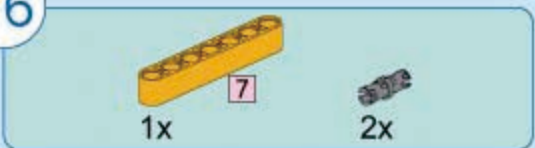
66



75



76





**77**

⑦

1x 1x

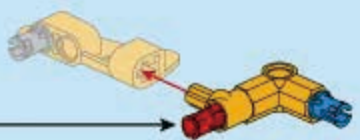


**78**

1x 1x 1x 1x

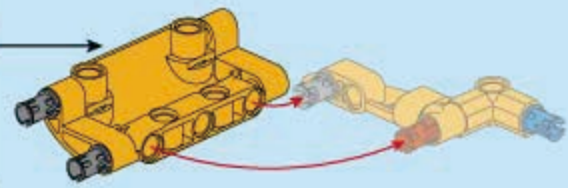
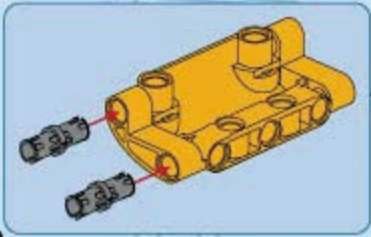
1

2



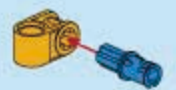
**79**

1x 2x



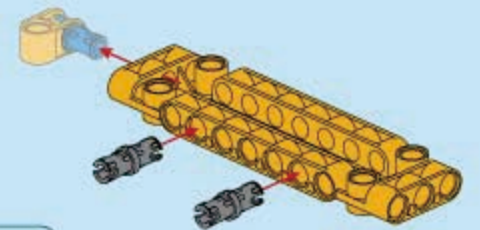
**80**

1x 1x



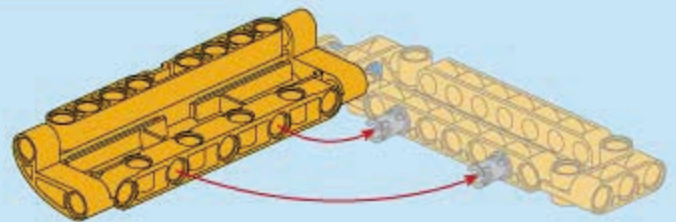
**81**

1x 2x



**82**

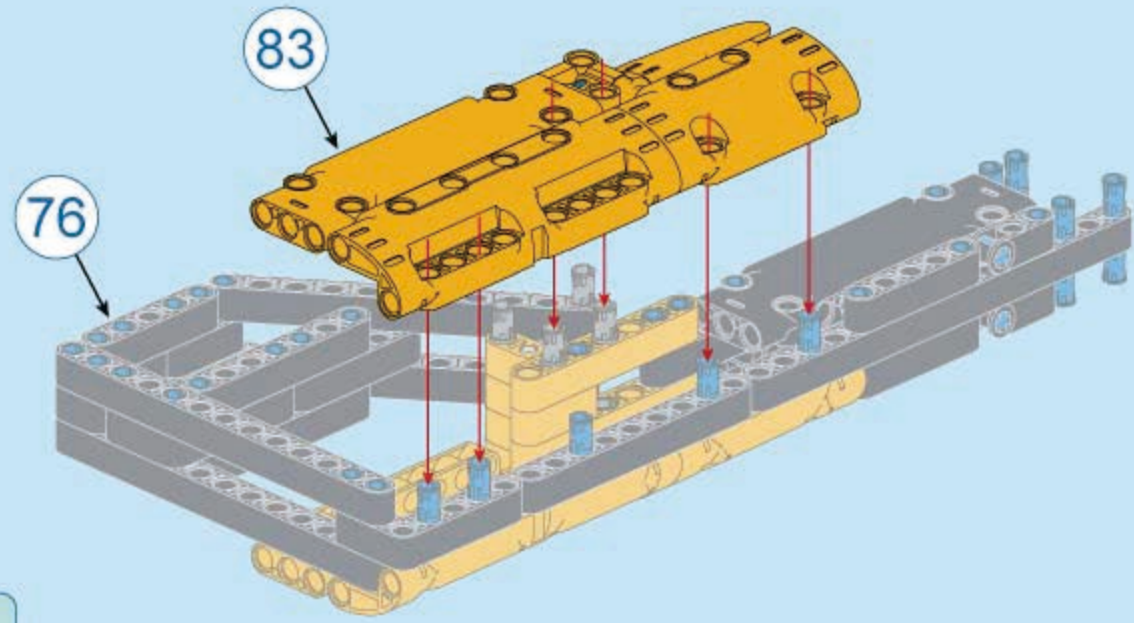
1x



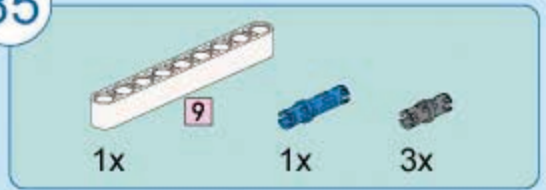
**83**

79 82

84

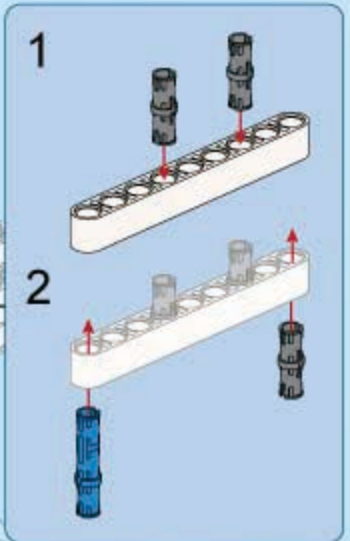
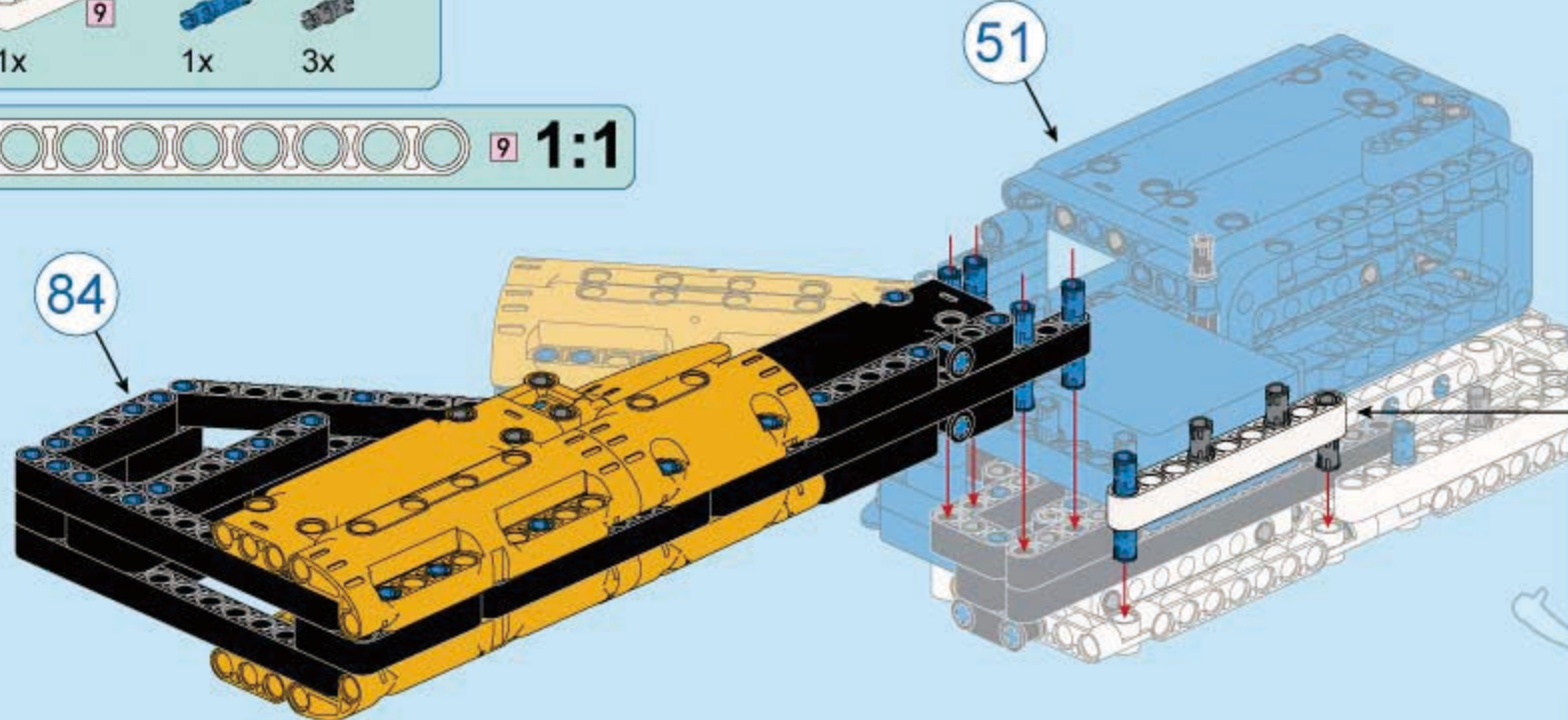


85



51

84





86



1x



1x



1x

5

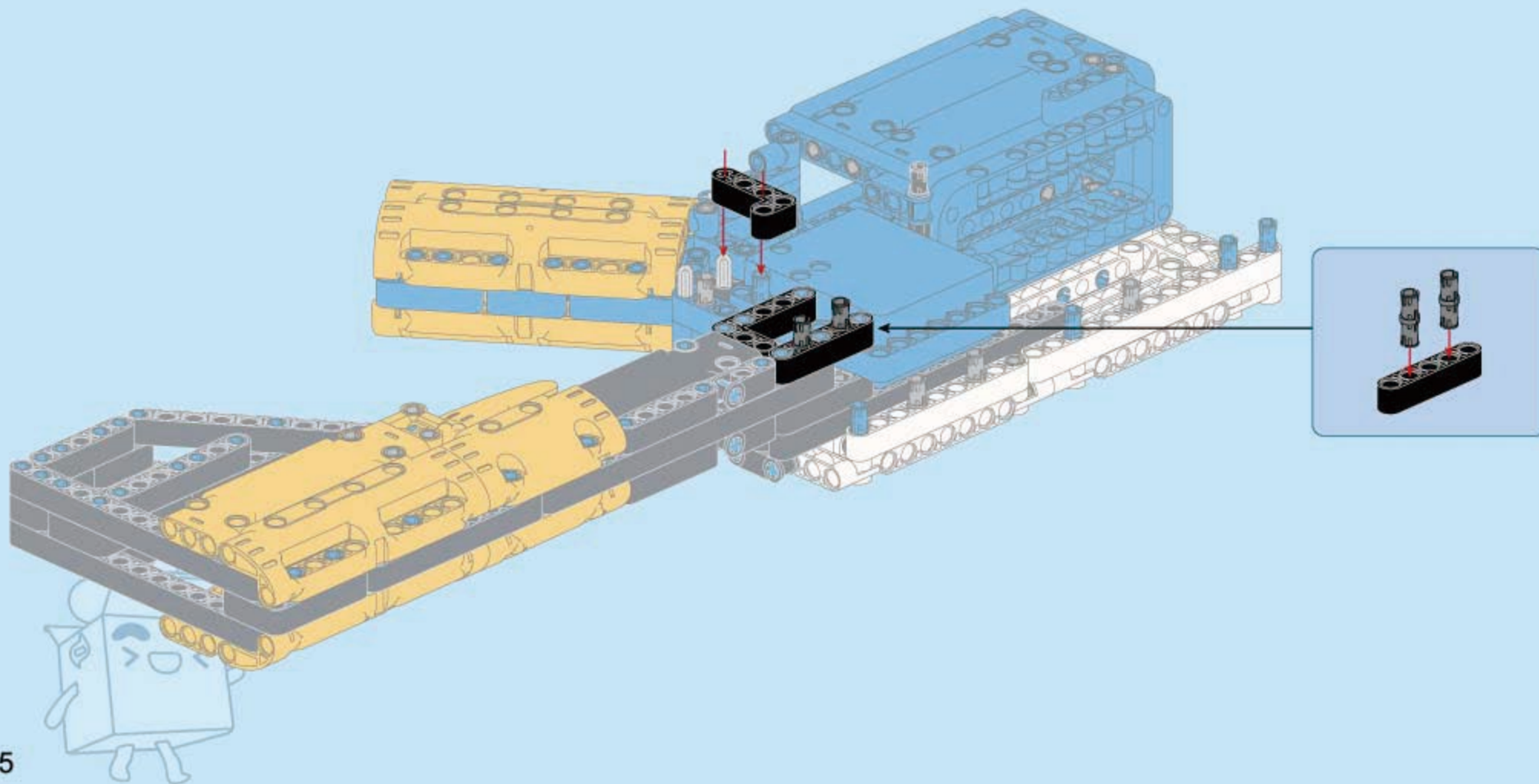


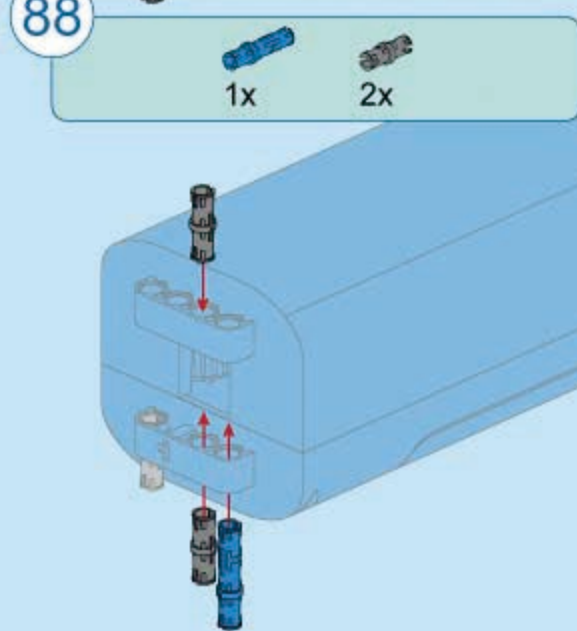
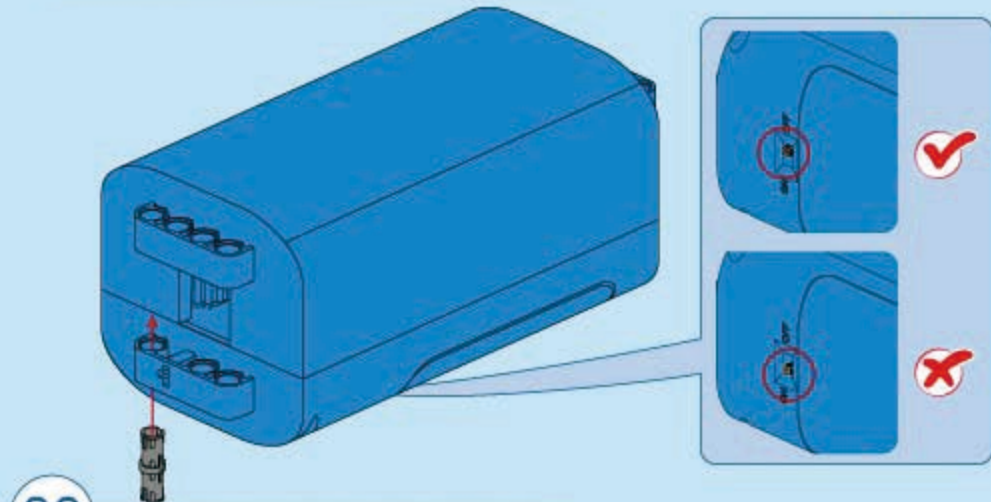
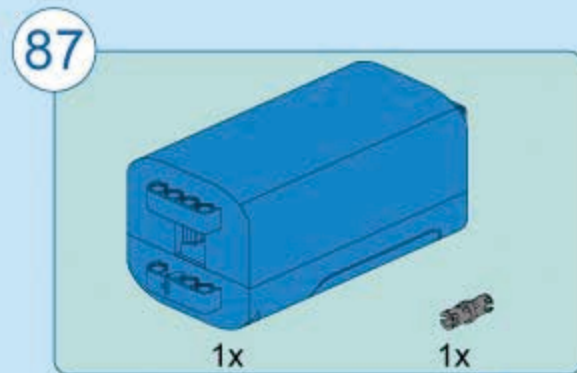
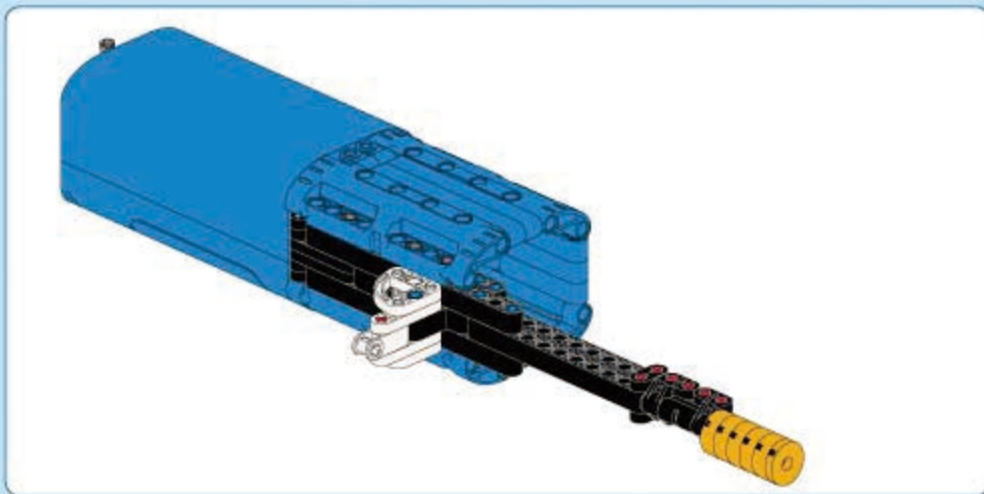
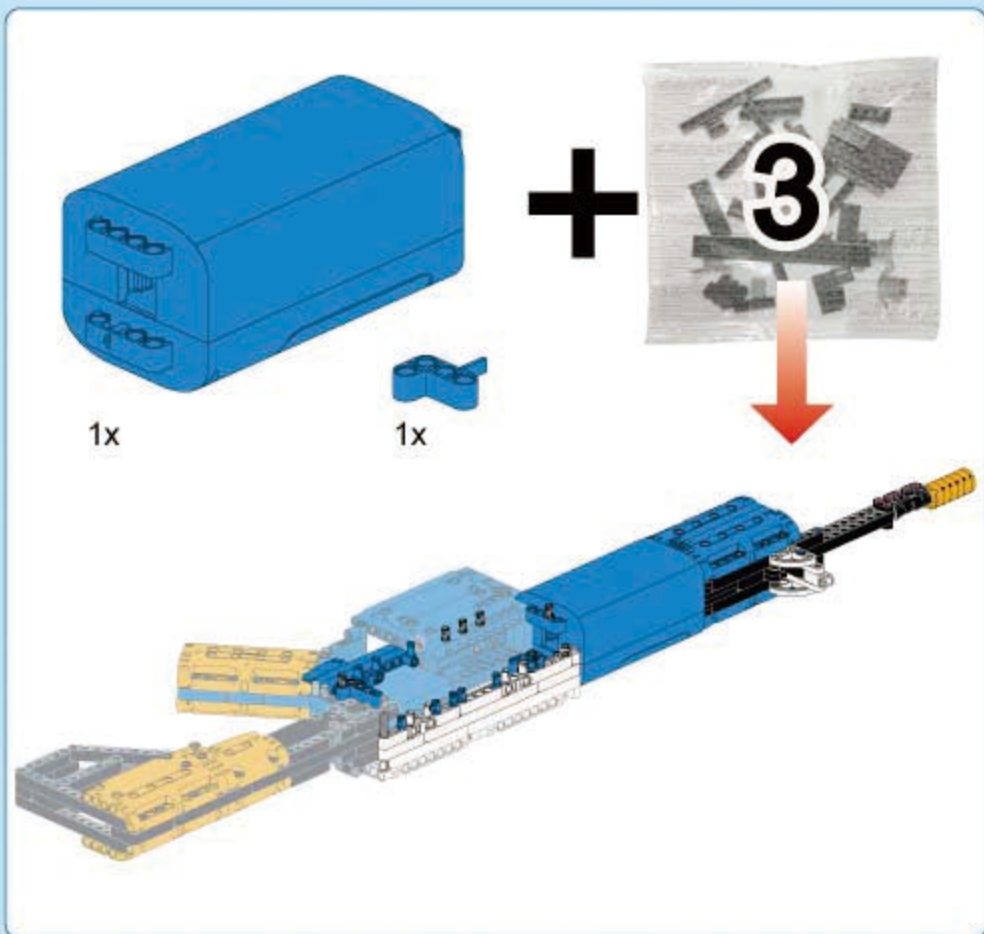
2x



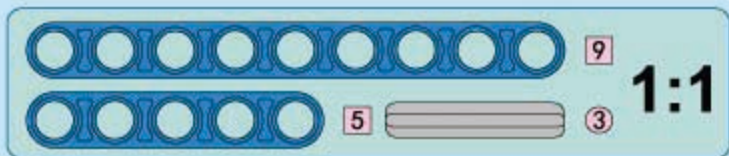
5

1:1

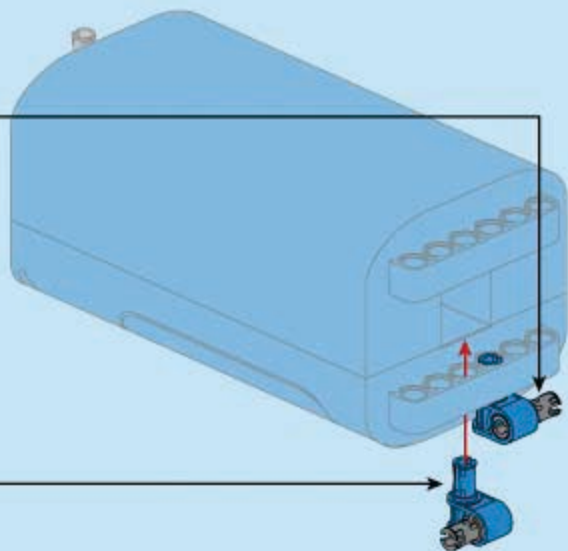
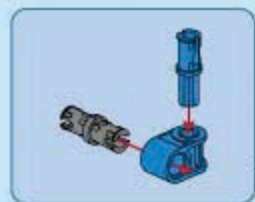




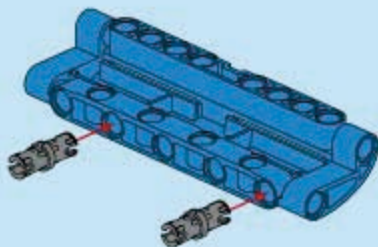
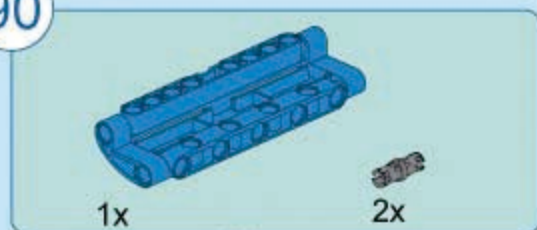




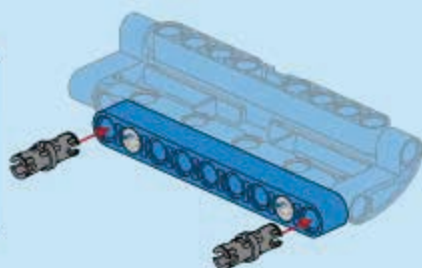
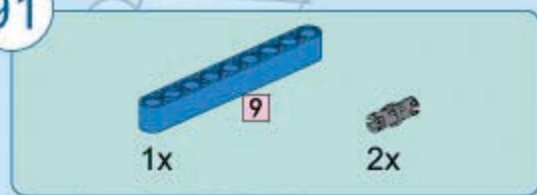
89



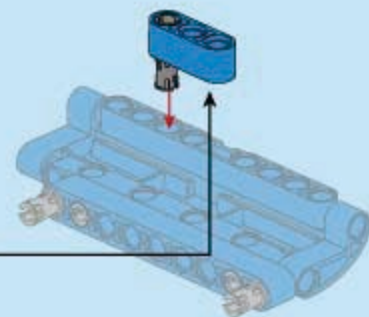
90



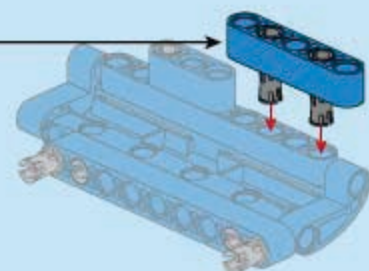
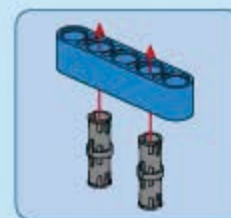
91



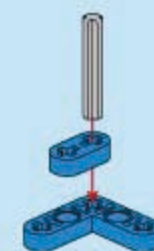
92



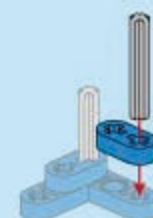
93

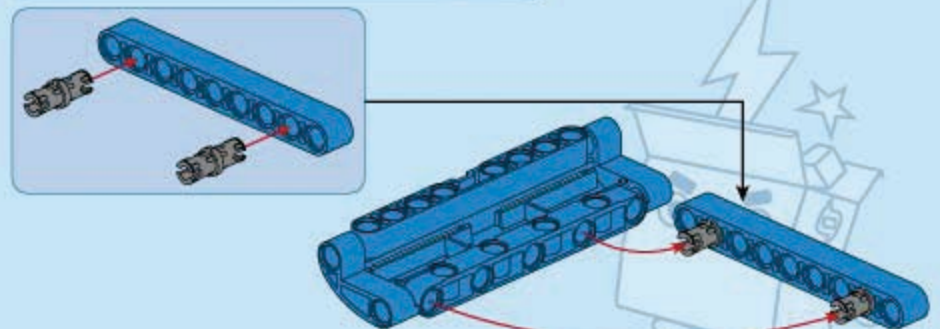
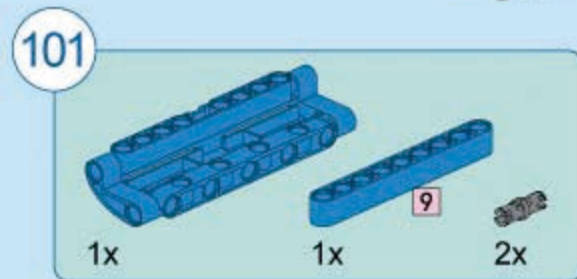
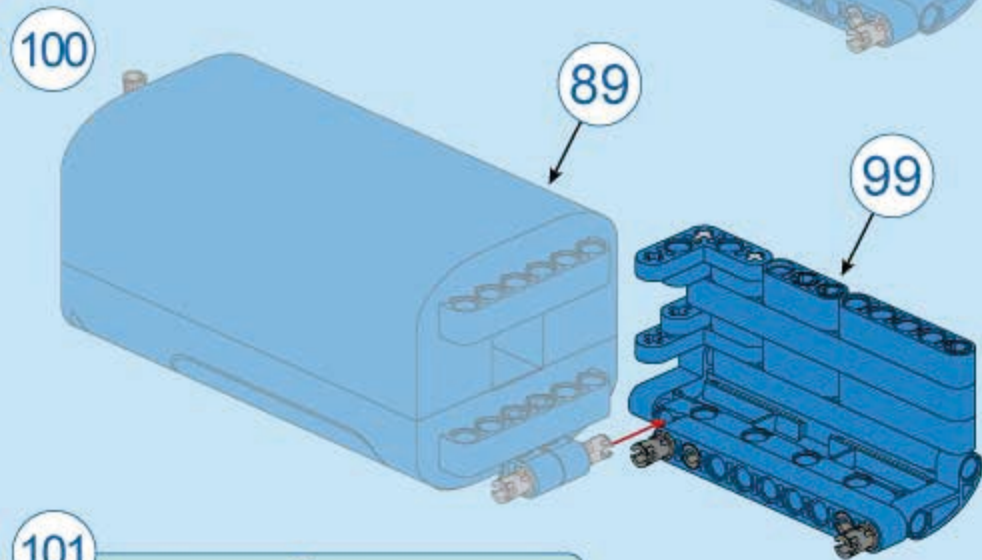
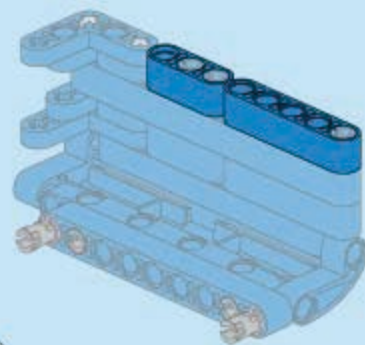
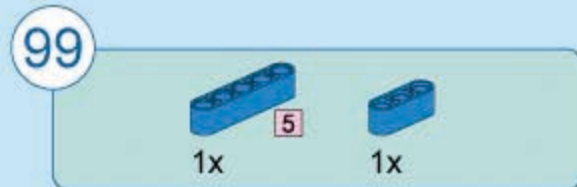
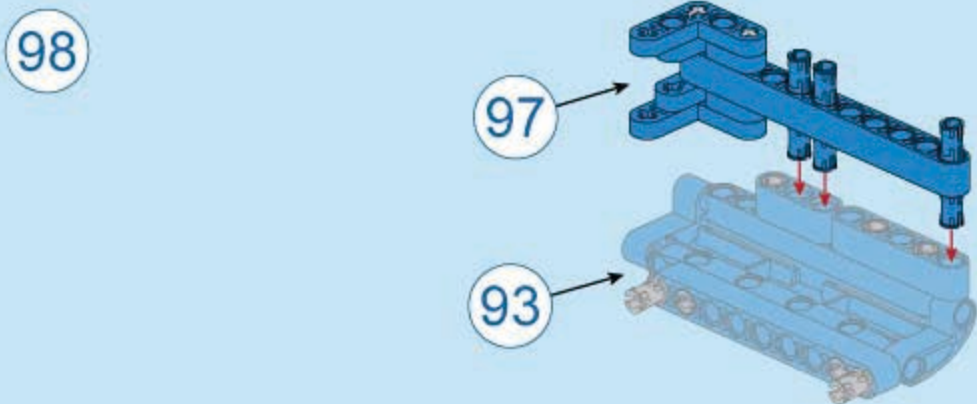
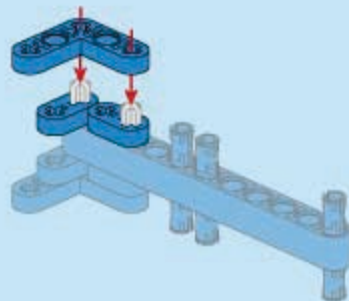
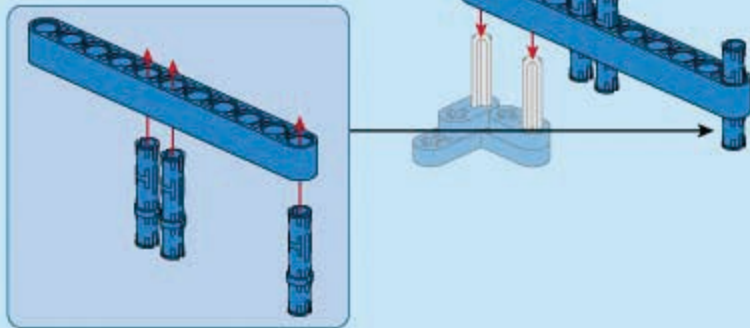
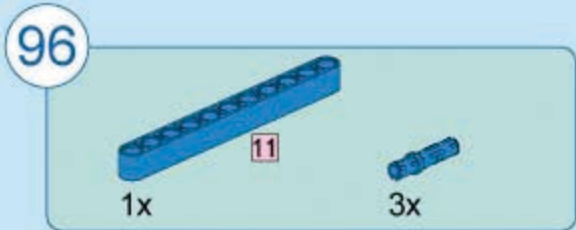
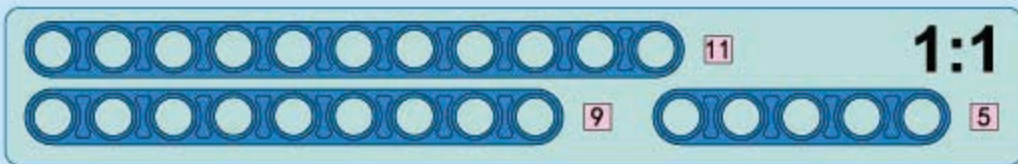


94

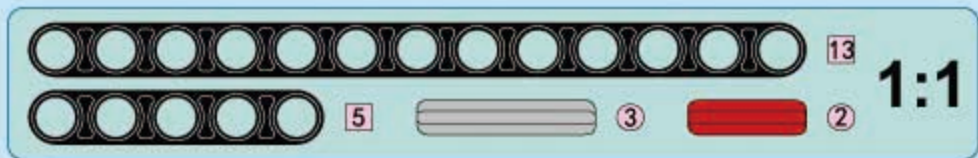


95

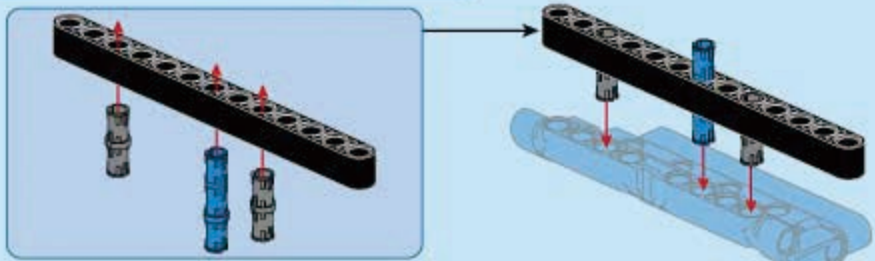




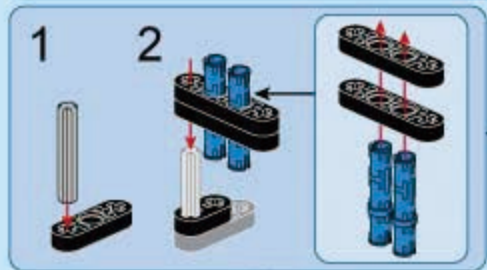




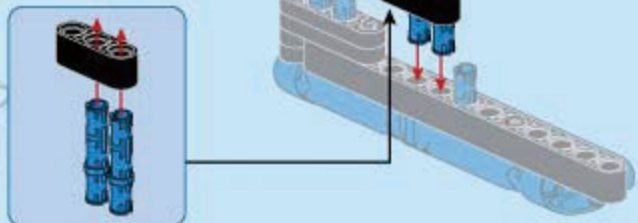
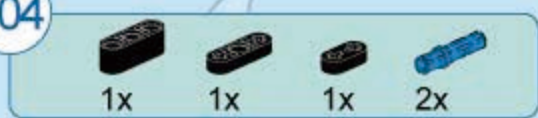
102



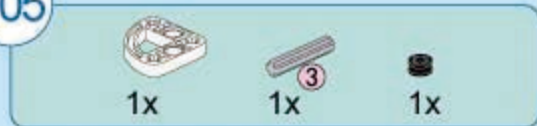
103



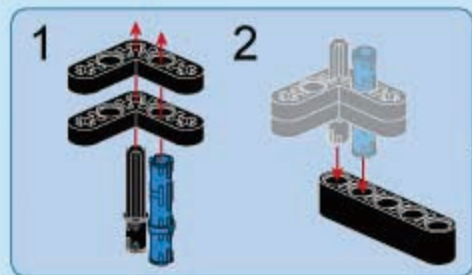
104



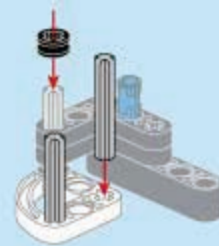
105



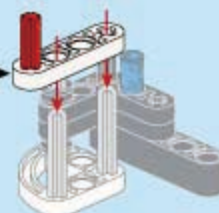
106

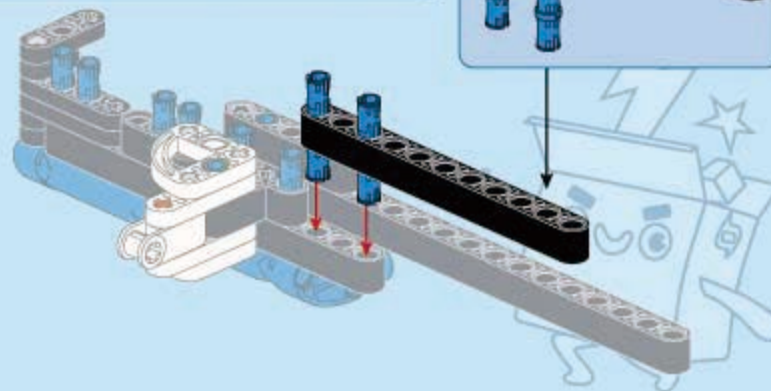
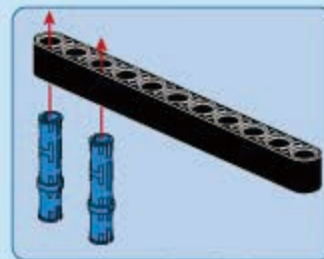
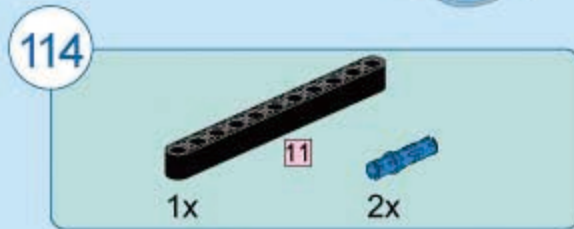
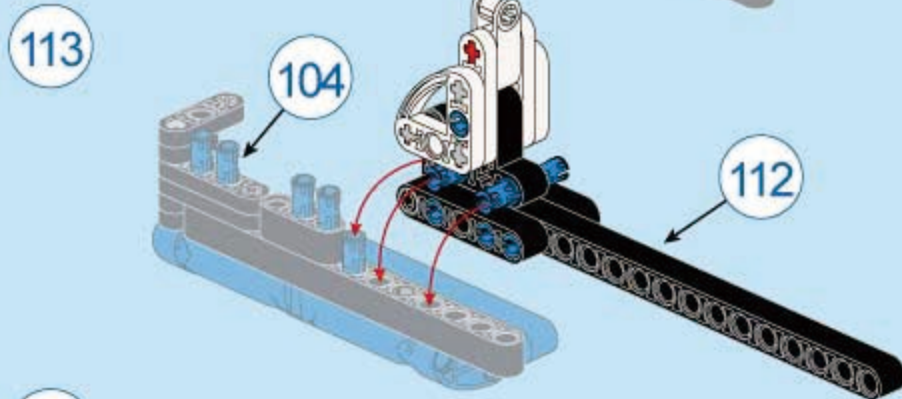
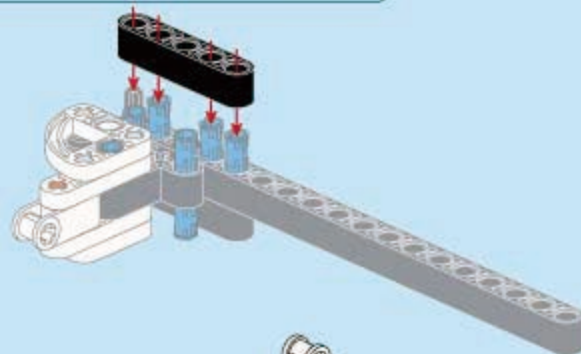
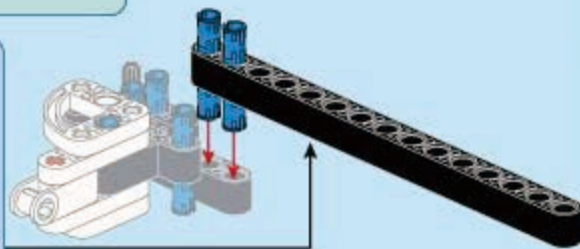
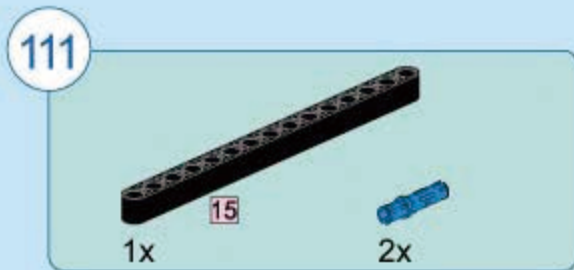
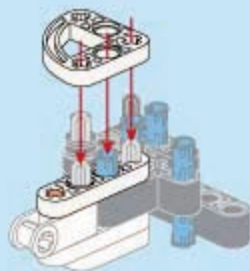
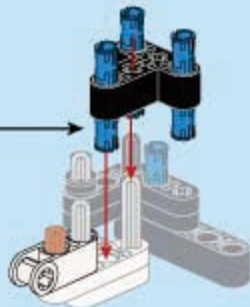
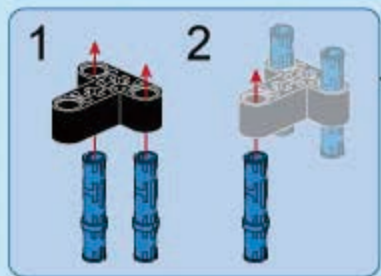
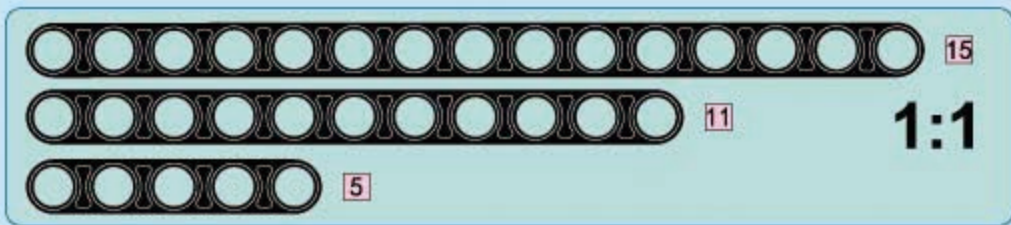


107



108

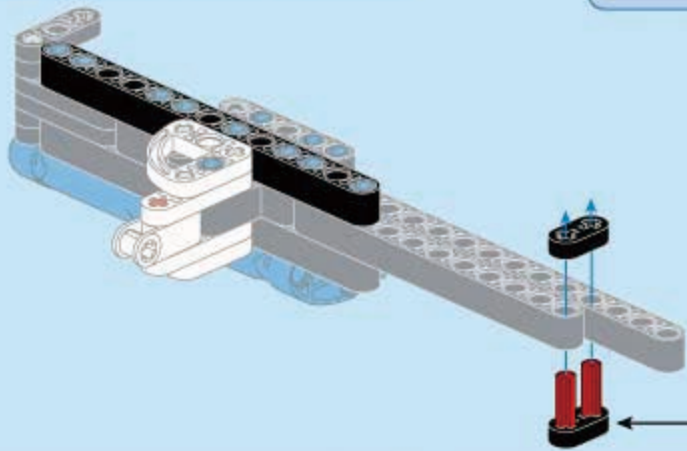




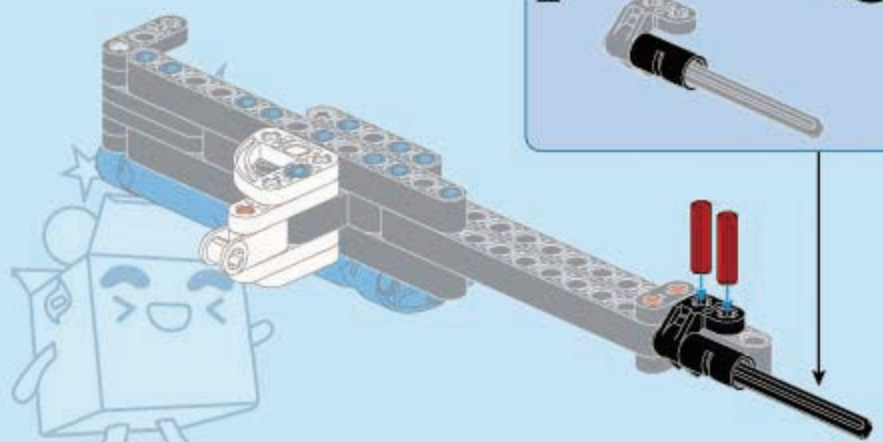




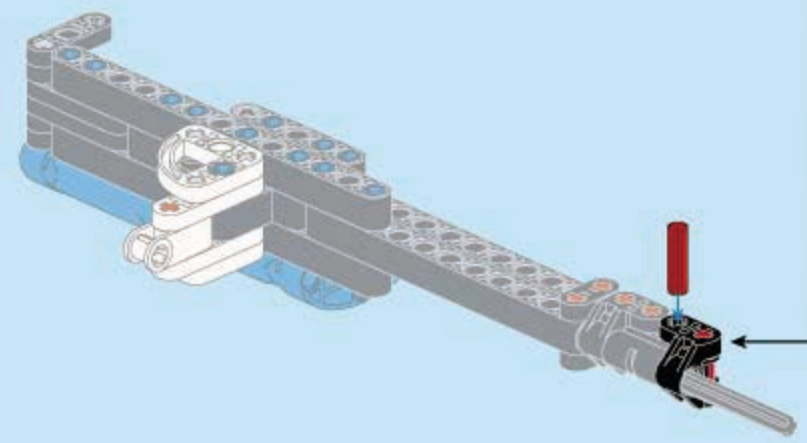
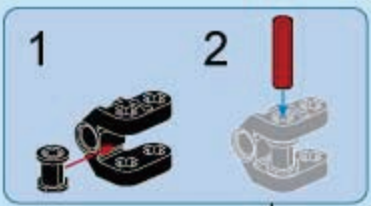
115



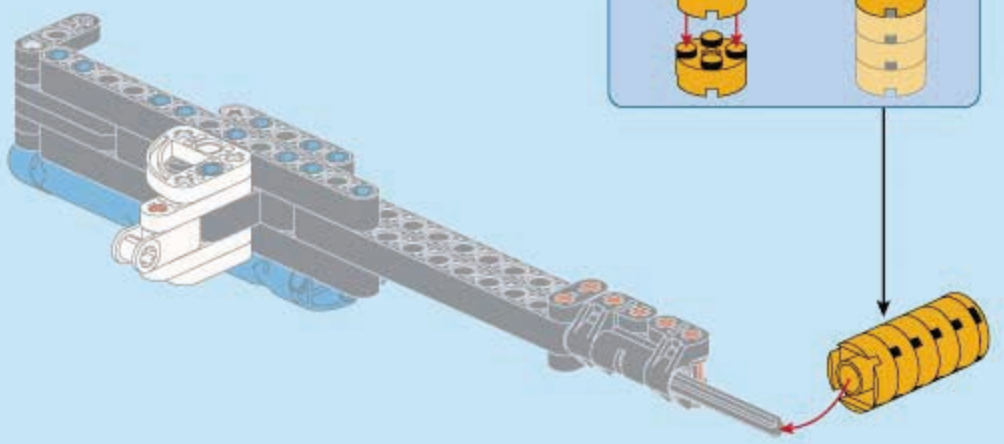
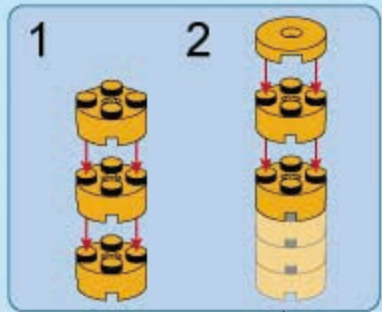
116



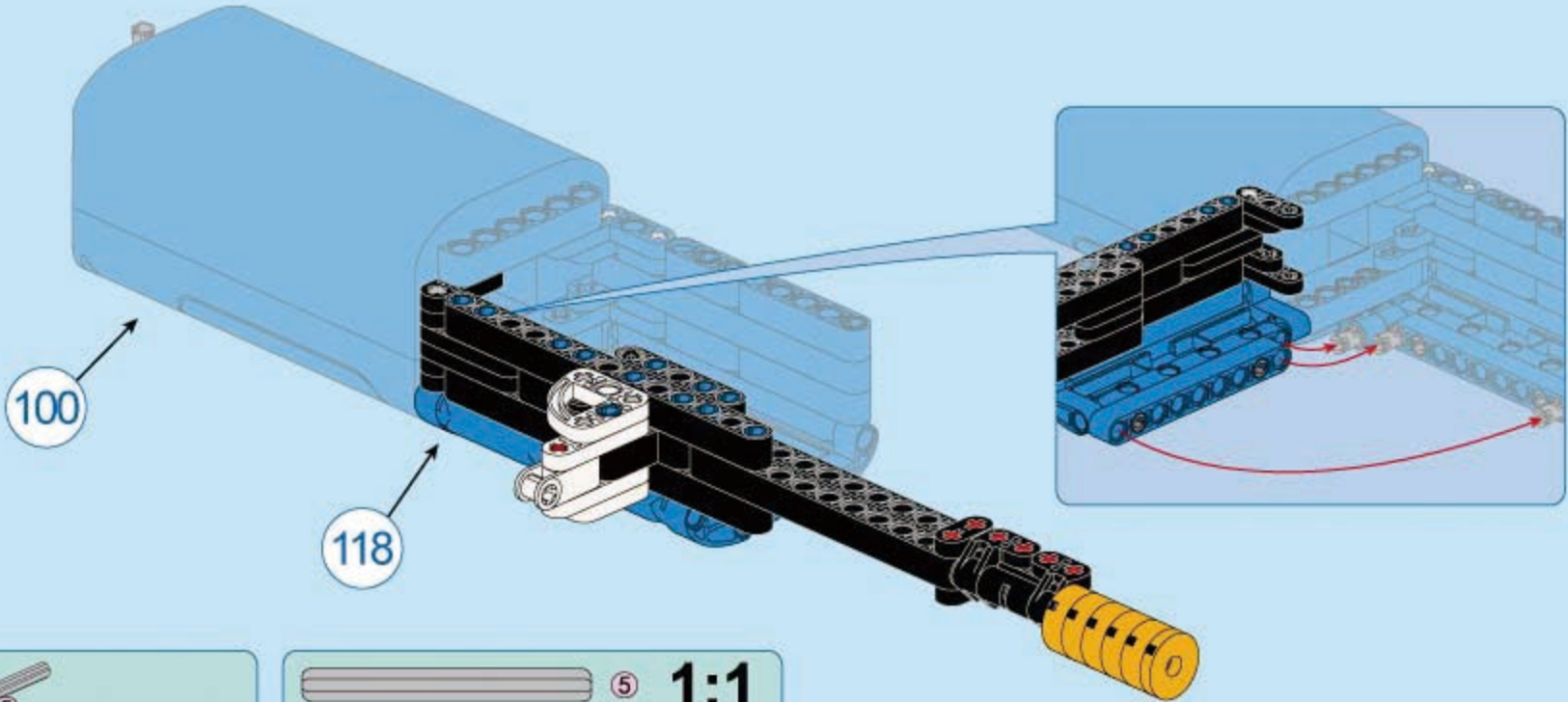
117



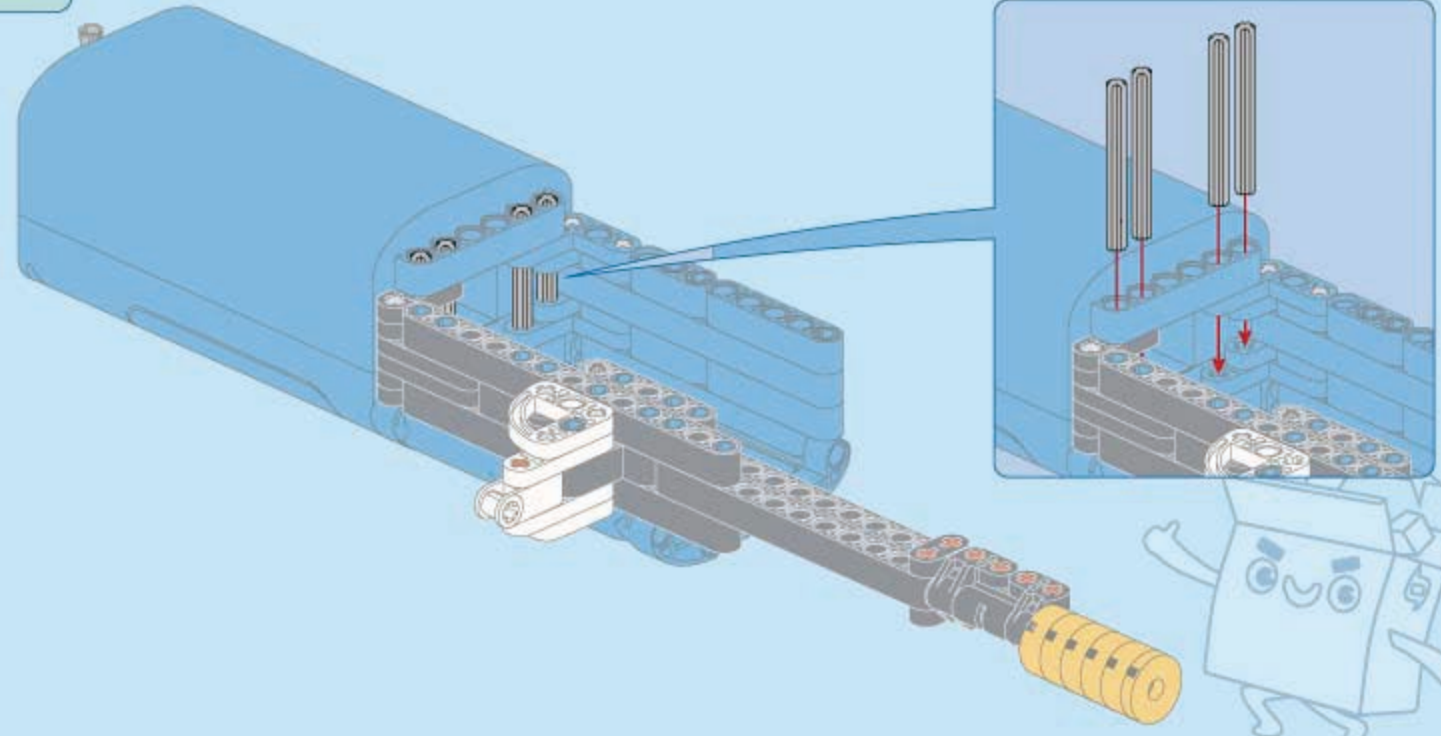
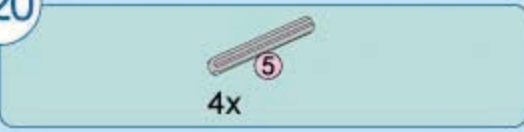
118



119



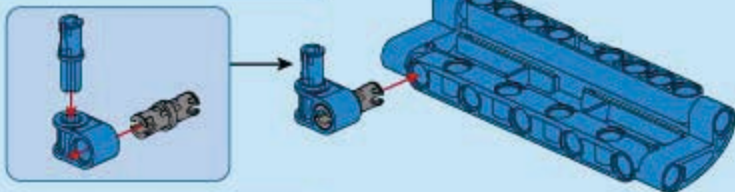
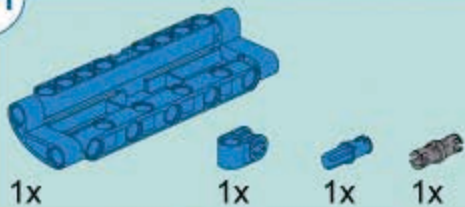
120



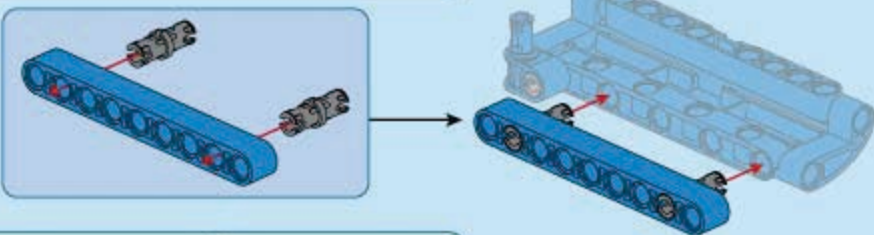


9 1:1

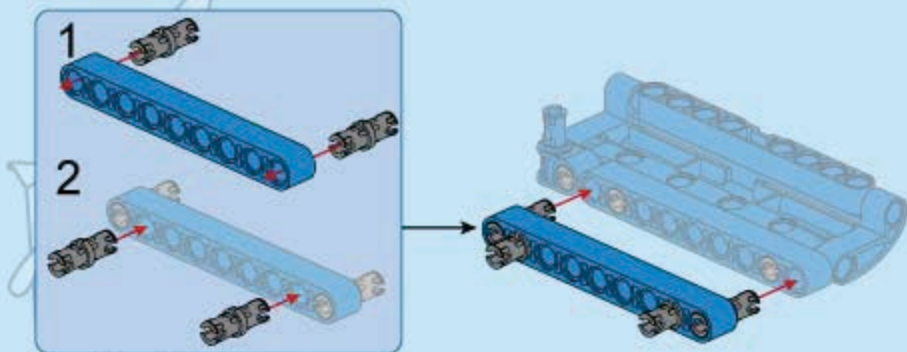
121



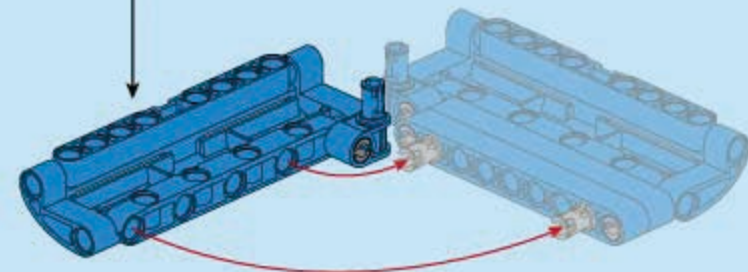
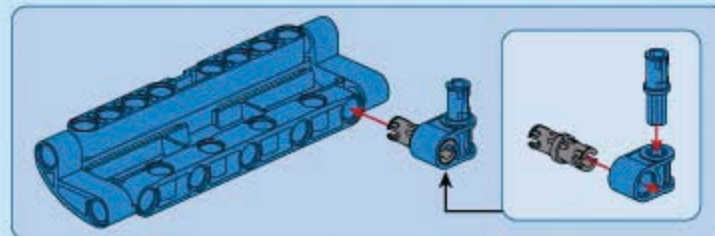
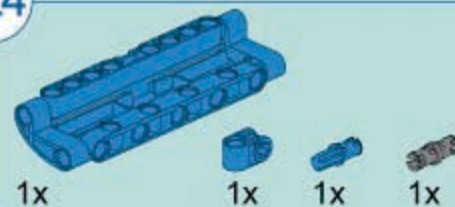
122



123

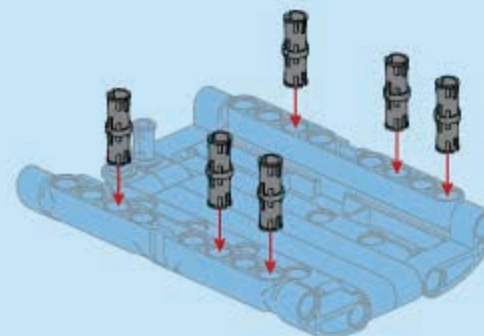


124

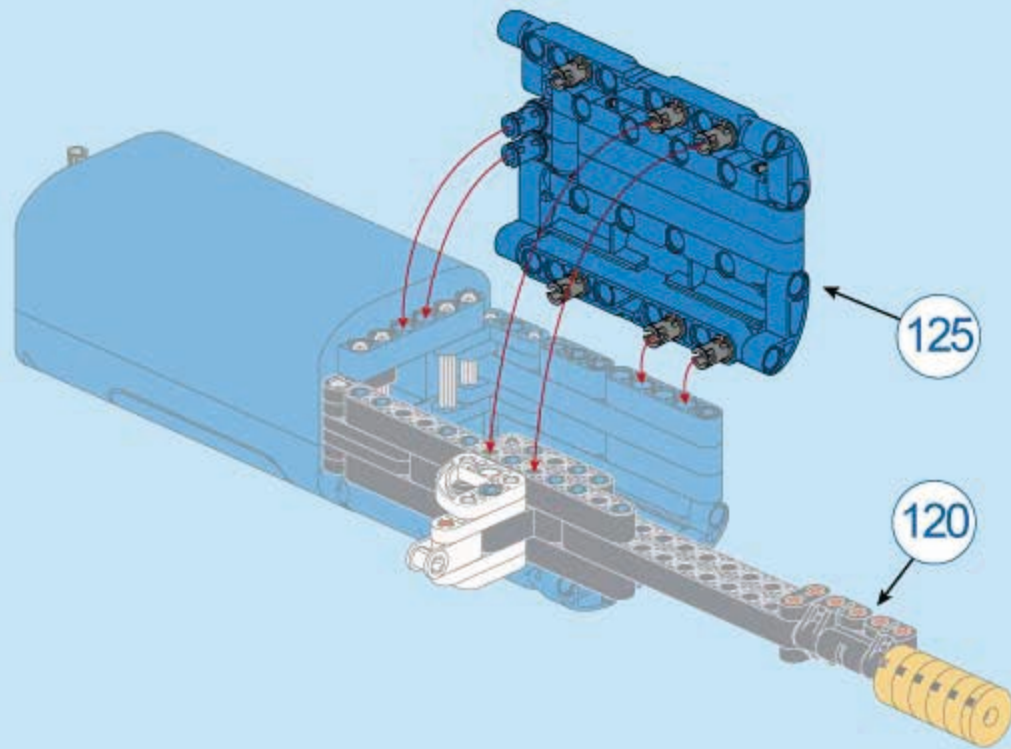


125

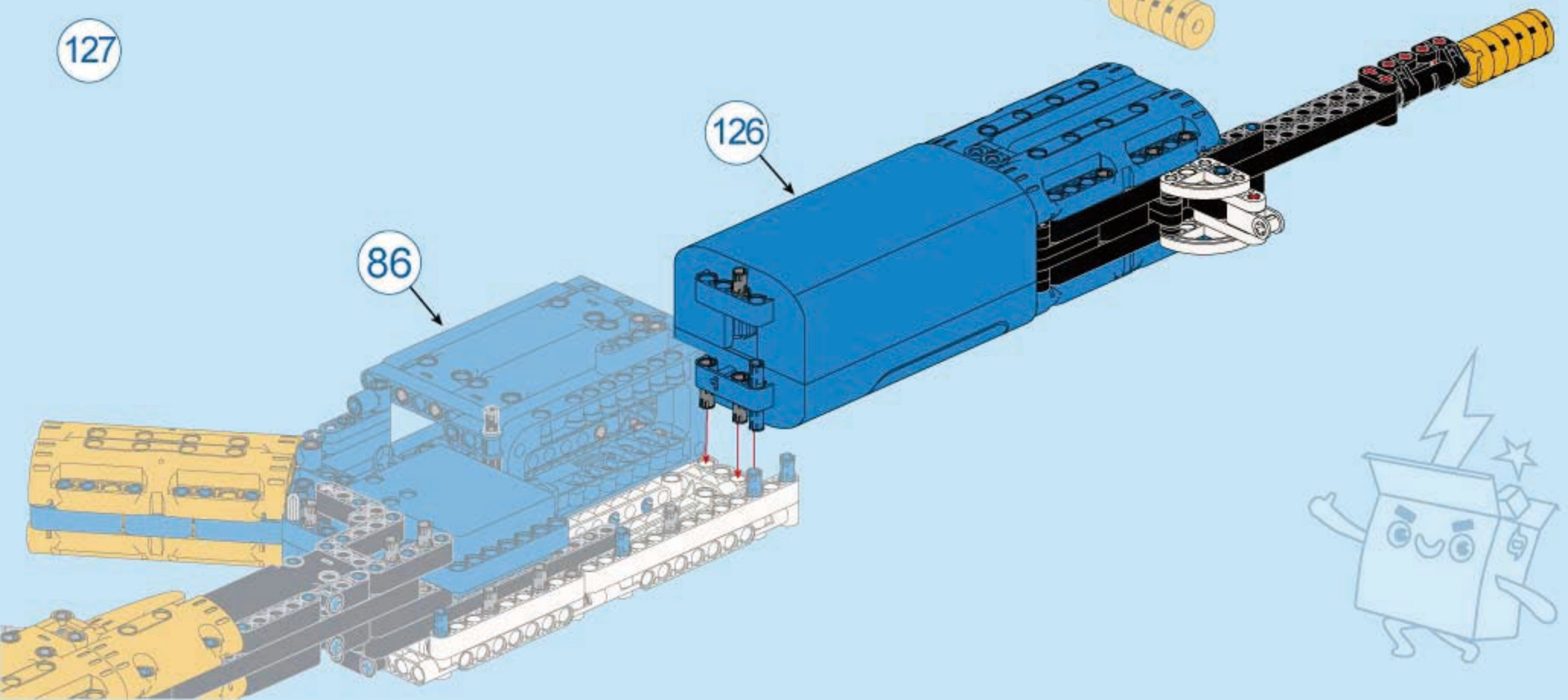
6x



126



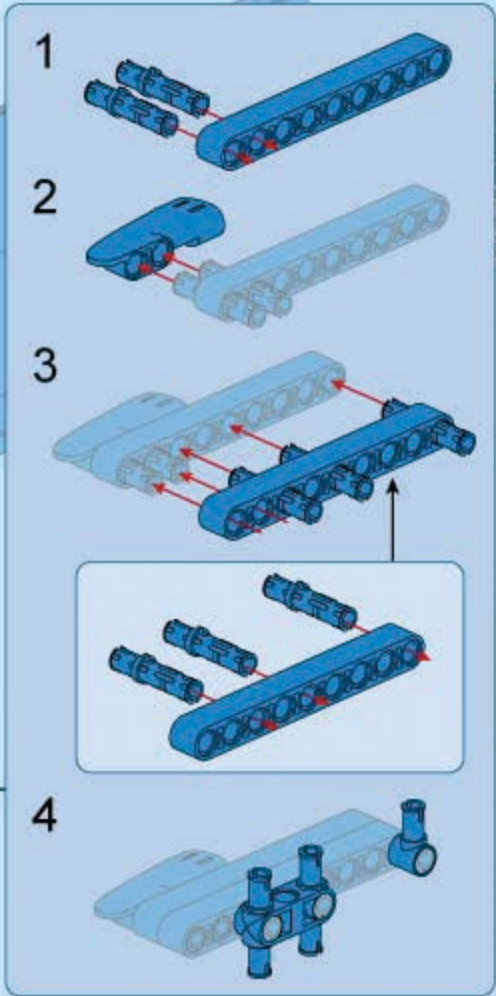
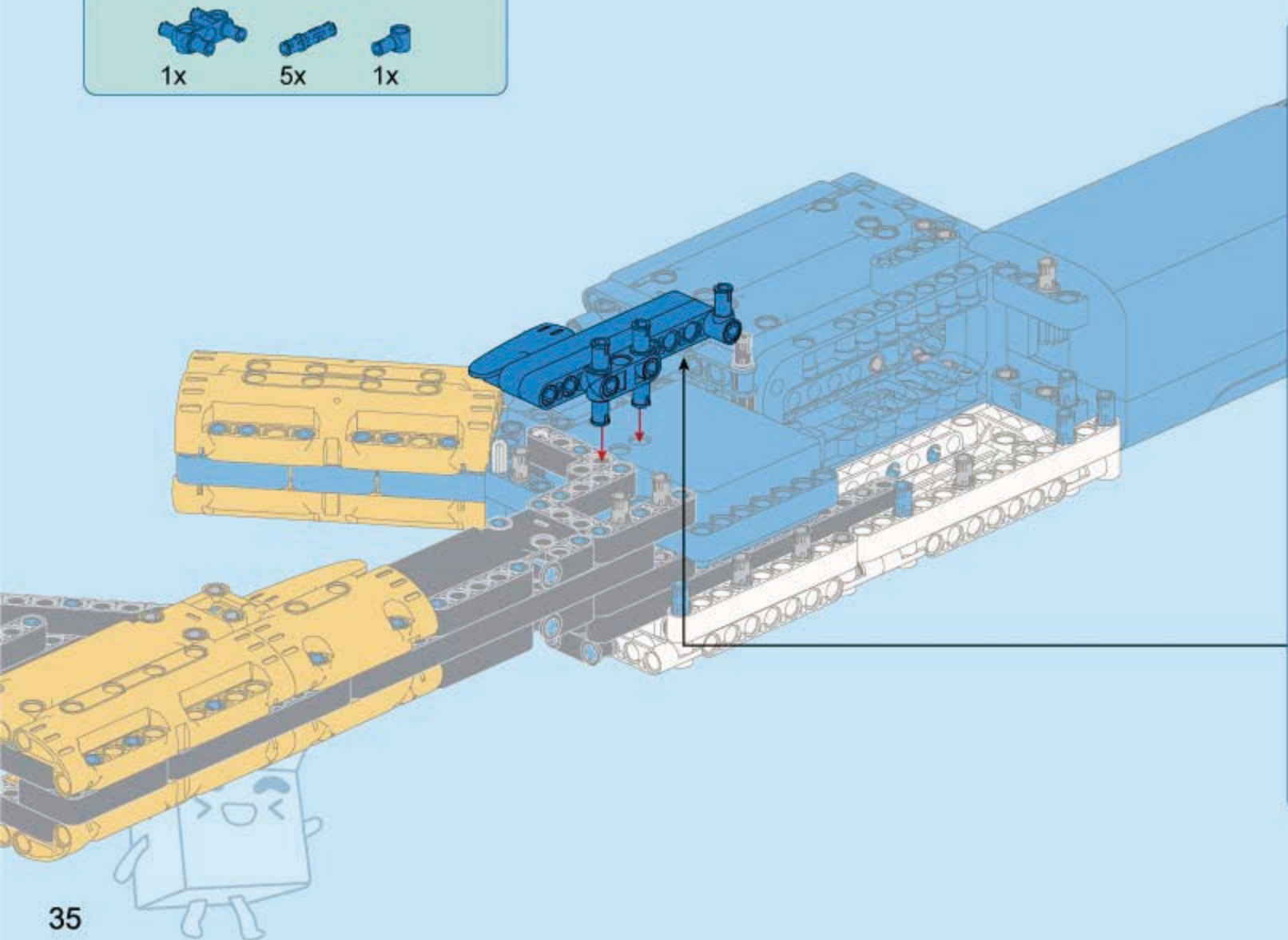
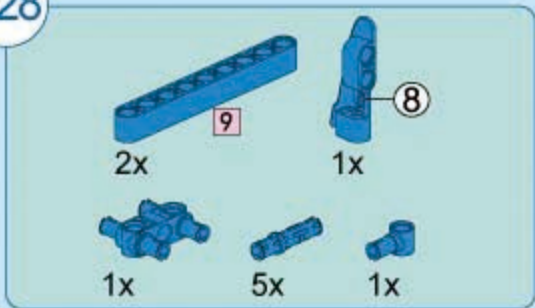
127





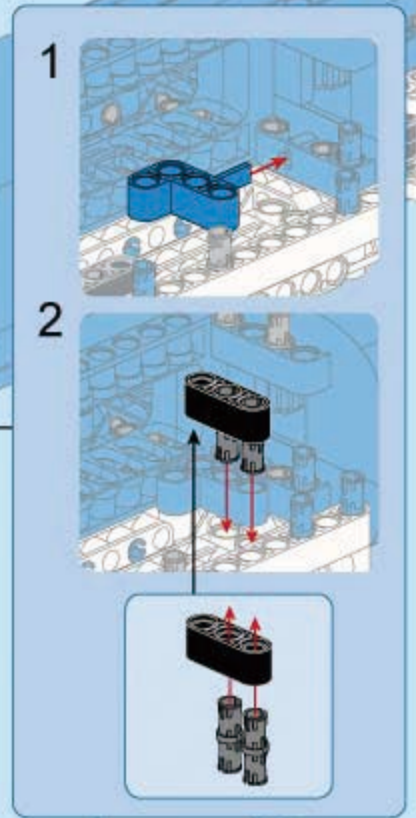
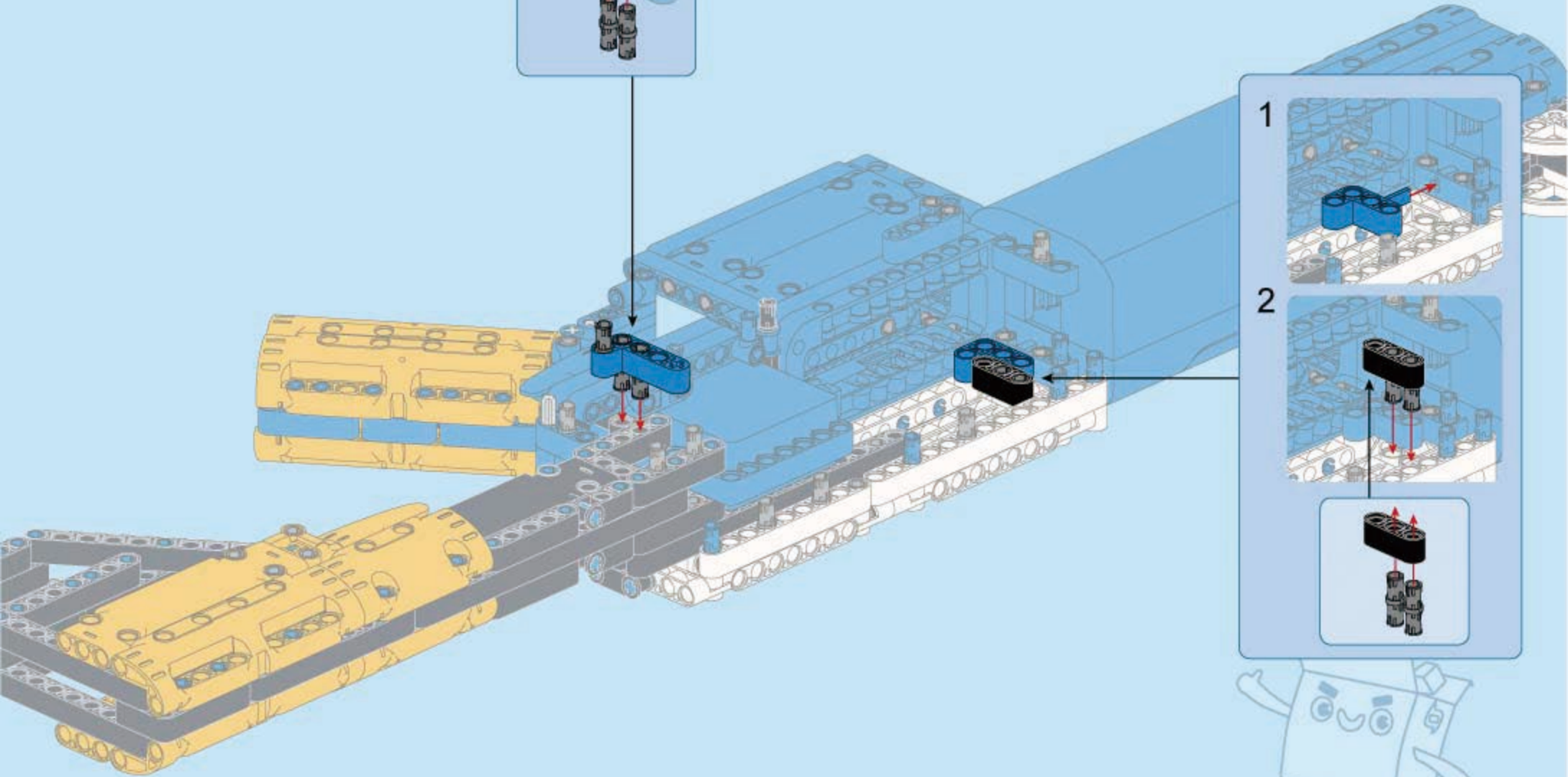
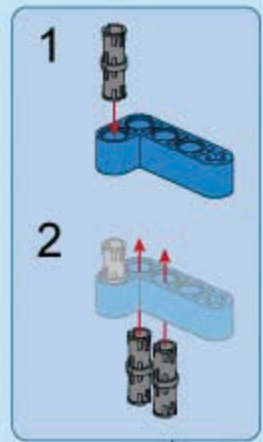
9 1:1

128

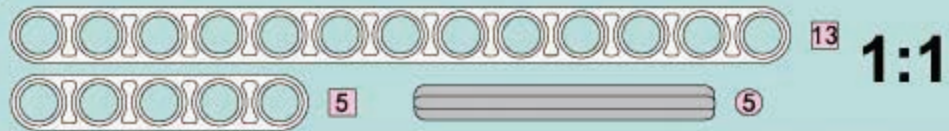


129

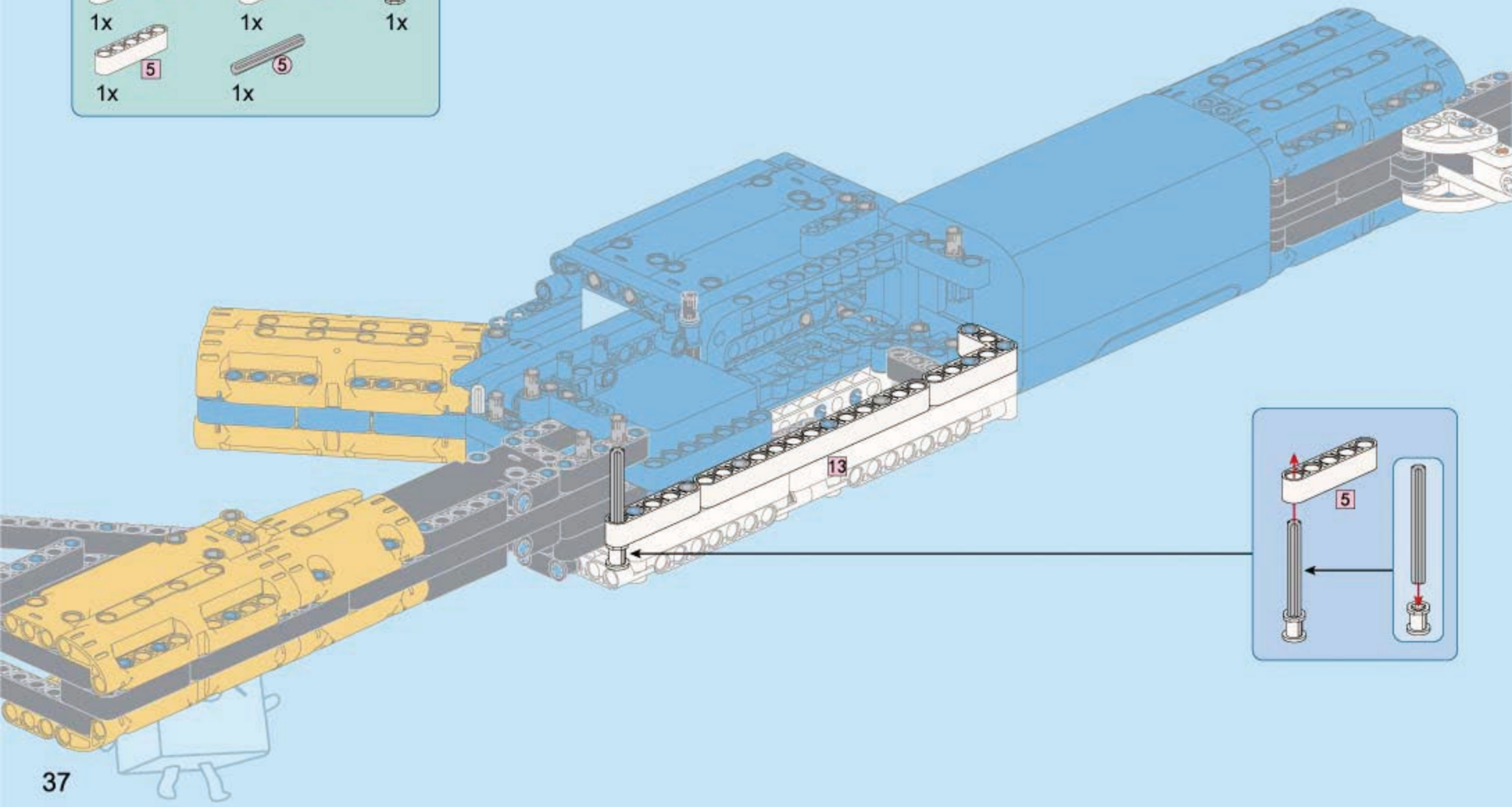
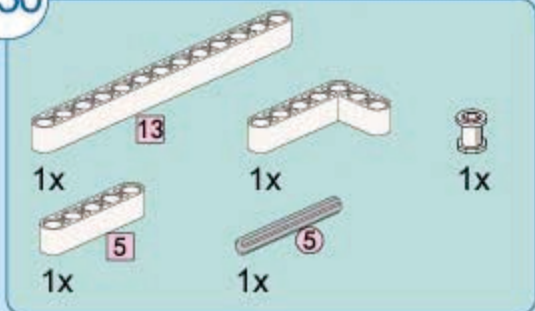
- 1x 
- 1x 
- 1x 
- 5x 







130



131



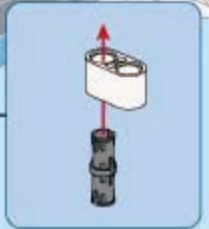
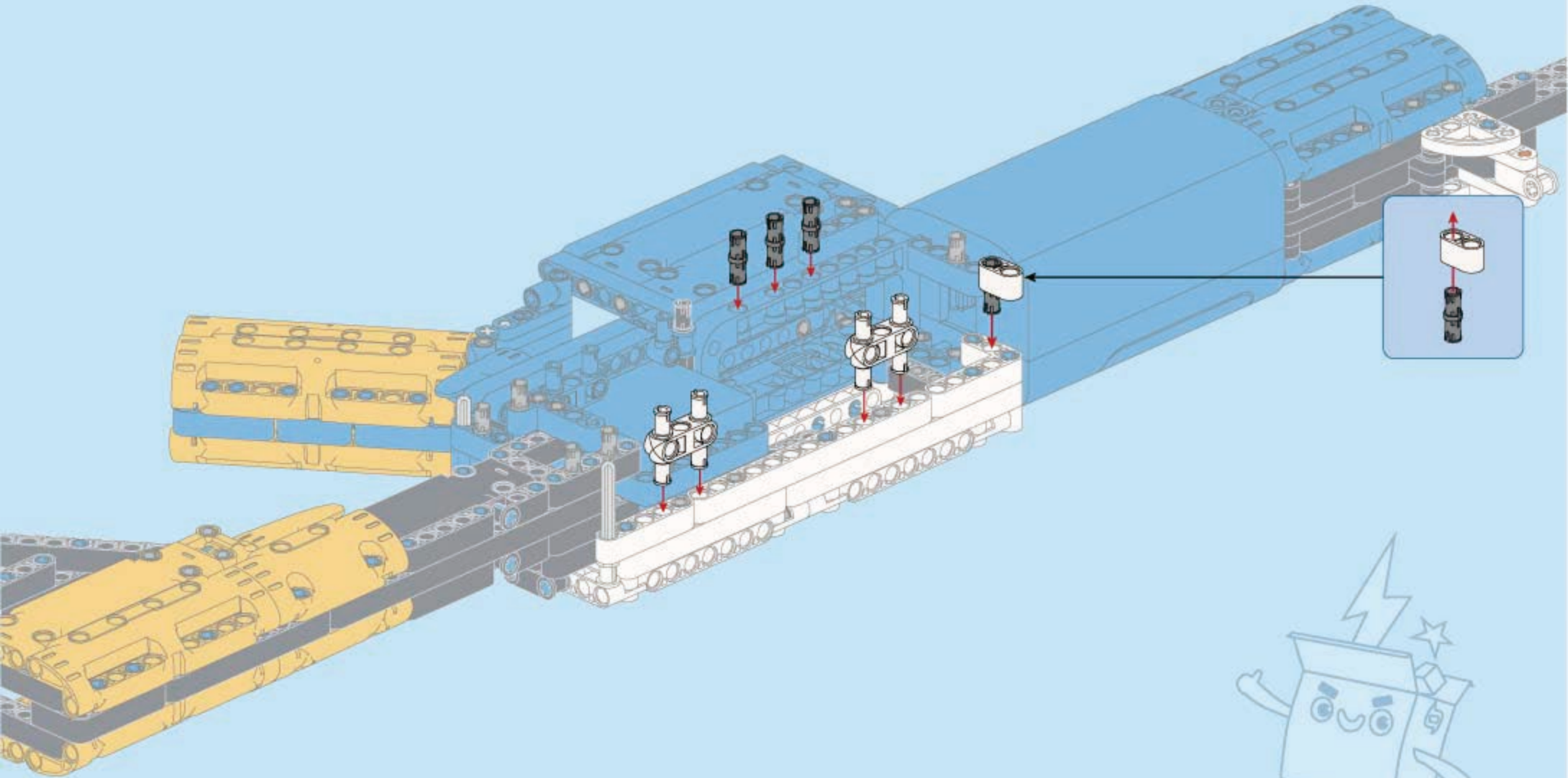
2x



1x



4x





132



2x

5



4x

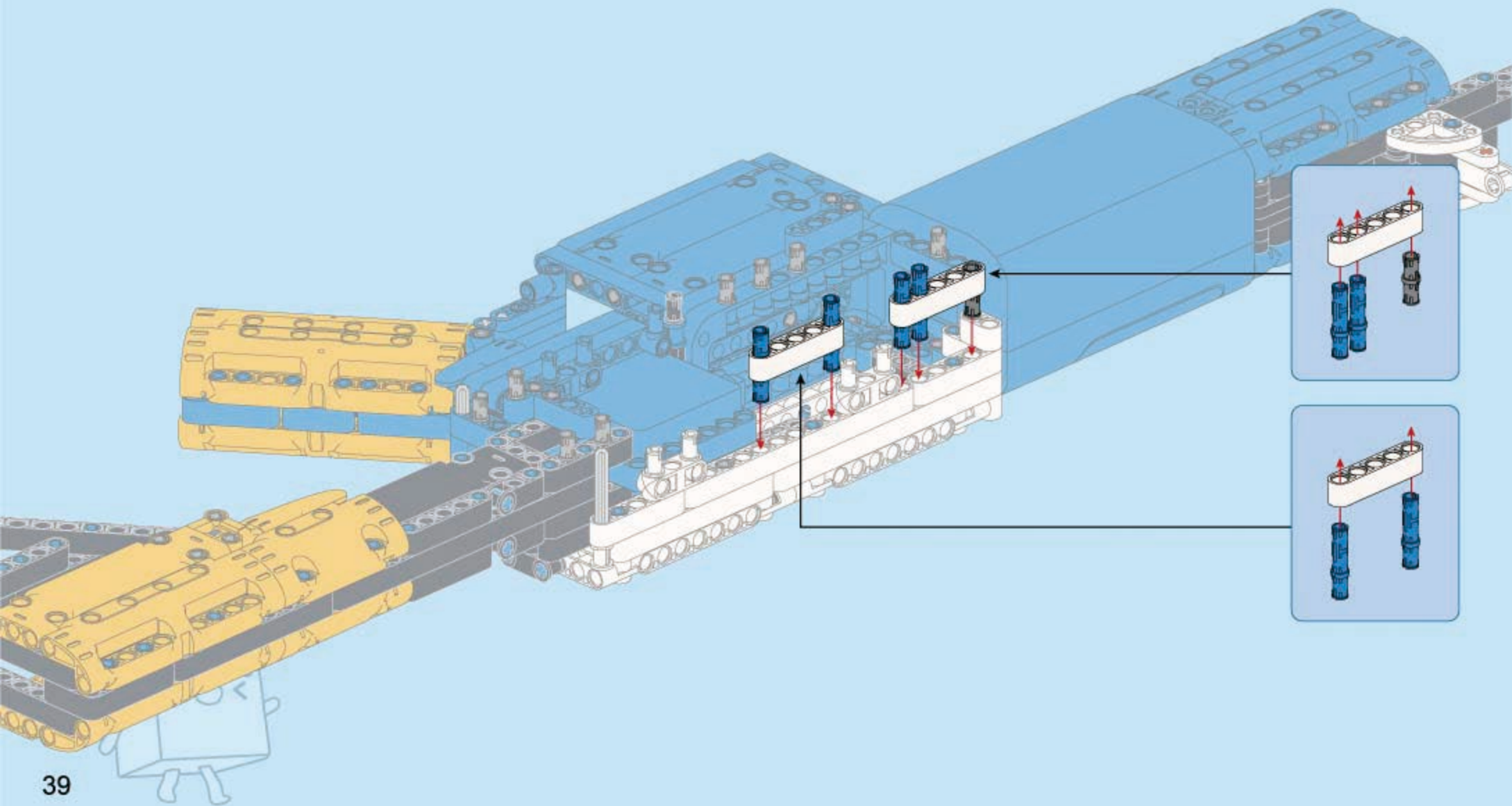


1x



5

1:1



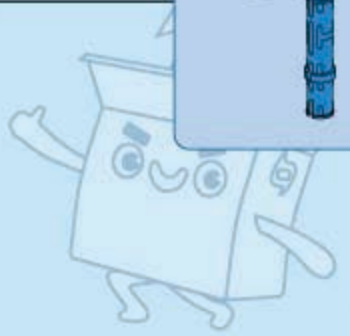
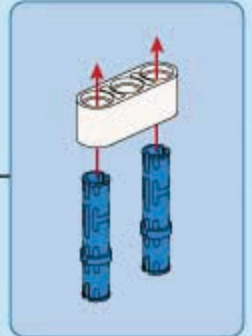
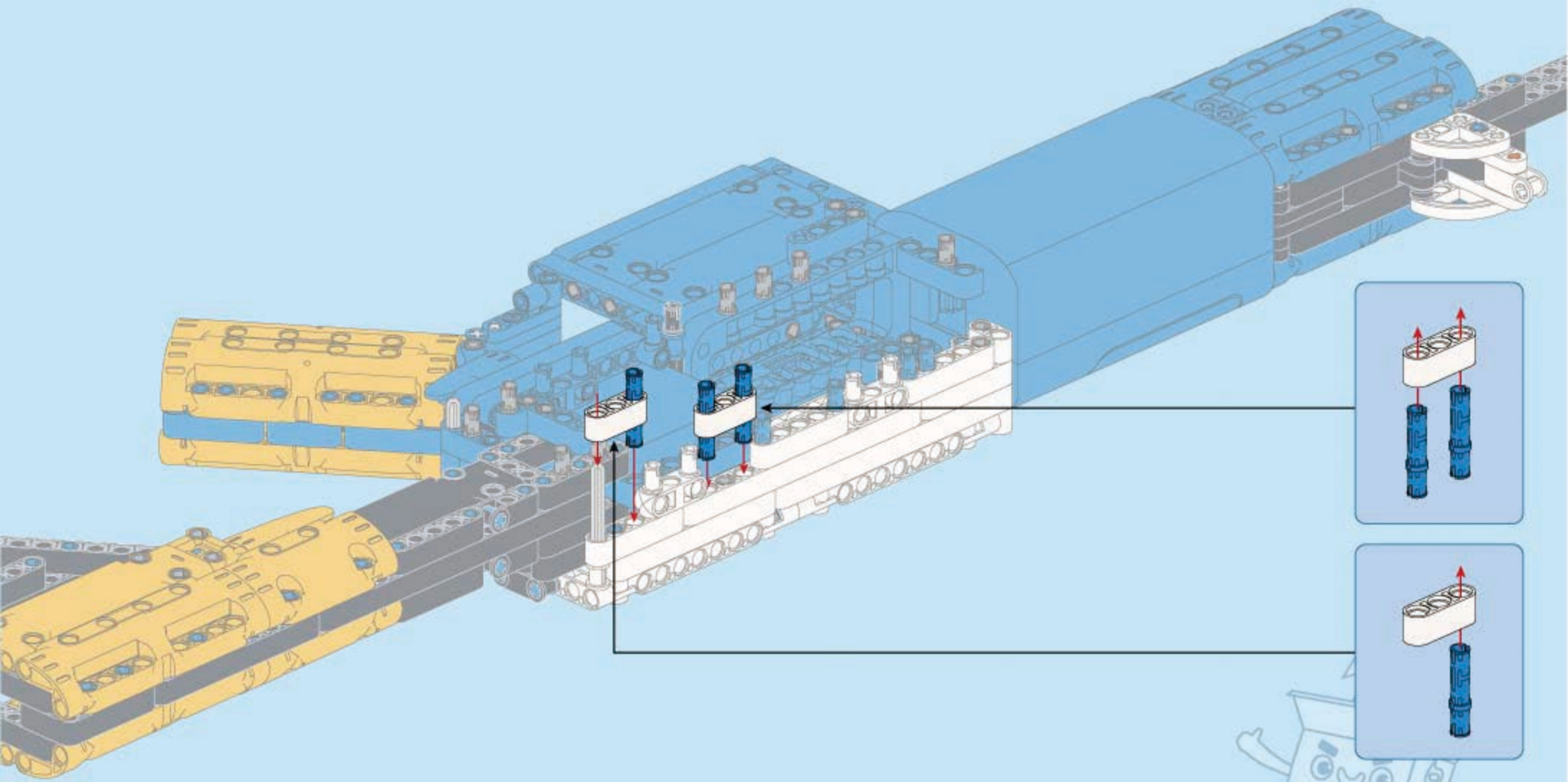
133



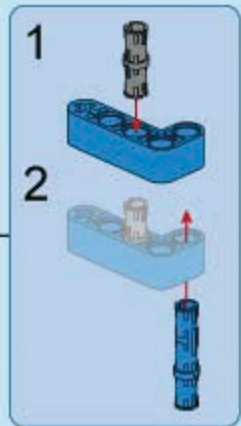
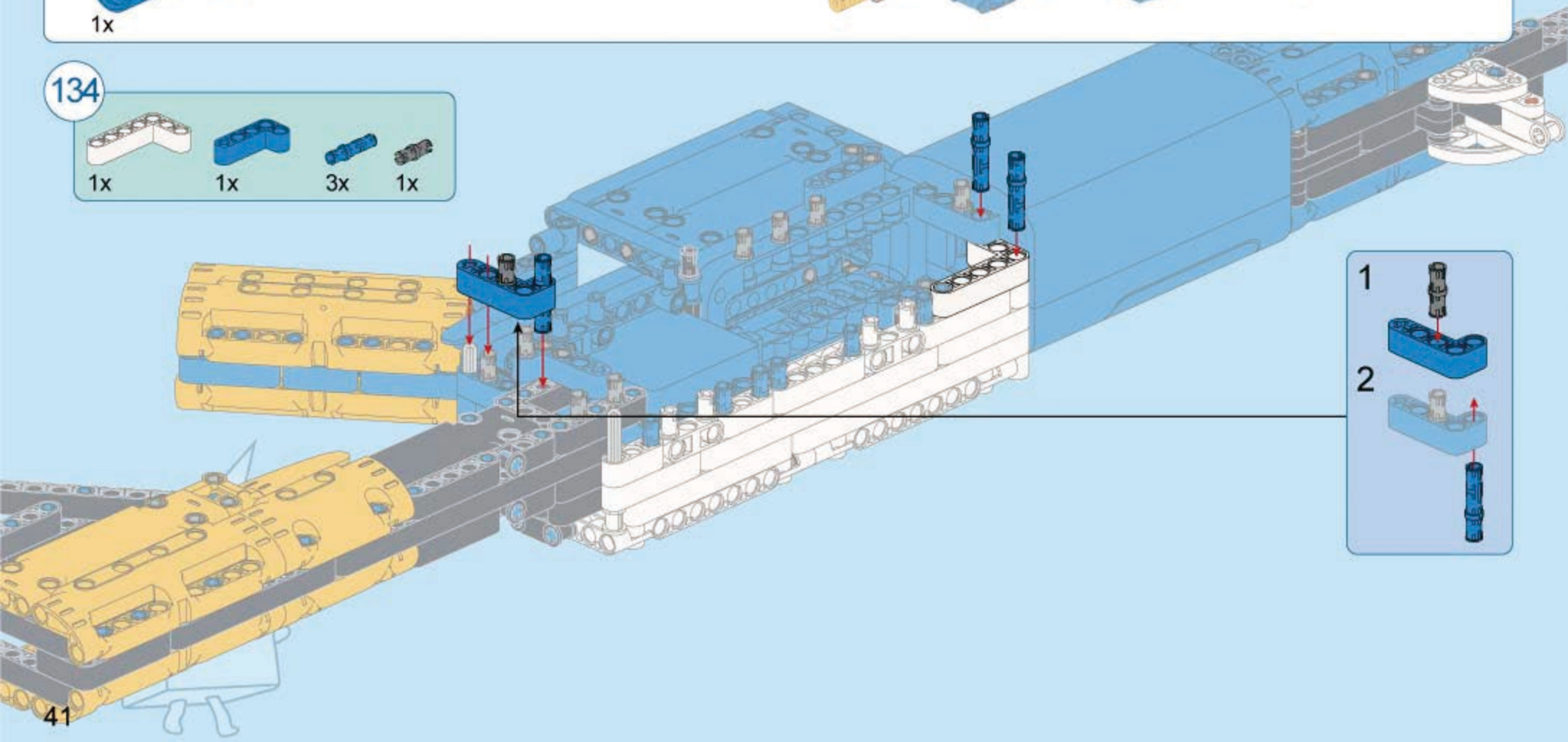
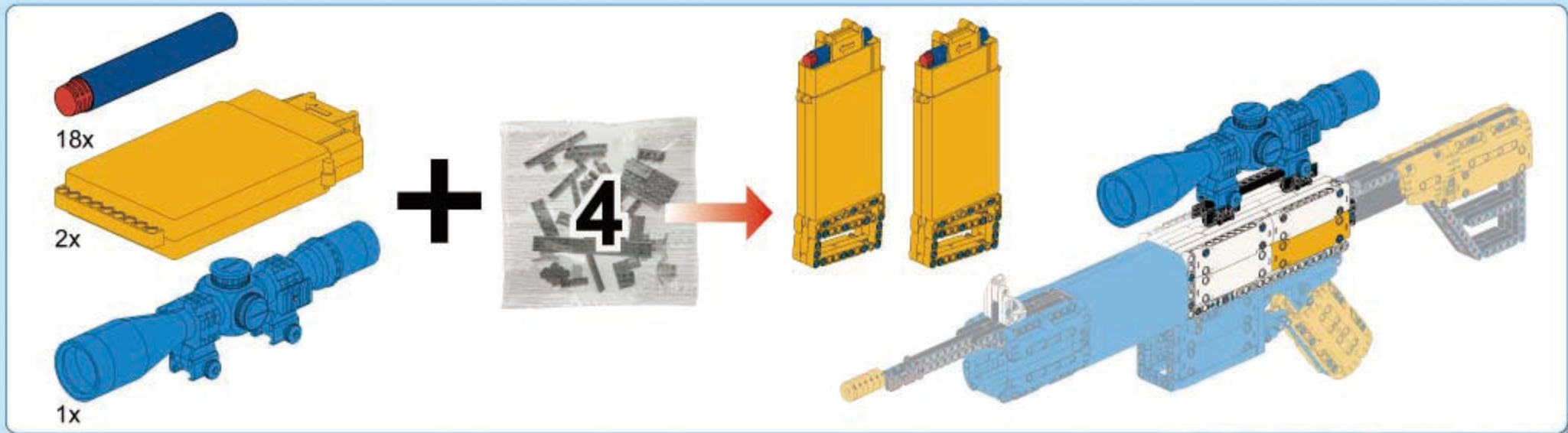
2x



3x

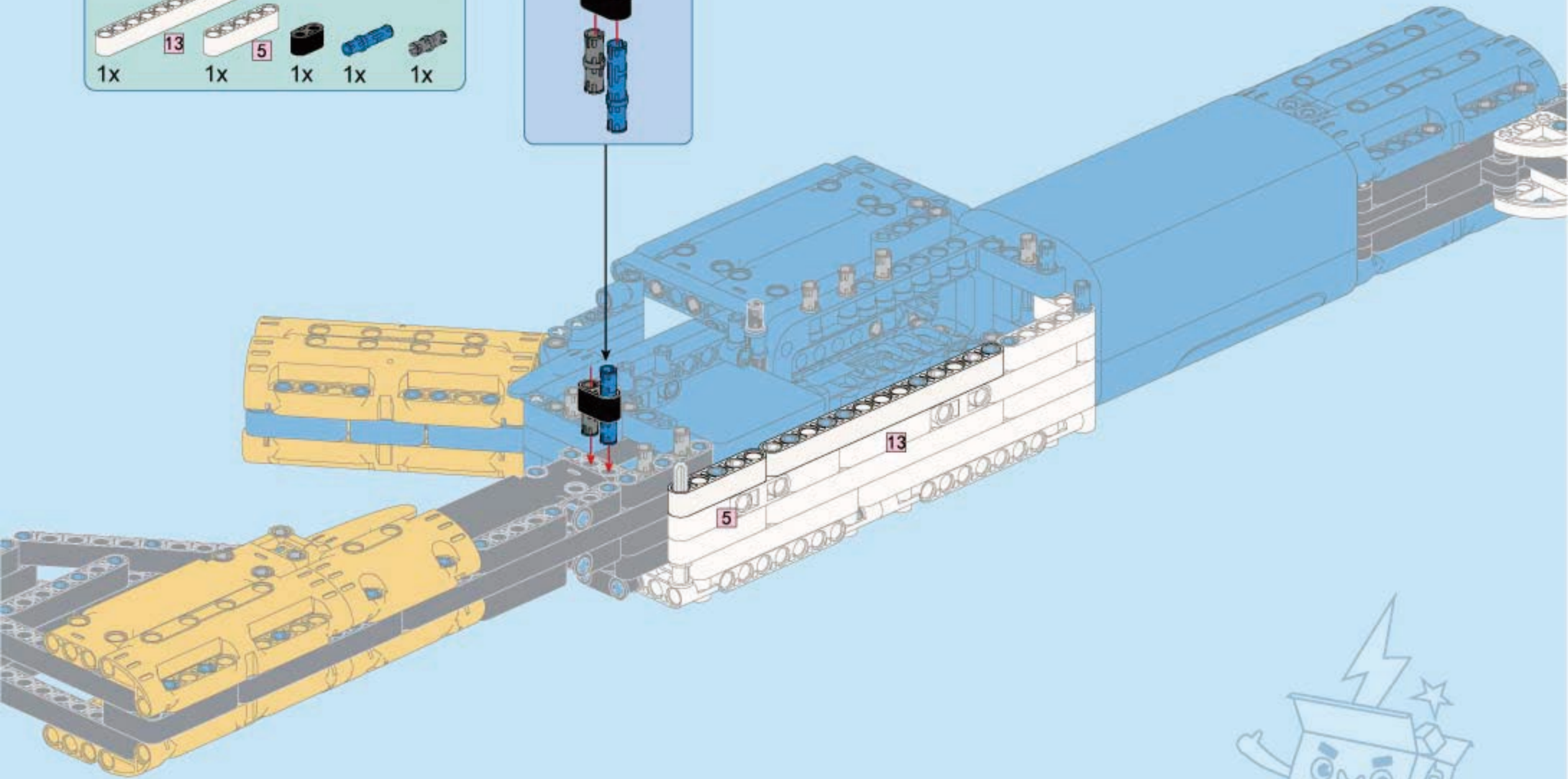
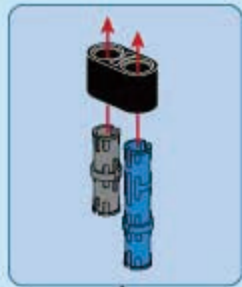
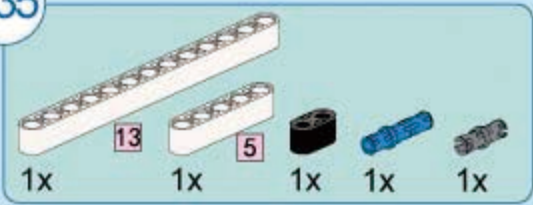








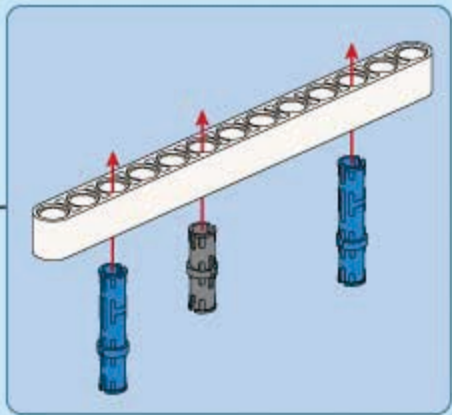
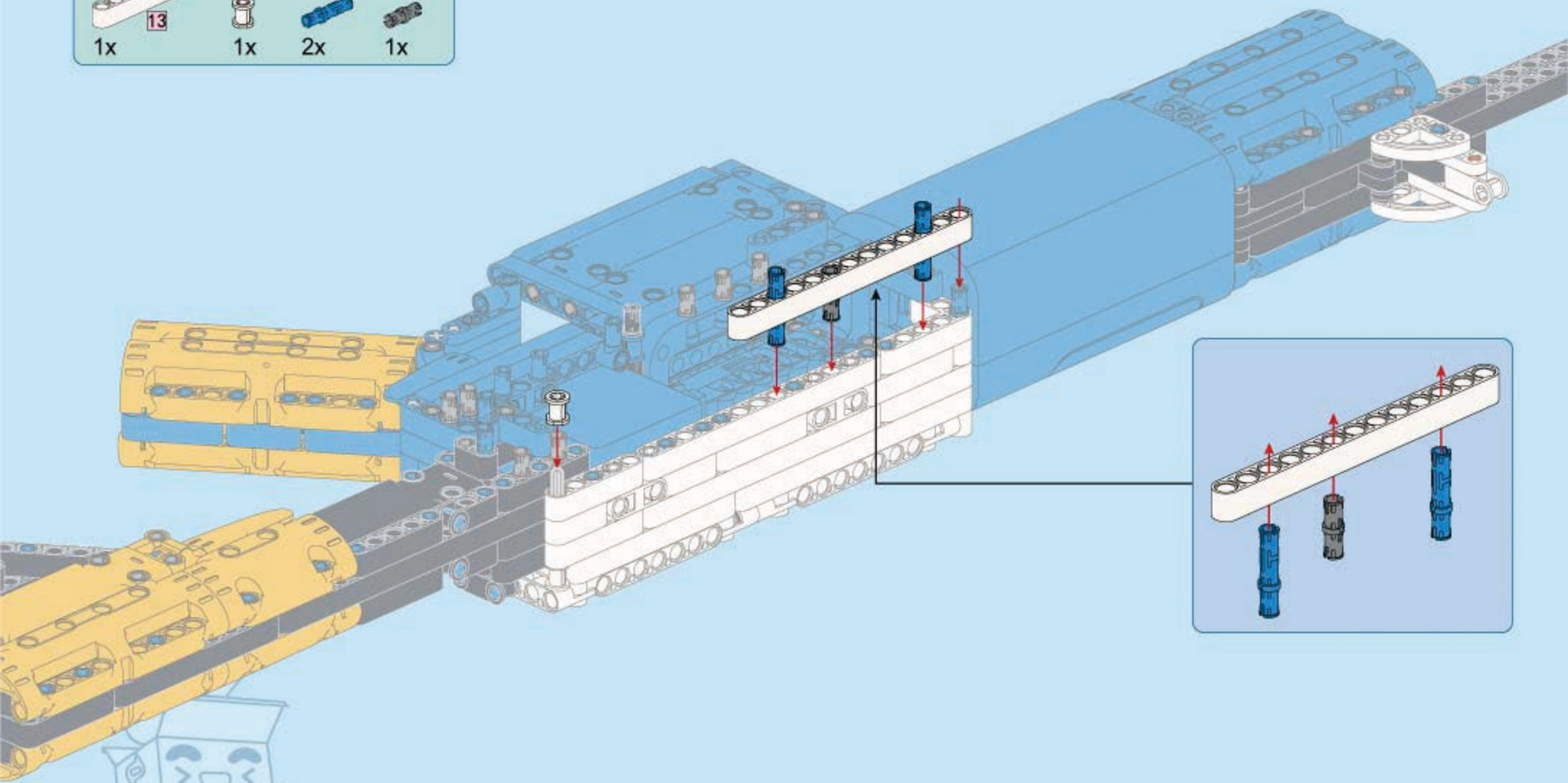
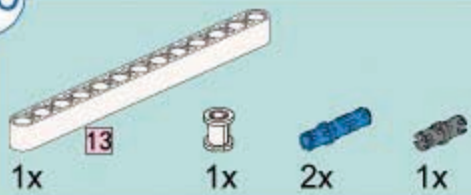
135





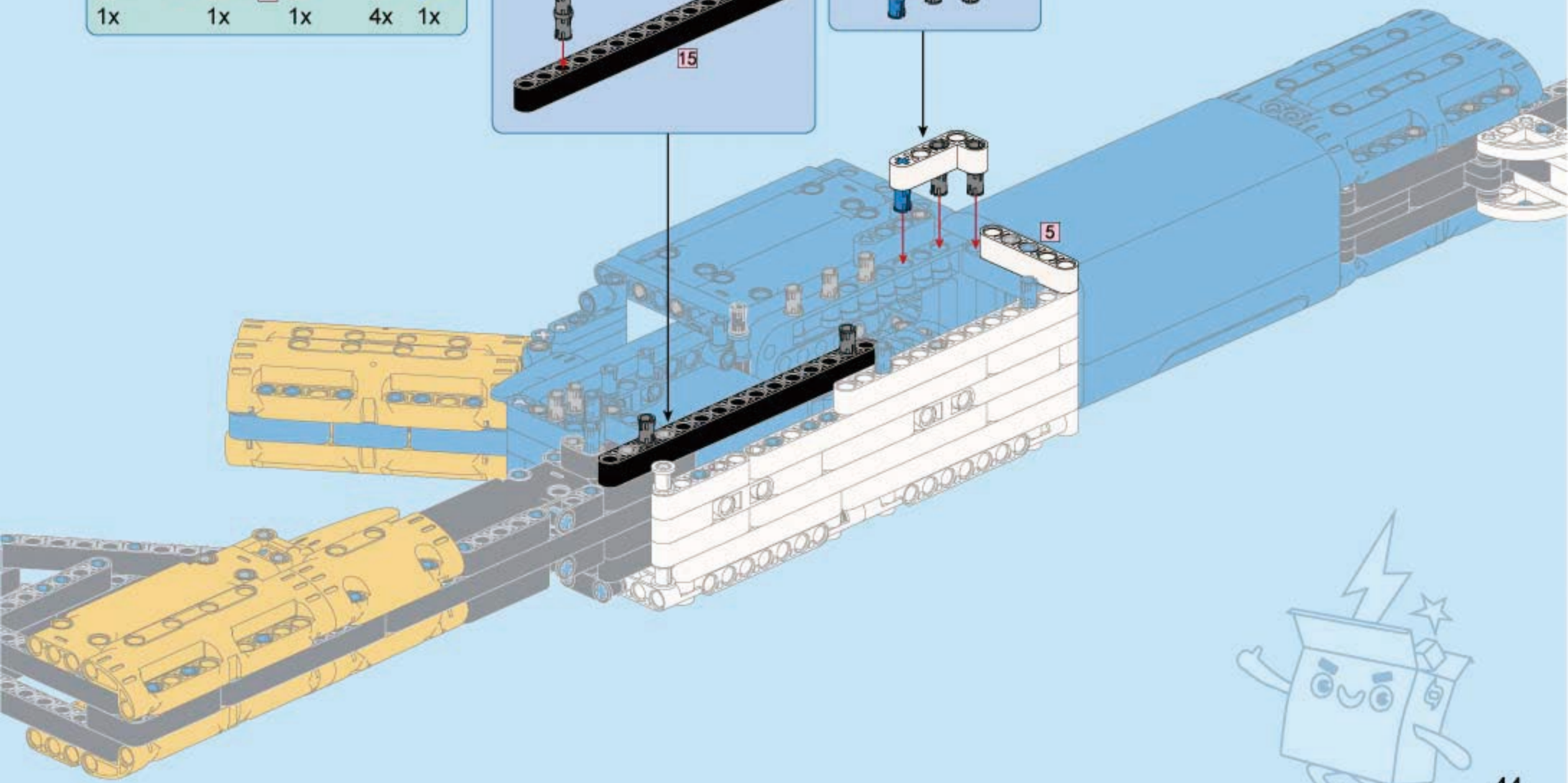
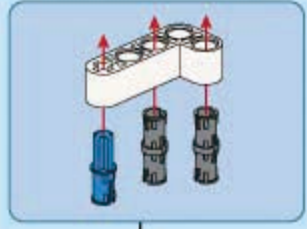
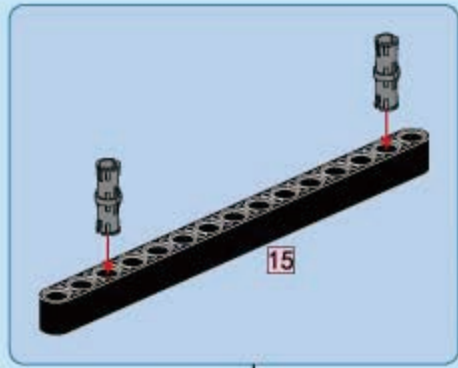
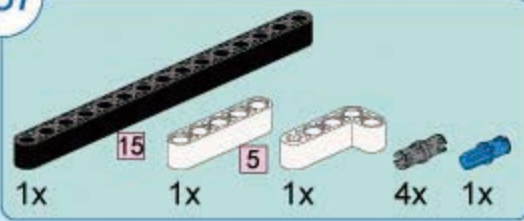
13 1:1

136

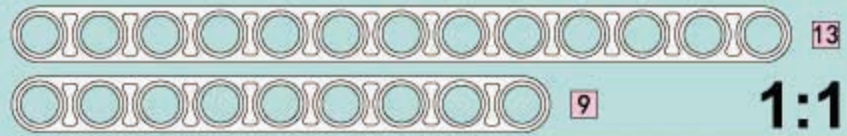




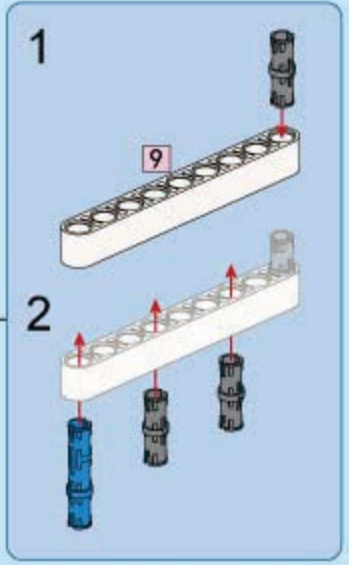
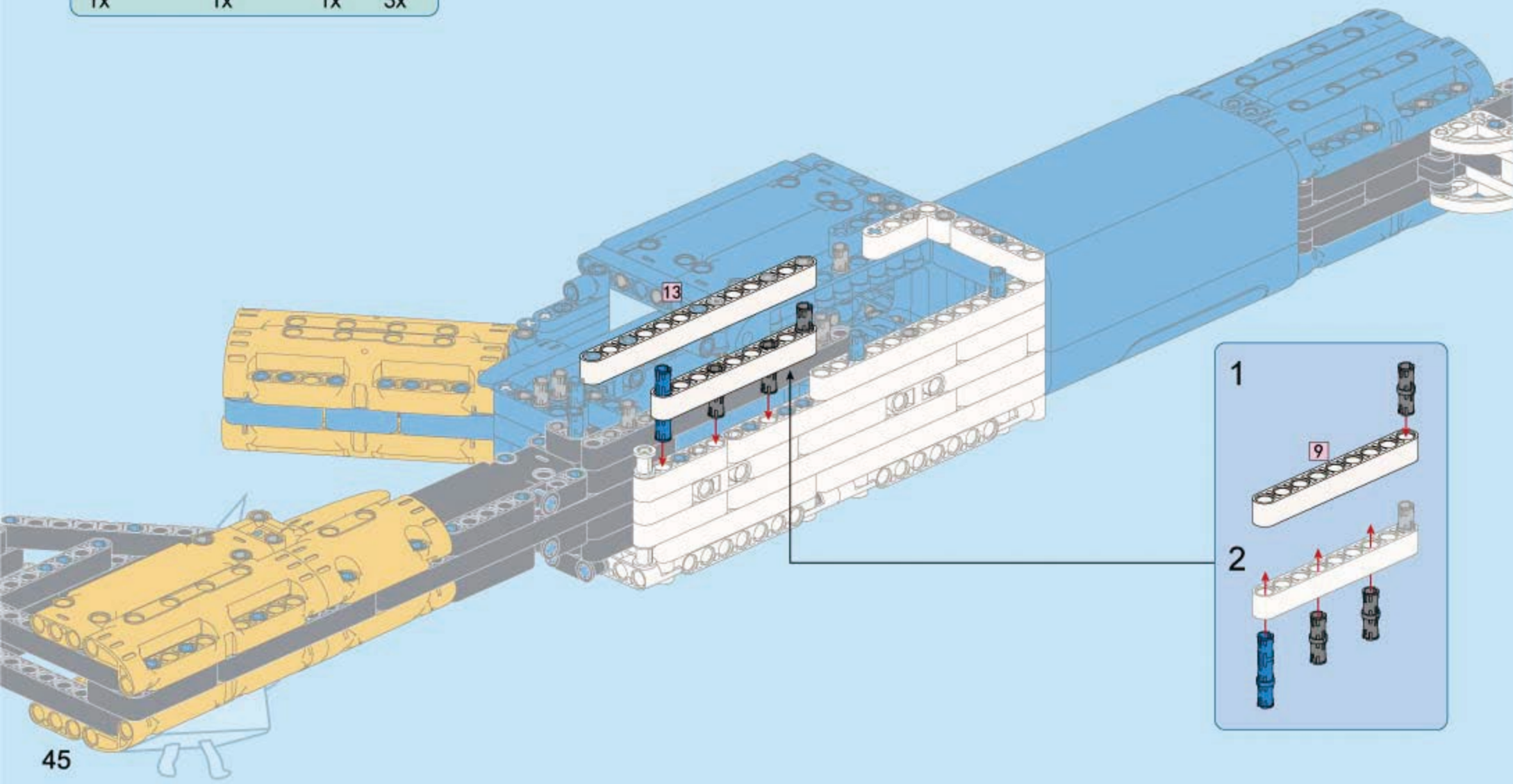
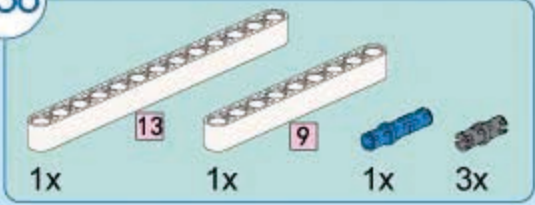
137

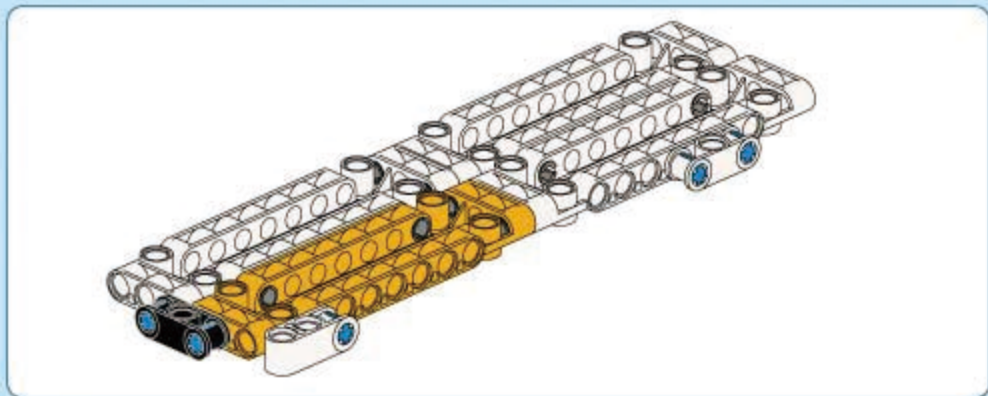




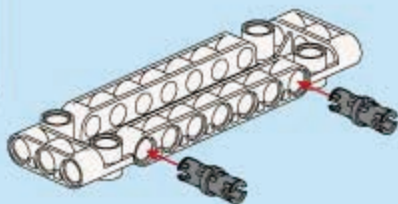


138

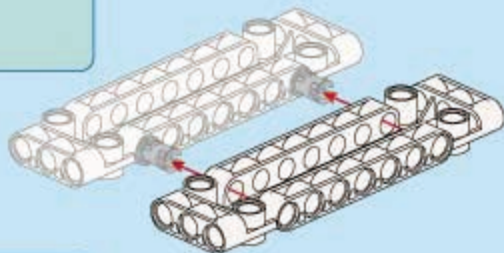
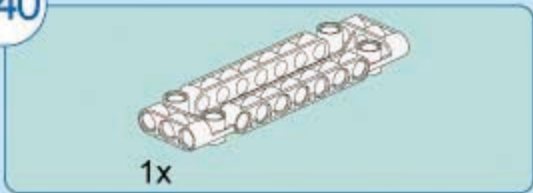




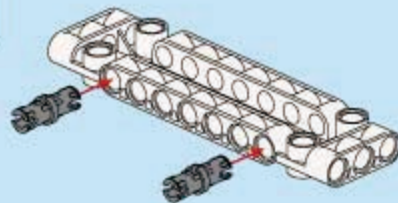
139



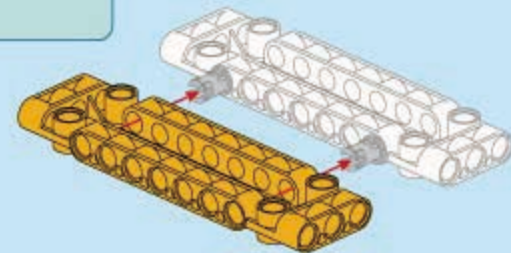
140



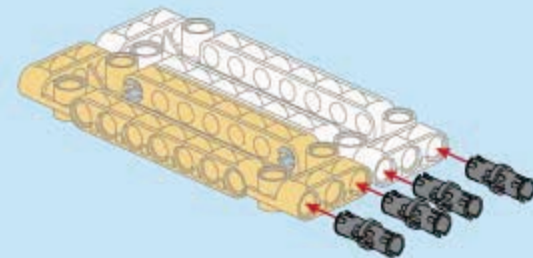
141



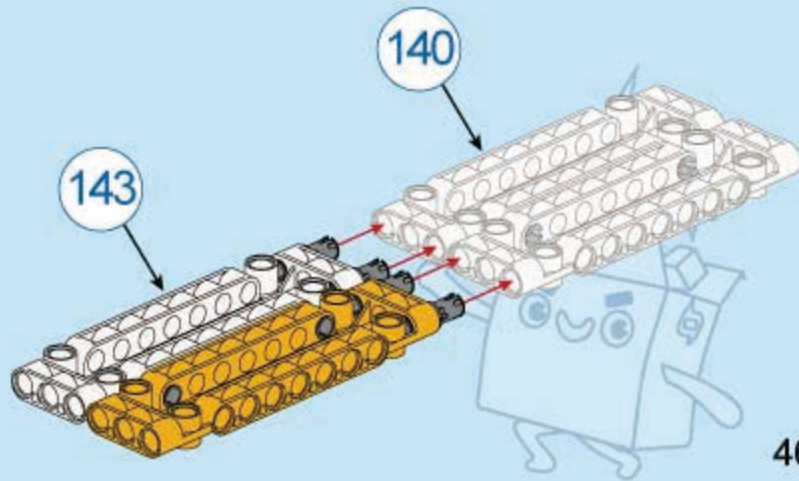
142



143



144





145



1x



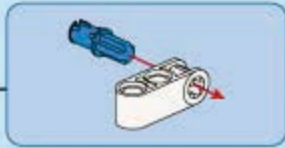
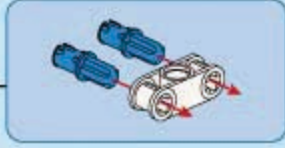
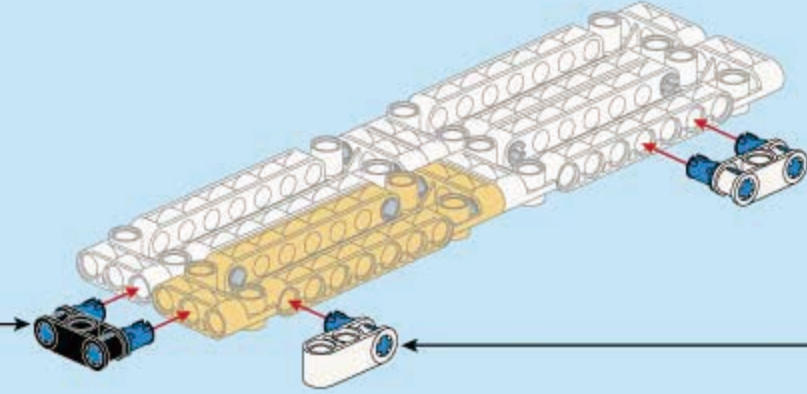
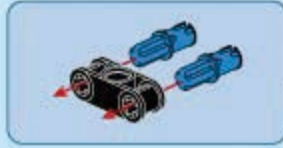
1x



1x



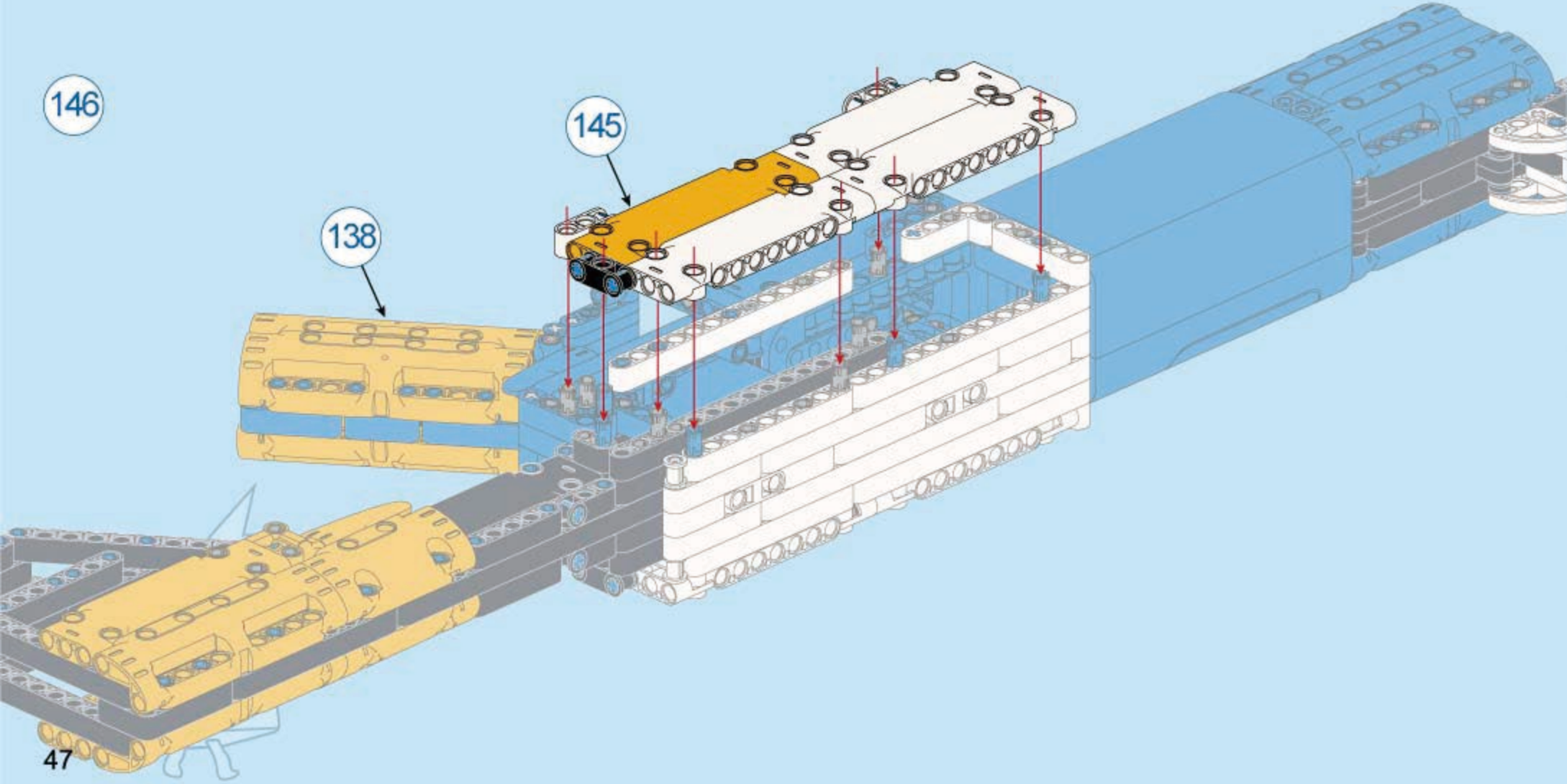
5x



146

138

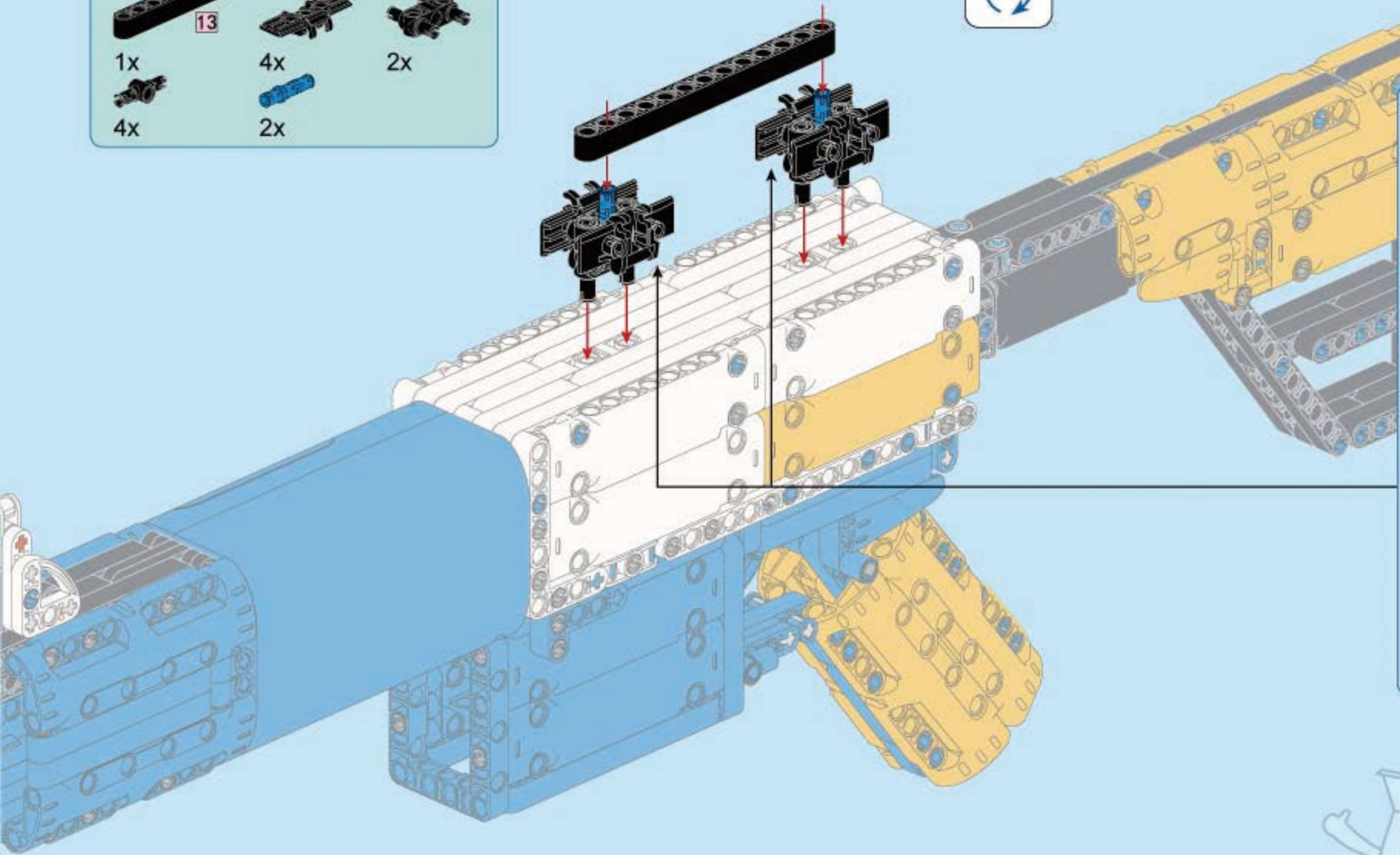
145





147

1x	4x	2x
4x	2x	

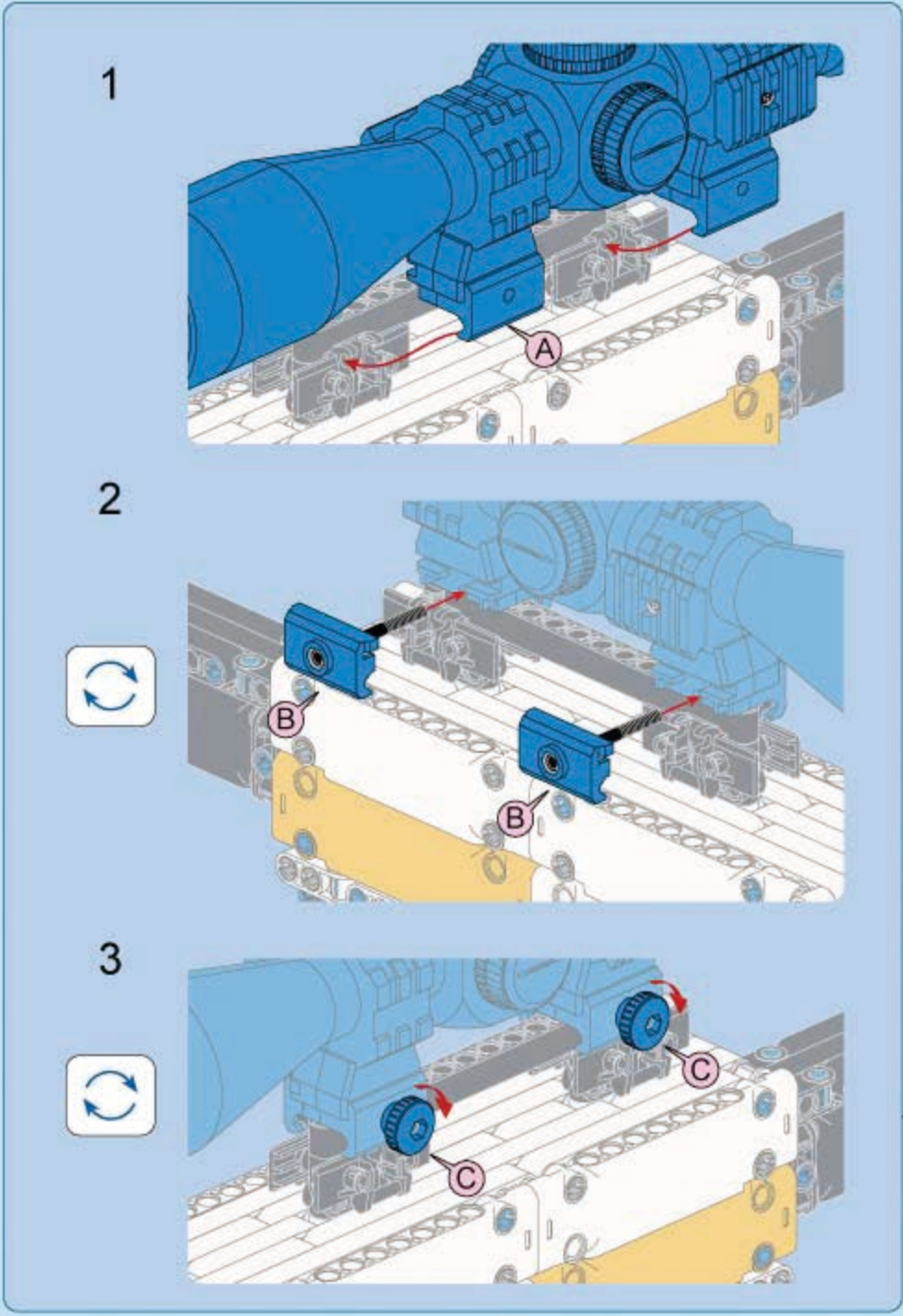
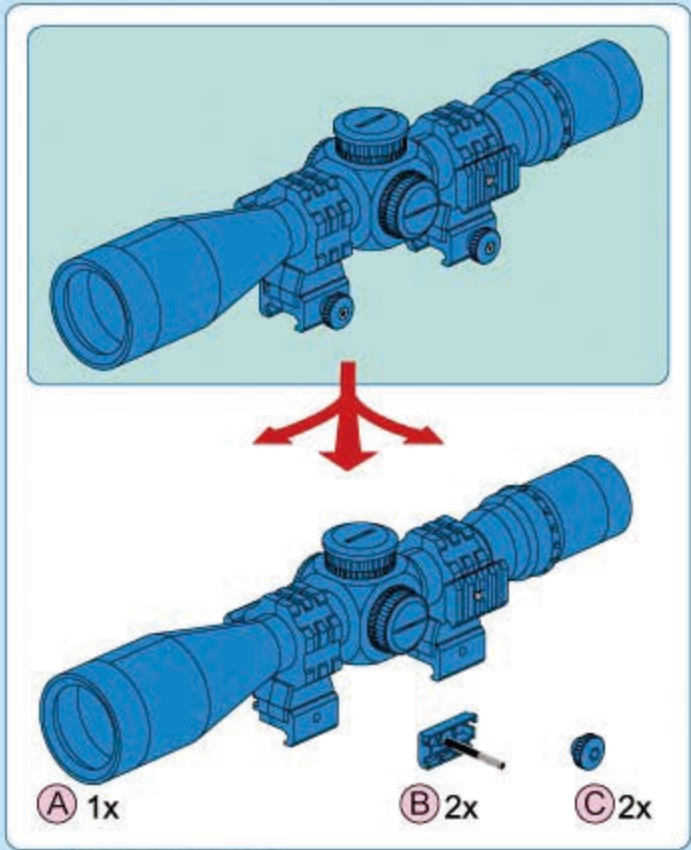
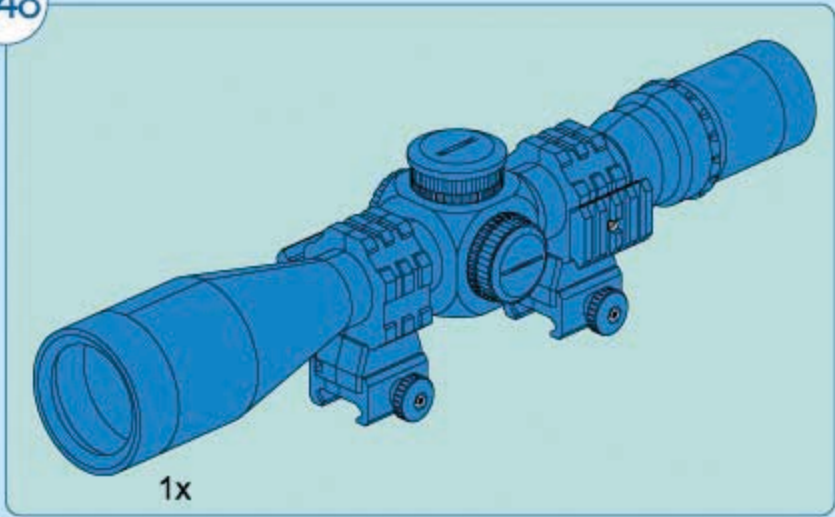


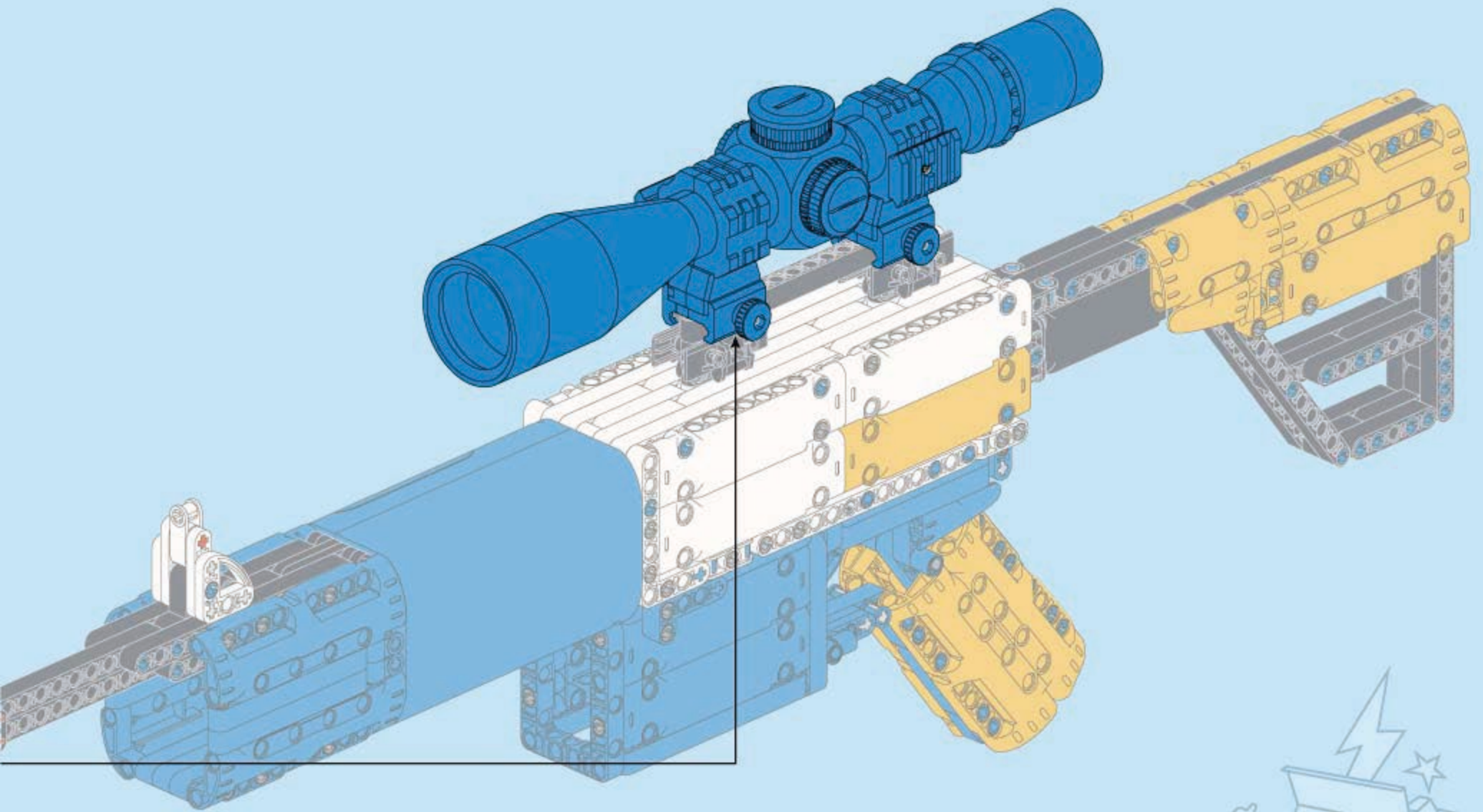
- 
- 
- 

2x

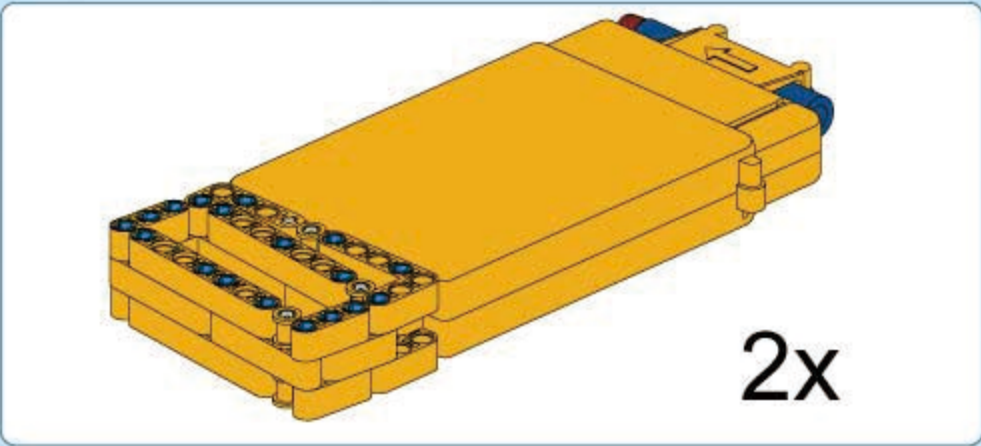




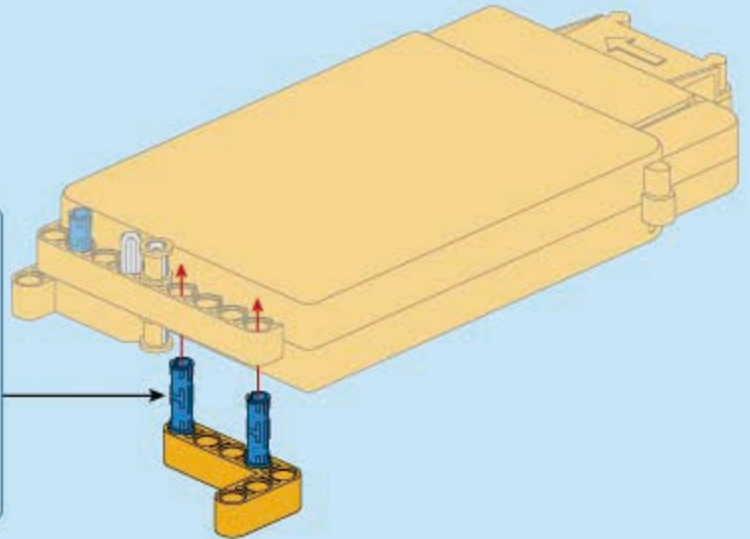
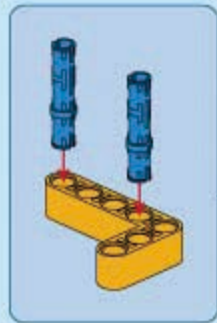
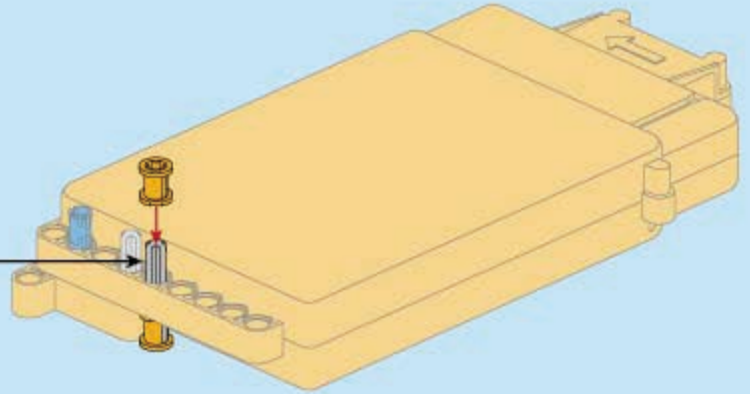
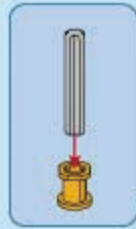
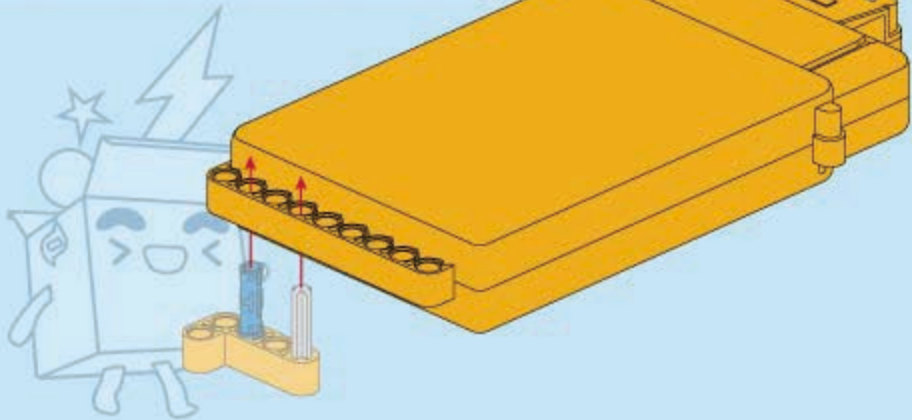
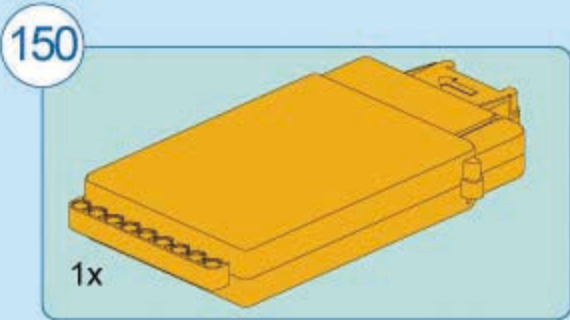
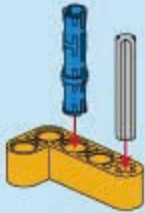
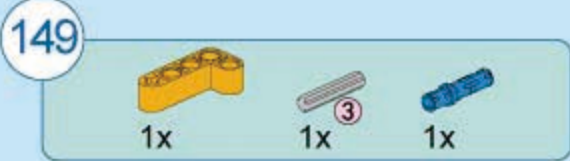


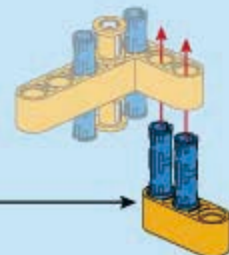
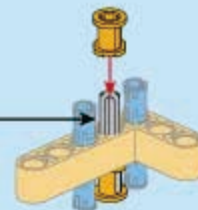
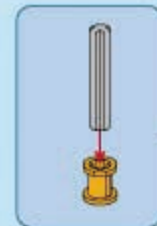
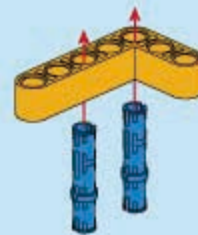
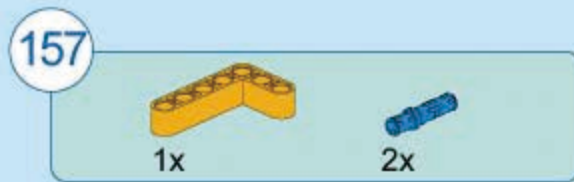
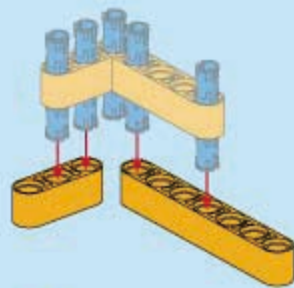
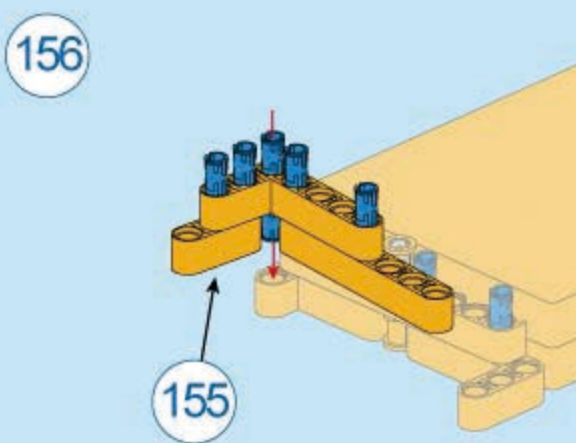
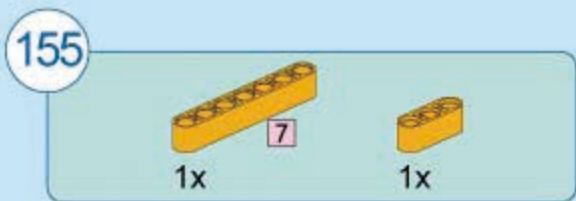
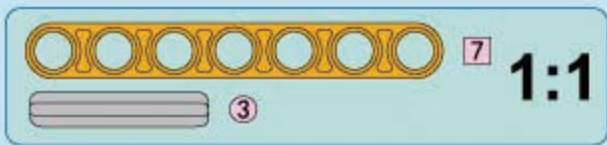




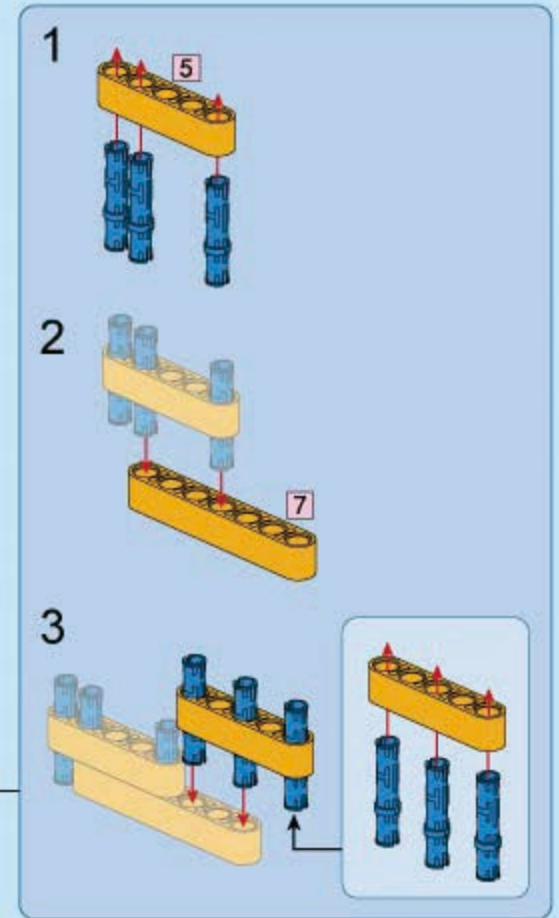
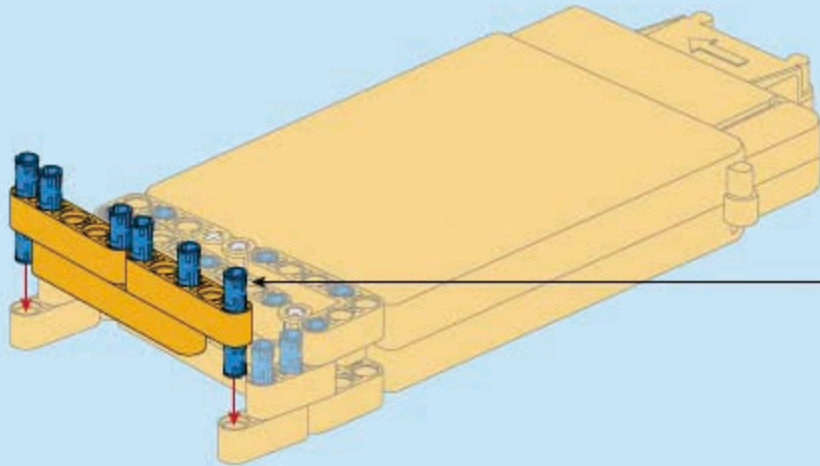
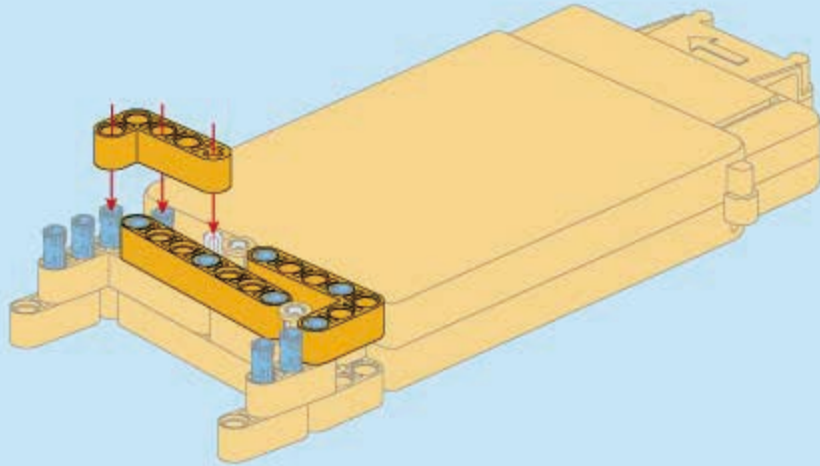
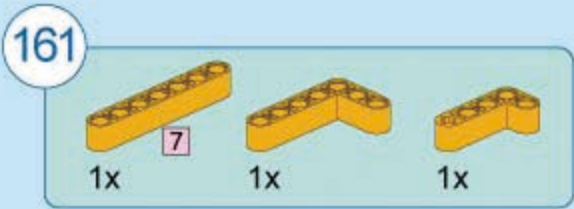
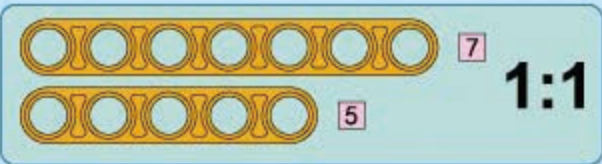


2x

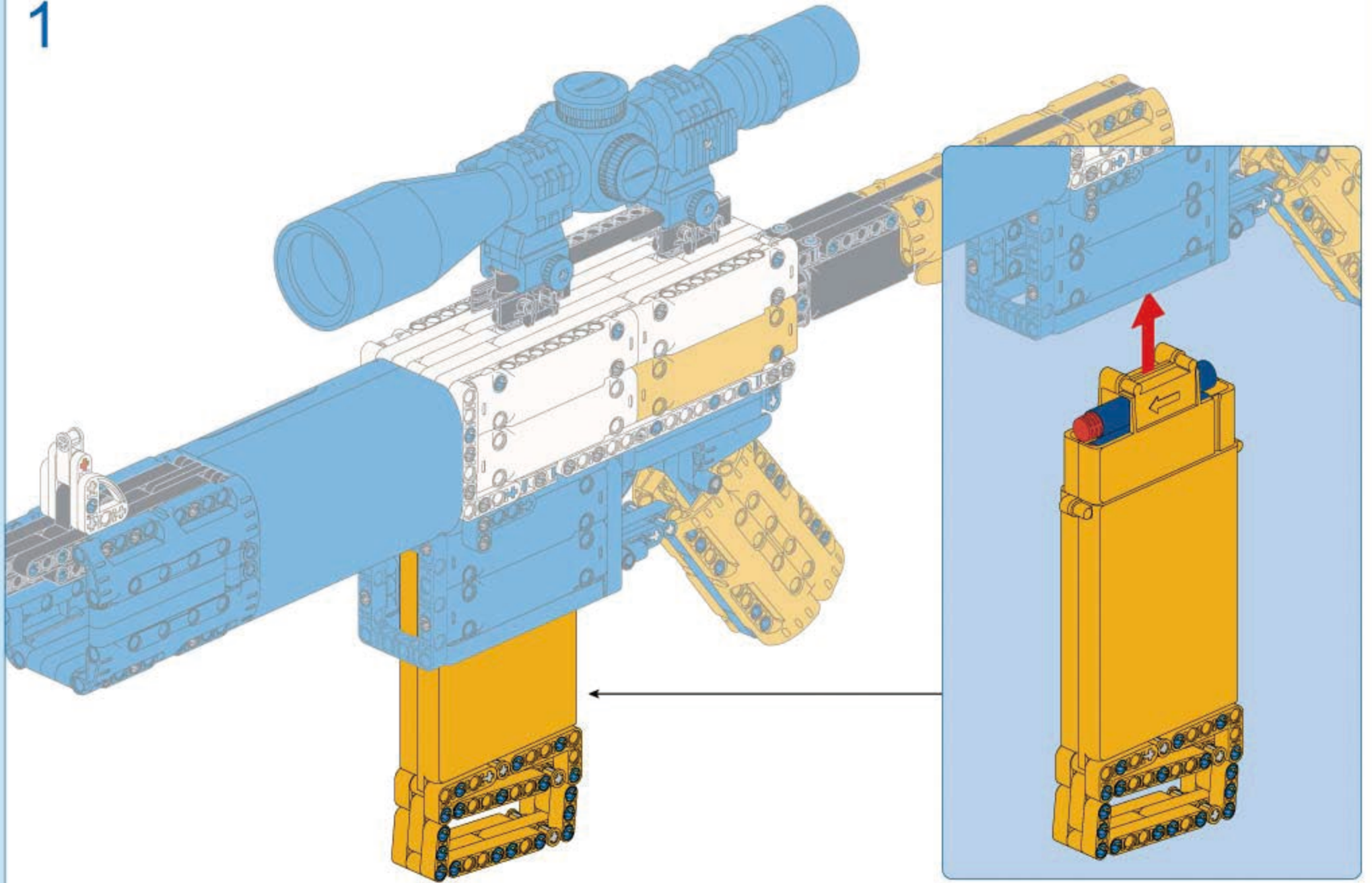






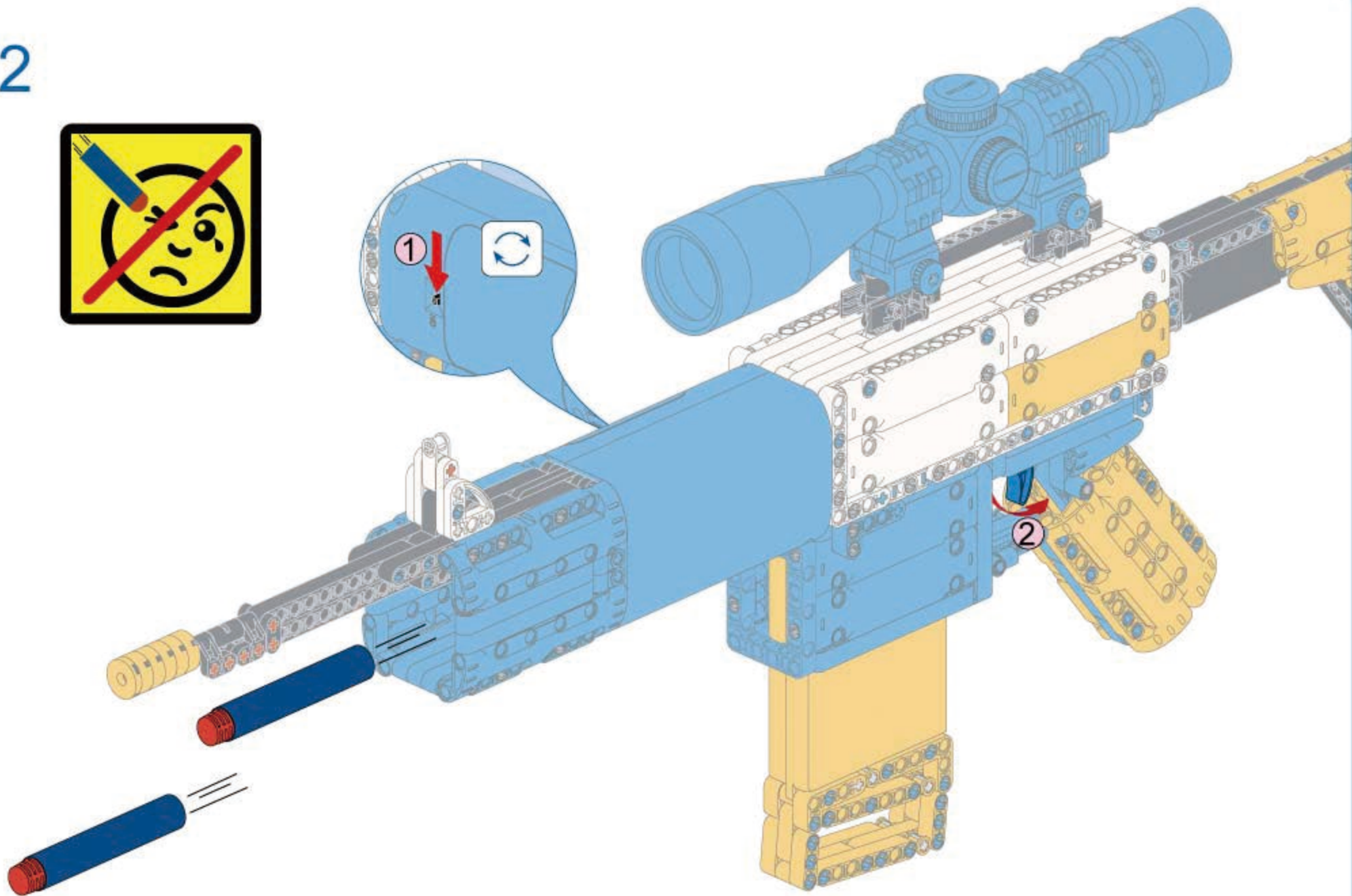
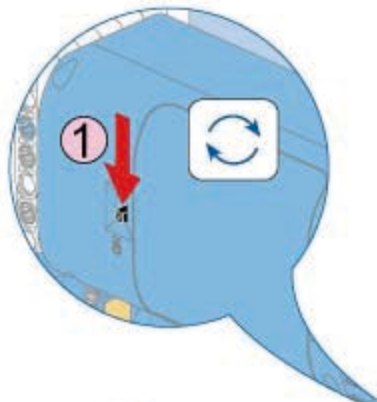


1



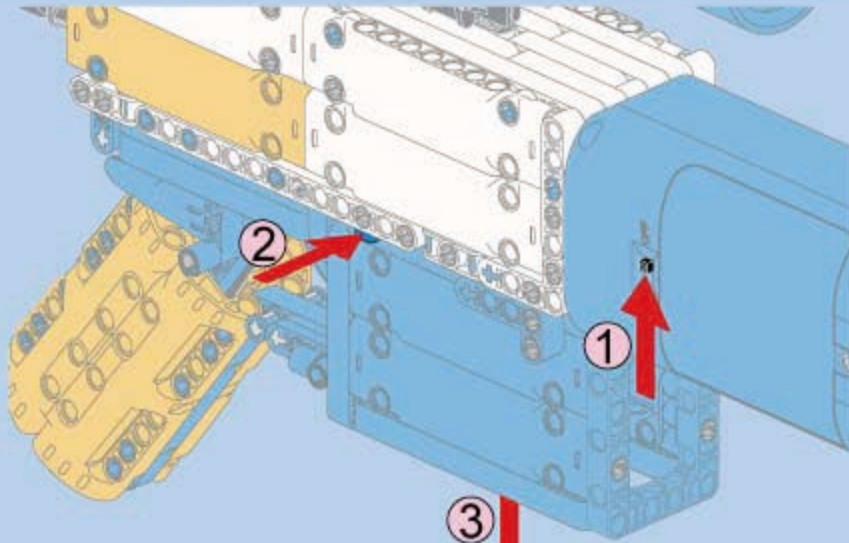


2

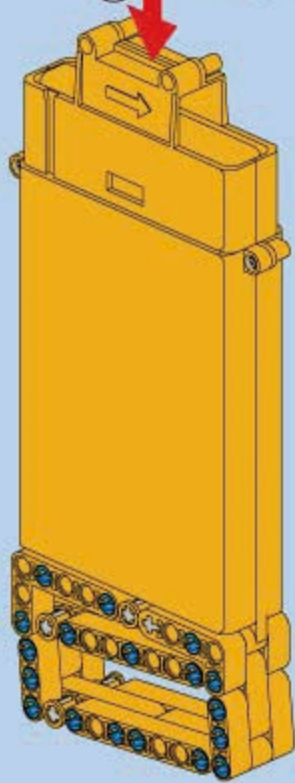


3

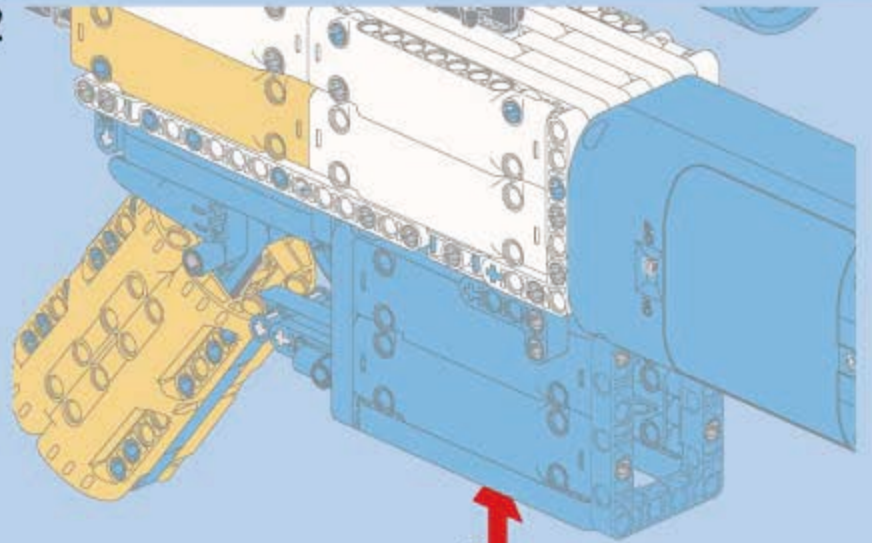
1



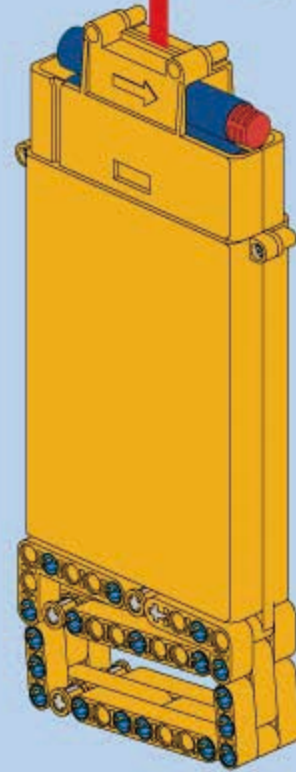
3



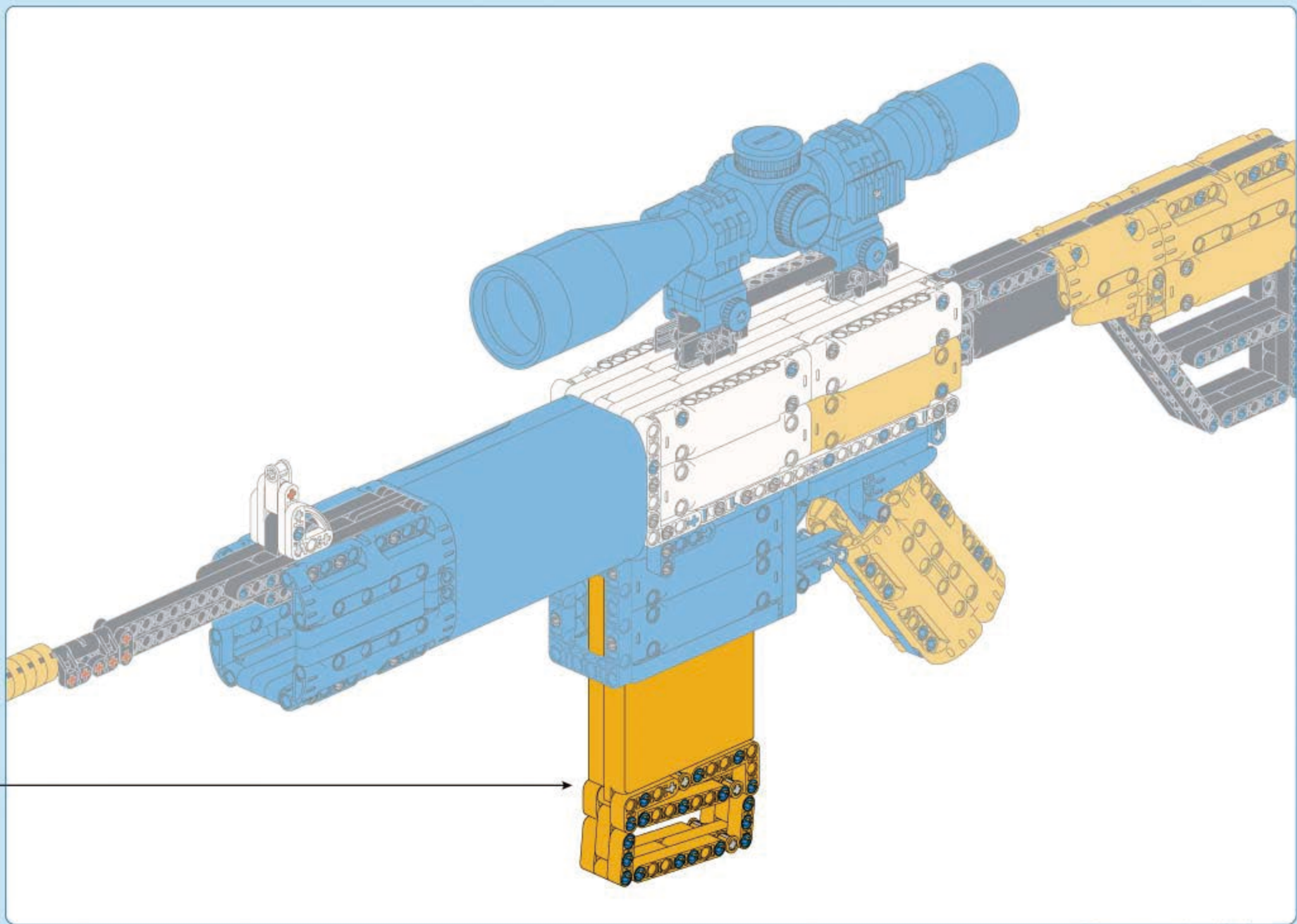
2



3









**MODEL  
POWER**

模型动力