



MODEL POWER



The vehicle can play fancy positioning controlled by mobile phone or remote controller.



54002

Ages: 8+

Pcs: 415



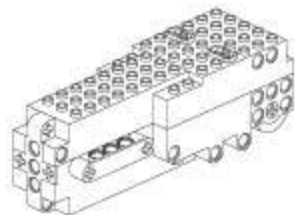
2.4G Remote control Technology building blocks Route planning



Pictures are for your reference only. The delivered goods shall prevail.

AOYING SUV REMOTE CONTROL CAR

Product Summary | 产品概览:



Smart Creative
Module
主控模块



Remote
Control
遥控器



USB-Micro Charging
Cable
USB-Micro充电线

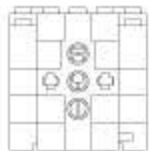


Building Blocks
Instructions
搭建手册

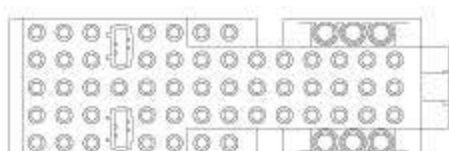


Building Block
Parts
积木零件包

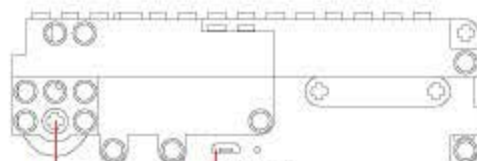
Smart creative module | 主控模块:



Front View
正面

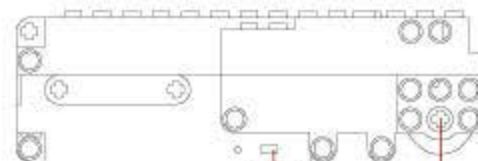


Vertical View
顶面



Rotary360°A
动力孔A

5V 2A
Charging Port
充电孔

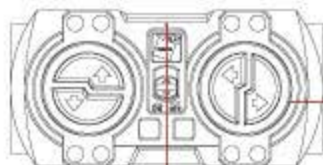


Power
电源开关

Rotary360°B
动力孔B

Side View
侧面

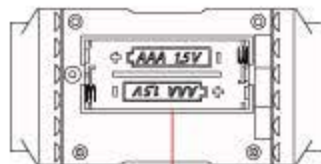
Remote Control | 遥控器:



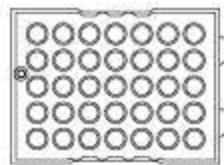
Indicator Light
指示灯

Front View
正面

Direction Button
操控盘



Battery Case
电池盒



Rear view
背面

Pictures are for your reference only.
The delivered goods shall prevail.
图片仅供参考，请以实物为准。

Method Of Operation | 产品概览:

On/Off 开关机

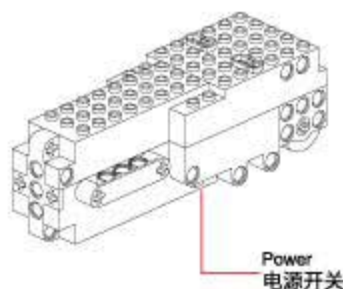
Turn on the power switch and indicator lights when starting.

打开电源开关, 启动时指示灯亮。

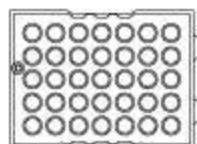
NOTE :

Please turn off the power and use it outside .IT is forbidden to work for a long time .it will stop when working state is longer than 24 hours,Second,you need to charge the Smart creative module.

注意:主控模块使用后关闭电源,请勿长时间待机,在待机24小时之后启动电池保护,停止主控模块工作,重新启动需要对主控模块进行充电操作,才能恢复正常工作。



Power 电源开关



Remote Control Operation | 遥控手柄操作

Use a Phillips screwdriver to unscrew the screw on the battery cover at the back of the remote control counterclockwise, open the battery cover, load 2 1.5V "AAA" batteries with correct polarity, close the battery cover, and tighten the screws.

用十字螺丝刀按逆时针方向拧开遥控器后面的电池盖上的螺丝, 打开电池盖, 按正确的极性装入2节1.5V "AAA" 电池, 盖上电池盖, 拧紧螺丝。

After installation, the indicator light flashes and lights up when the link is successful.

安装后指示灯闪烁, 链接成功后长亮。

Direction button control :Front /back /left /right

遥控器按键控制前、后、左、右方向。



ON/OFF 开关



NOTE:

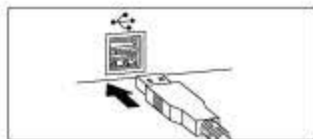
If the power is not turned on for a long time ,repeat the installation of the remote battery connection .

注意:如长时间没使用产品,建议重新安装遥控器电池。

Charging Operation | 充电操作

Use usb charging .connect the main Smart creative module and the computer usb port . When charging ,the light is on and the light is off.The charging time is 120 minutes.

圆孔接头连接主控模块充电口, USB连接电脑端接口 充电时主控模块指示灯亮, 充电完成后指示灯熄, 充电时间大约为120分钟, 充电完成后请拔出接头。



NOTE:

The charging input voltage should not exceed 5V and current should not exceed 2A.

注意:USB充电接口输入电压不能超过5V, 电流不能超过2A。

NOTE 注意事项

Precautions Smart creative module is not removable and must not subject the product to mechanical shock;

Smart creative module contains batteries,away from heat sources and locations above 60°C ;

Smart creative module cannot be charged for a long time to avoid danger;

The USB charging cable is an electronic component and cannot be used for play;

This product contains small parts and is prohibited for use by children under the age of three to avoid the risk of suffocation.

The charging cable should be checked periodically for damage to its wires, plugs, housing and other components. If any damage is found, it should be stopped using it until it's repaired.

主控模块不可拆卸,不得使产品受到机械冲击;

主控模块包含电池,远离热源、火源以及高于60°的场所;

主控模块不能长时间充电,以免发生危险;

专用USB充电线为电子元件,不可以拿来玩耍;

本产品含有细小零件,禁止3岁以下儿童使用,以免发生窒息危险;

充电线需定期检查其电线、插头、外壳和其他部件是否损坏,

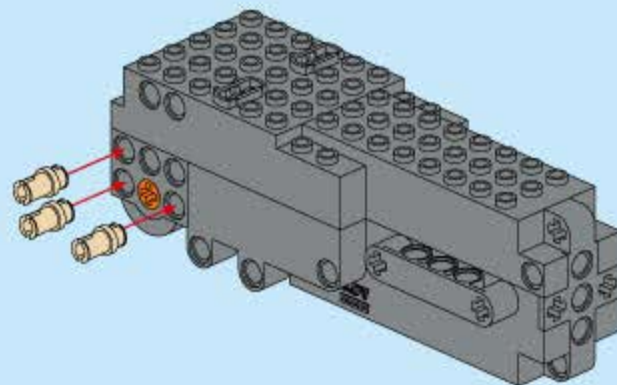
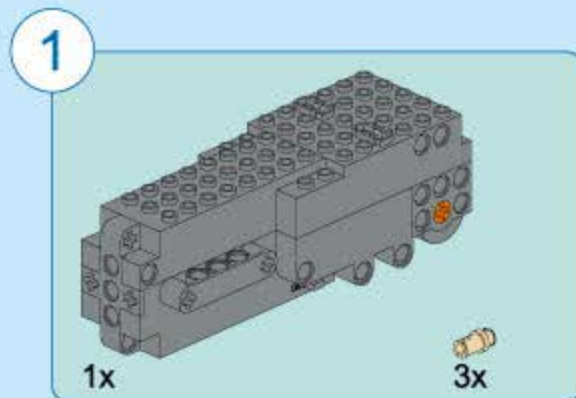
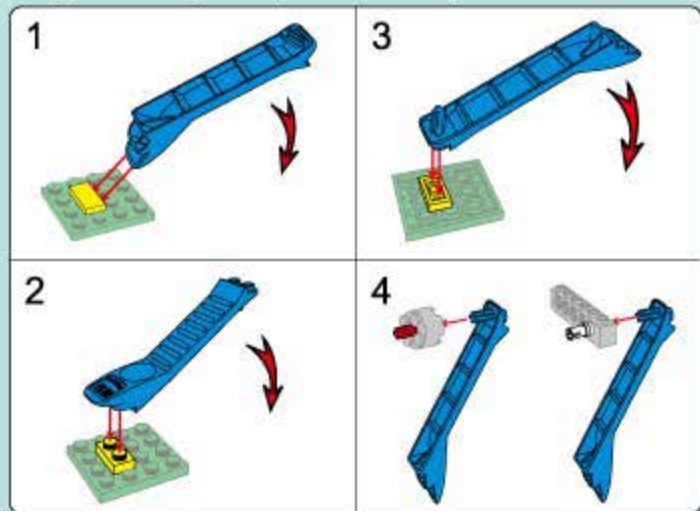
发现损坏时应停止使用,直至修复完好。

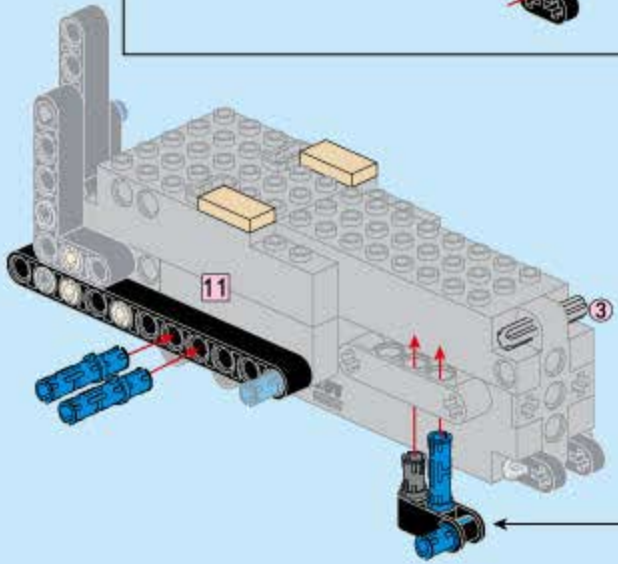
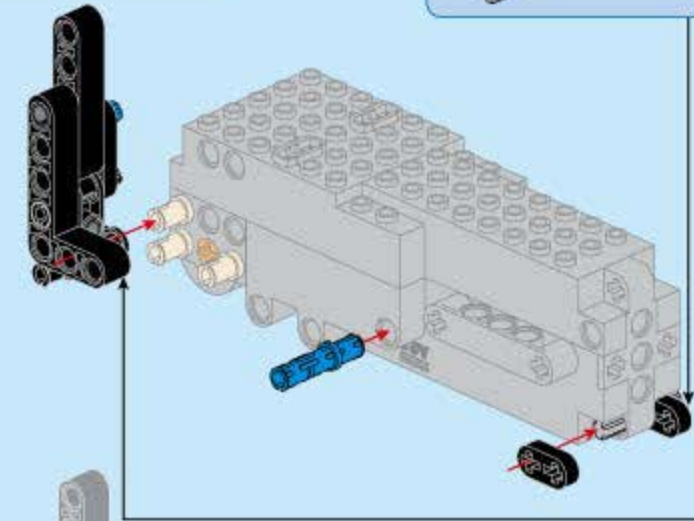
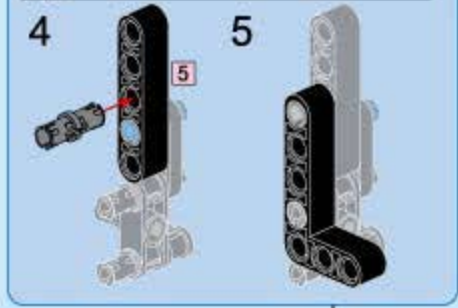
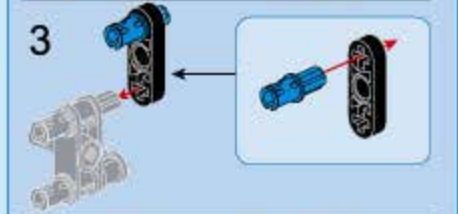
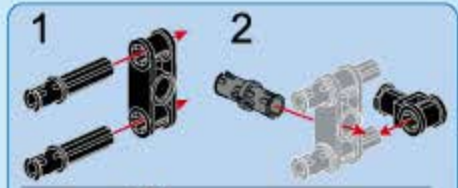
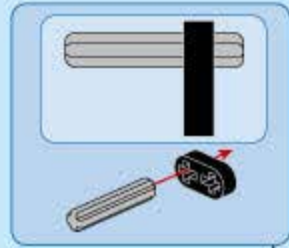
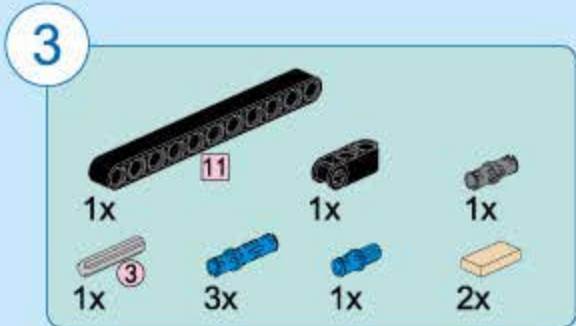
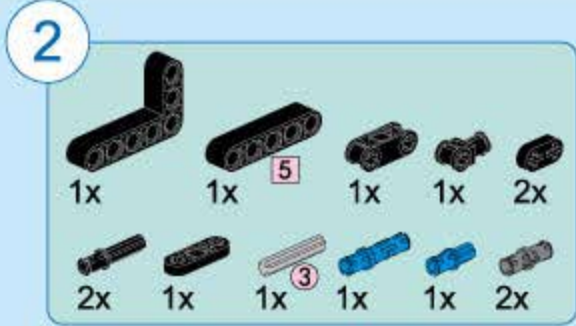
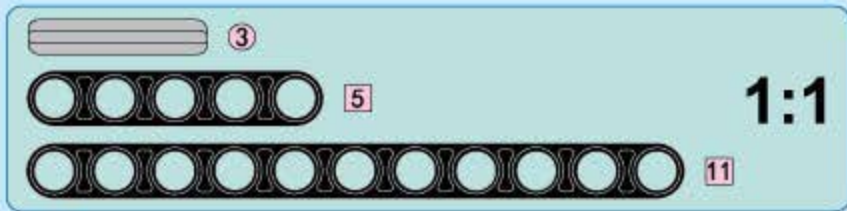
The remote control function keys vary with the product series.

遥控器功能按键随产品系列不同有所差异。

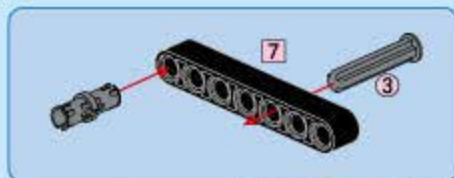
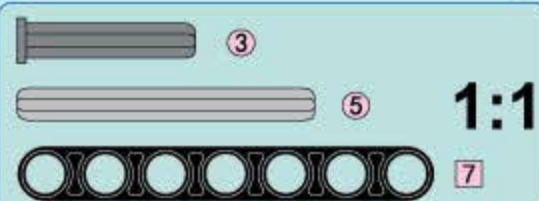
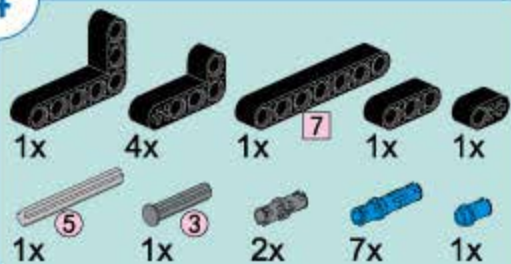


拆件器使用方法，仅为示例
Usage of Brick Separator, Just for the sample

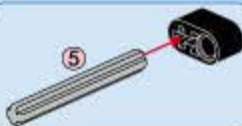
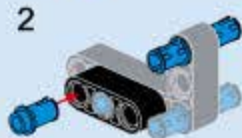
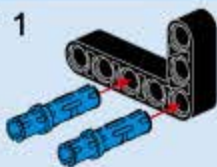
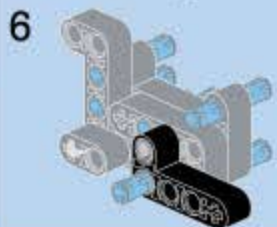
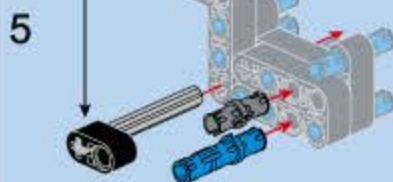
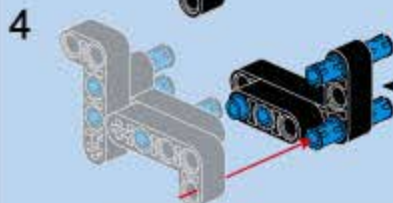
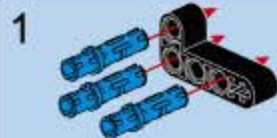
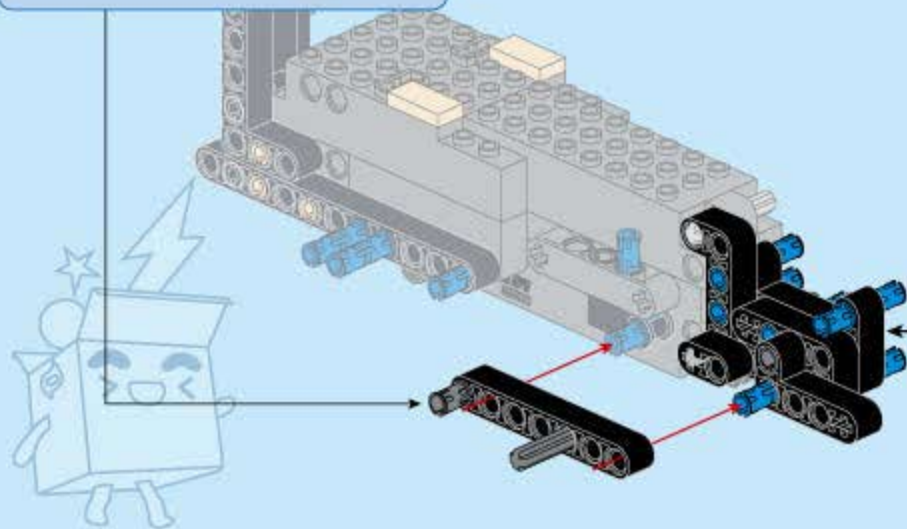


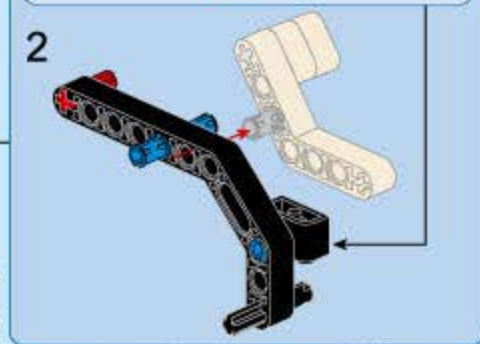
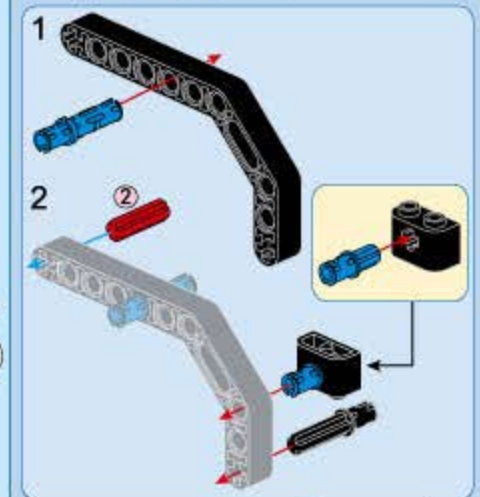
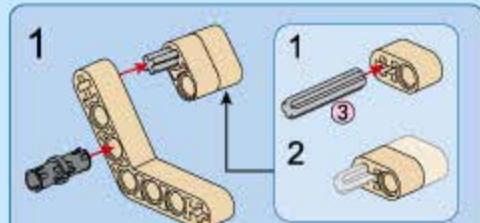
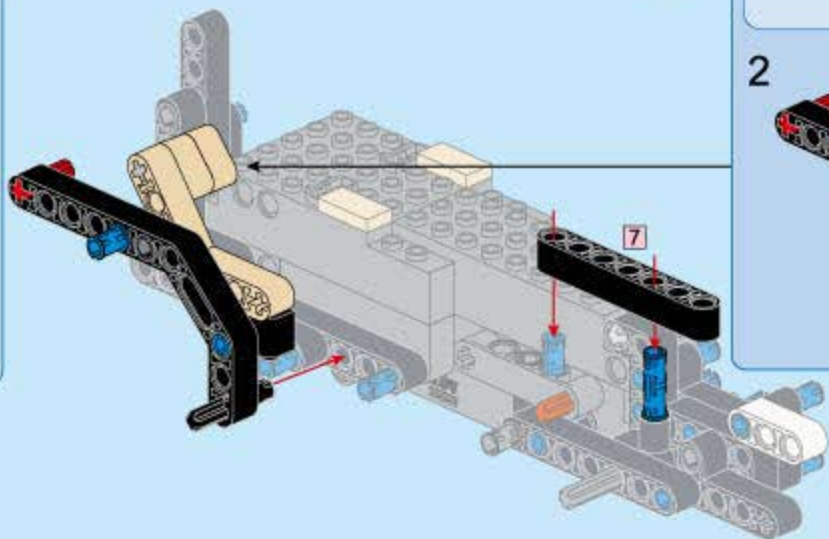
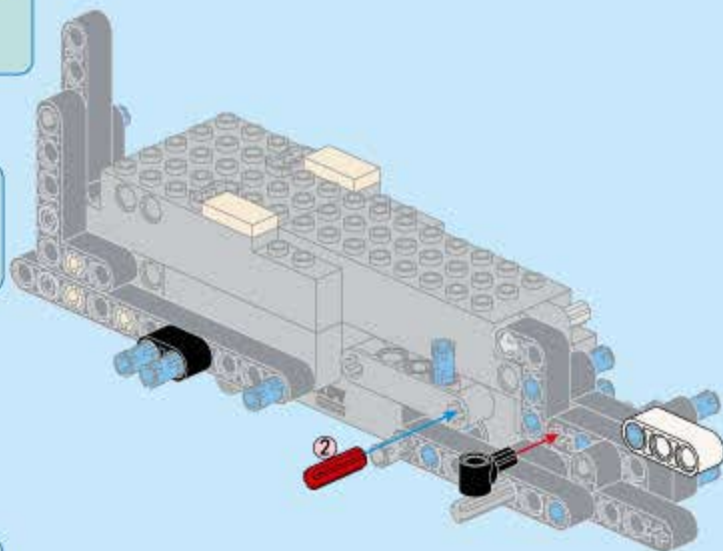
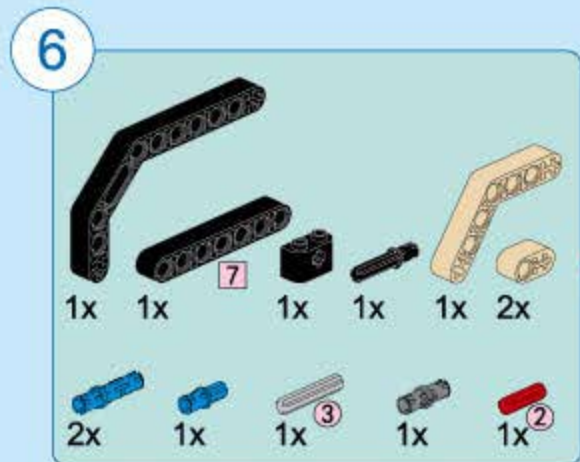
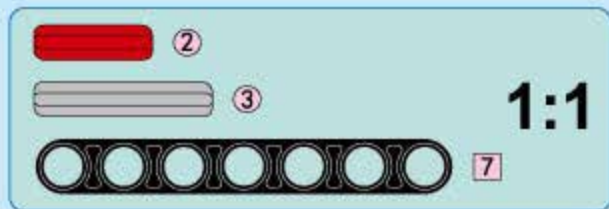


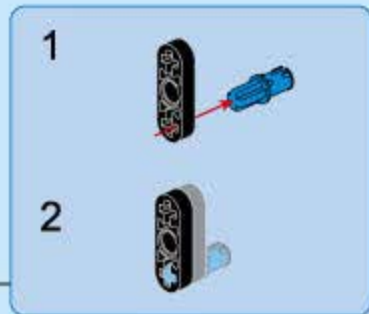
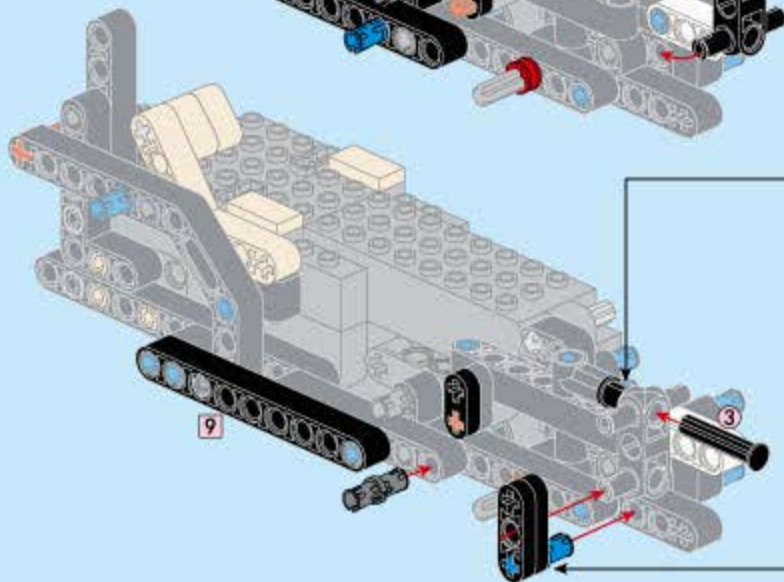
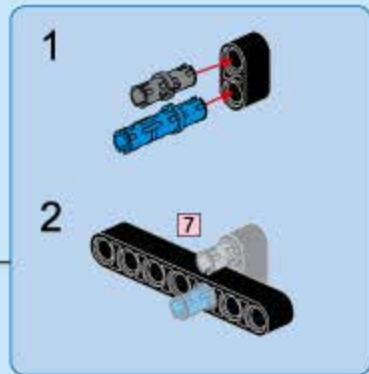
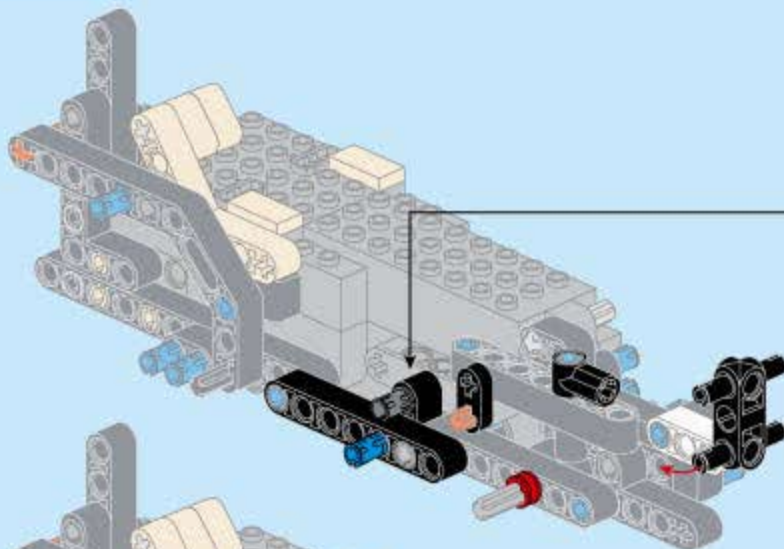
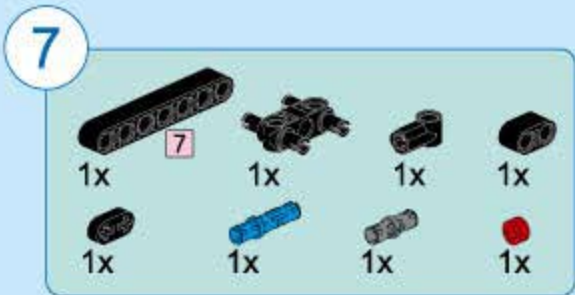
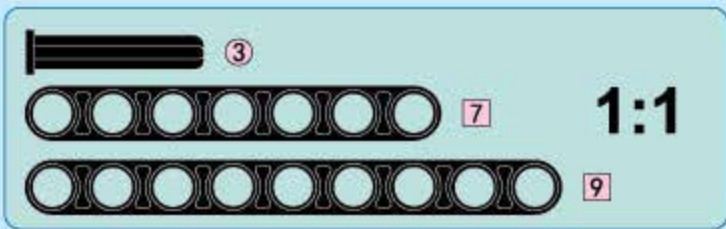
4

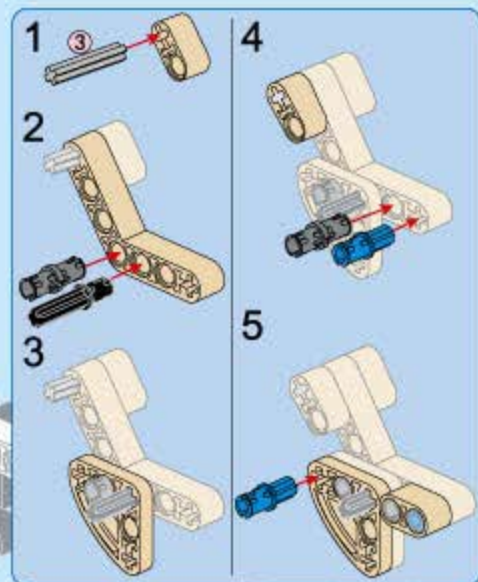
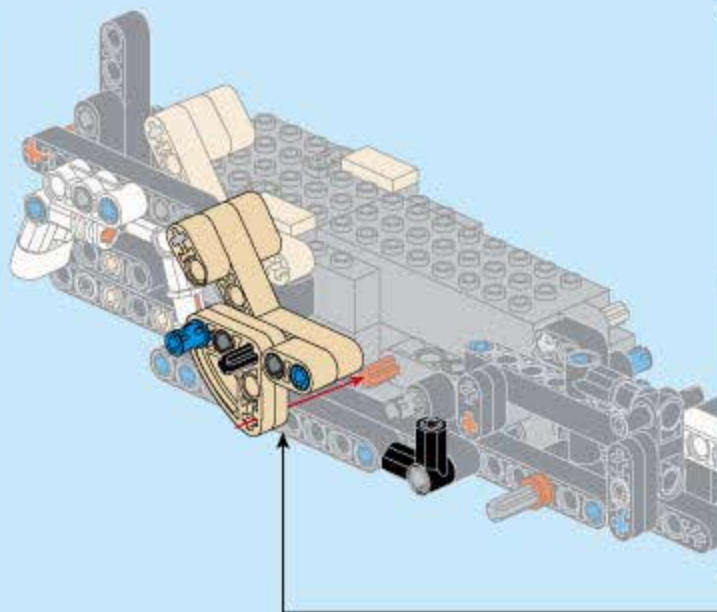
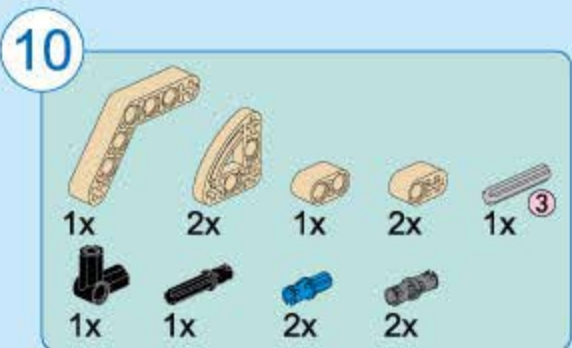
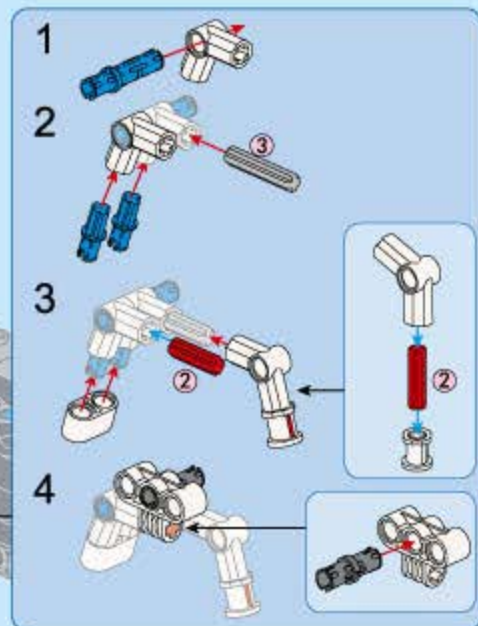
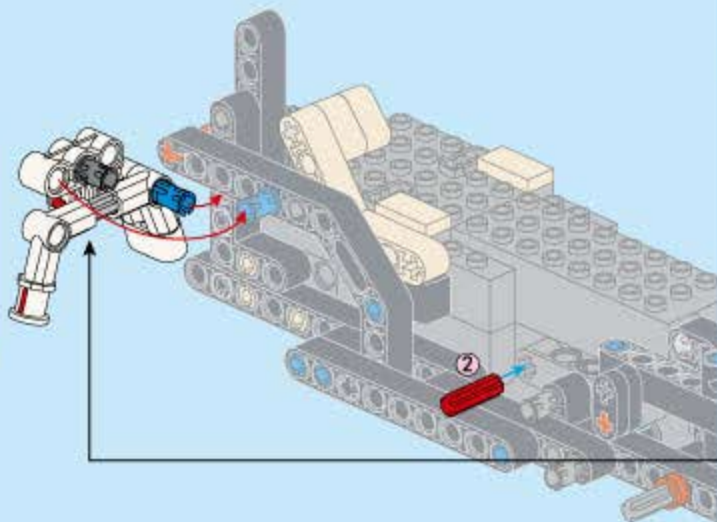


5

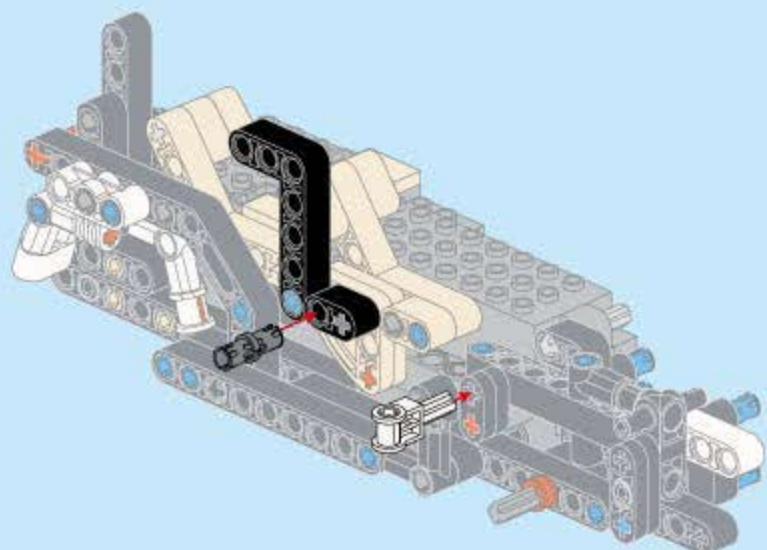




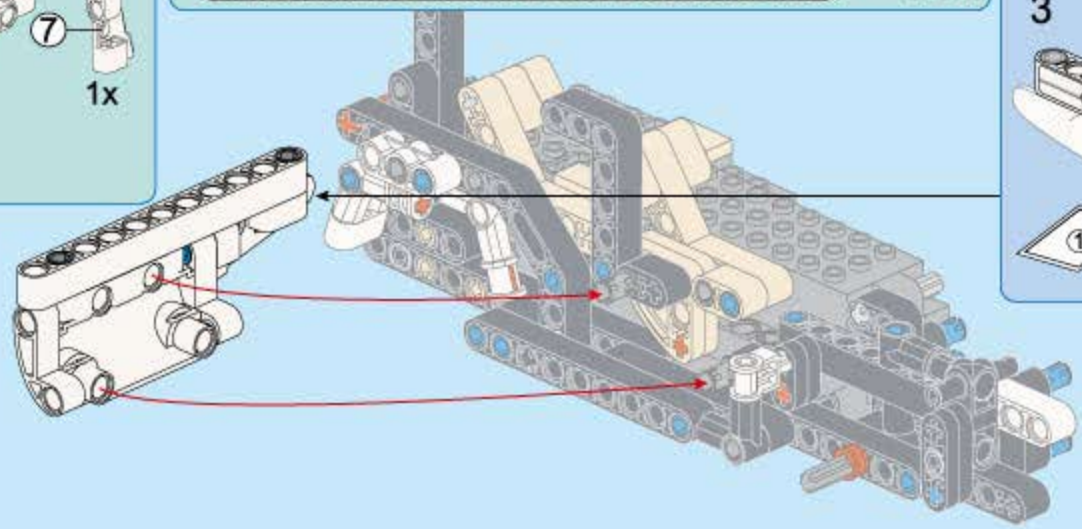
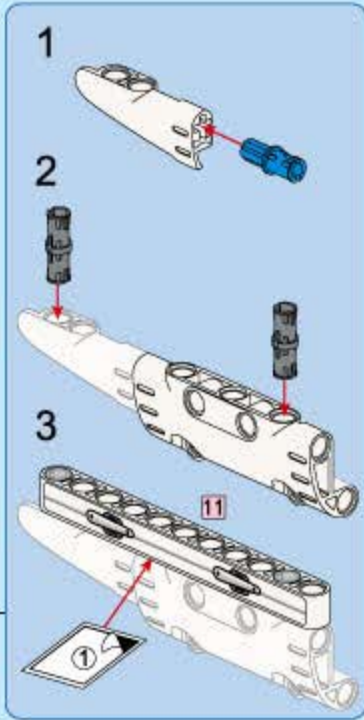
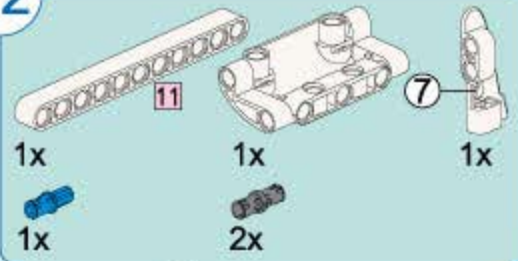


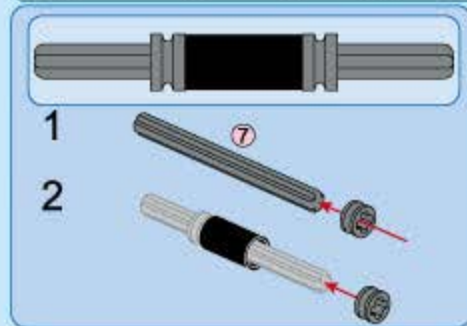
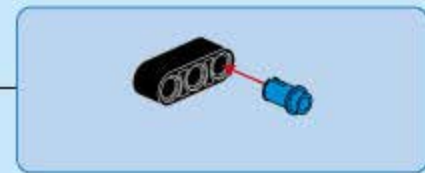
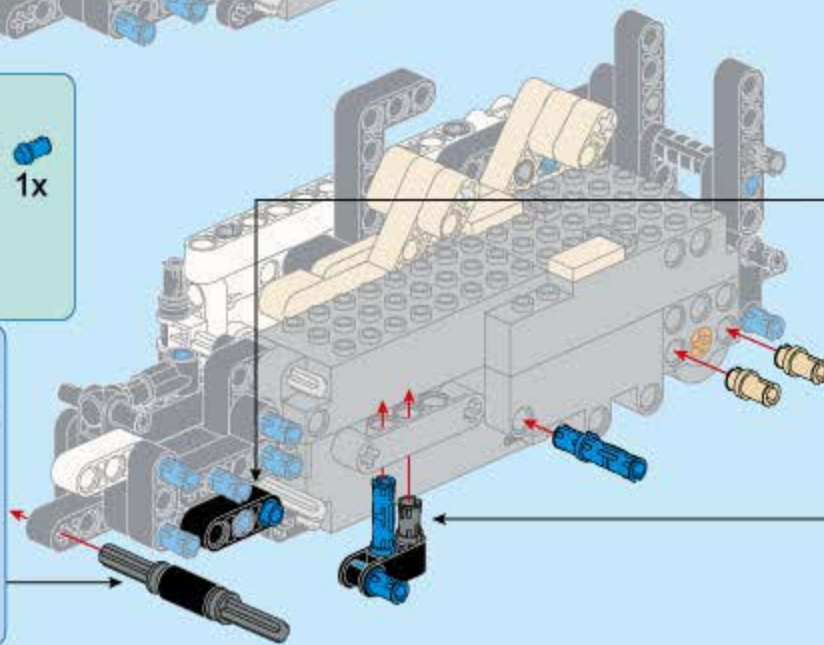
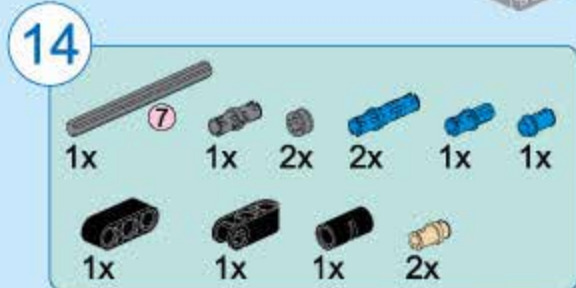
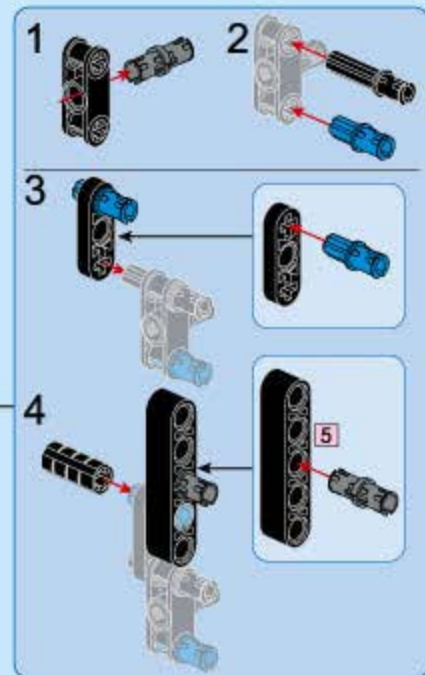
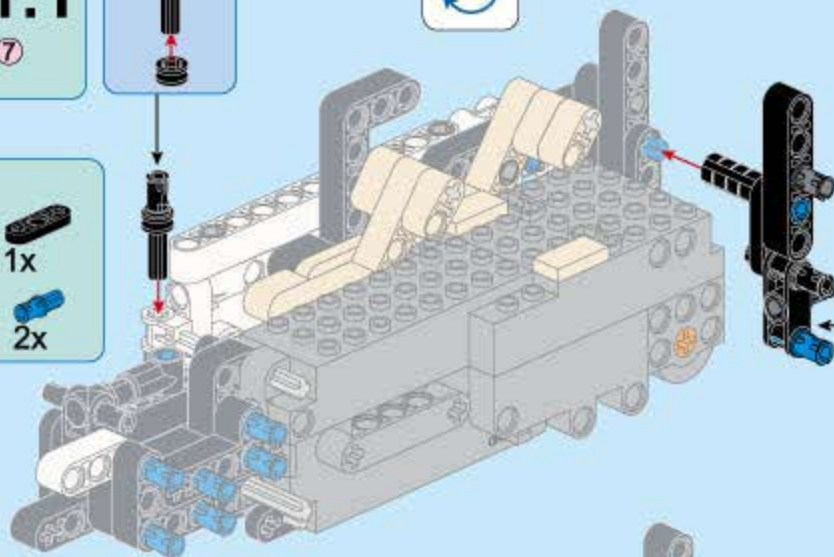


11



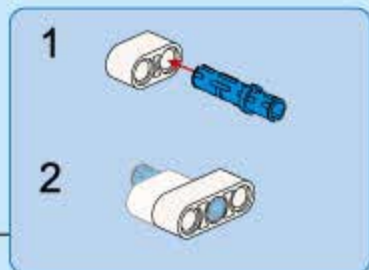
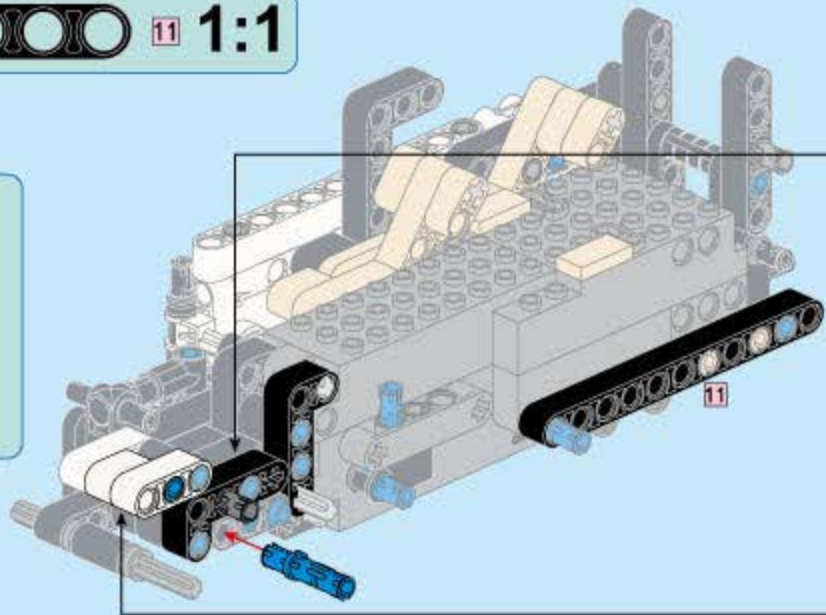
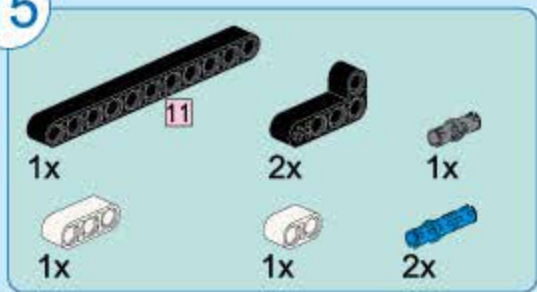
12



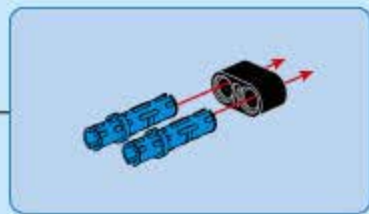
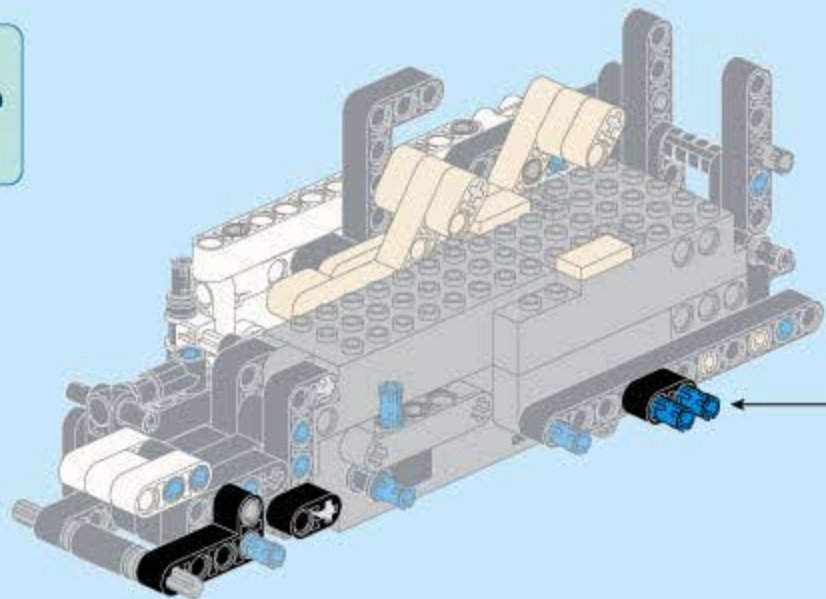


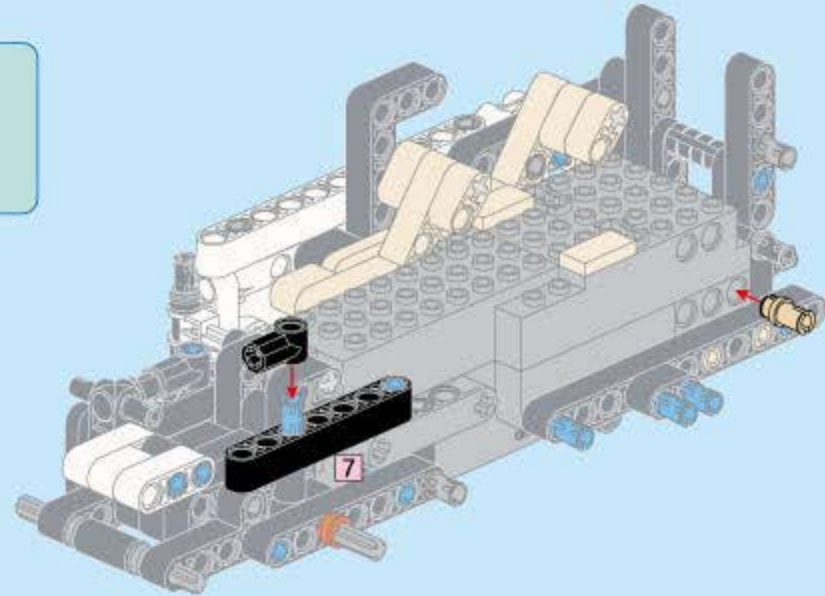
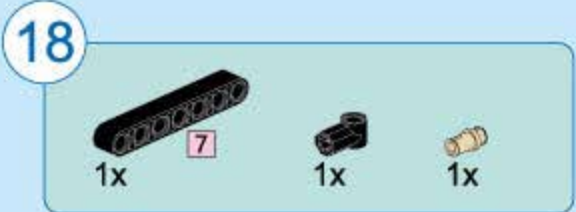
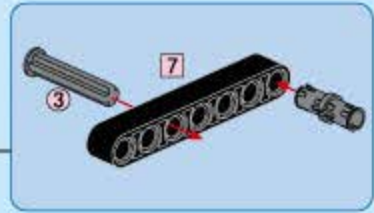
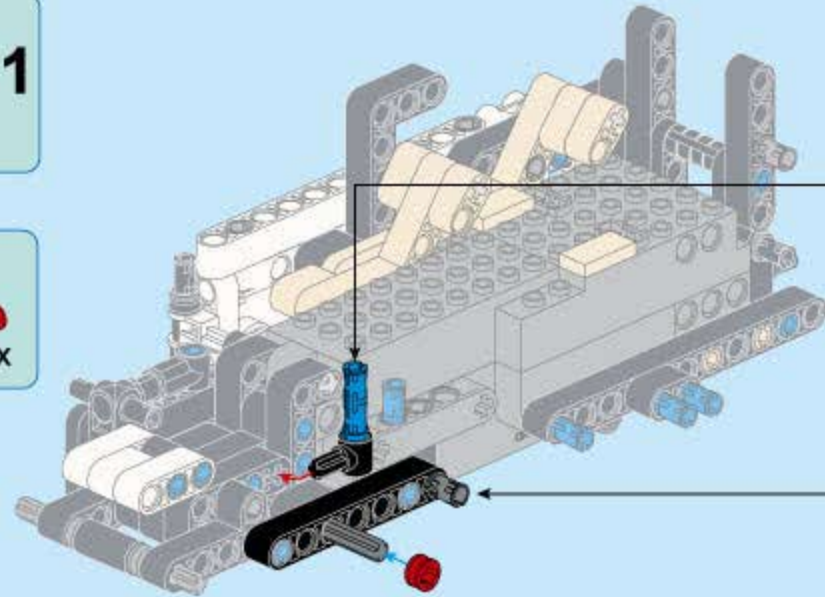
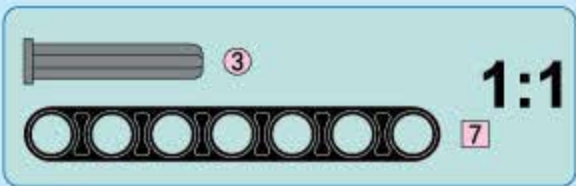


15



16





19



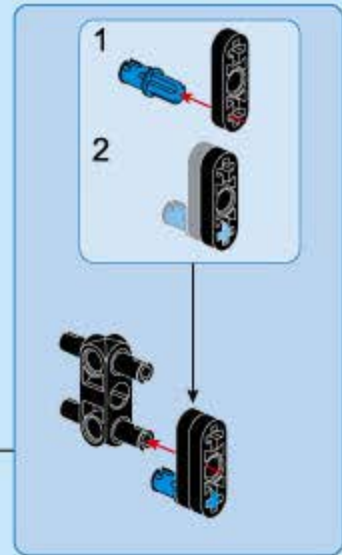
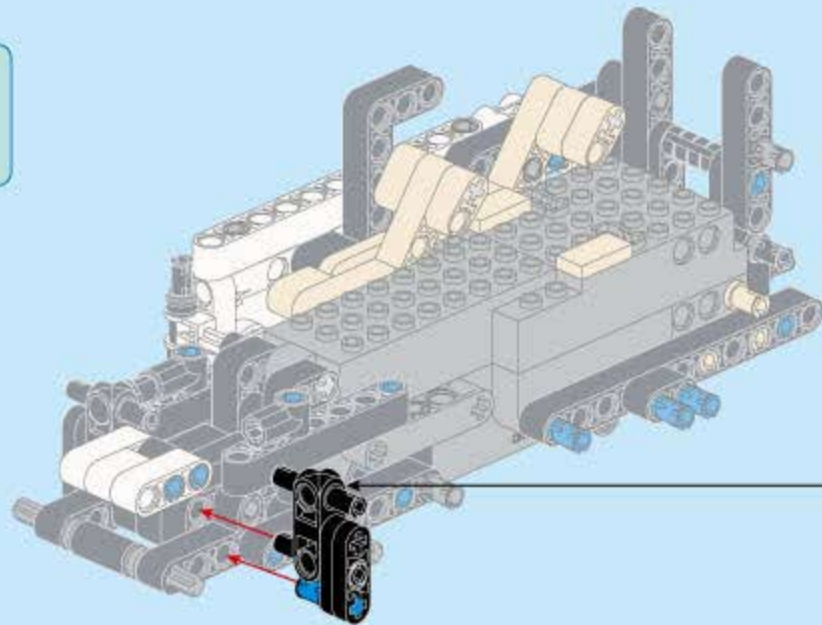
1x



2x



1x



20



1x

3

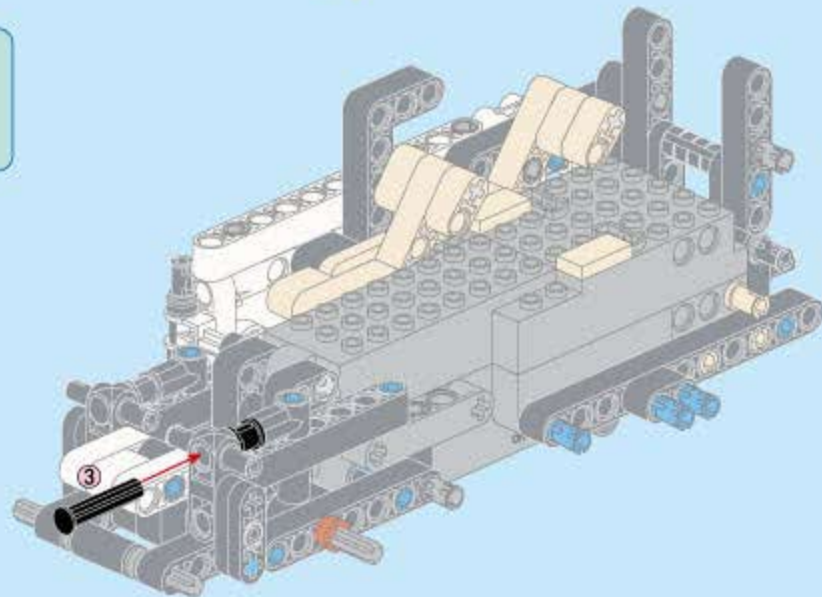


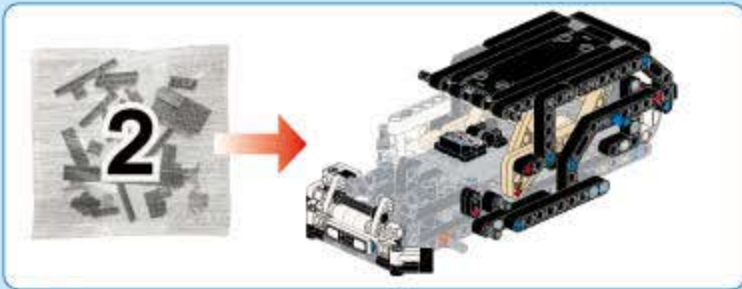
1x



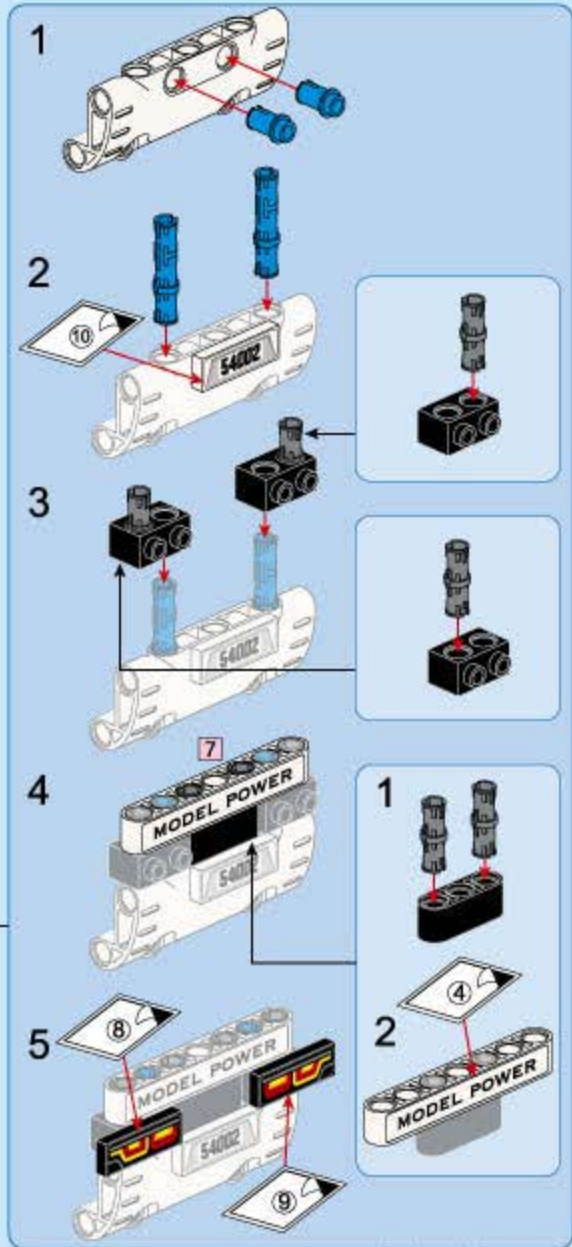
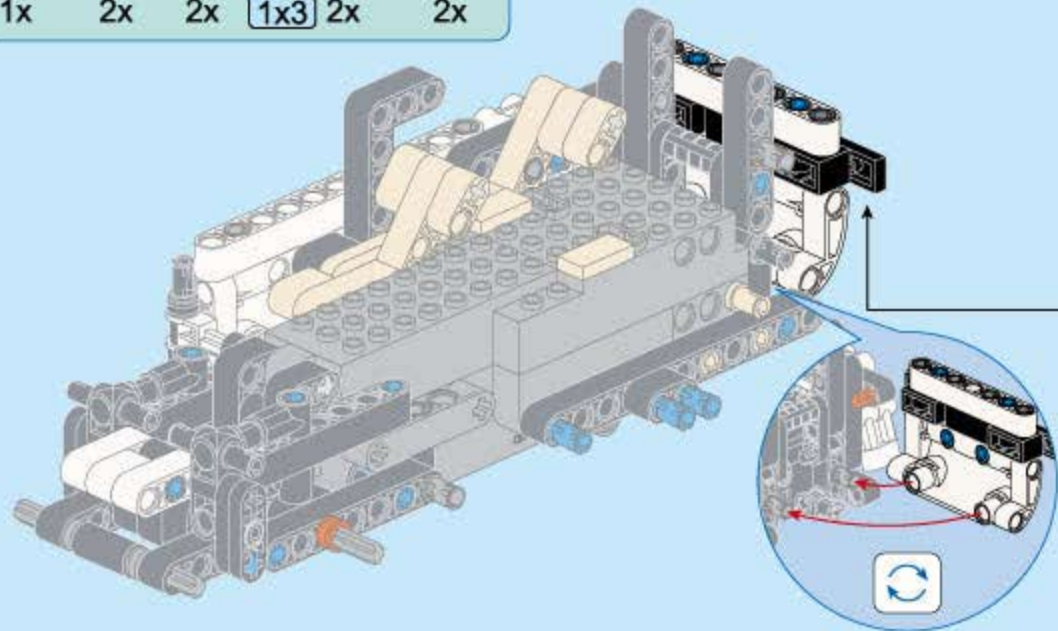
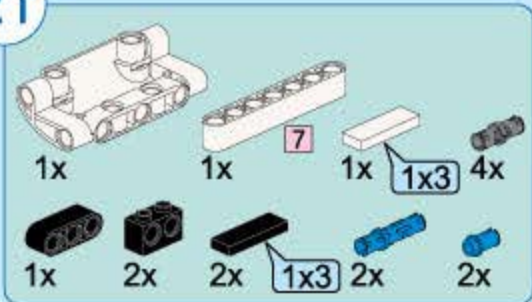
3

1:1

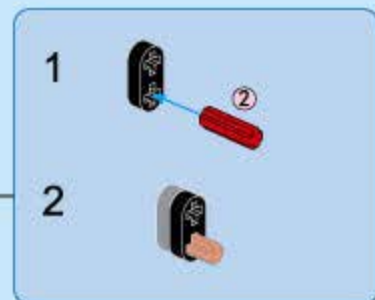
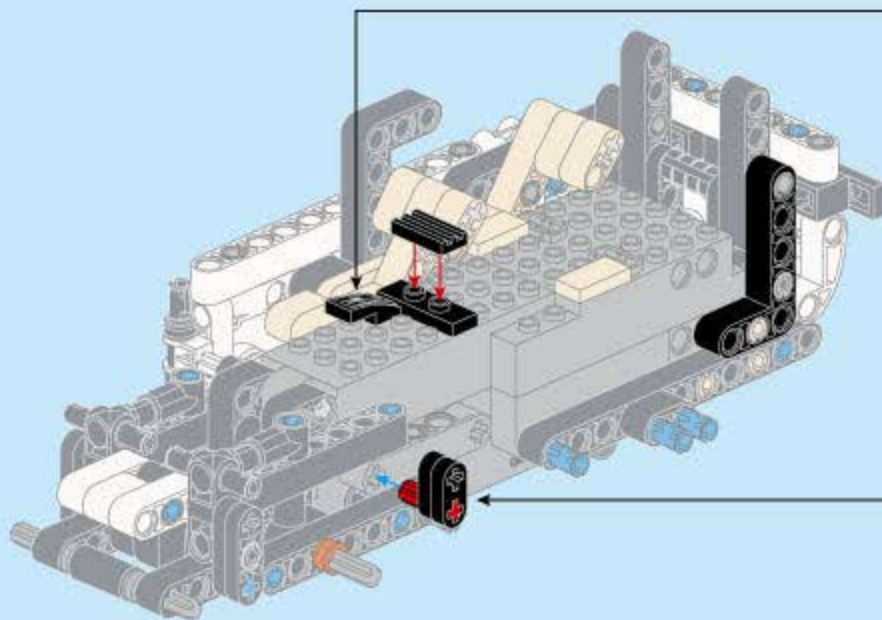




21

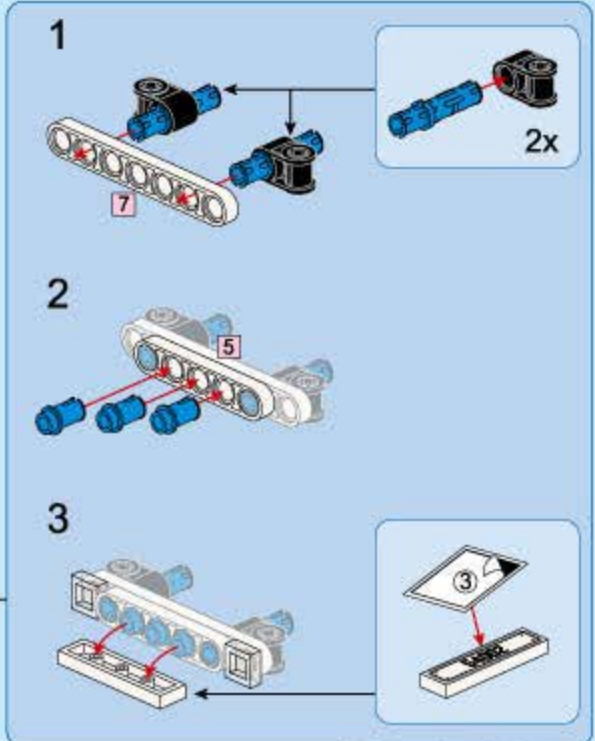
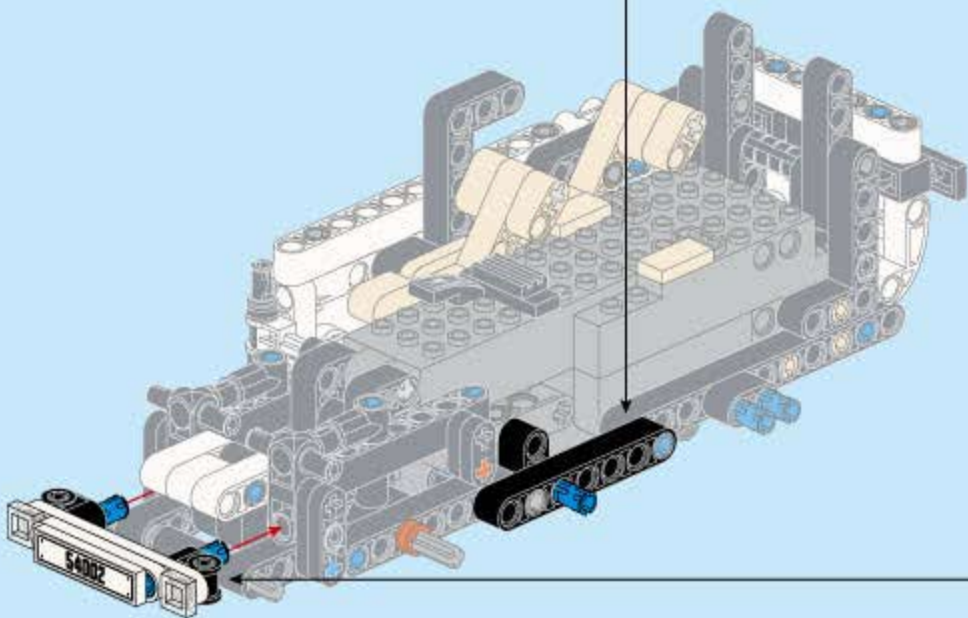
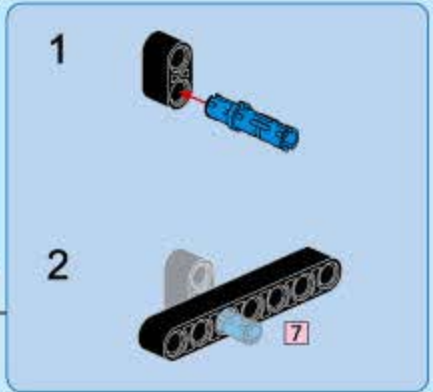
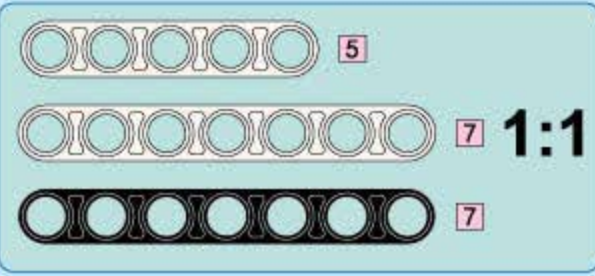


22



23

- 1x [7] (black 1x7 Technic beam)
- 2x [2] (black Technic bush)
- 1x [2] (black Technic bush)
- 2x [1] (white Technic bush)
- 1x [7] (white 1x7 Technic beam)
- 1x [5] (white 1x5 Technic beam)
- 1x [1x4] (white 1x4 Technic beam)
- 3x [3] (blue Technic pin)
- 3x [3] (blue Technic pin)



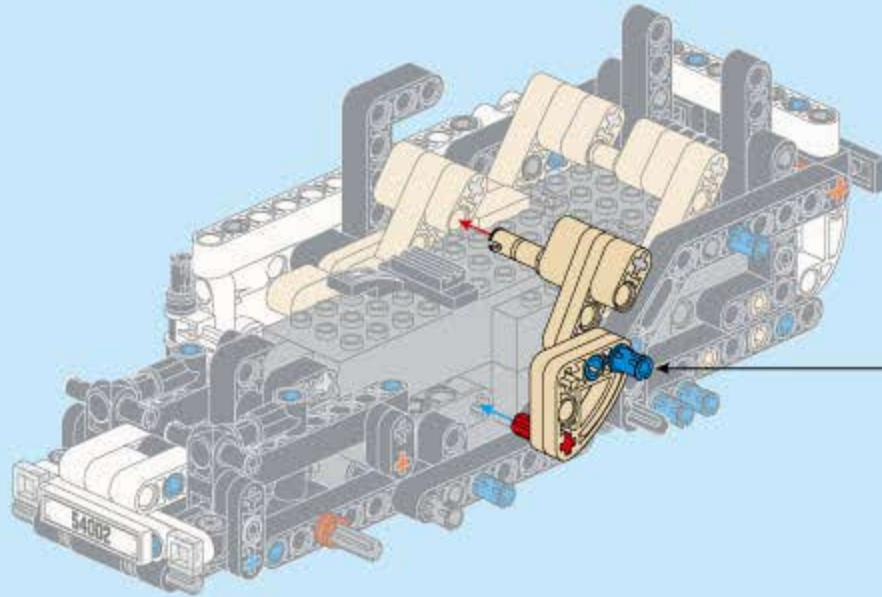
25

- 2x
- 2x
- 1x
- 2x
- 1x
- 1x
- 2x

②

③

1:1

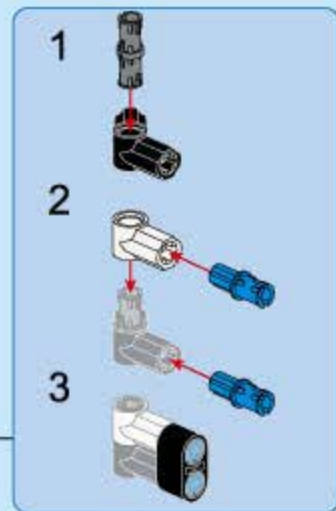
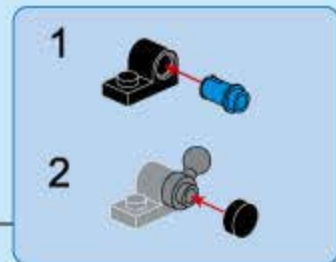
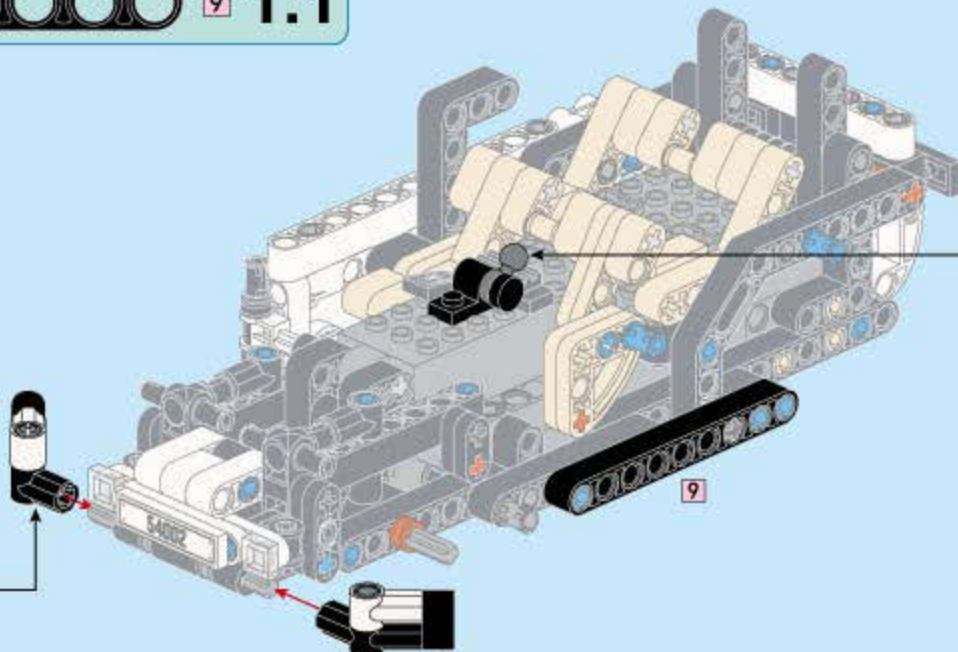
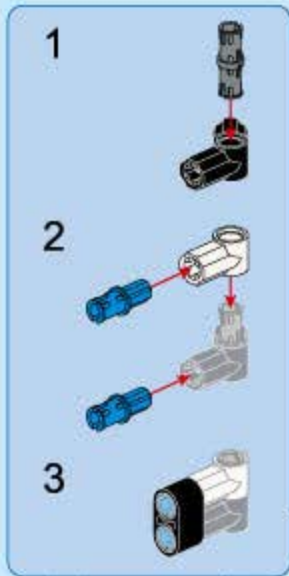
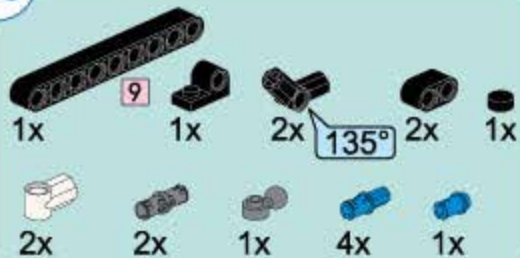


-
-
-
-
-

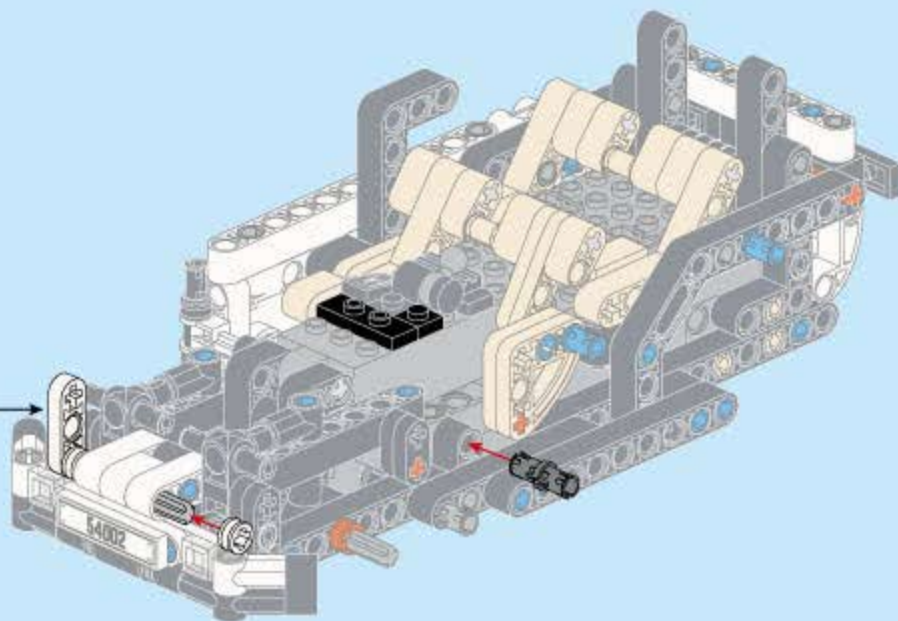
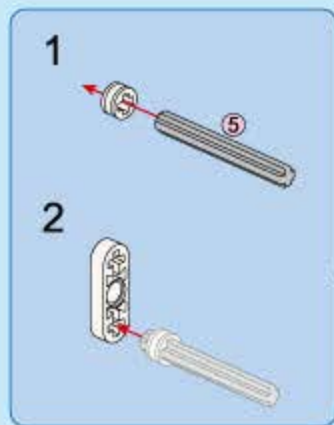
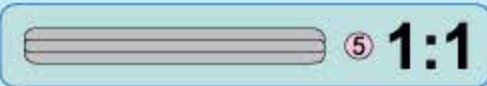
-
-
-



26



27



28



1x



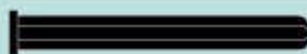
2x



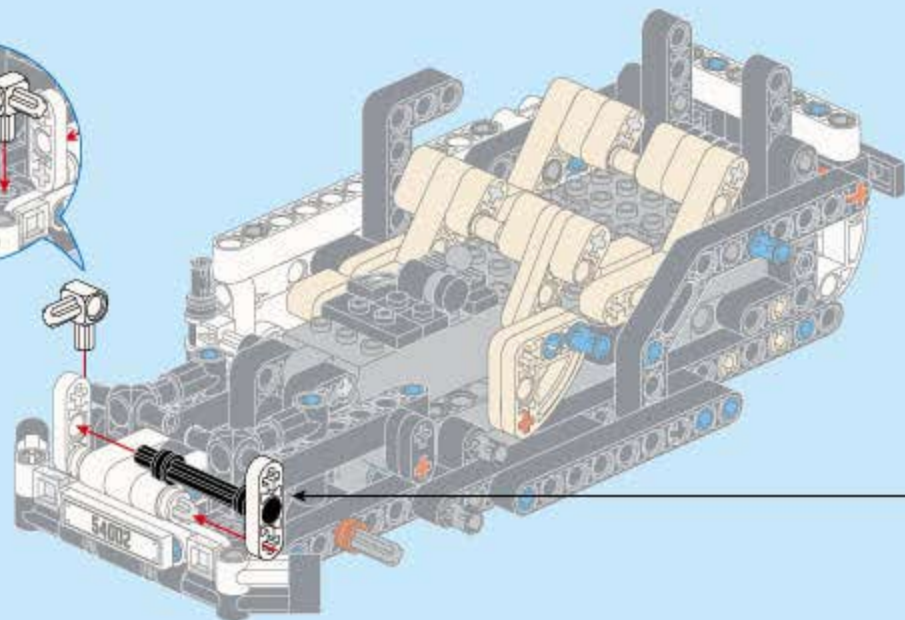
1x



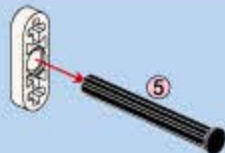
1x



1:1



1



2



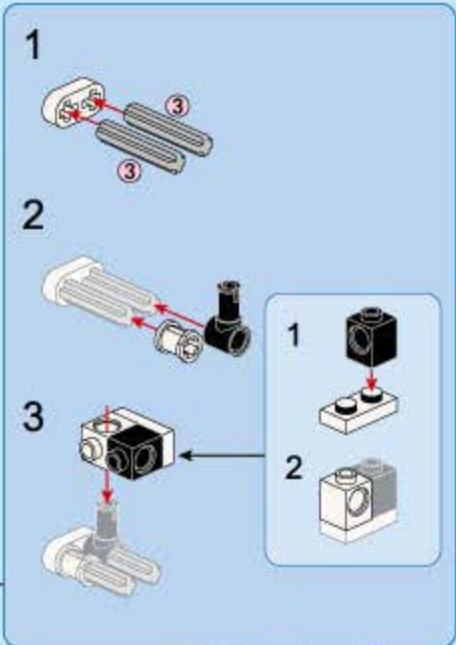
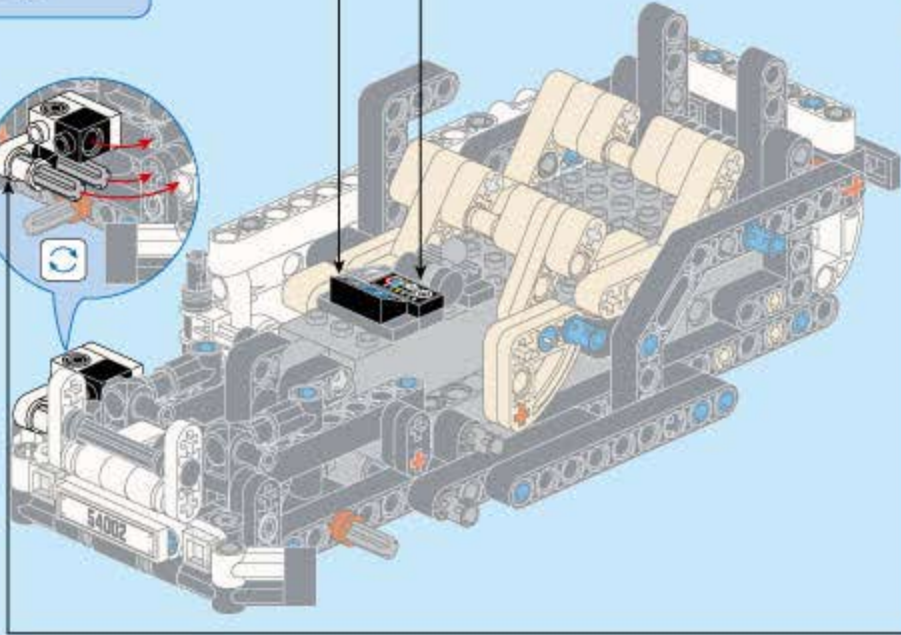
3

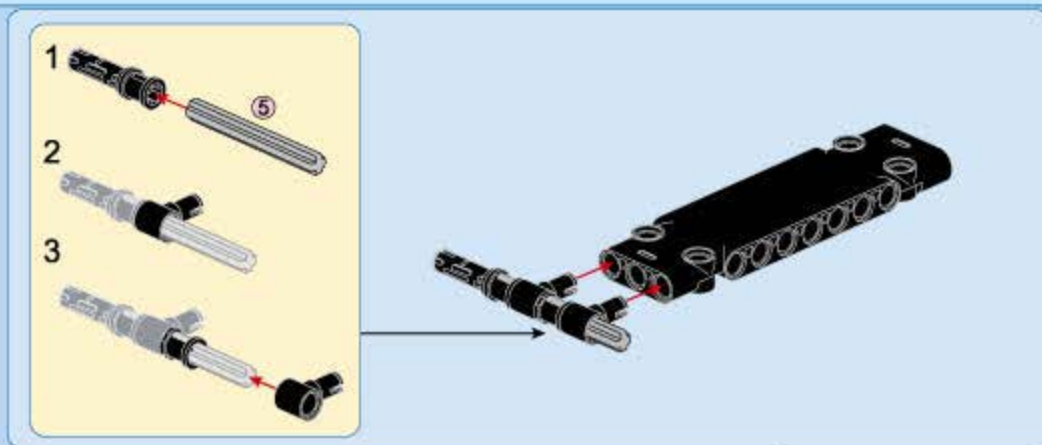
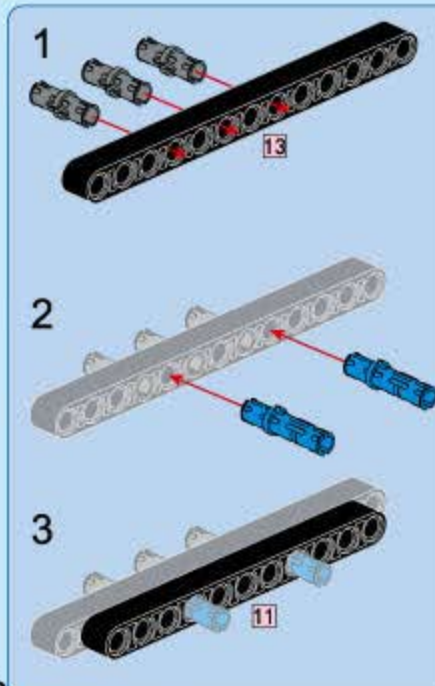
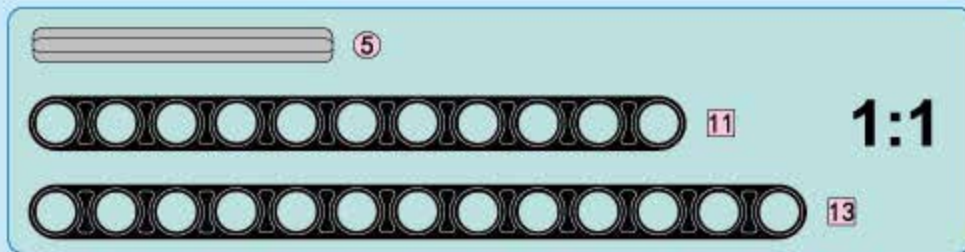


29

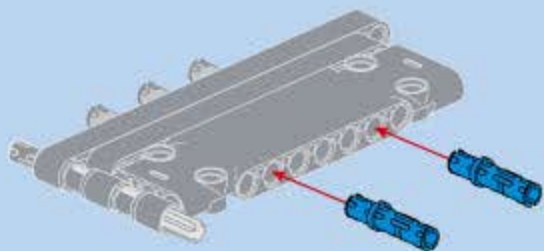
- 1x [Black 1x2 Technic Brick]
- 1x [Black 1x2 Technic Brick with Hole]
- 1x [Black 1x2 Technic Brick]
- 1x [Black 1x2 Technic Brick]
- 2x [Grey Technic Axle]
- 1x [White Technic Axle Pin]
- 1x [White Technic Axle Pin]
- 1x [White Technic Axle Pin]
- 1x [White Technic Axle Pin]

3 1:1

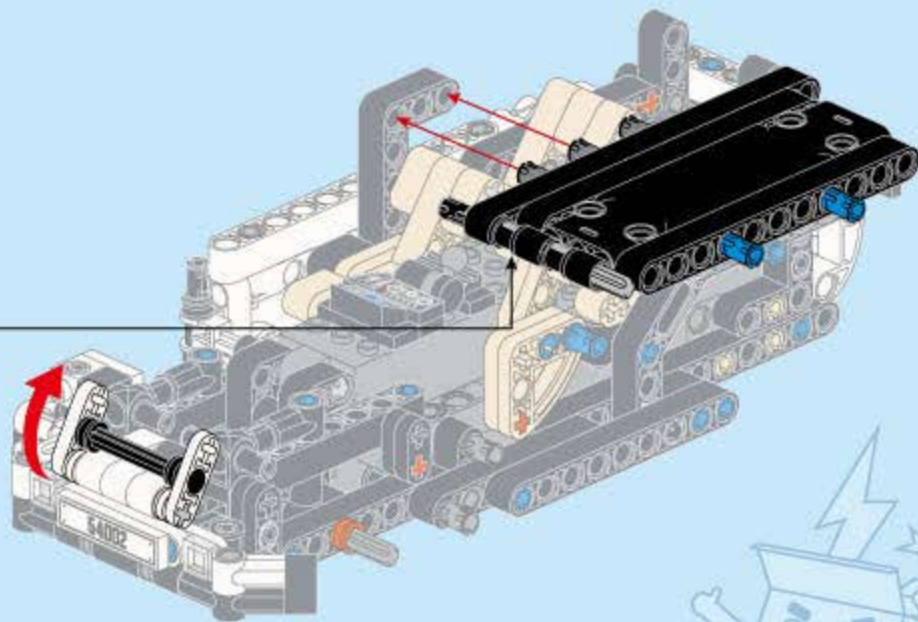
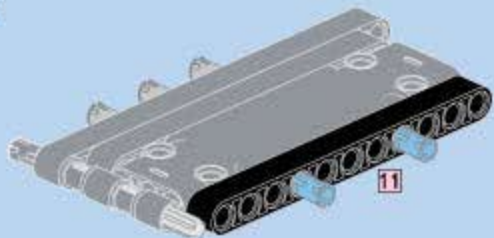










5

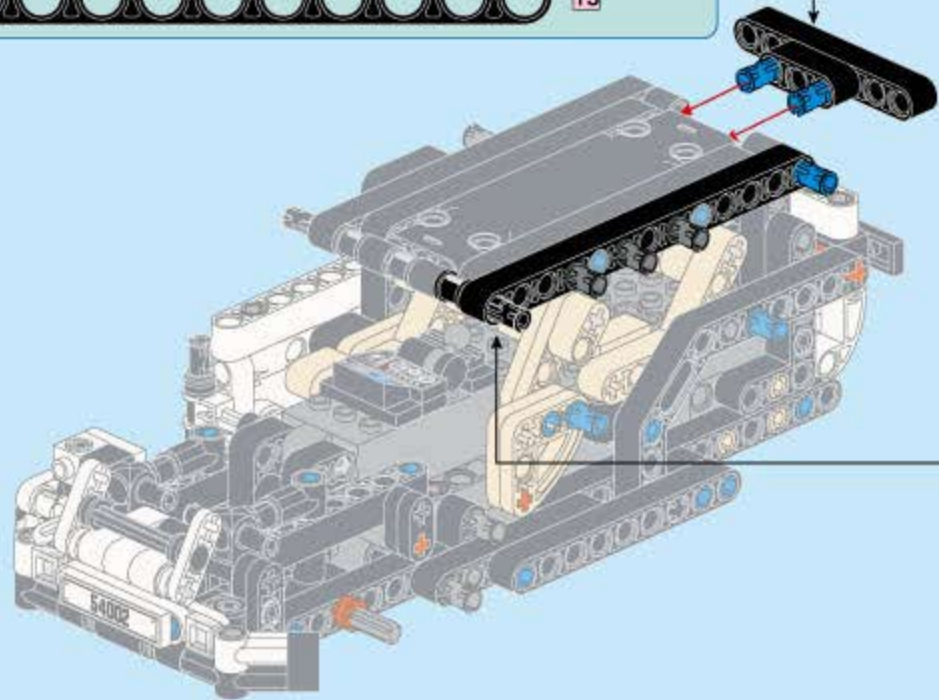
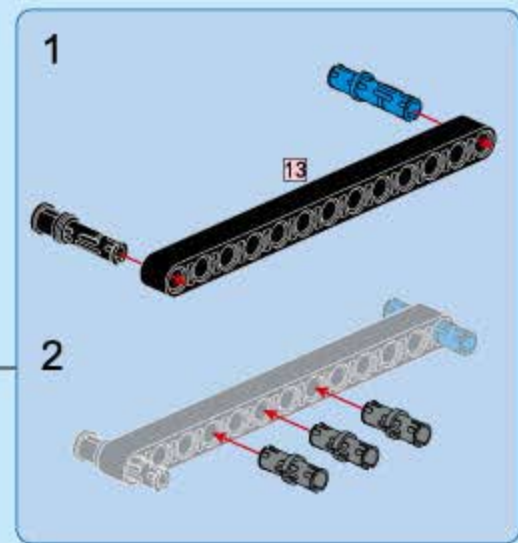
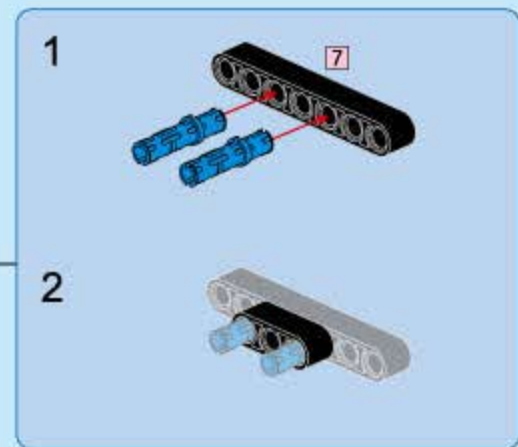
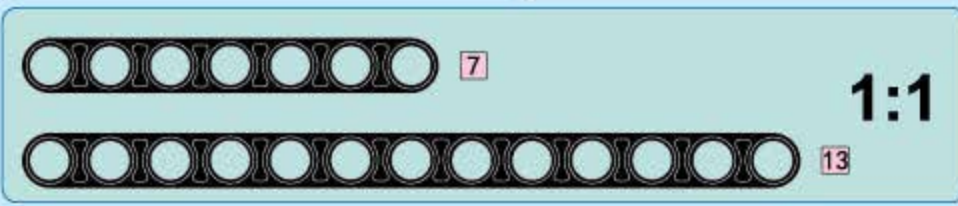


6



31

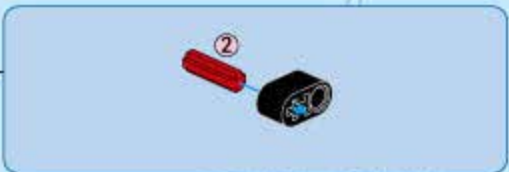
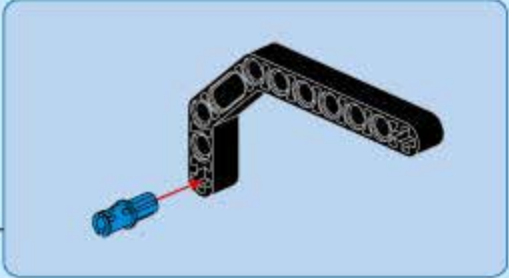
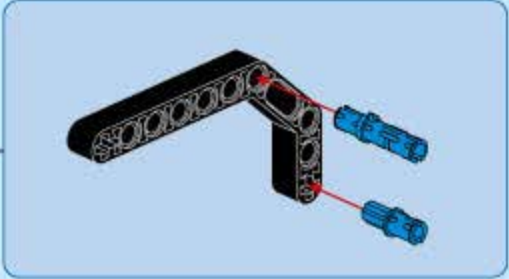
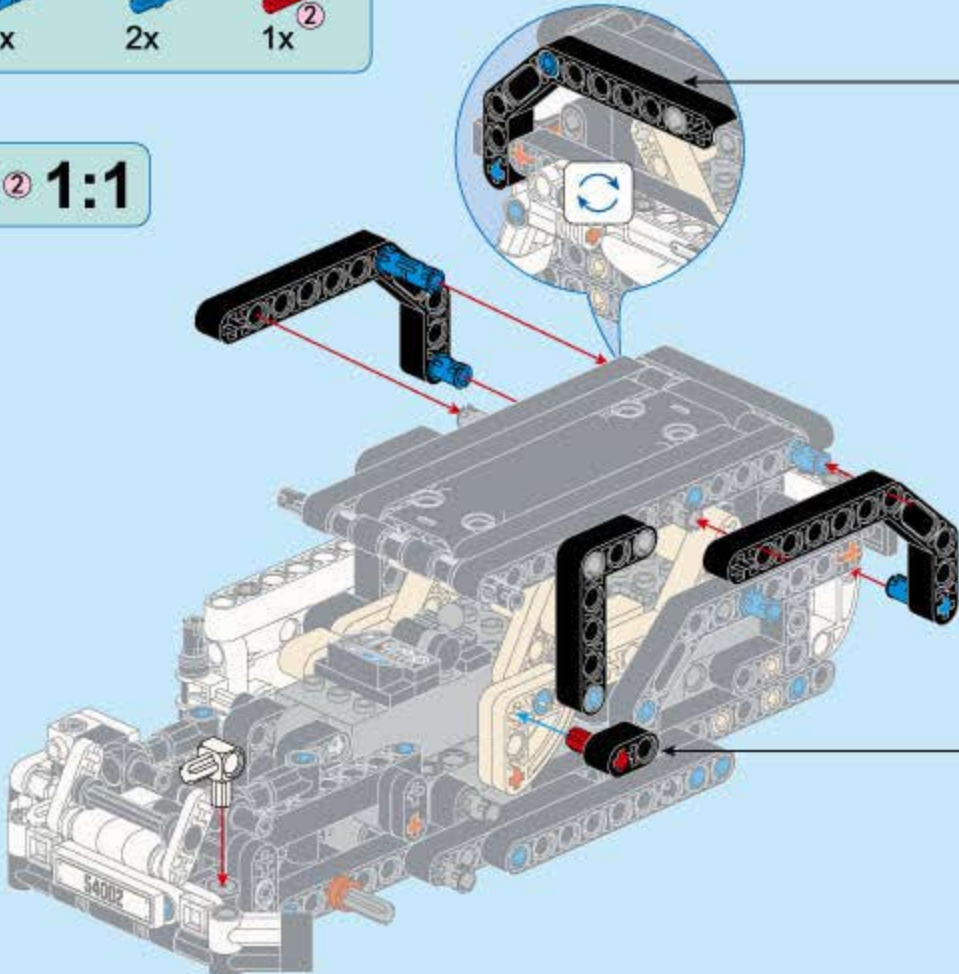
- 1x  13
- 1x  7
- 1x 
- 1x 
- 3x 
- 3x 

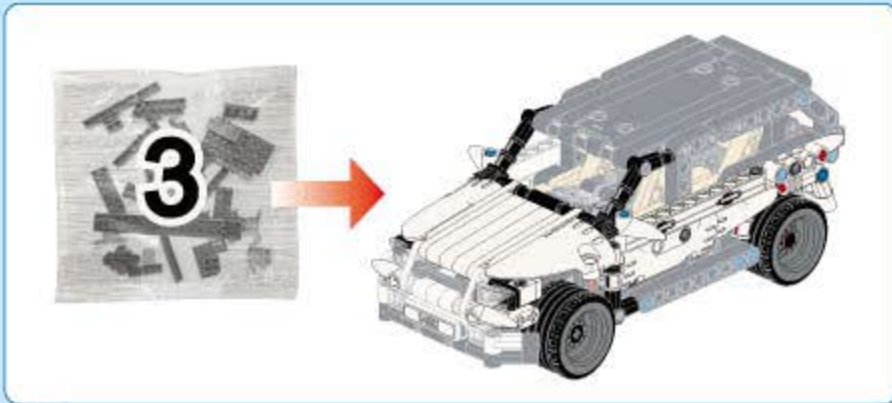


32

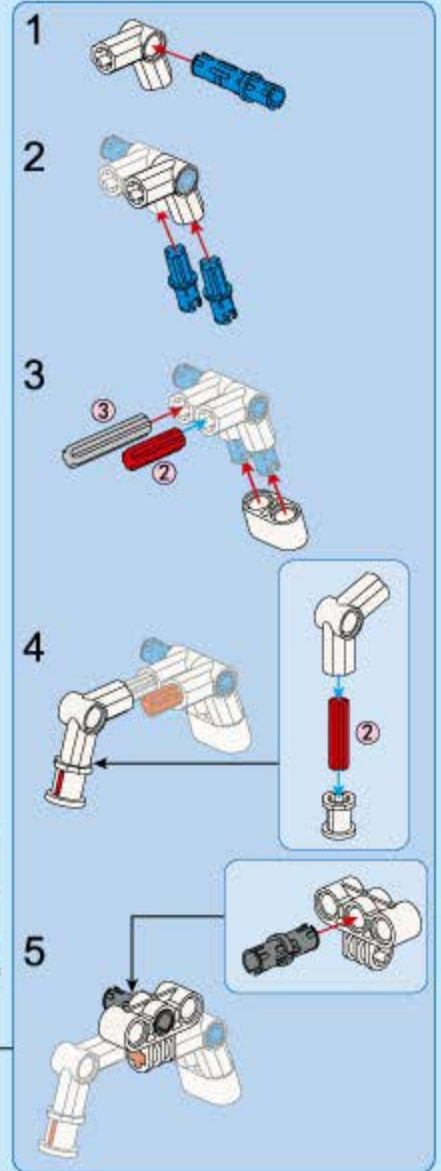
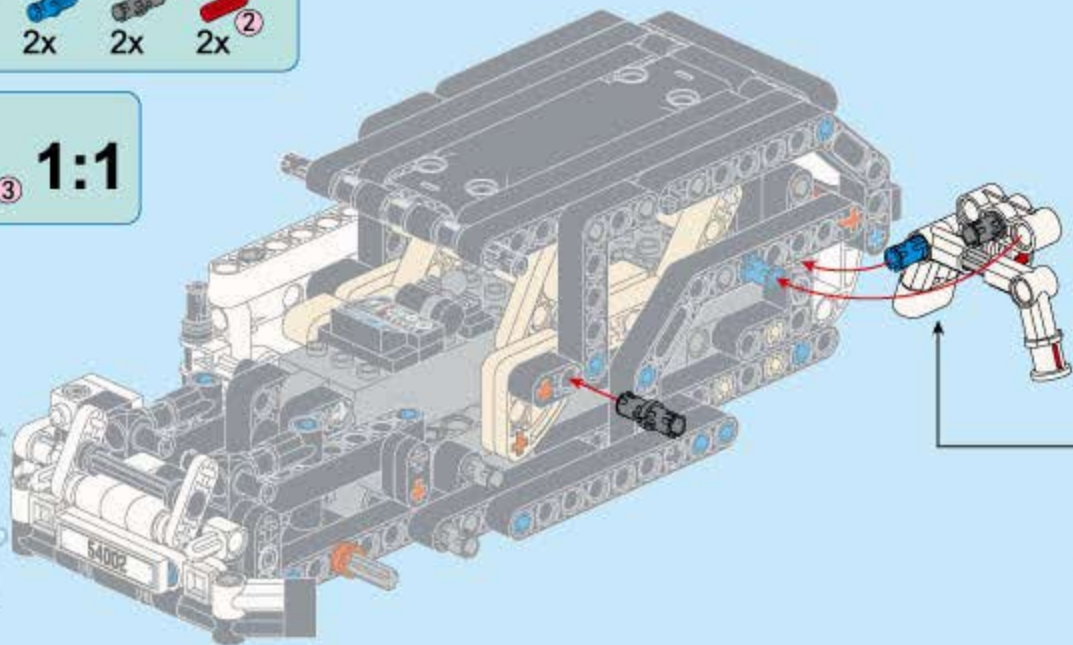
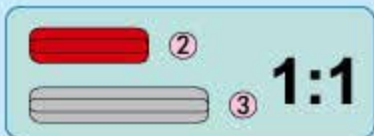
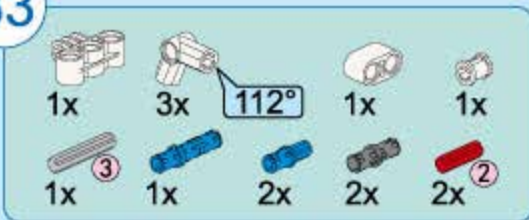
- 2x [L-shaped Technic Beam 1x5 with 2 holes]
- 1x [L-shaped Technic Beam 1x3 with 2 holes]
- 1x [Black Technic Pin]
- 1x [White Technic Pin]
- 1x [Blue Technic Pin]
- 2x [Blue Technic Pin]
- 1x [Red Technic Pin]

[Red Technic Pin] ② 1:1

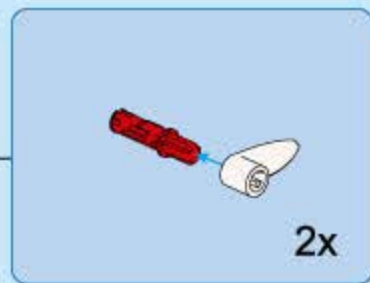
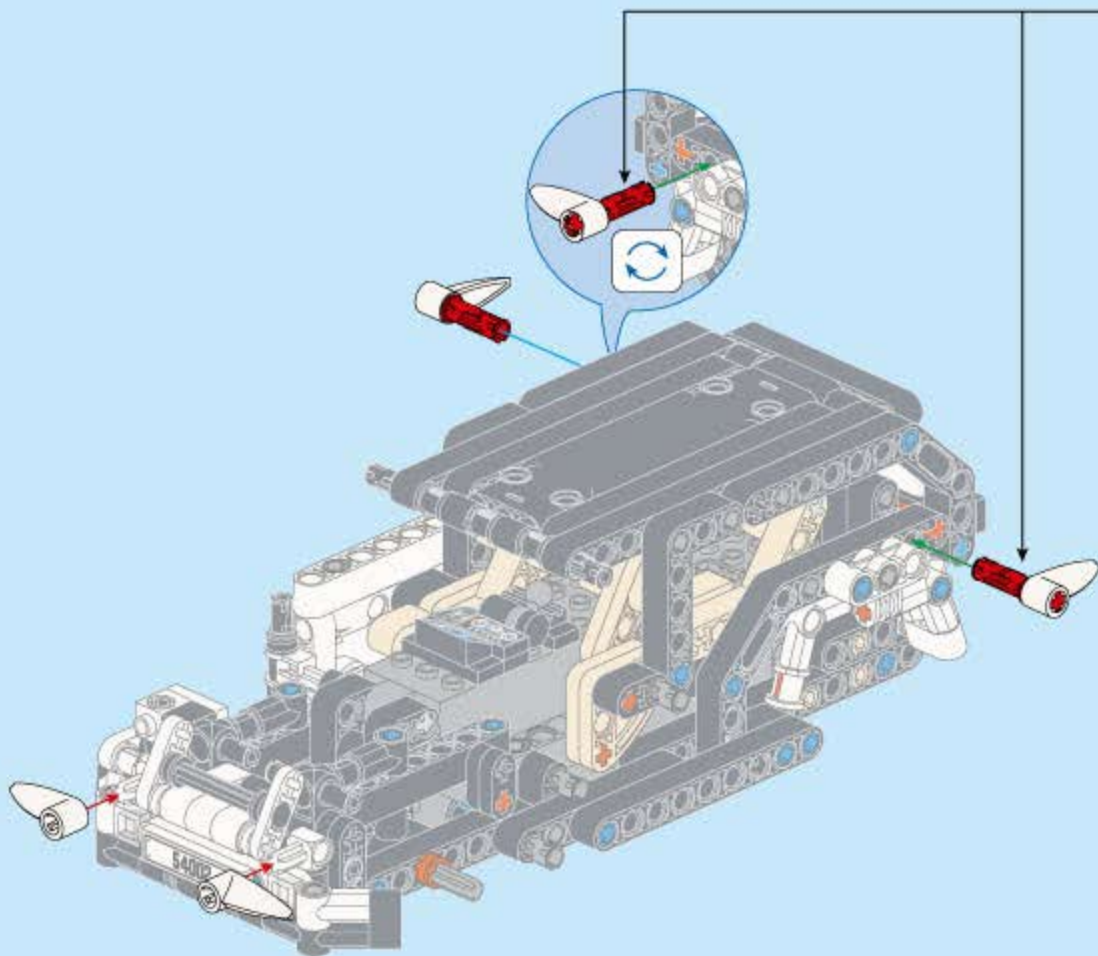




33



34



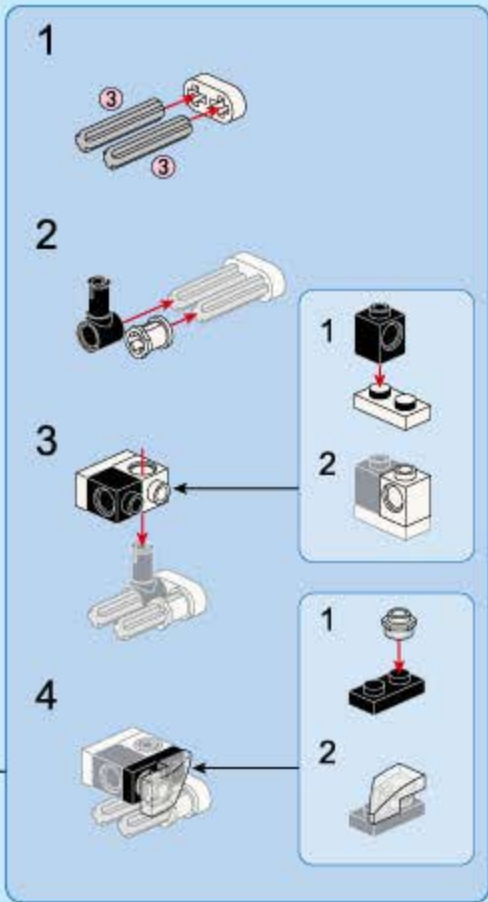
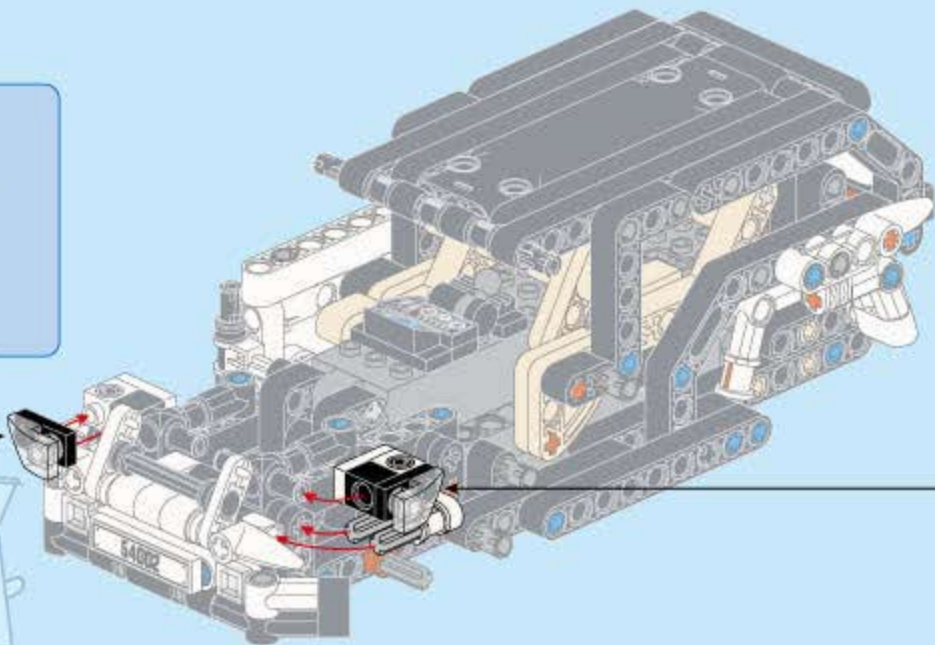
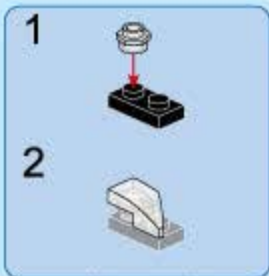
35

 2x	 1x	 1x	 2x ^③
--	--	--	---

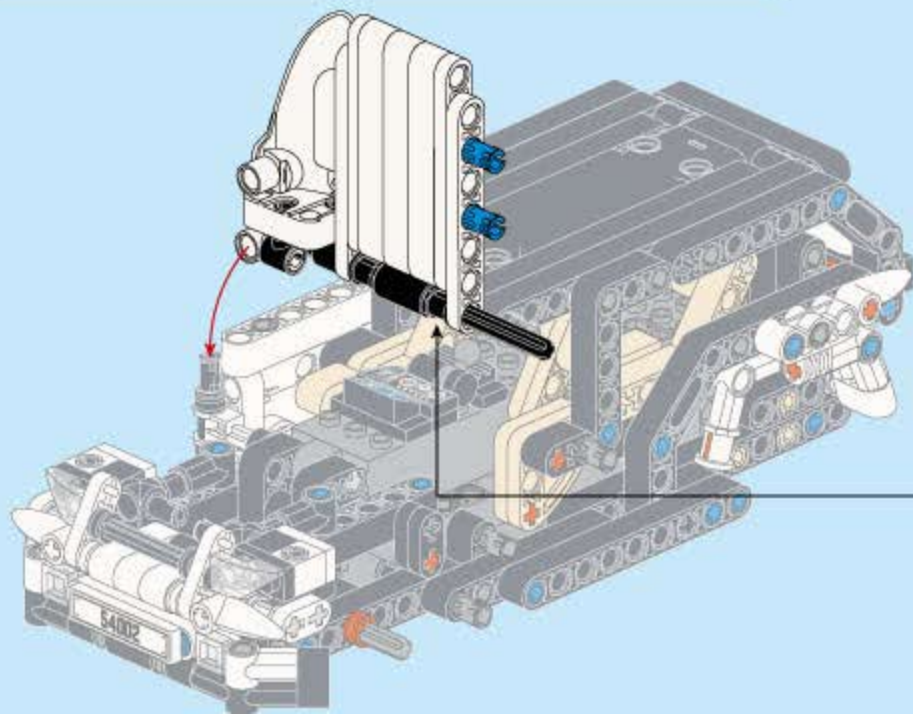
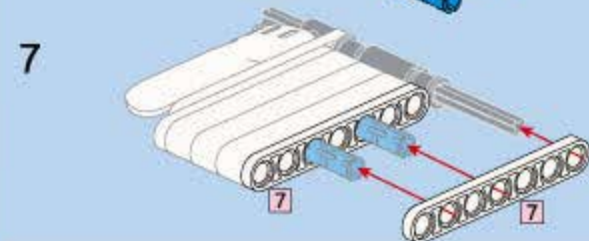
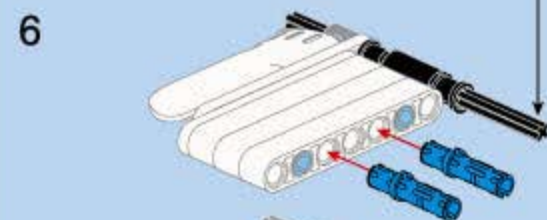
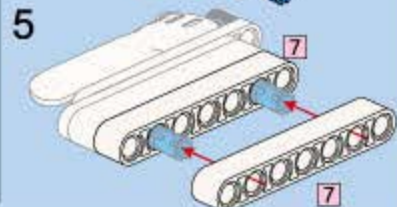
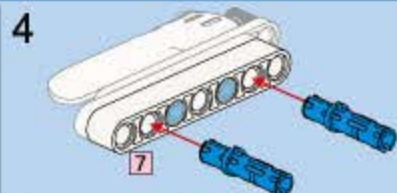
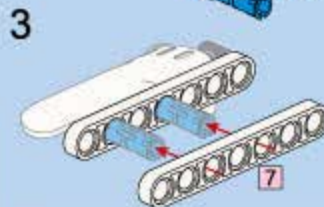
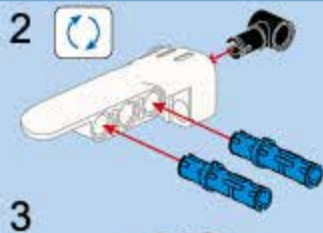
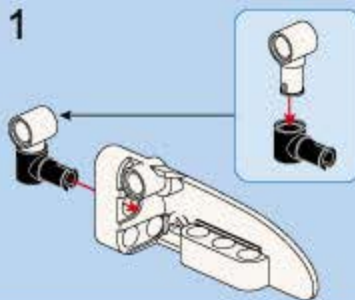
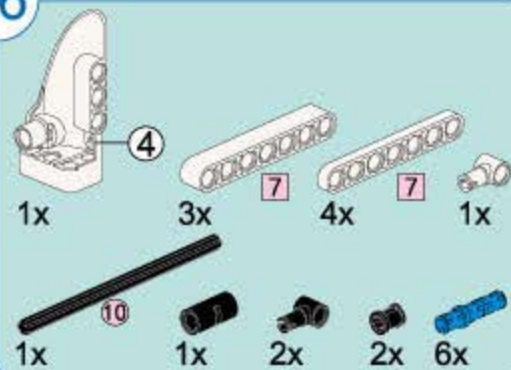
 1x	 1x	 1x	 1x
--	--	--	--

 1x	 1x	 2x
--	--	--

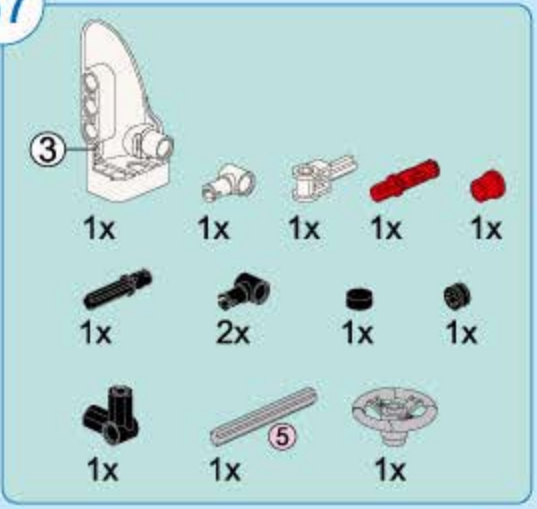
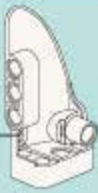











 ^③ 1:1



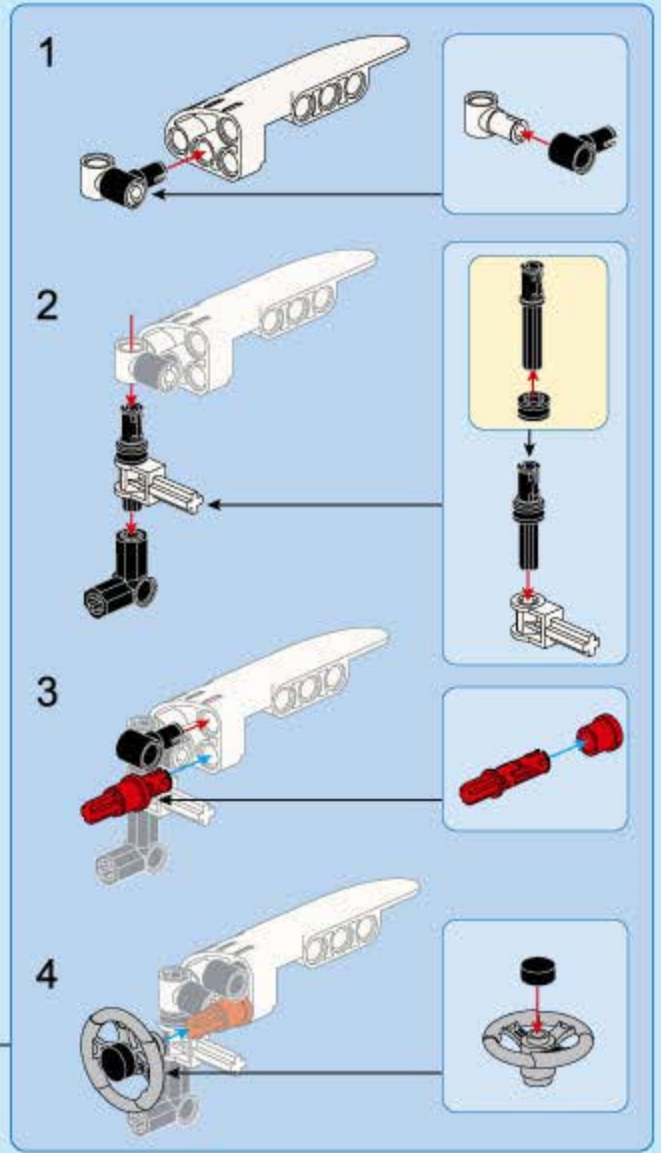
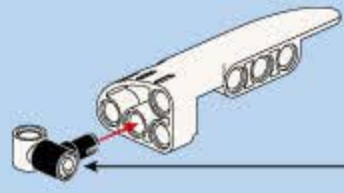
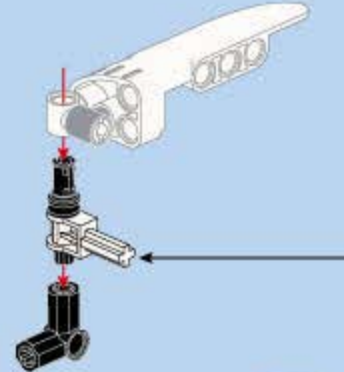
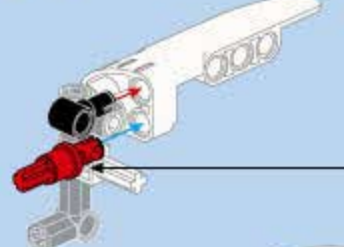
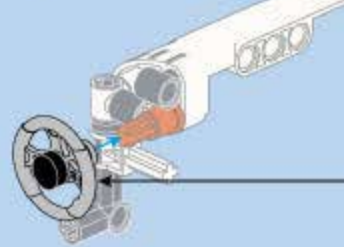
36

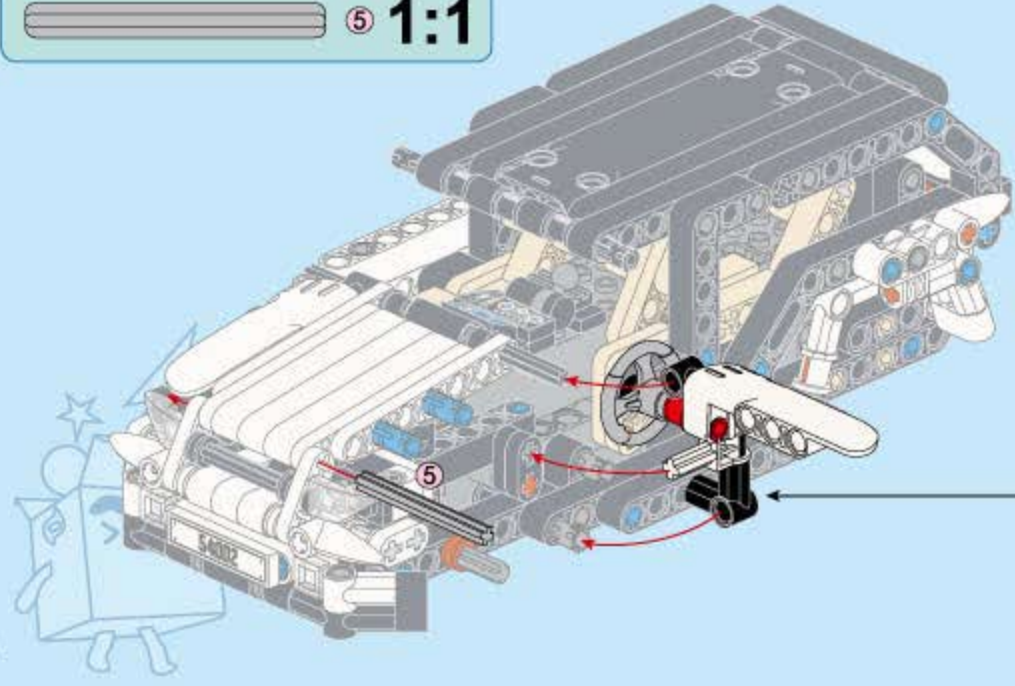


37

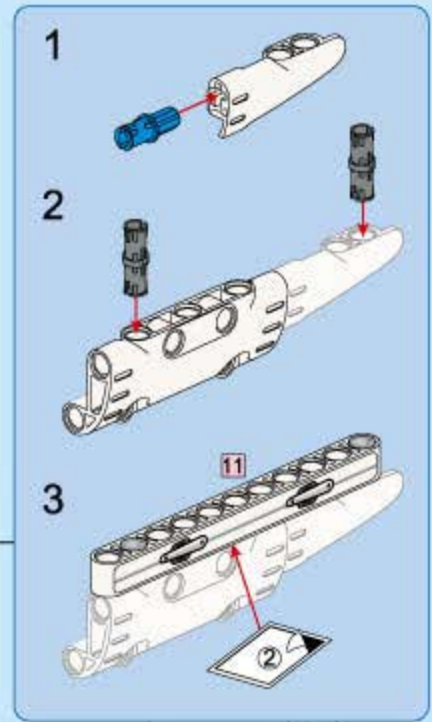
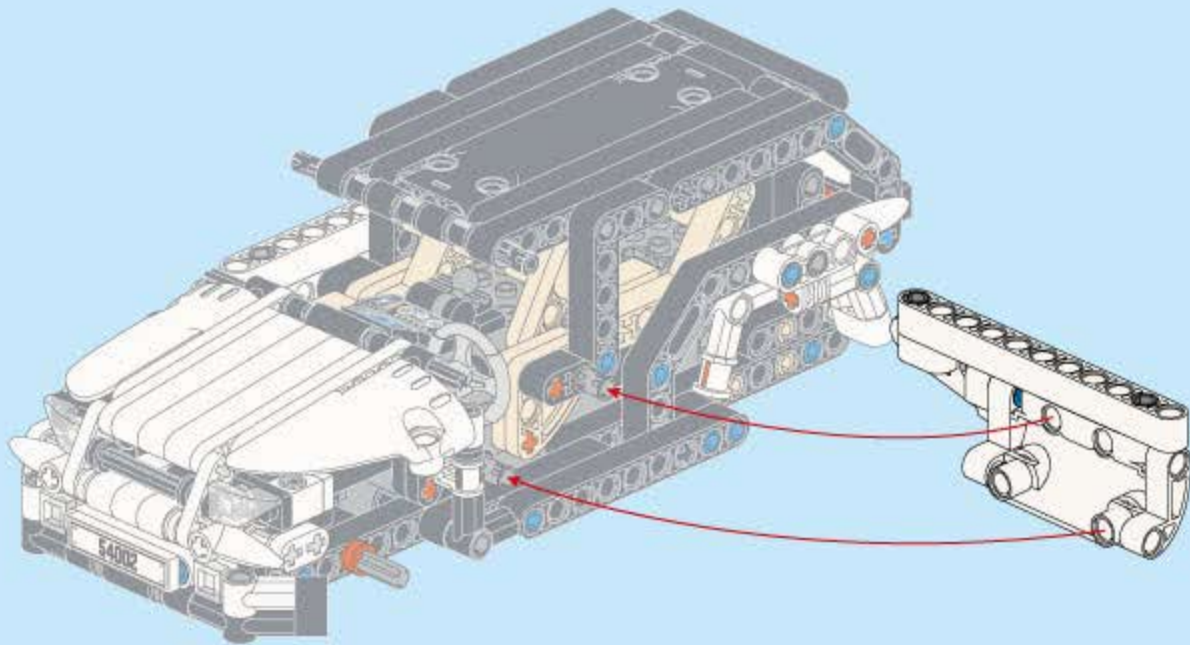
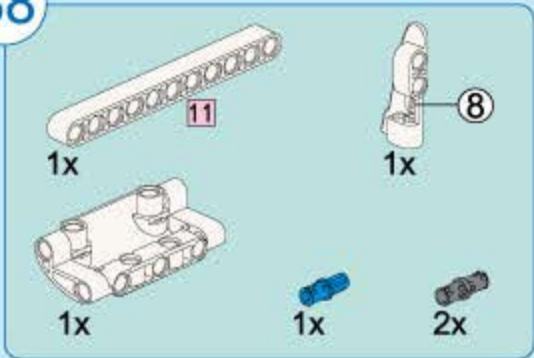

 1x 
 1x 
 1x 
 1x 
 1x 
 1x 
 2x 
 1x 
 1x 
 1x 
 1x 
 1x 

 ⑤ **1:1**

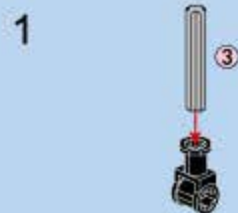
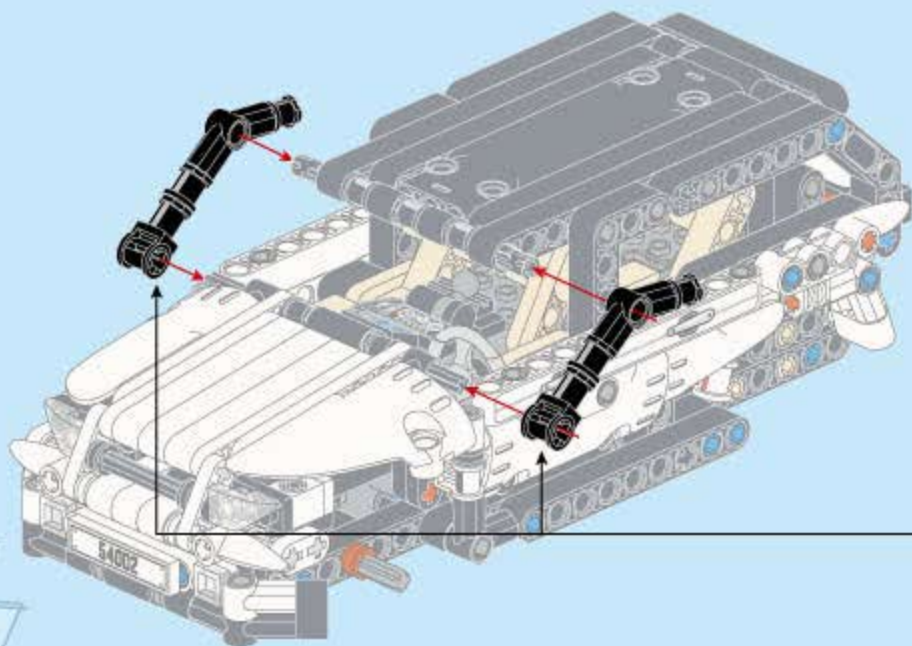

 1. 
 2. 
 3. 
 4. 



38



39



40



2x



2x



2x



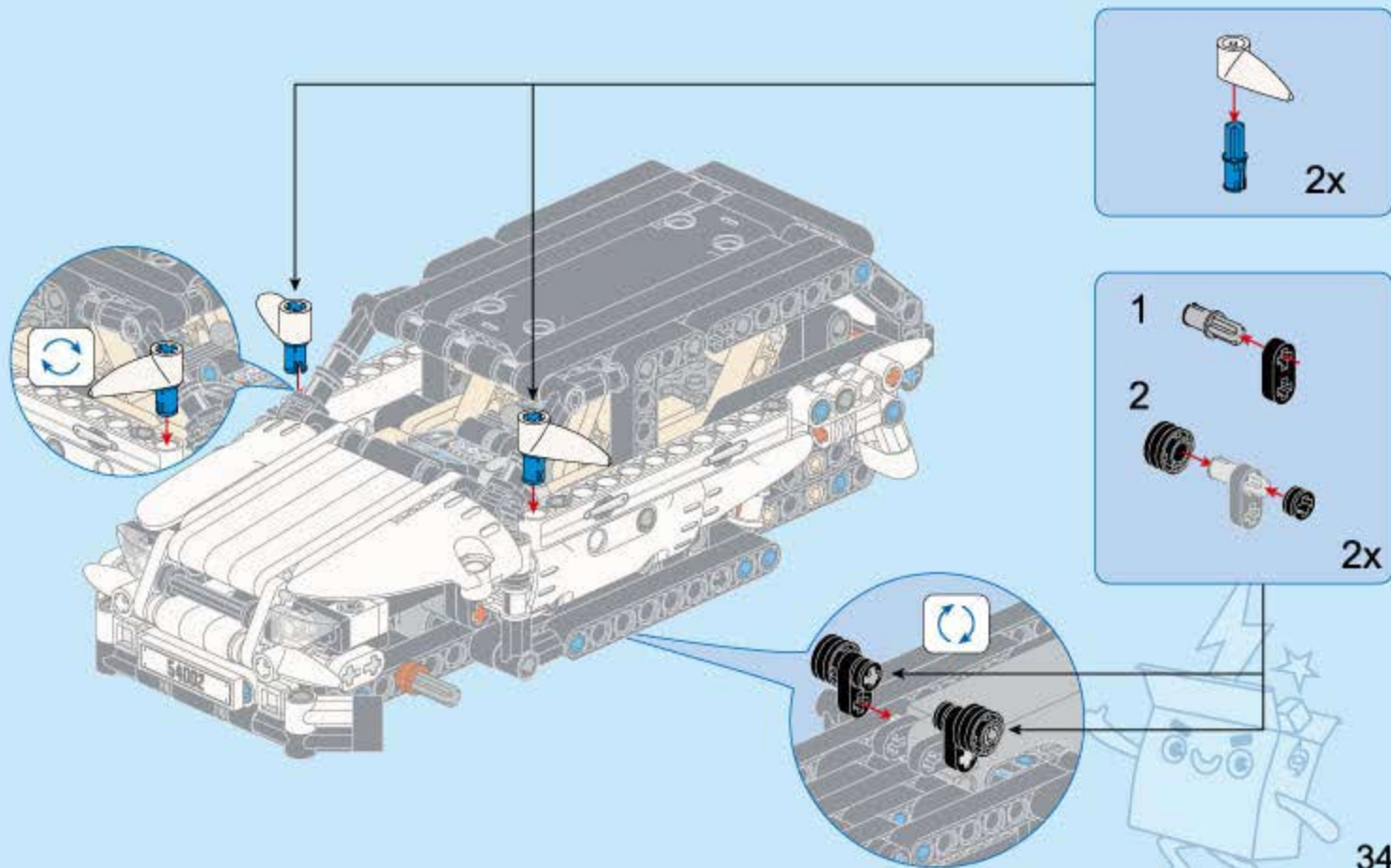
2x



2x



2x



41



2x



1x



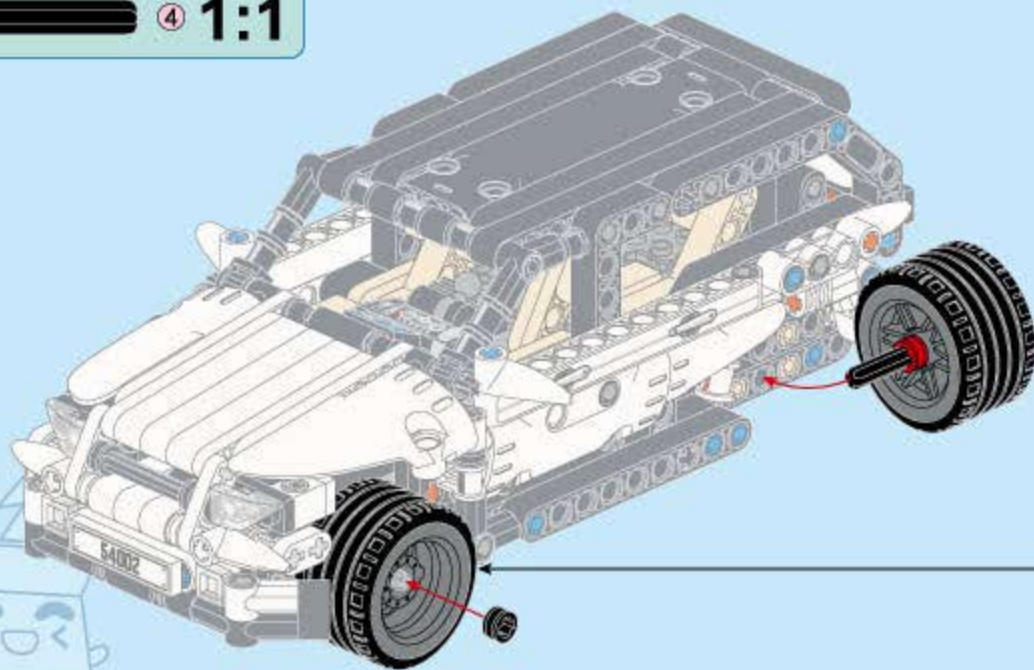
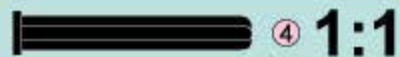
1x



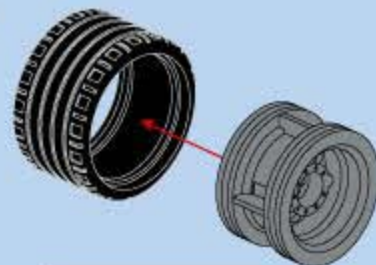
2x



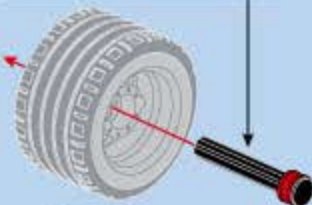
2x



1



2



3

