



Qman



**THUNDER
MISSION**
JOINT OPERATION

3215

Ages: 6+

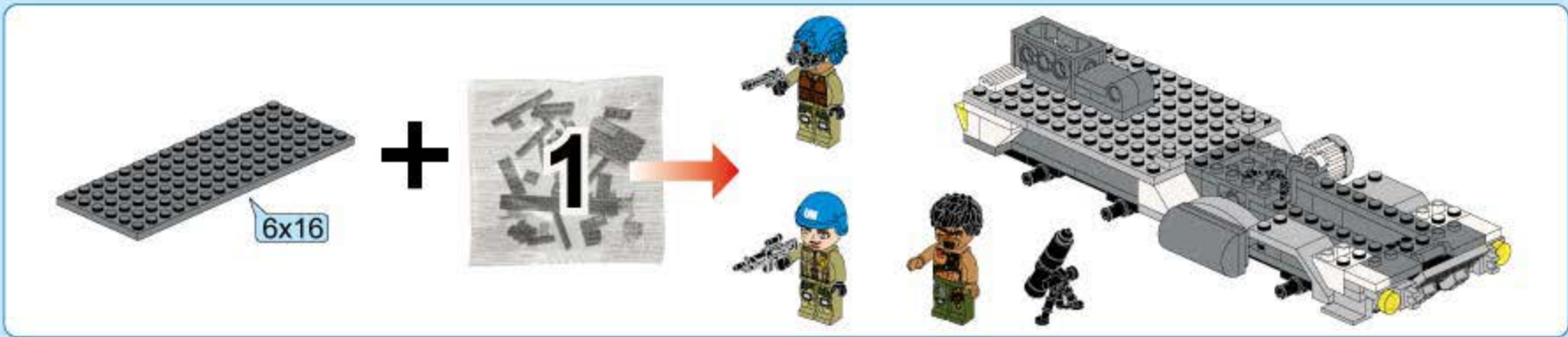
Minifigs: X3

PCS: 474



Pictures are for your reference only. The delivered goods shall prevail.

High-Tech RV



拆件器使用方法，仅为示例
Usage of Brick Separator, Just for the sample

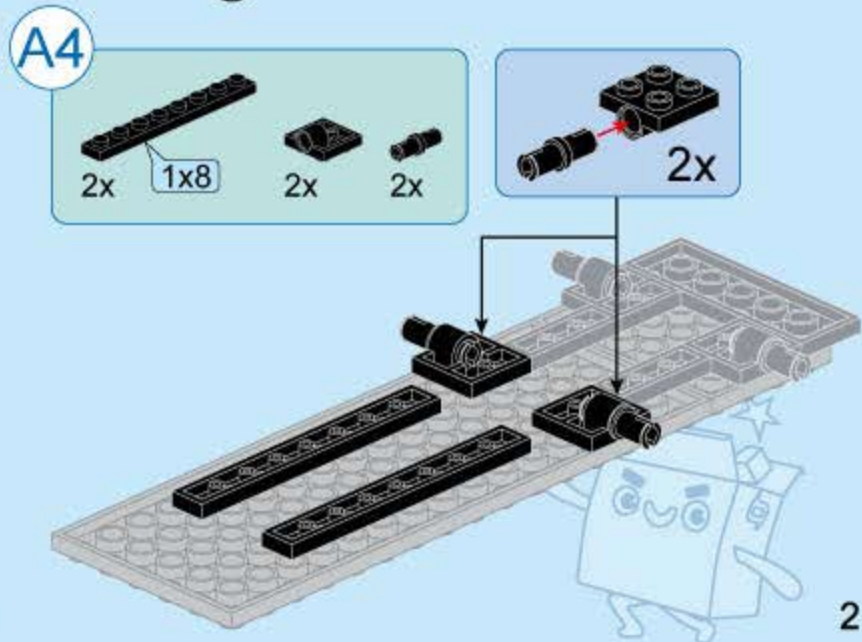
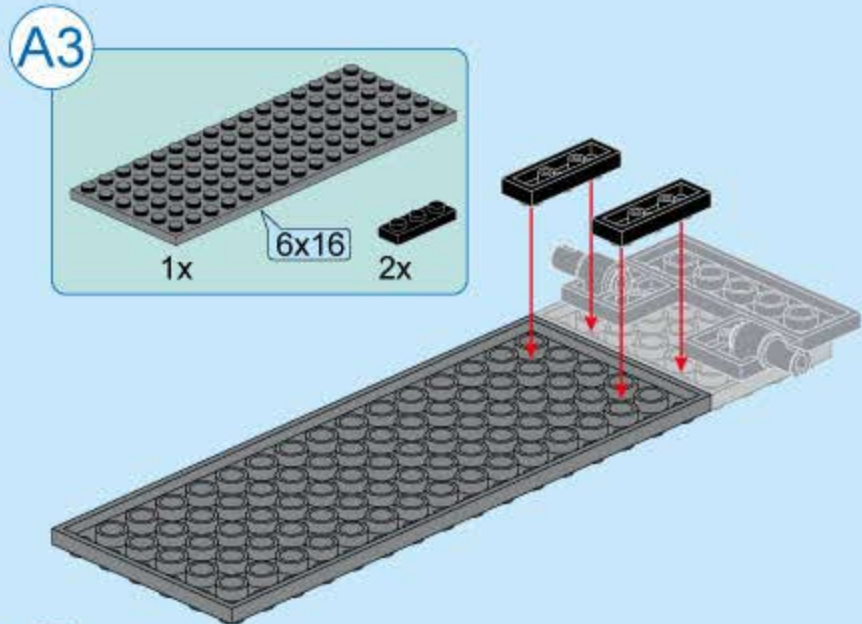
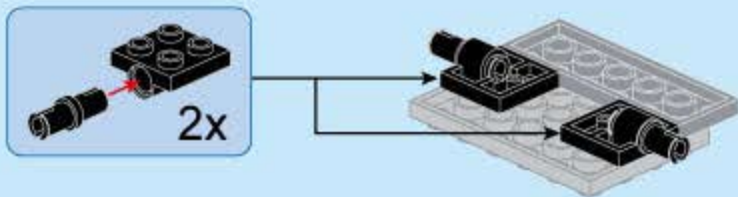
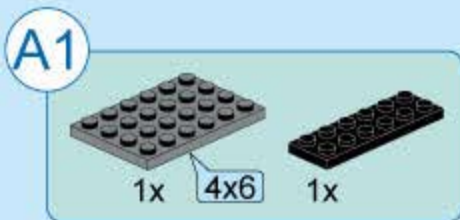
1	3
2	4

1

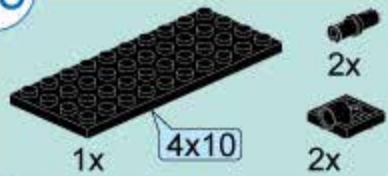
2

3

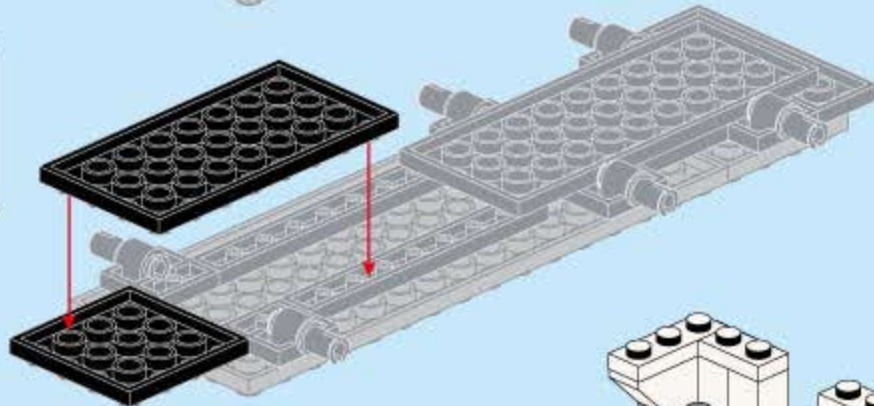
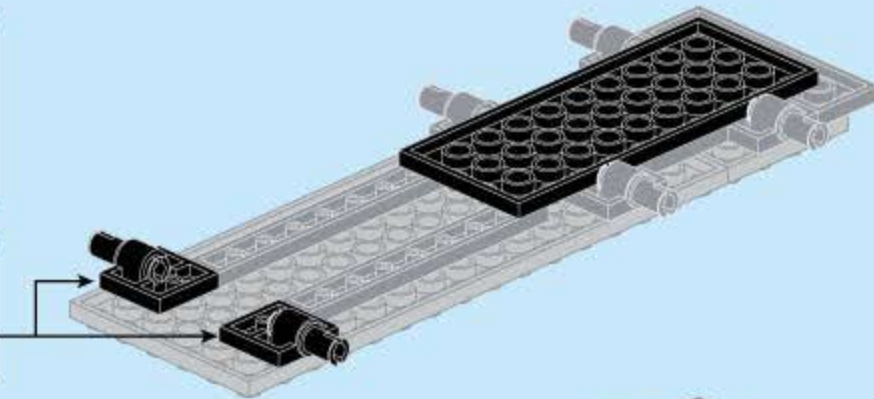
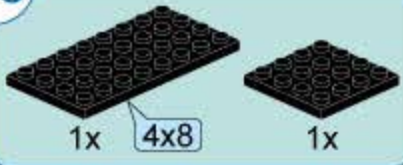




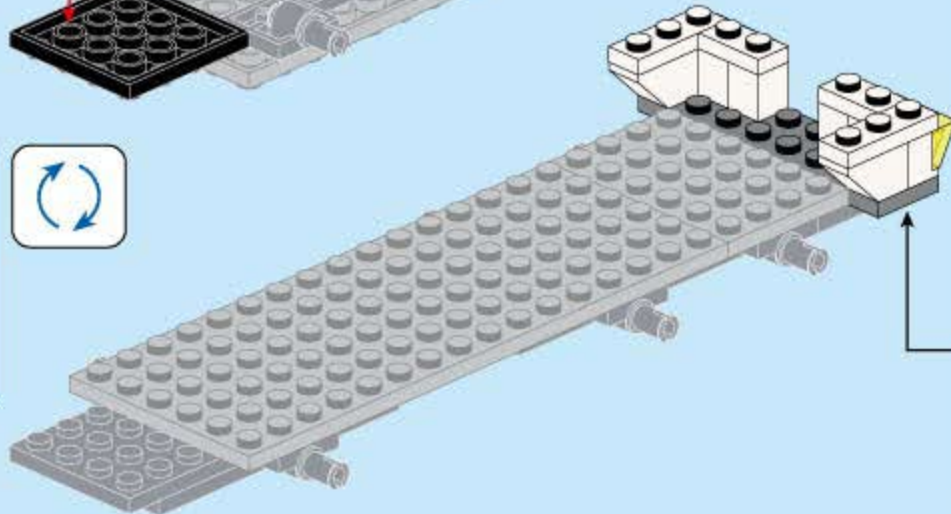
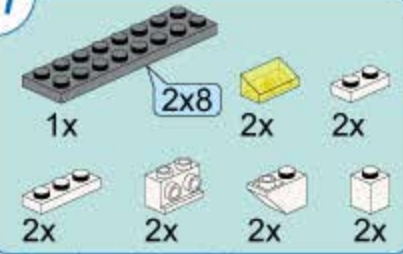
A5



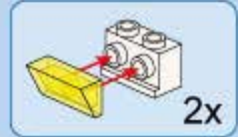
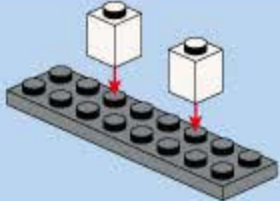
A6



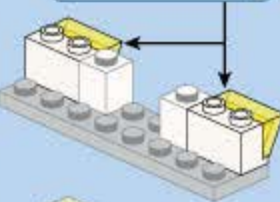
A7



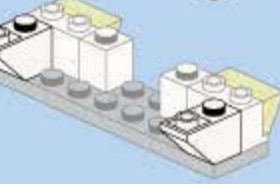
1



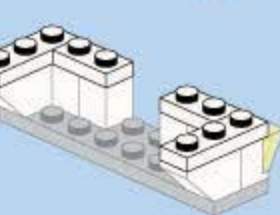
2



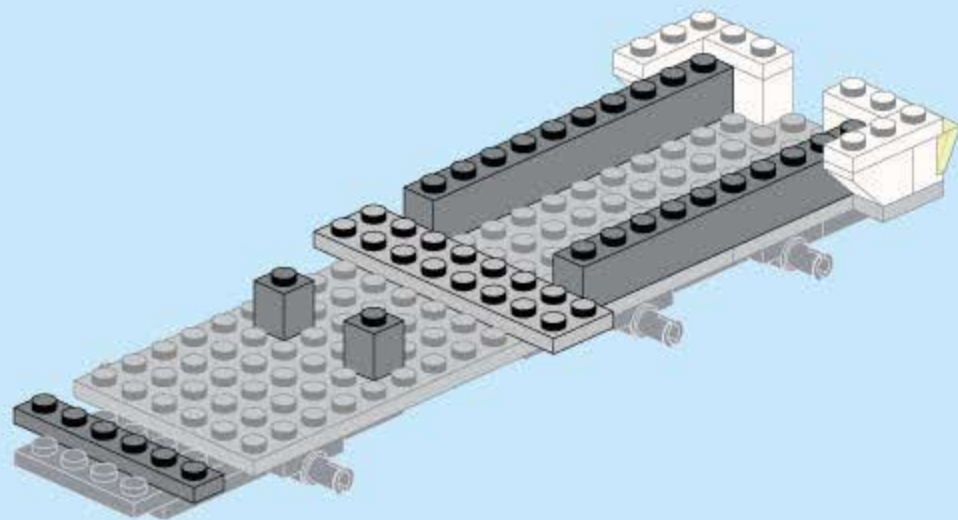
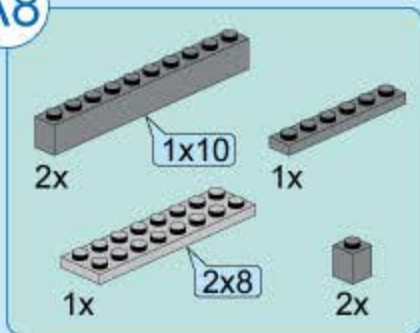
3



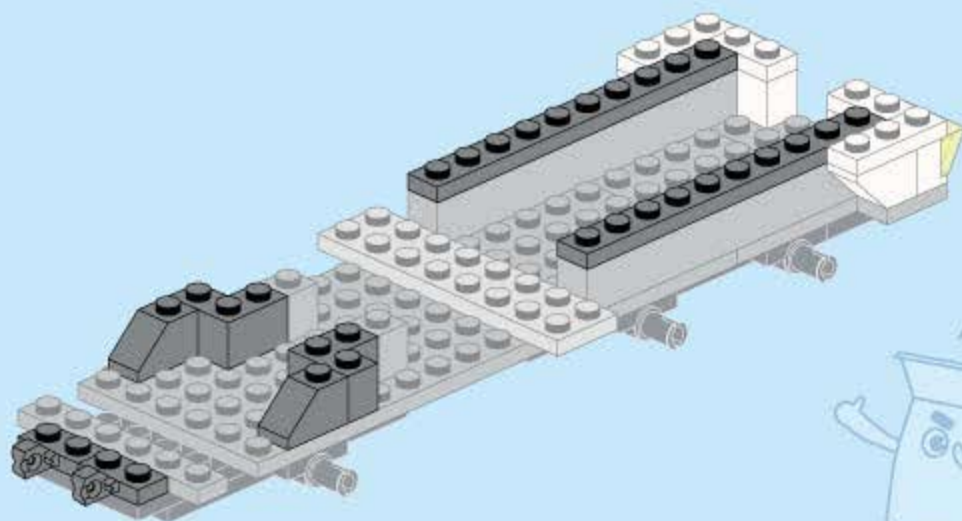
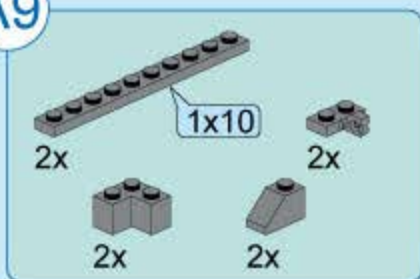
4



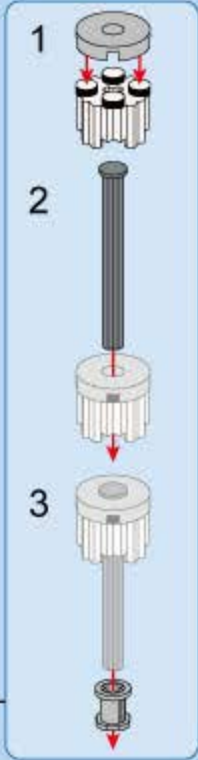
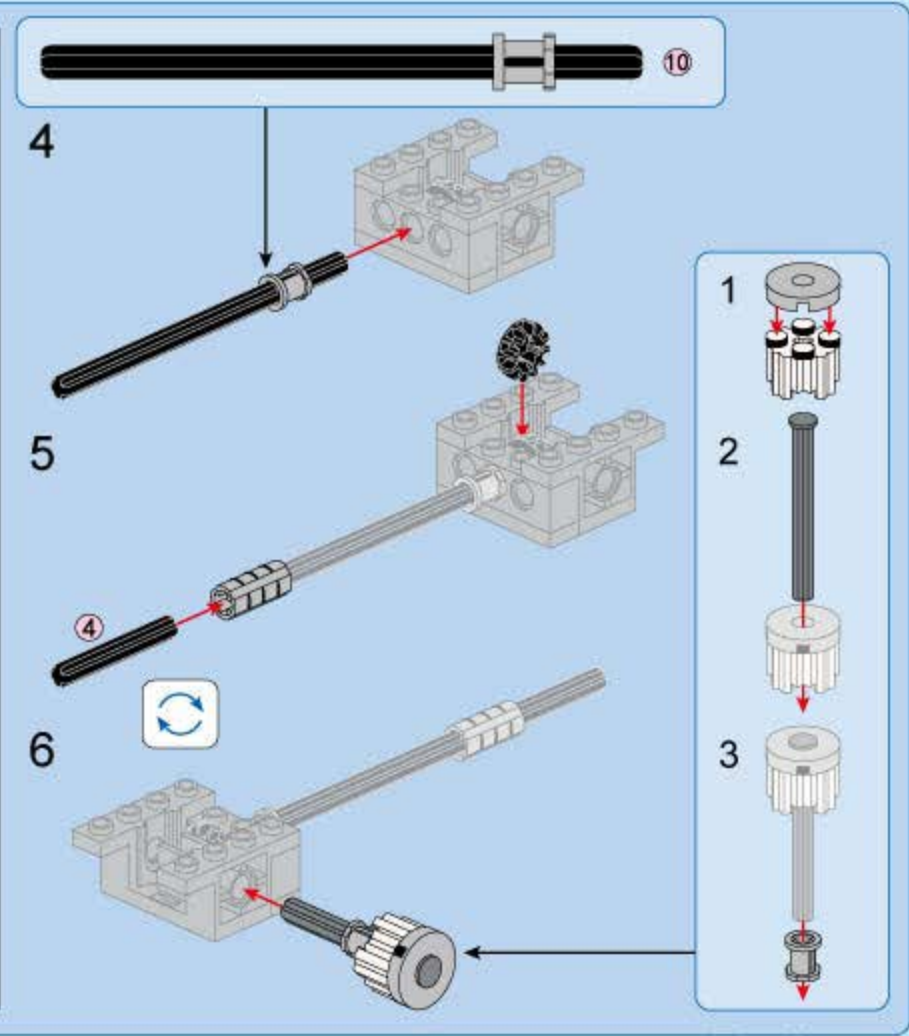
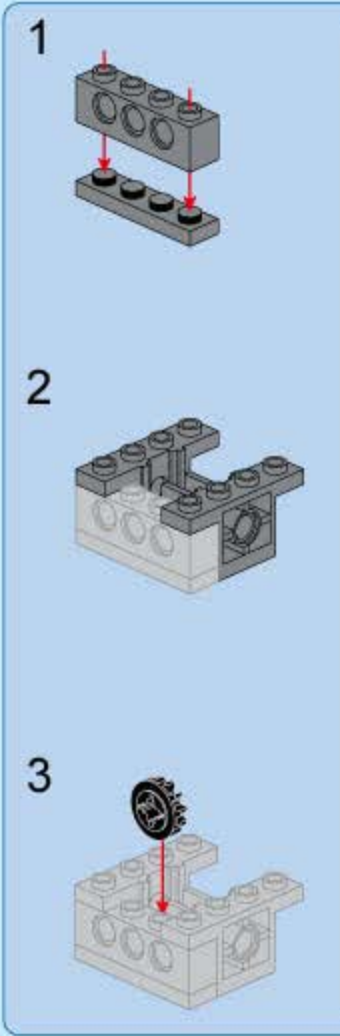
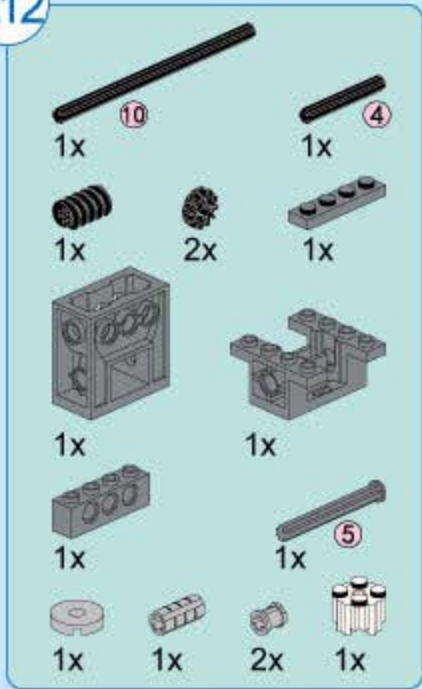
A8



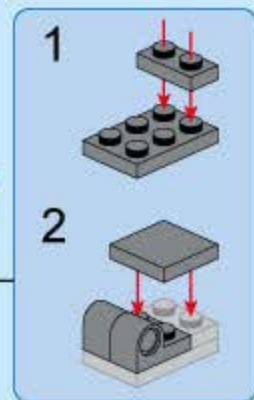
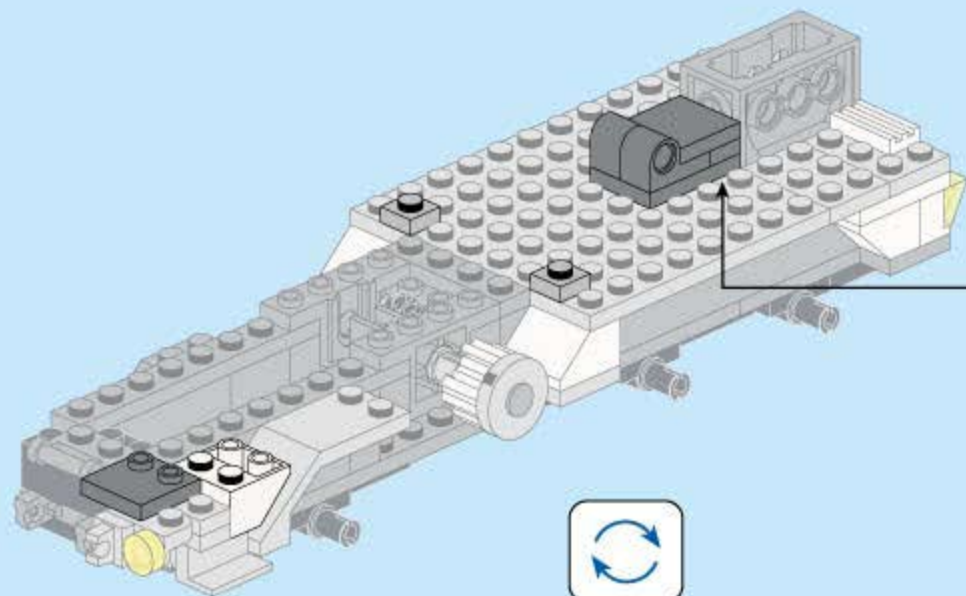
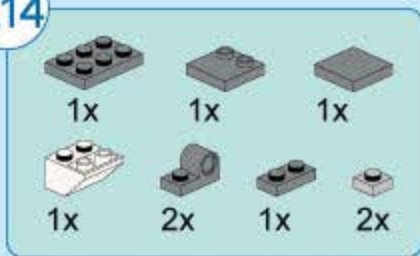
A9



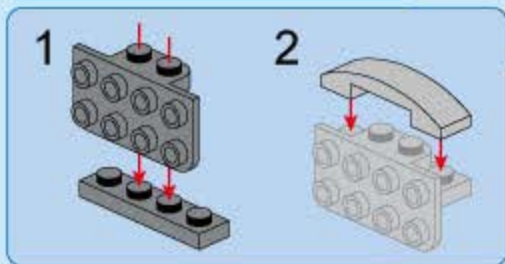
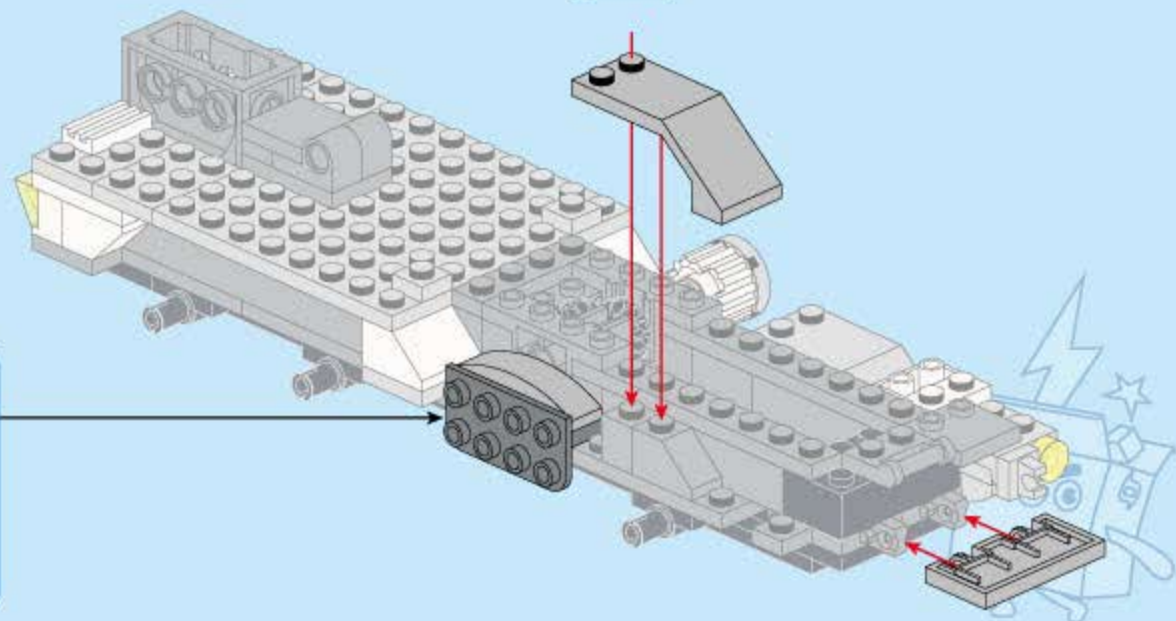
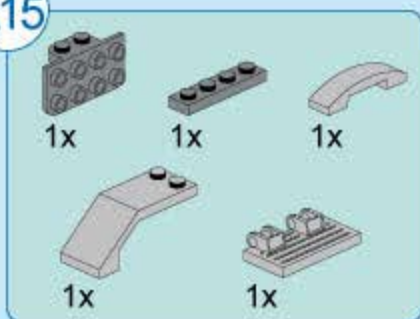
A12



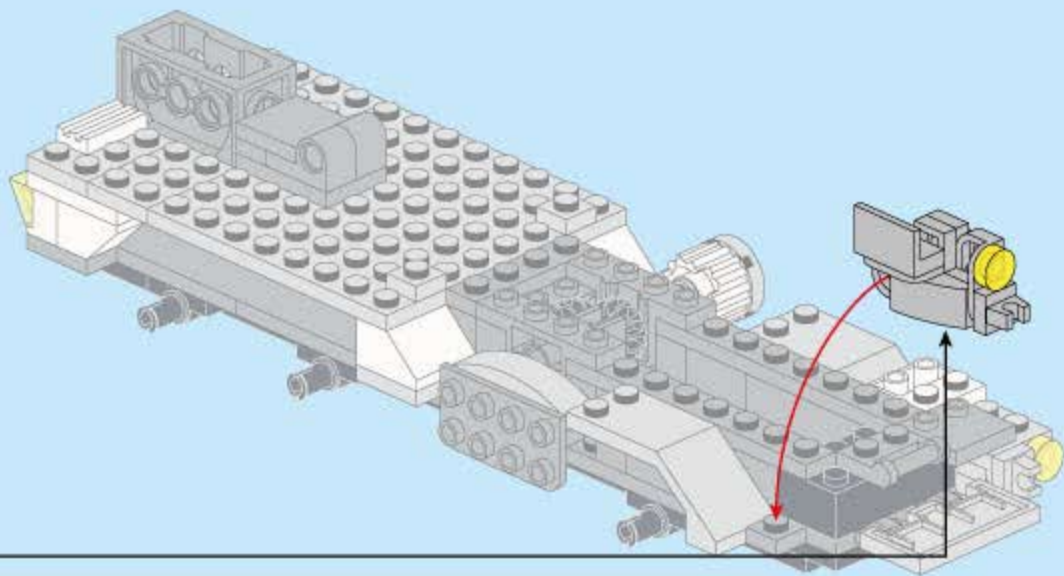
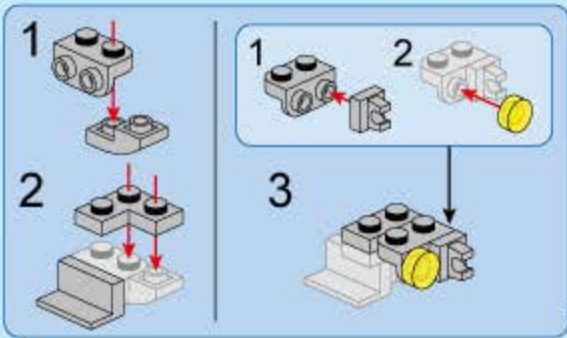
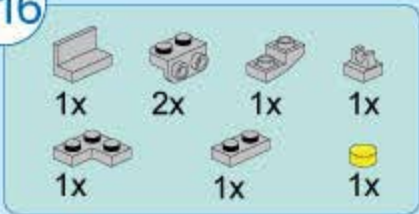
A14



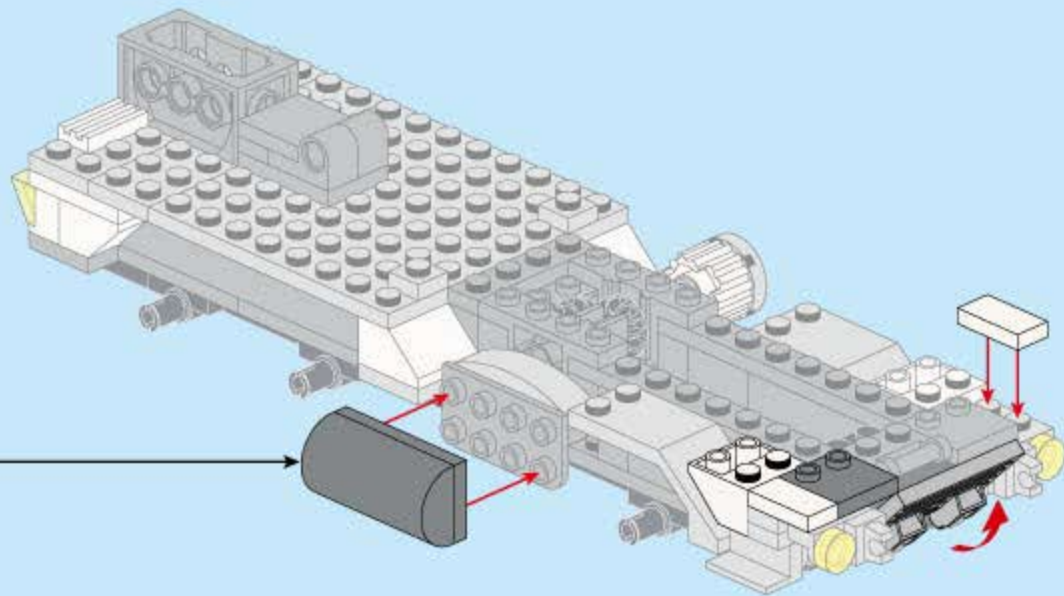
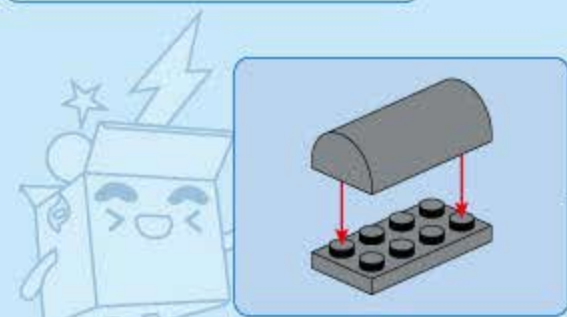
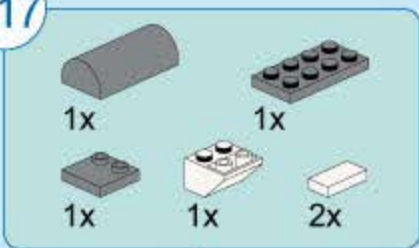
A15

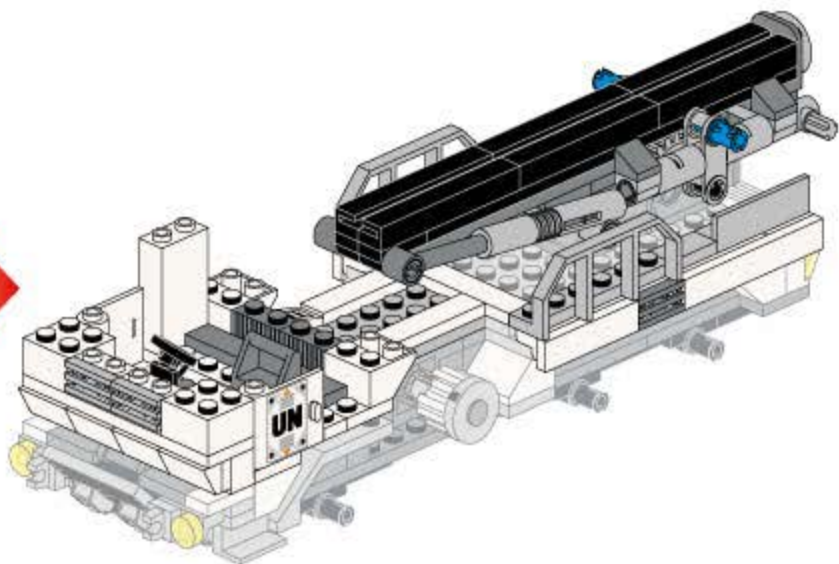


A16

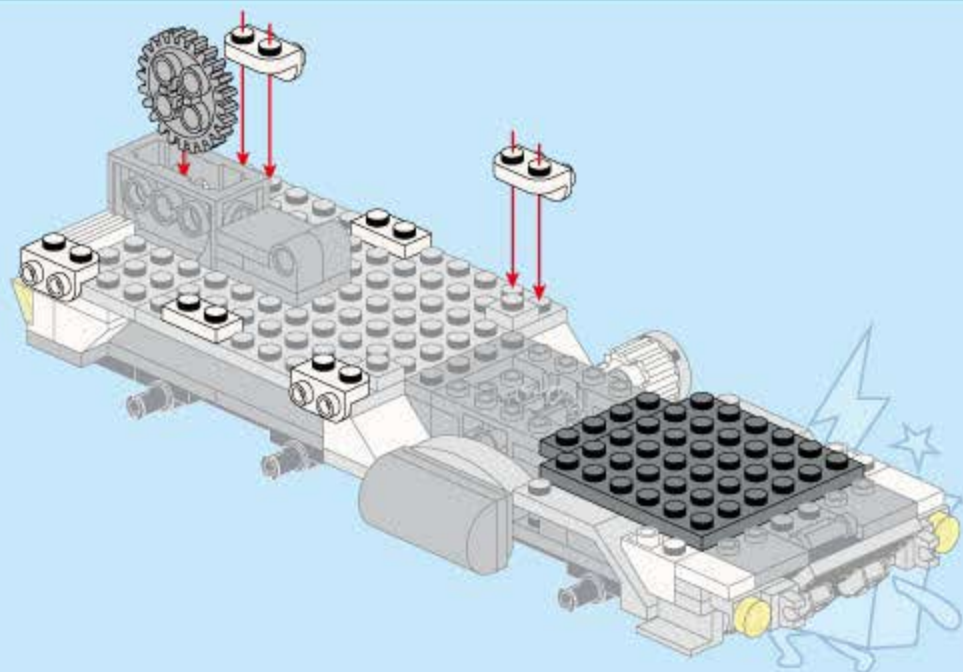
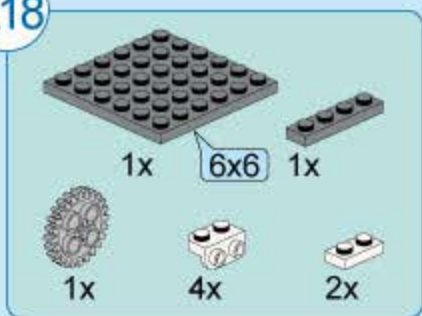


A17

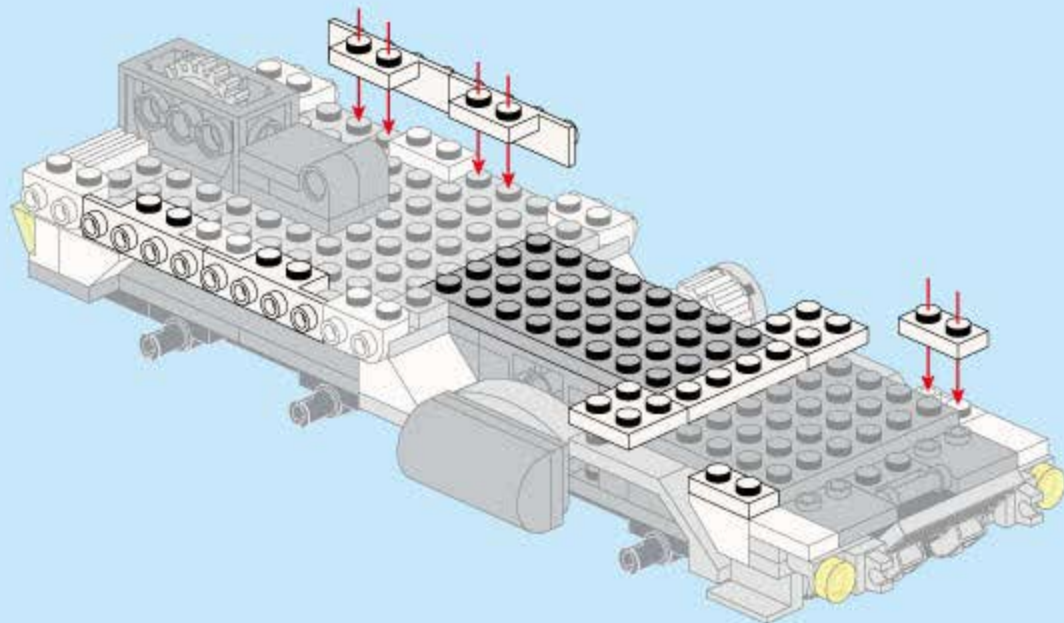
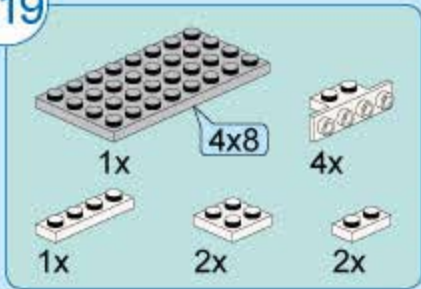




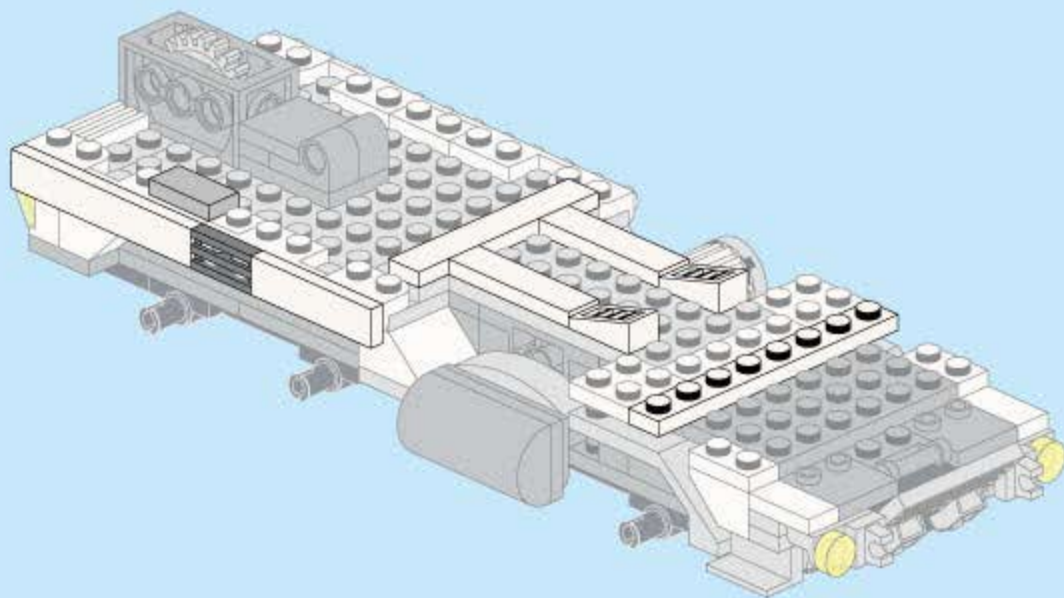
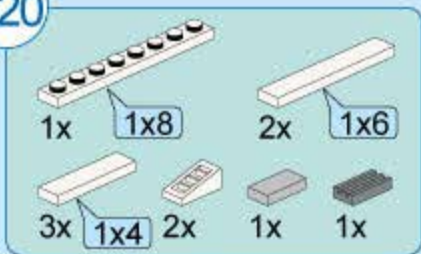
A18

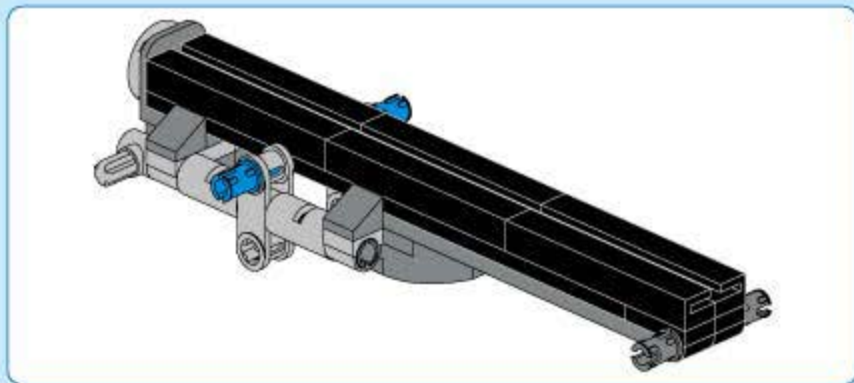


A19

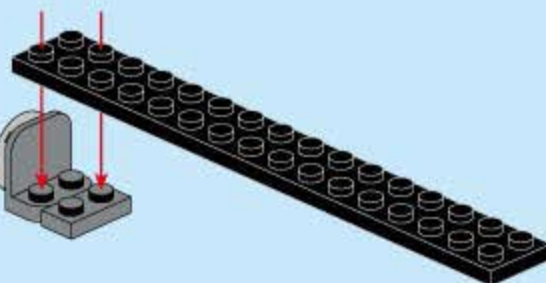
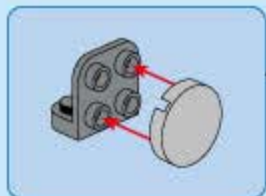
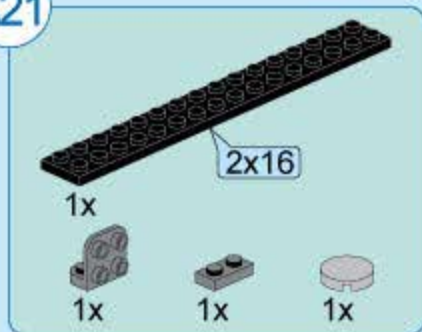


A20

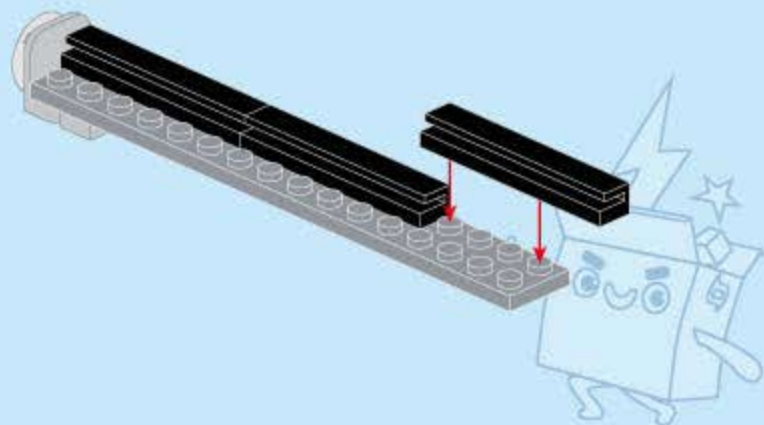




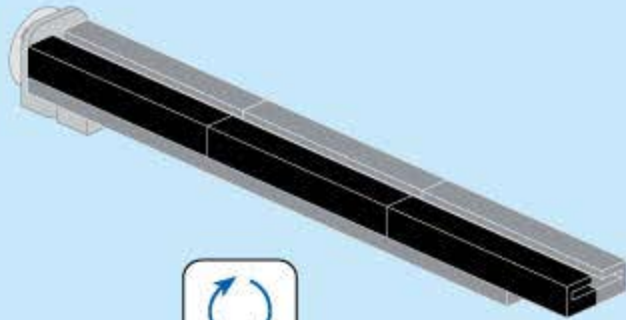
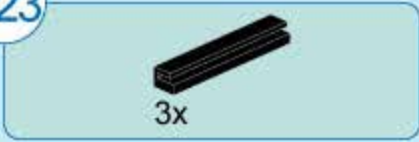
A21



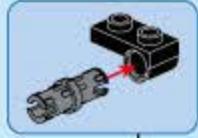
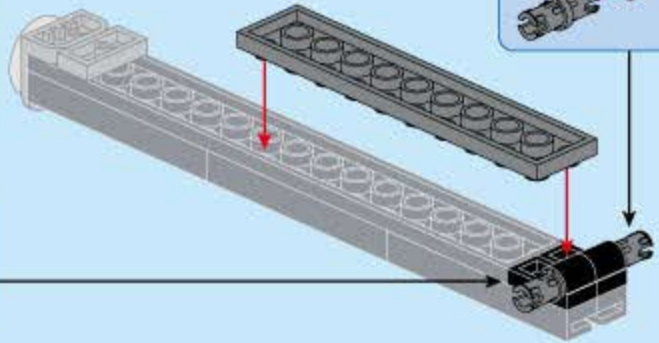
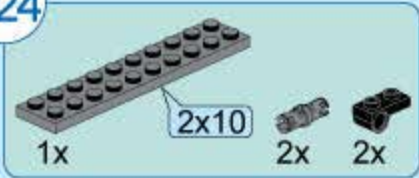
A22



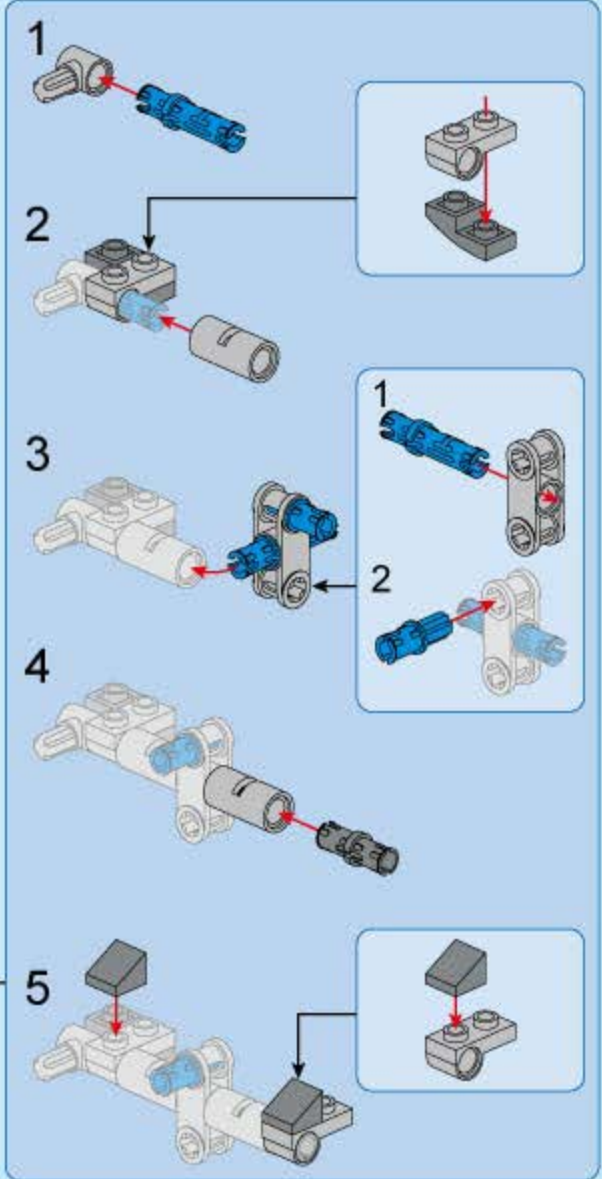
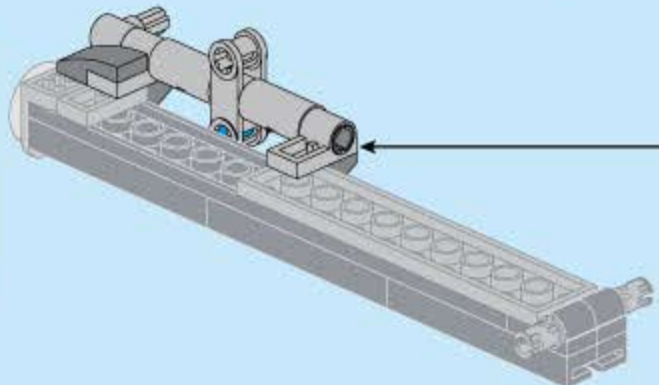
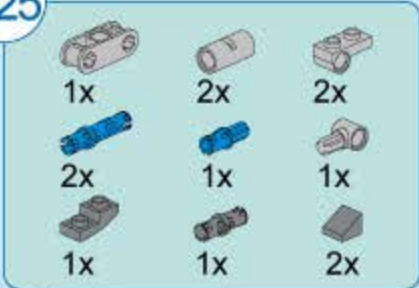
A23



A24

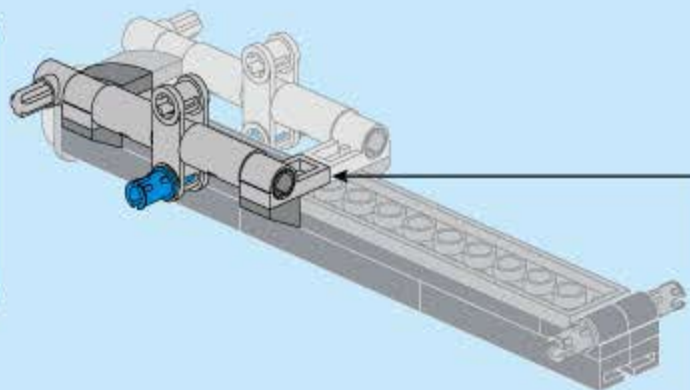


A25



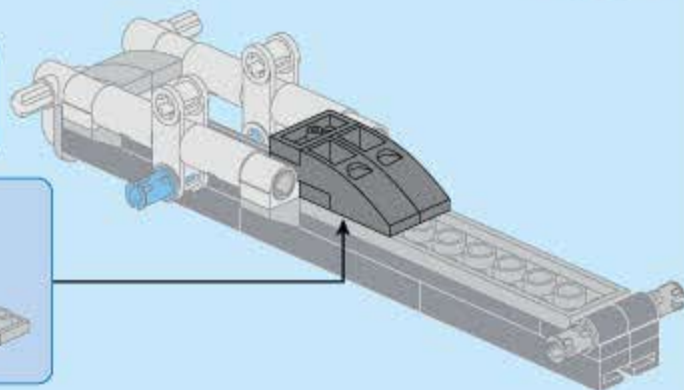
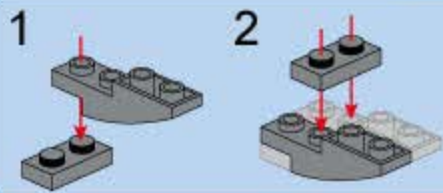
A26

- | | | |
|----|----|----|
| | | |
| 1x | 2x | 2x |
| | | |
| 2x | 1x | 1x |
| | | |
| 1x | 1x | 2x |

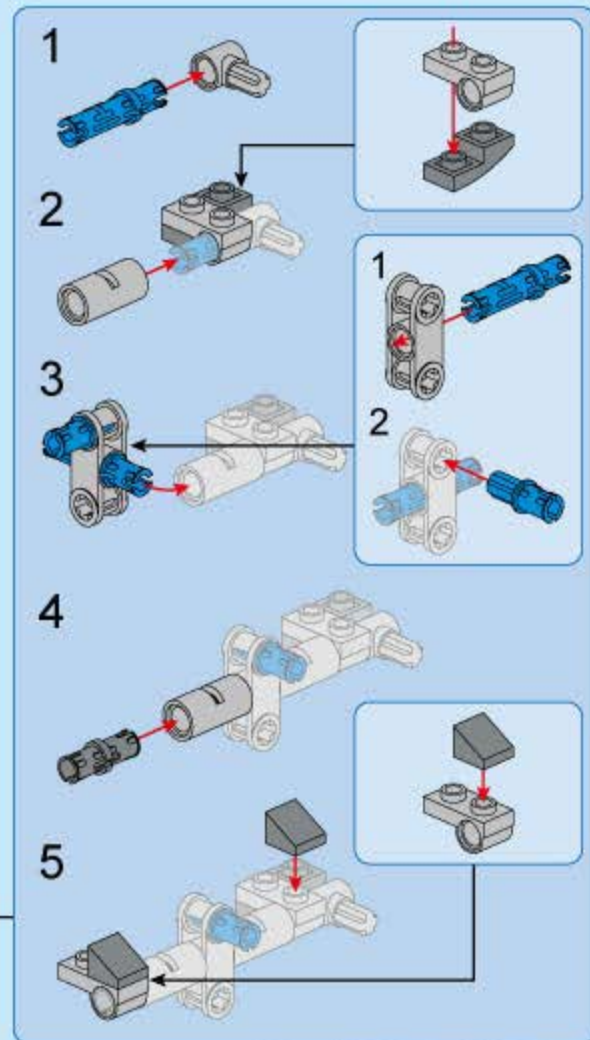
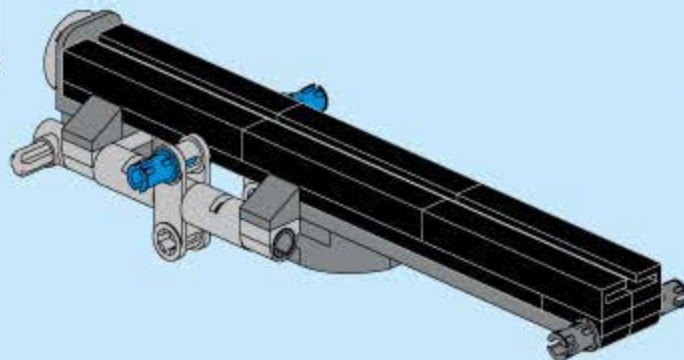


A27

- | | |
|----|----|
| | |
| 2x | 2x |



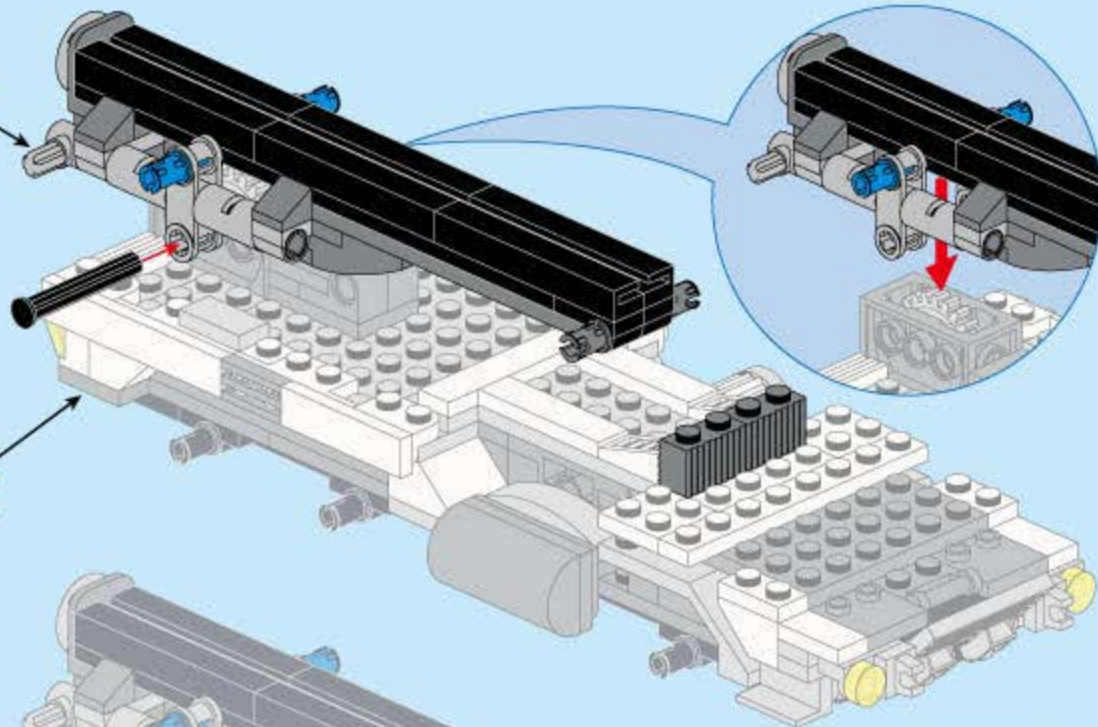
A28



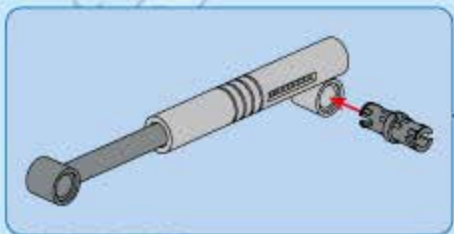
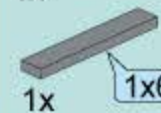
A29



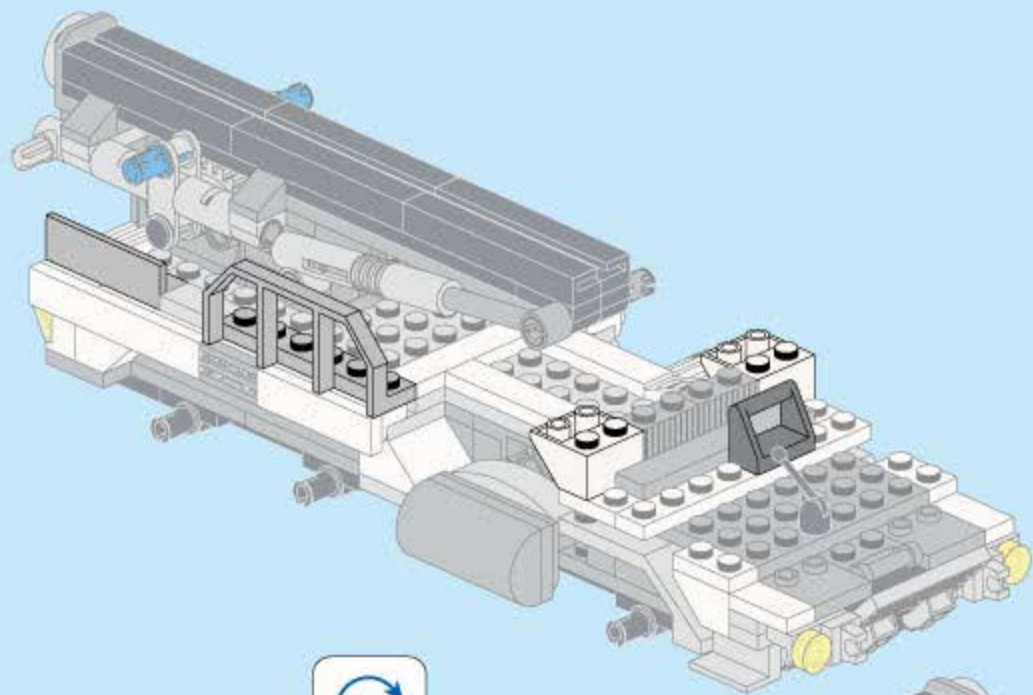
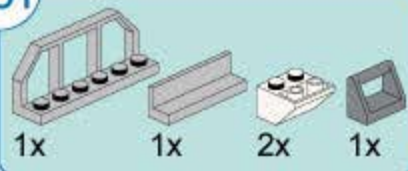
A28



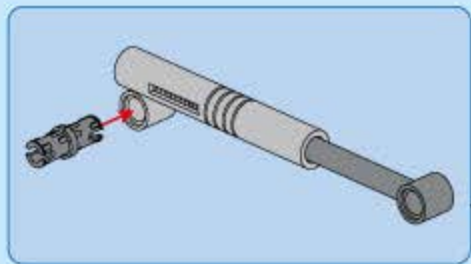
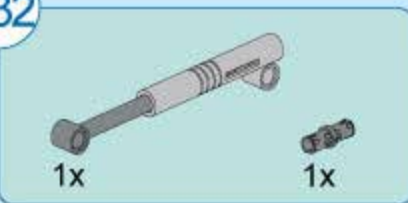
A30



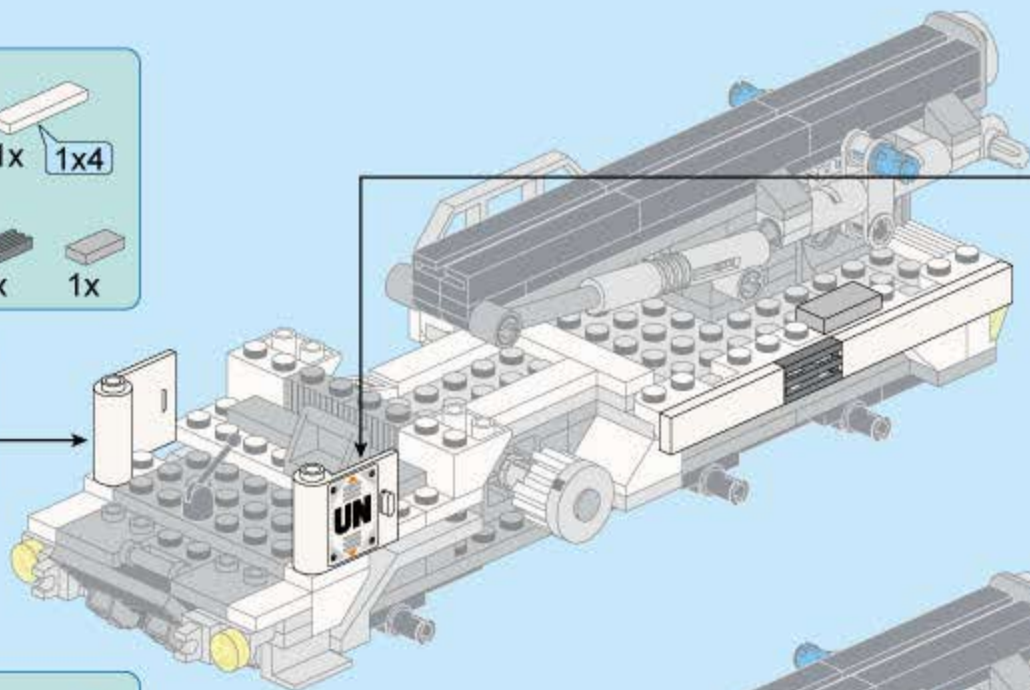
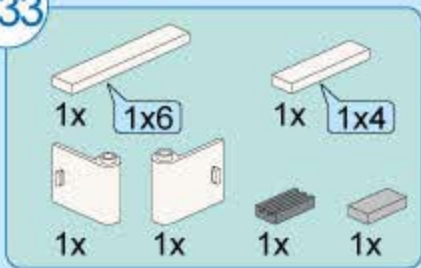
A31



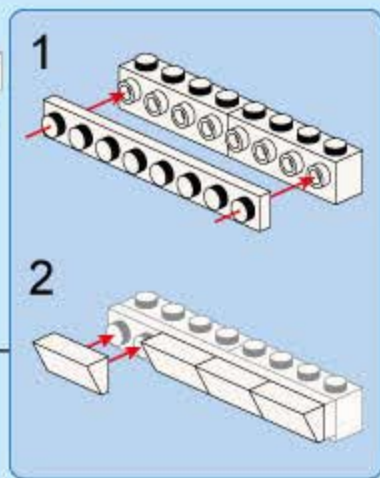
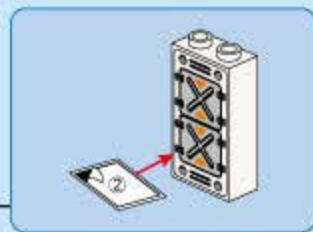
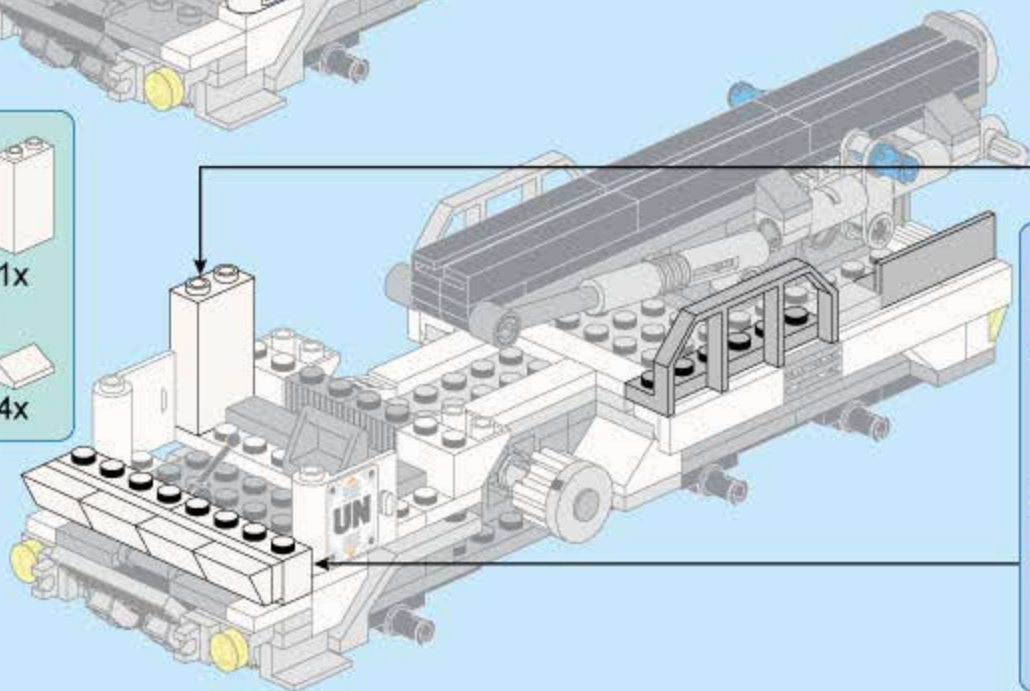
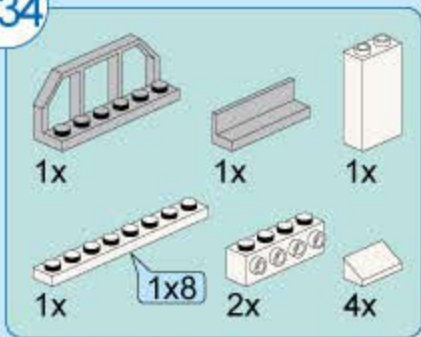
A32



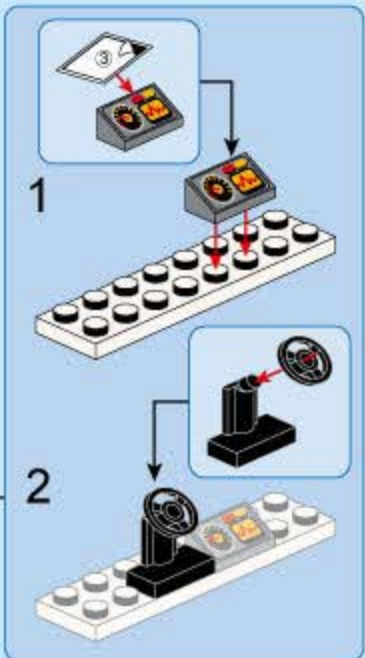
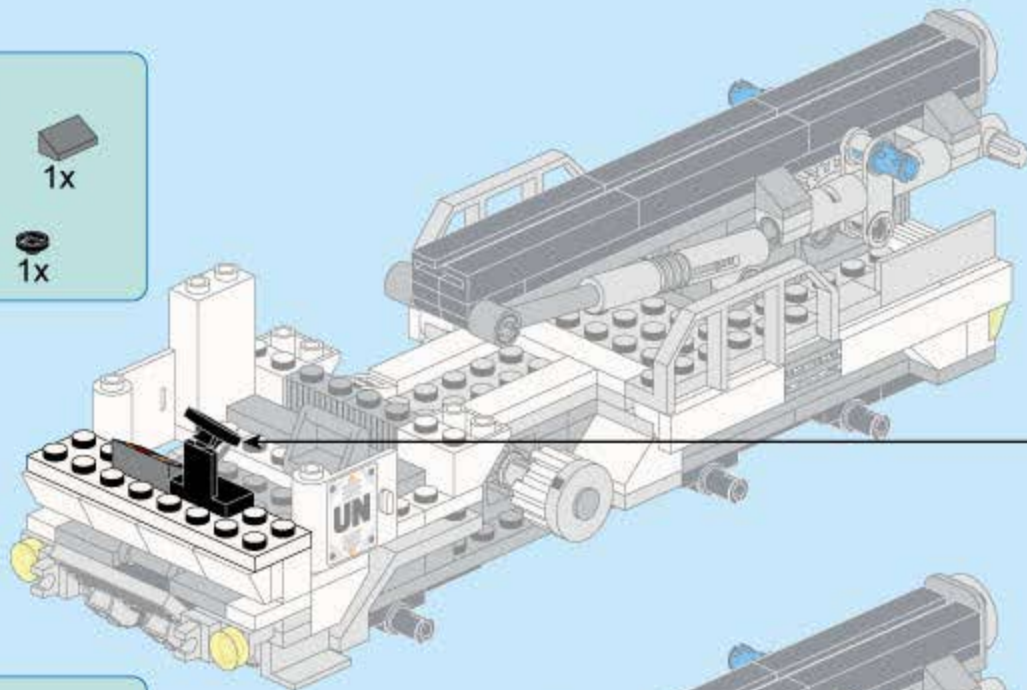
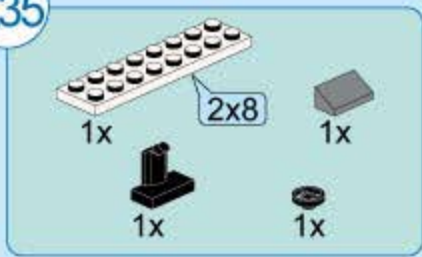
A33



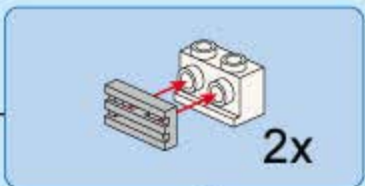
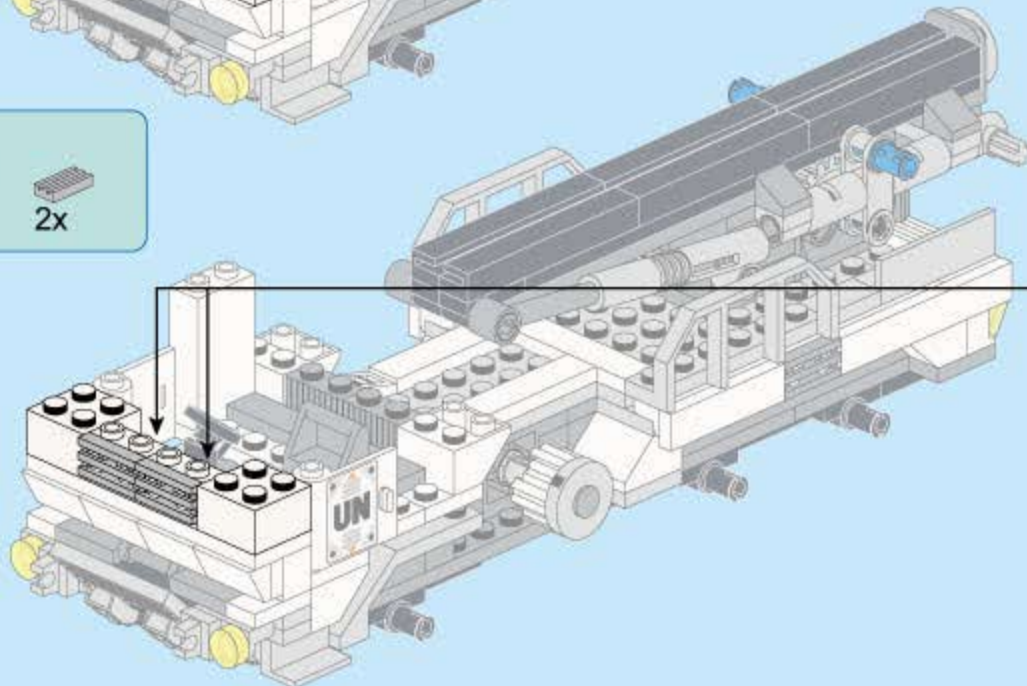
A34



A35

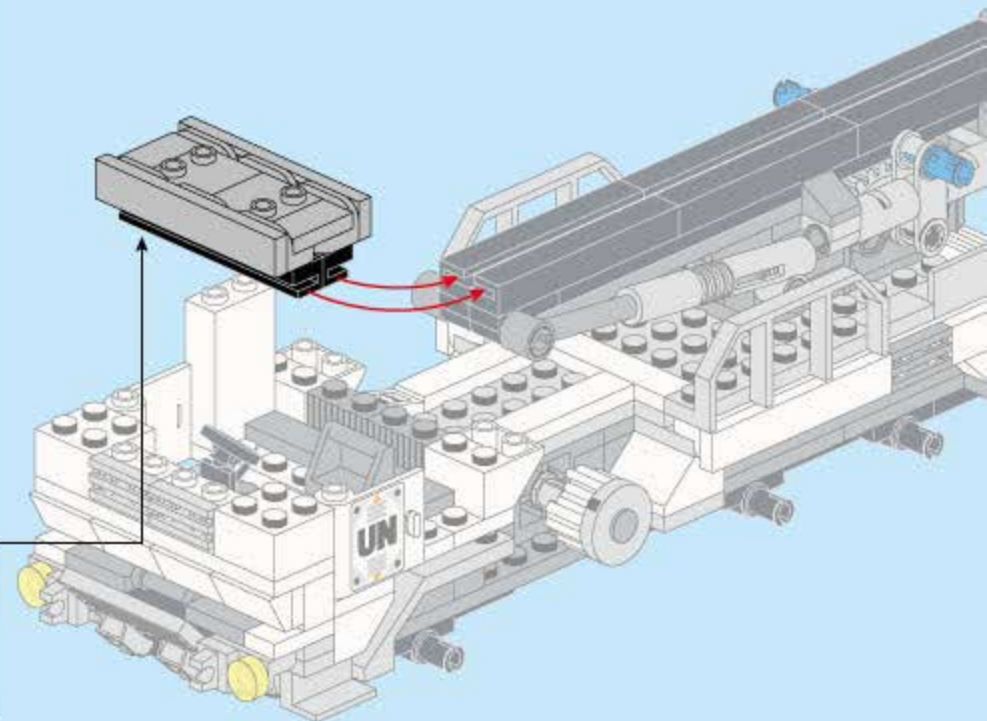
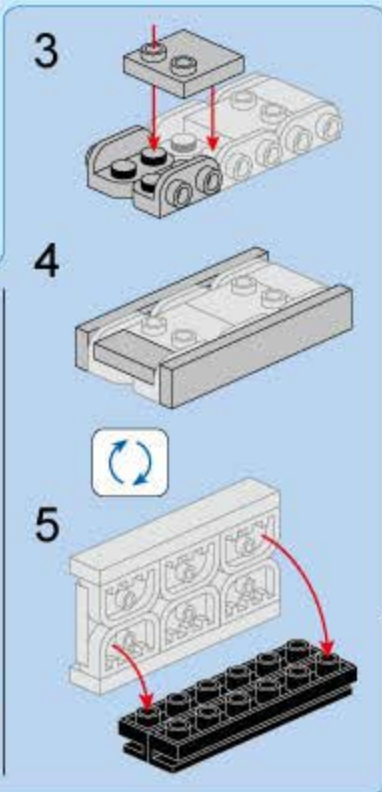
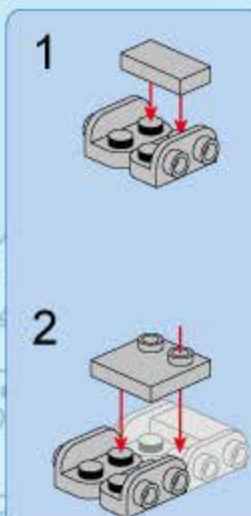
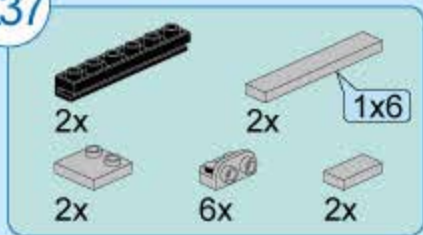


A36

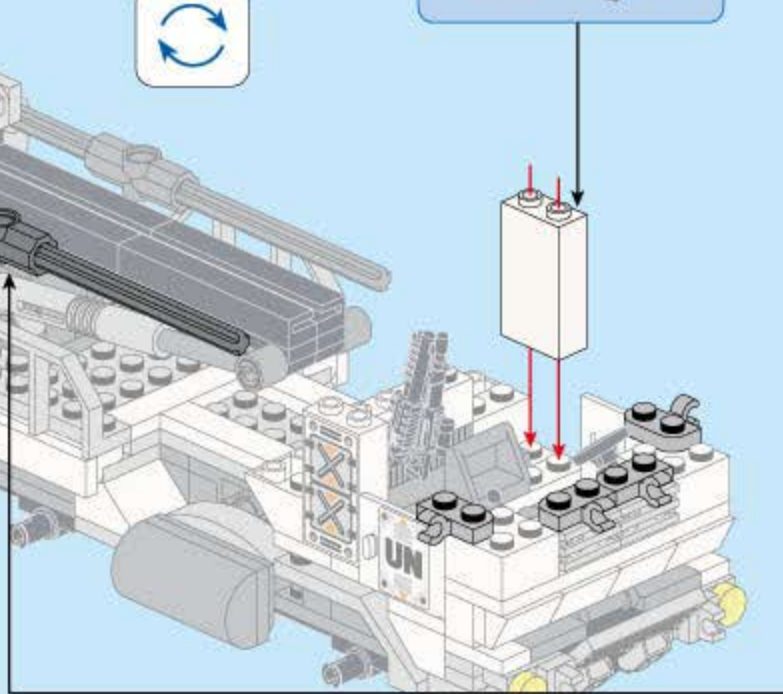
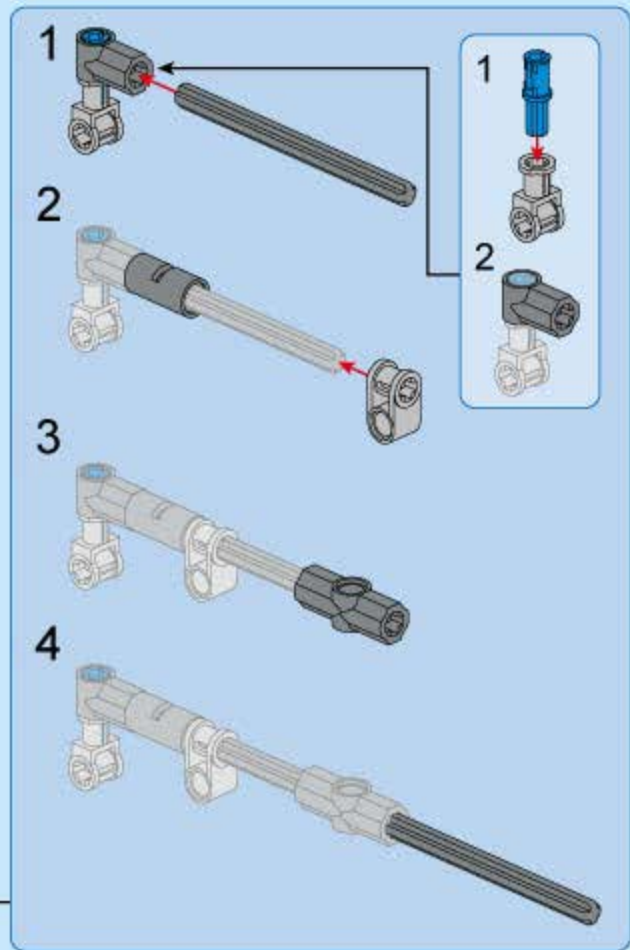
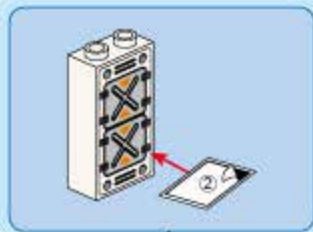
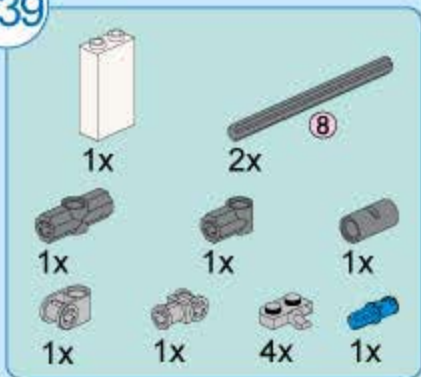




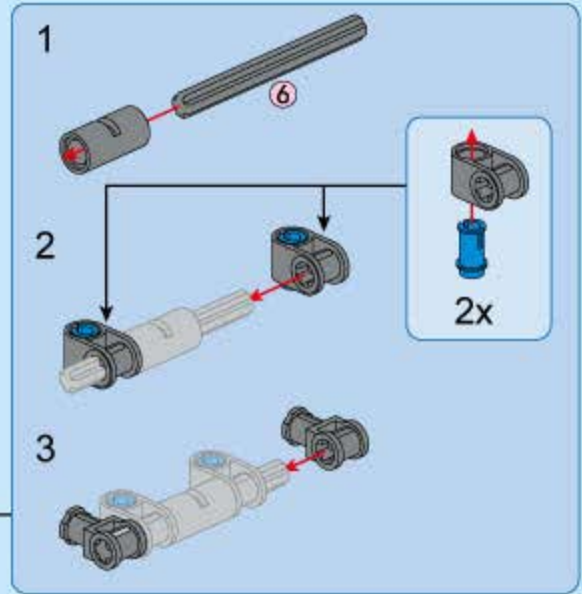
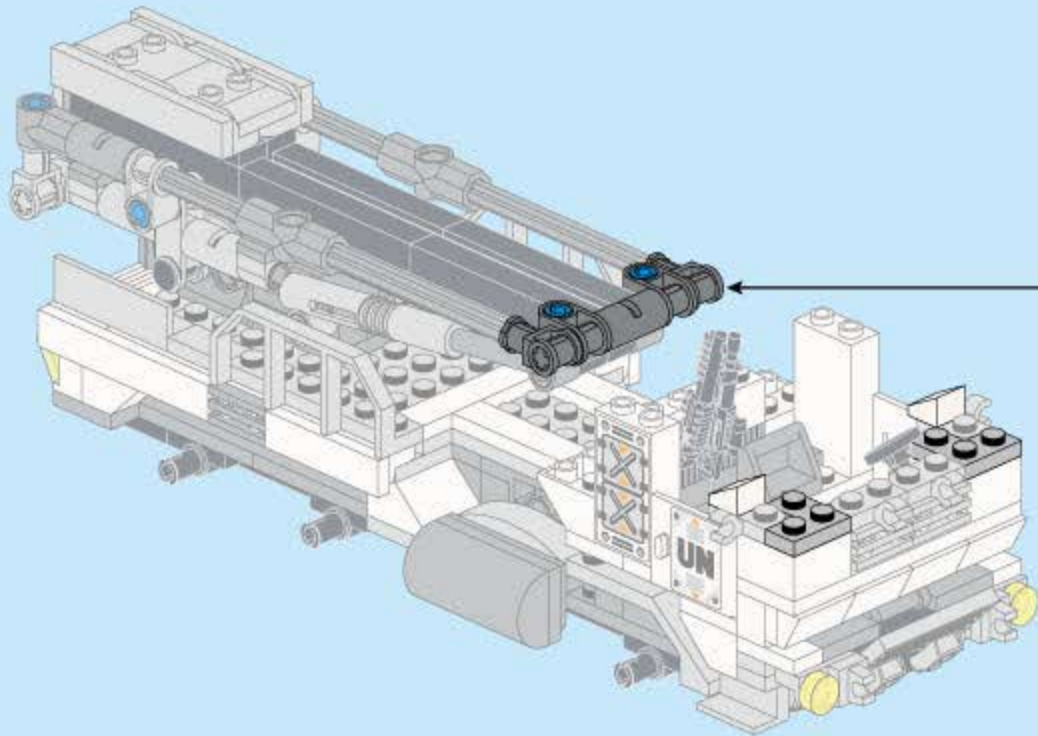
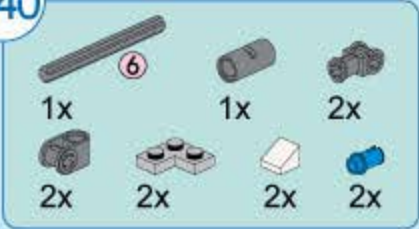
A37



A39



A40



A41



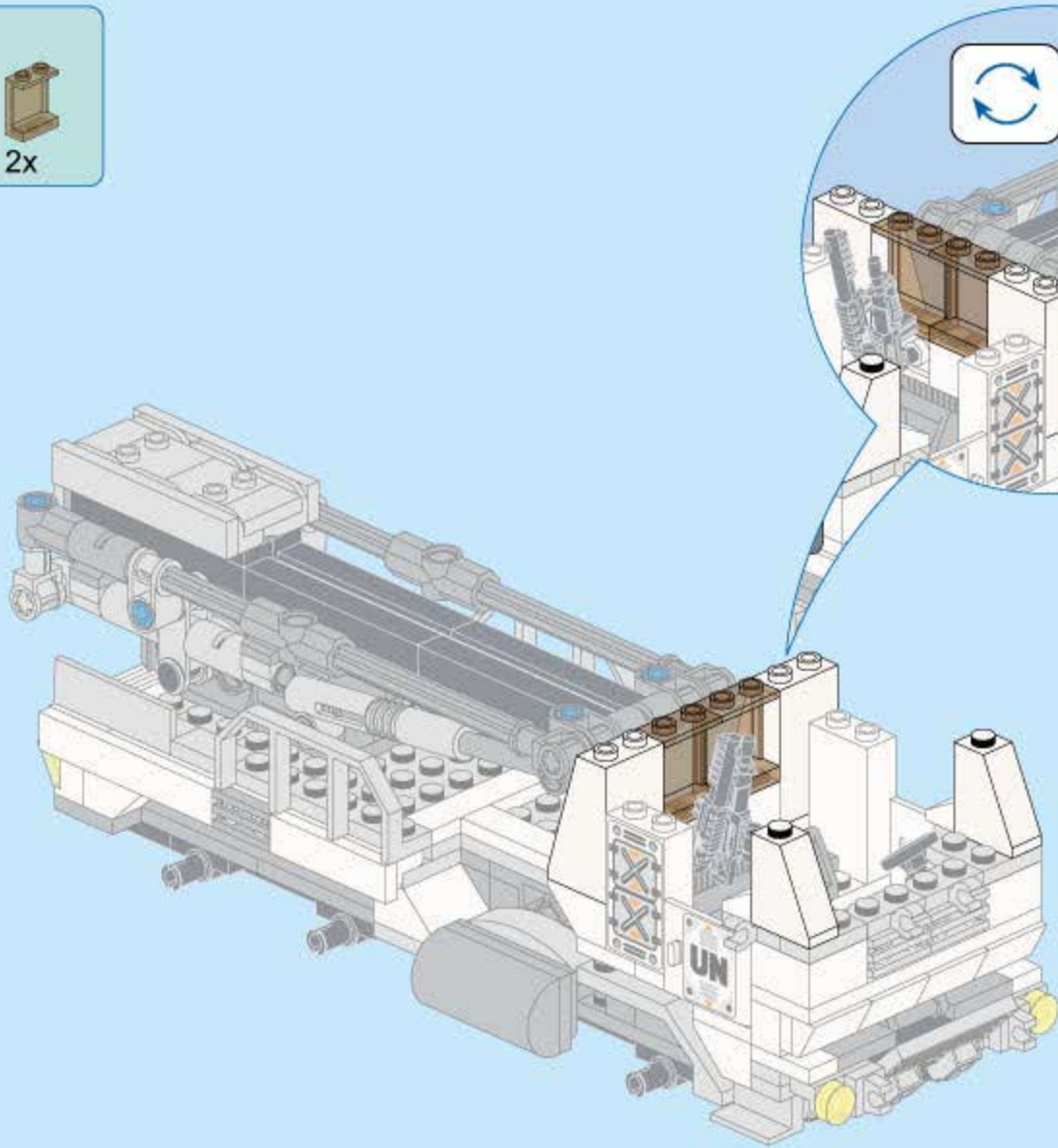
2x



2x



2x



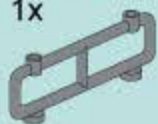
A42



1x



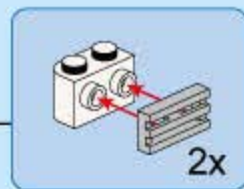
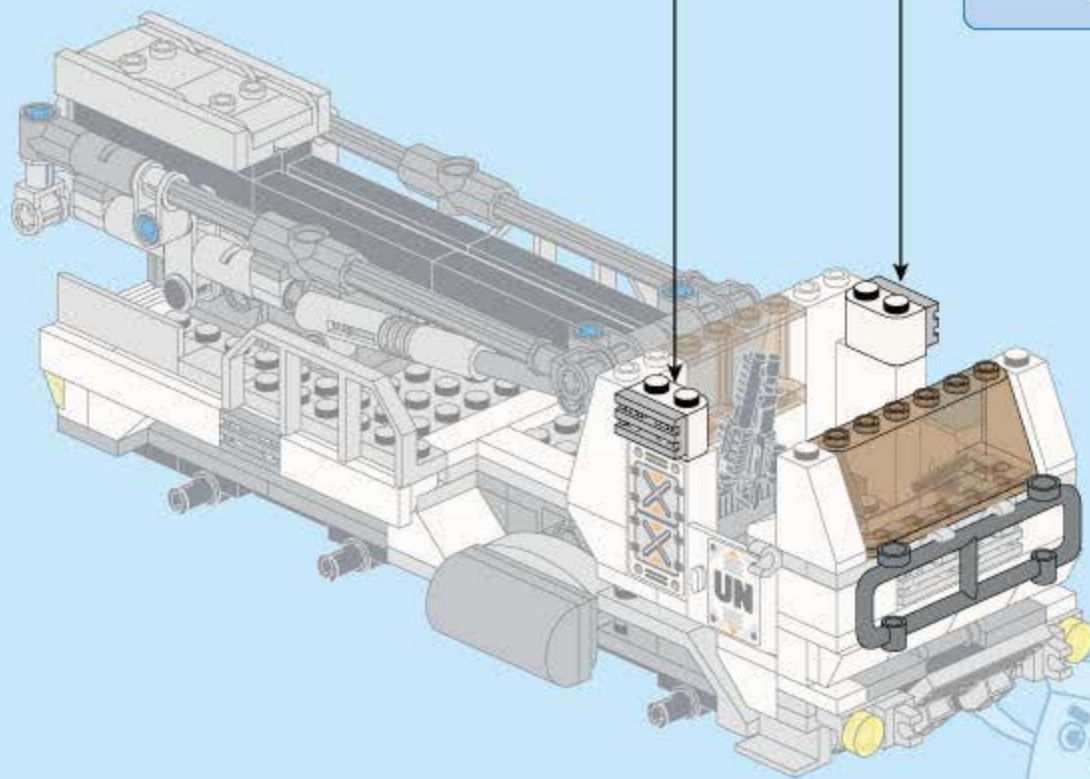
2x



1x



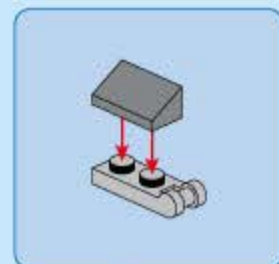
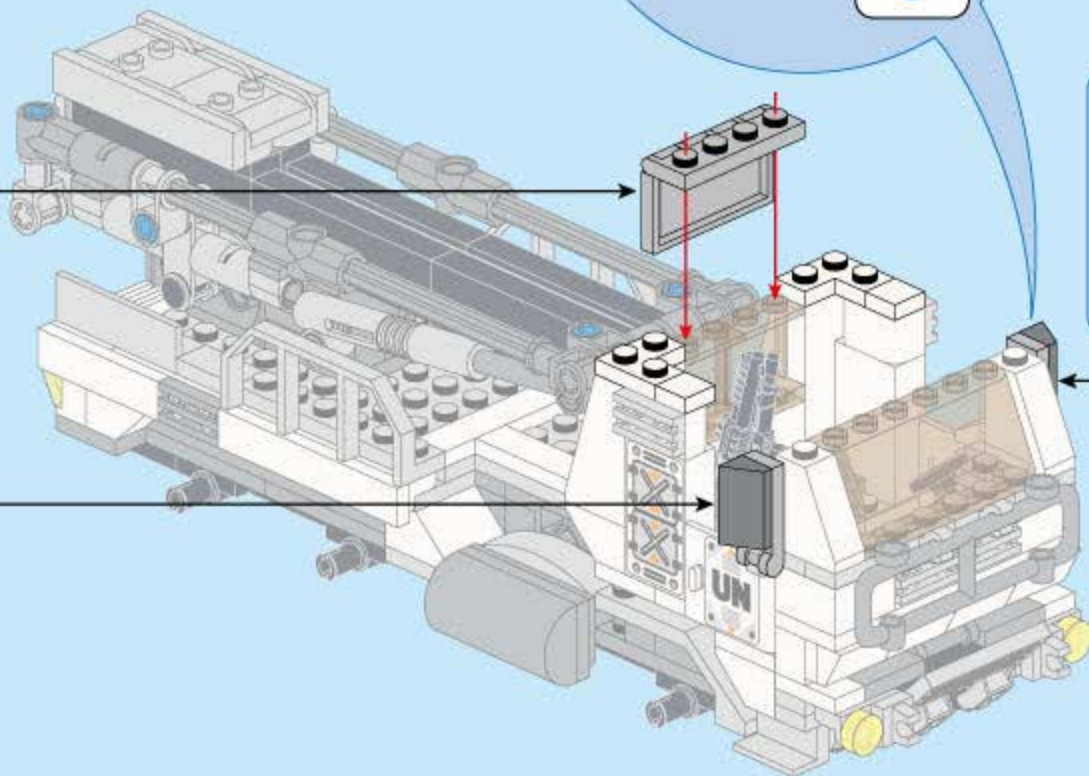
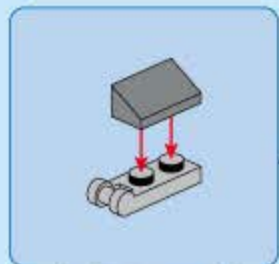
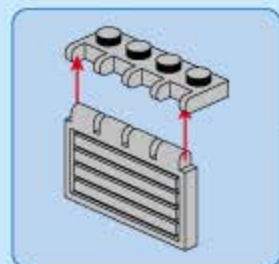
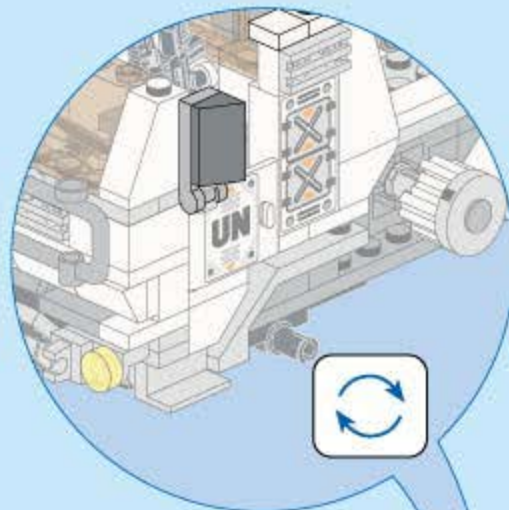
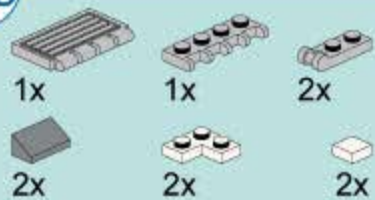
2x



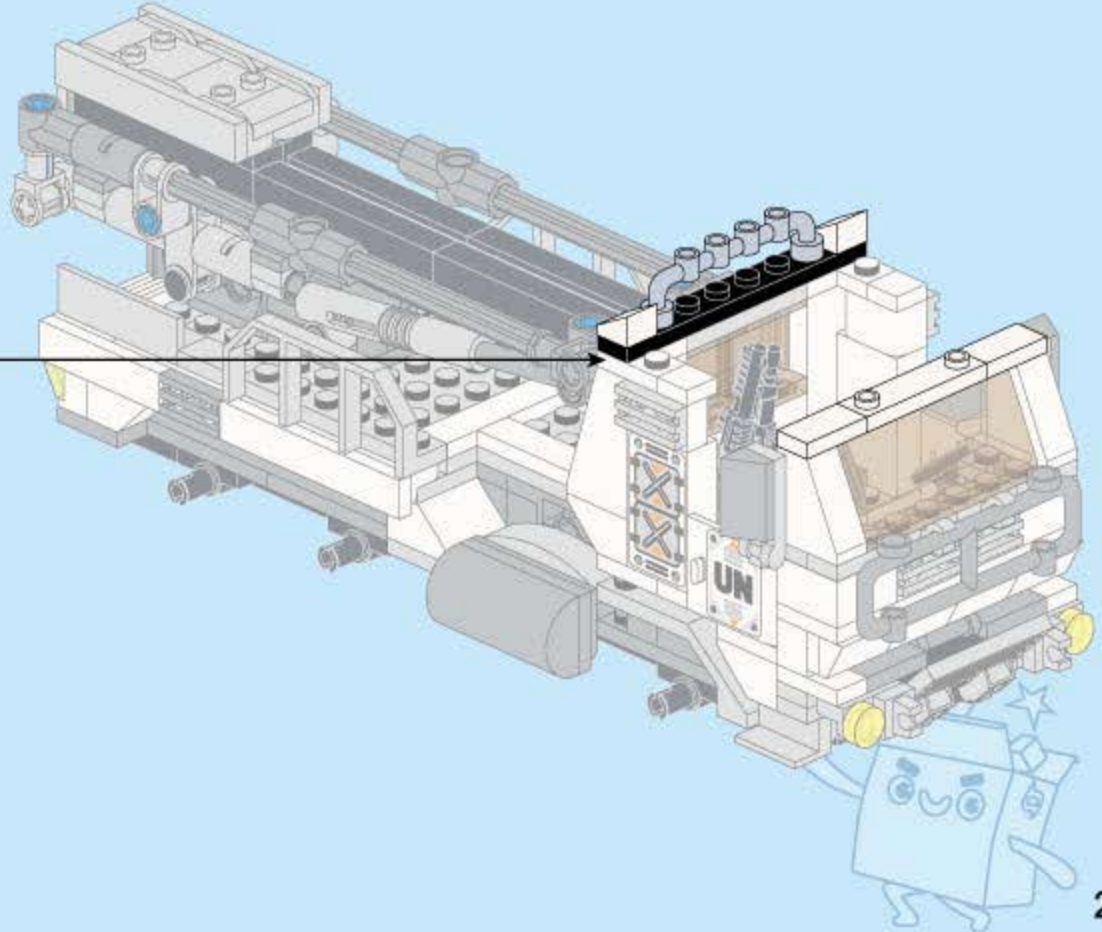
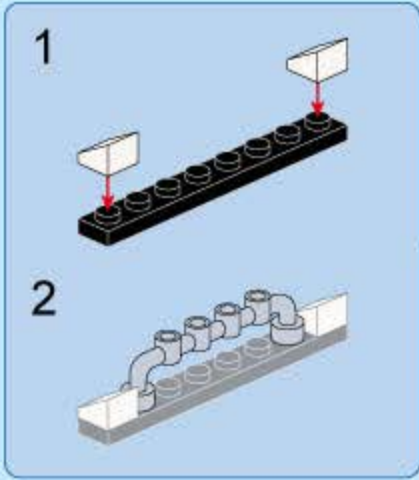
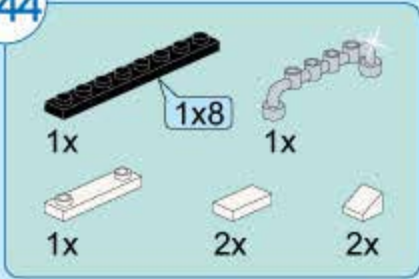
2x



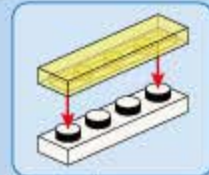
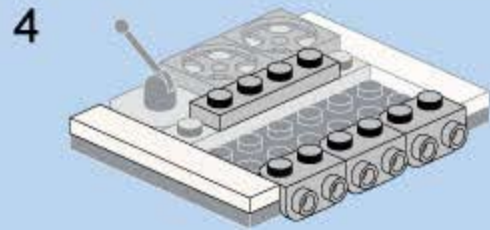
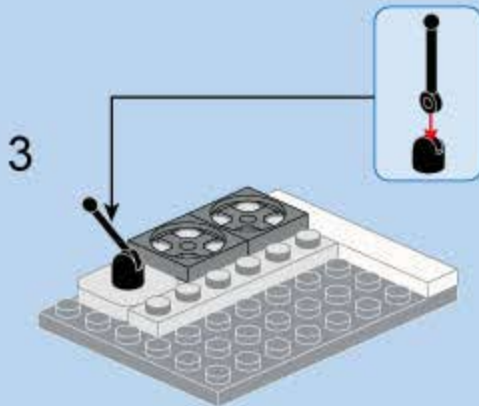
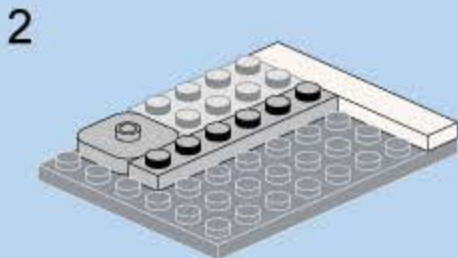
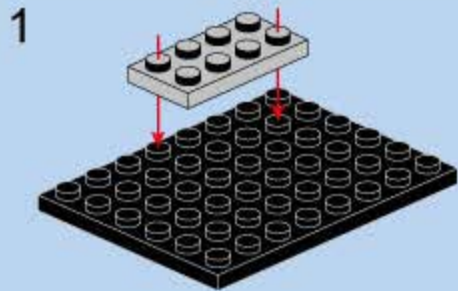
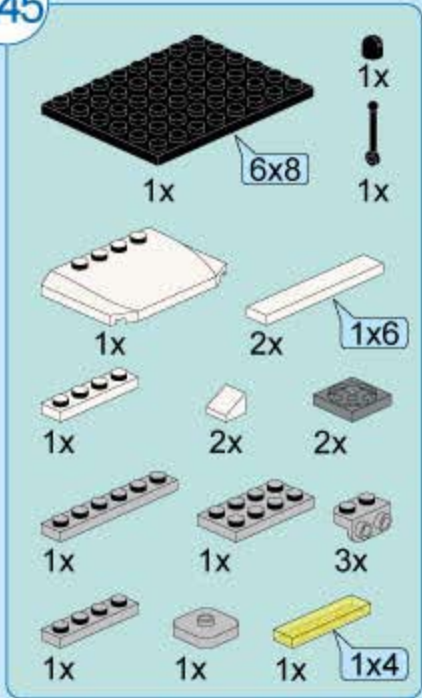
A43



A44



A45



A46



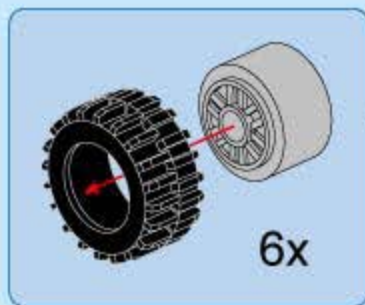
6x



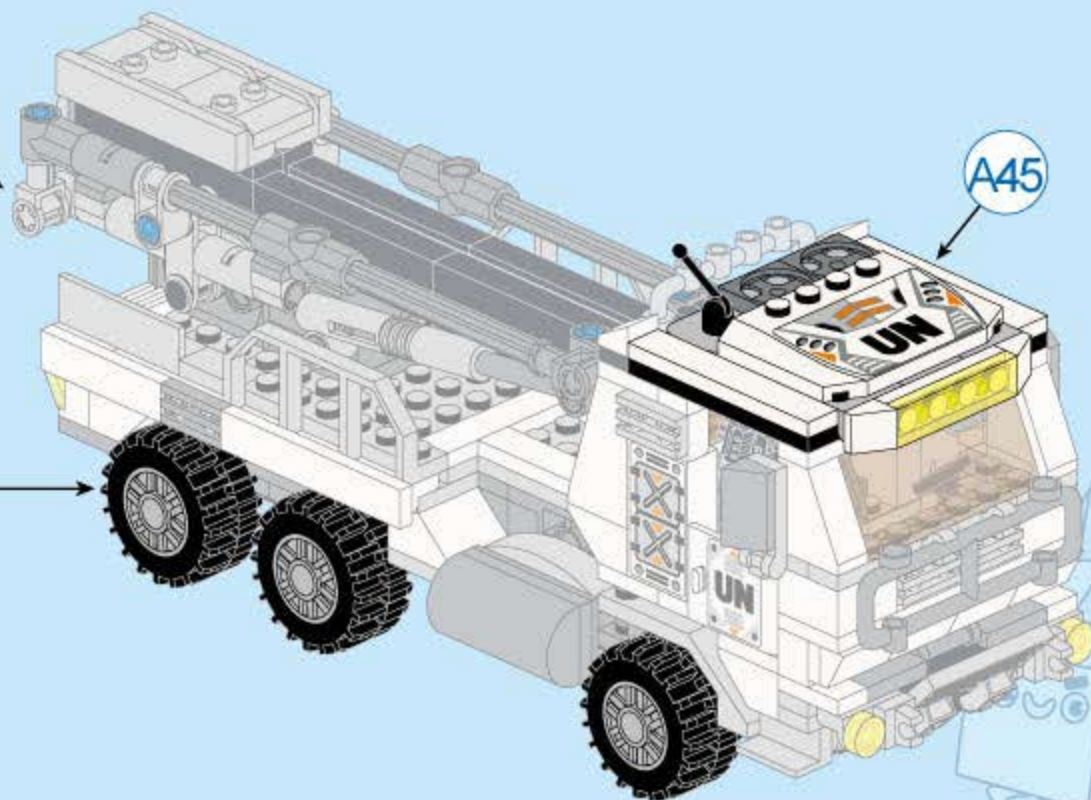
6x

A44

A45

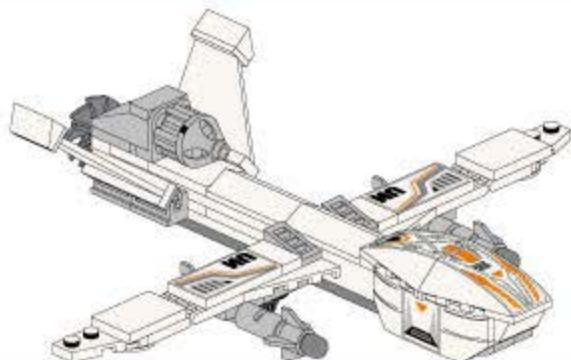


6x

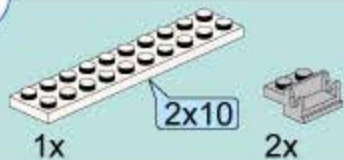




4



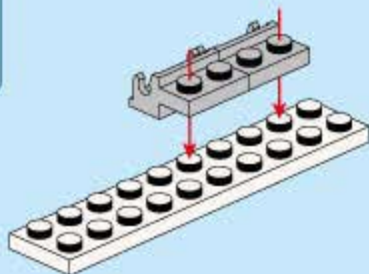
B1



1x

2x10

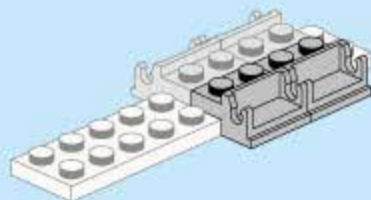
2x



B2



2x



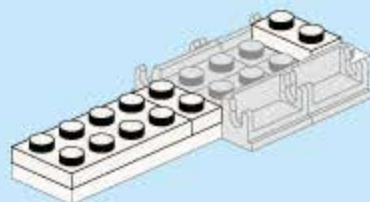
B3



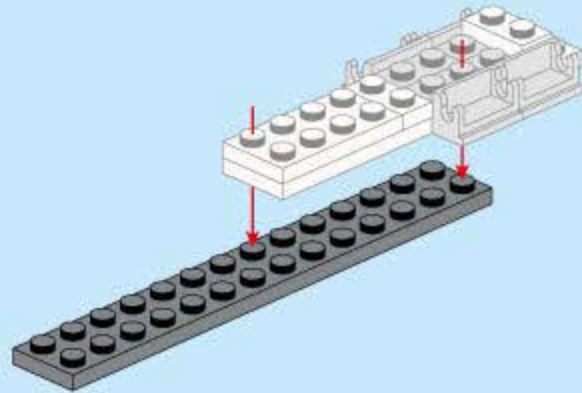
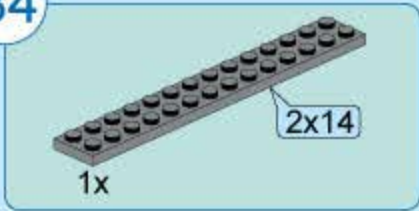
1x



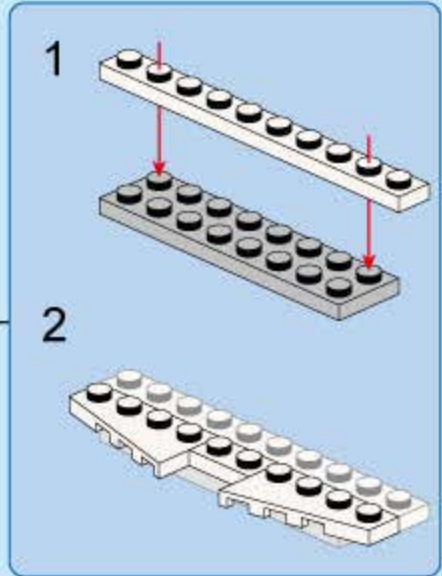
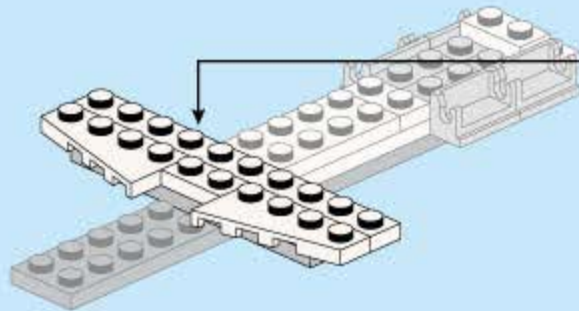
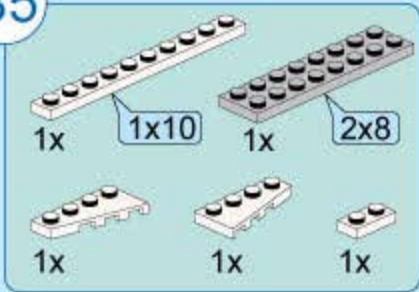
2x



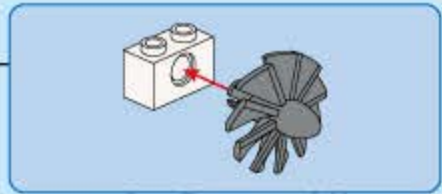
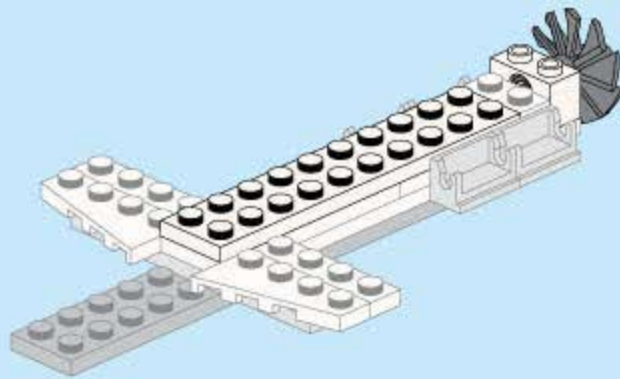
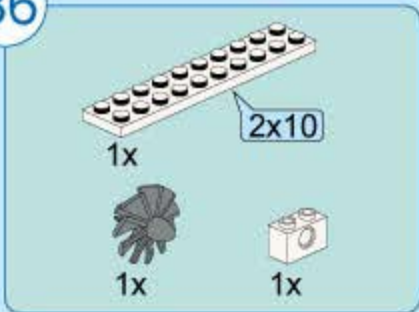
B4



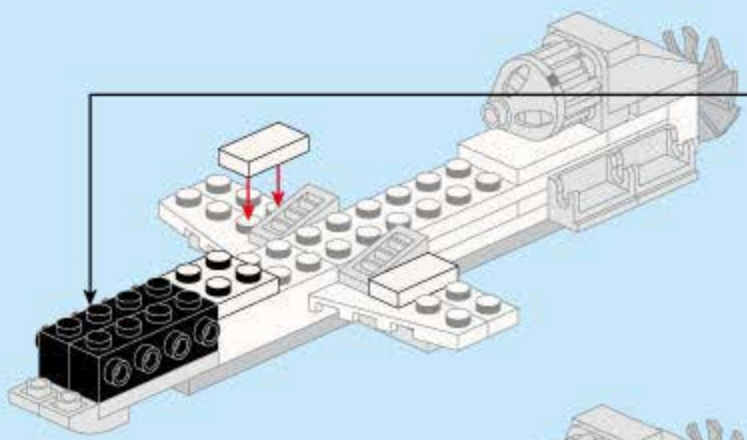
B5



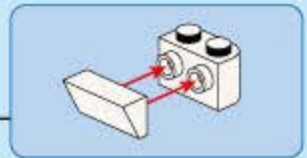
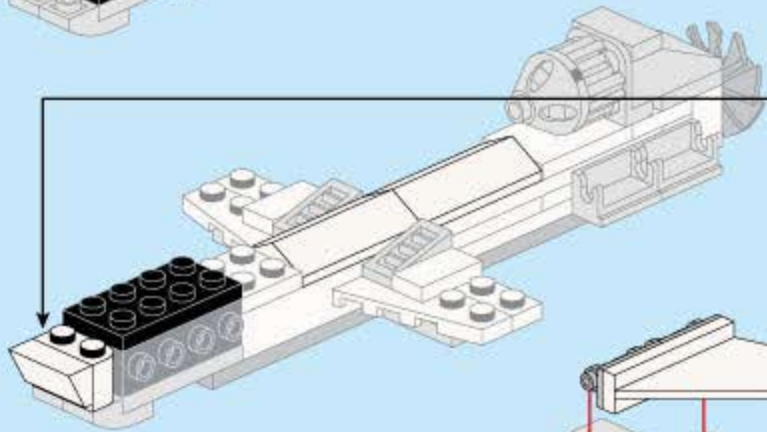
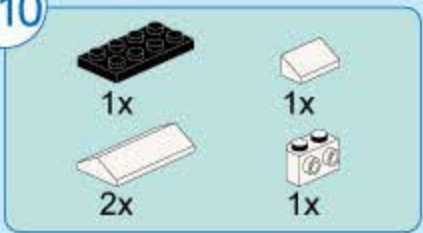
B6



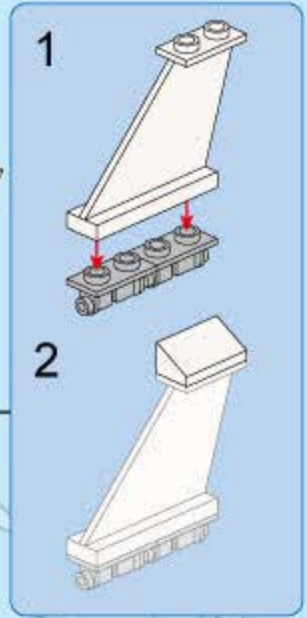
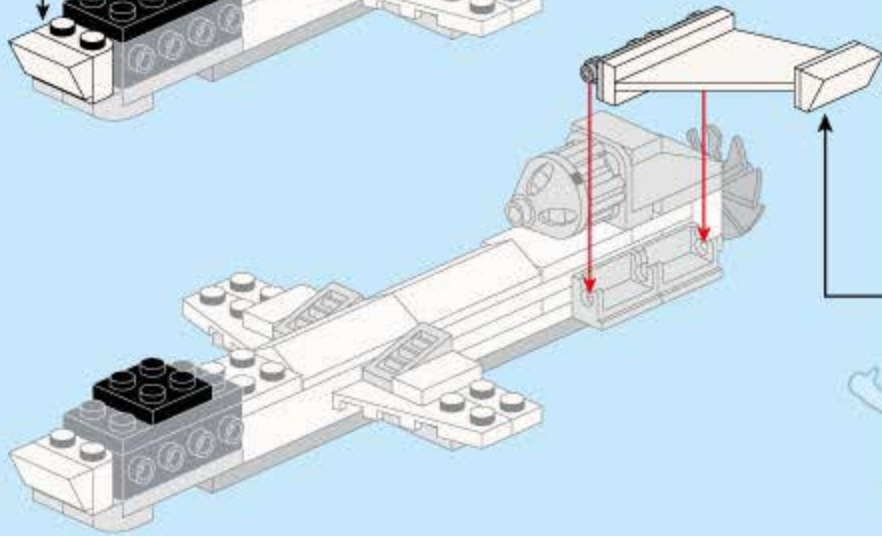
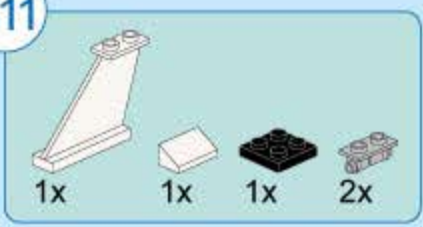
B9



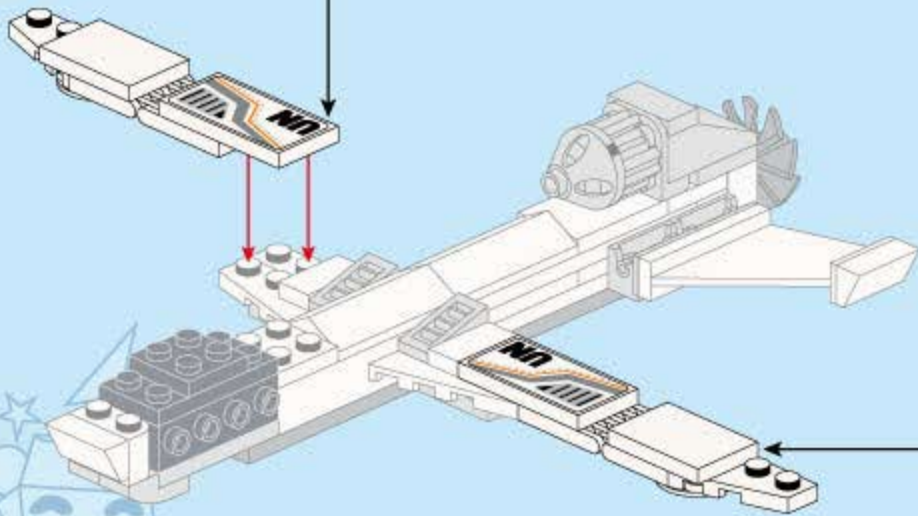
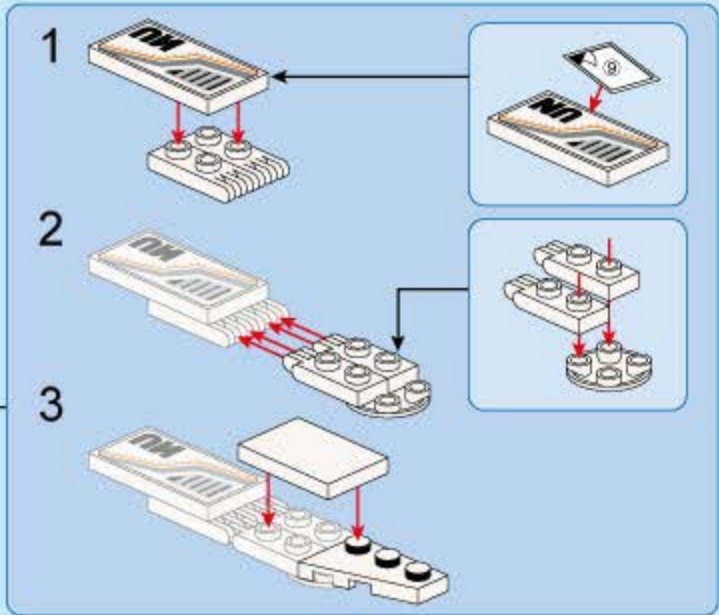
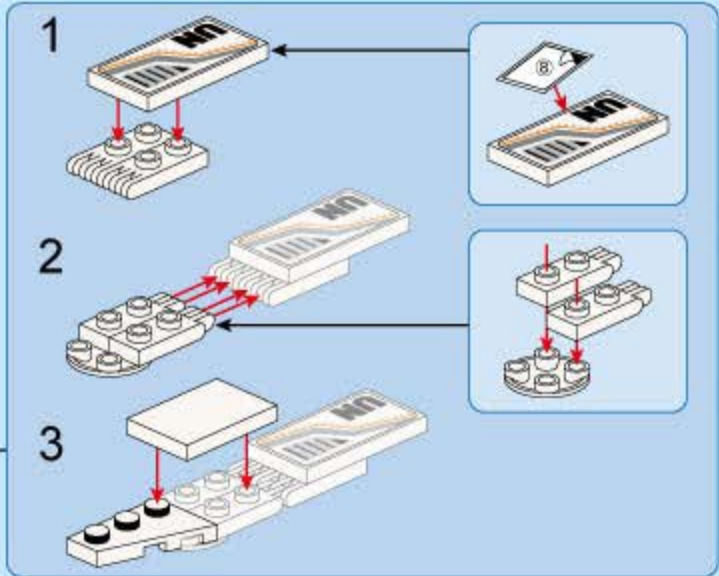
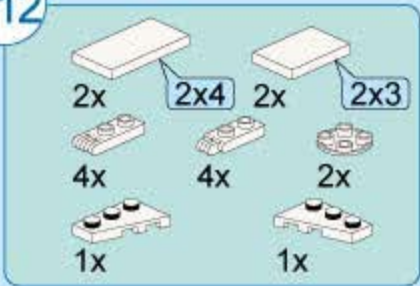
B10



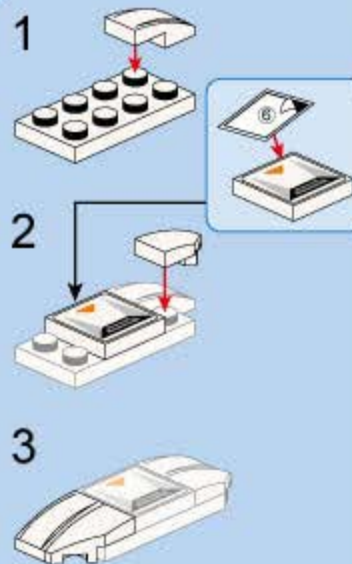
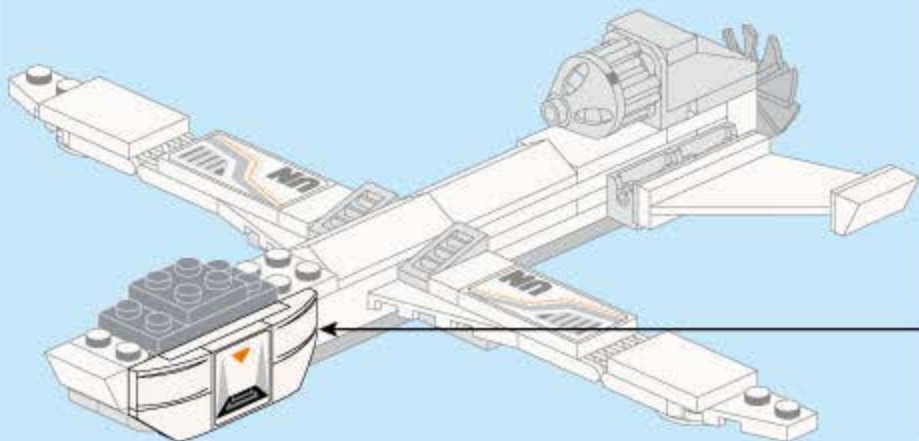
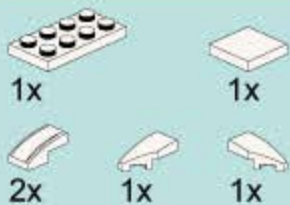
B11



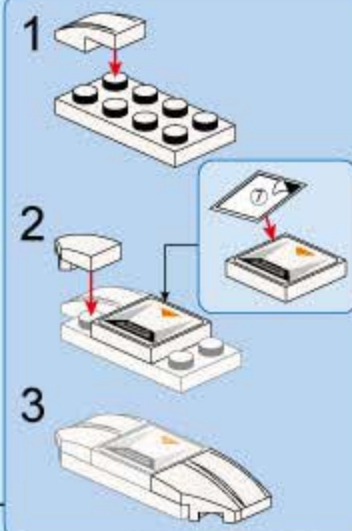
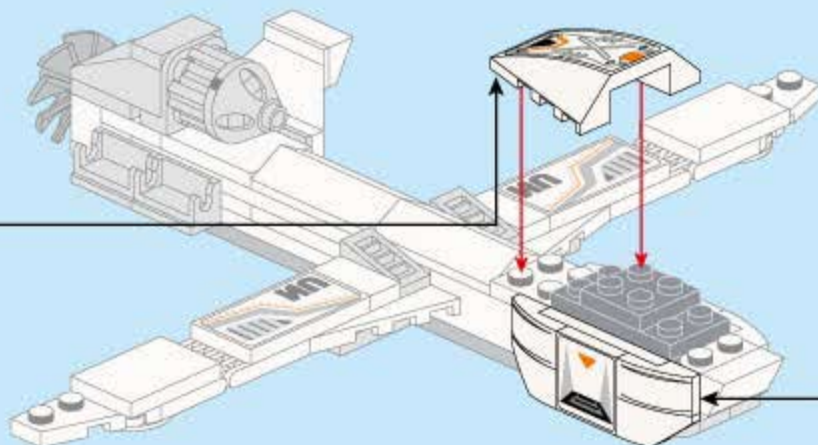
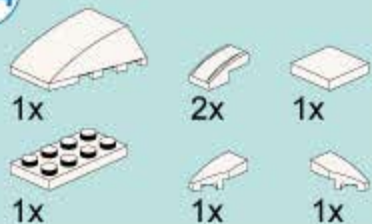
B12



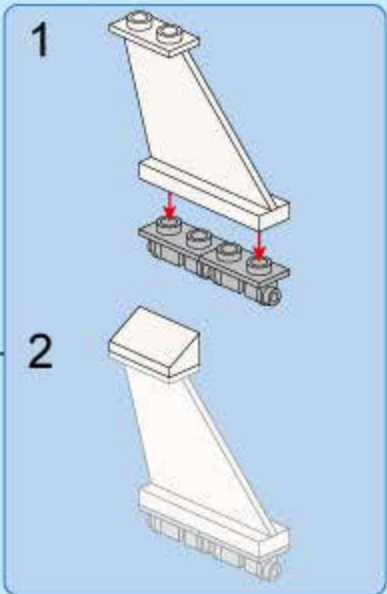
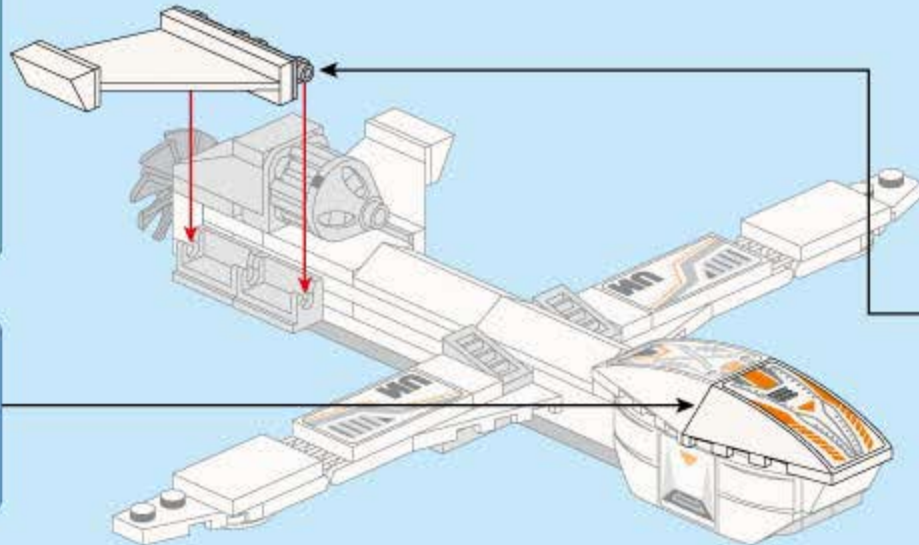
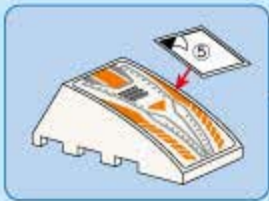
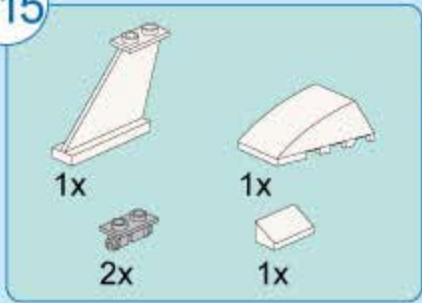
B13



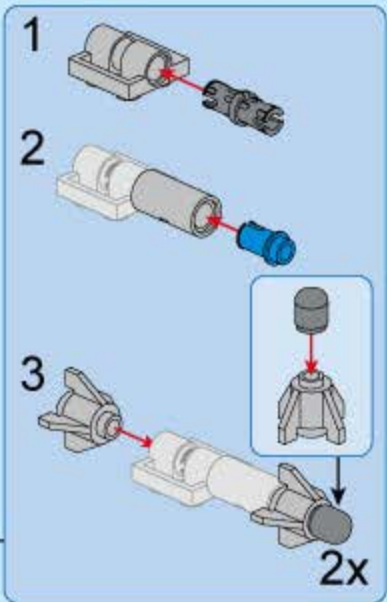
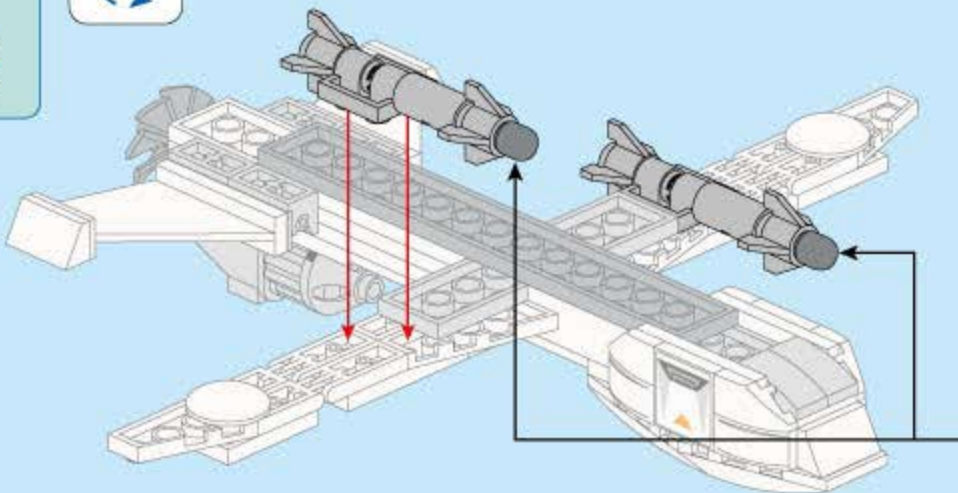
B14



B15



B16



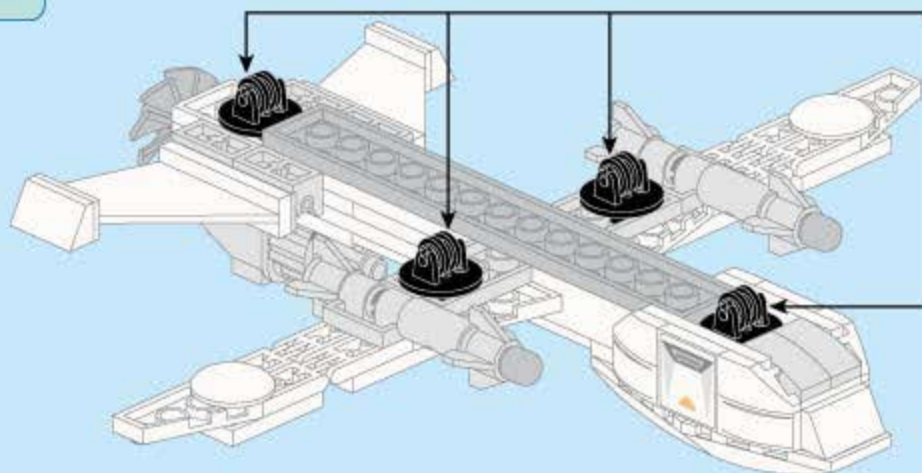
B17



4x

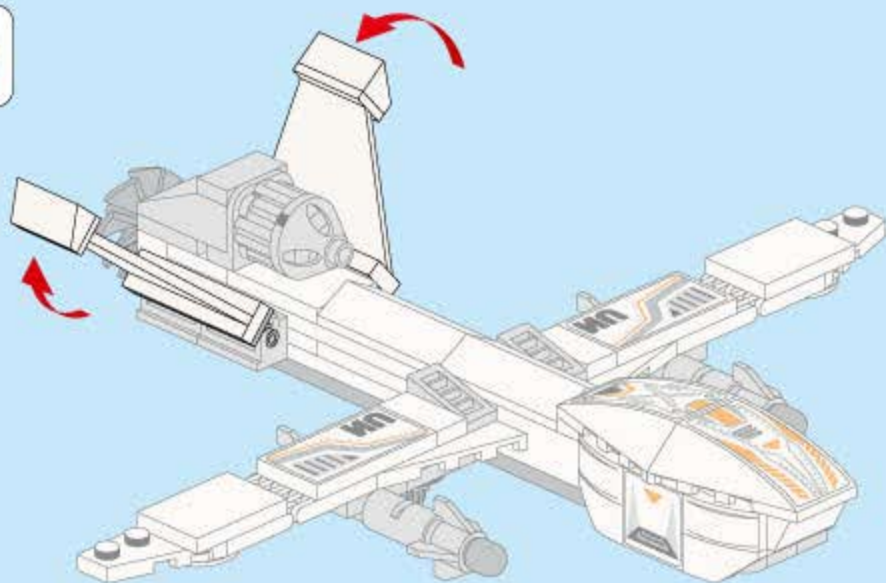


4x



4x

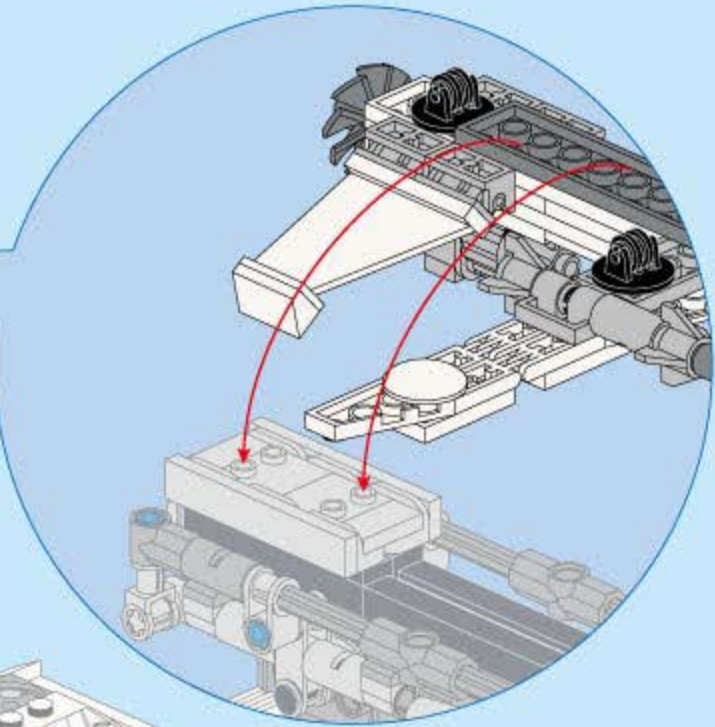
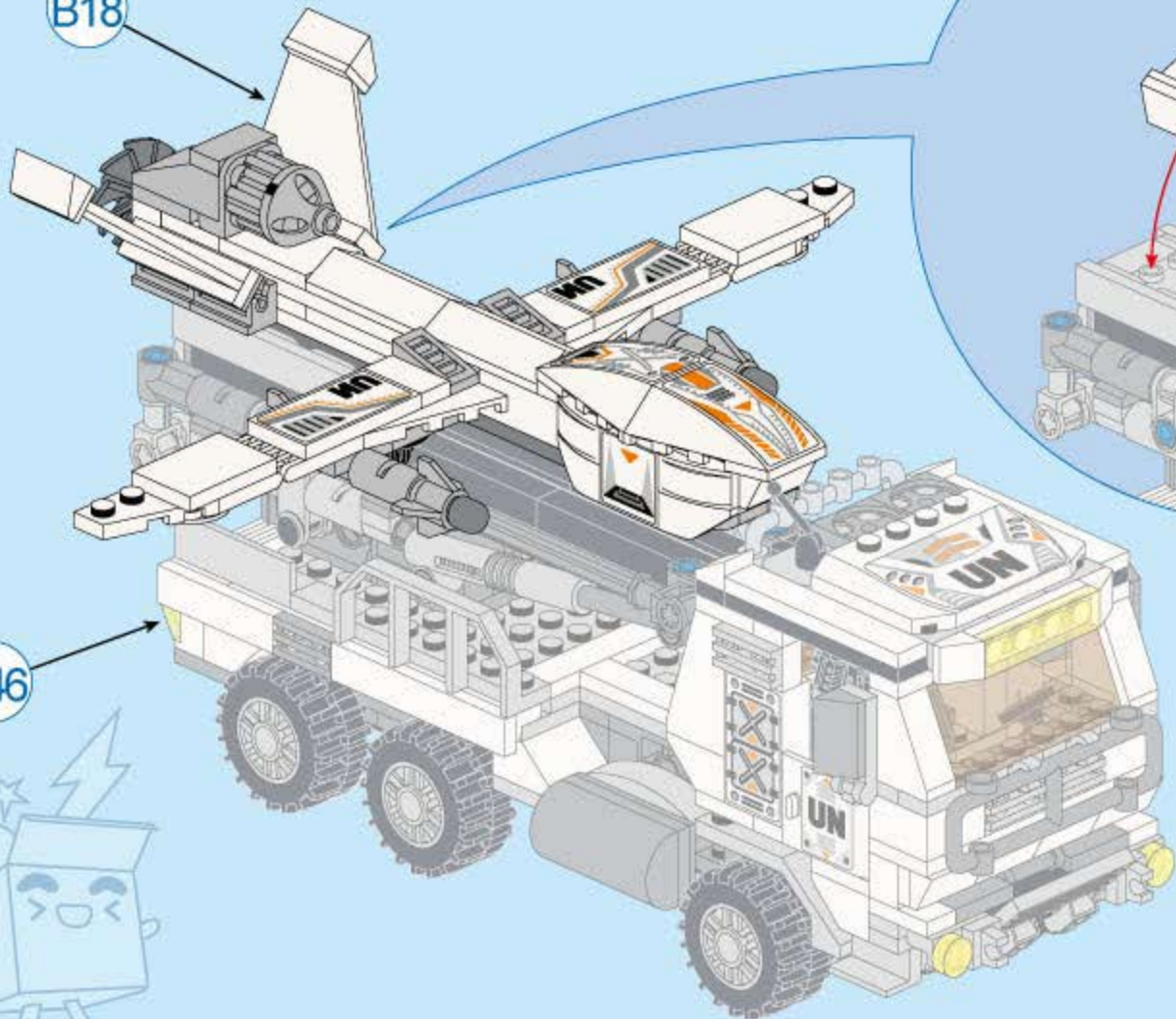
B18

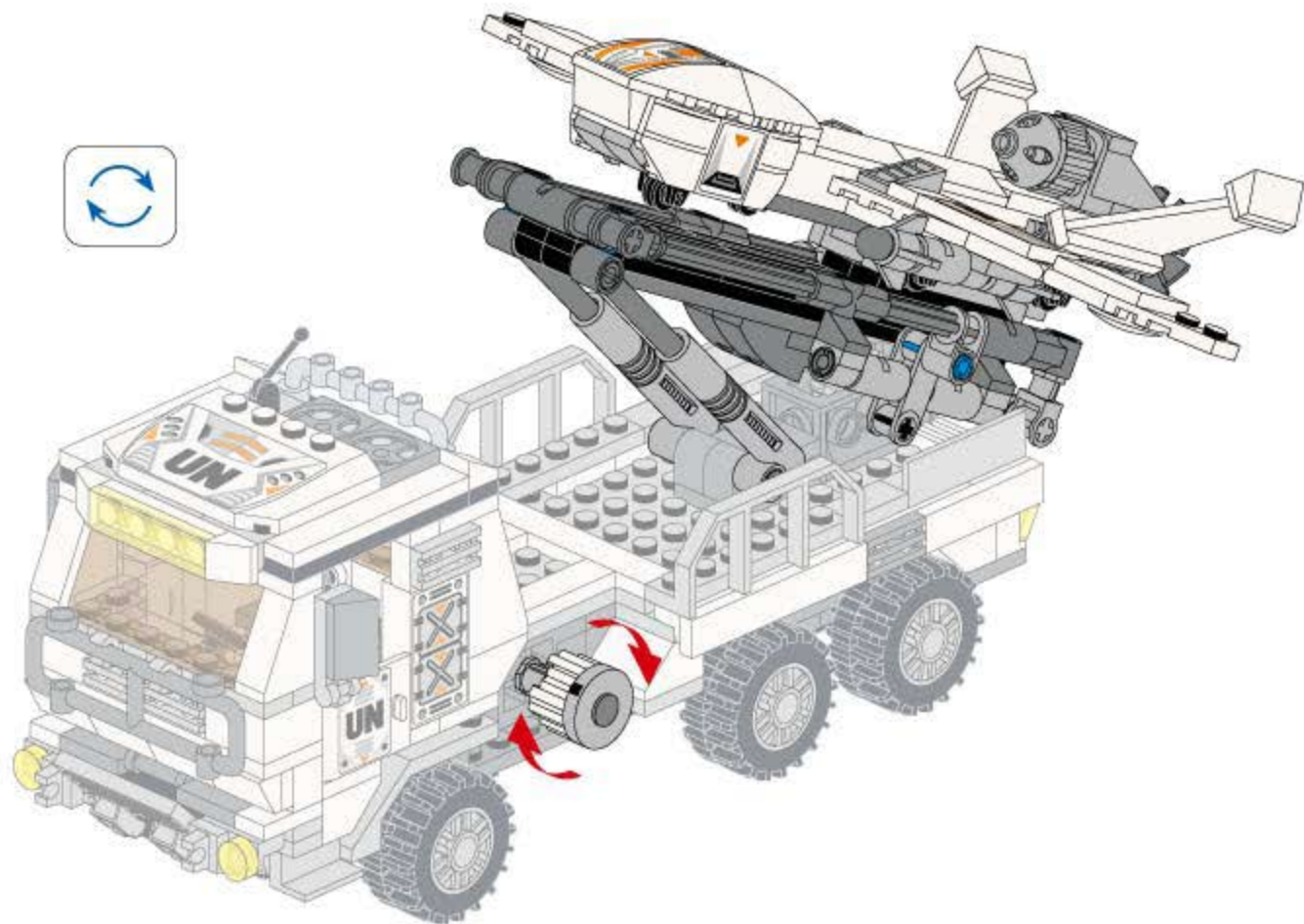


B19

B18

A46







3215

THUNDER MISSION

JOINT OPERATION

SERIES



3211 Assaulting Helicopter



3212 Mine-Resistant Ambush Protected (MRAP) vehicle



3213 Surface-to-air missile launch vehicle



3214 The Thunder Mission Command Center