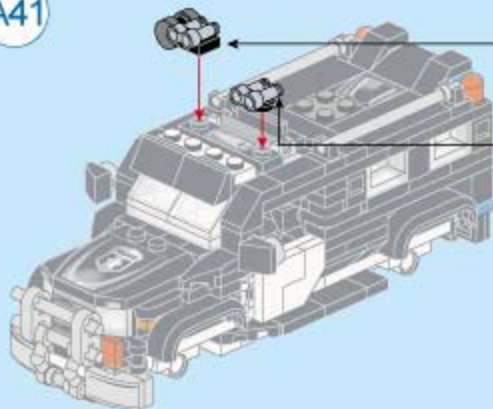




# 1808 (8in1) USER MANUAL

A41



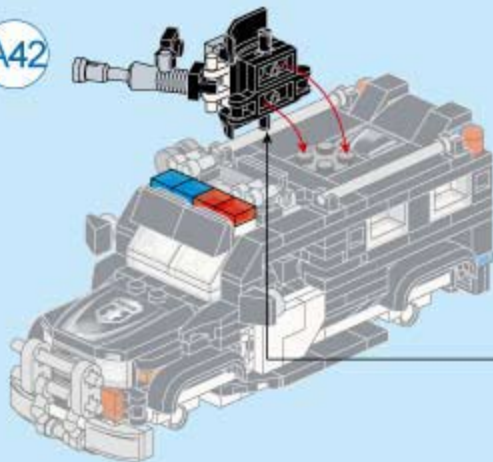
1



2



A42



1



2



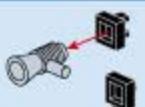
3



4



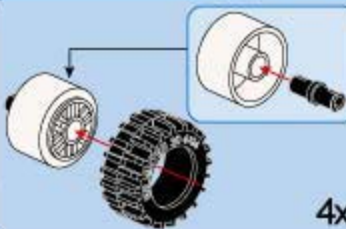
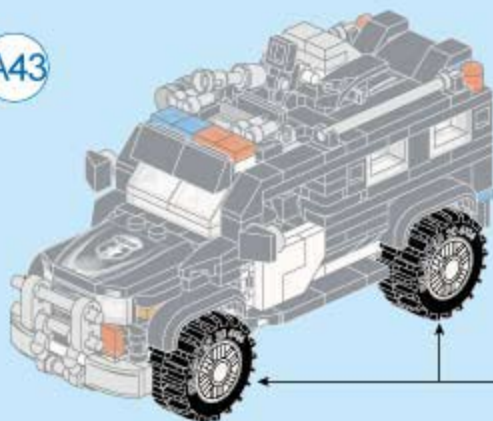
1



2



A43



4x