



POLICE

BATTLE FORCE

1930

Ages: 6+

Minifigs: X7

Pcs: 970

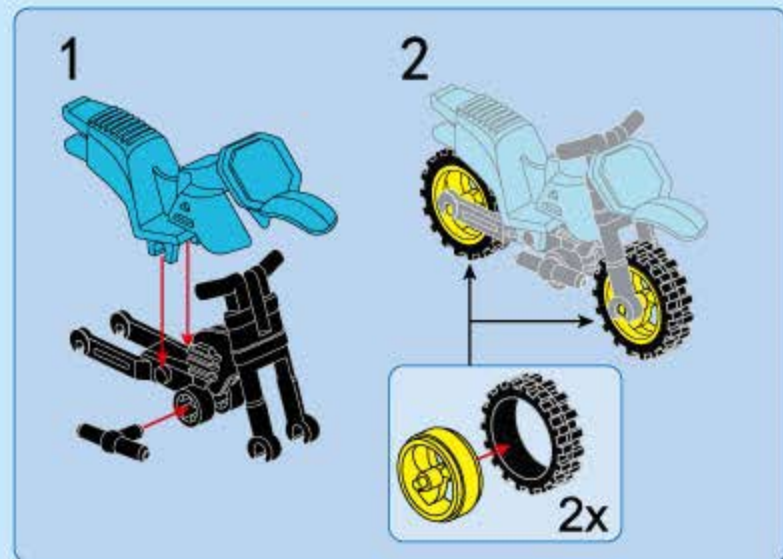
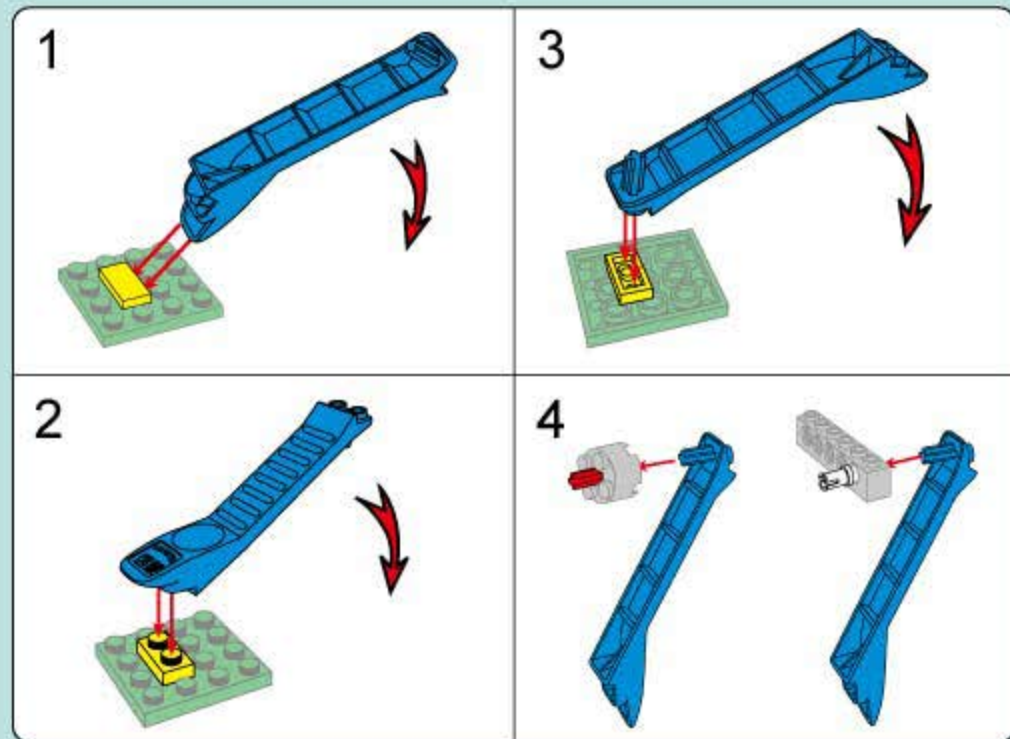


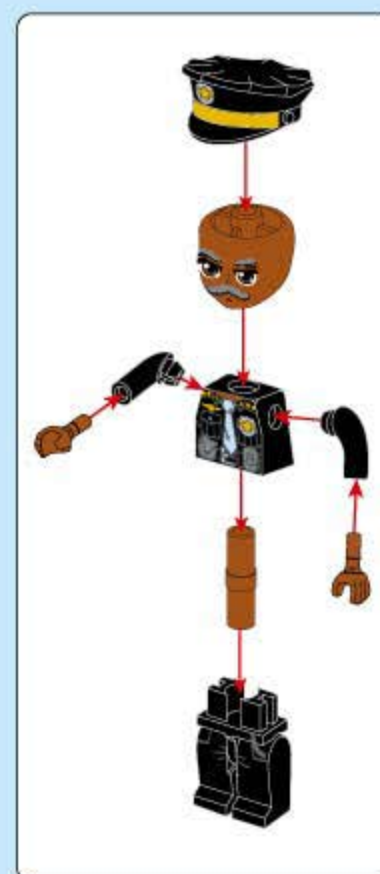
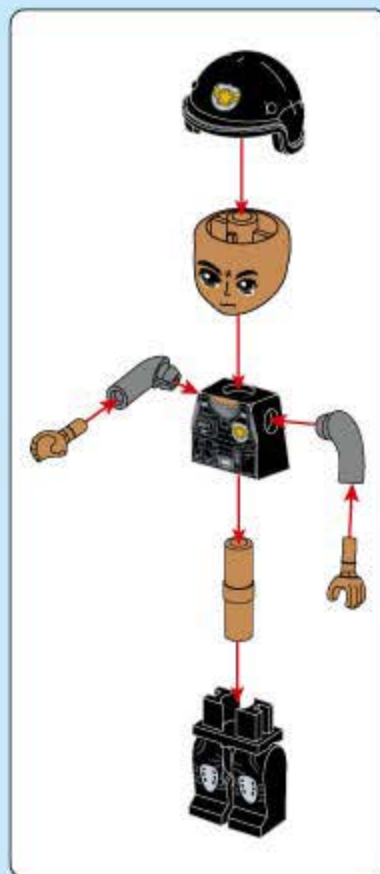
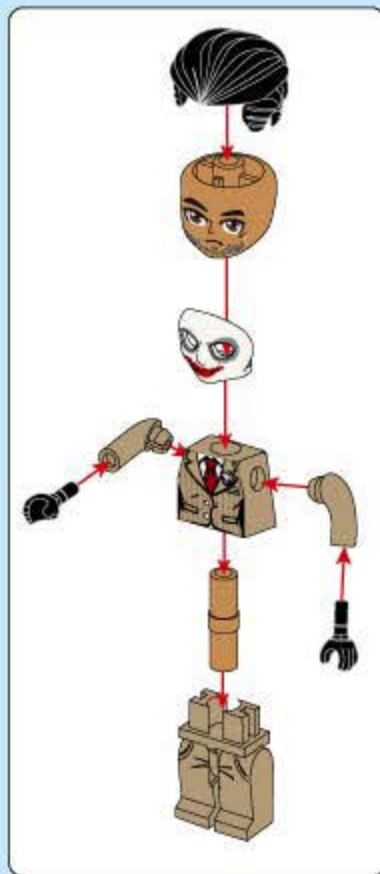
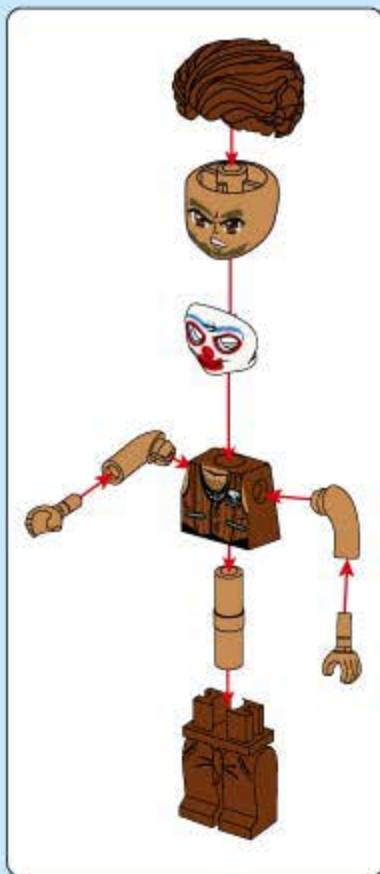
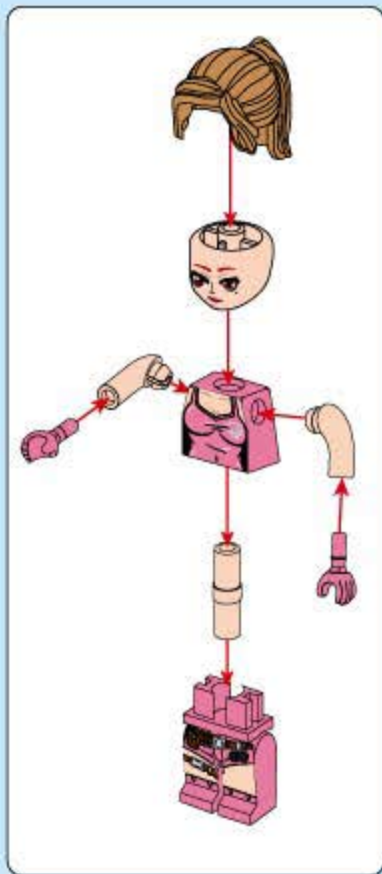
ANTIRIOT ARMORED CAR

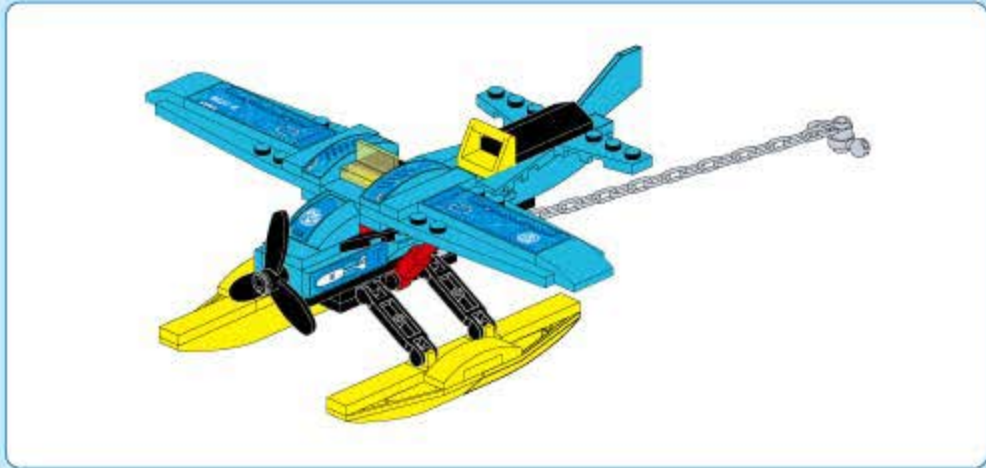


拆件器使用方法，仅为示例

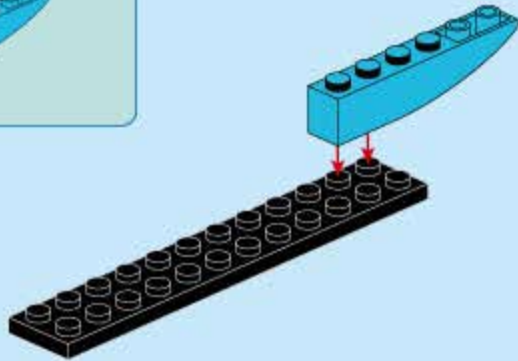
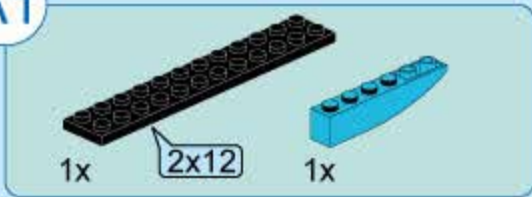
Usage of Brick Separator, Just for the sample



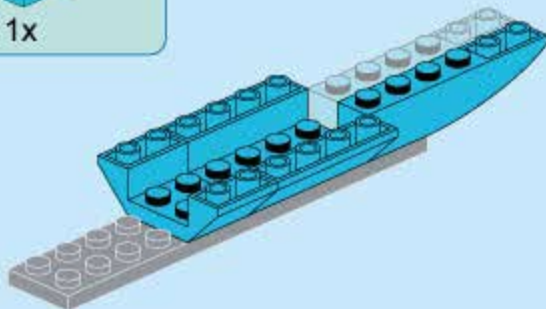
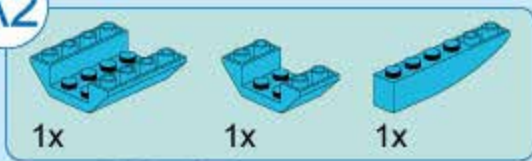




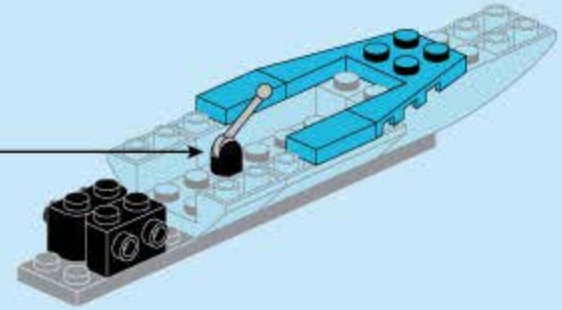
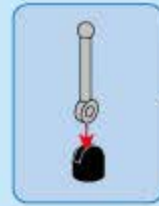
A1



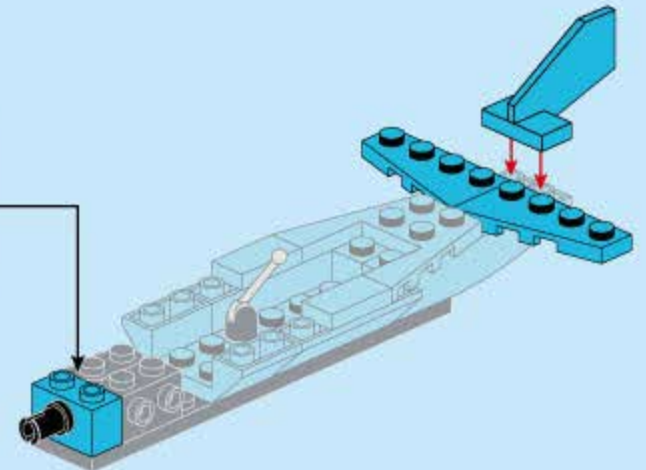
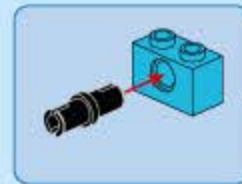
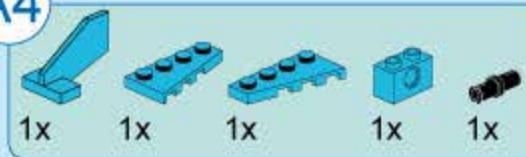
A2



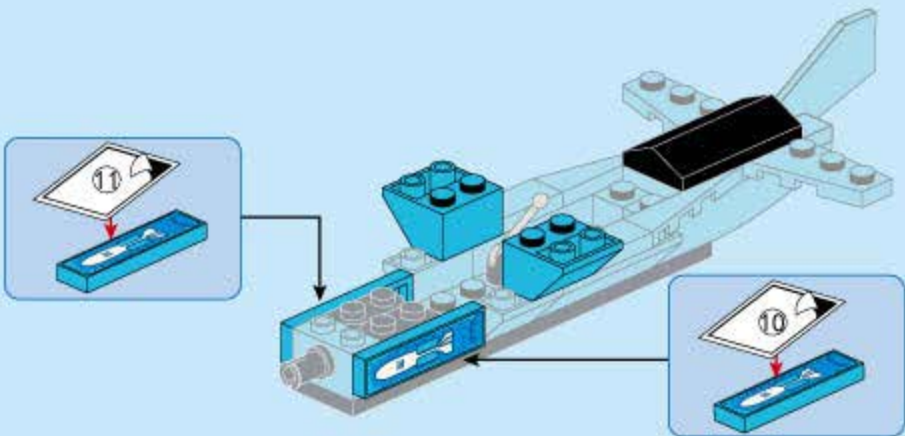
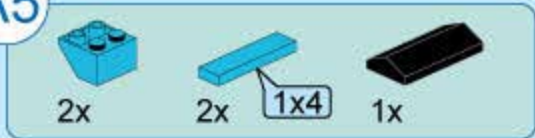
A3



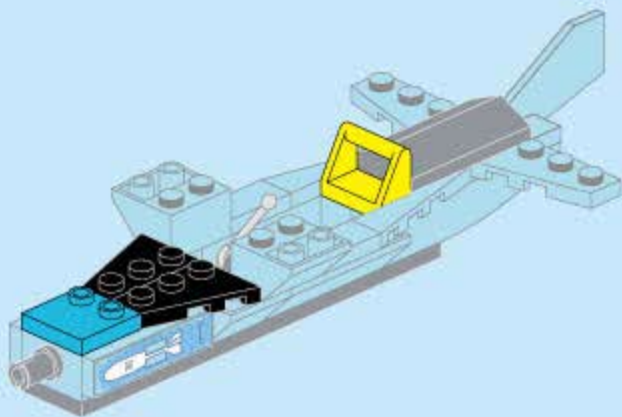
A4



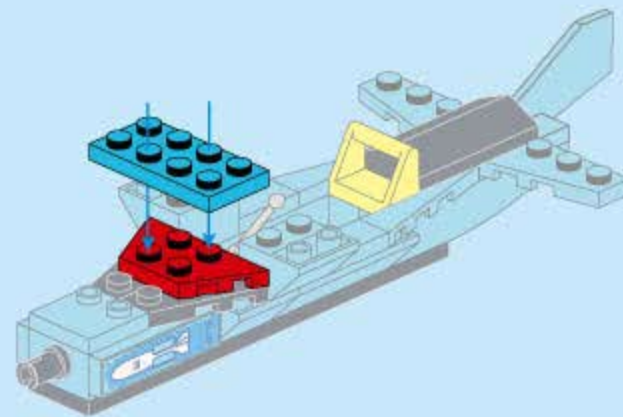
A5



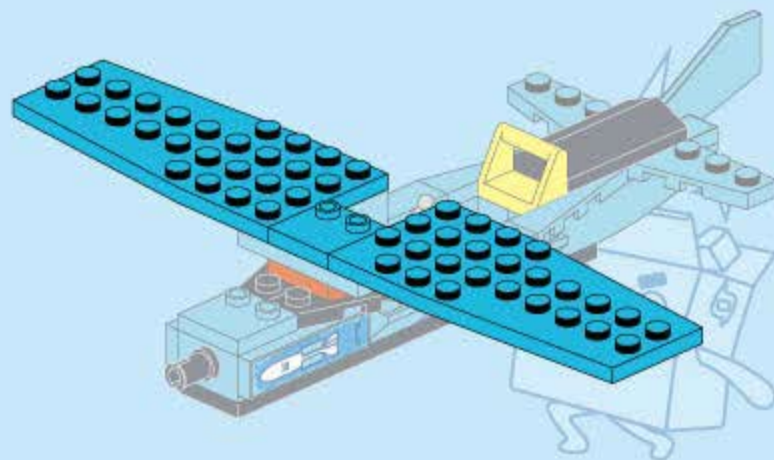
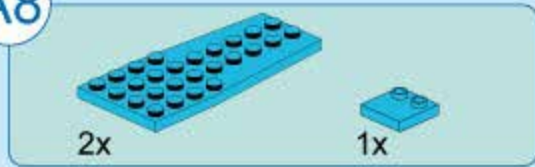
A6



A7



A8



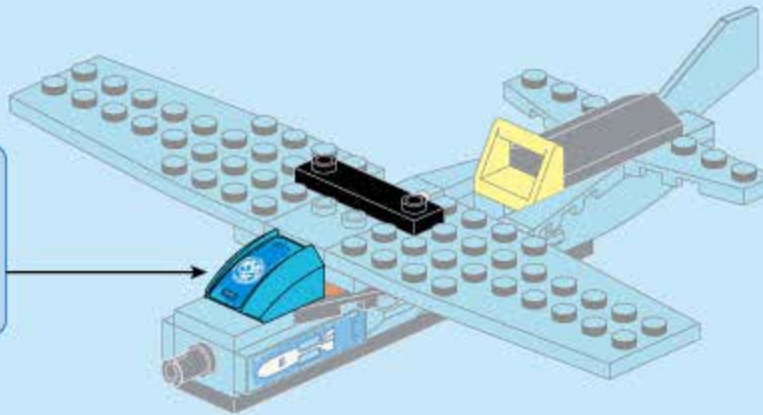
A9



1x



1x



A10



2x

2x6

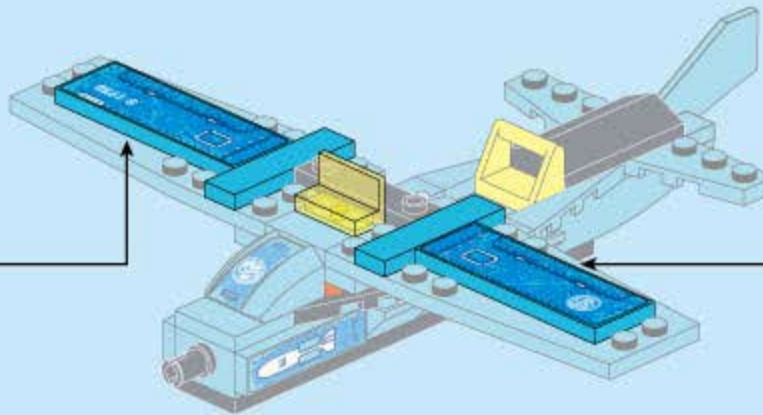


2x

1x4



1x



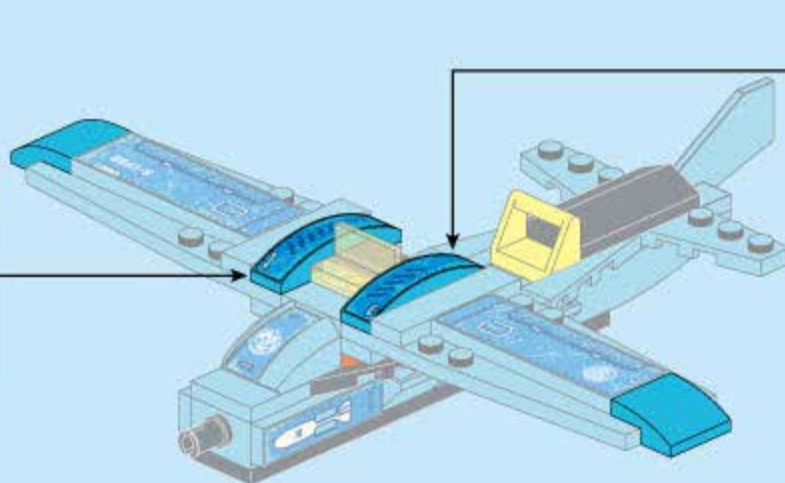
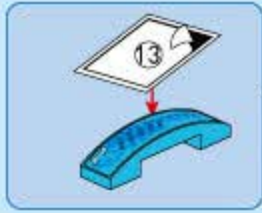
A11



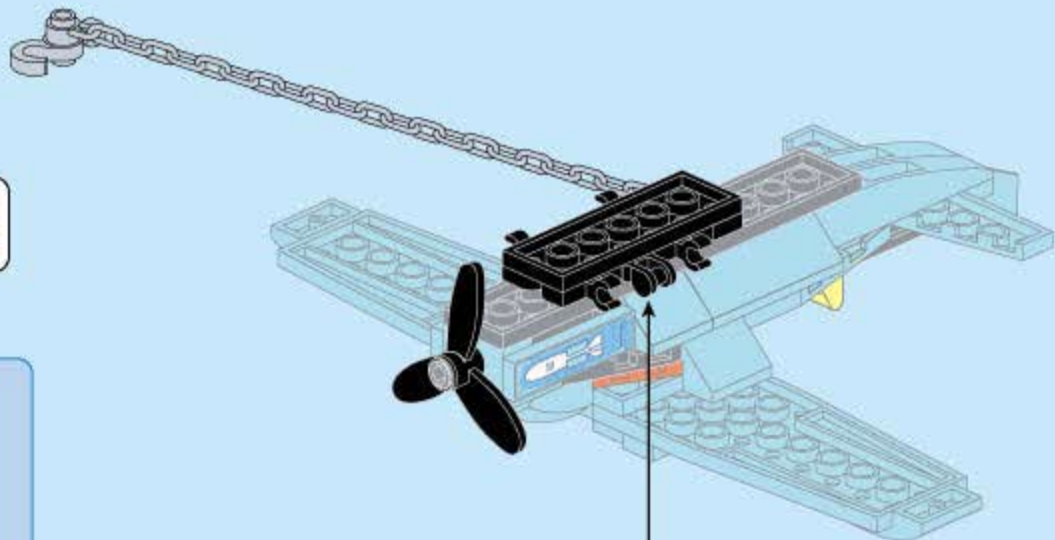
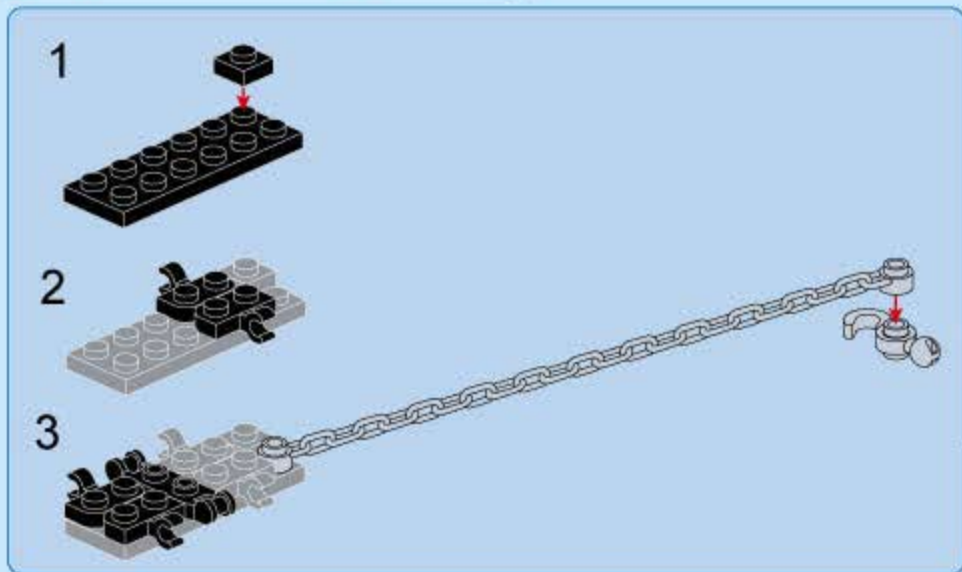
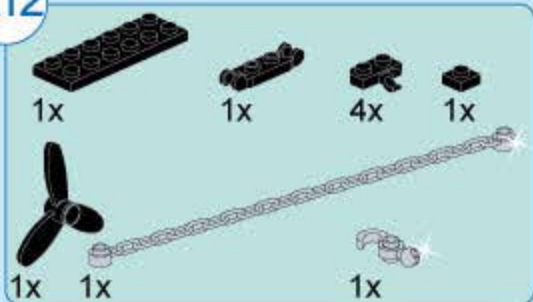
2x



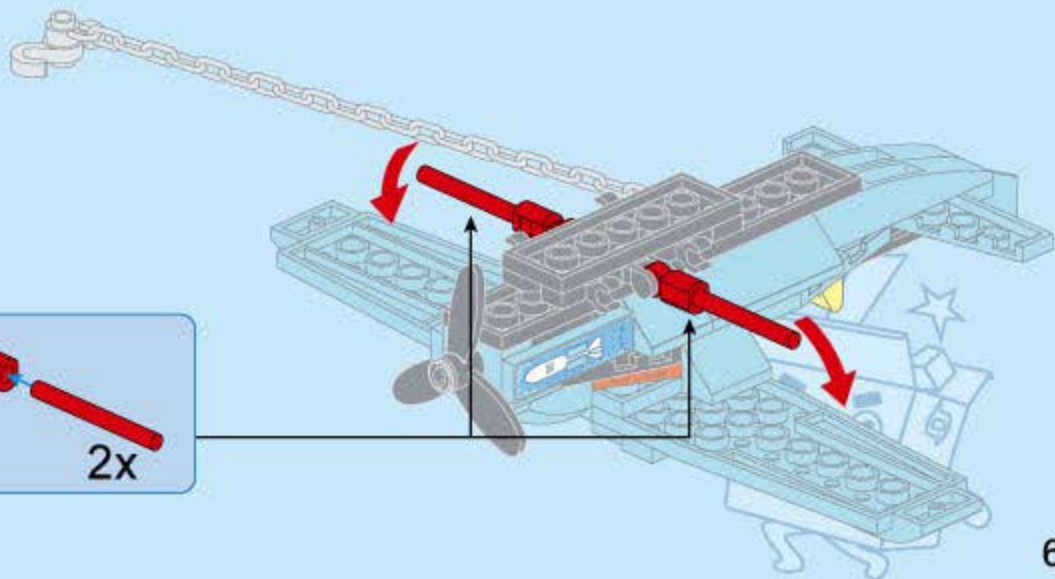
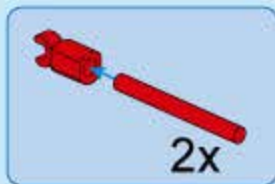
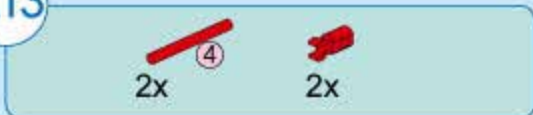
2x



A12

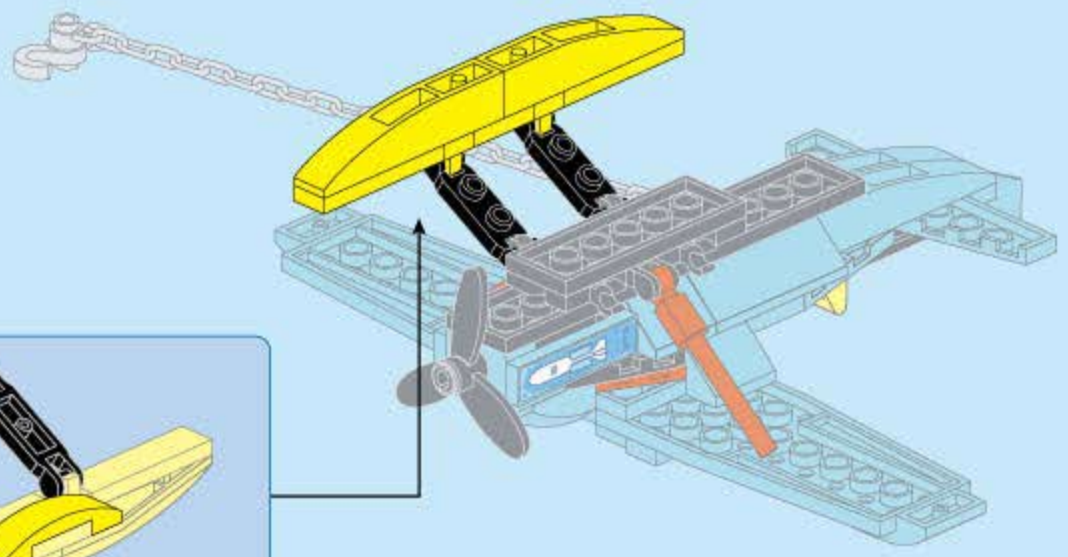
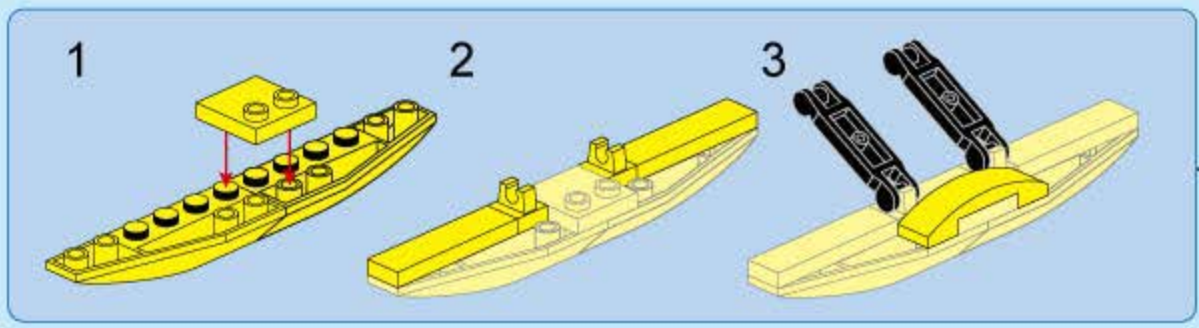


A13



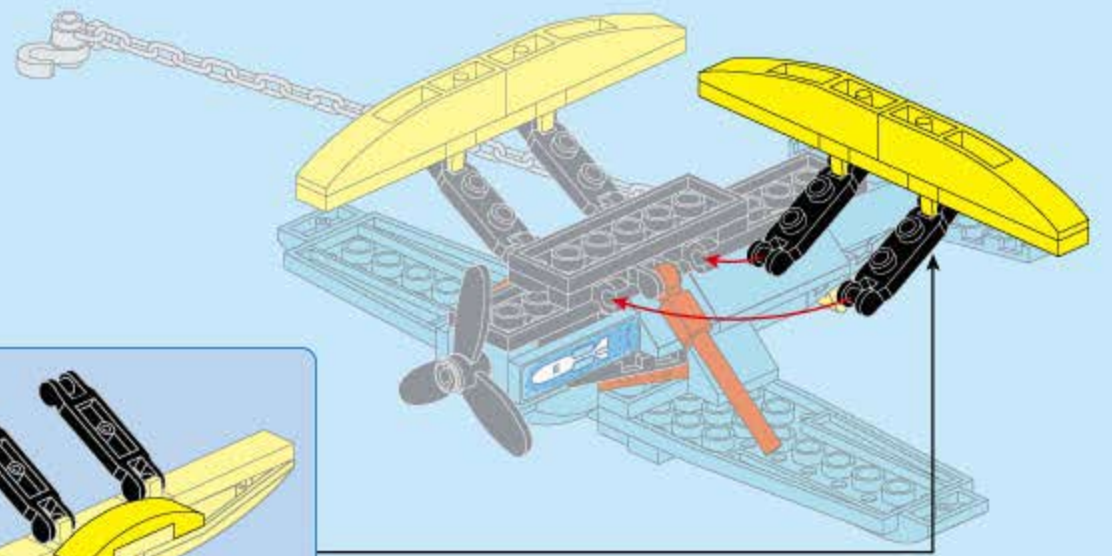
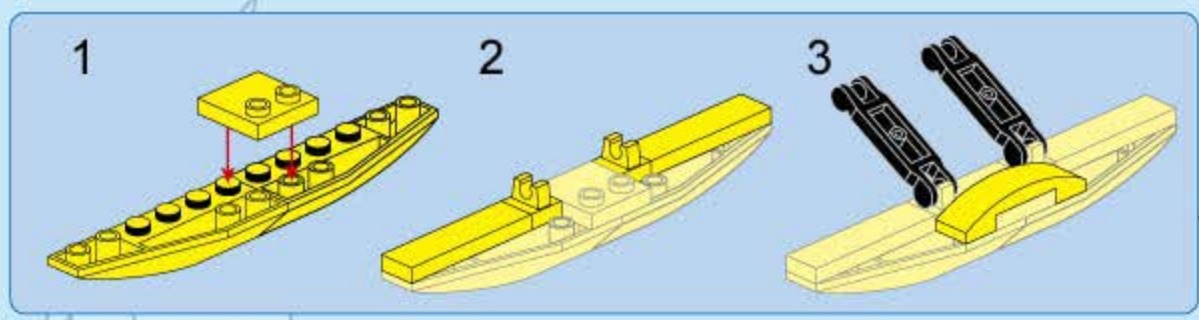
A14

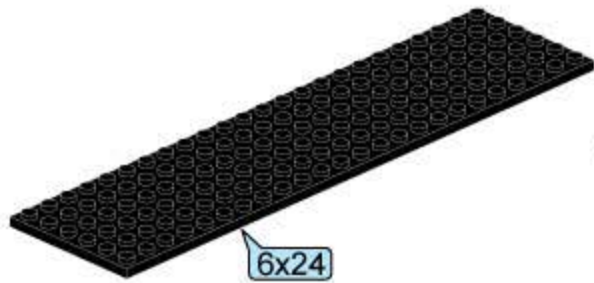
- 1x
- 1x
- 1x
- 2x
- 1x
- 2x
- 2x



A15

- 1x
- 1x
- 1x
- 2x
- 1x
- 2x
- 2x



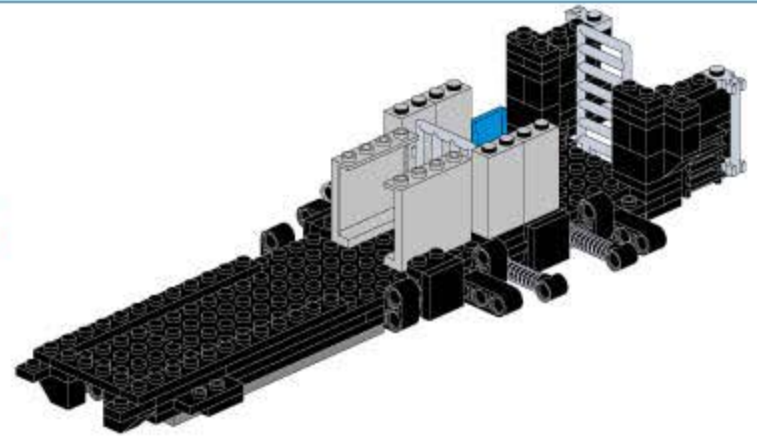


6x24

+



2



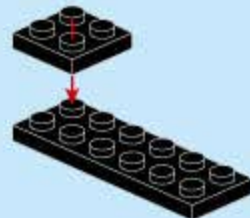
B1



1x



1x



B2



2x



2x



1x



B3



1x

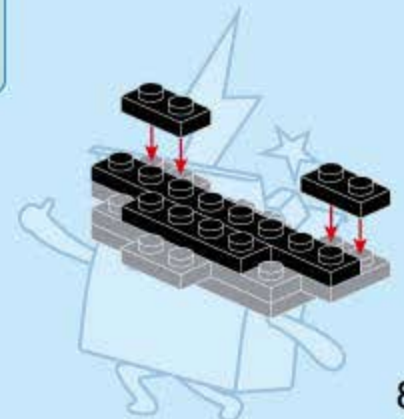
1x8



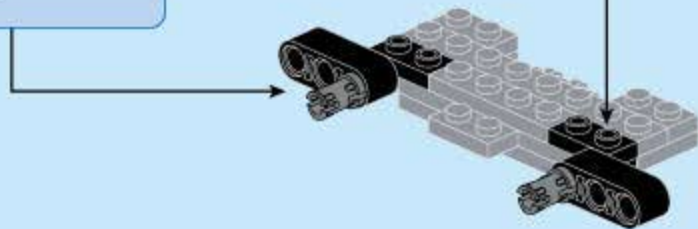
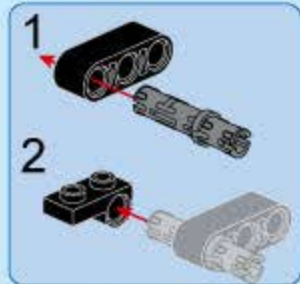
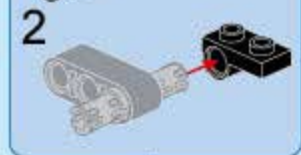
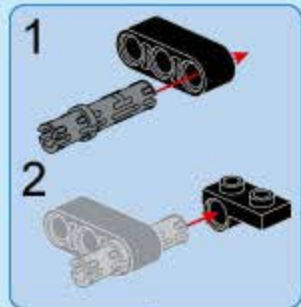
1x



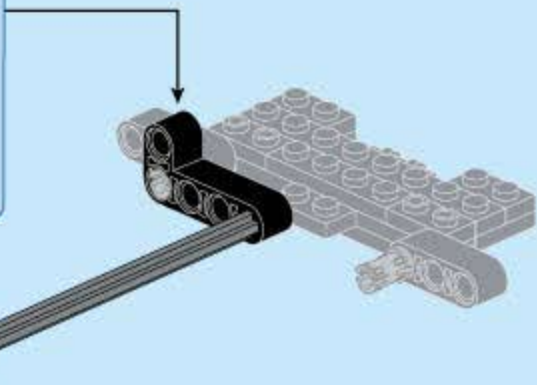
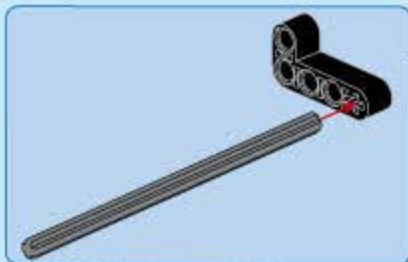
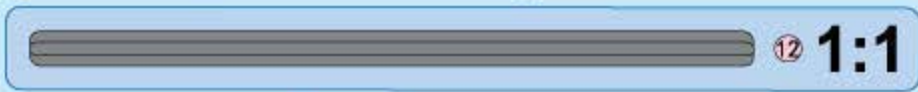
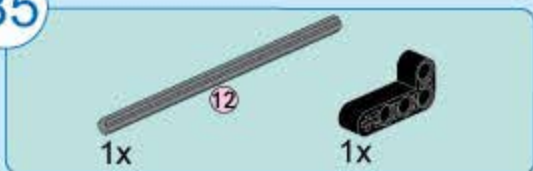
2x



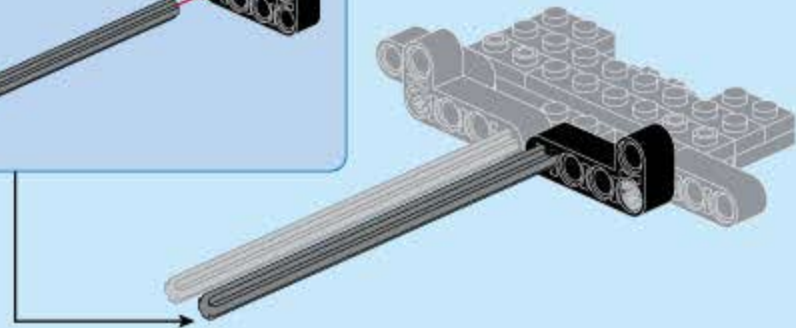
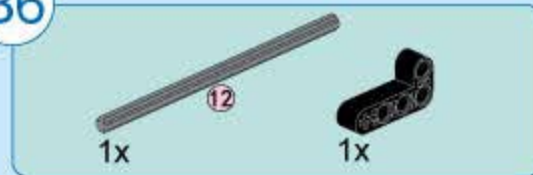
B4



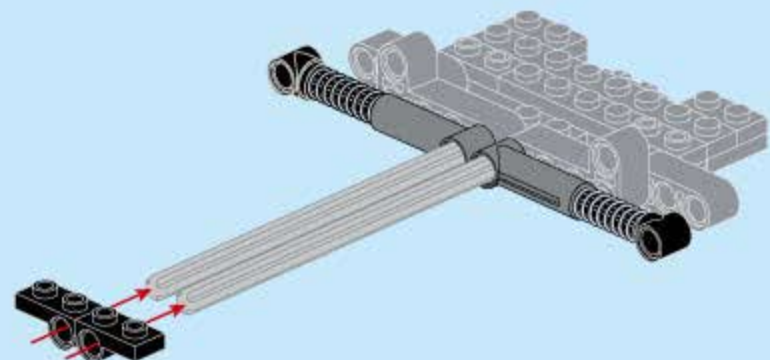
B5



B6

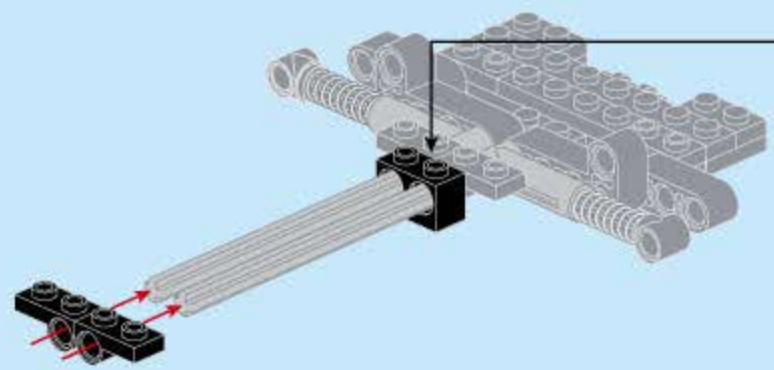


B7



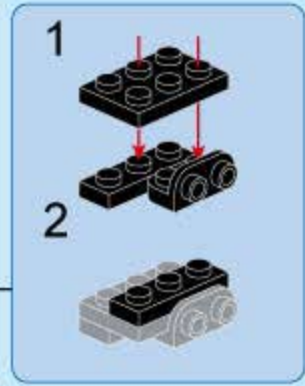
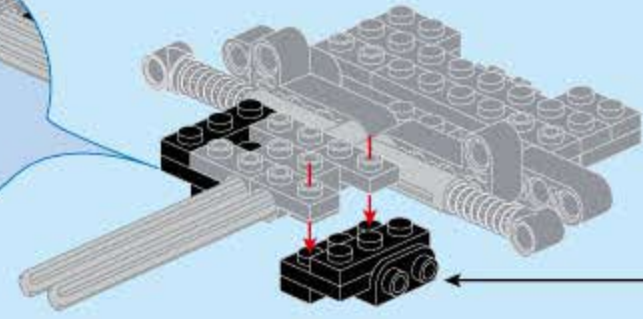
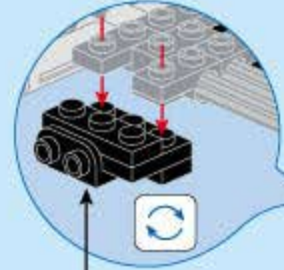
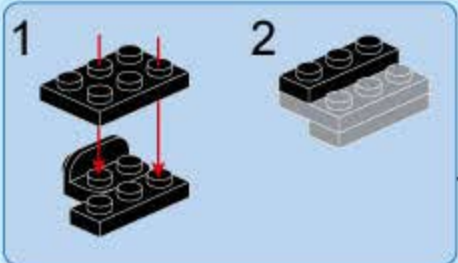
B8

- 1x 
- 2x 



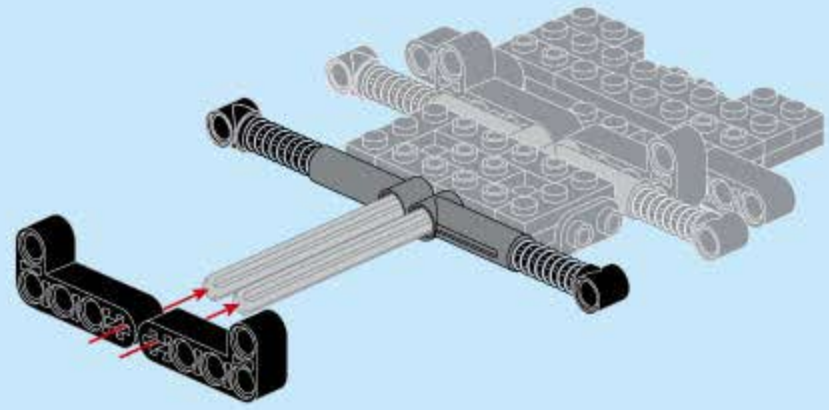
B9

- 2x 
- 4x 
- 2x 



B10

- 2x 
- 2x 



B11



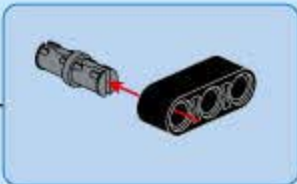
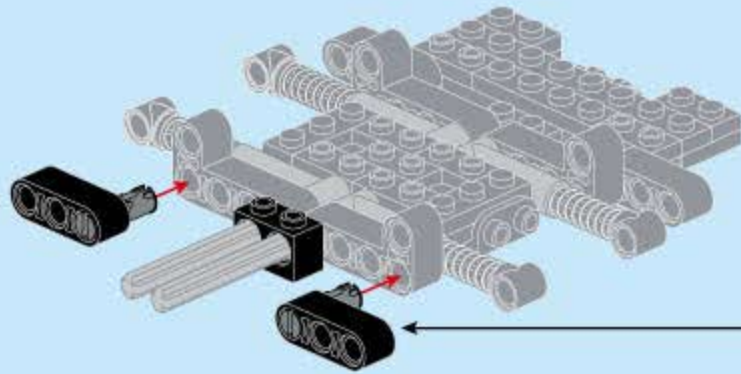
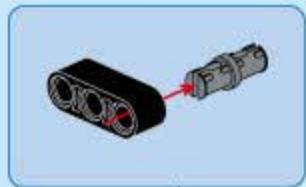
2x



1x



2x



B12



6x



2x



2x



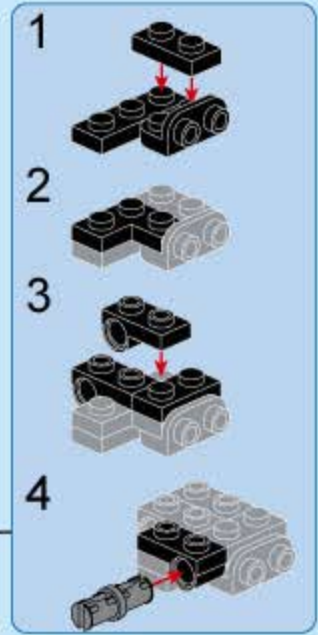
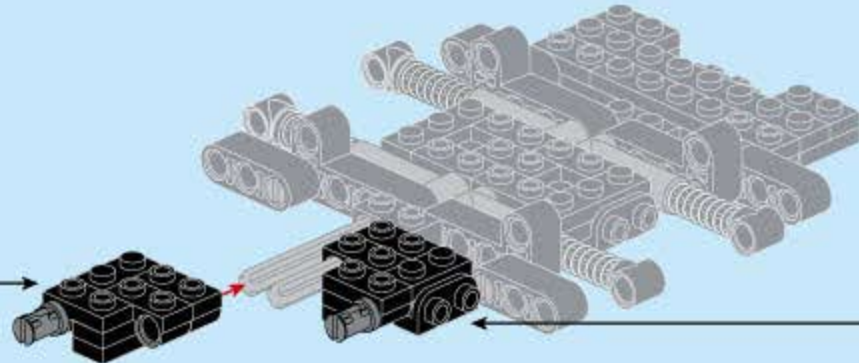
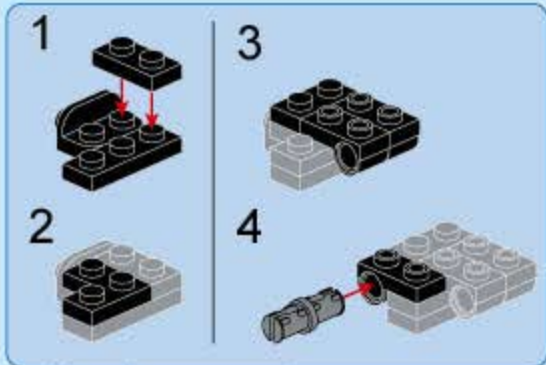
2x



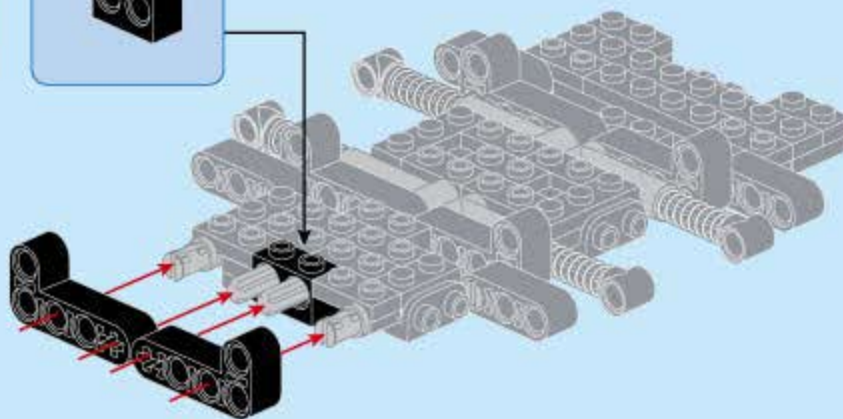
4x



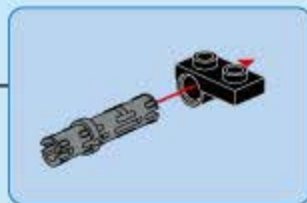
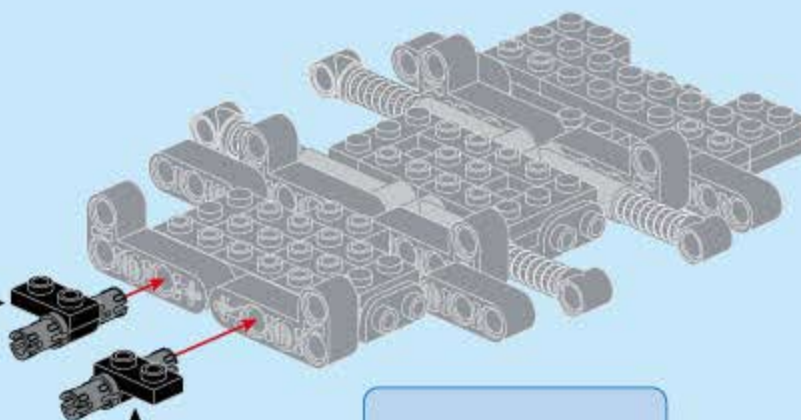
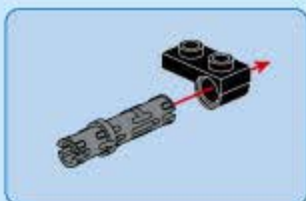
2x



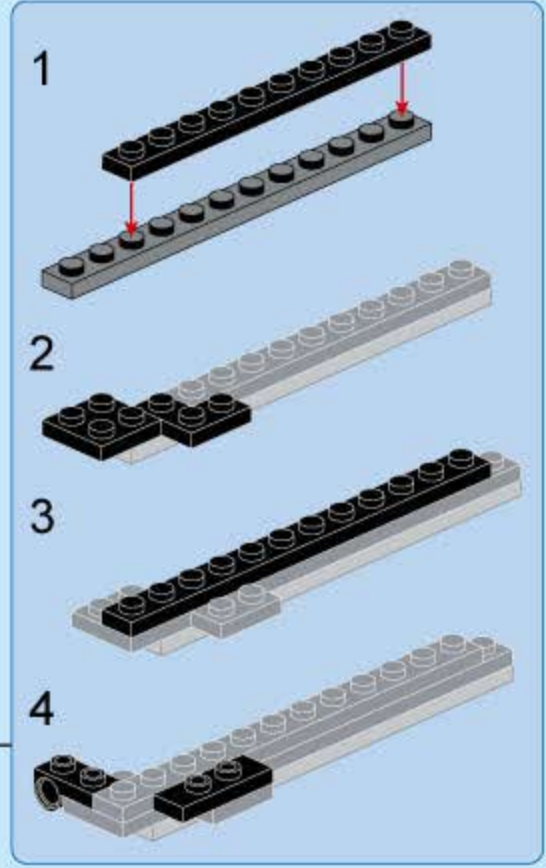
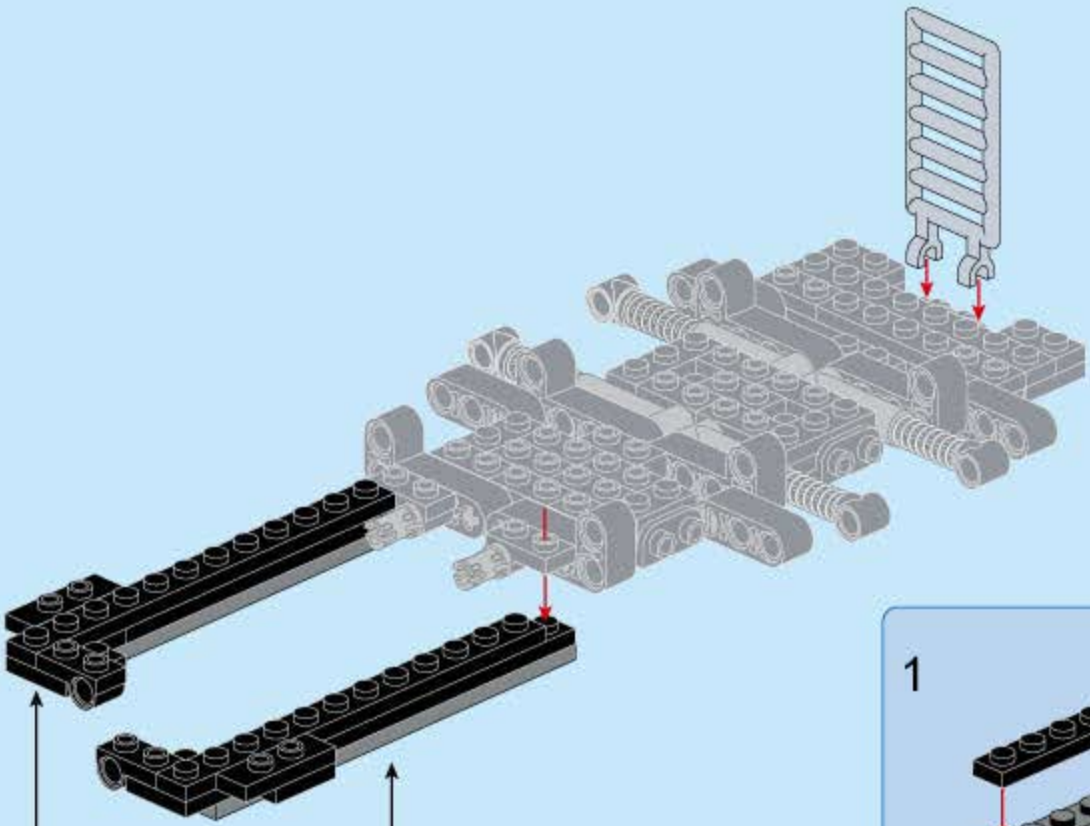
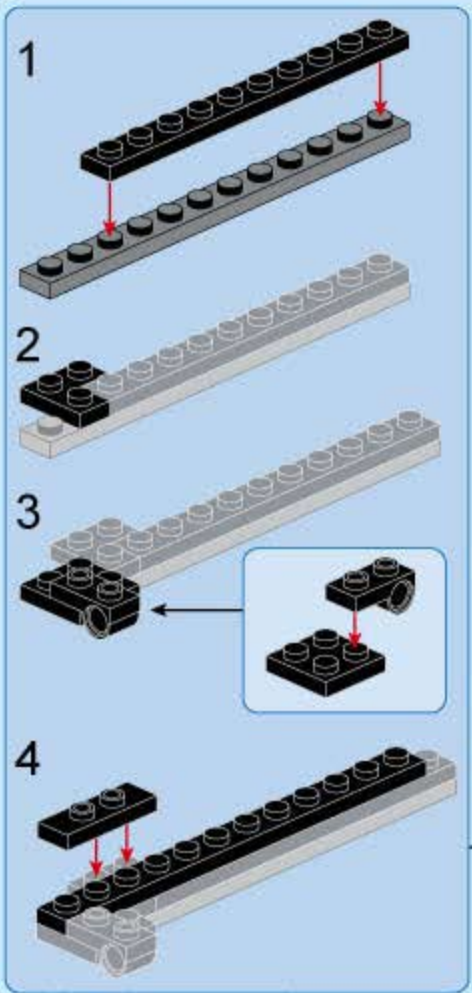
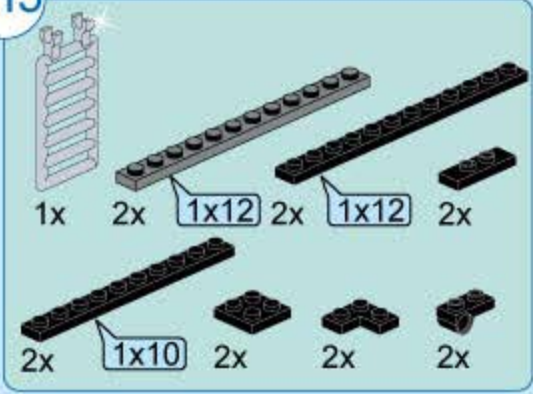
B13



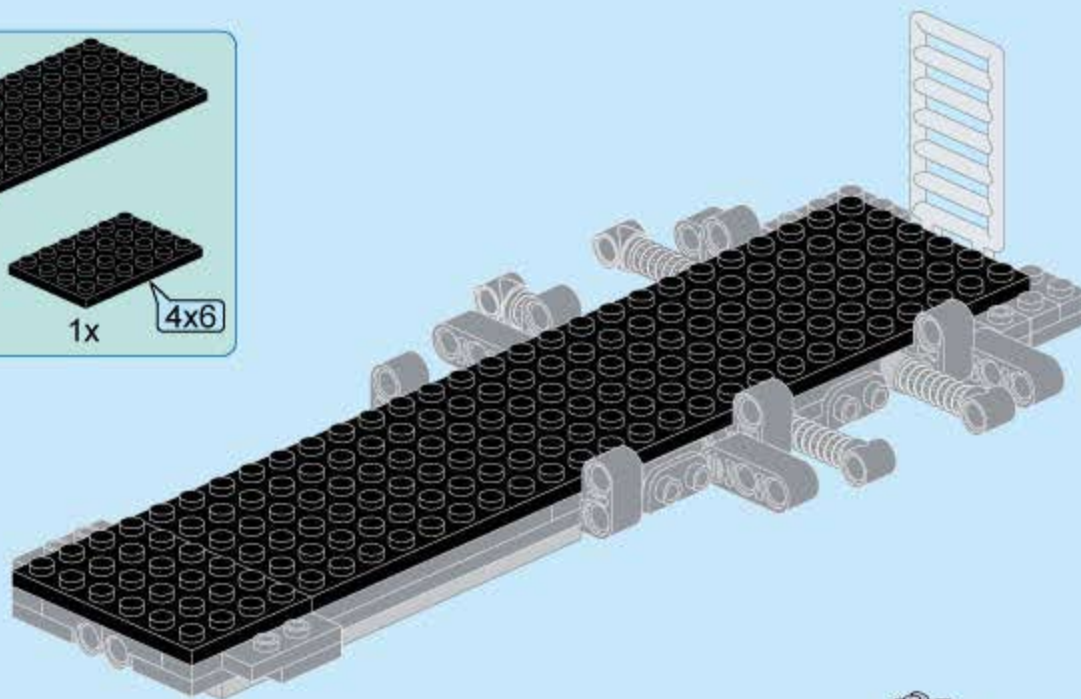
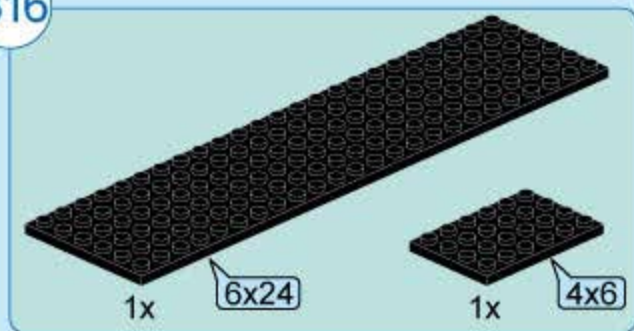
B14



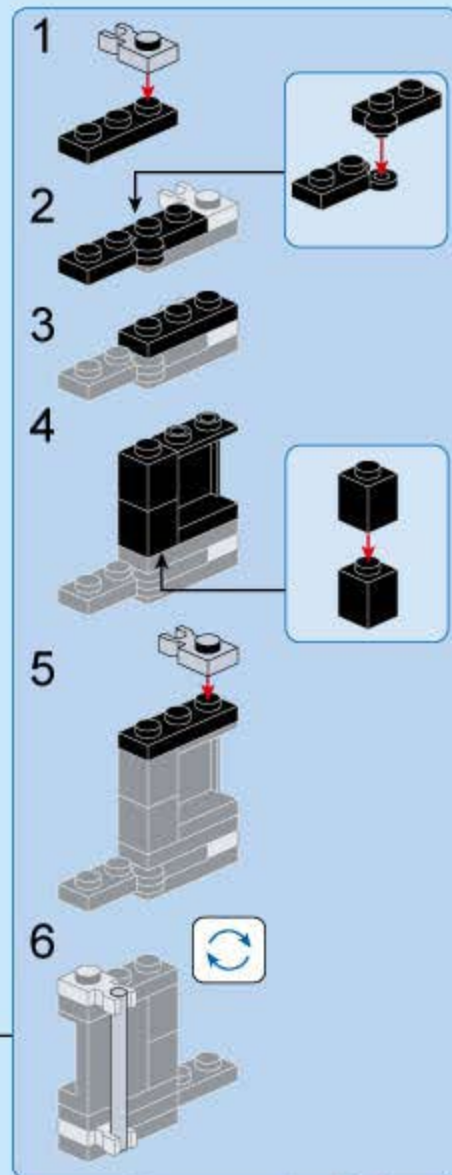
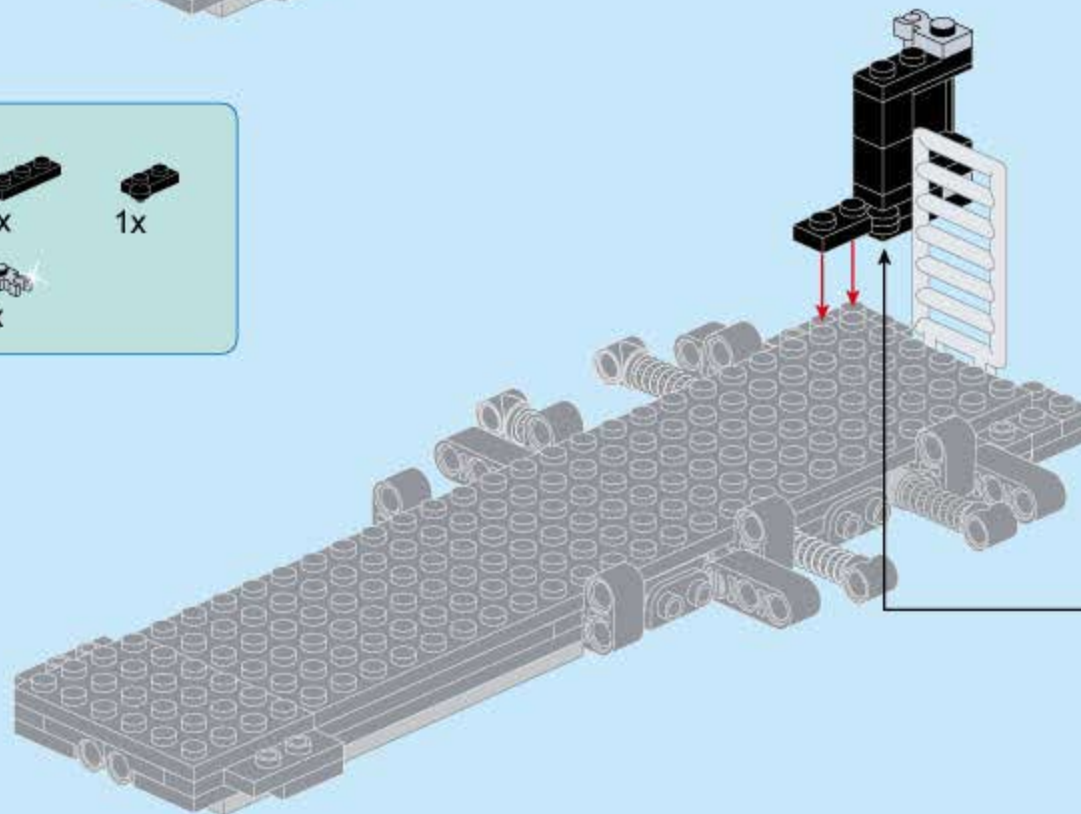
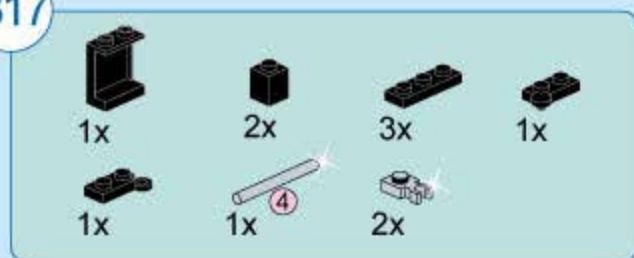
B15



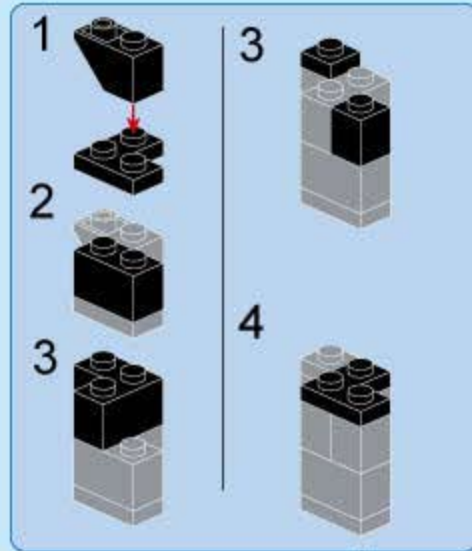
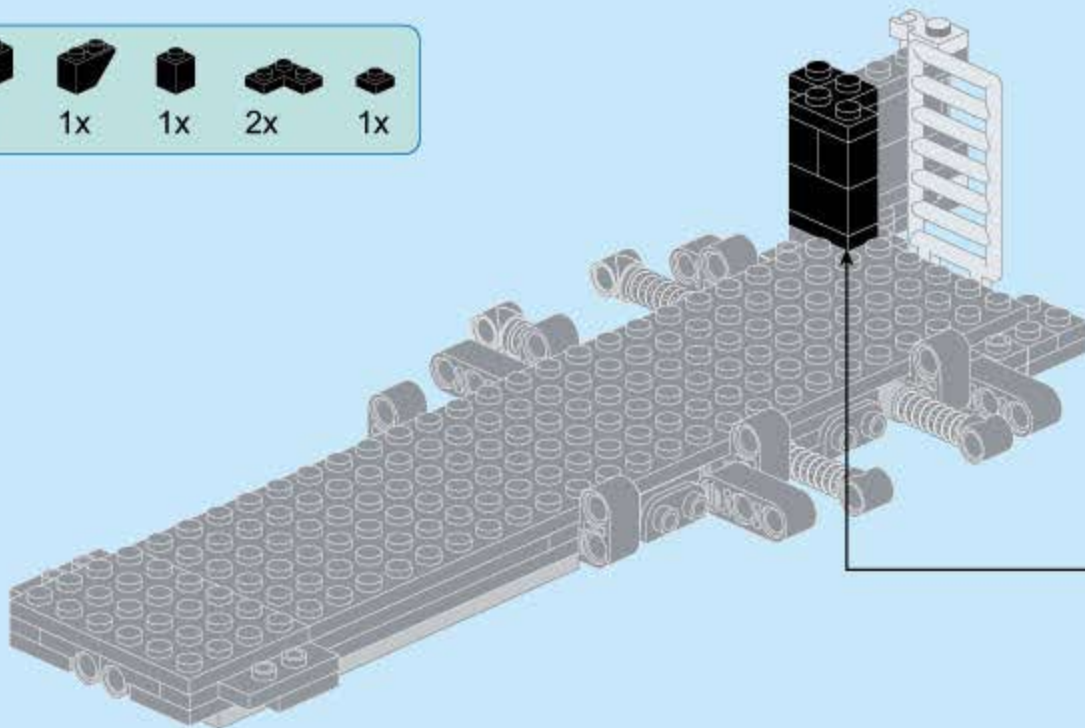
B16



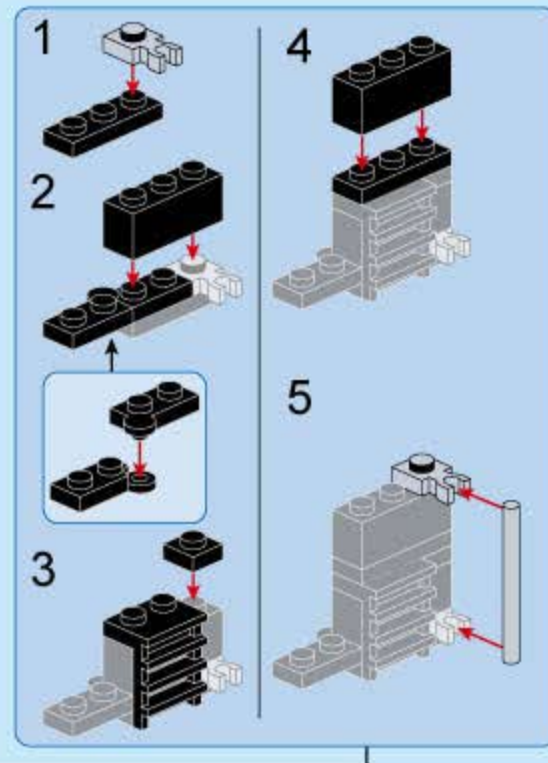
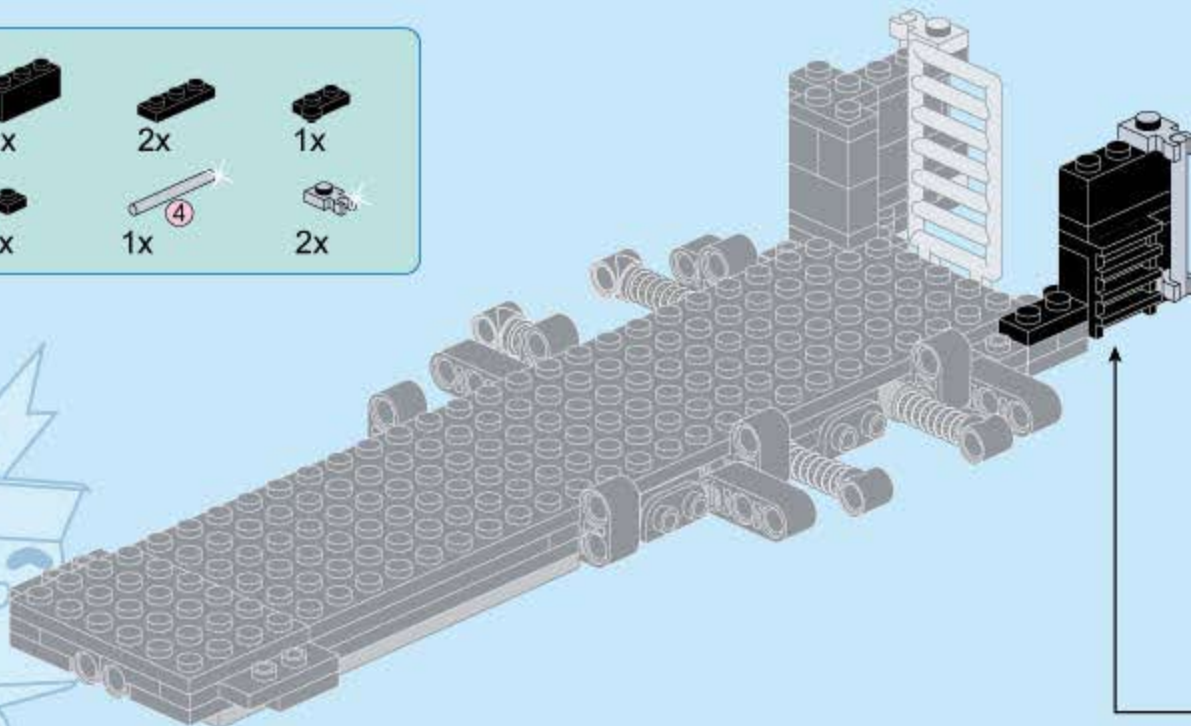
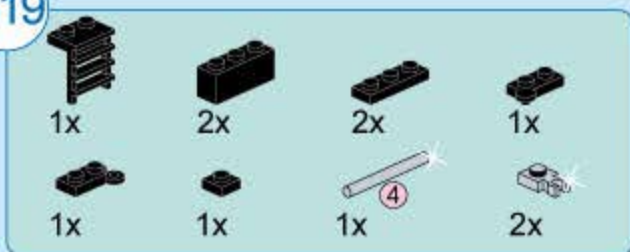
B17



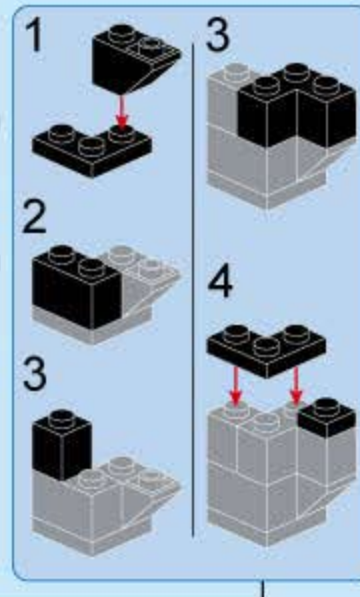
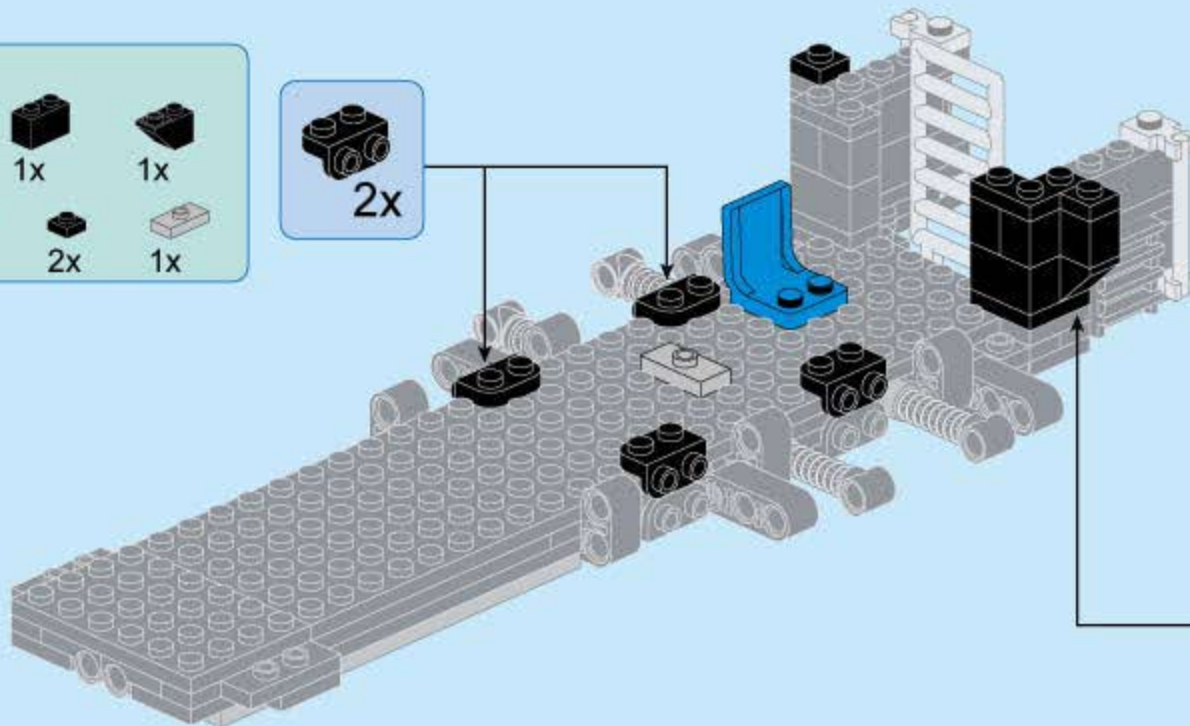
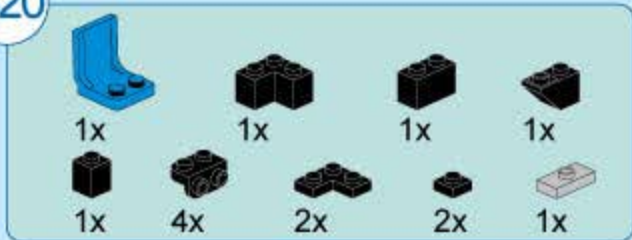
B18



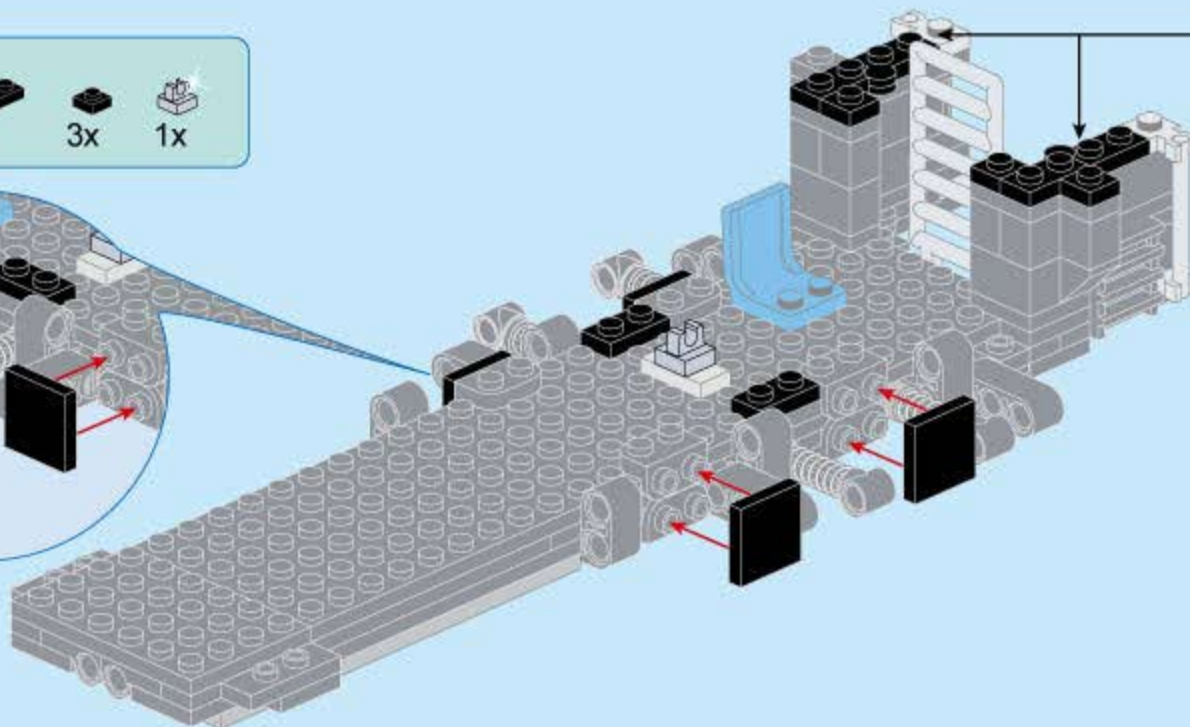
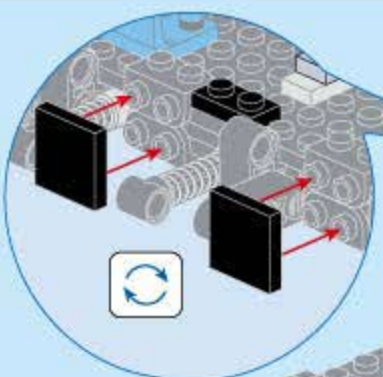
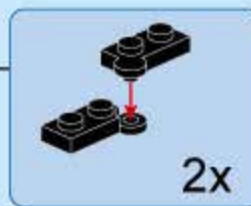
B19



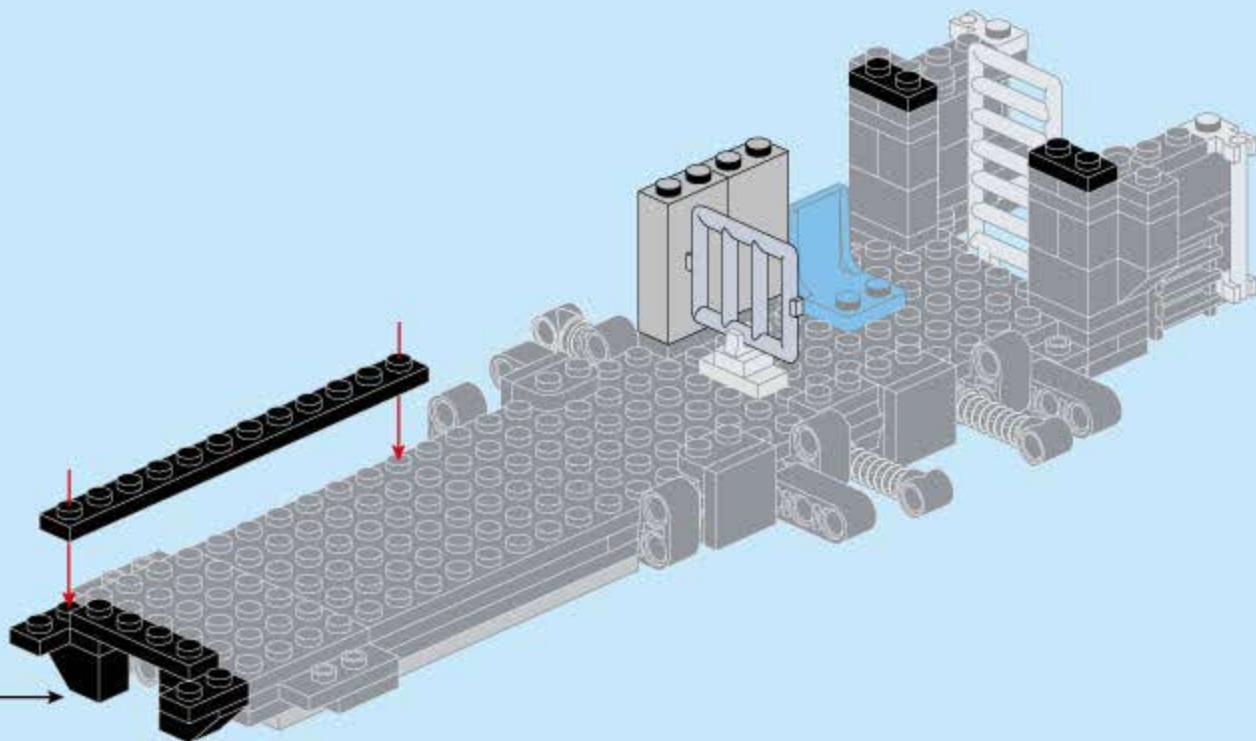
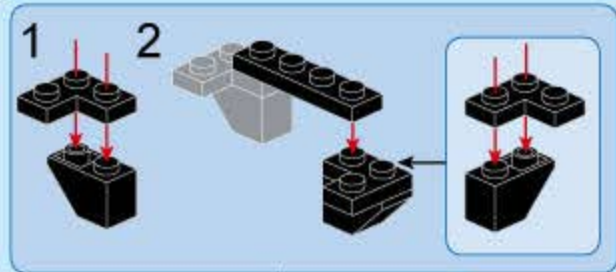
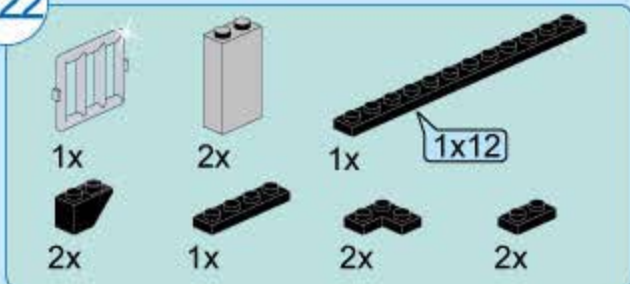
B20



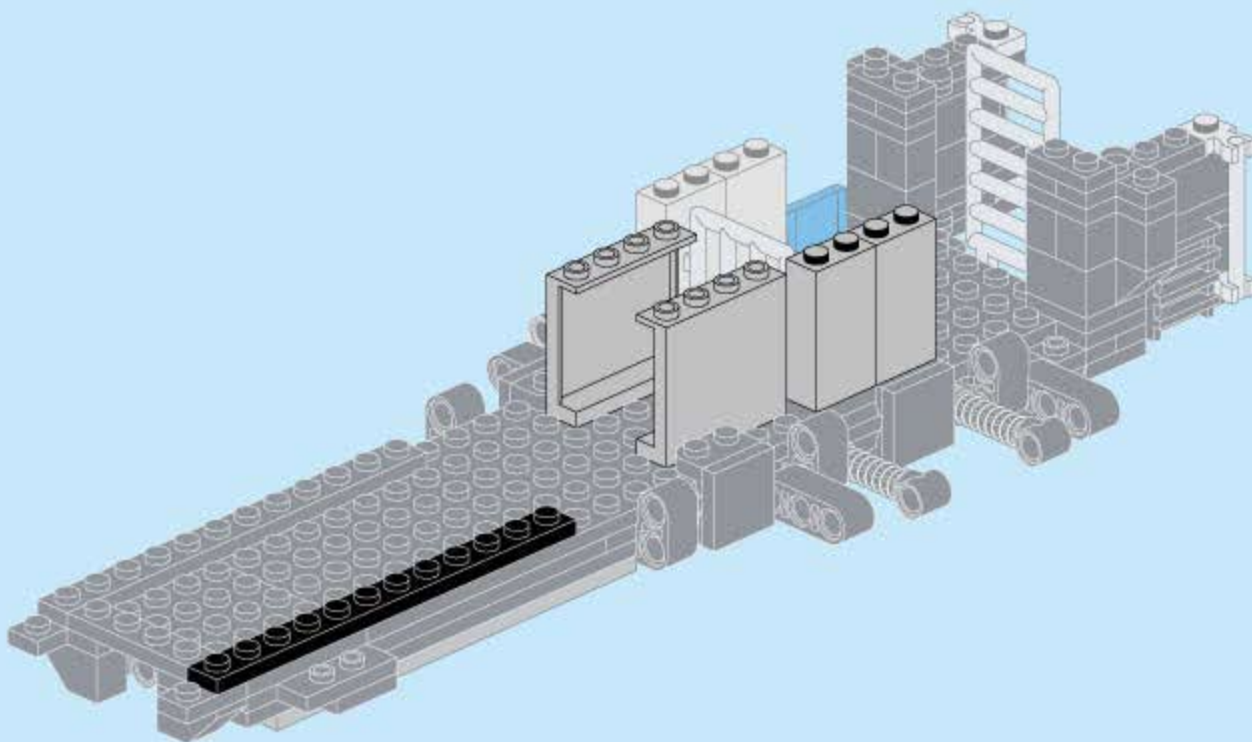
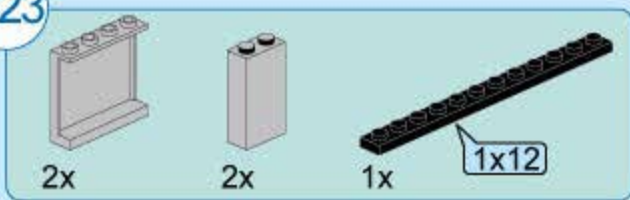
B21

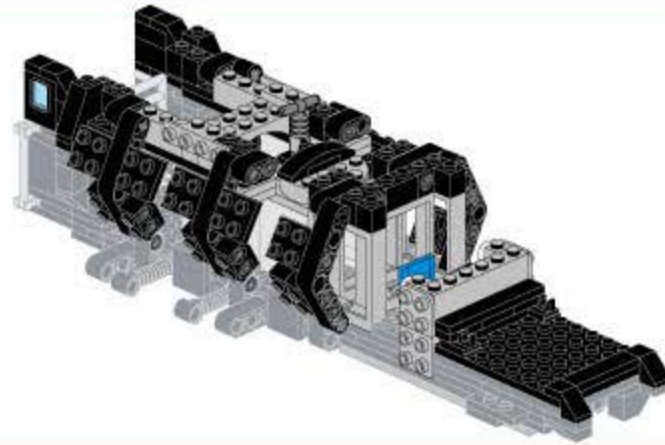


B22



B23





B24



1x



1x



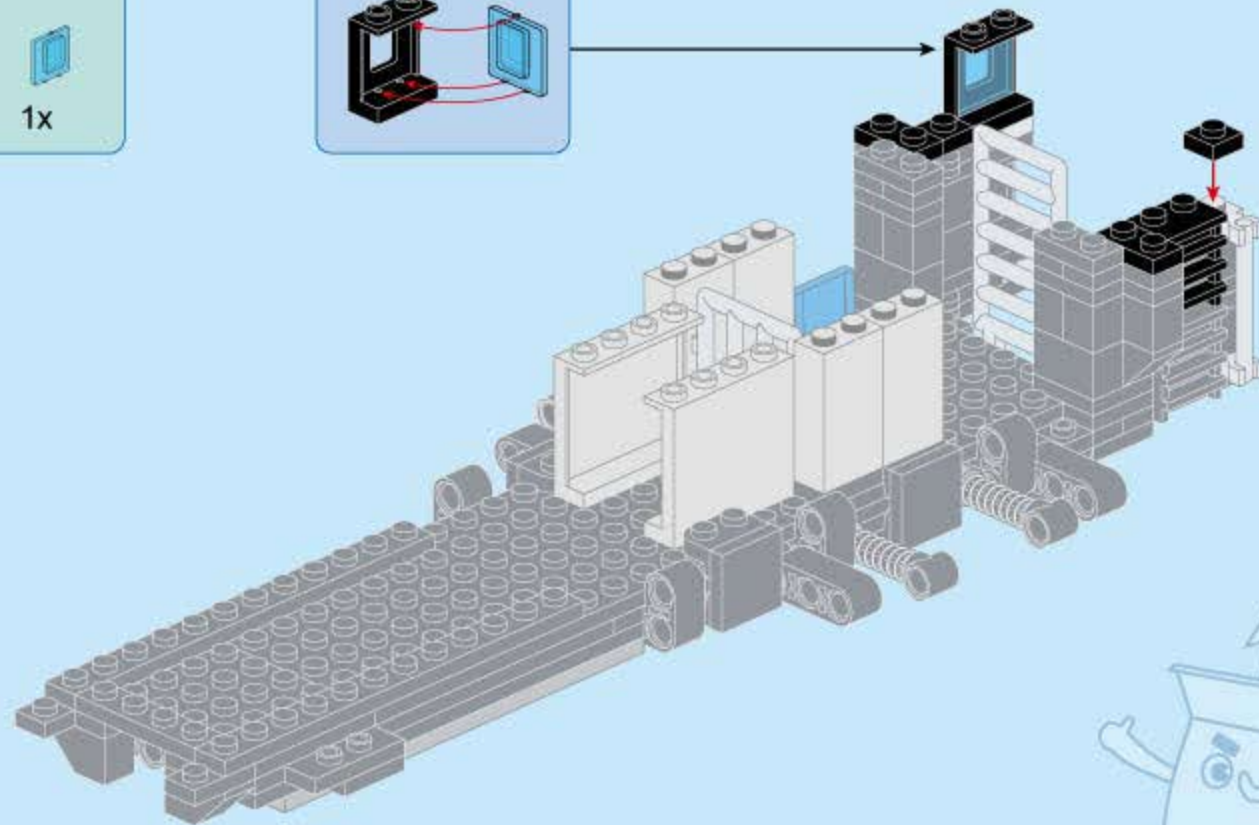
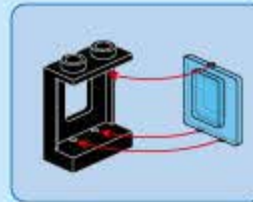
2x



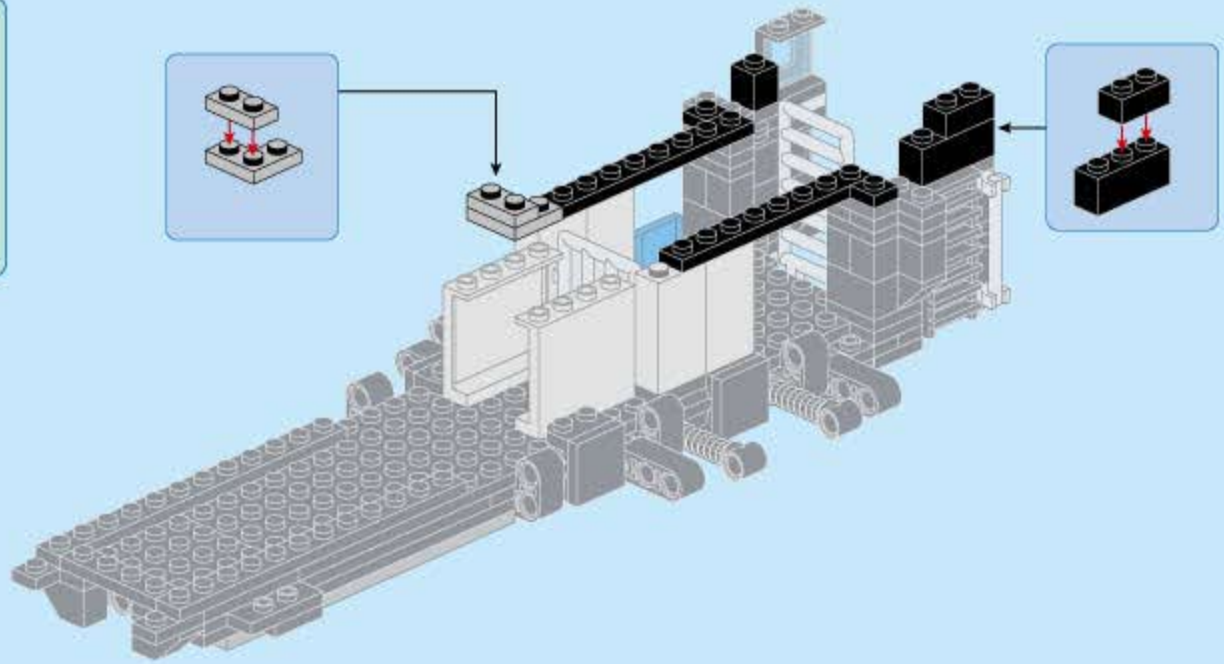
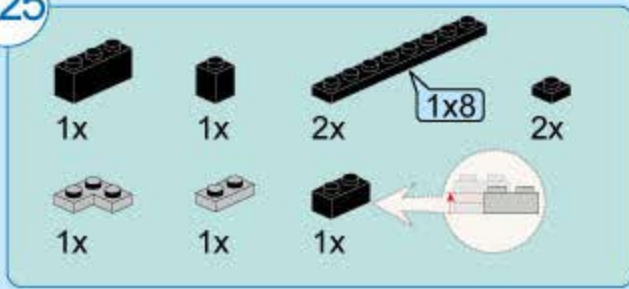
2x



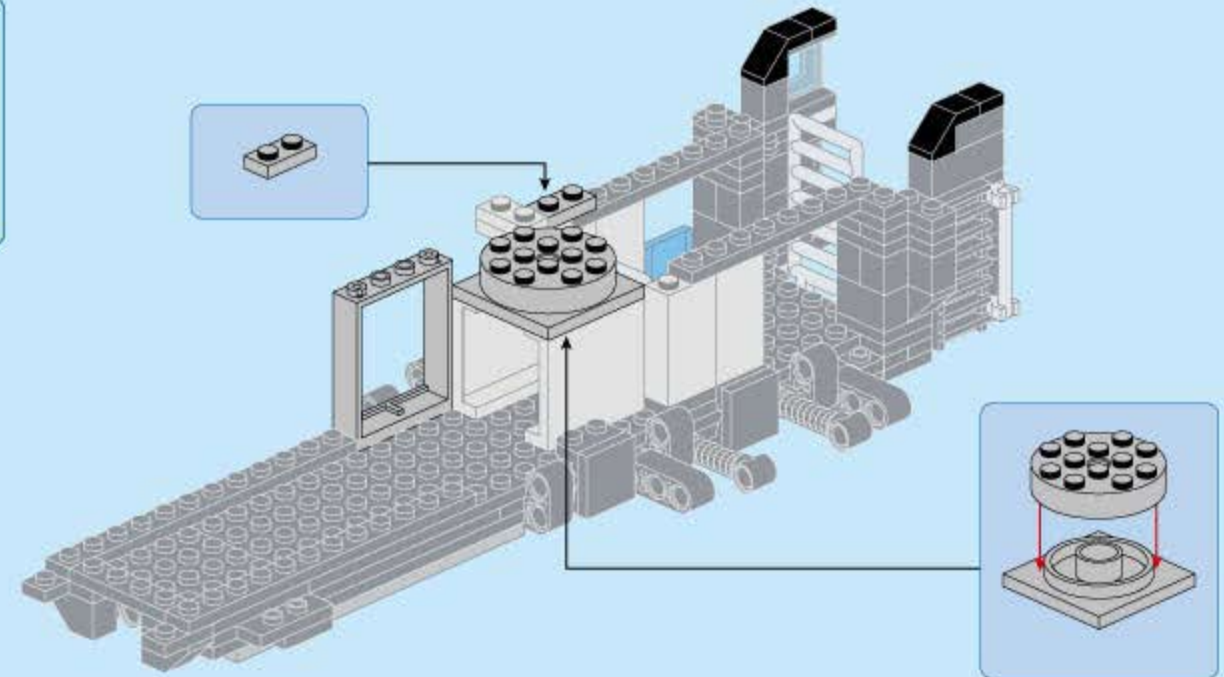
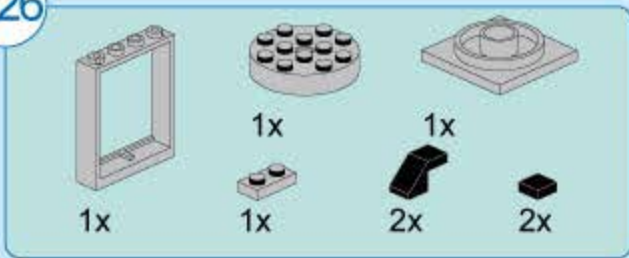
1x



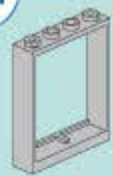
B25



B26



B27



2x



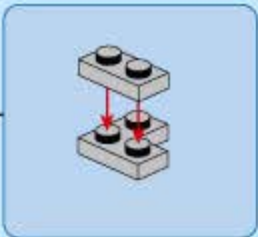
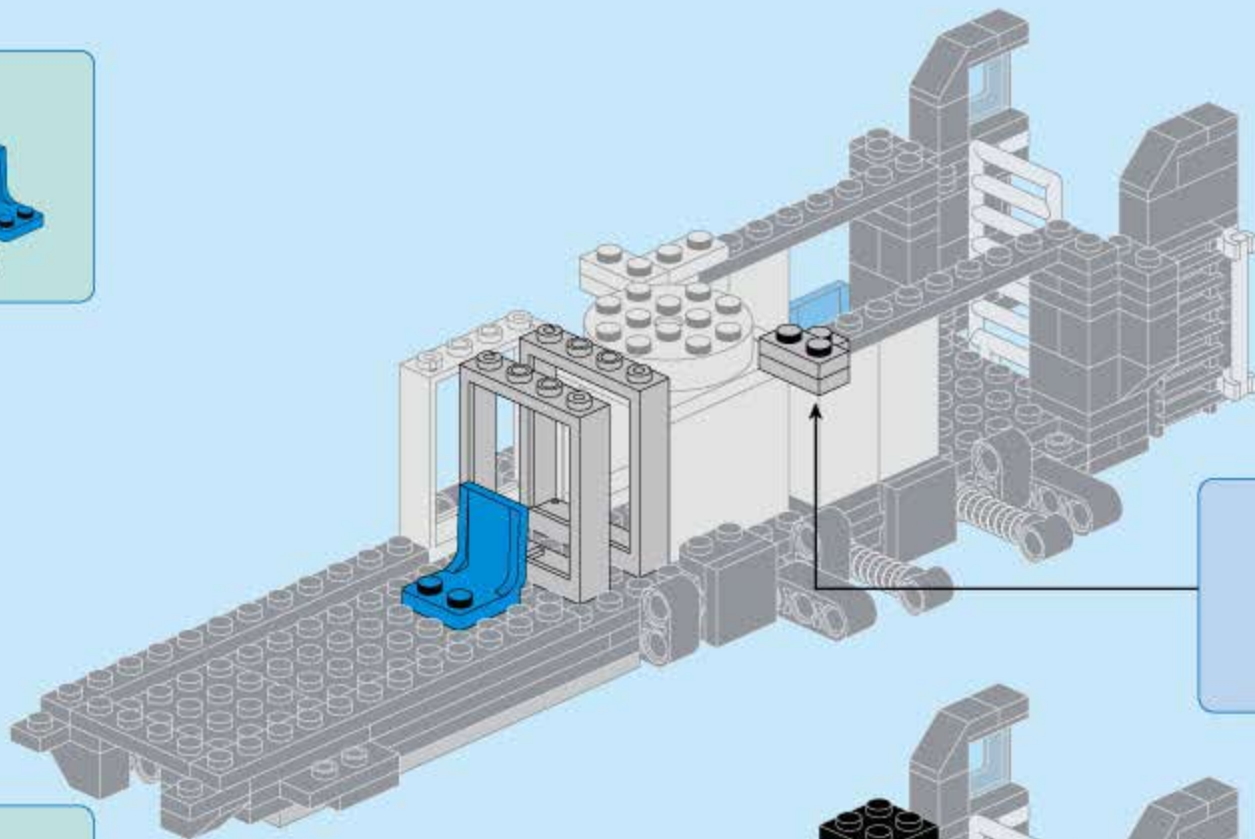
1x



1x



1x



B28

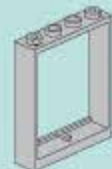


1x

6x10



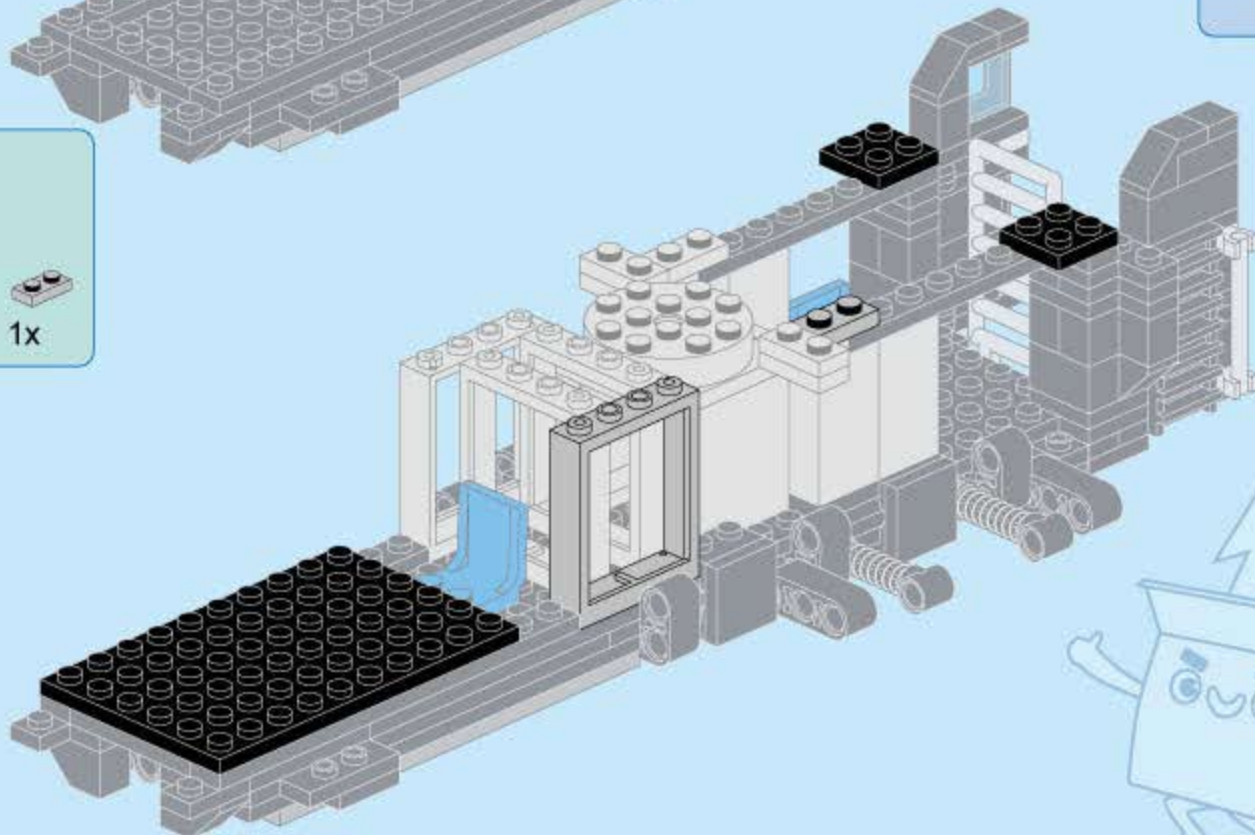
2x



1x



1x



B29



2x



2x



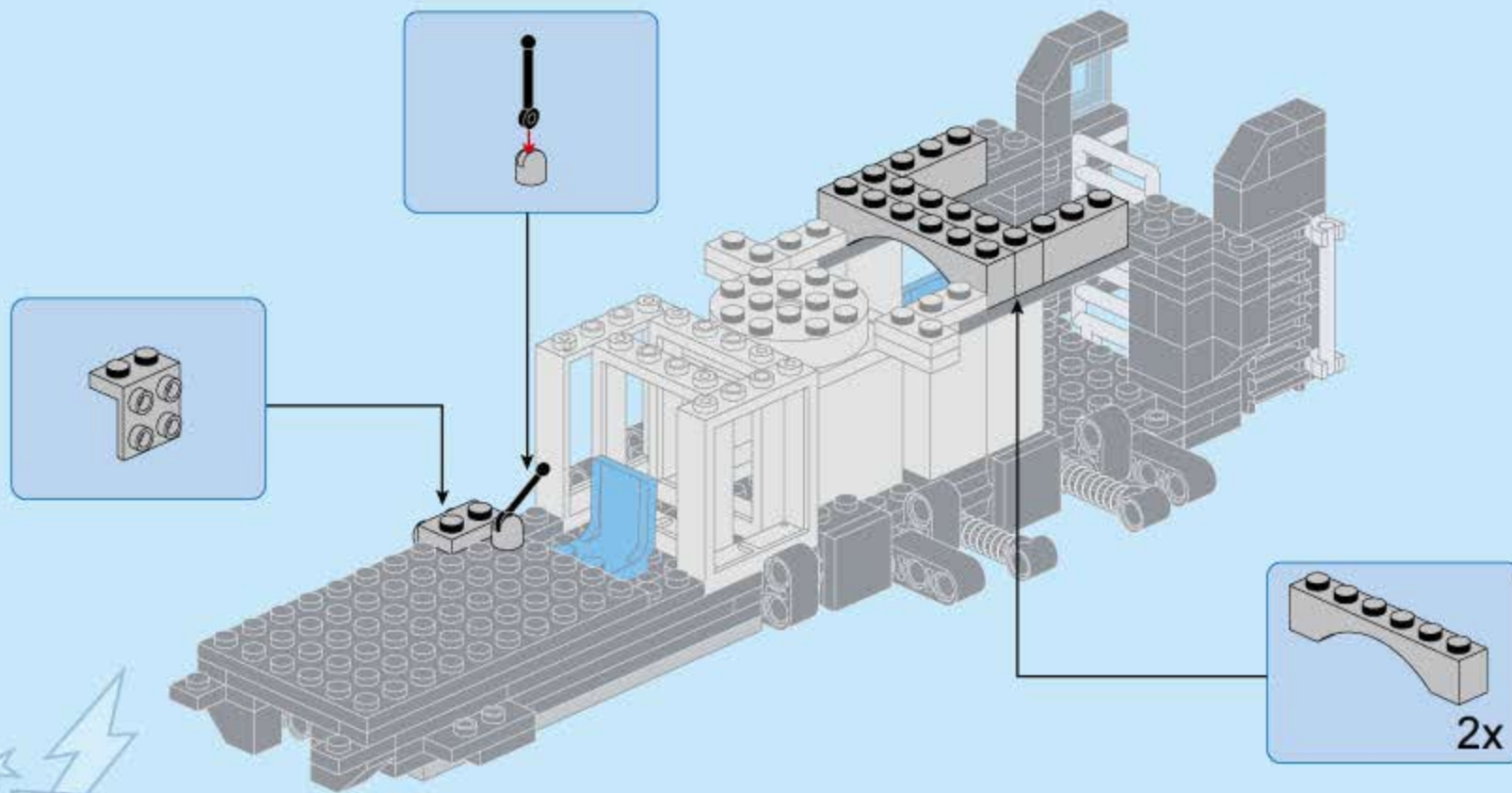
1x



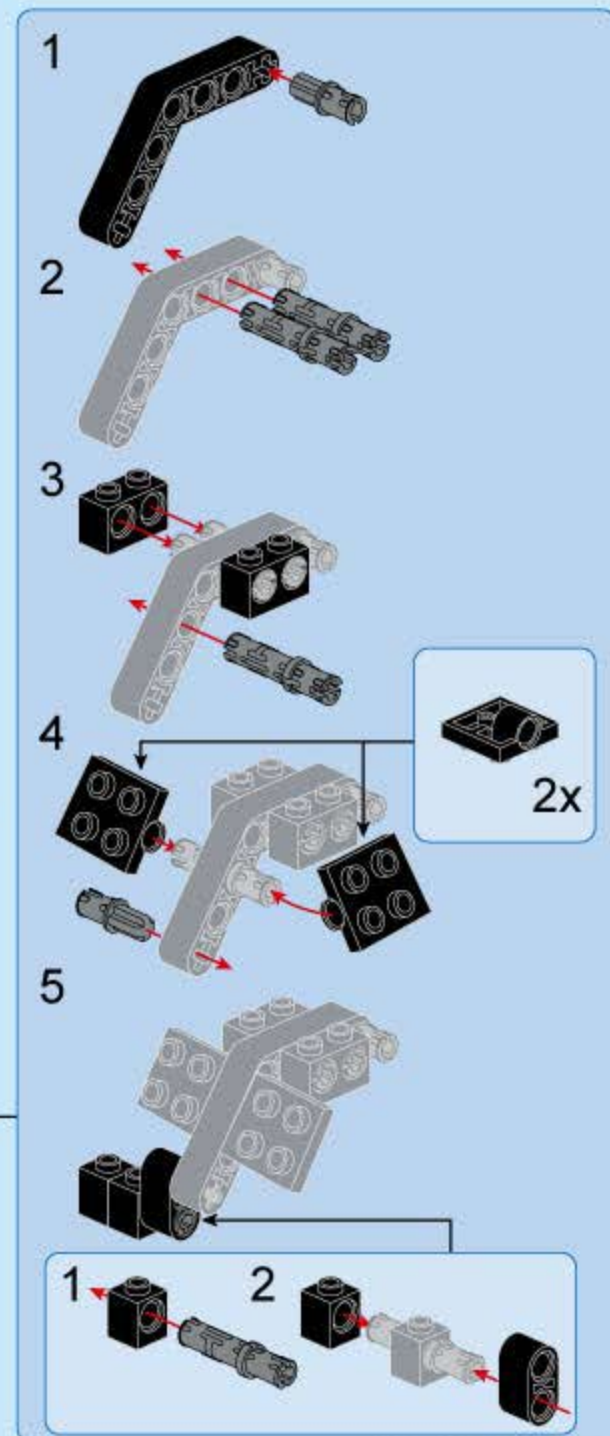
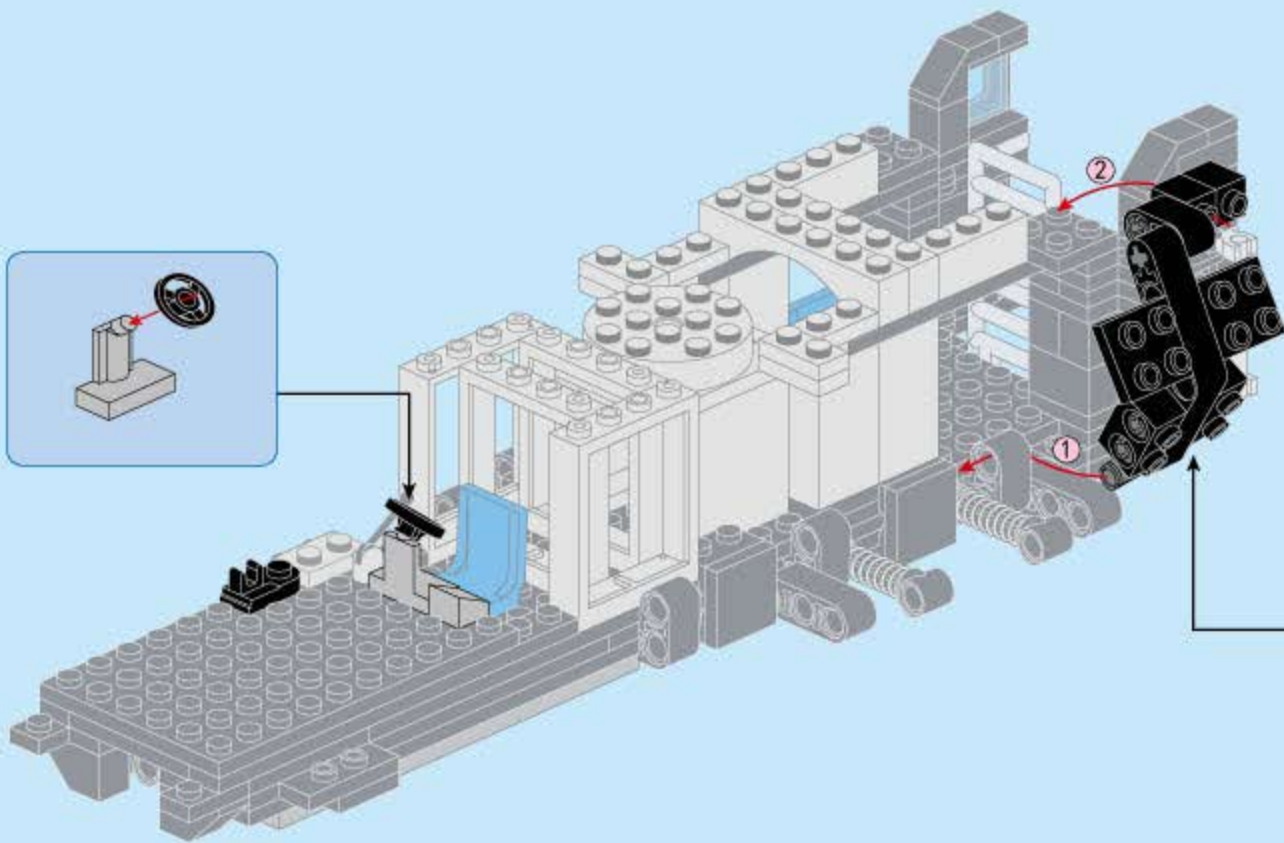
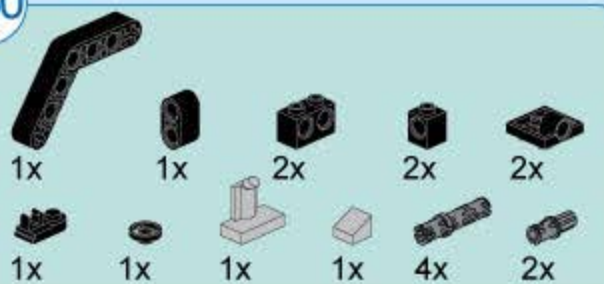
1x



1x

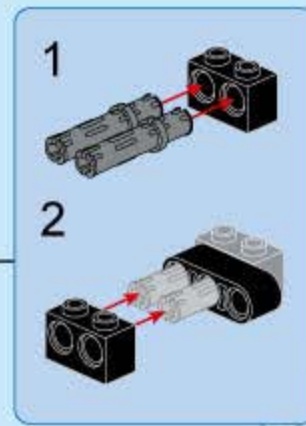
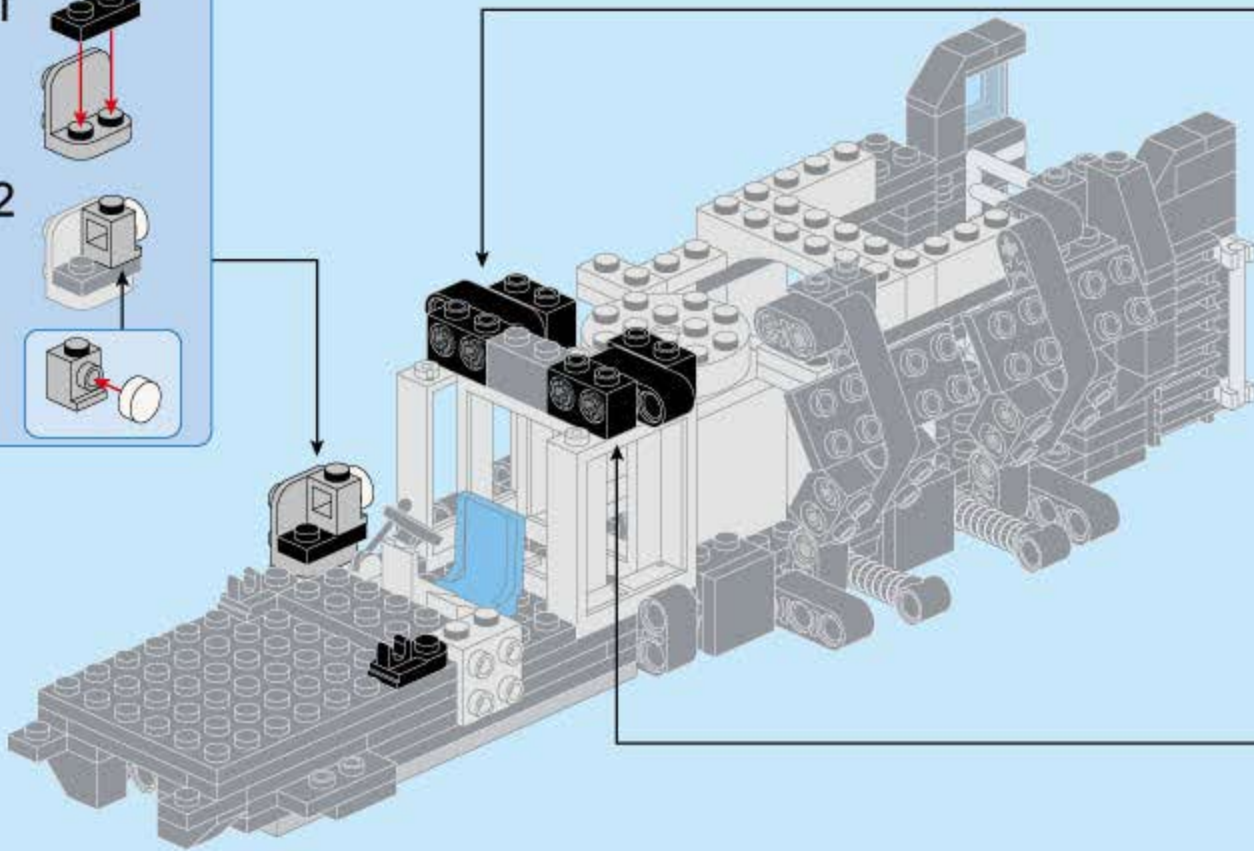
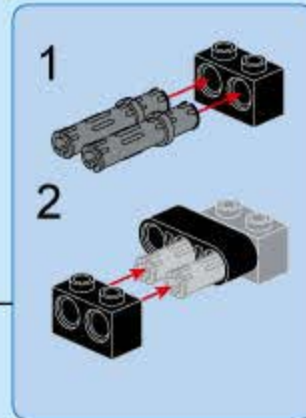
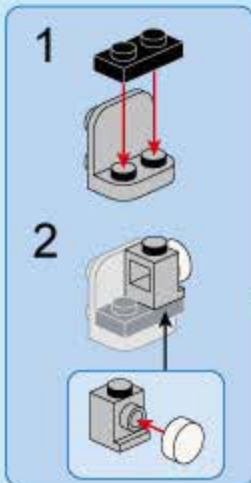


B30



B32

- | | | | |
|----|----|----|----|
| | | | |
| 2x | 4x | 1x | 1x |
| | | | |
| 1x | 1x | 4x | 1x |



B33



1x



1x



1x



2x



1x



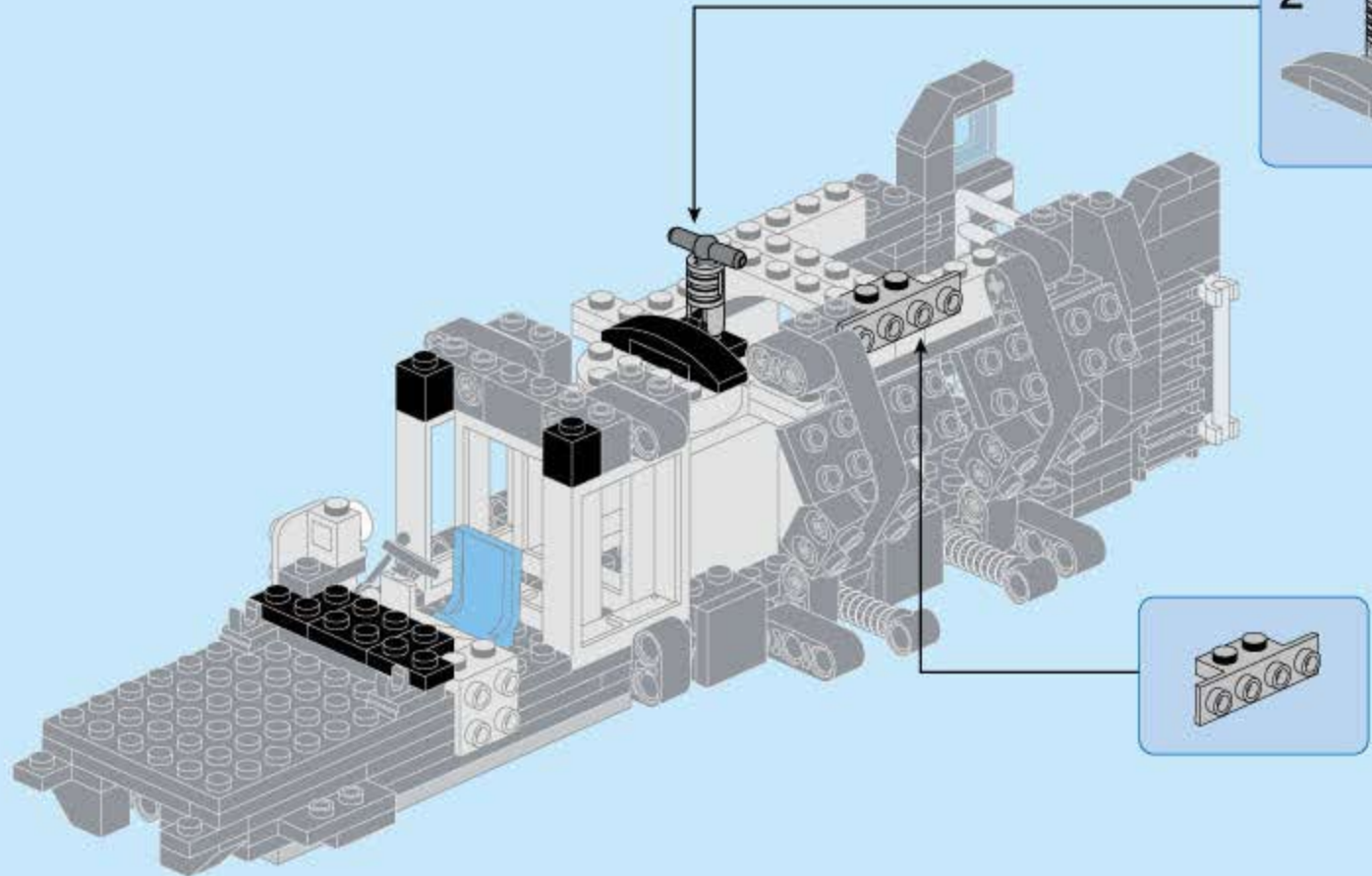
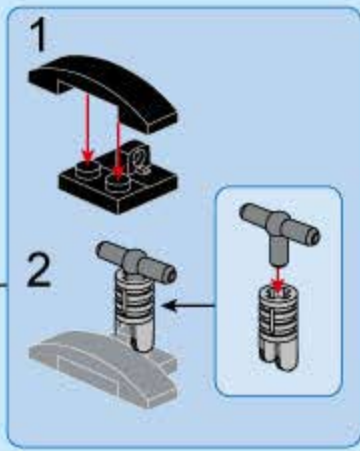
1x



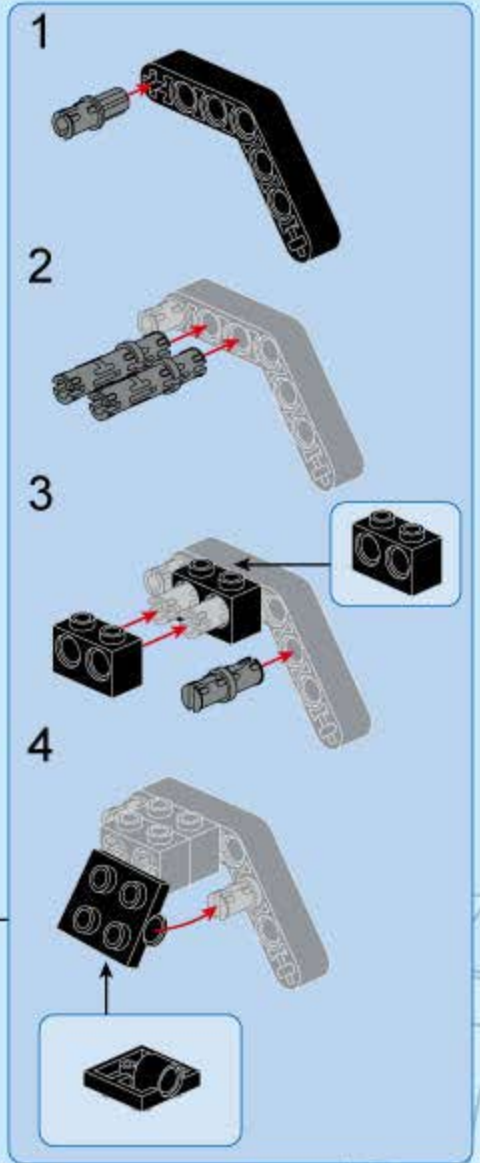
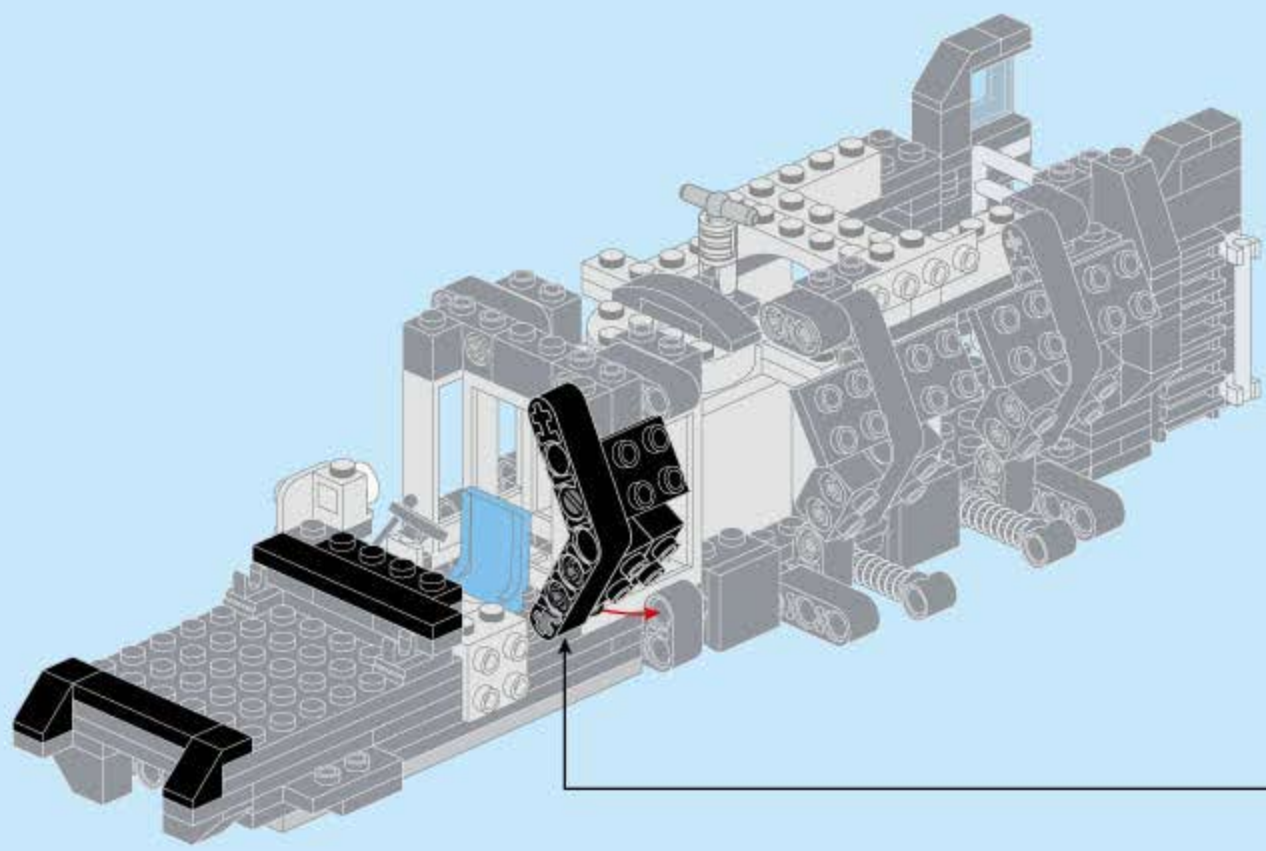
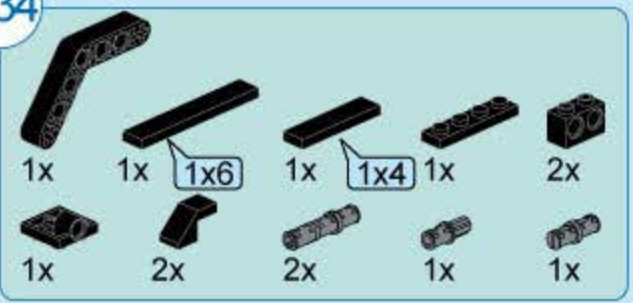
1x



2x

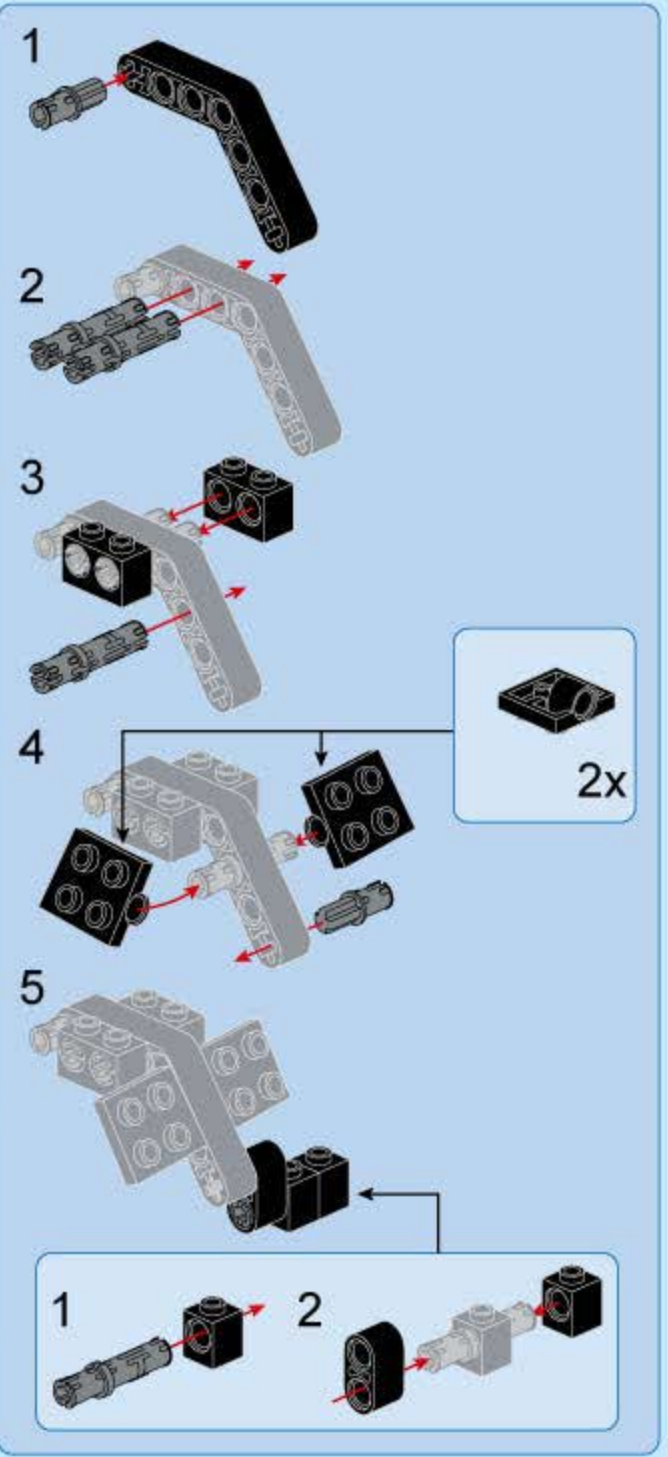
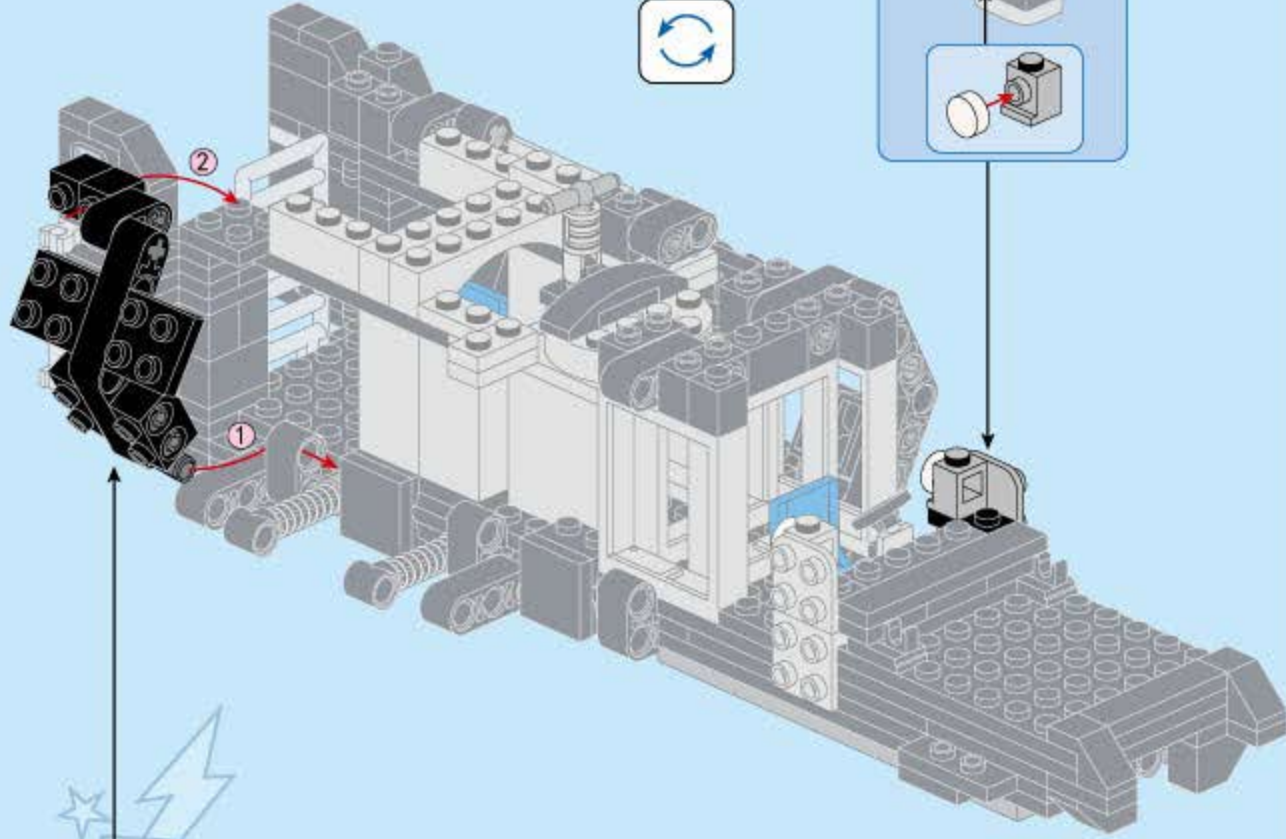
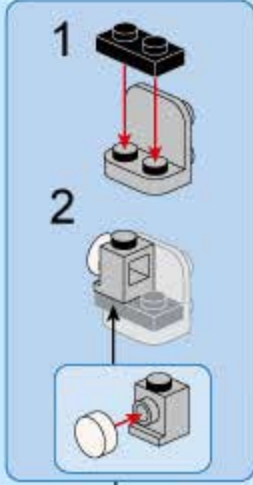


B34

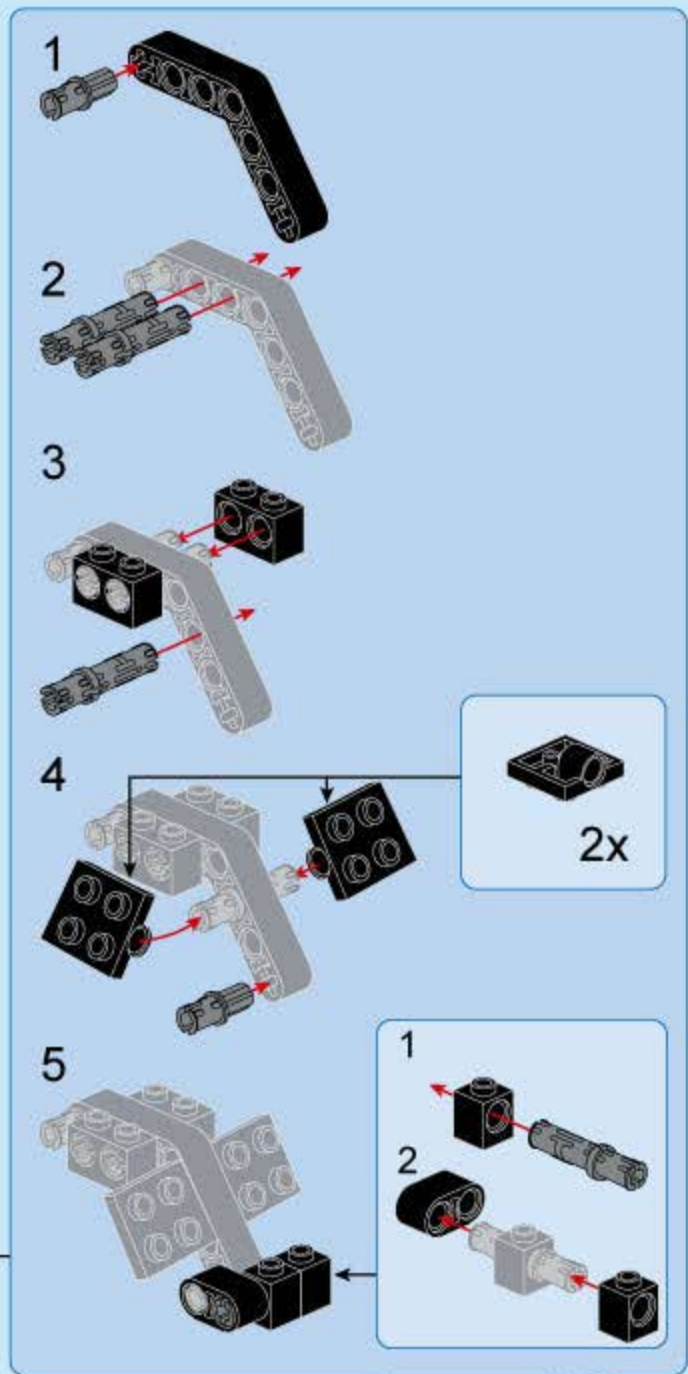
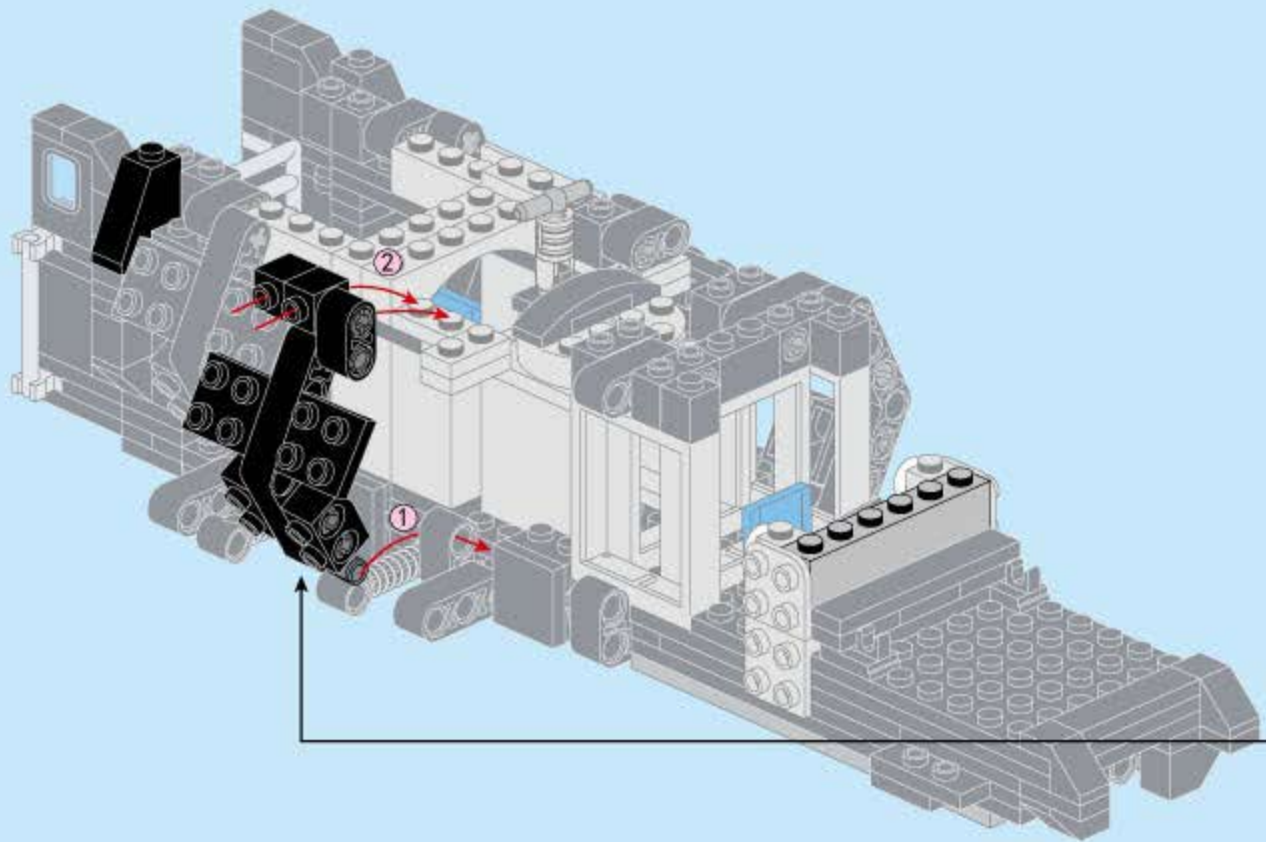
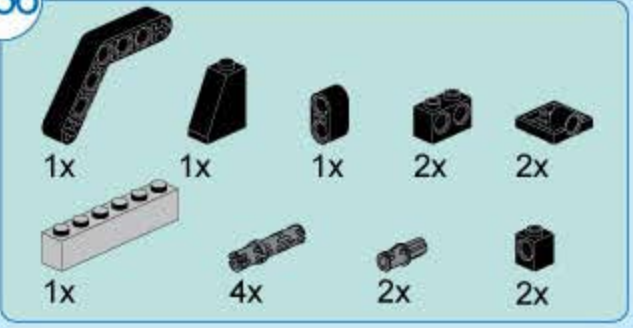


B35

- 1x [Black L-shaped Technic Beam 1x5 with 2 holes]
- 1x [Black Technic Pin]
- 2x [Black Technic Pin]
- 2x [Black Technic Pin]
- 2x [Black Technic Pin]
- 1x [Black Technic Pin]
- 1x [White Technic Pin]
- 1x [White Technic Pin]
- 4x [Black Technic Pin]
- 2x [Black Technic Pin]
- 1x [White Technic Pin]



B36



B37



1x



2x



1x



1x



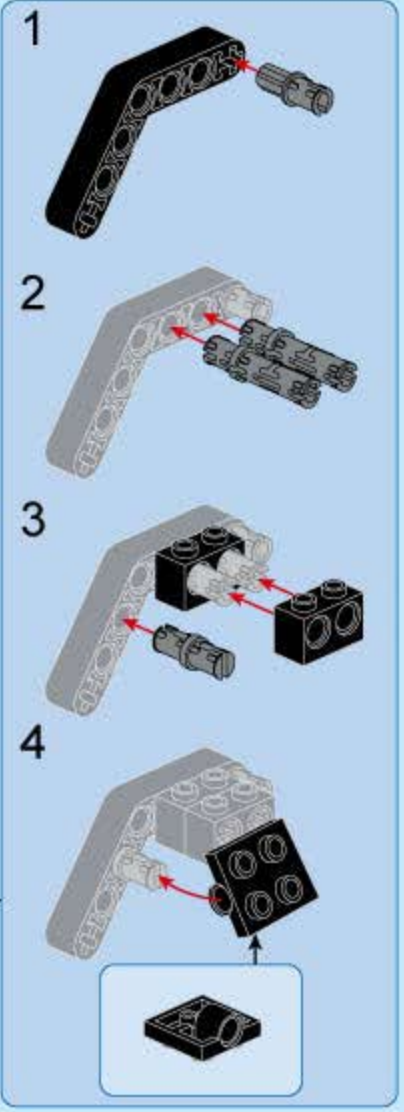
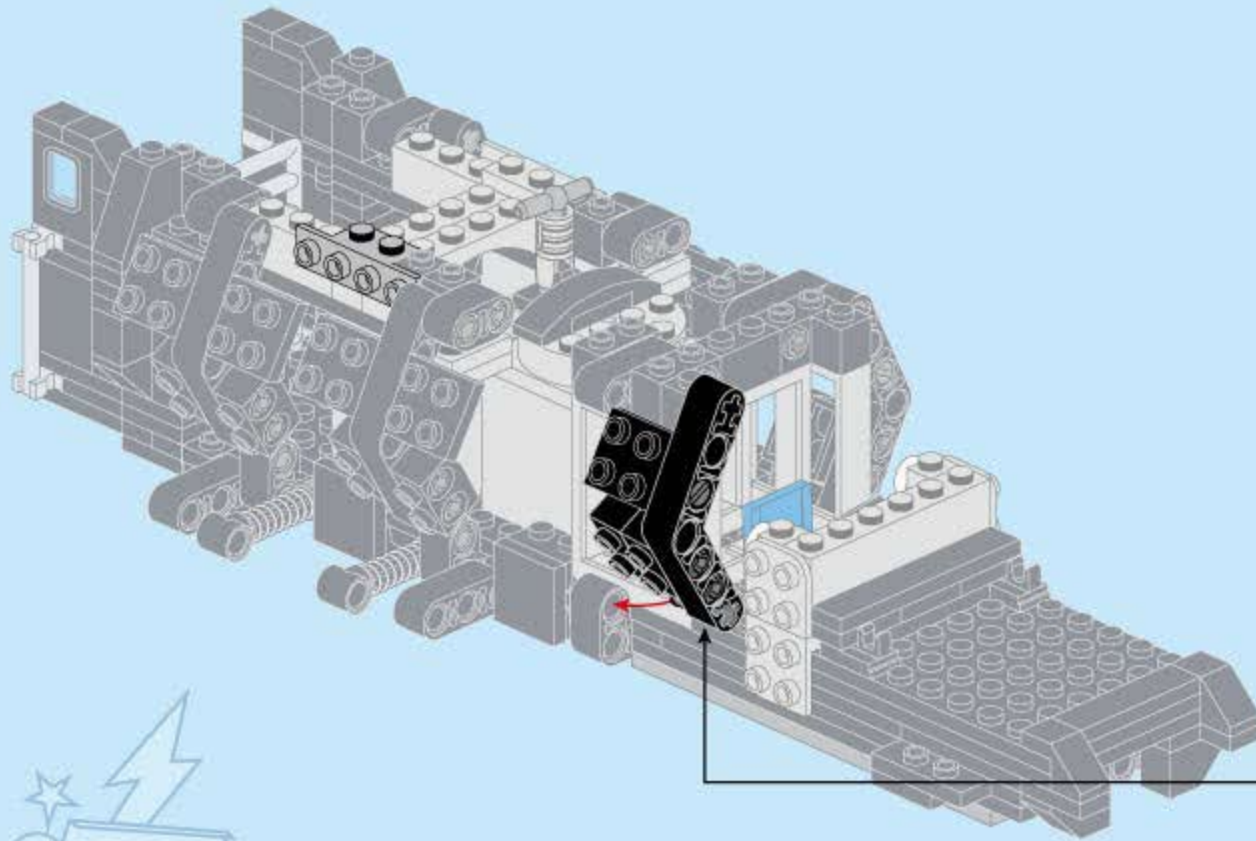
2x

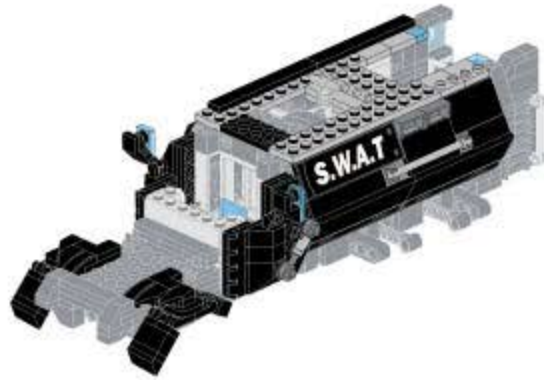


1x

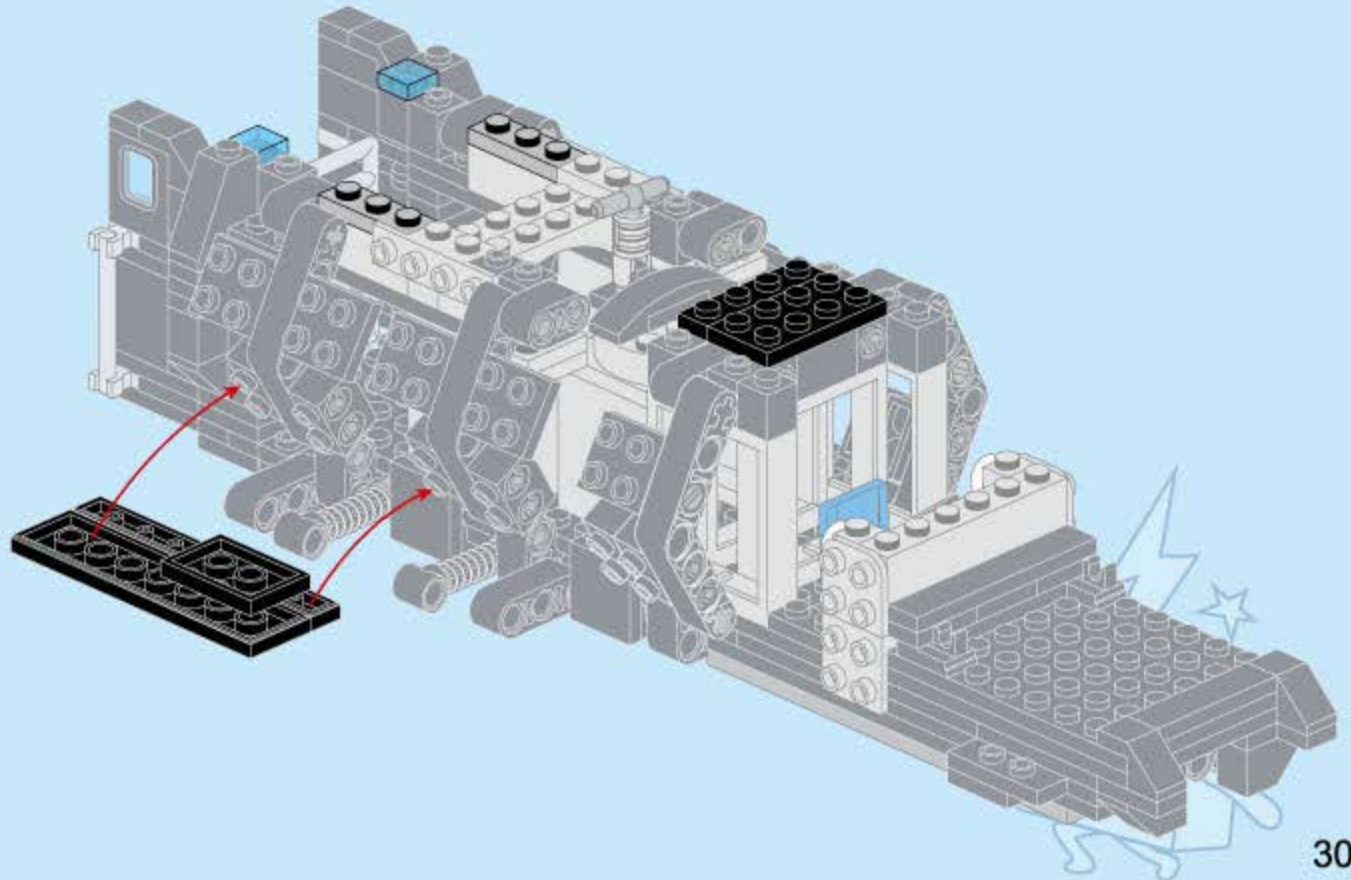
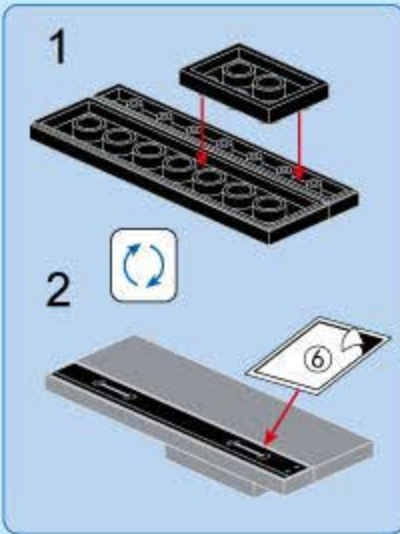
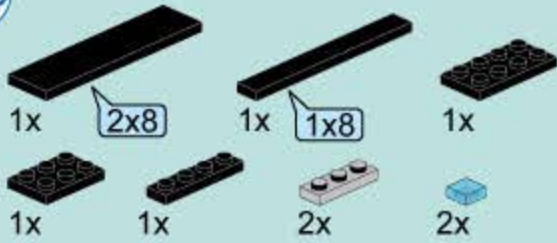


1x

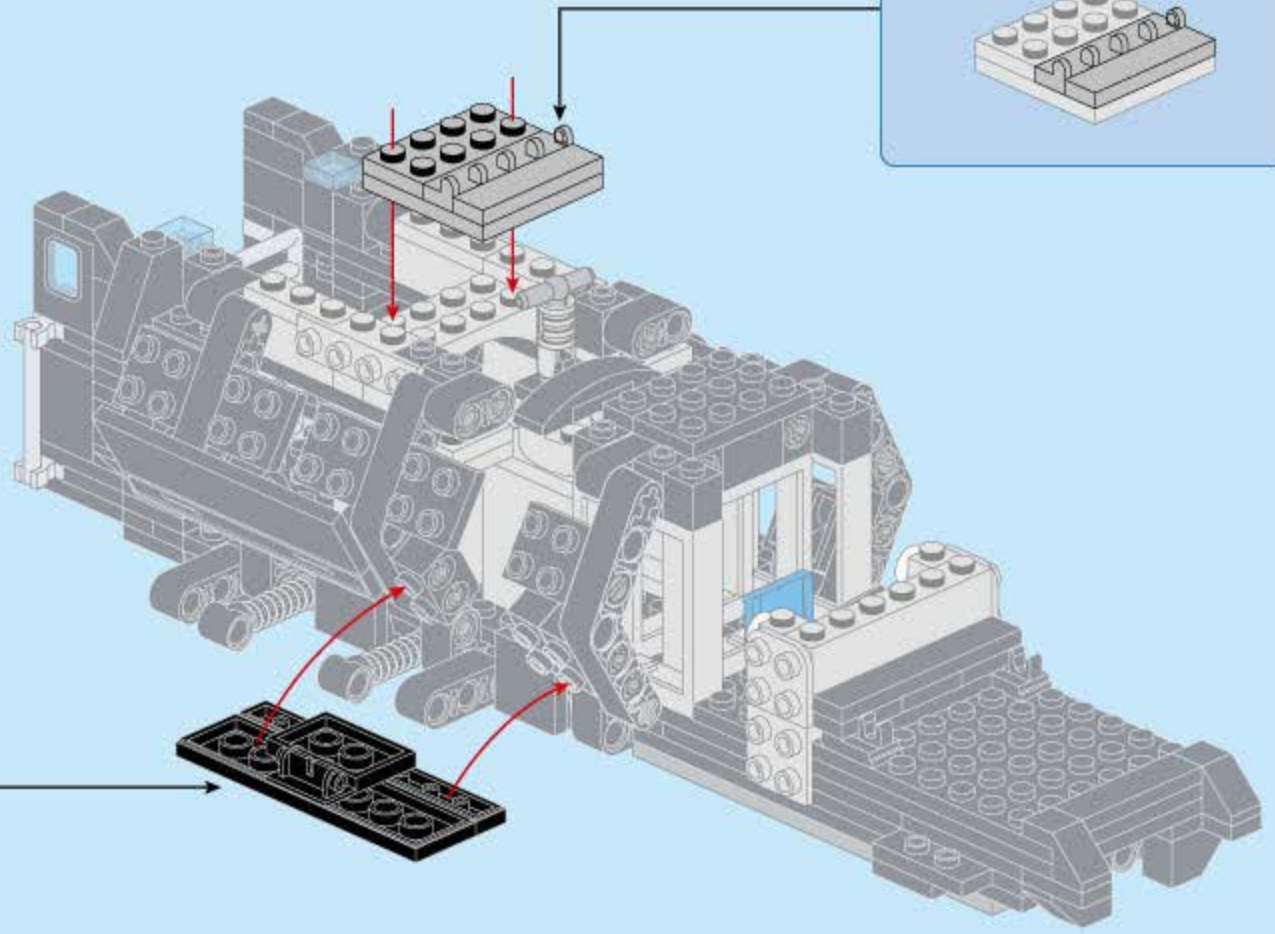
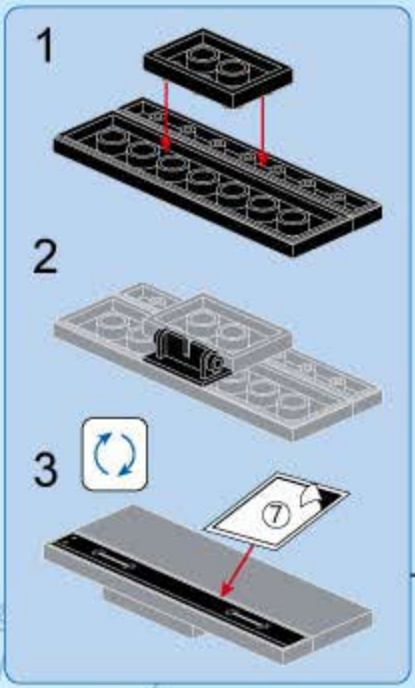
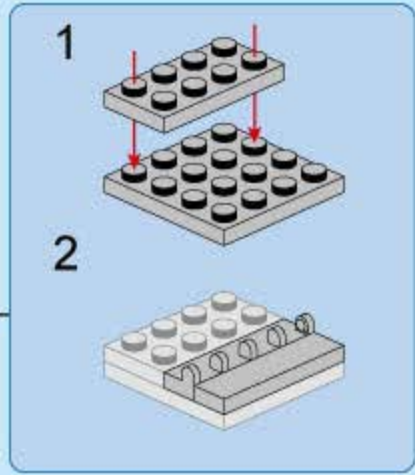
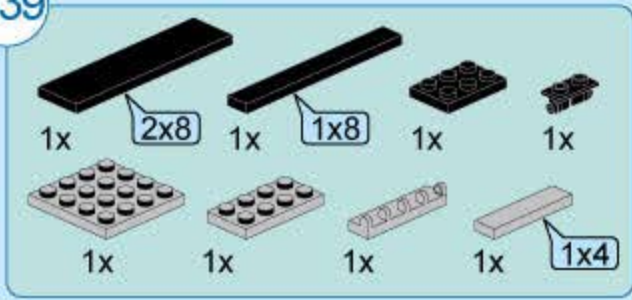




B38



B39



B40



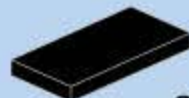
1x 1x6



2x 2x4



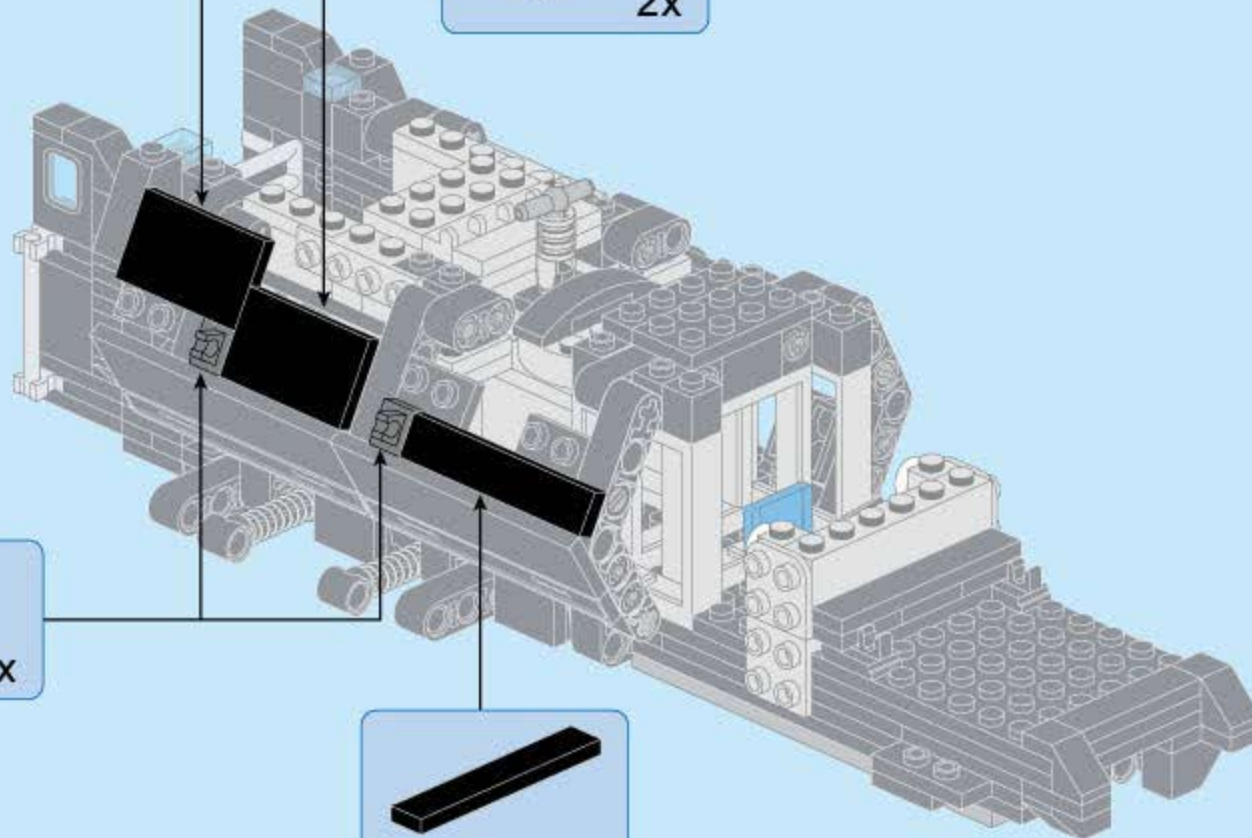
2x



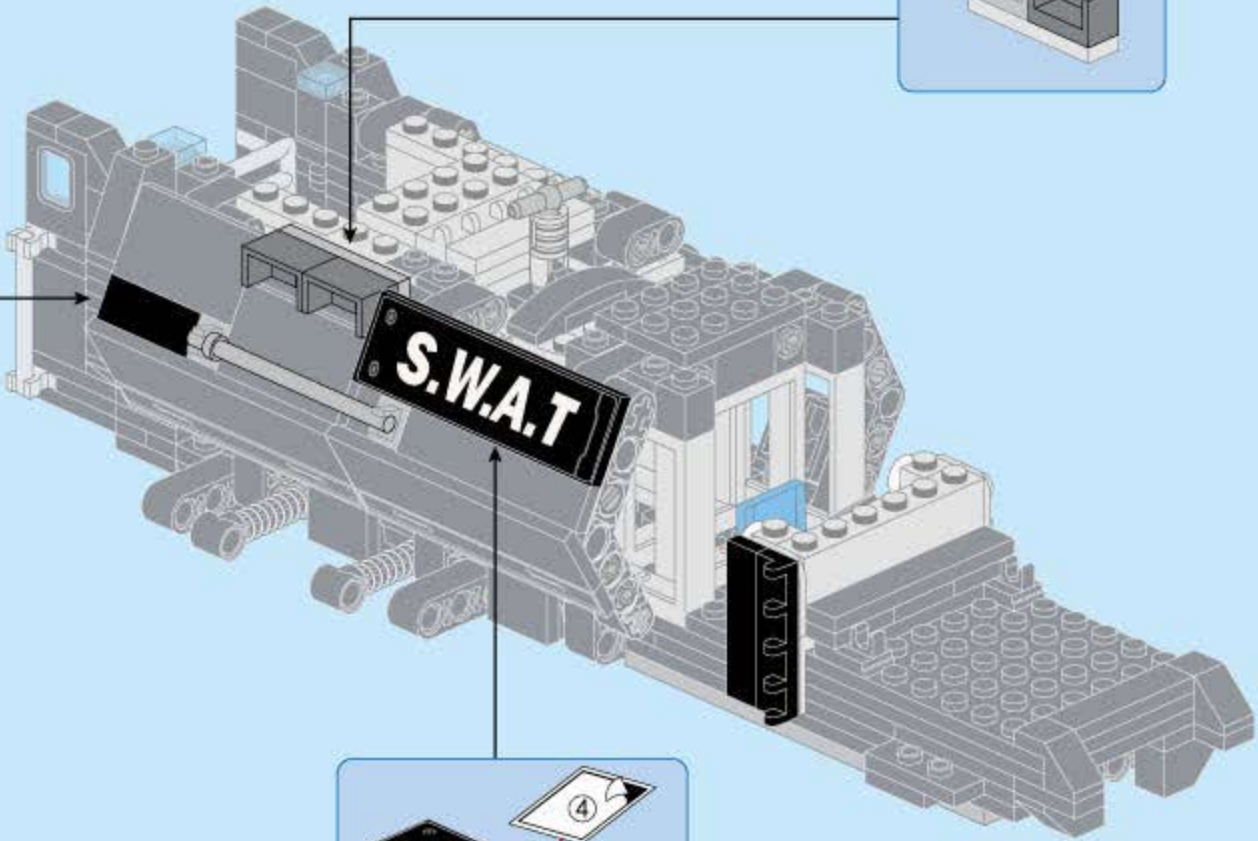
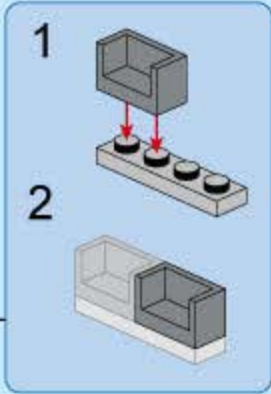
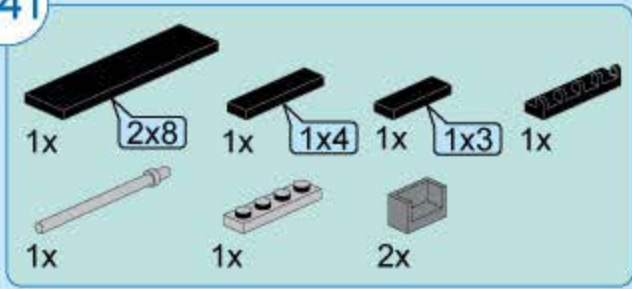
2x



2x

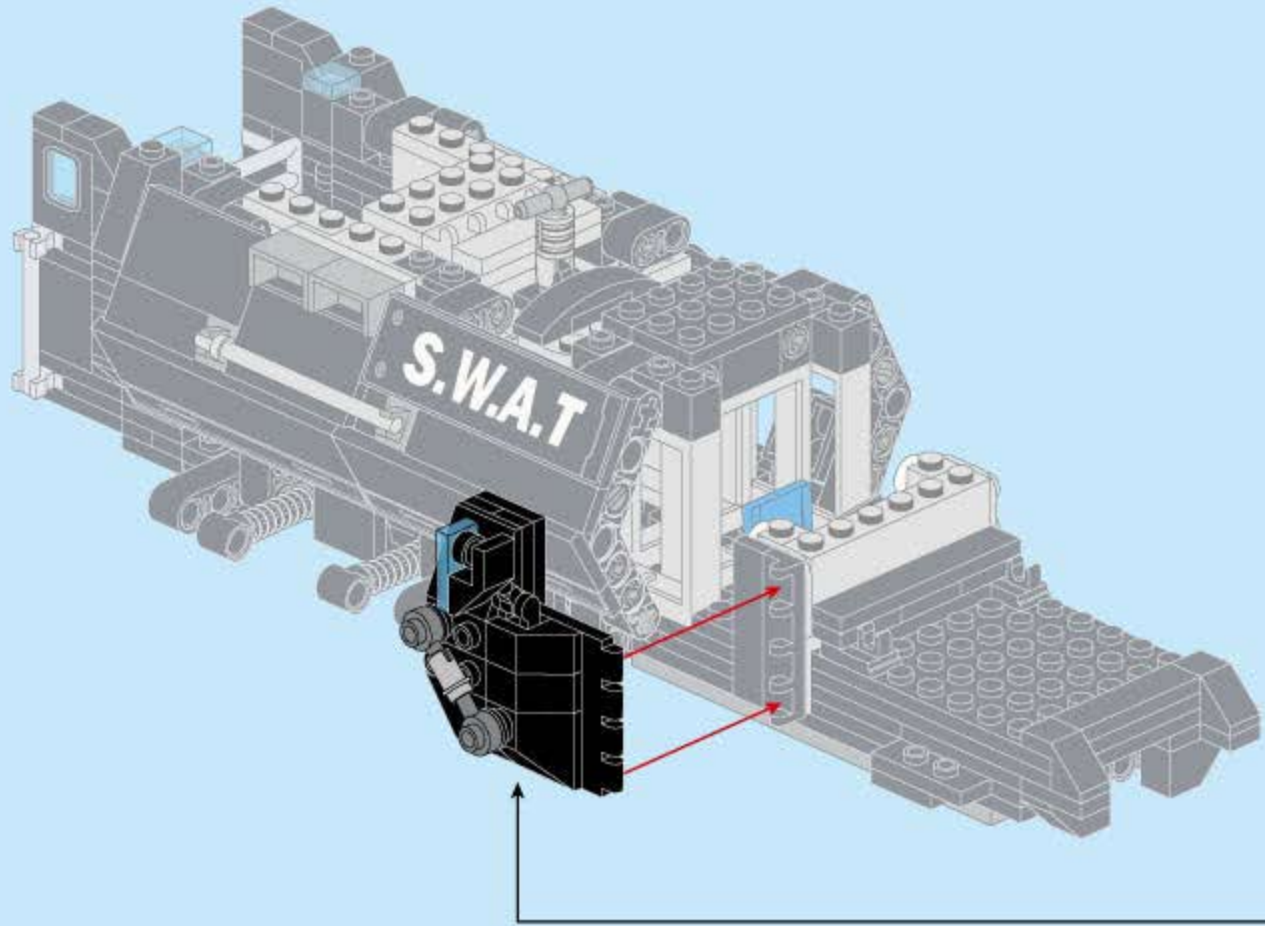


B41



B42

- 1x [1x 10-hole black Technic beam]
- 1x [1x 6-hole black Technic plate]
- 1x [1x 5-hole black Technic beam]
- 2x [2x 1-hole black Technic wedge]
- 1x [1x 1-hole black Technic wedge]
- 3x [3x 1-hole black Technic wedge]
- 1x [1x 1-hole black Technic wedge]
- 1x [1x 1-hole black Technic wedge]
- 2x [2x 1-hole black Technic wedge]
- 2x [2x 1-hole black Technic wedge]
- 1x [1x 1-hole blue Technic wedge]
- 2x [2x 1-hole grey Technic wedge]
- 1x [1x 1-hole grey Technic wedge]



1 [1x 10-hole black Technic beam] is placed on top of [1x 5-hole black Technic beam].

2 [1x 6-hole black Technic plate] is placed on top of the assembly from step 1.

3 [2x 1-hole black Technic wedge] is placed on top of the assembly from step 2.

4 [1x 1-hole black Technic wedge] is placed on top of the assembly from step 3.

5 [1x 1-hole black Technic wedge] is placed on top of the assembly from step 4.

6 [1x 1-hole grey Technic wedge] is placed on top of the assembly from step 5.

Inset 1: [1x 1-hole black Technic wedge] is placed on top of [1x 1-hole black Technic wedge].

Inset 2: [1x 1-hole black Technic wedge] is placed on top of [1x 1-hole black Technic wedge].

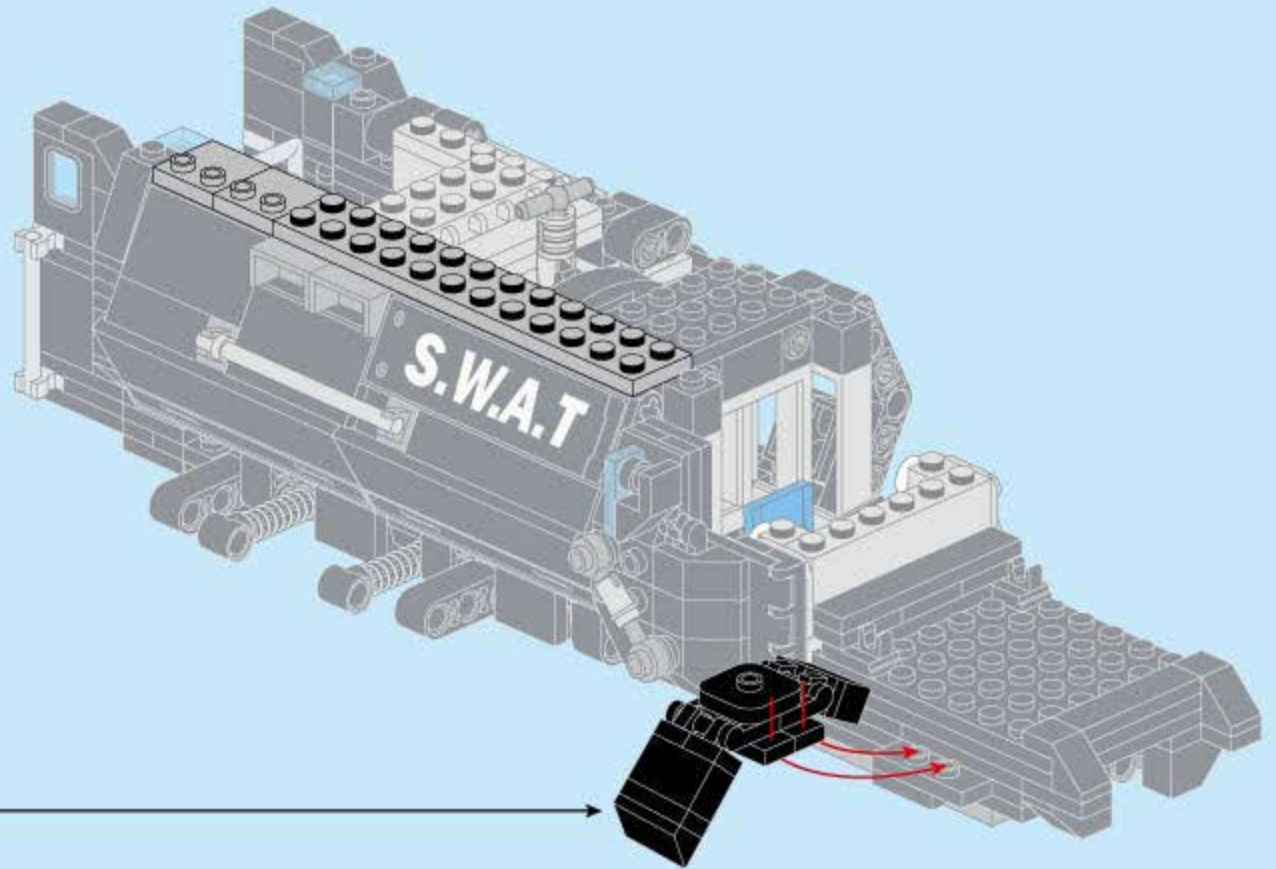
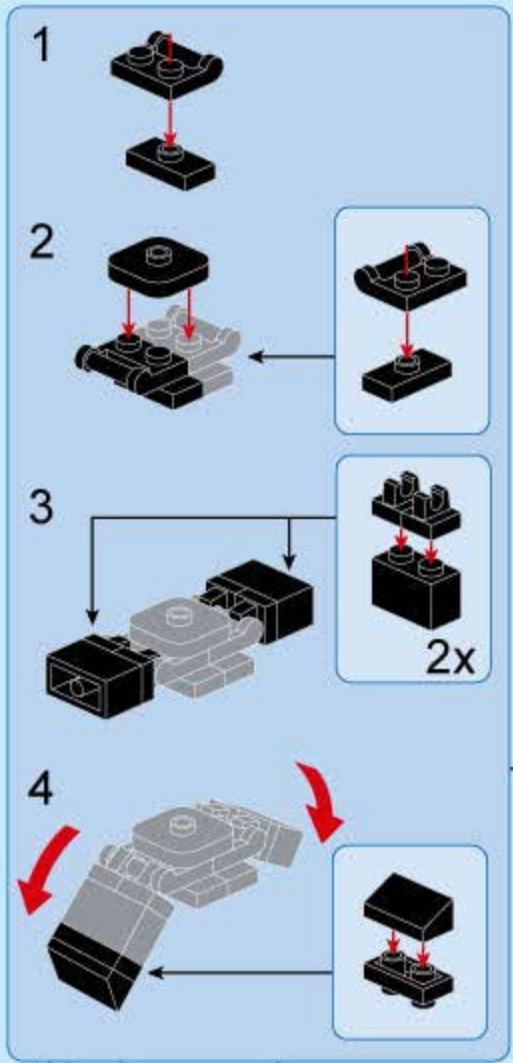
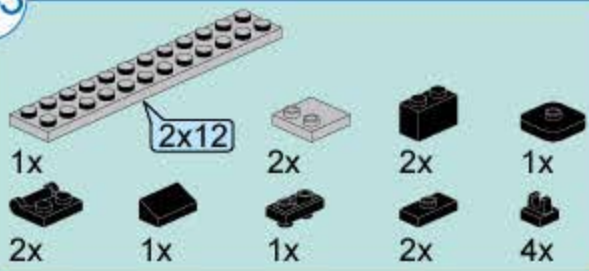
Inset 3: [1x 1-hole black Technic wedge] is placed on top of [1x 1-hole black Technic wedge].

Inset 4: [1x 1-hole black Technic wedge] is placed on top of [1x 1-hole black Technic wedge].

Inset 5: [1x 1-hole black Technic wedge] is placed on top of [1x 1-hole black Technic wedge].

Inset 6: [1x 1-hole grey Technic wedge] is placed on top of [1x 1-hole grey Technic wedge].

B43



B44

- 1x [2x8] (black 2x8 Technic beam)
- 1x [1x8] (black 1x8 Technic beam)
- 1x (black 2x2 Technic brick)
- 2x (black 2x2 Technic brick with hole)
- 1x (black 1x2 Technic brick)
- 1x (black 1x2 Technic brick with hole)
- 1x (black 1x2 Technic brick with hole)
- 2x (black 1x2 Technic brick with hole)
- 4x (black 1x2 Technic brick with hole)

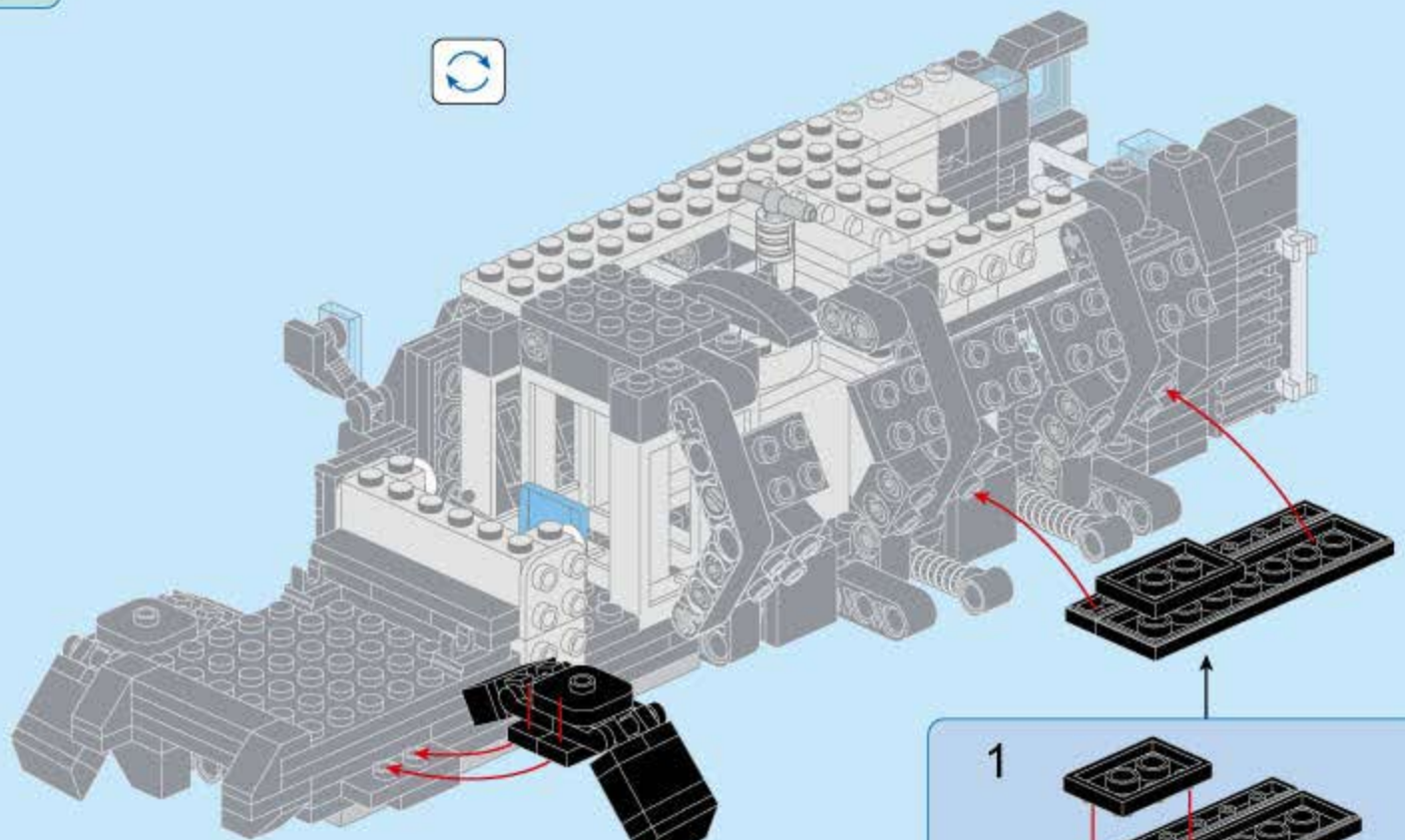


1

2

3

4

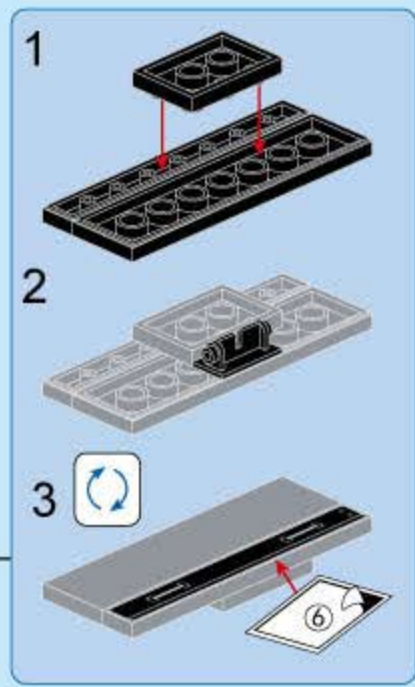
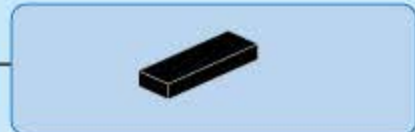
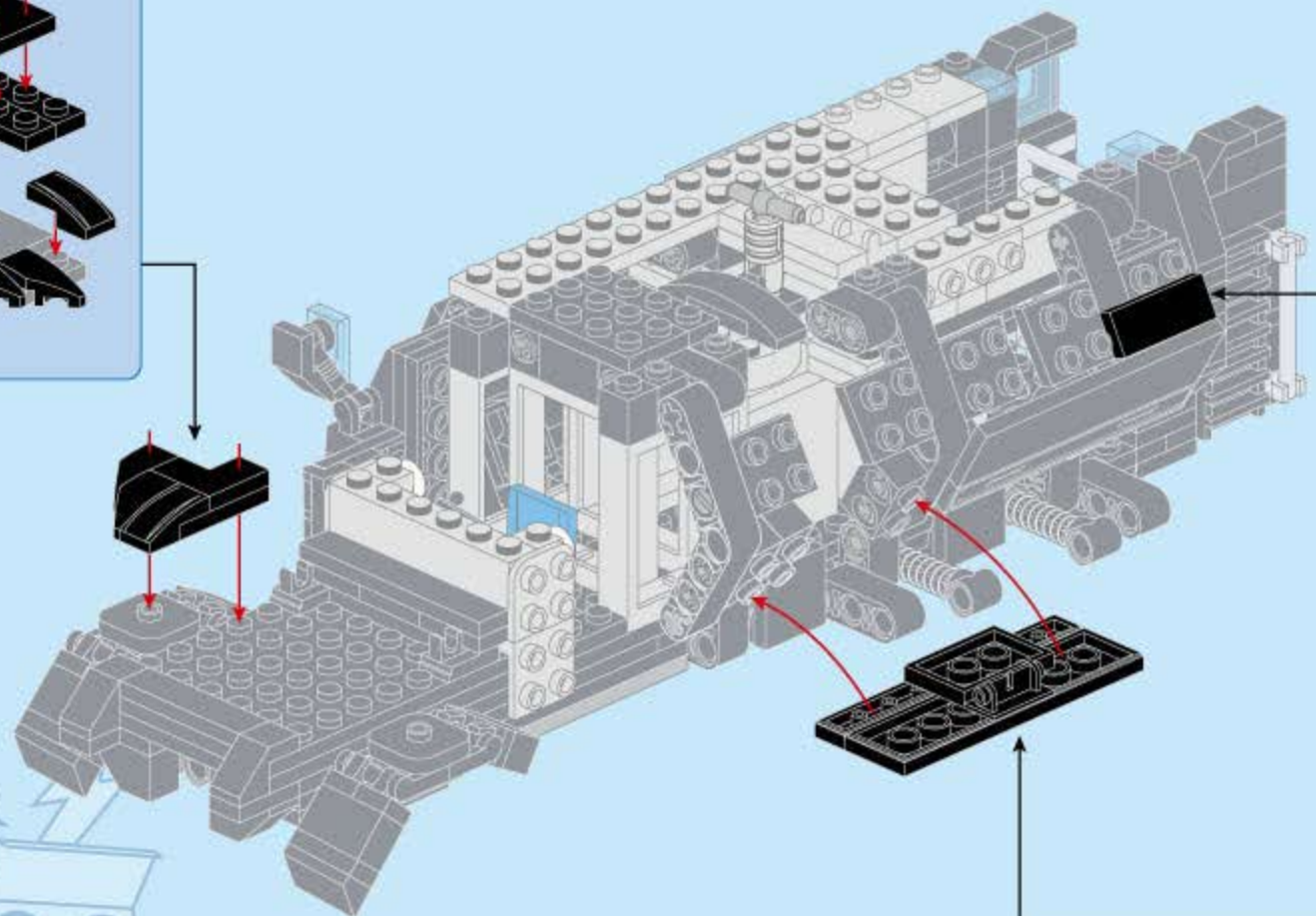
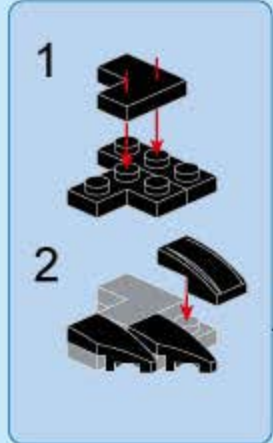


1

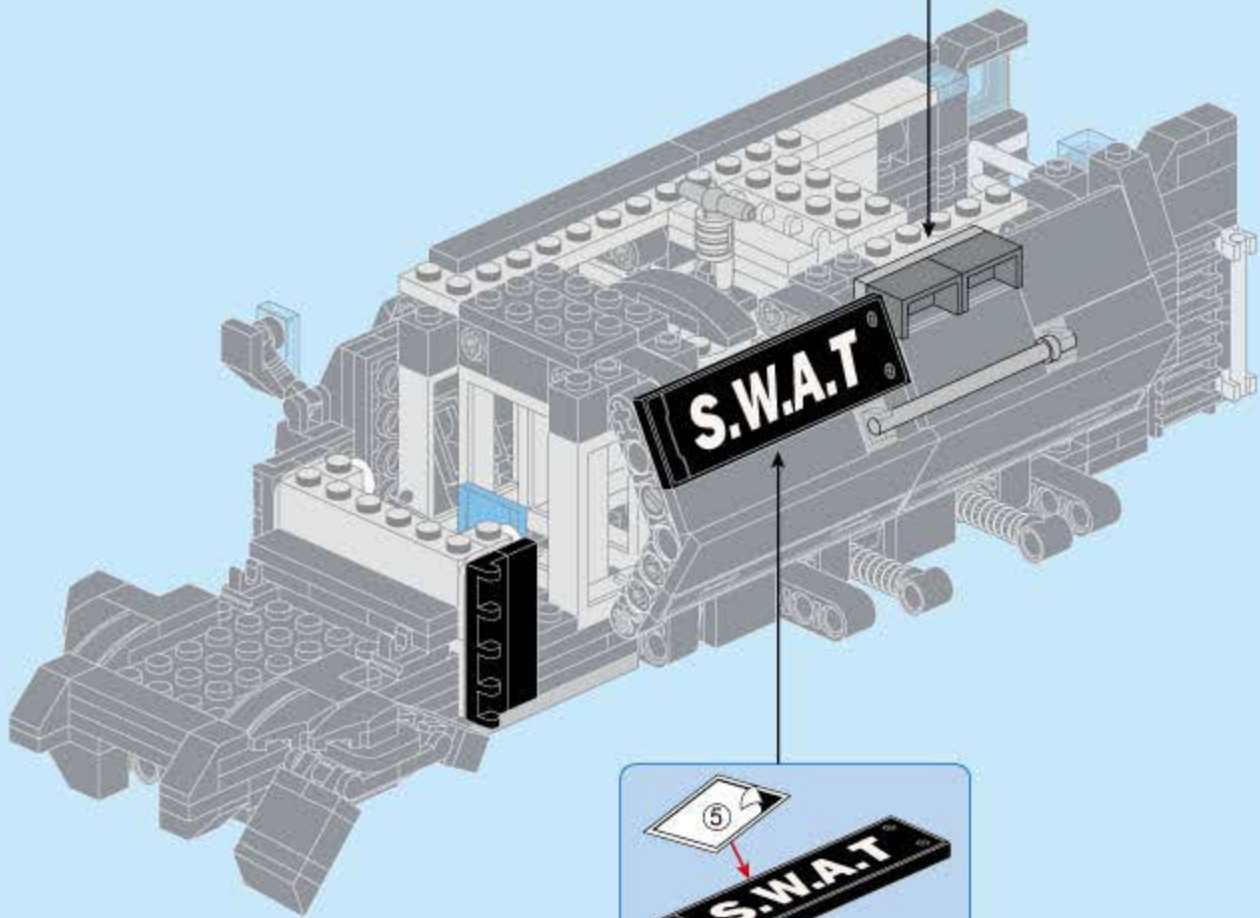
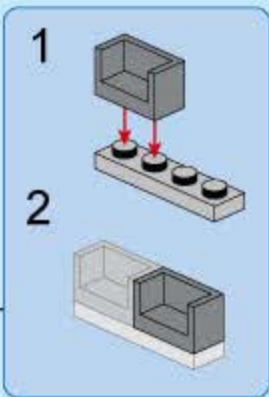
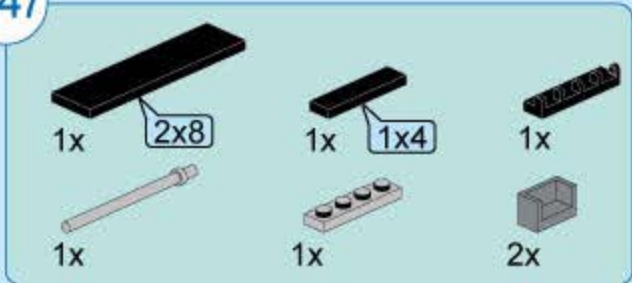
2

B45

- 1x 2x8
- 1x 1x8
- 1x [2x2 with hole]
- 1x [2x2 with hole]
- 1x [2x2 with hole]
- 1x [2x2 with hole]
- 1x [2x2 with hole]
- 1x [2x2 with hole]
- 1x [2x2 with hole]
- 1x [2x2 with hole]
- 1x [2x2 with hole]
- 2x [2x2 with hole]

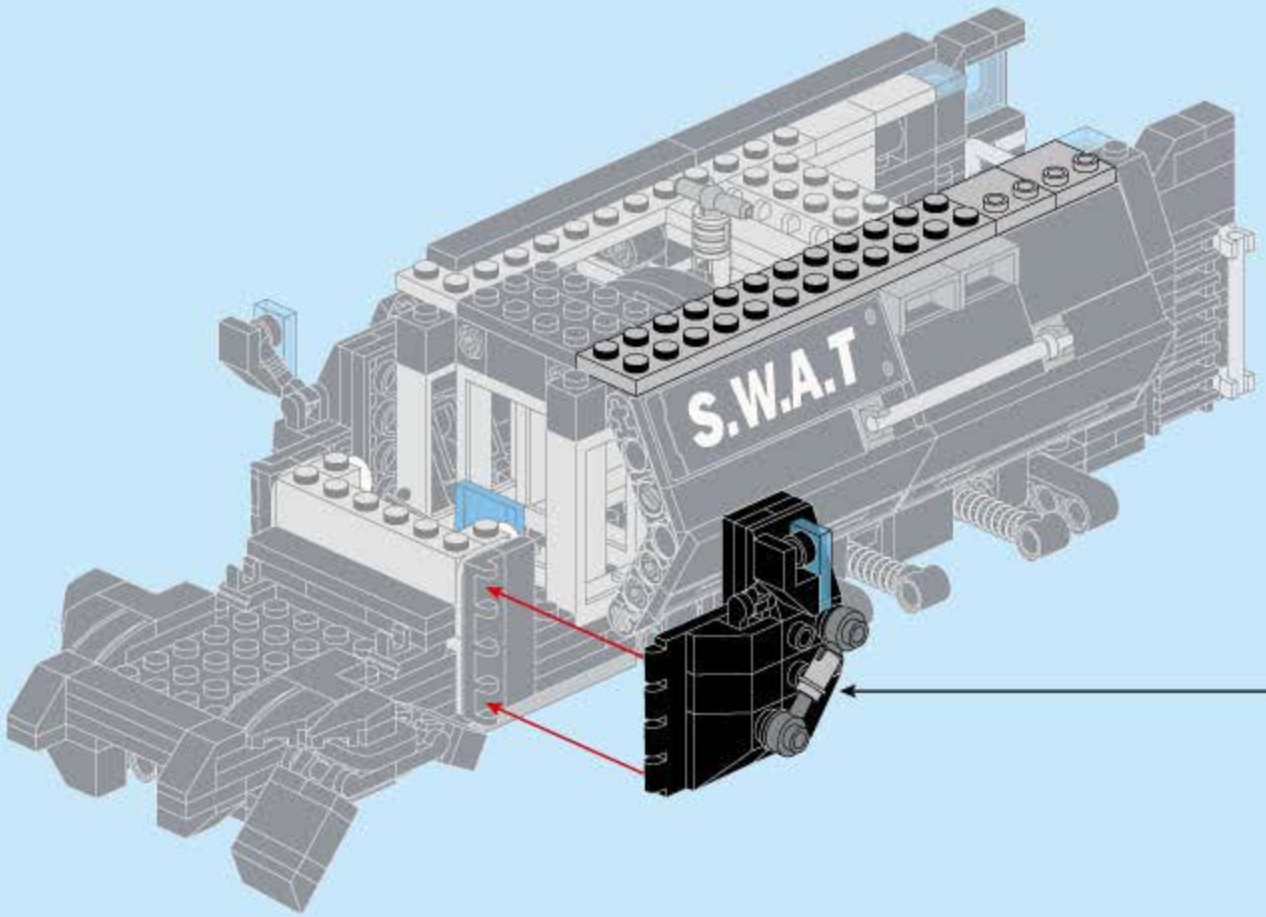


B47



B48

- 1x 1x12 grey Technic beam
- 2x 1x2 grey Technic plate
- 1x grey Technic axle
- 1x blue Technic 1x2 plate
- 2x grey Technic axle pins
- 2x black Technic axle pins
- 1x black 1x4 Technic Technonut
- 1x black 1x4 Technic Technonut
- 1x black 1x4 Technic Technonut
- 2x black Technic wedge
- 1x black Technic wedge
- 3x black Technic wedge
- 1x black Technic axle pin
- 1x black Technic axle pin
- 2x black Technic axle pin



1

2

3

4

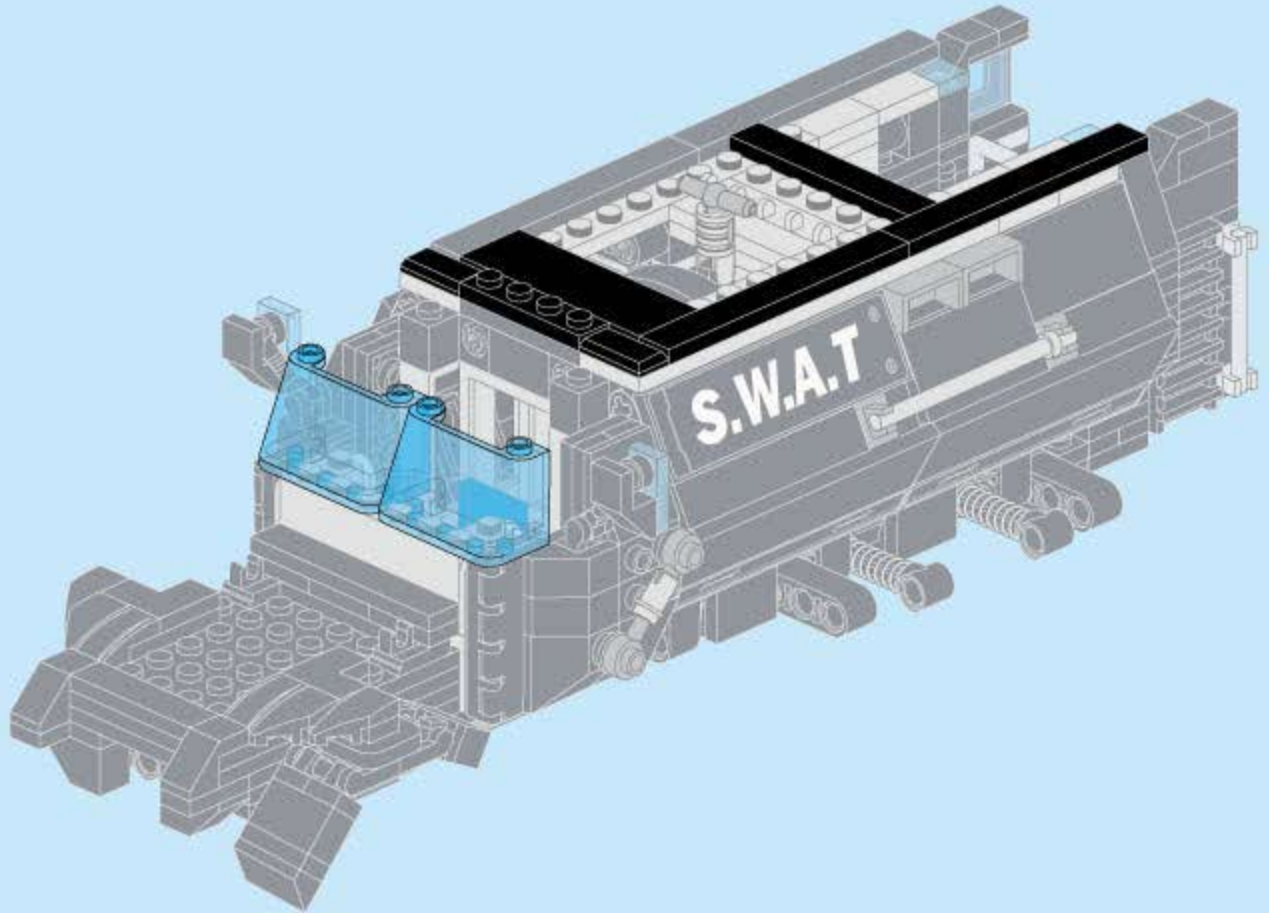
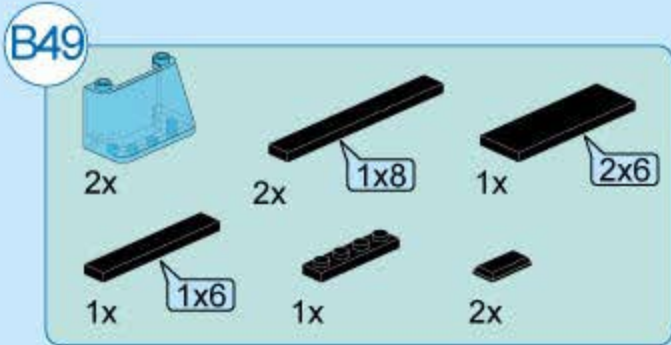
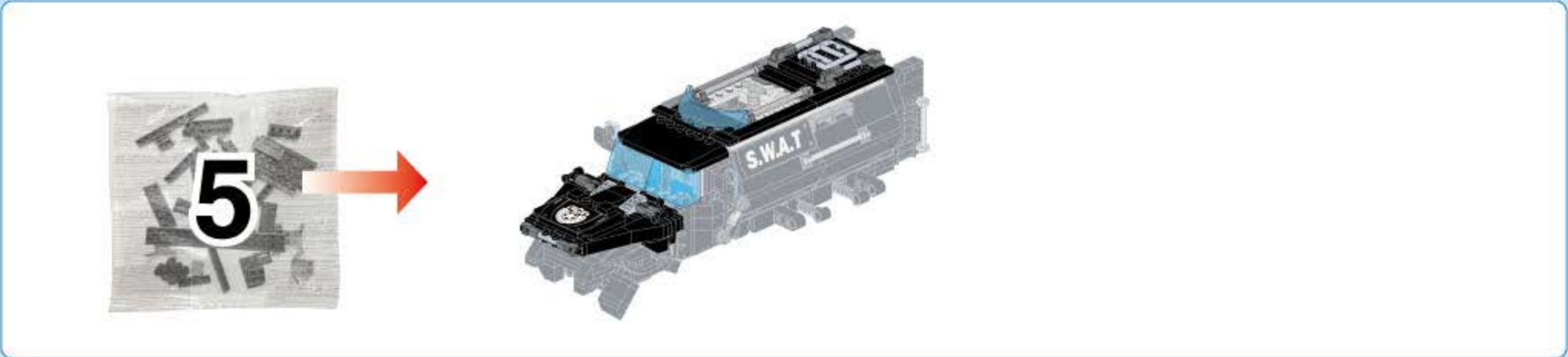
5

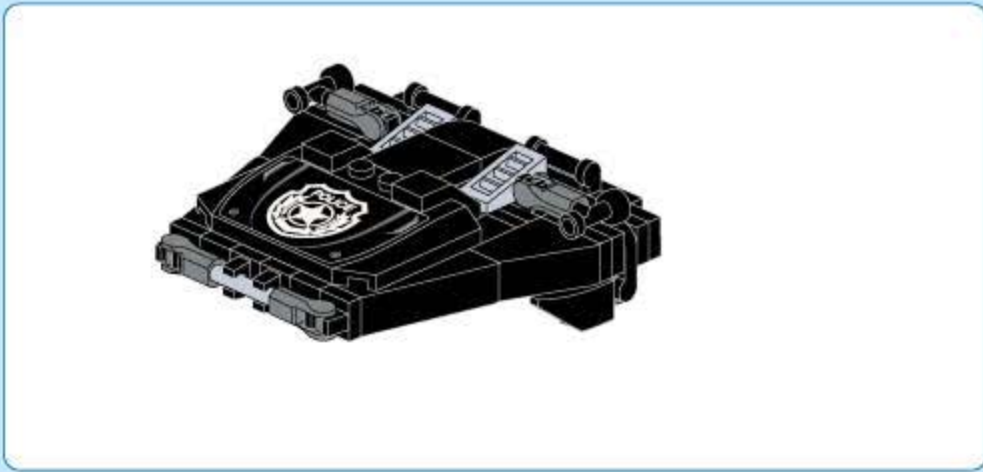
6

1

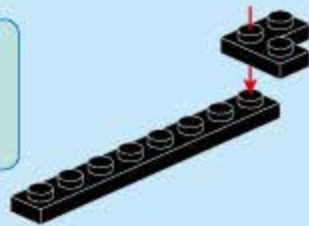
2

1

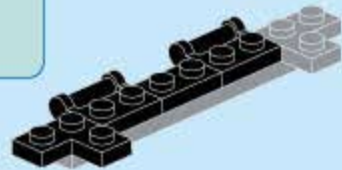




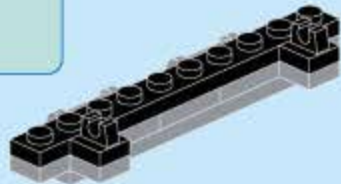
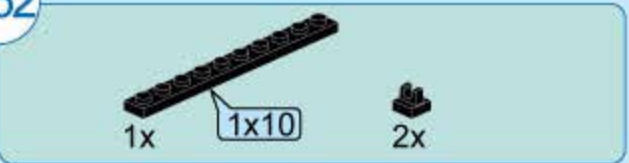
B50



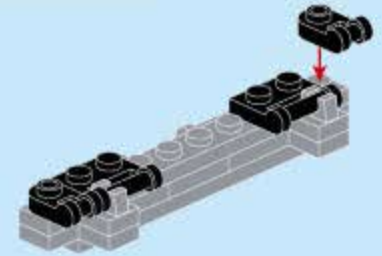
B51



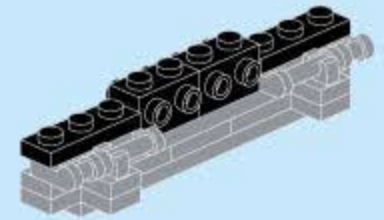
B52



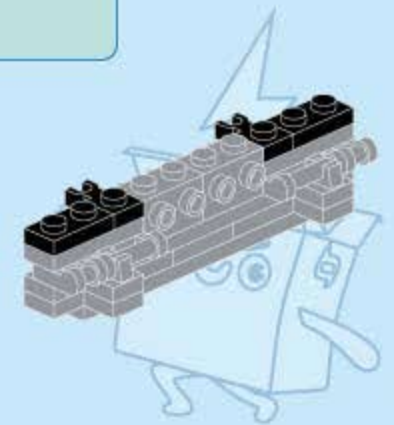
B53



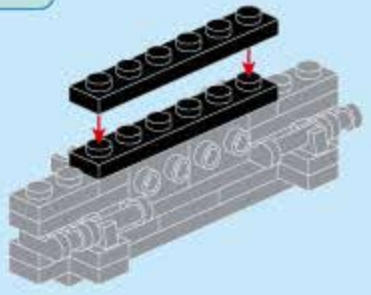
B54



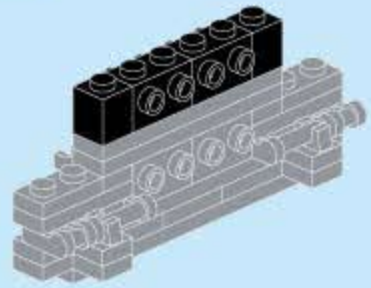
B55



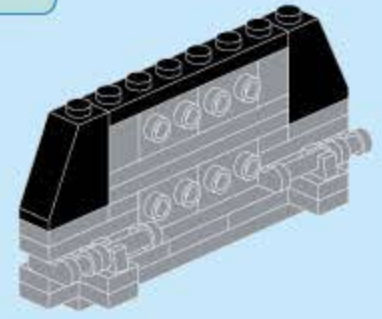
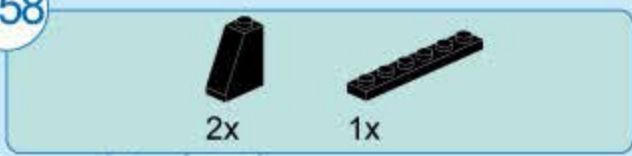
B56



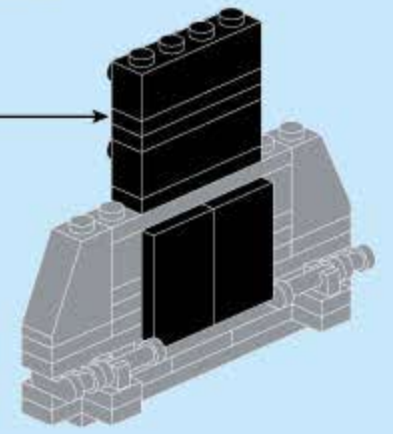
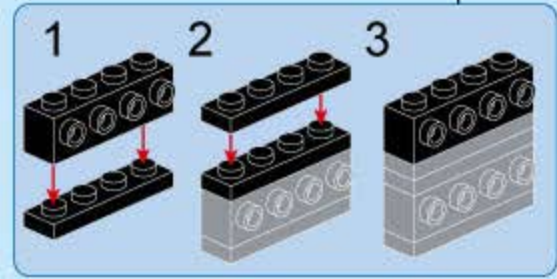
B57



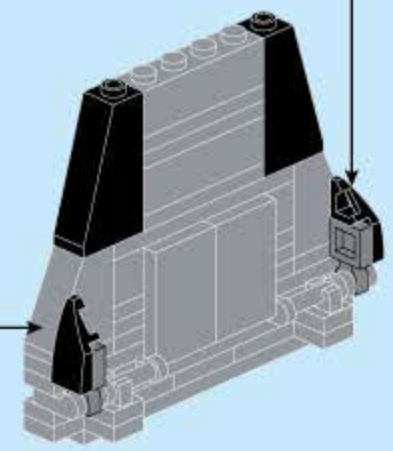
B58



B59



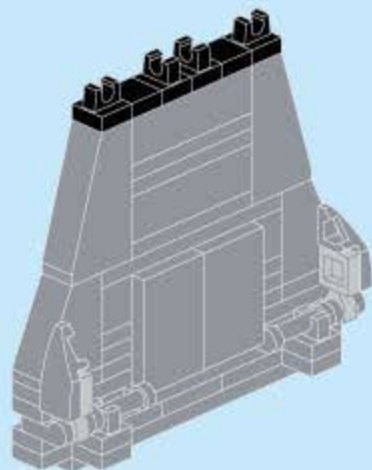
B60



B61

4x

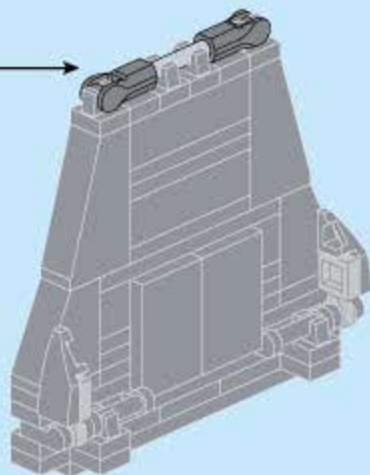
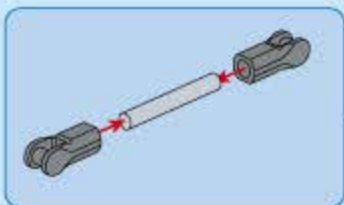
2x



B62

2x

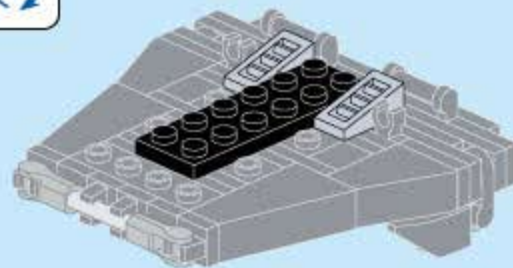
1x



B63

1x

2x



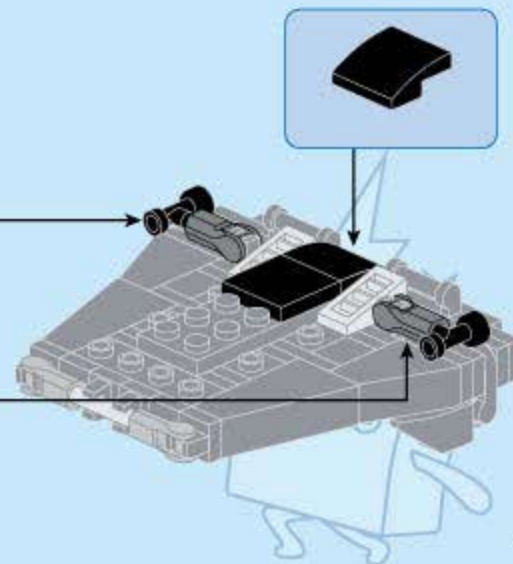
B64

1x

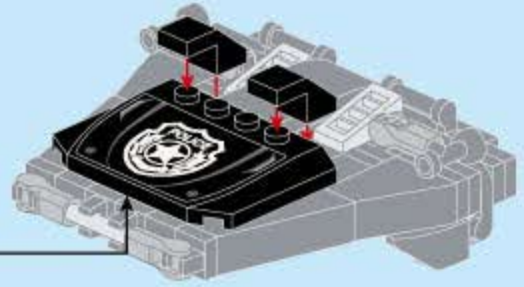
1x

2x

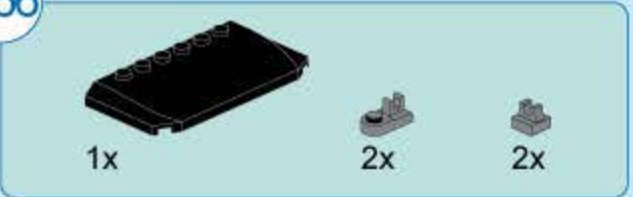
2x



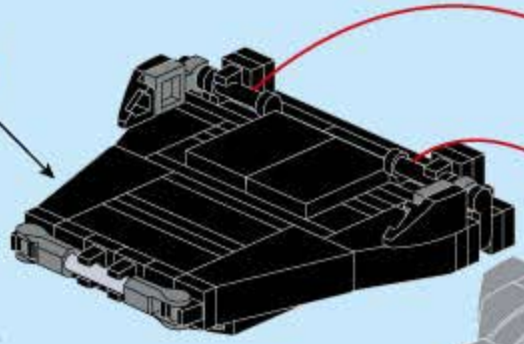
B65



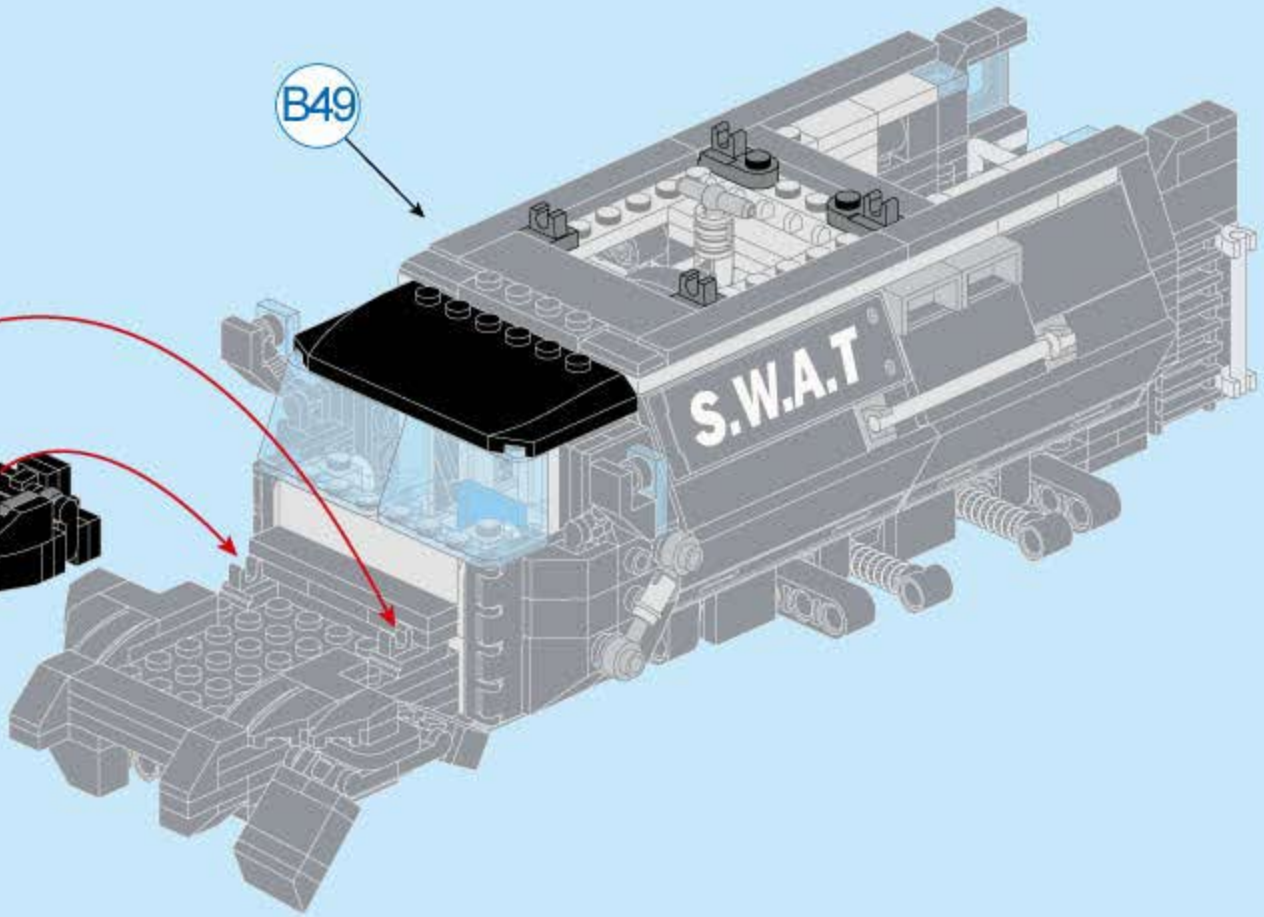
B66



B65

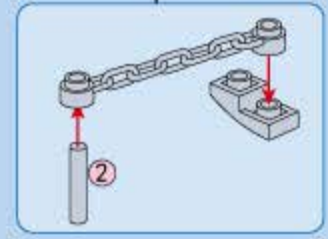
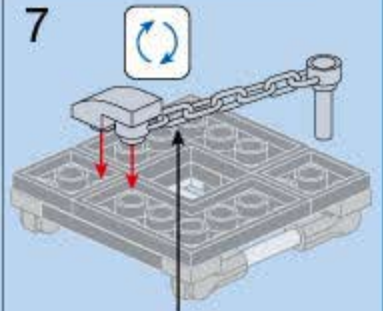
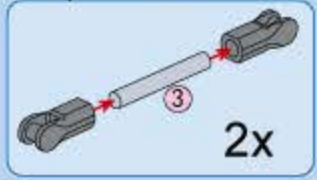
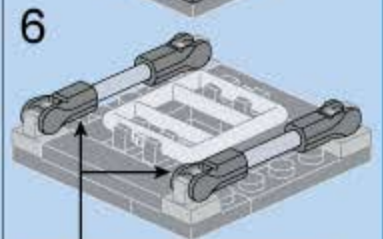
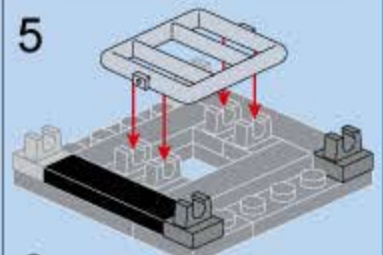
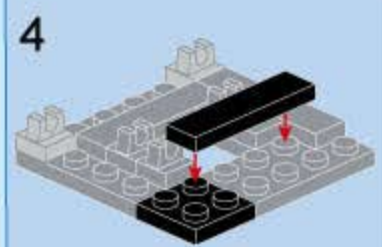
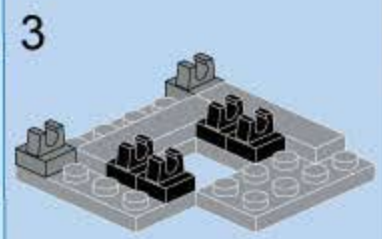
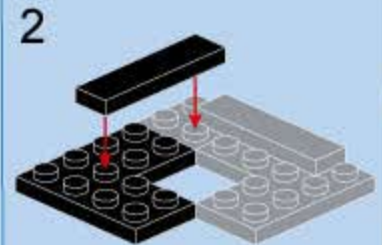
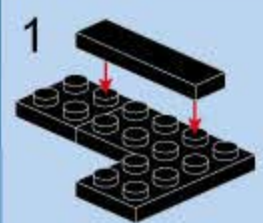
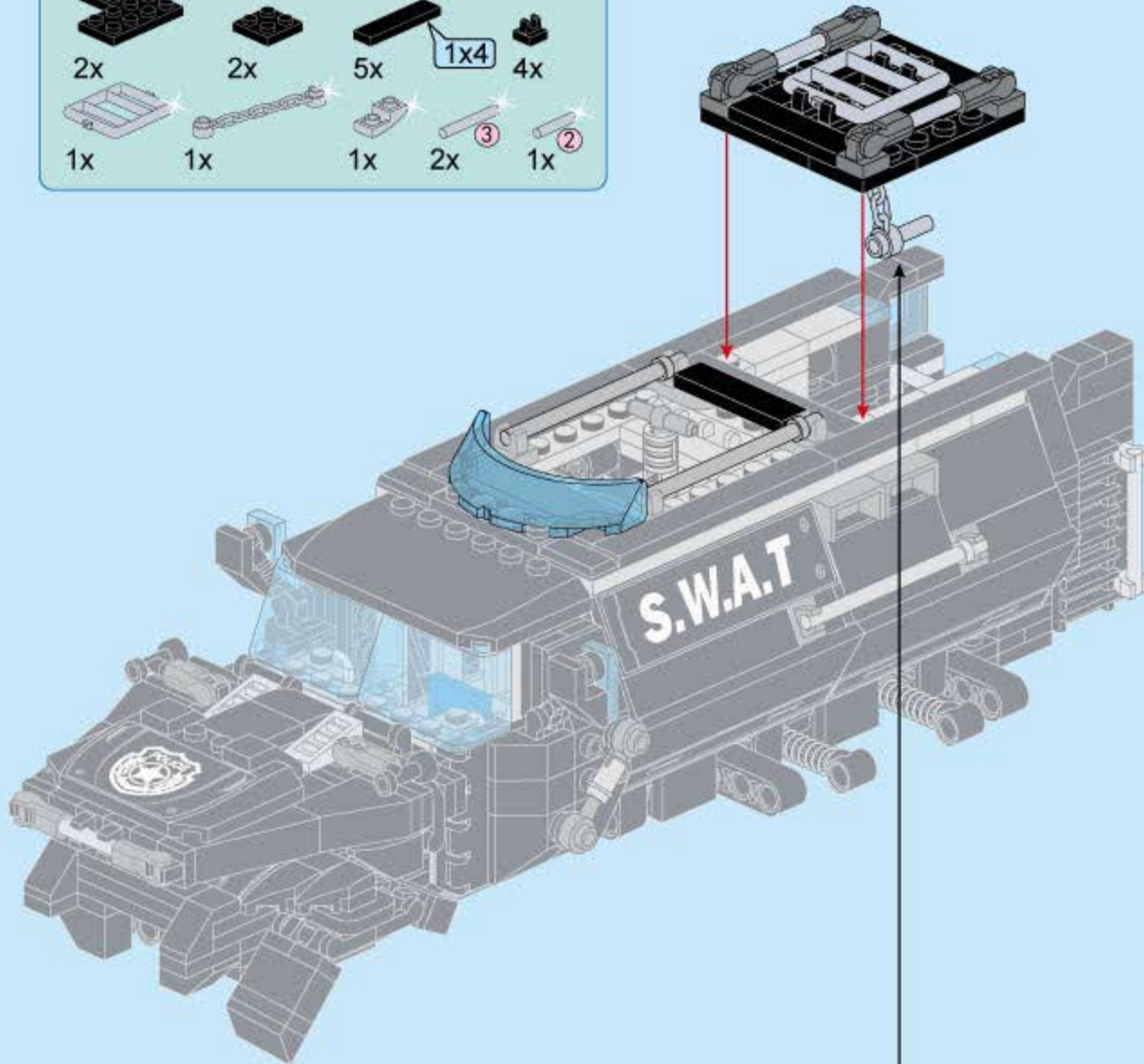


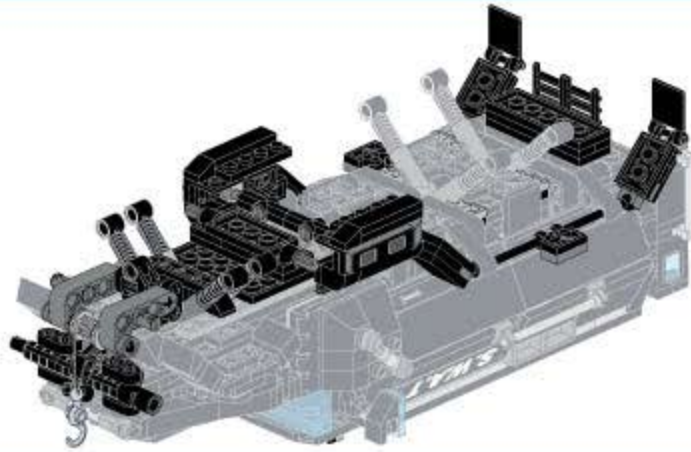
B49



B67

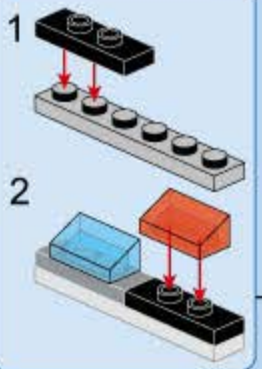
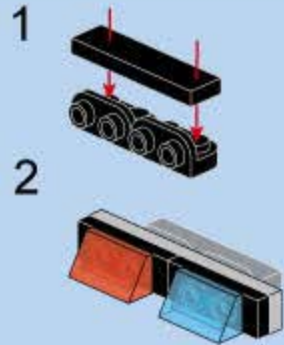
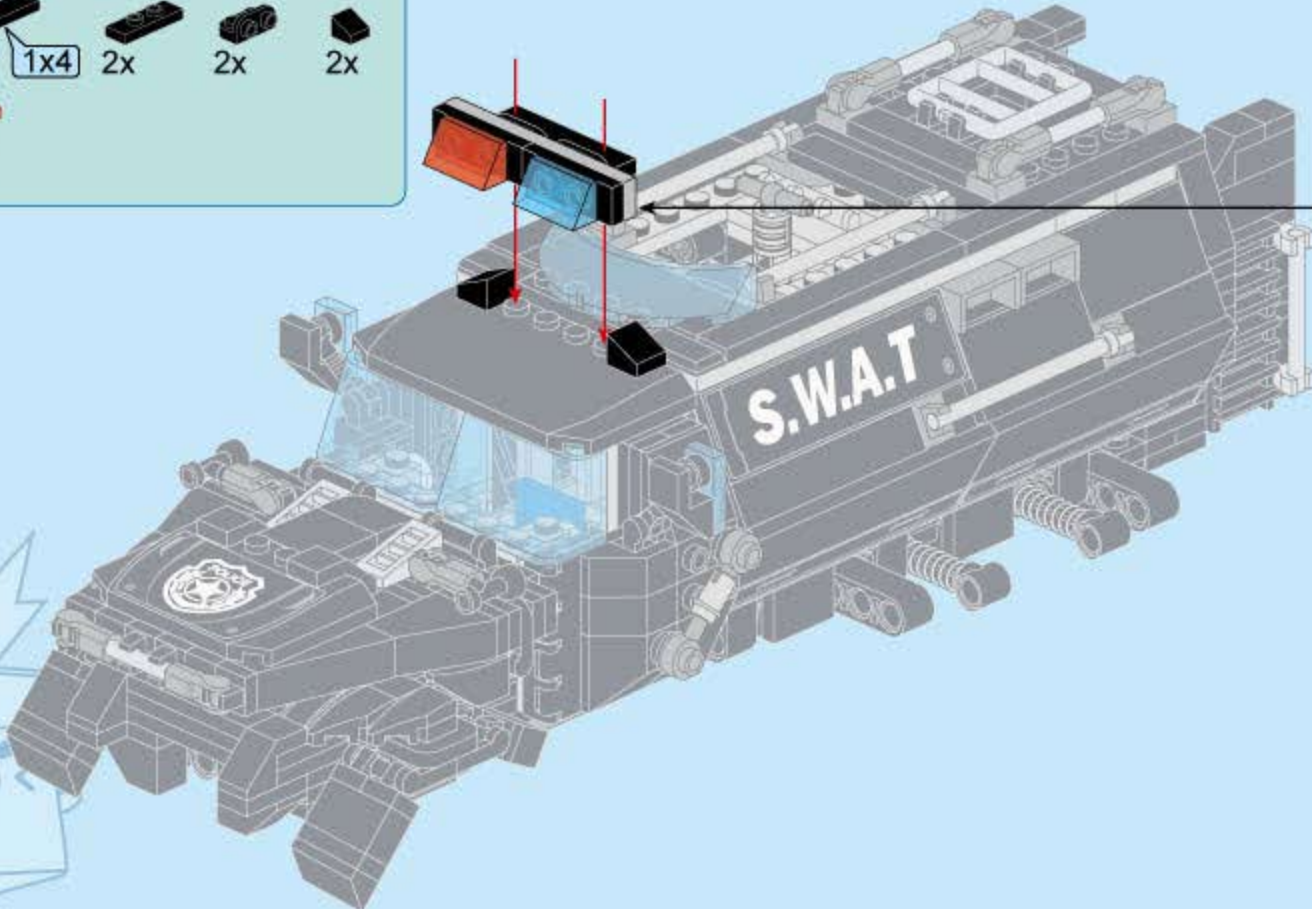
- 1x (Blue curved piece)
- 2x (Grey axle)
- 4x (Black 1x4 Technic brick)
- 4x (Black 1x2 Technic brick)
- 2x (Black 1x2 Technic brick)
- 2x (Black 1x2 Technic brick)
- 5x (Black 1x4 Technic brick)
- 1x4 (Black 1x4 Technic brick)
- 4x (Black 1x2 Technic brick)
- 1x (Black 1x2 Technic brick)
- 1x (Grey axle)
- 1x (Grey axle)
- 2x (Grey axle)
- 2x (Grey axle)
- 1x (Grey axle)
- 1x (Grey axle)



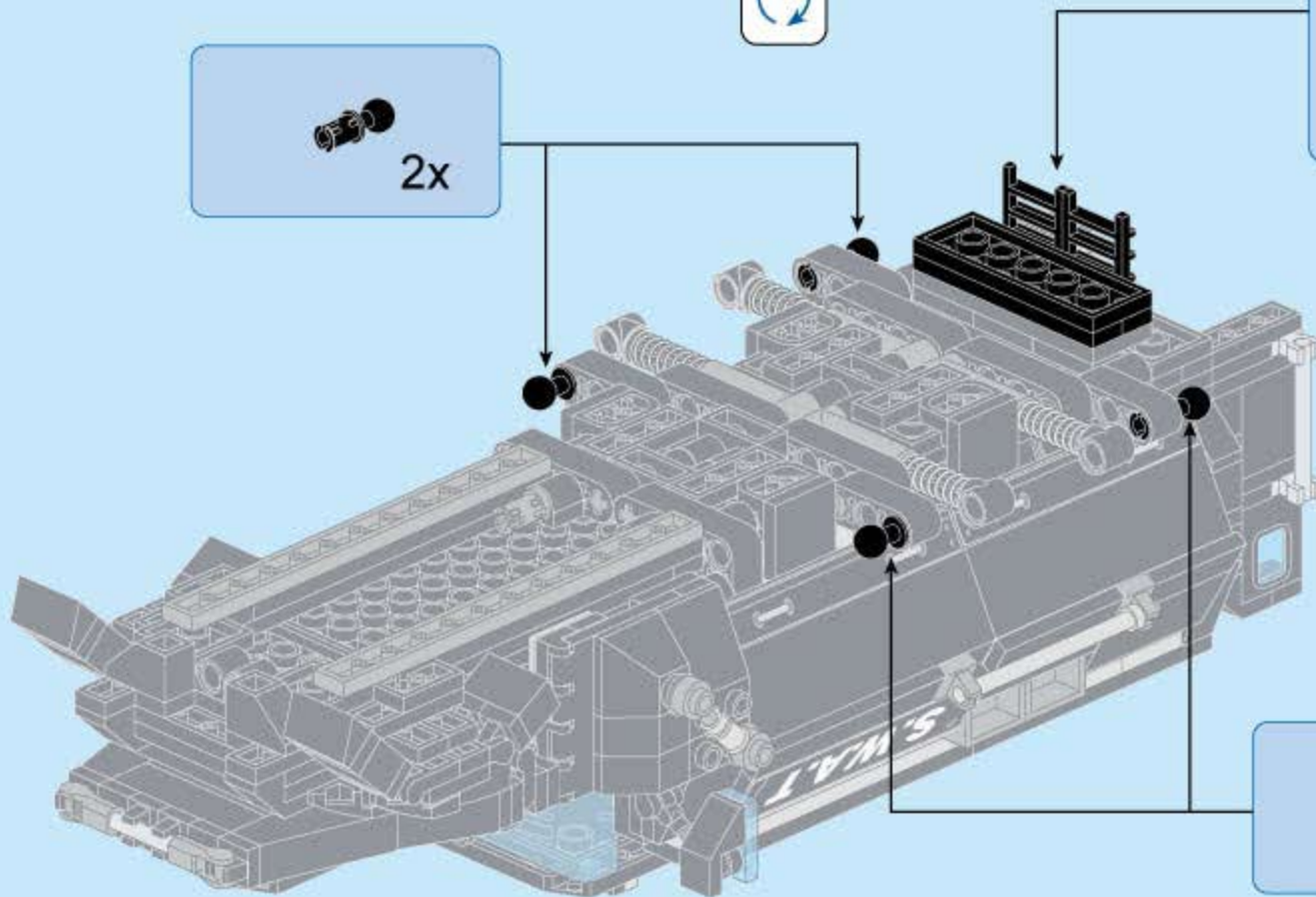
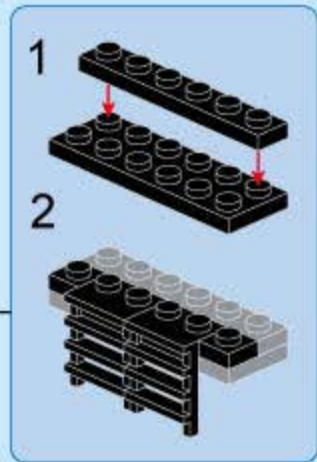
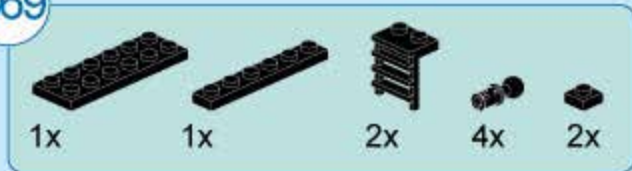


B68

- 1x
- 1x
- 1x4
- 2x
- 2x
- 2x
- 1x
- 1x

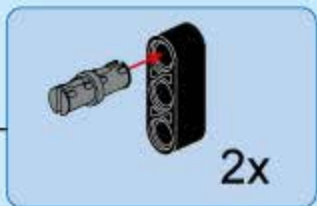
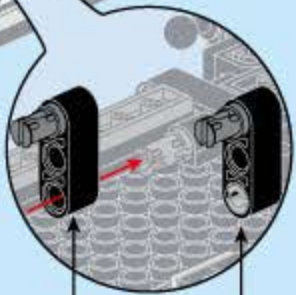
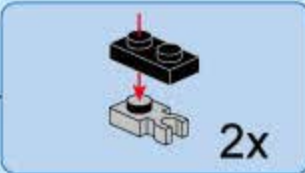
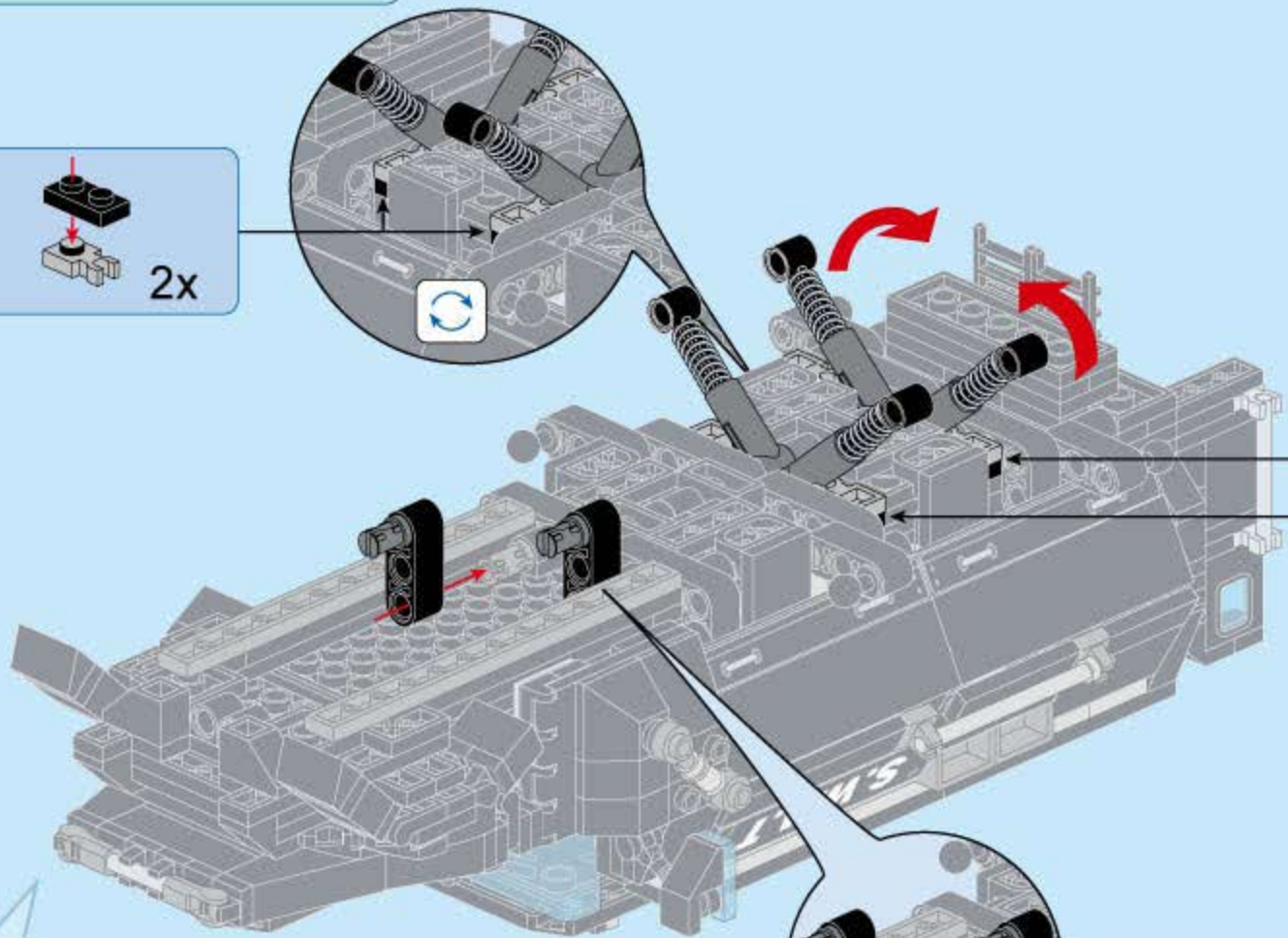
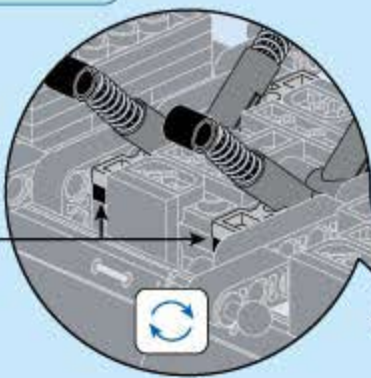
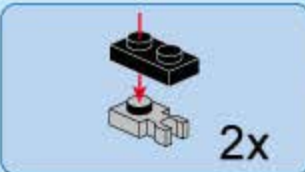


B69



B70

- 2x [Black Technic Pin]
- 4x [Black Technic 1x2 Brick]
- 2x [Grey Technic Pin]
- 4x [Black Technic 1x2 Brick with Hole]



B71



2x



4x

④



1x

②



2x



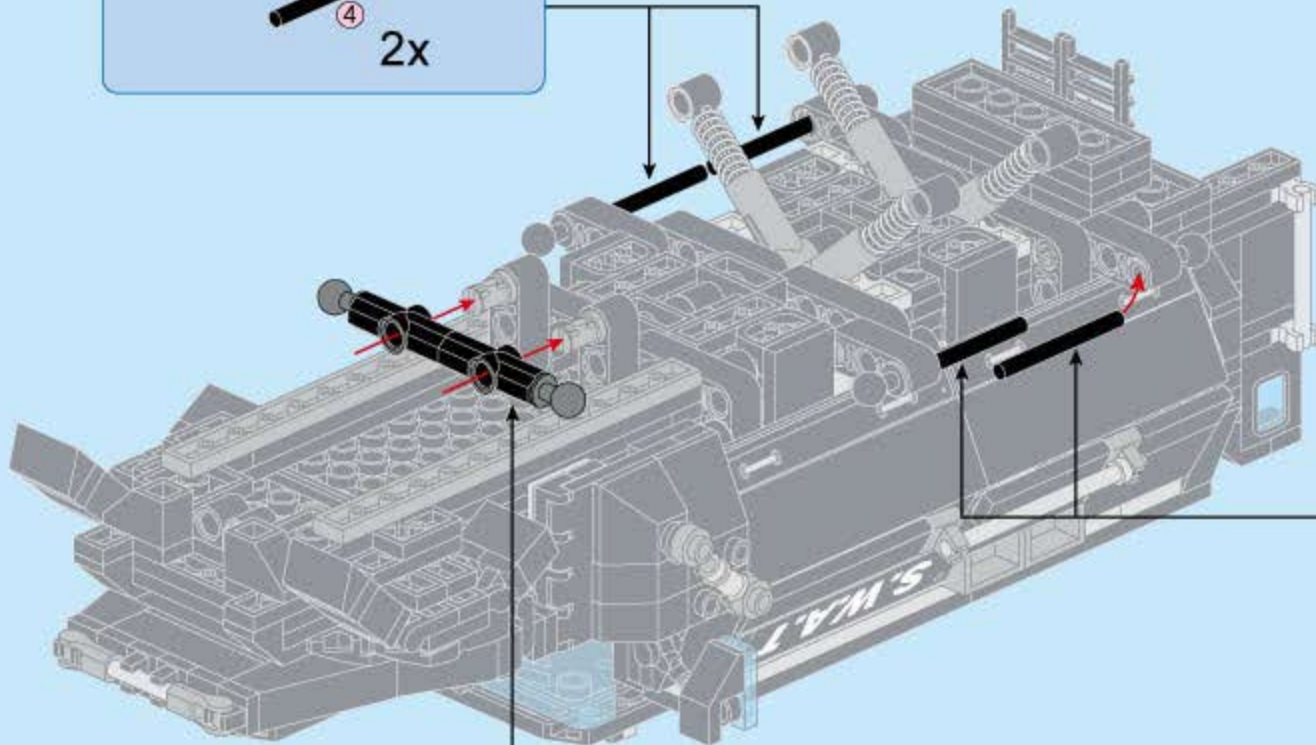
②

1:1



④

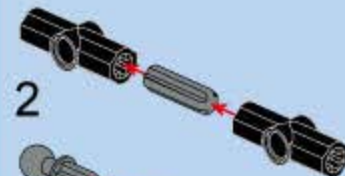
2x



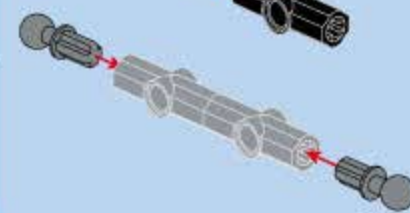
④

2x

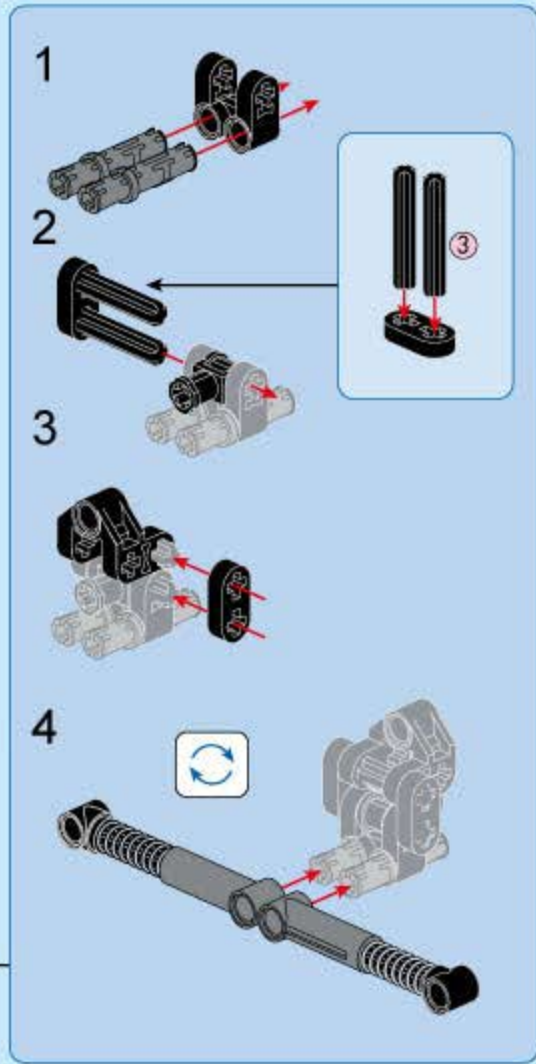
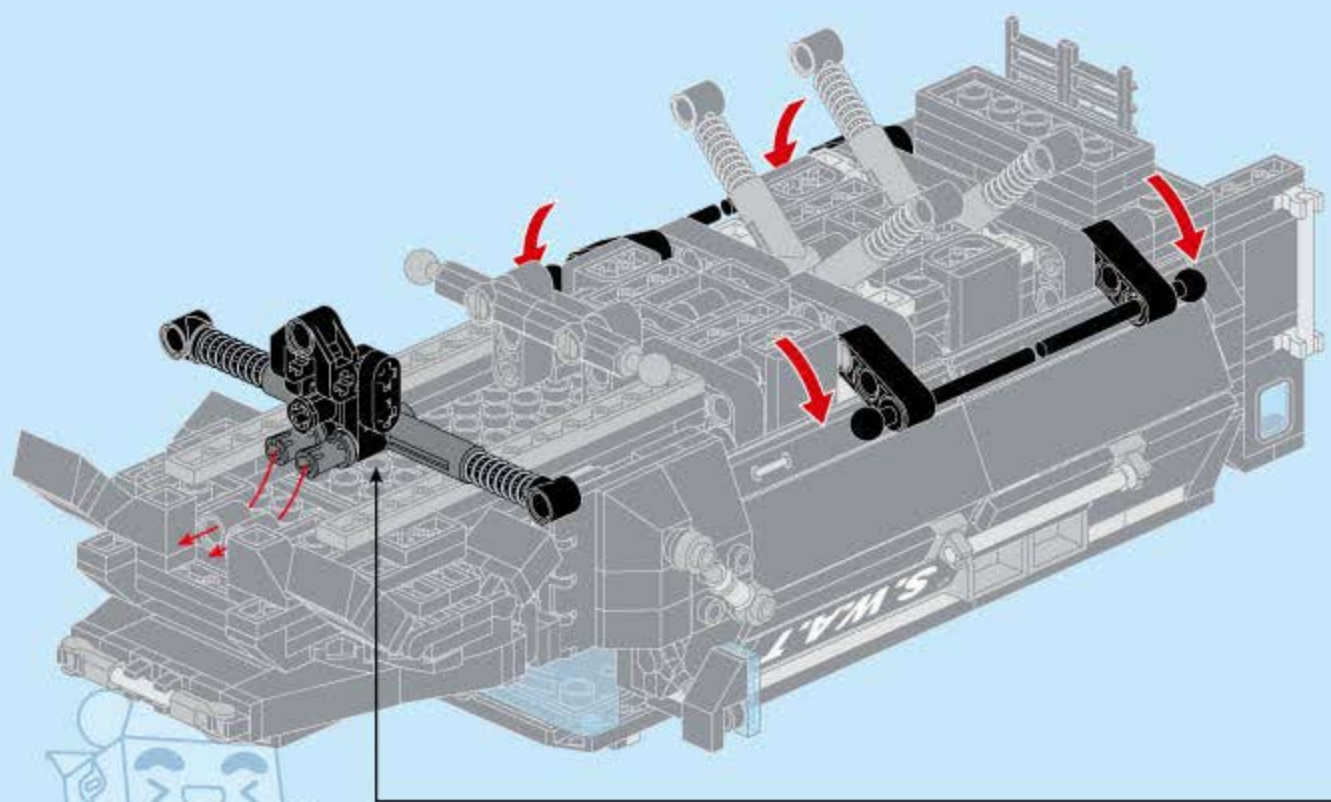
1



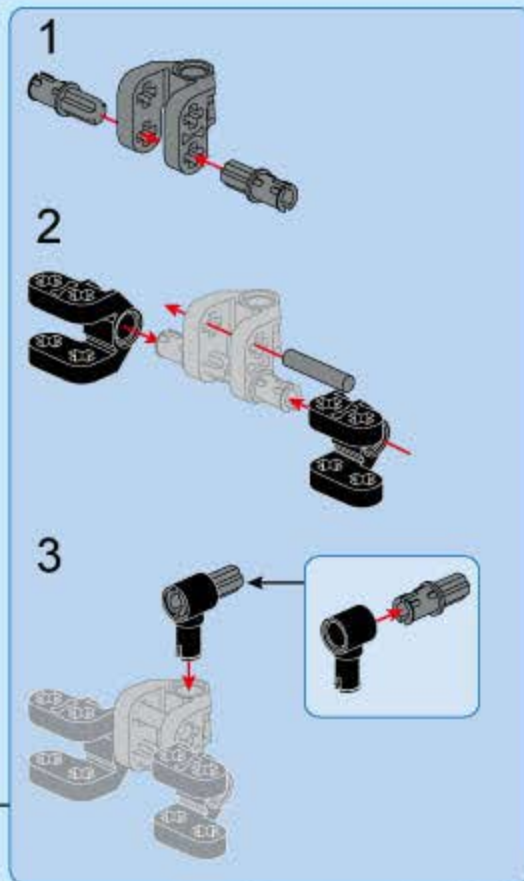
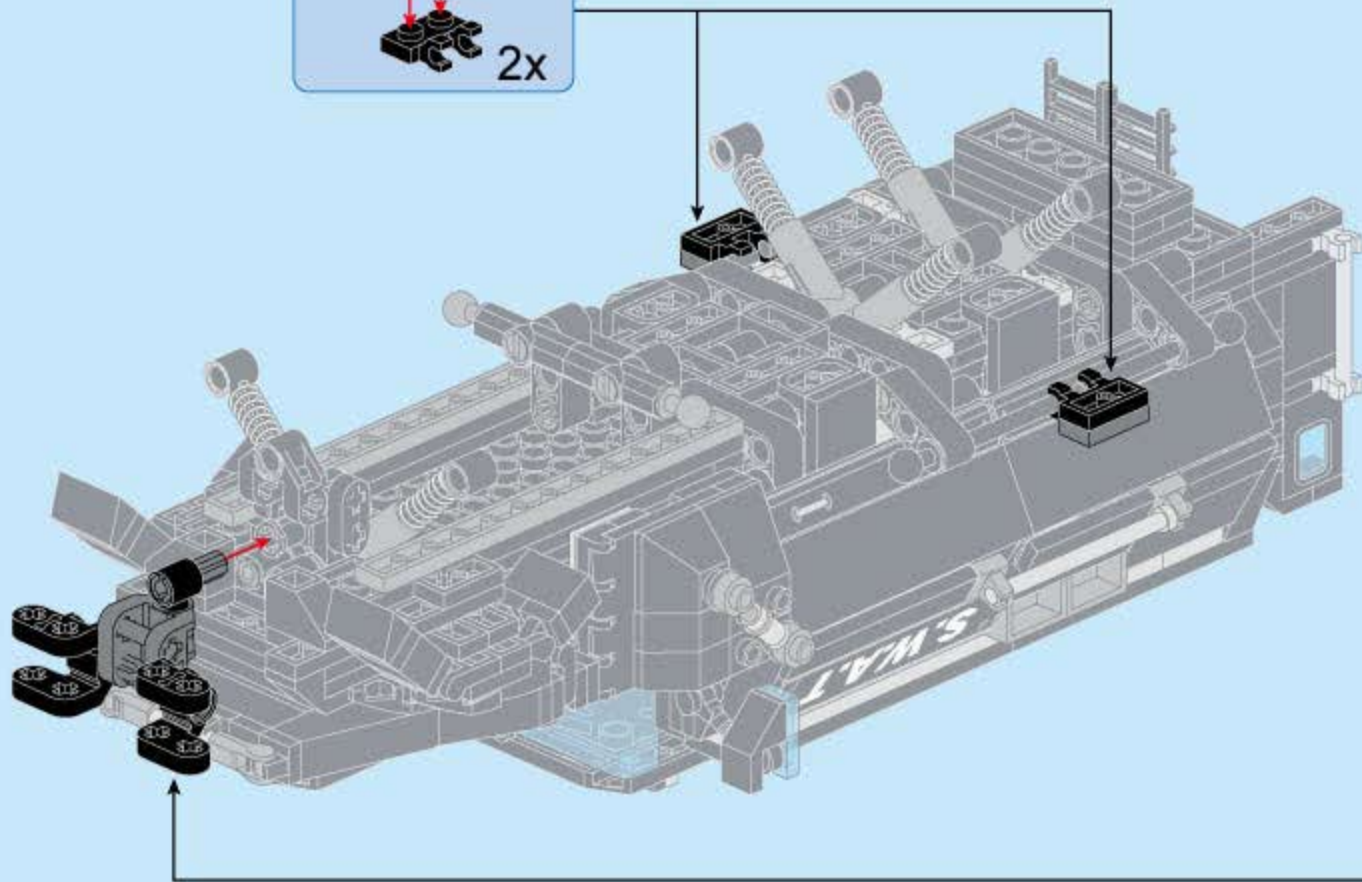
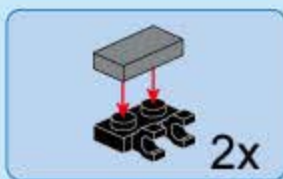
2



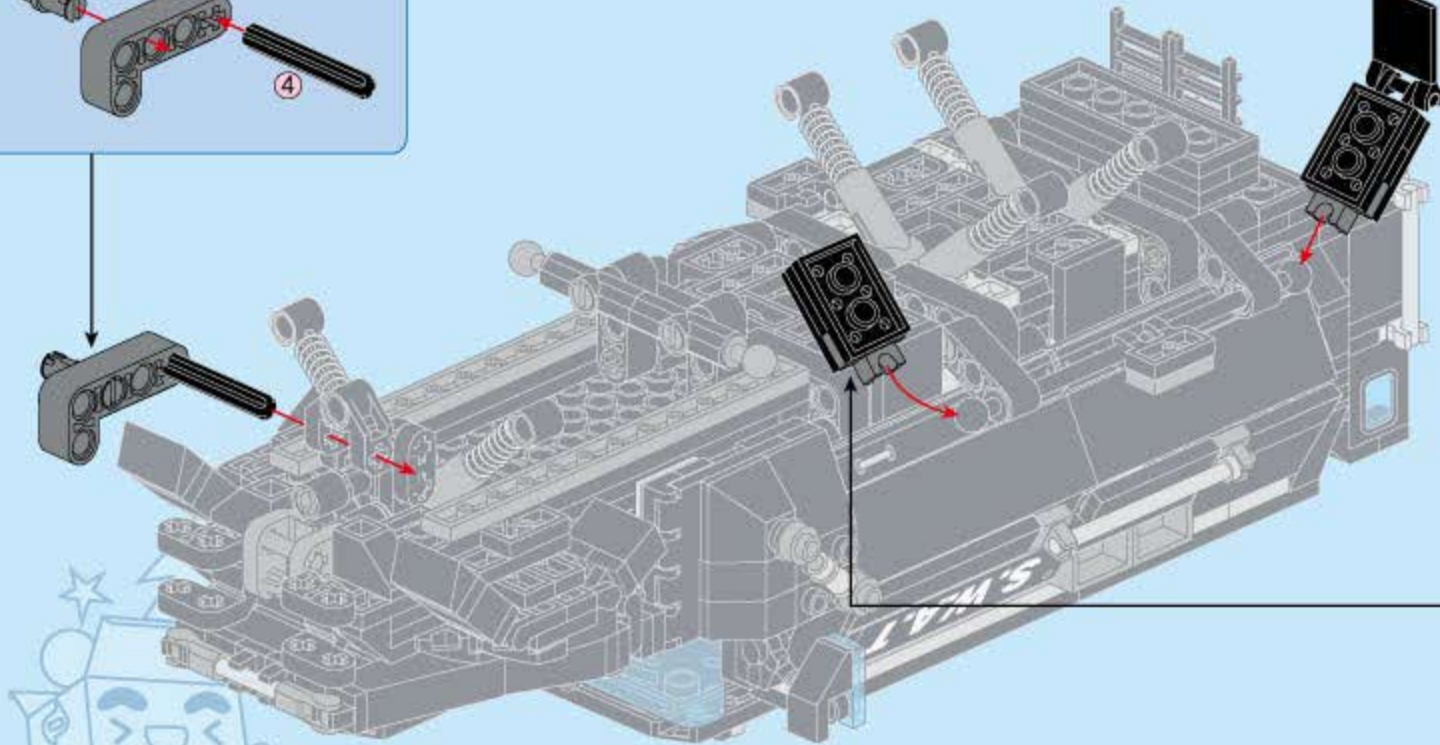
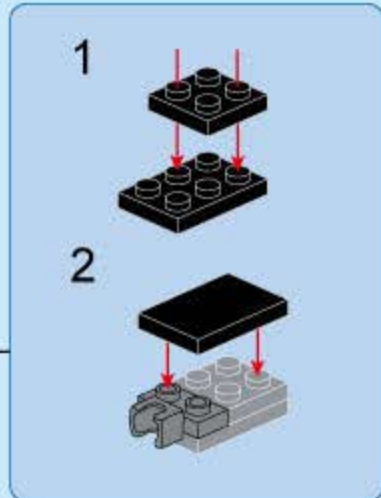
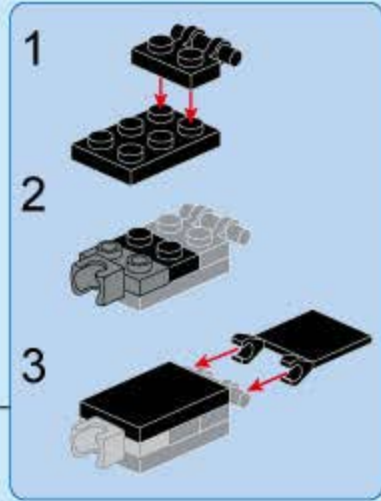
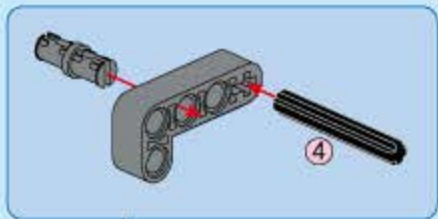
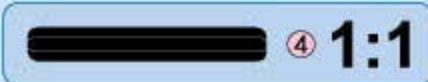
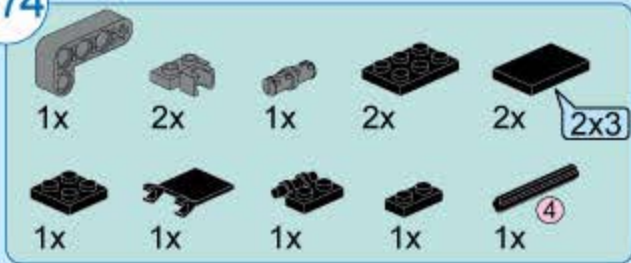
B72



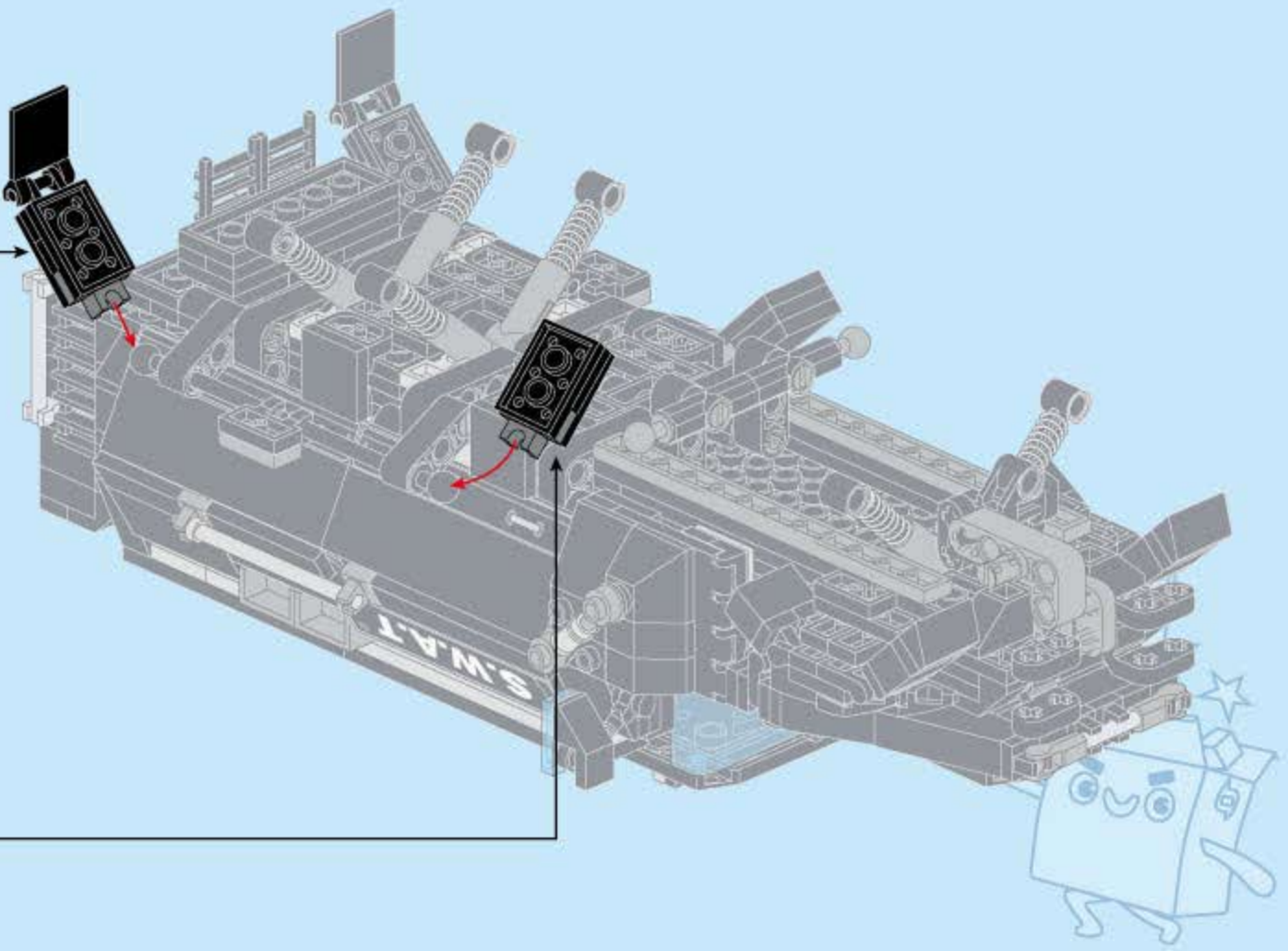
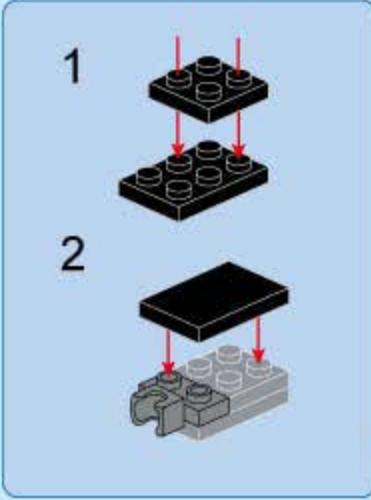
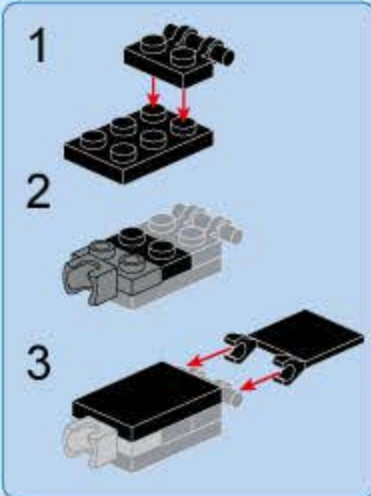
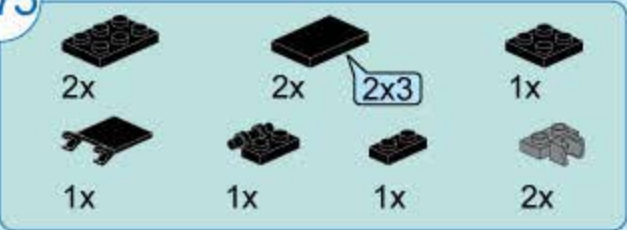
B73



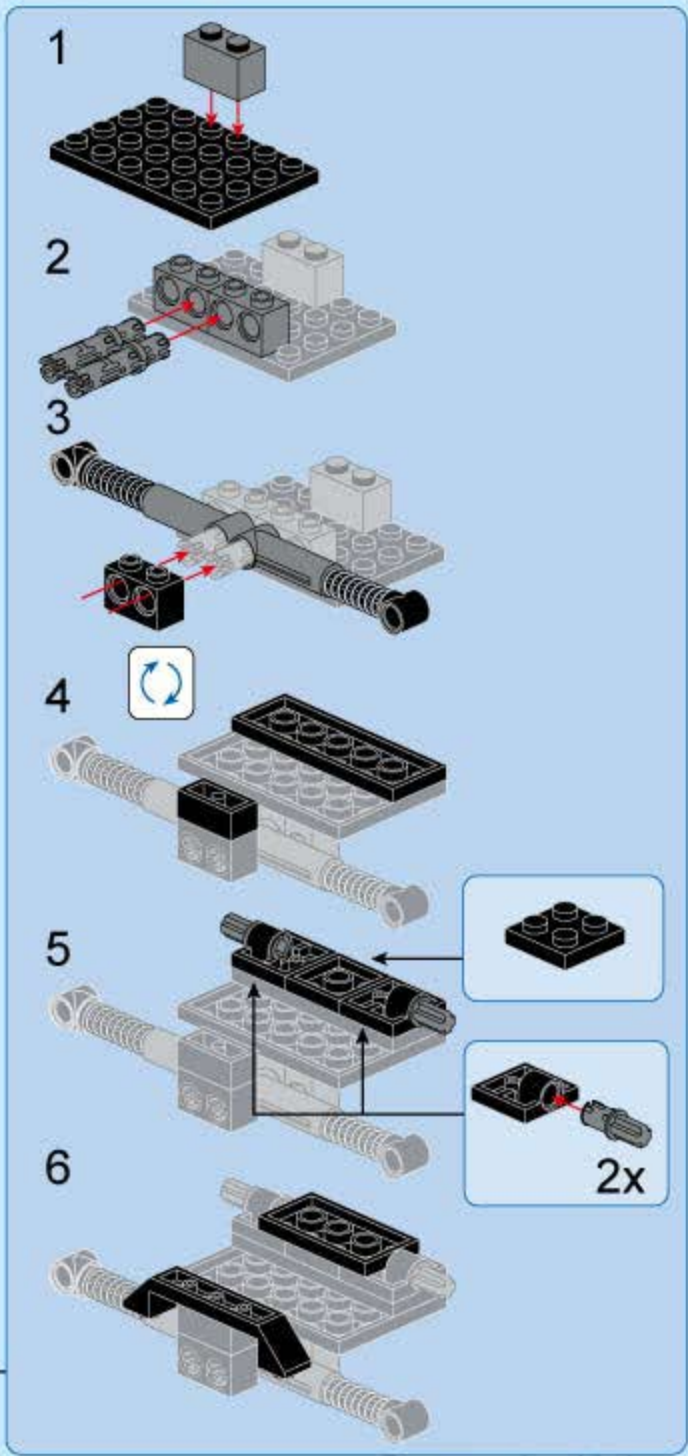
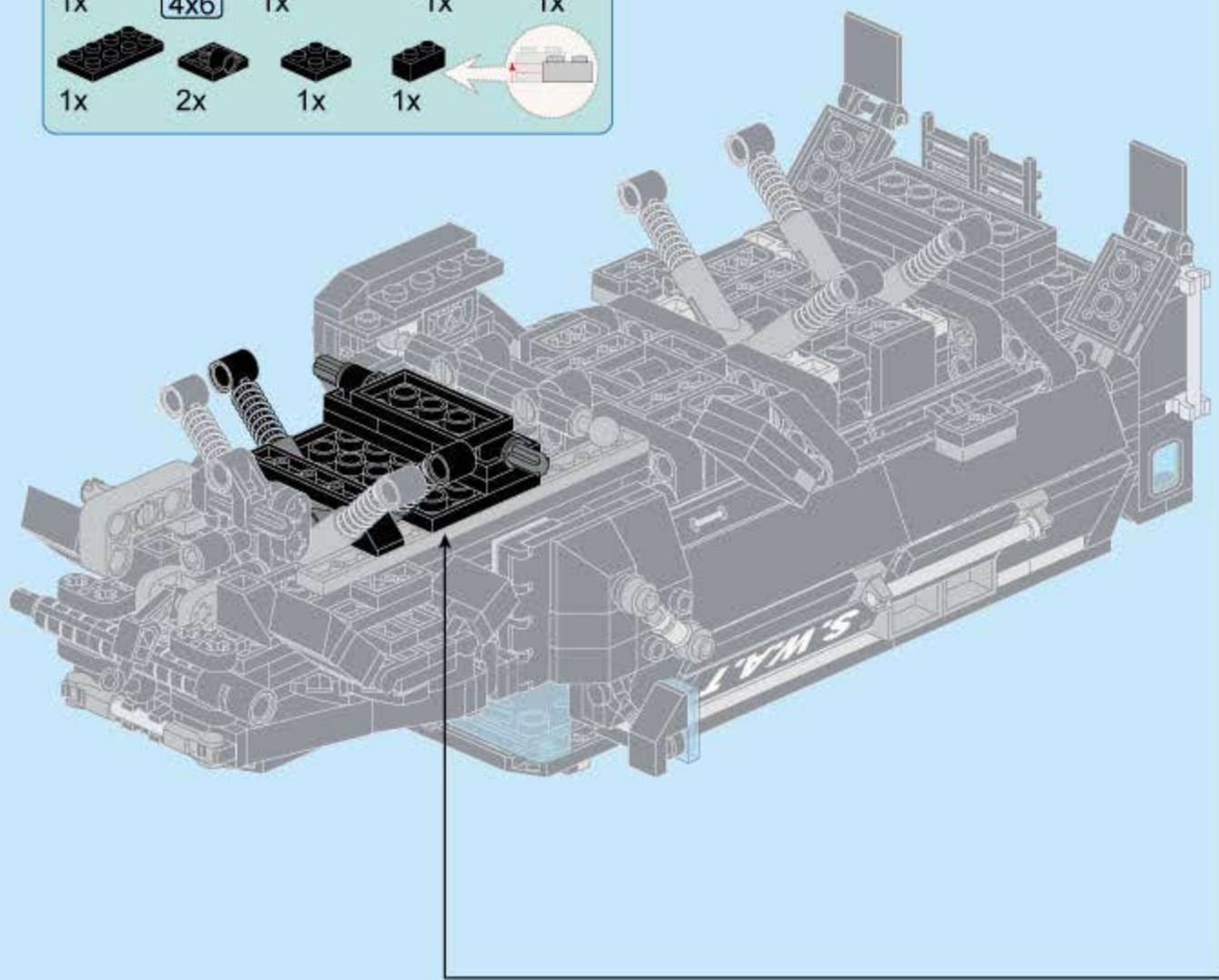
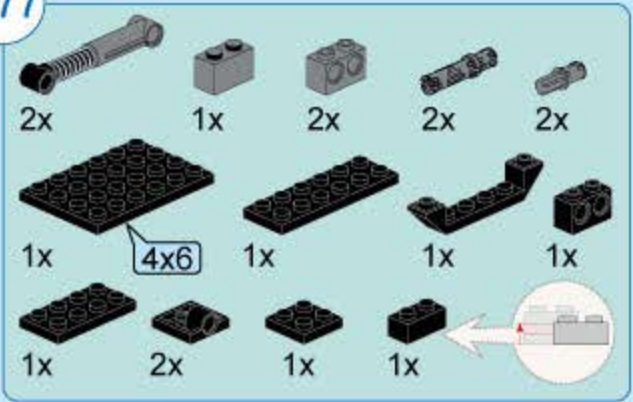
B74



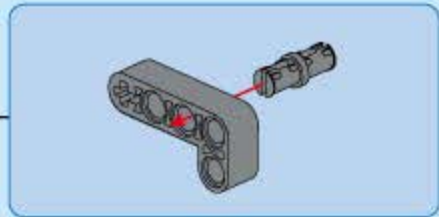
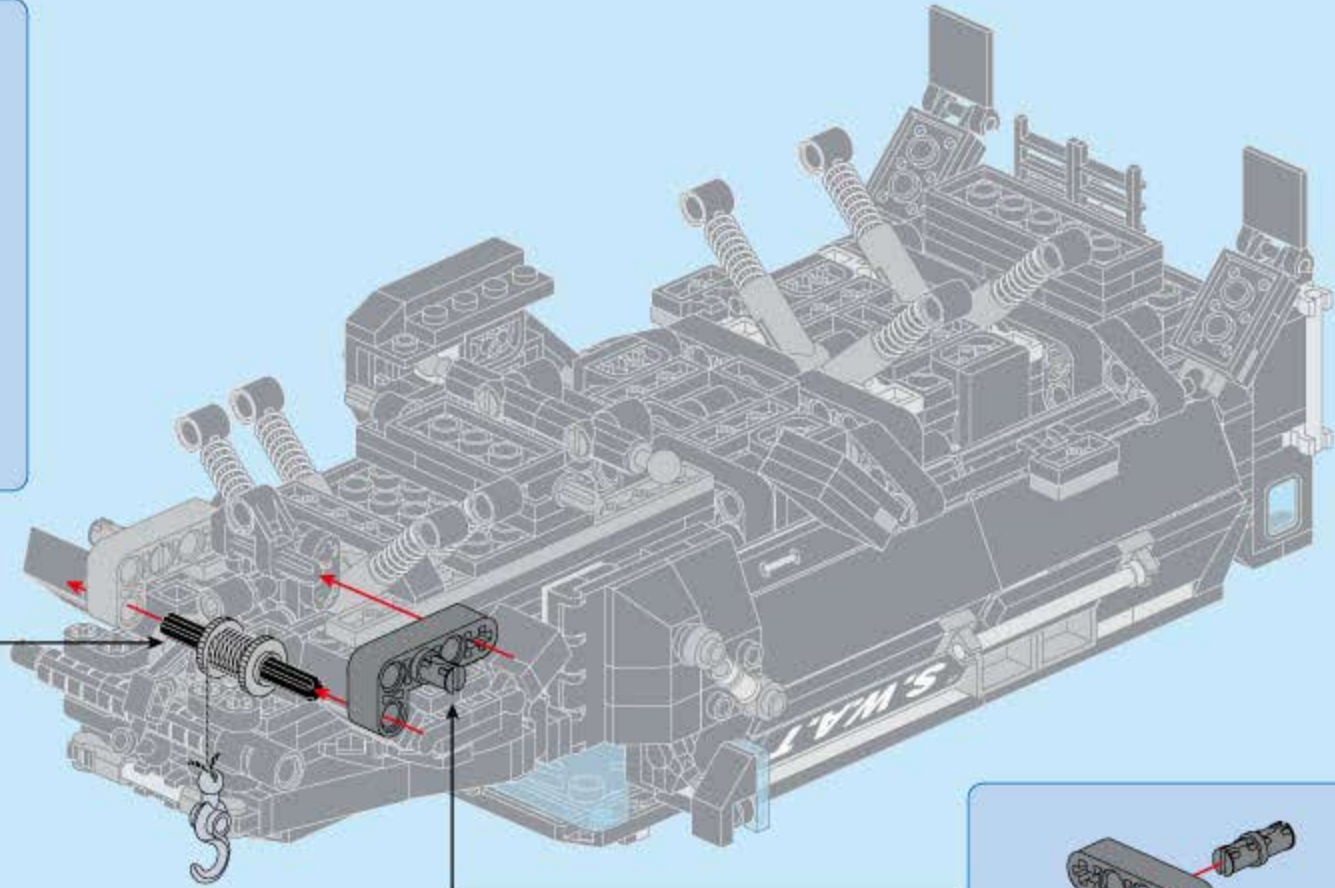
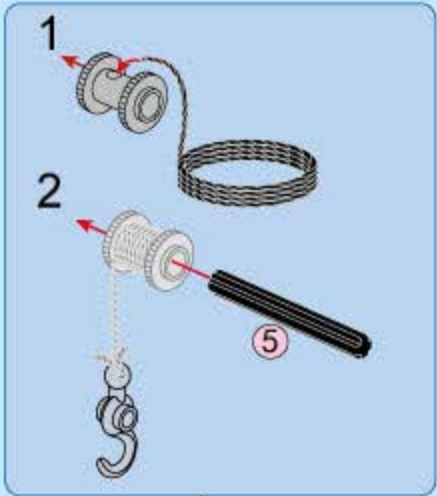
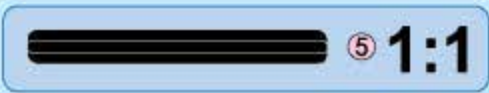
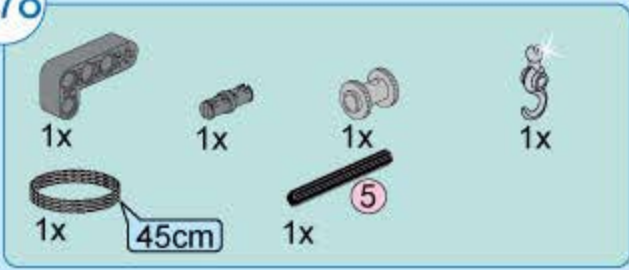
B75



B77



B78





B80



2x



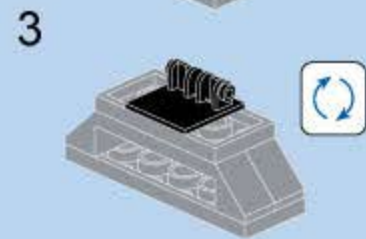
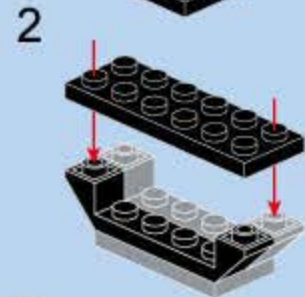
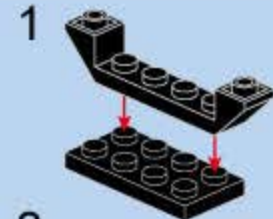
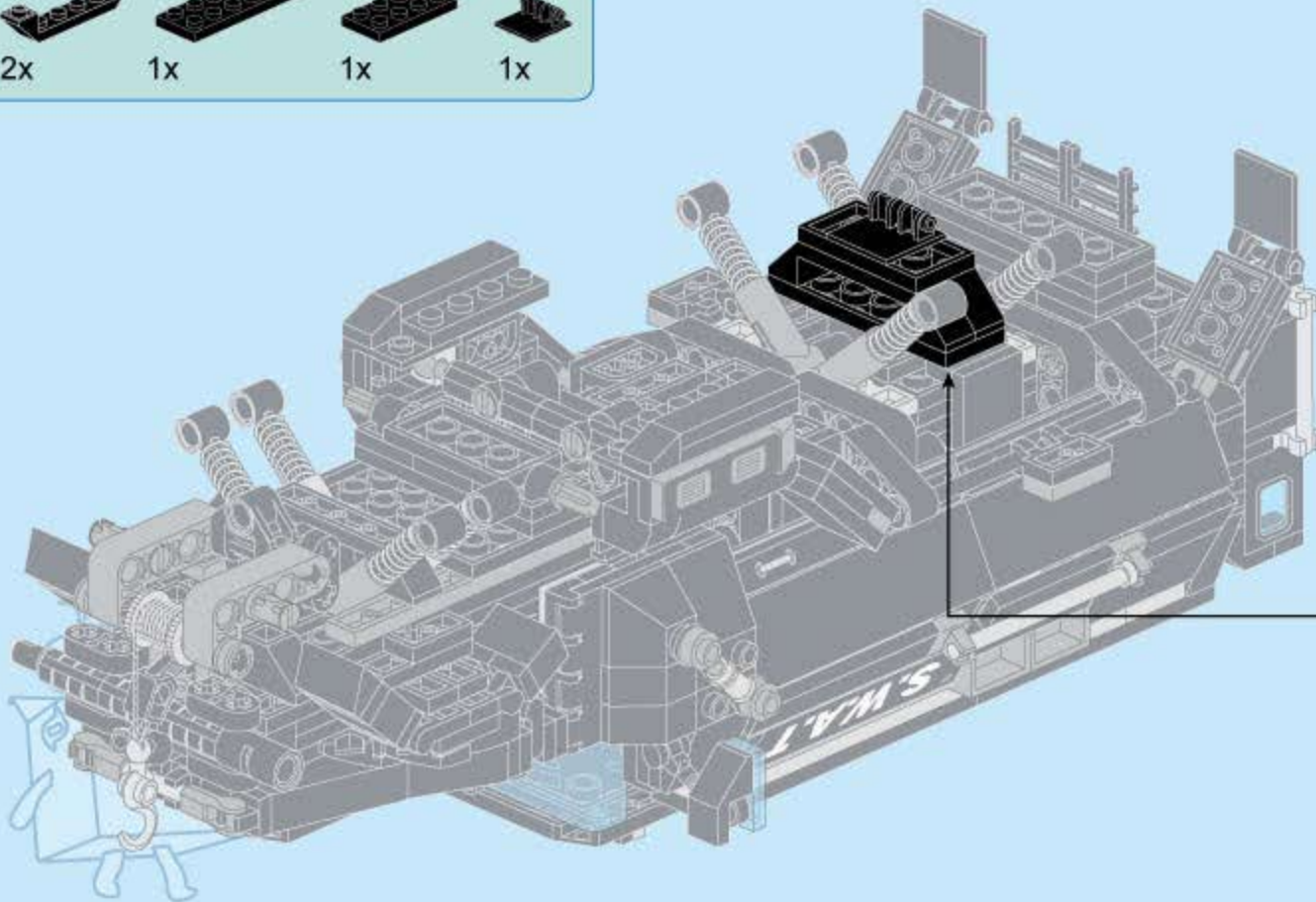
1x



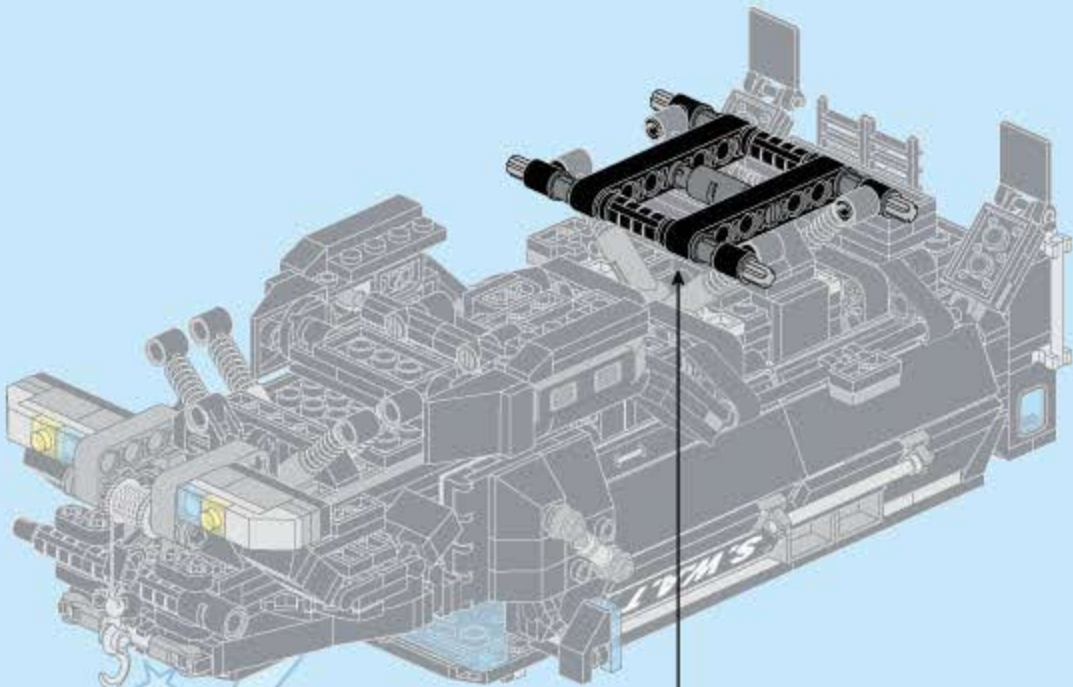
1x



1x



- 2x [Black Technic Beam 1x7 with 7 Holes]
- 1x [Grey Technic Pin with Friction Ridge]
- 4x [Black Technic Pin with Friction Ridge]
- 1x [Grey Technic Pin with Friction Ridge]
- 4x [Black Technic Pin with Friction Ridge]
- 1x [Black Technic Pin with Friction Ridge]
- 2x [Black Technic Pin with Friction Ridge]
- 4x [Black Technic Pin with Friction Ridge]



1 Insert a grey Technic pin with friction ridge into a black Technic pin with friction ridge.

2 Insert the assembly from step 1 into a hole on a black Technic beam (1x7 with 7 holes).

3 Insert a black Technic pin with friction ridge into a hole on the black Technic beam. A callout box shows 2x of this pin.

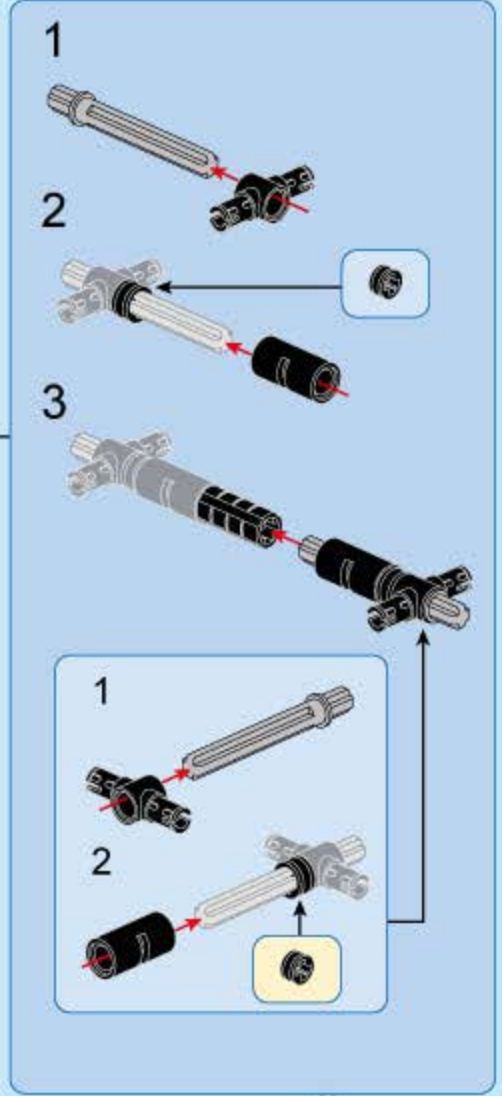
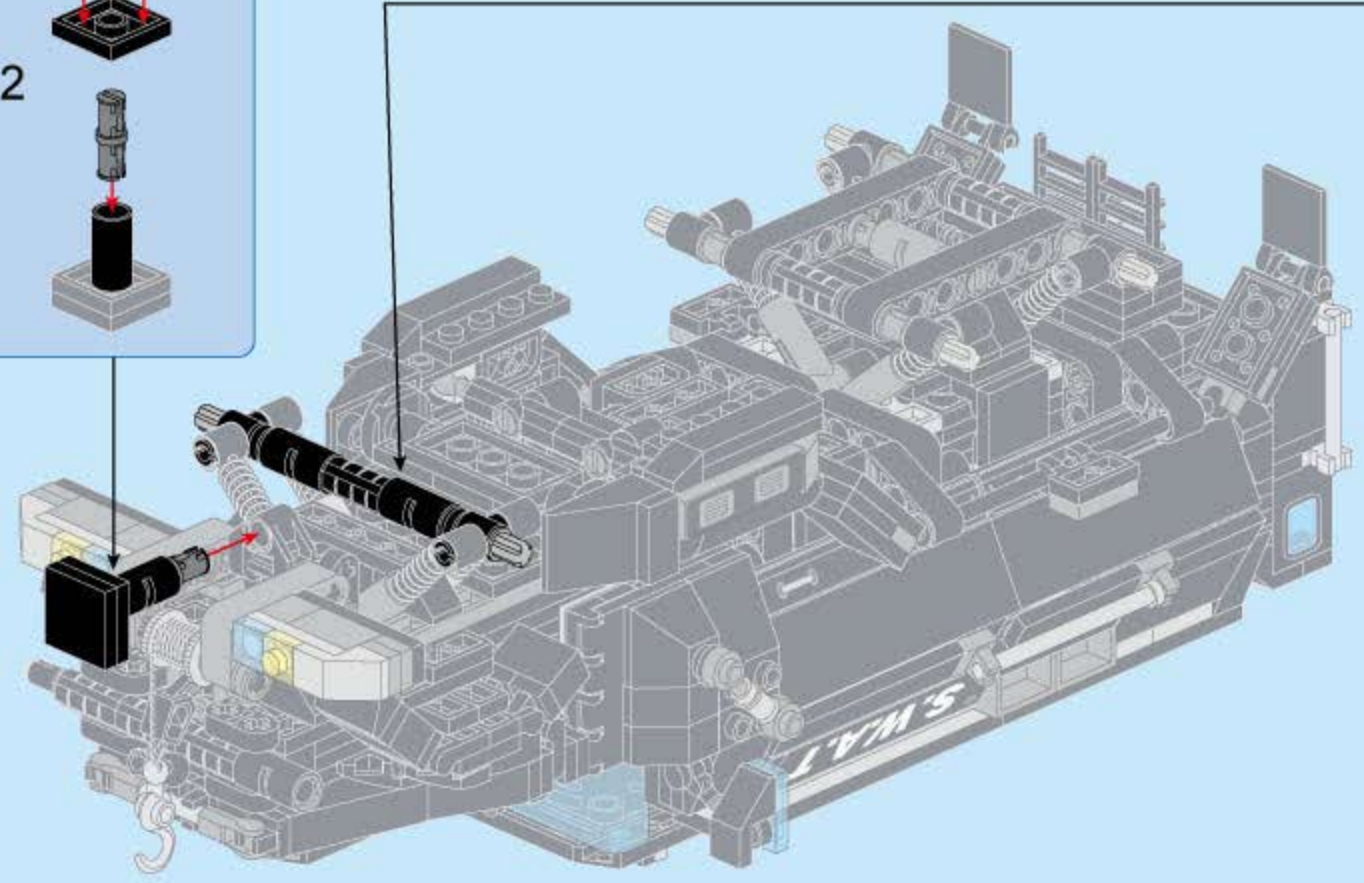
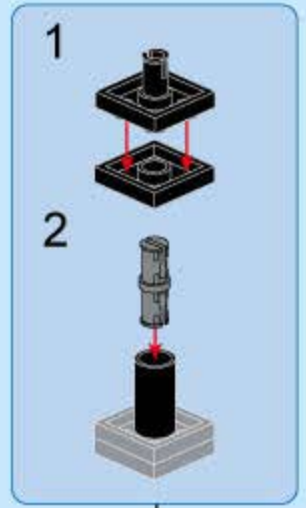
4 Insert a grey Technic pin with friction ridge into a hole on the black Technic beam.

5 Insert a black Technic pin with friction ridge into a hole on the black Technic beam. A callout box shows 1x of this pin.

6 The sub-assembly is complete. A callout box shows 2x of the grey Technic pin with friction ridge used in step 1.

B83

- 1x [Technic Pin with Friction Ridge]
- 2x [Technic Axle]
- 3x [Technic Bush]
- 1x [Technic Plate 1x4]
- 2x [Technic Pin with Friction Ridge]
- 2x [Technic Pin with Friction Ridge]
- 1x [Technic Pin with Friction Ridge]
- 1x [Technic Pin with Friction Ridge]



B84



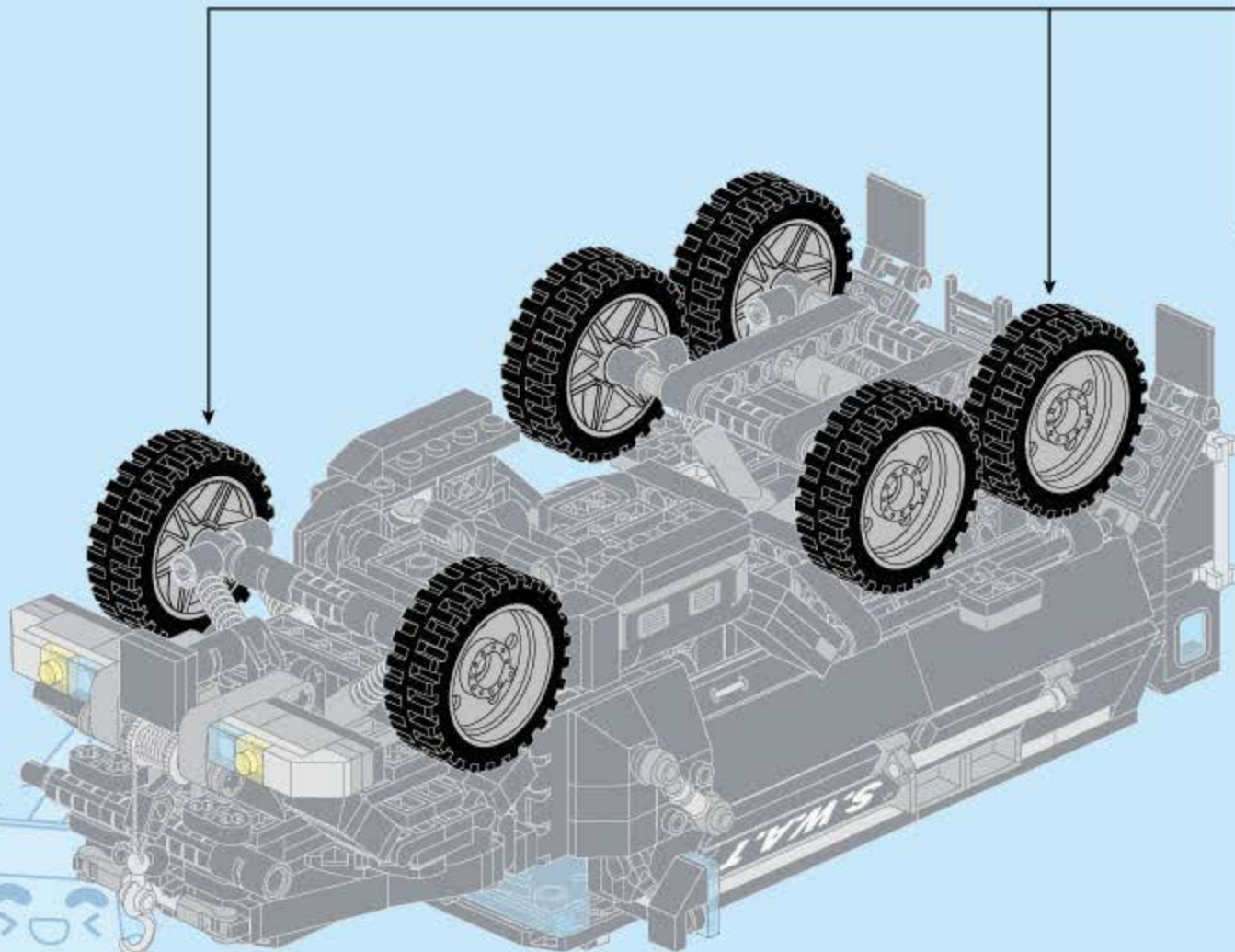
6x



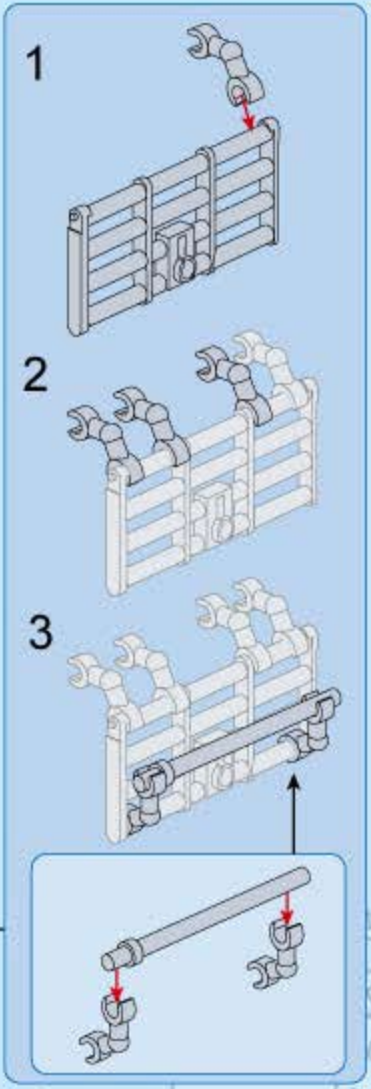
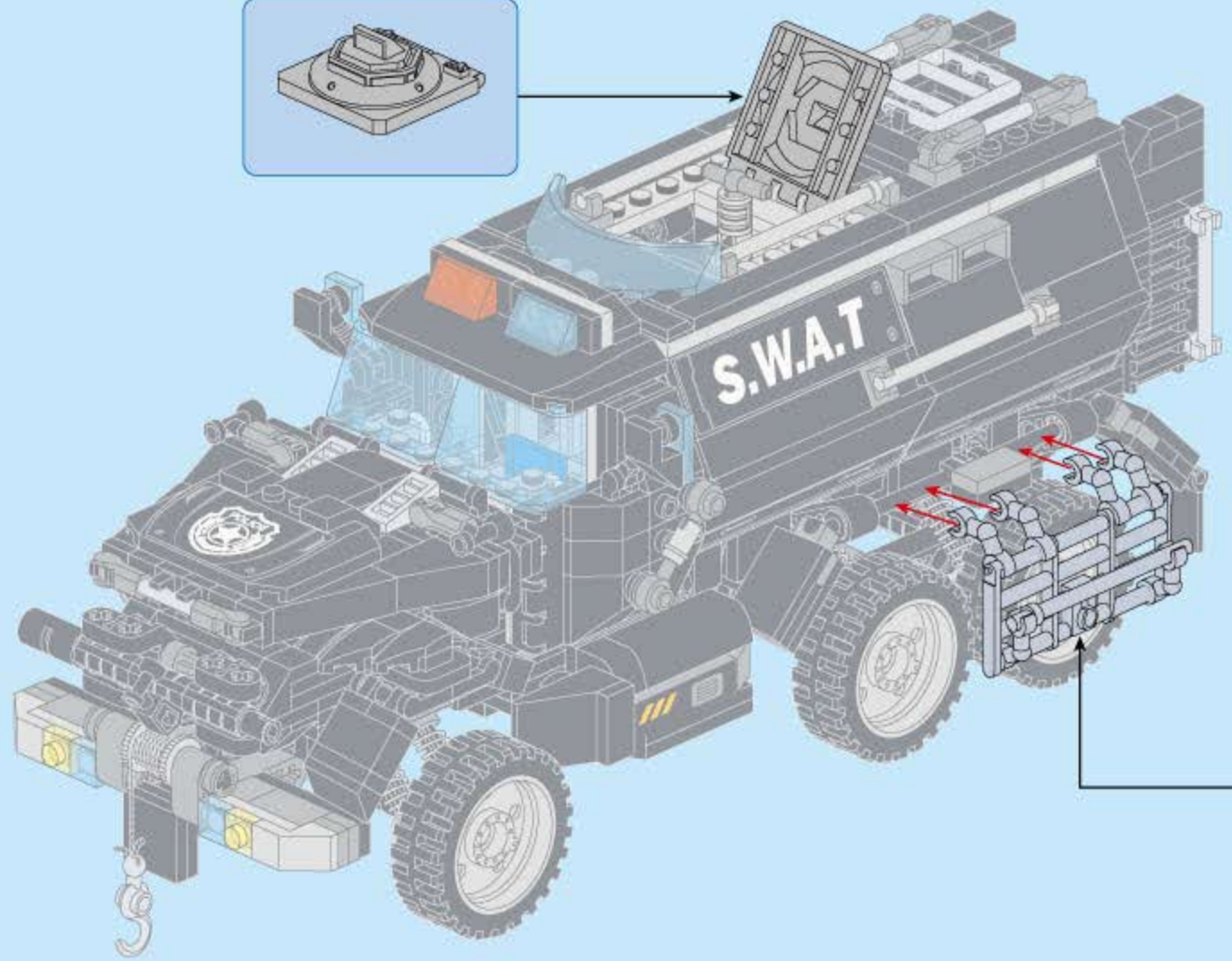
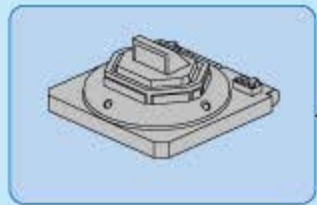
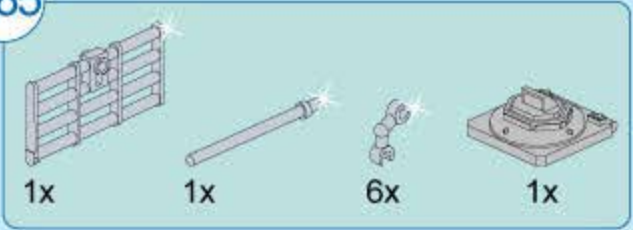
6x



6x

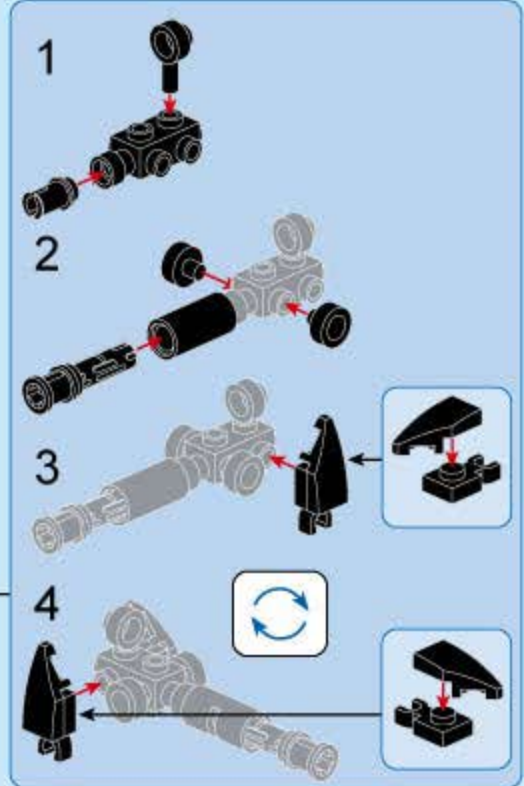
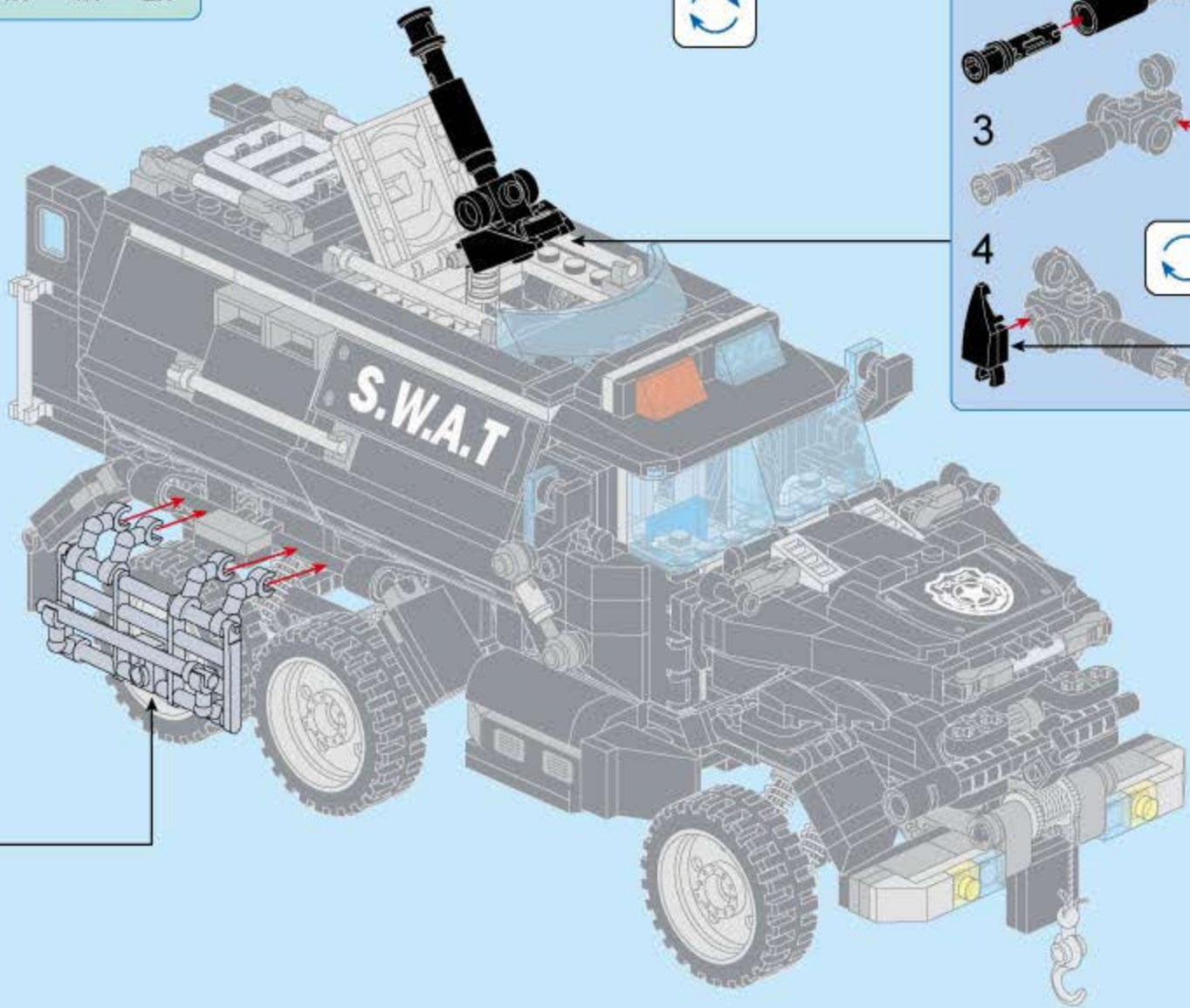
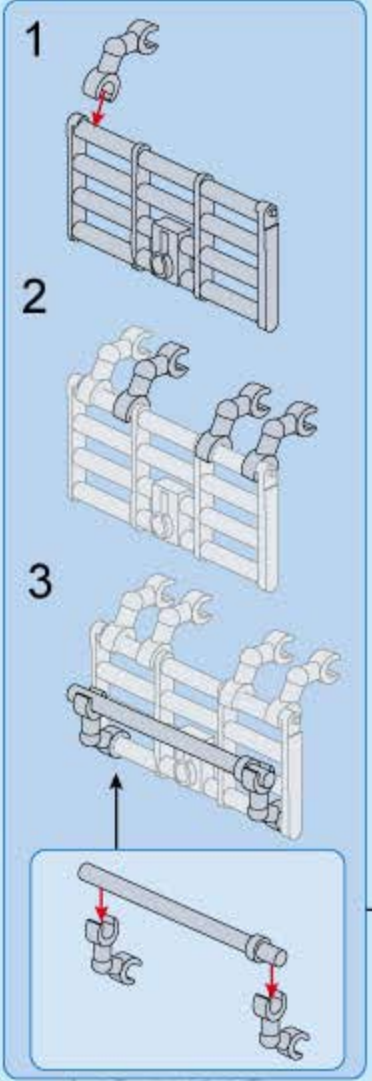


B85

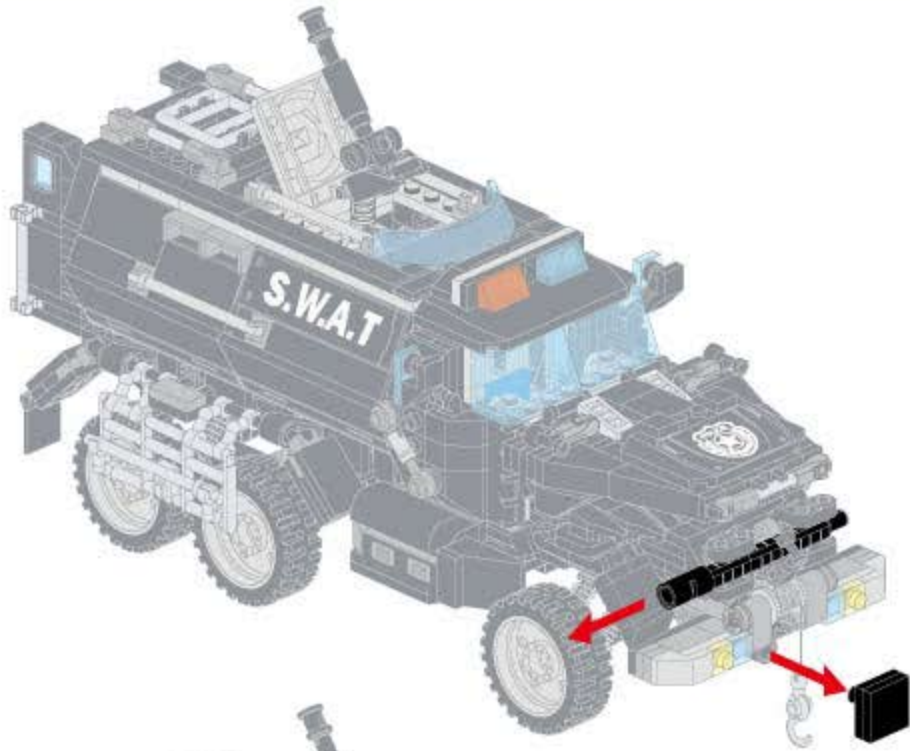


B86

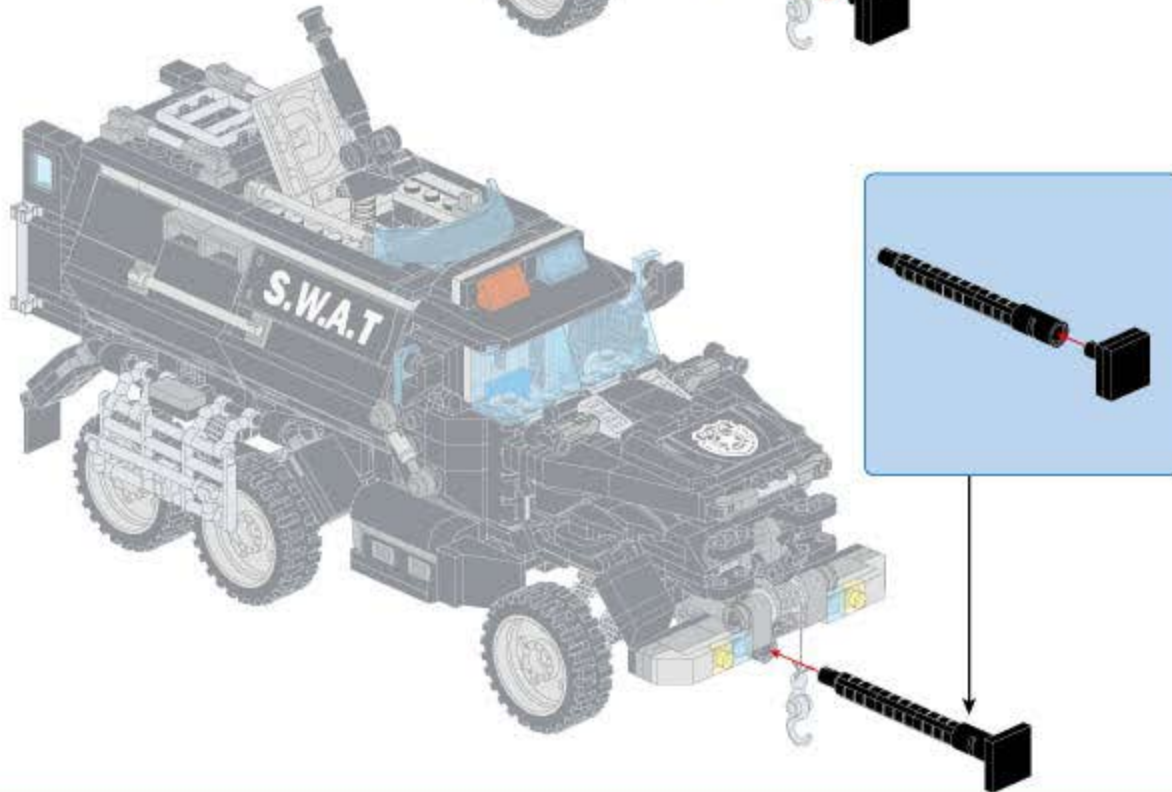
- 1x [Technic Panel 1x5 with 5 Holes]
- 1x [Technic Pin Long]
- 6x [Technic Pin Short]
- 1x [Technic Pin with Friction Ridge]
- 1x [Technic Pin with Friction Ridge]
- 1x [Technic Pin with Friction Ridge]
- 1x [Technic Pin with Friction Ridge]
- 1x [Technic Pin with Friction Ridge]
- 1x [Technic Pin with Friction Ridge]
- 2x [Technic Pin with Friction Ridge]
- 1x [Technic Pin with Friction Ridge]
- 1x [Technic Pin with Friction Ridge]
- 2x [Technic Pin with Friction Ridge]



1



2





POLICE

BATTLE FORCE



1926-1
ROB CASH MACHINE



1926-2
PATROL CAR UNDER ATTACK



1926-3
COATING SUPERCAR



1926-4
TRACE SCENES OF CRIMES



1927 TOOTHED BULLDOZER



1928 BLOCK MISSION-EAGLE



1929 HUNTING DOWN CARRIER VEHICLE



1930 ANTIRIOT ARMORED CAR