

FIRE RESCUE

Qman

2808

Ages: 6+

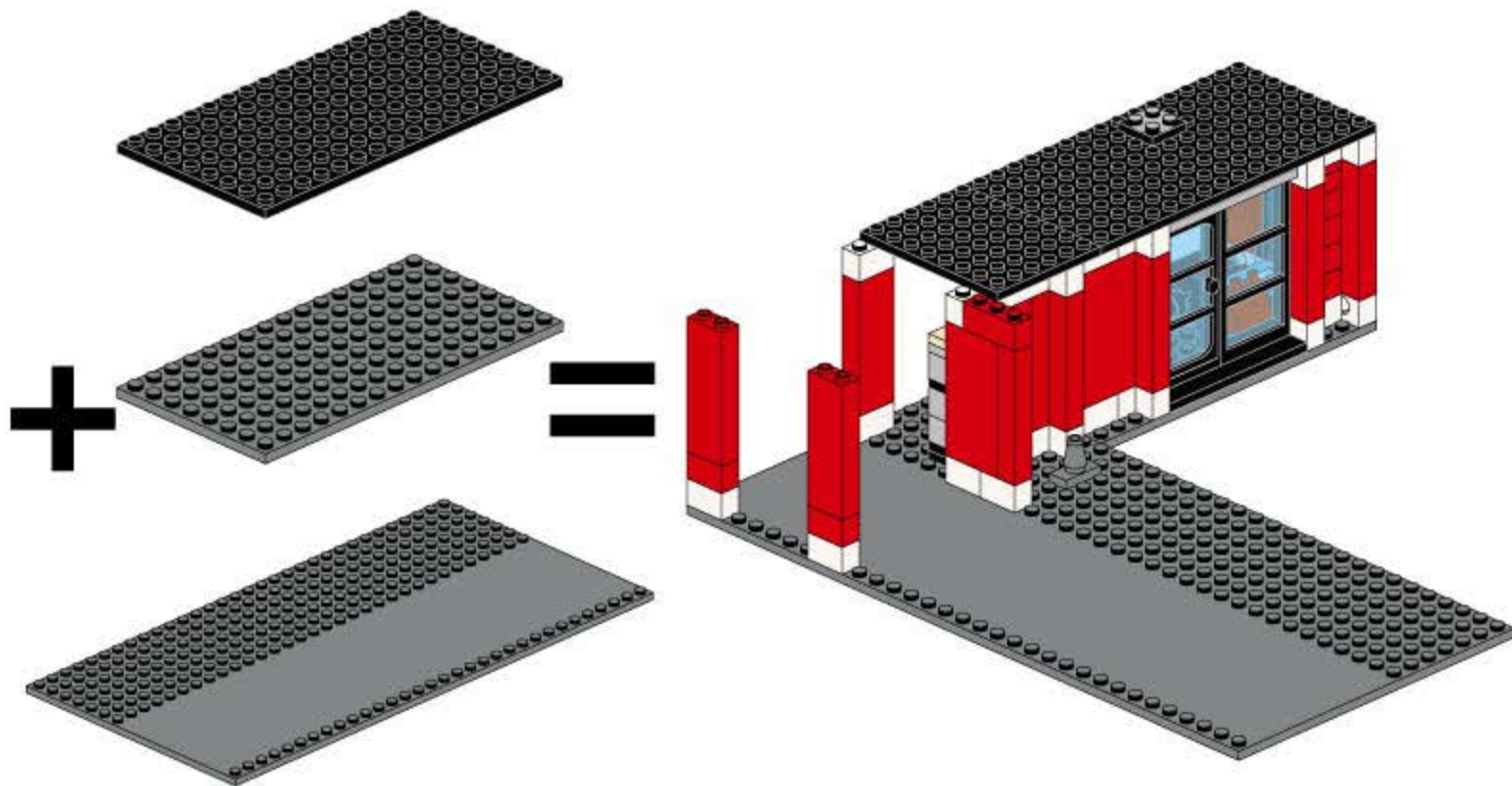
Minifigs: X5

PCS: 523

Building
Interior

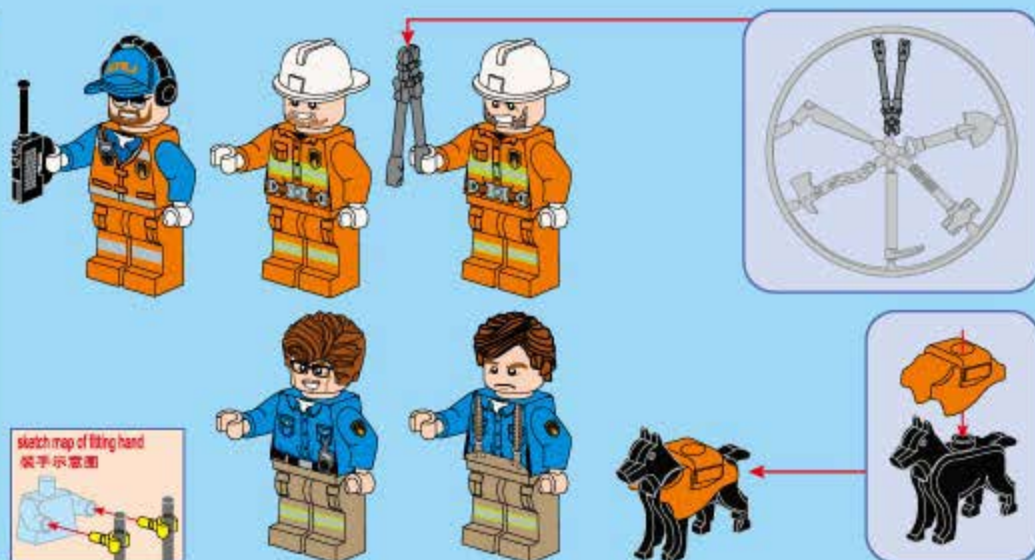
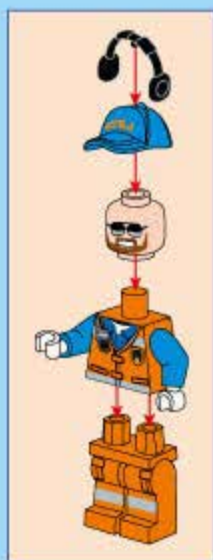
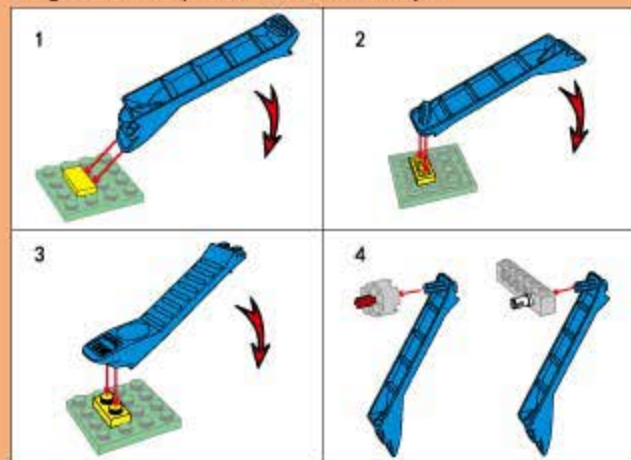


FIRE STATION

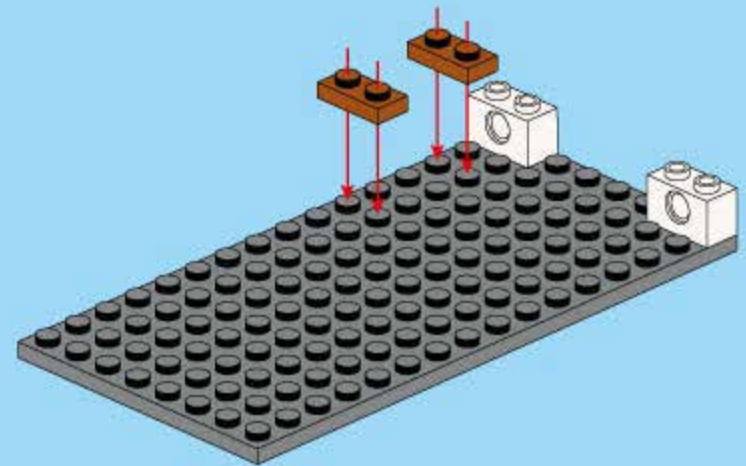
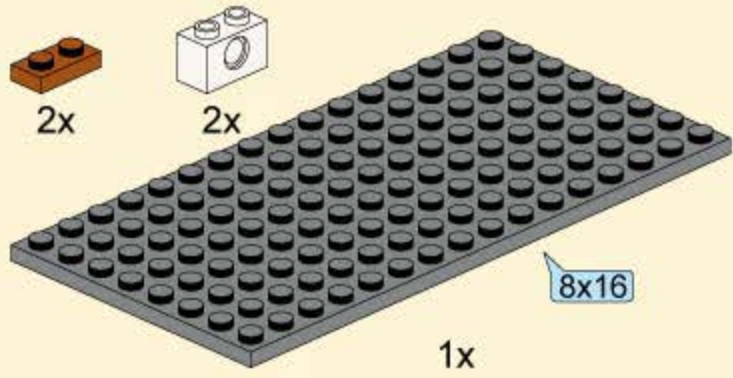


拆件器使用方法, 仅为示例

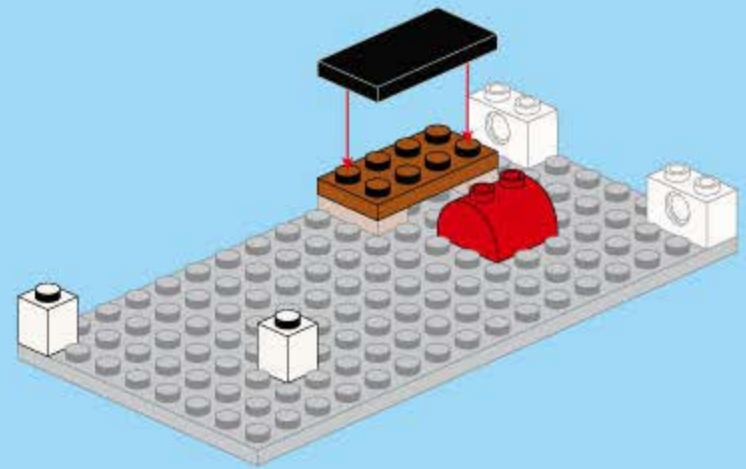
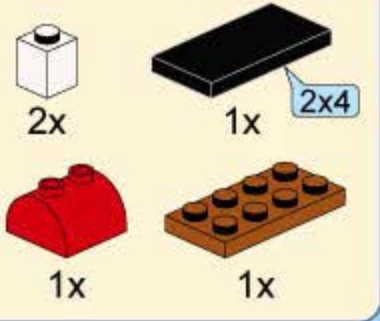
Usage of Brick Separator. Just for the sample



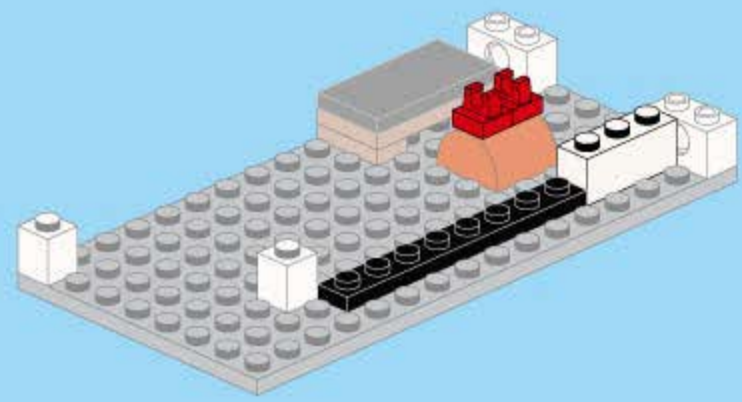
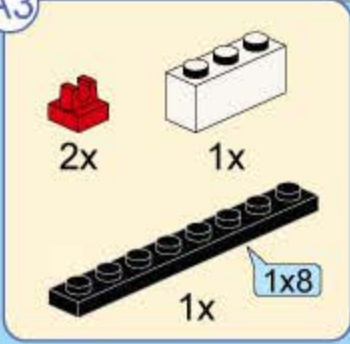
A1



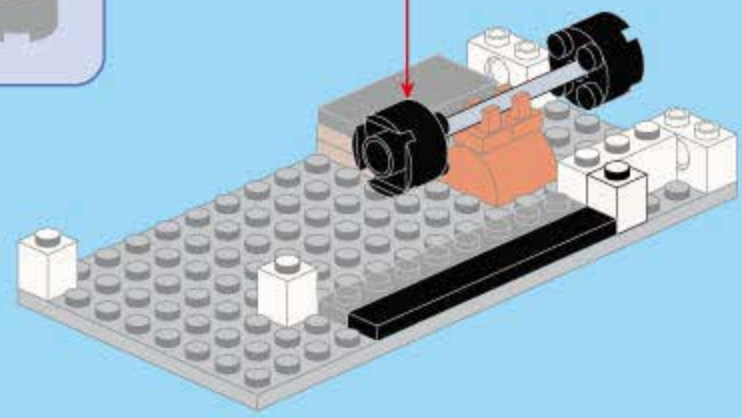
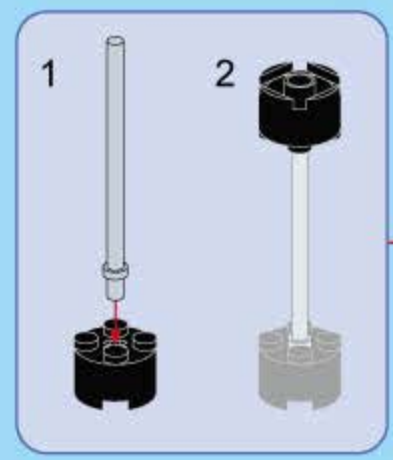
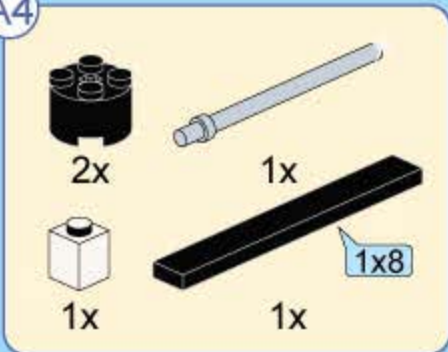
A2



A3



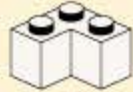
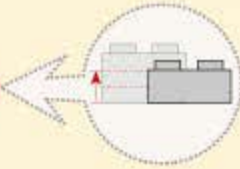
A4



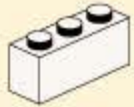
A5



1x



1x



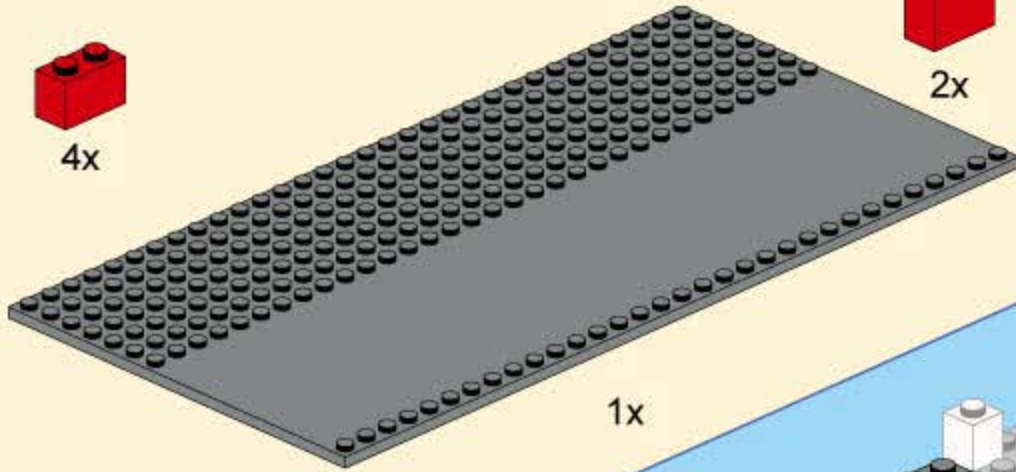
1x



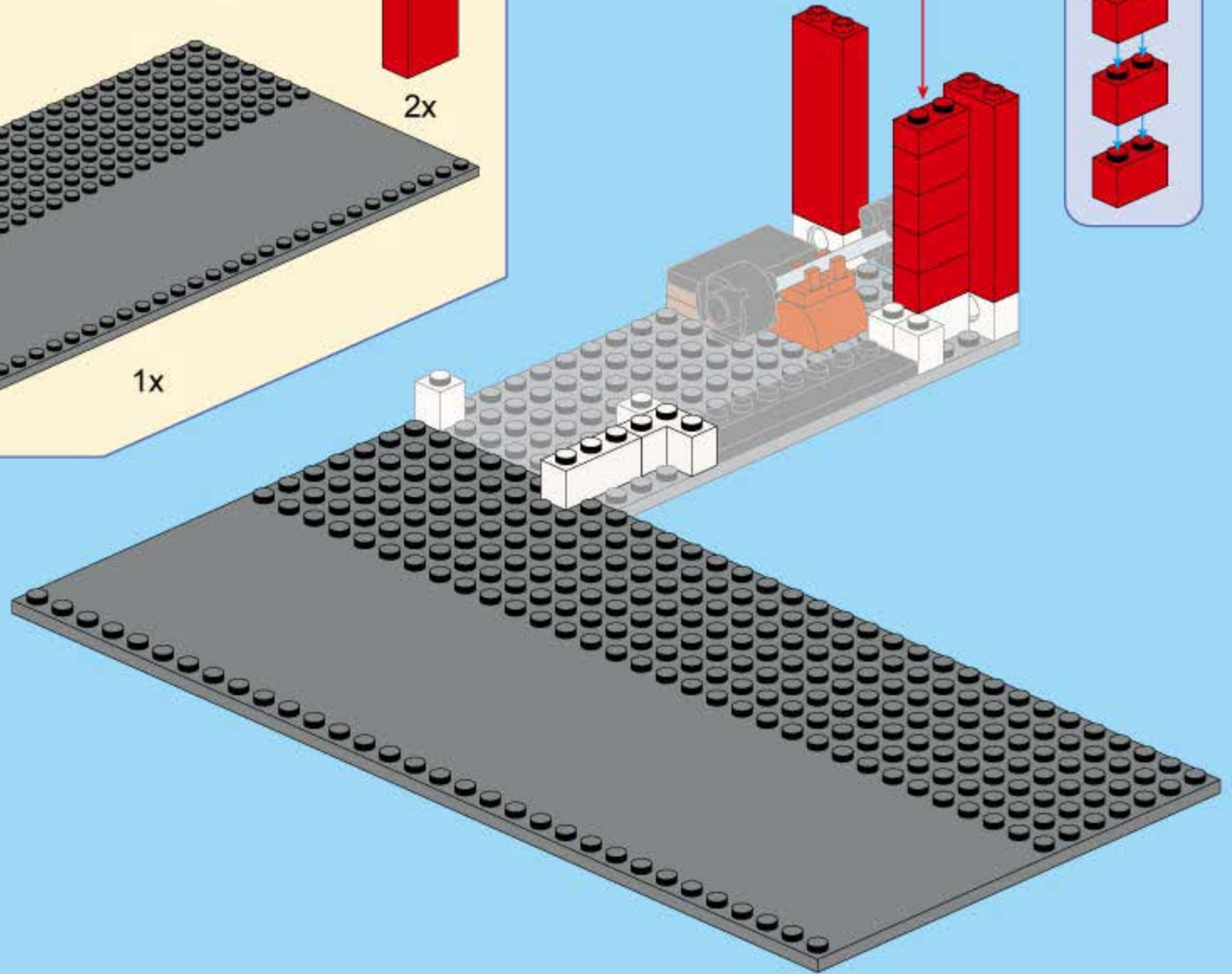
2x



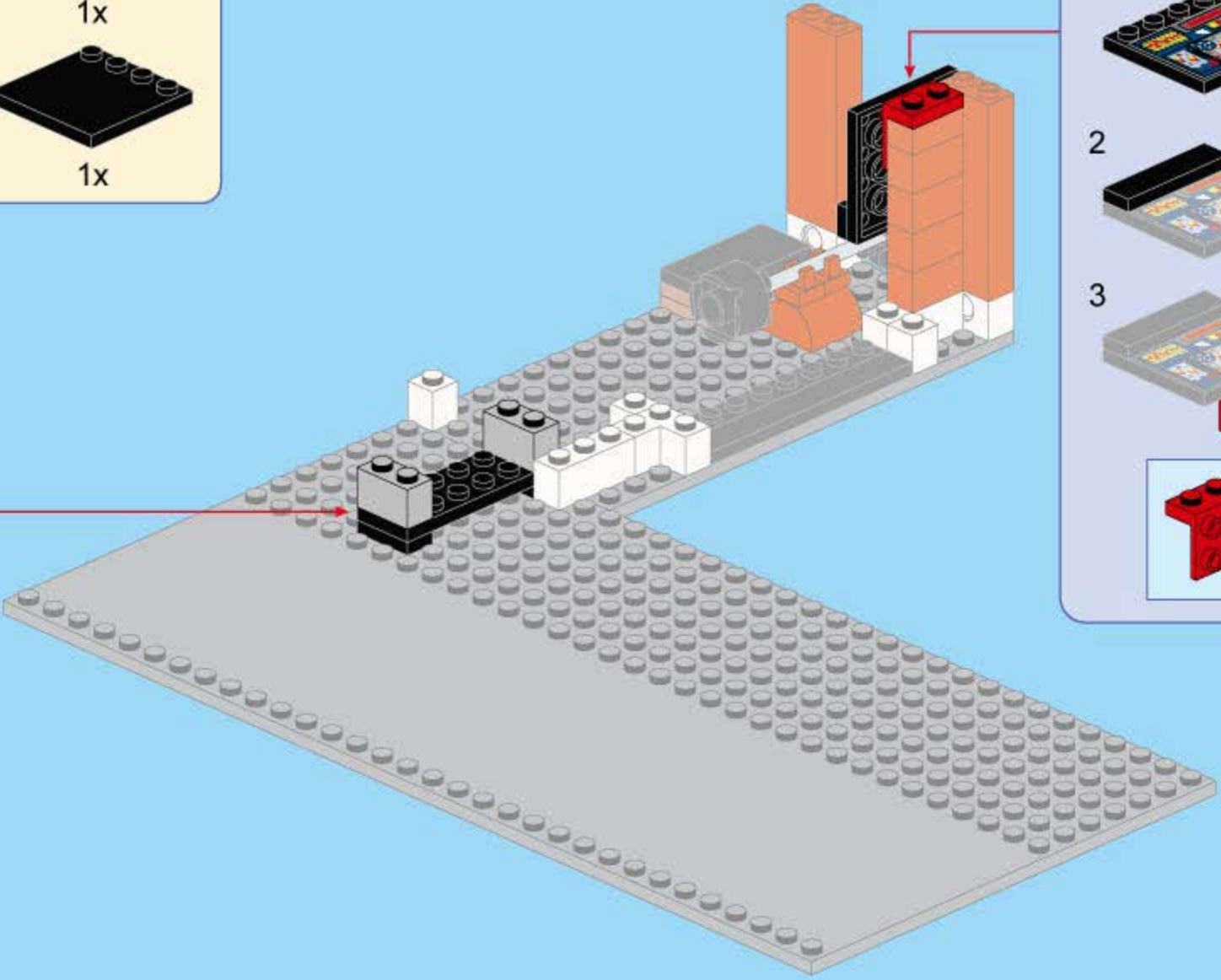
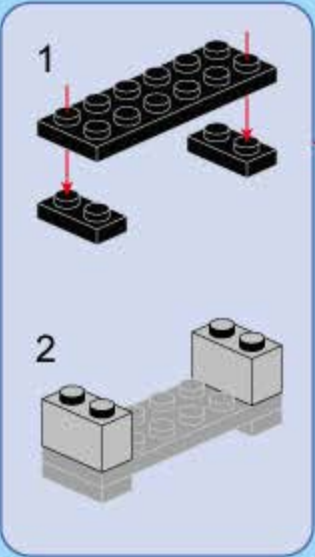
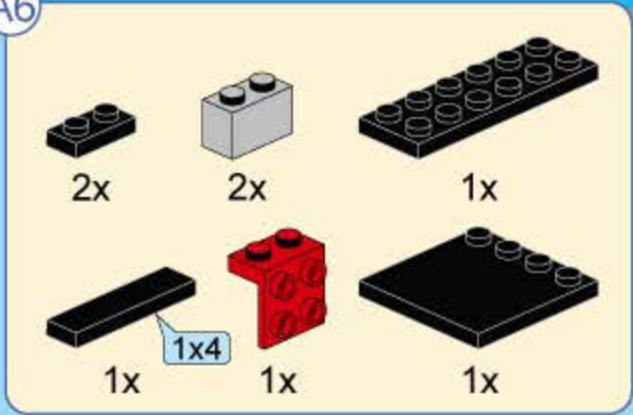
4x













1x




A6

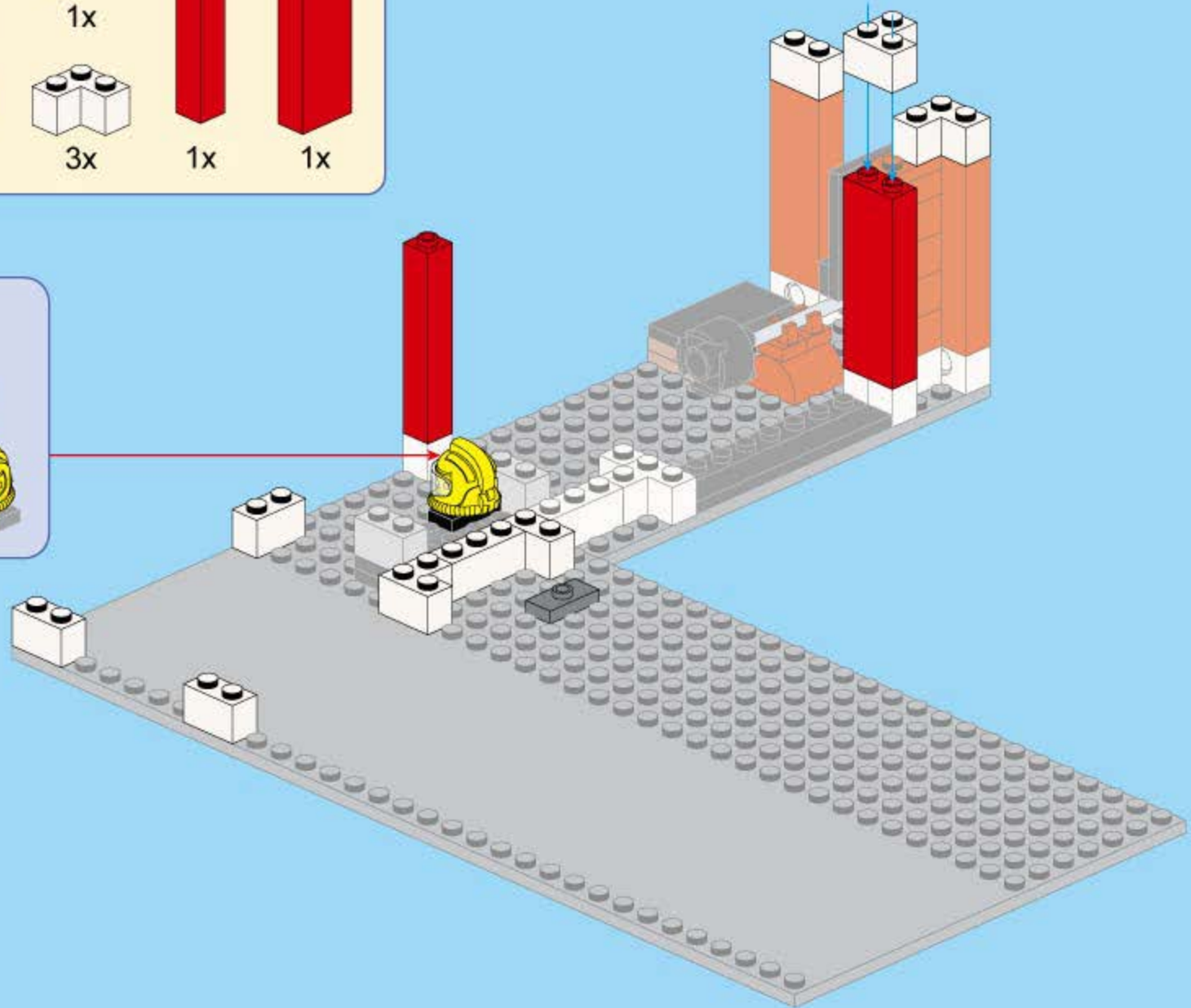


A7

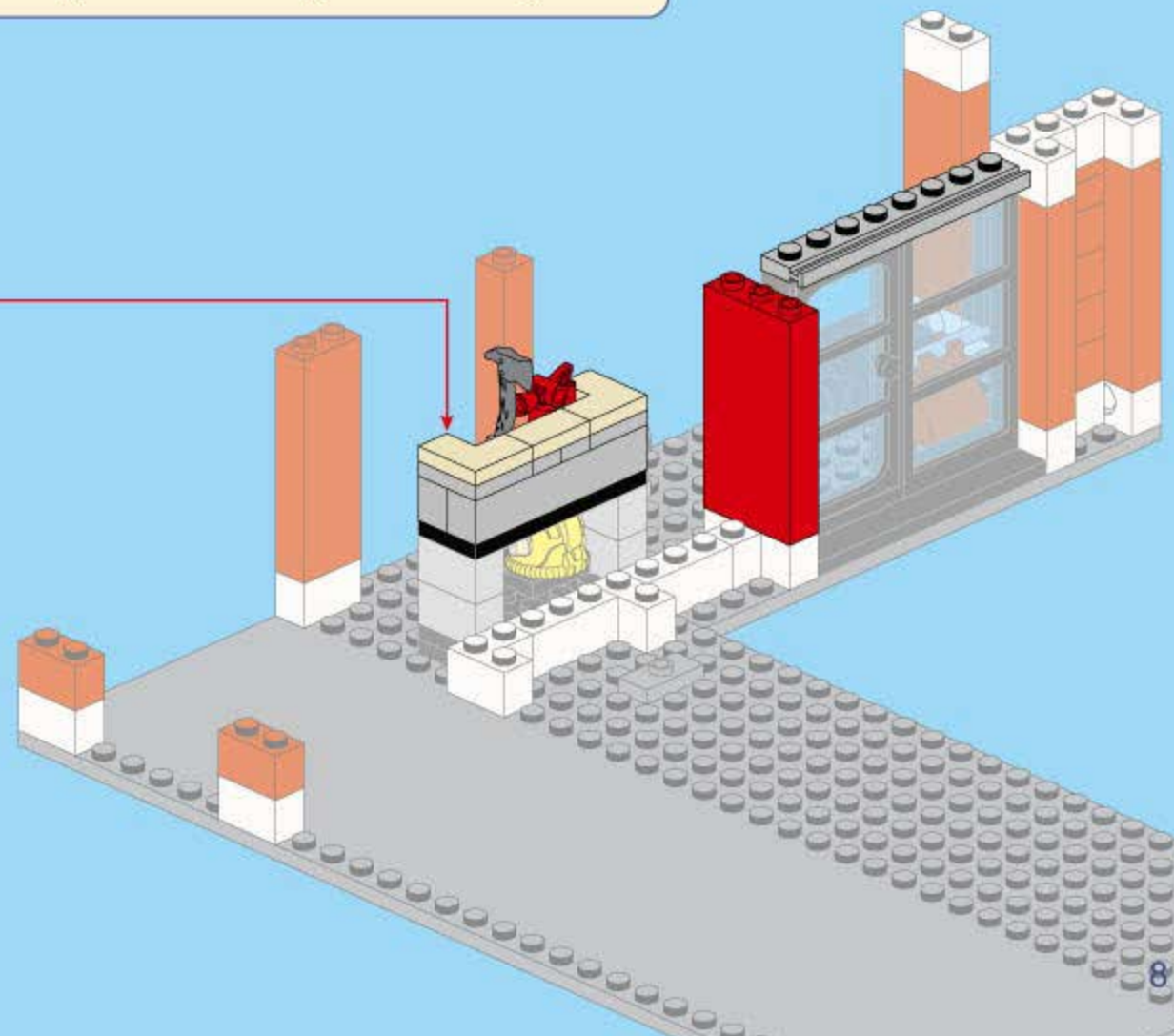
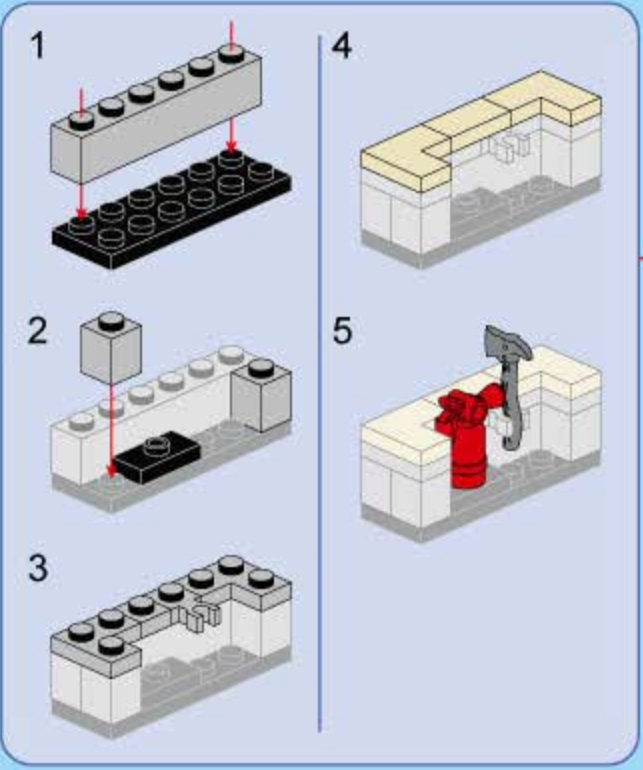
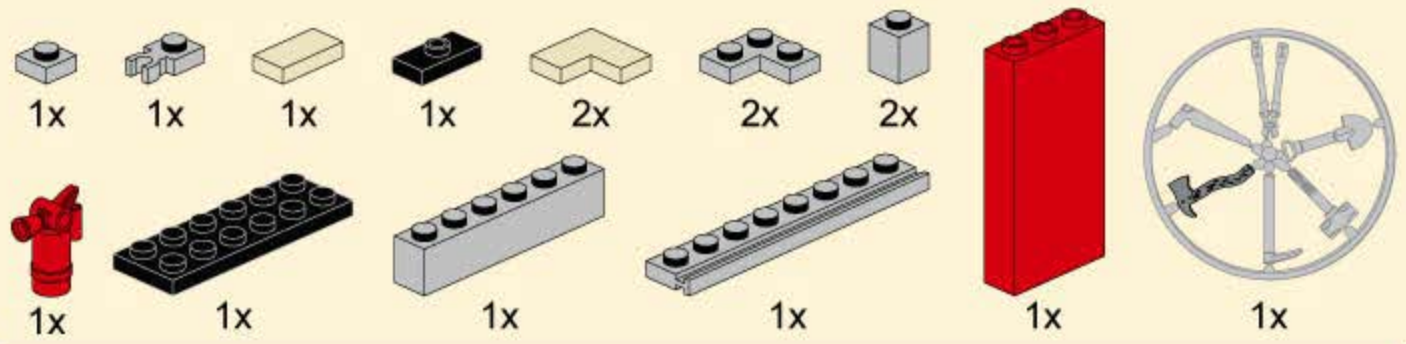
					
1x	1x	1x	1x	1x	1x
					
1x	1x	5x	3x		

1 

2 



A9



A10



1x



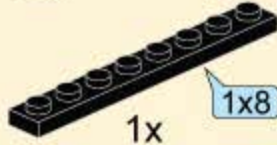
2x



1x



1x



1x

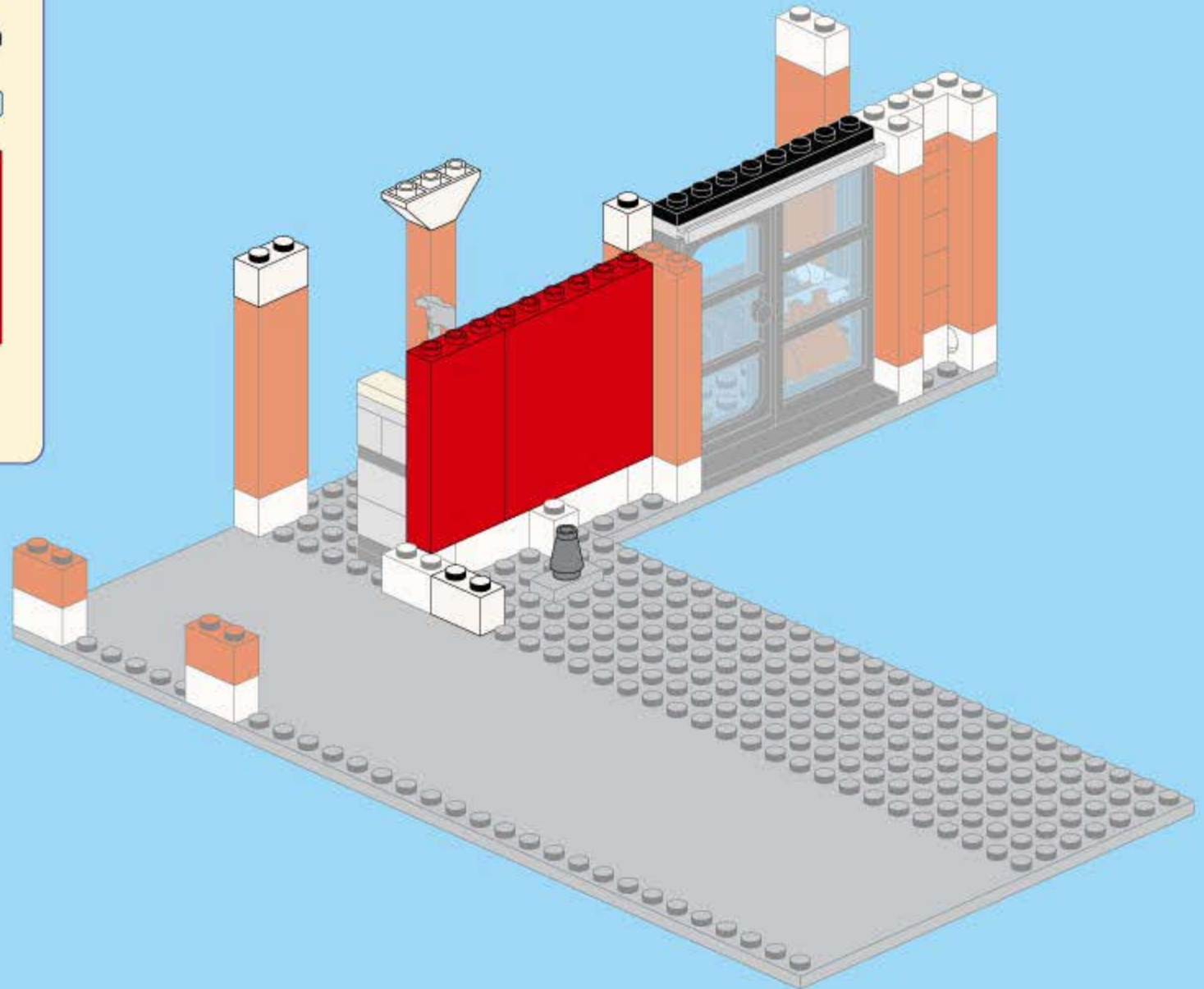
1x8

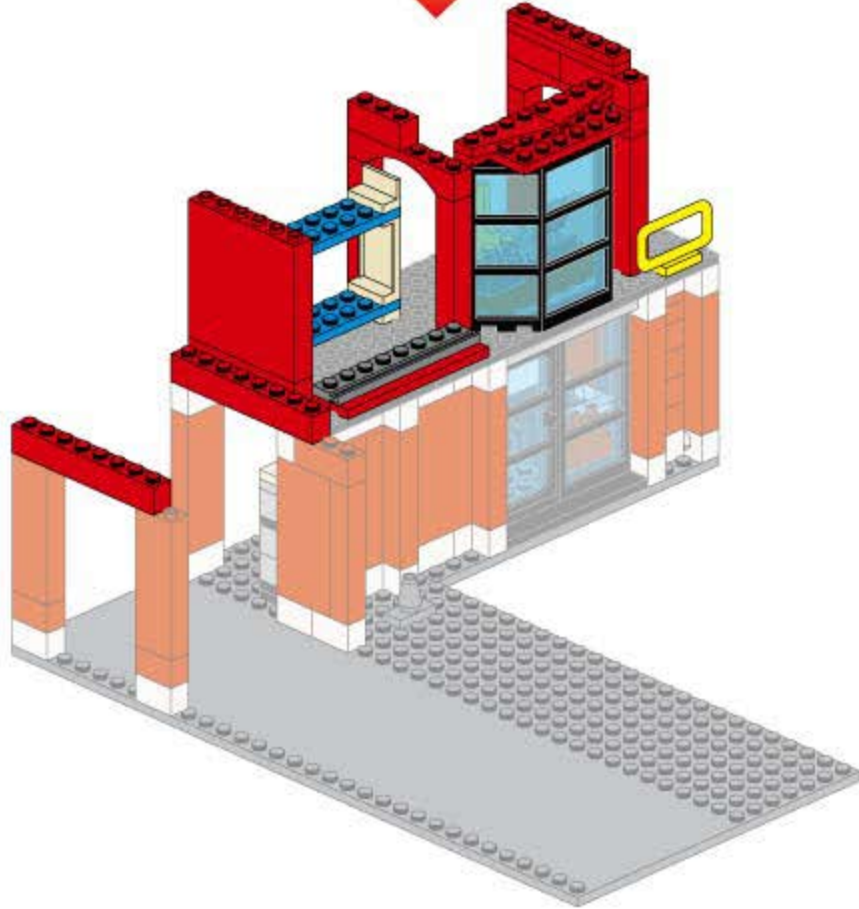


1x

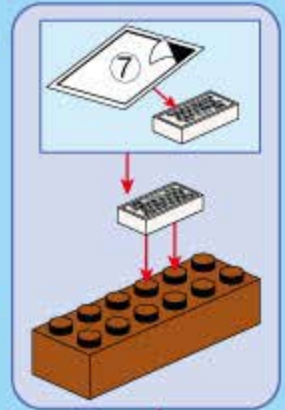
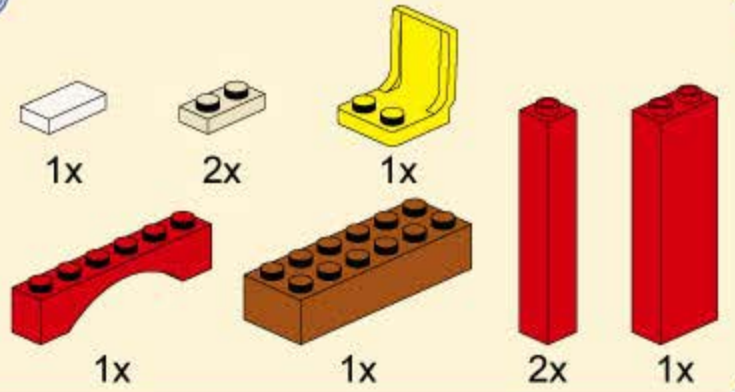


1x





A13



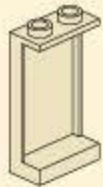
A15



1x



1x



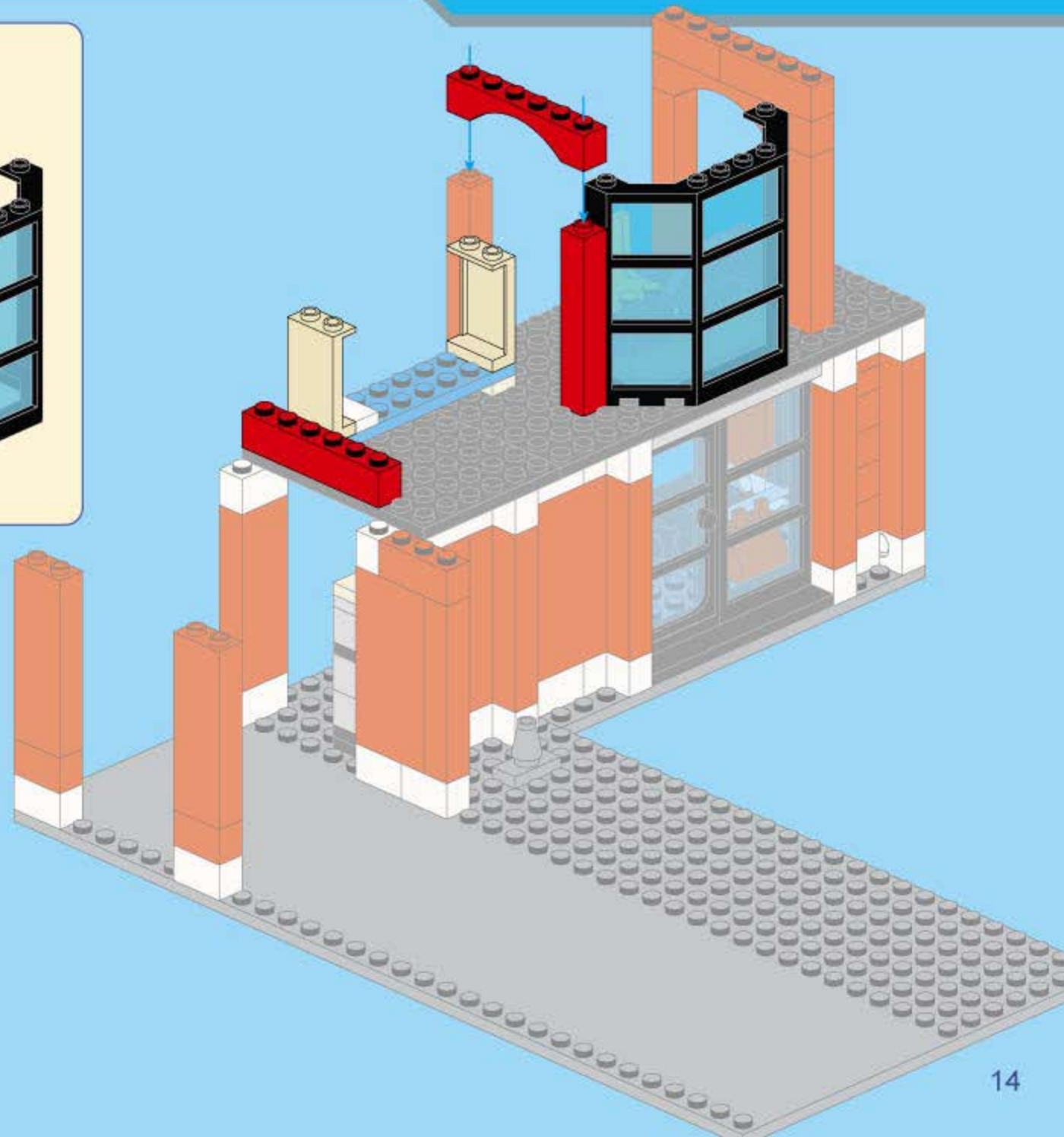
2x



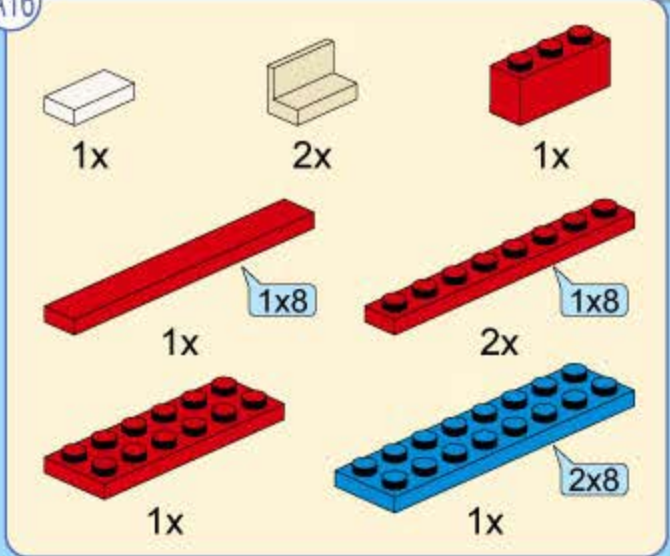
1x



1x

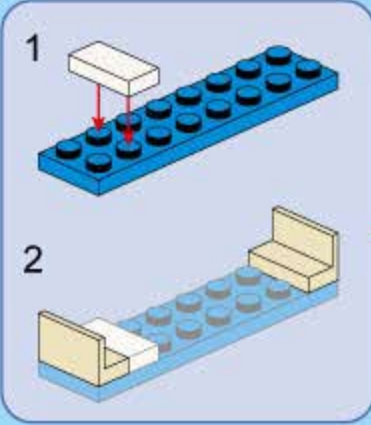


A16



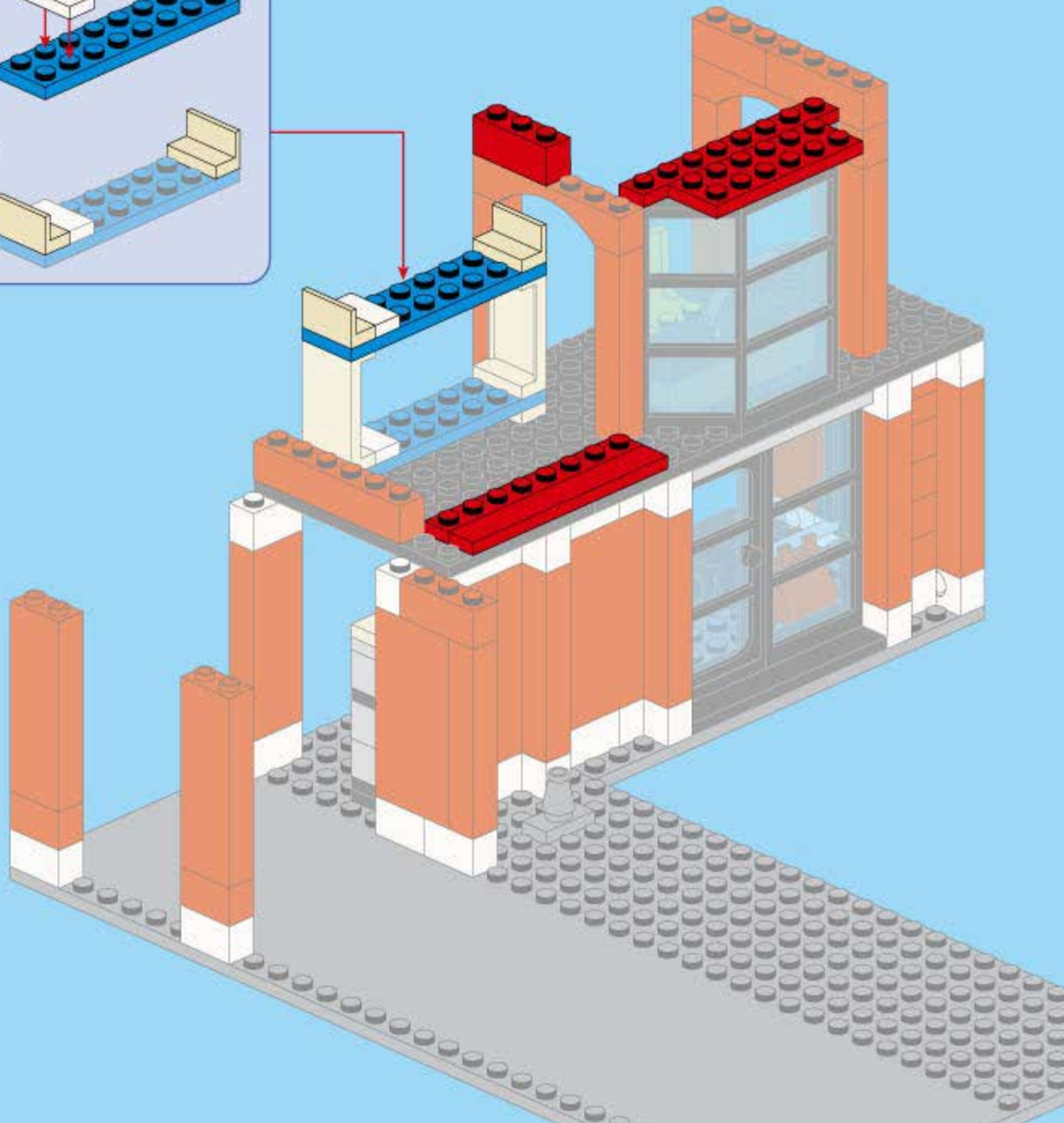
Parts list for step A16:

- 1x white 1x2 Technic brick
- 2x white 1x2 Technic Technic brick with hole
- 1x red 1x2 Technic brick
- 1x red 1x8 Technic Technic brick
- 2x red 1x8 Technic Technic brick
- 1x red 1x8 Technic Technic brick
- 1x blue 2x8 Technic Technic brick

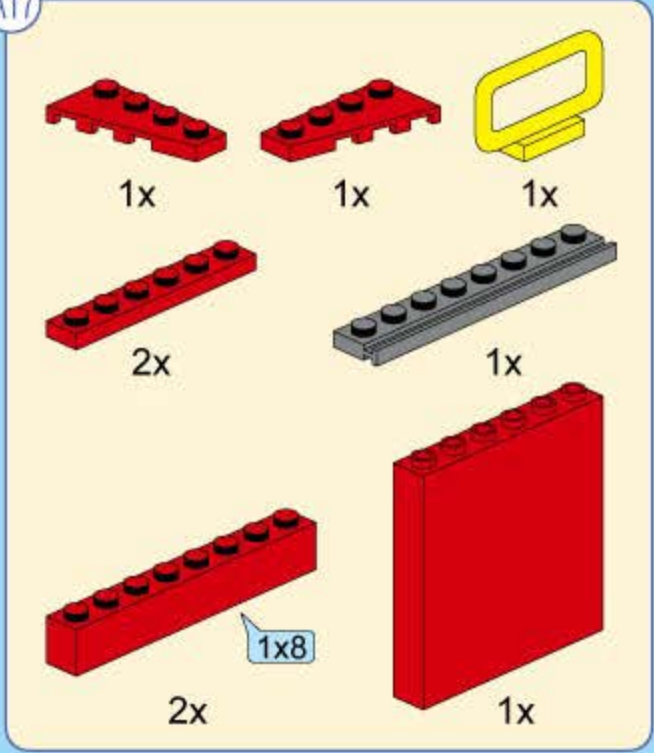


Assembly diagram for step A16:

1. Place the white 1x2 Technic brick on top of the blue 2x8 Technic Technic brick.
2. Place the white 1x2 Technic Technic brick with hole on top of the blue 2x8 Technic Technic brick.

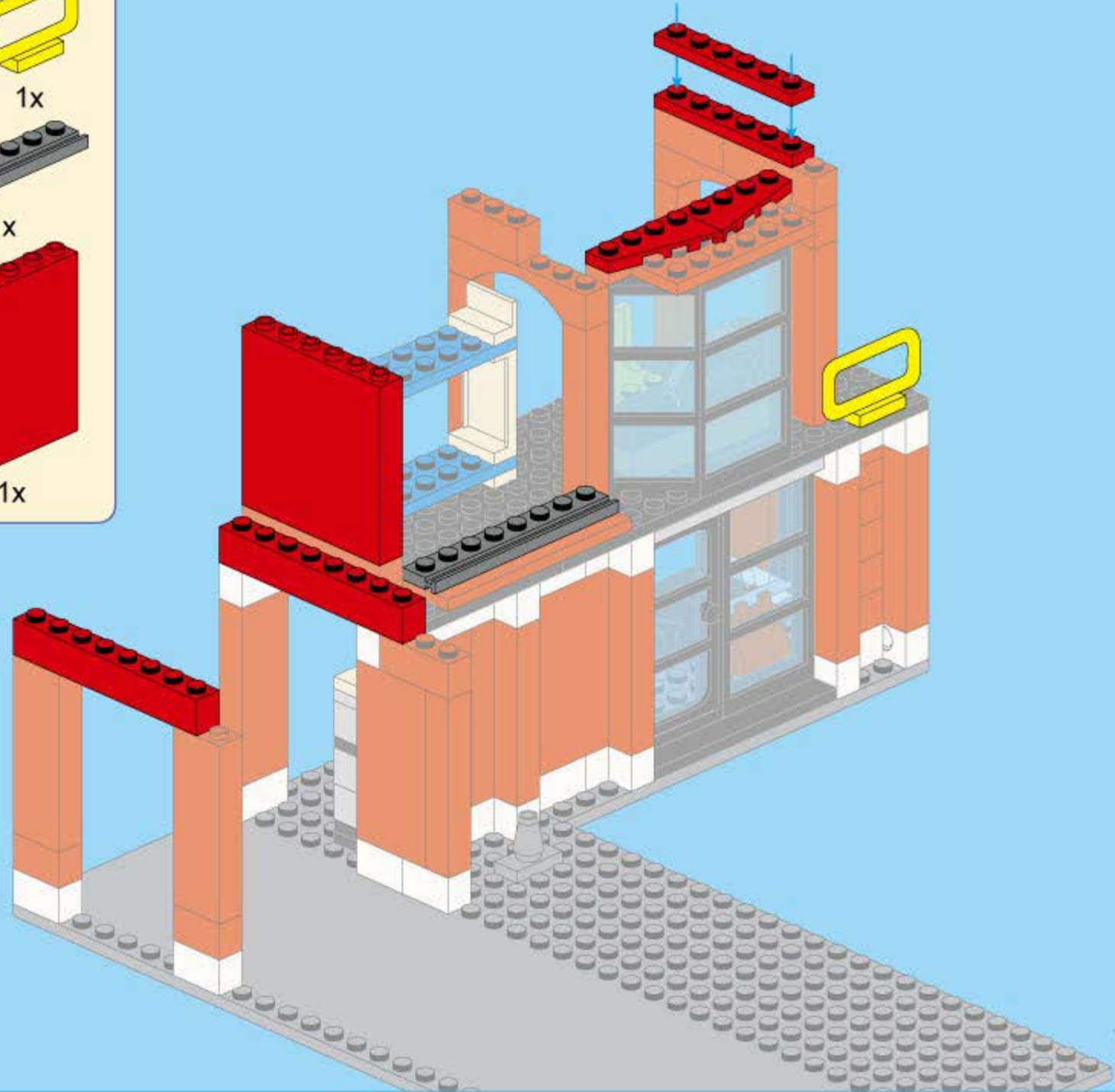


A17



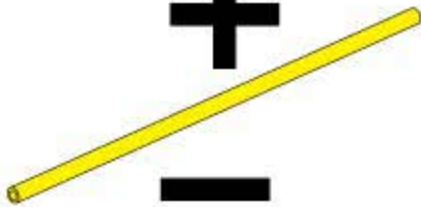
Parts list for step A17:

- 1x Red 1x3 Technic Beam
- 1x Red 1x4 Technic Beam
- 1x Yellow 1x2 Technic Ring
- 2x Red 1x6 Technic Beam
- 1x Grey 1x6 Technic Beam
- 2x Red 1x8 Technic Beam
- 1x Red 1x8 Technic Plate

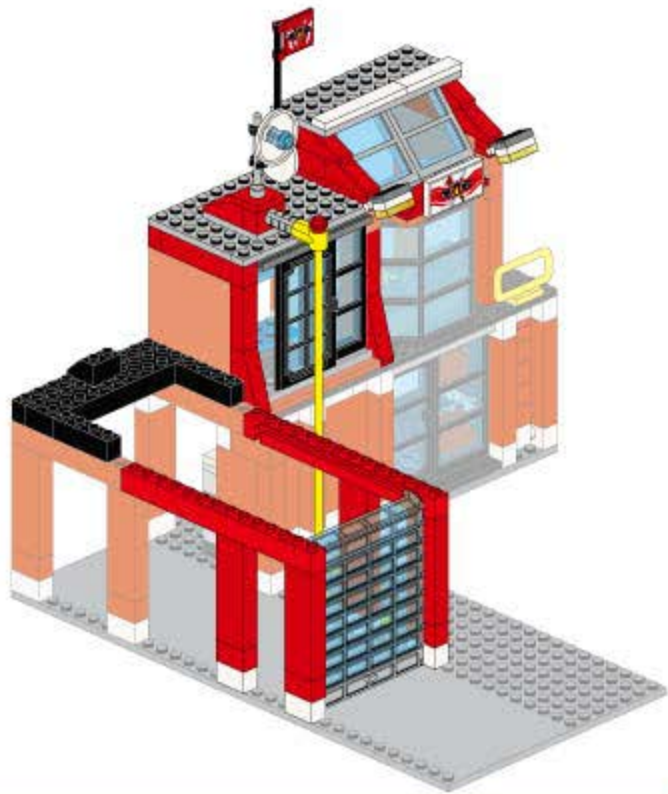




+



=



A18



2x



1x



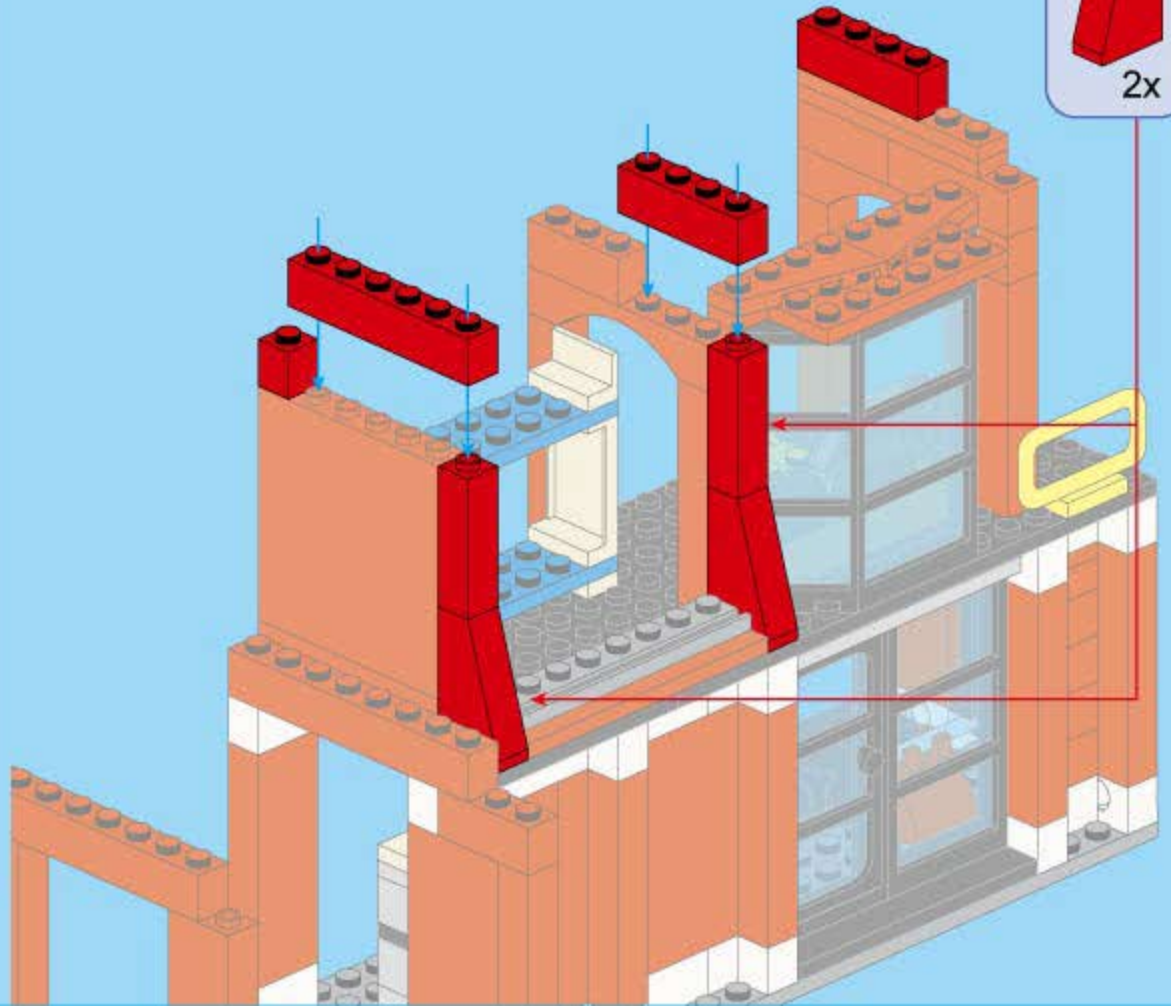
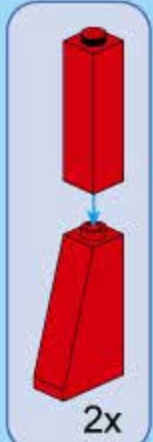
1x



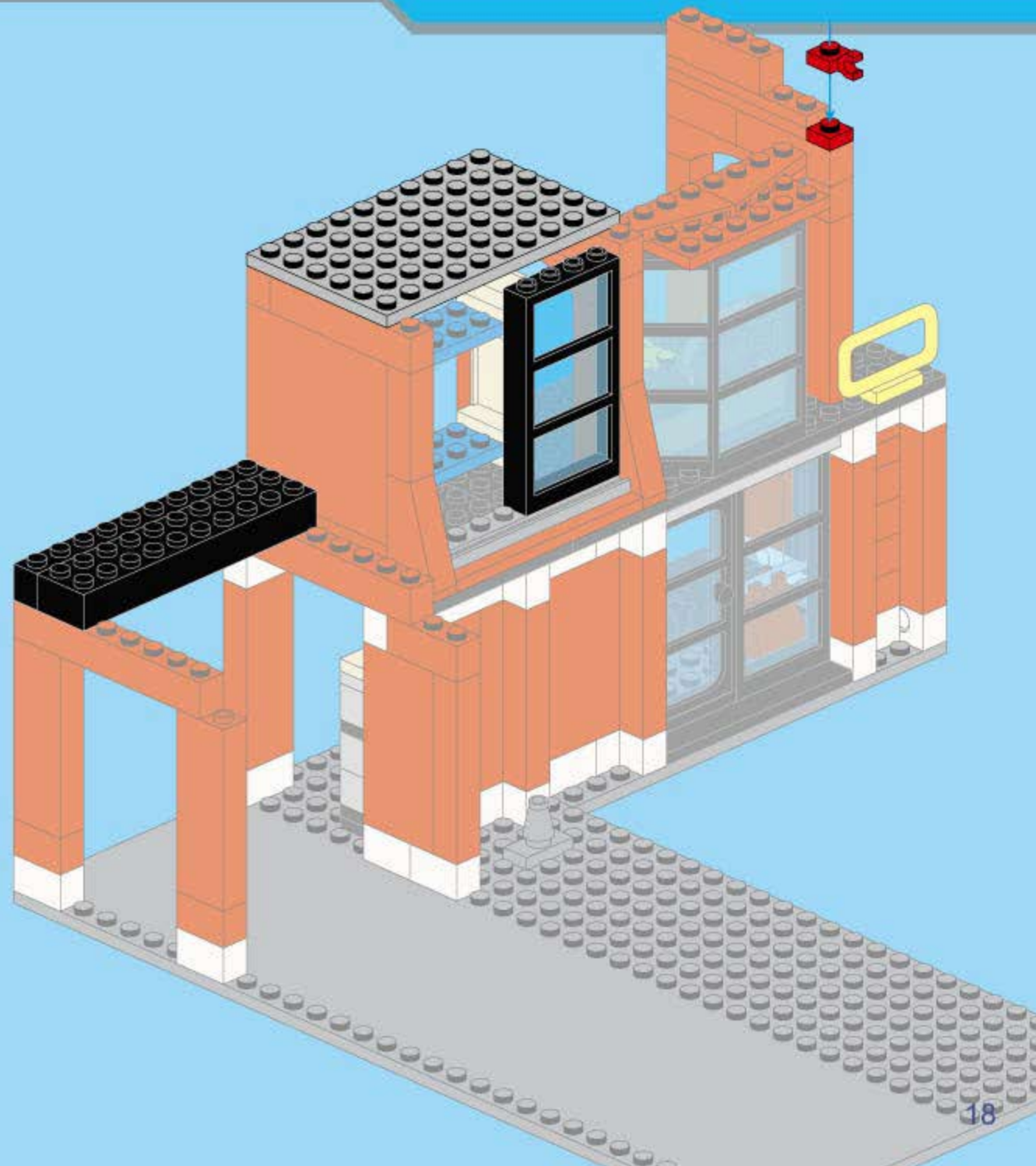
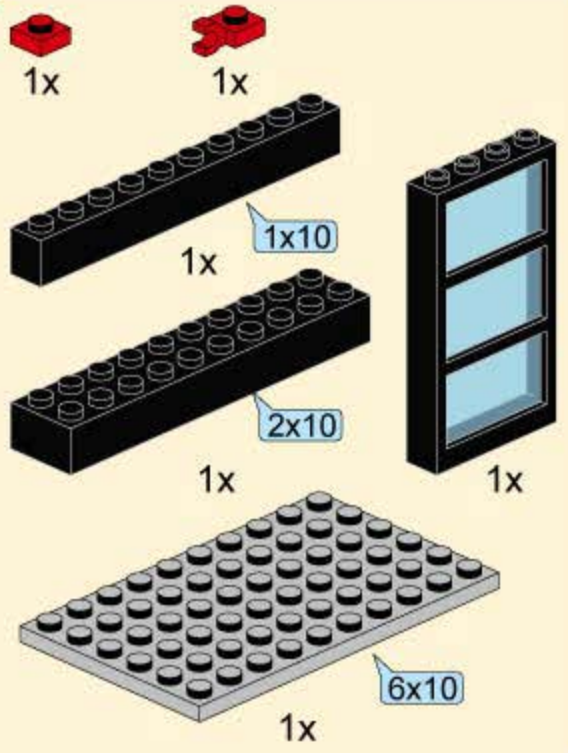
2x



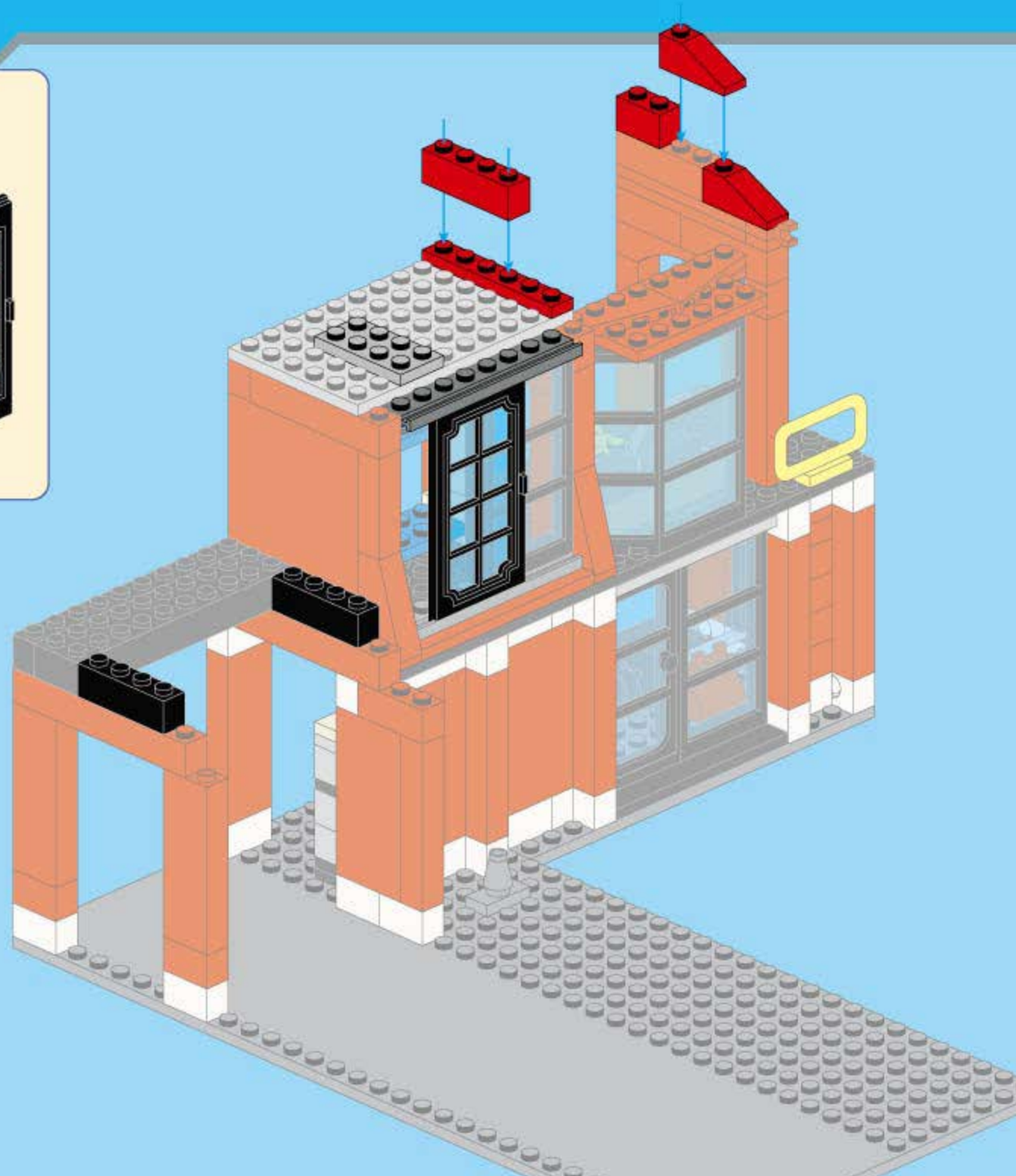
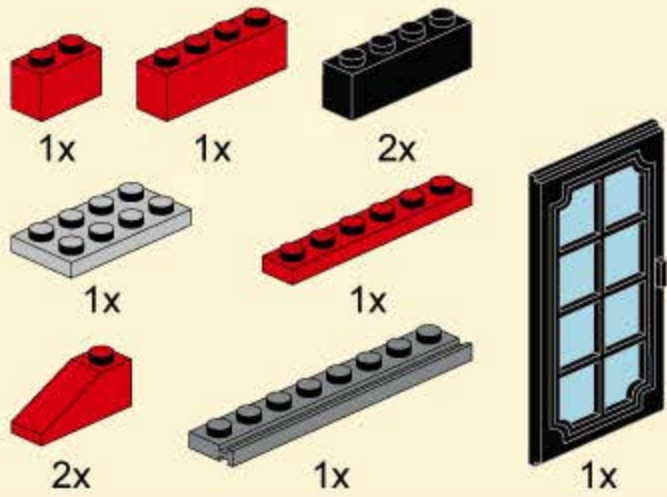
2x



A19



A20



A21



2x



1x



1x

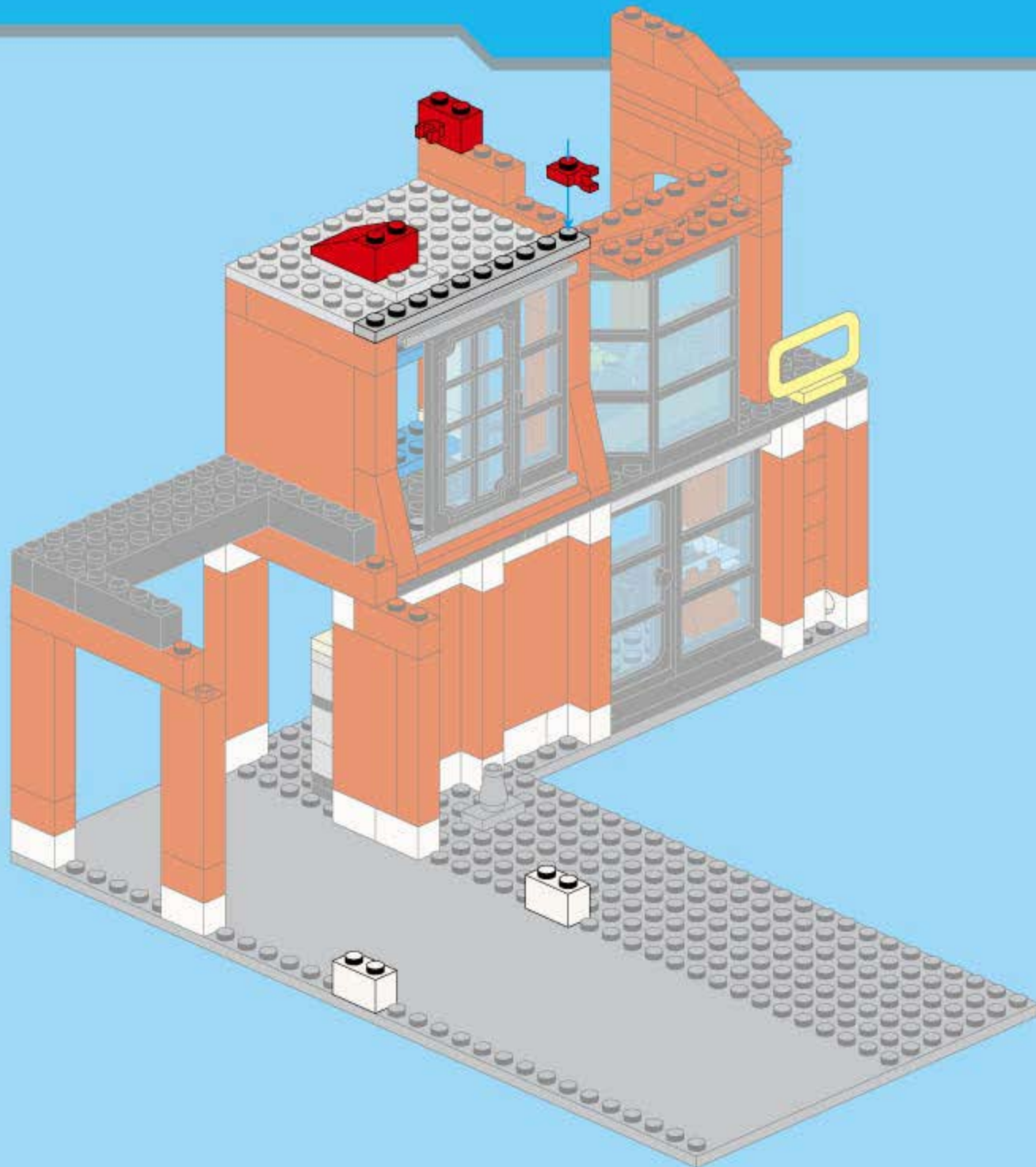


1x



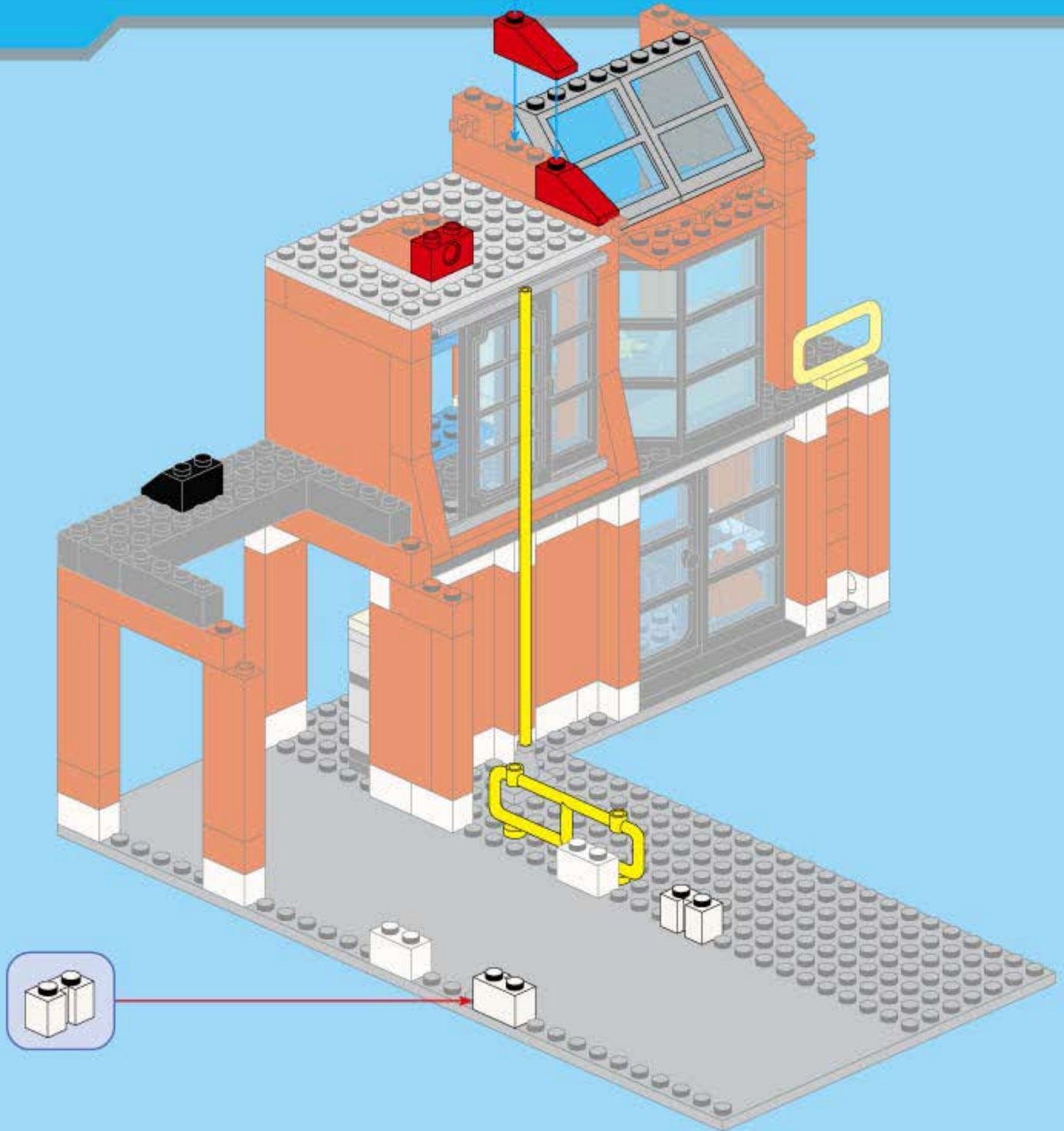
1x

1x10



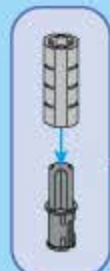
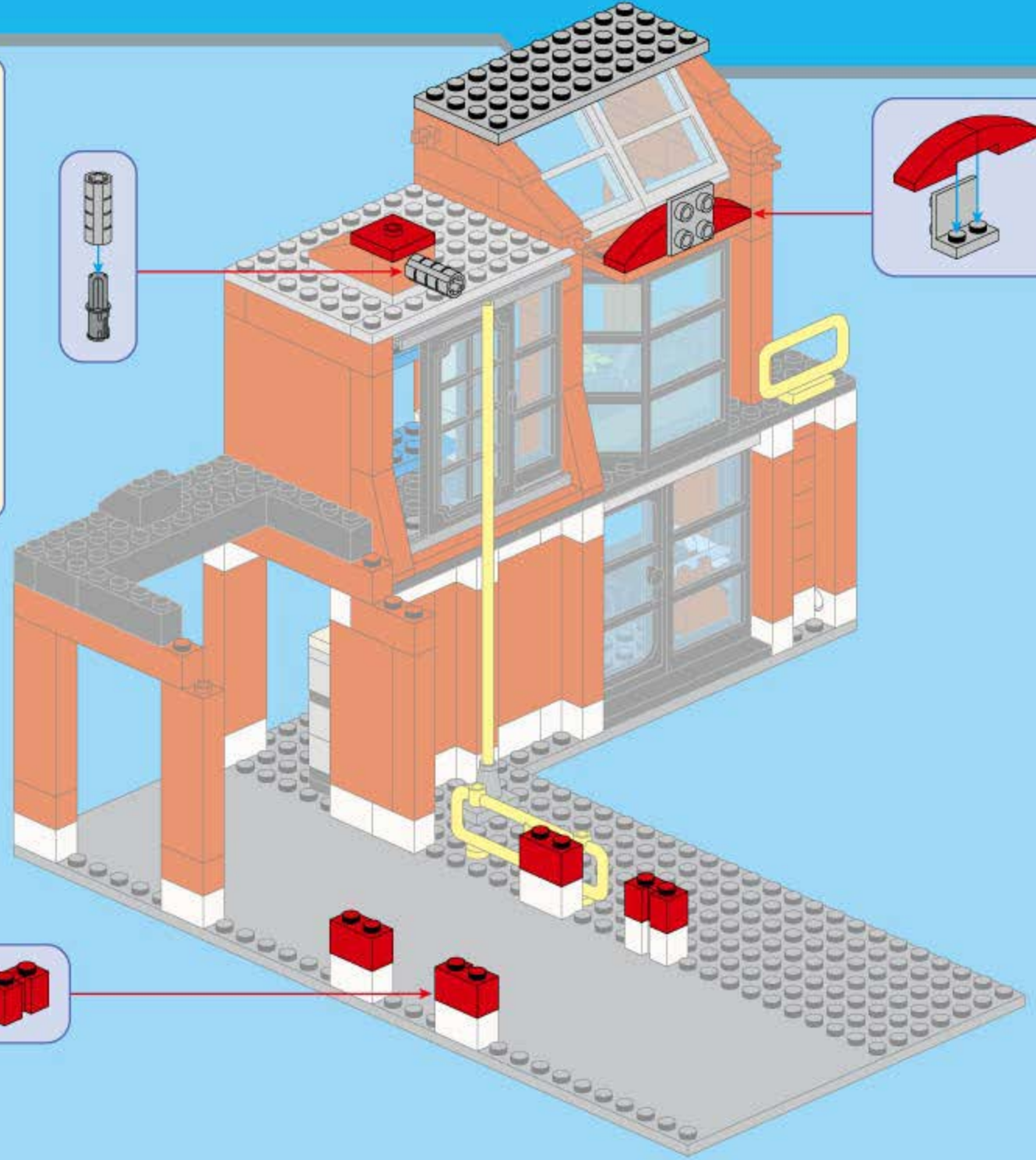
A22

- 2x
- 1x
- 1x
- 2x
- 1x
- 2x
- 1x
- 1x

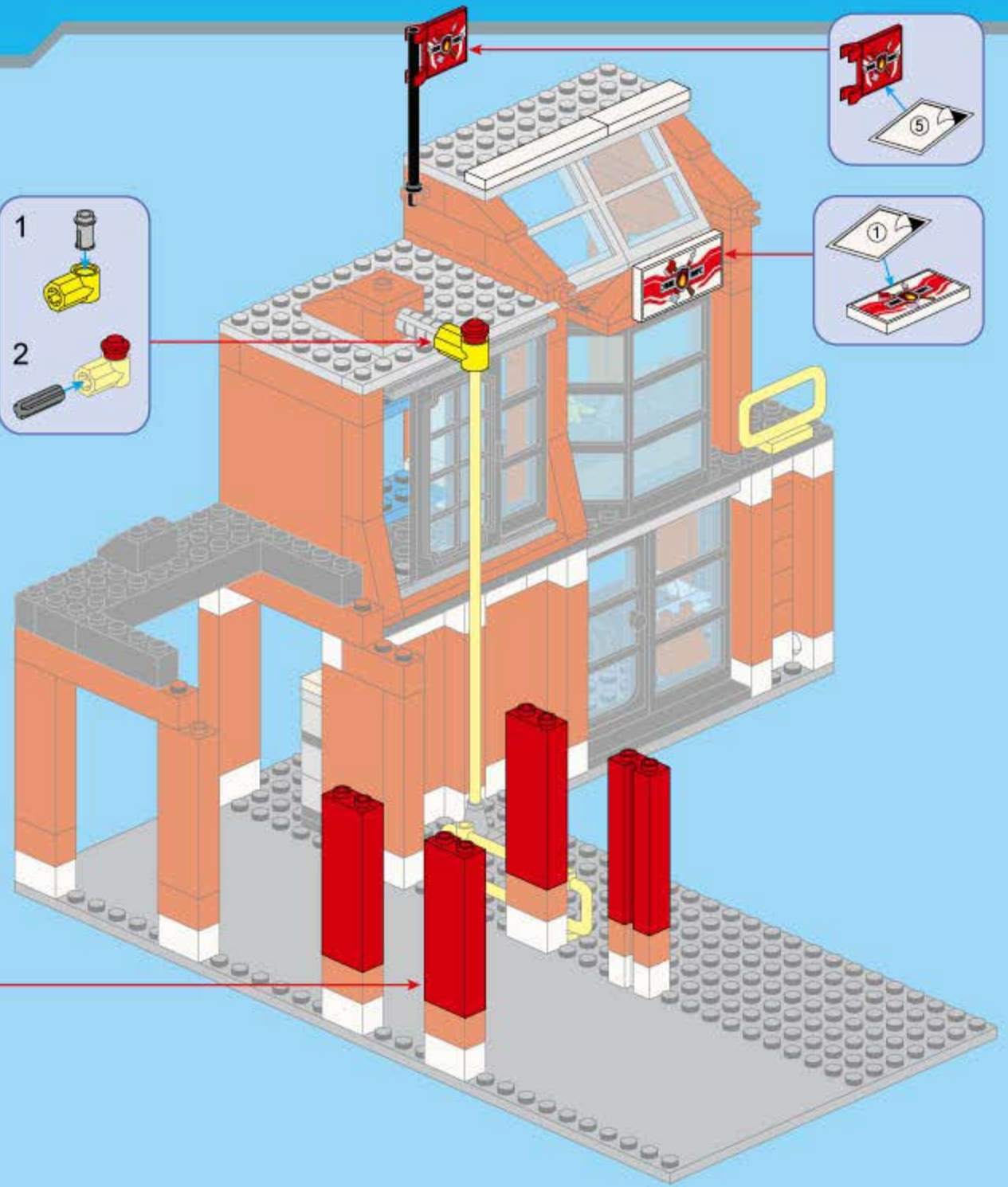
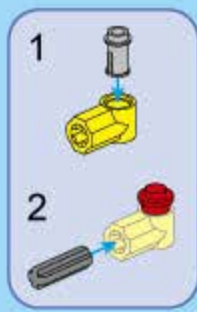
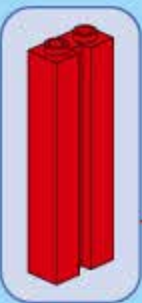
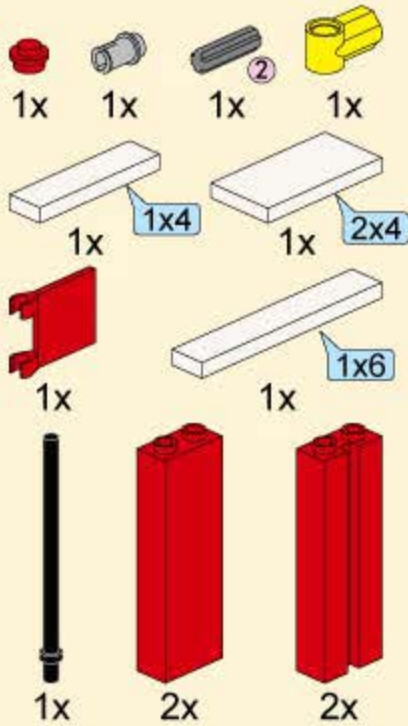


A23

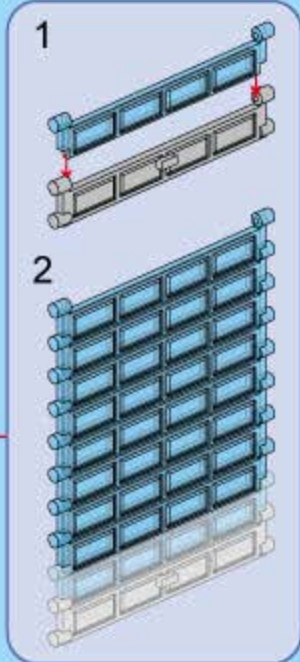
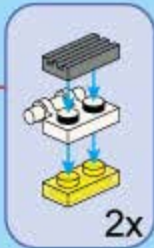
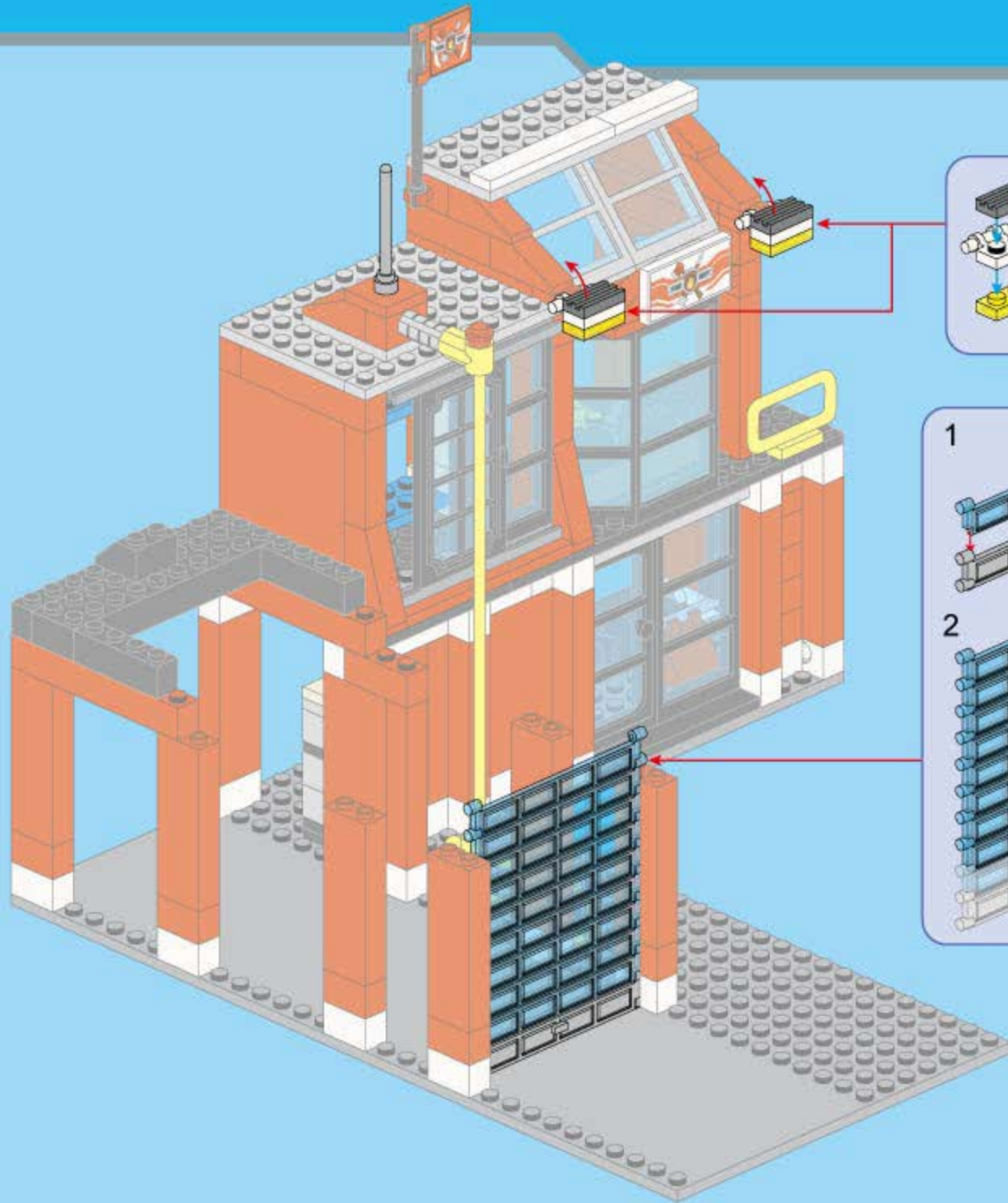
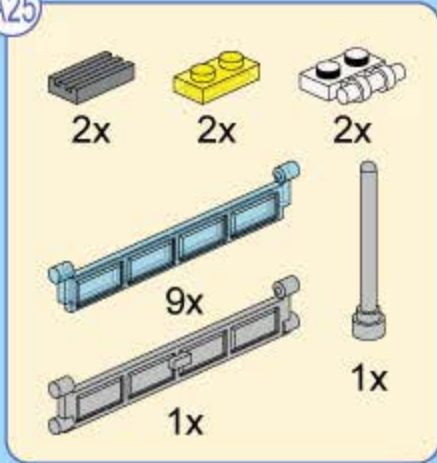
- 1x [grey pin]
- 1x [grey axle]
- 2x [red 1x2 brick]
- 2x [red 1x2 brick]
- 1x [red 1x2 plate]
- 1x [grey 1x4 plate]
- 2x [red curved 1x2 piece]
- 1x [grey 4x10 plate]



A24



A25



A26



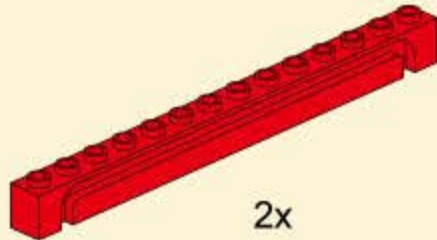
2x



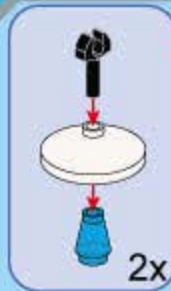
2x



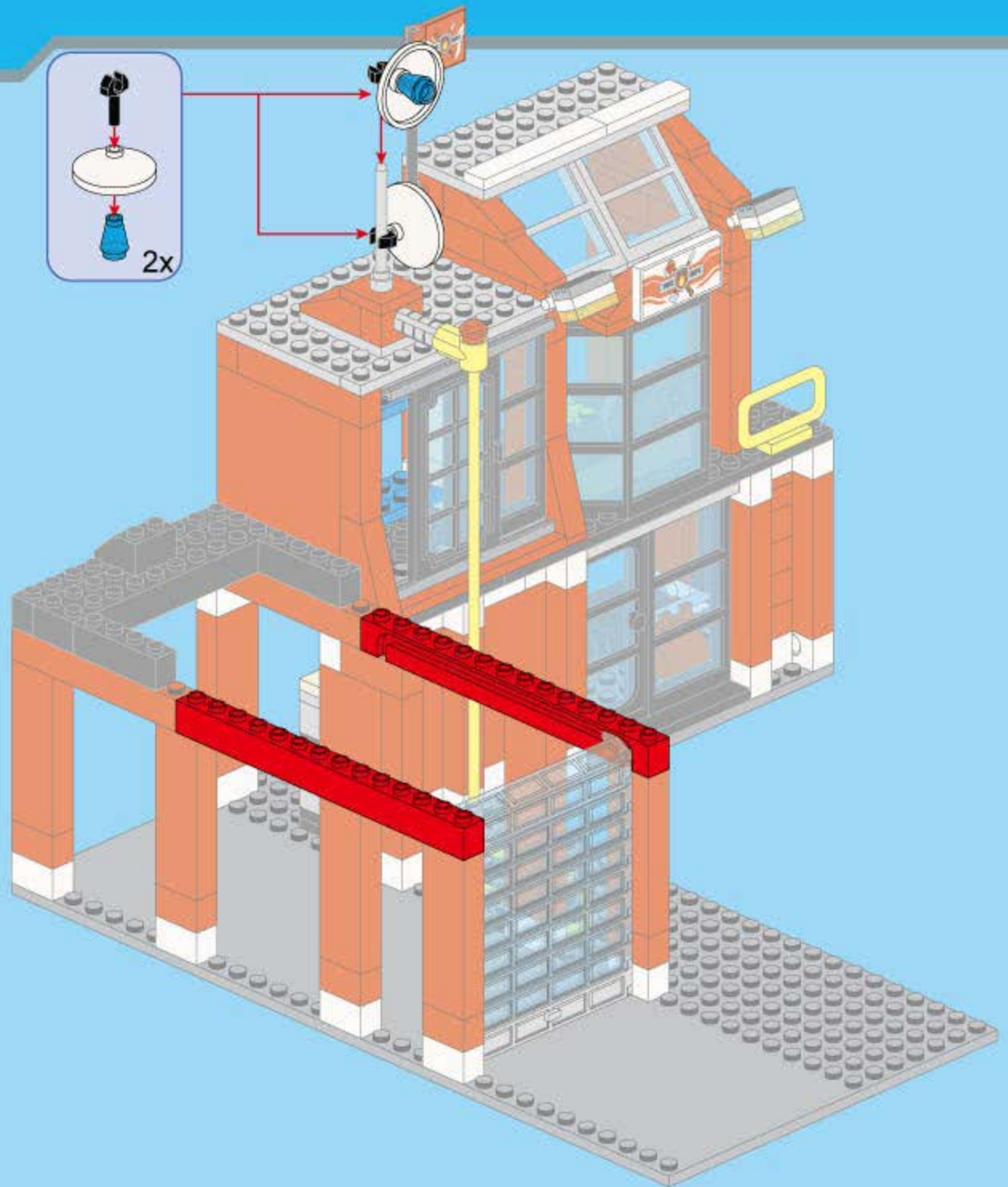
2x

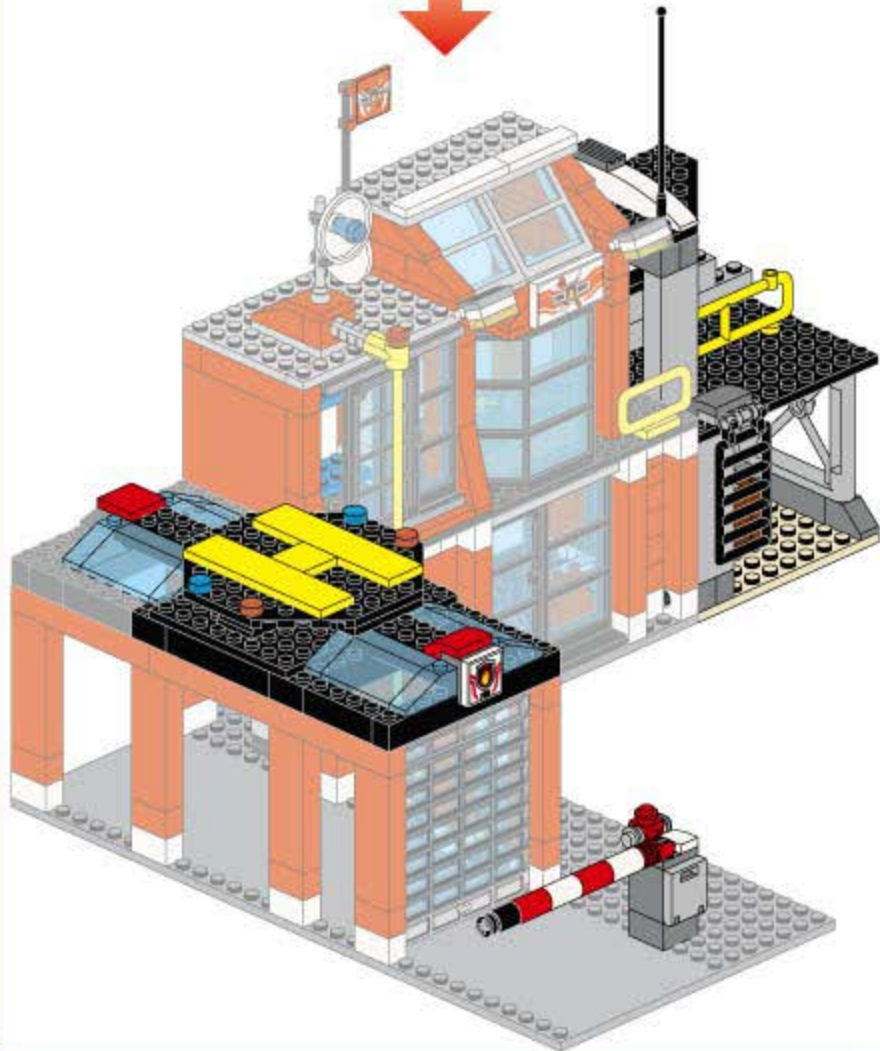


2x

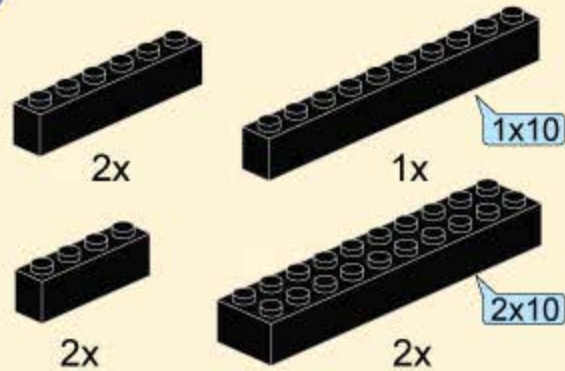


2x



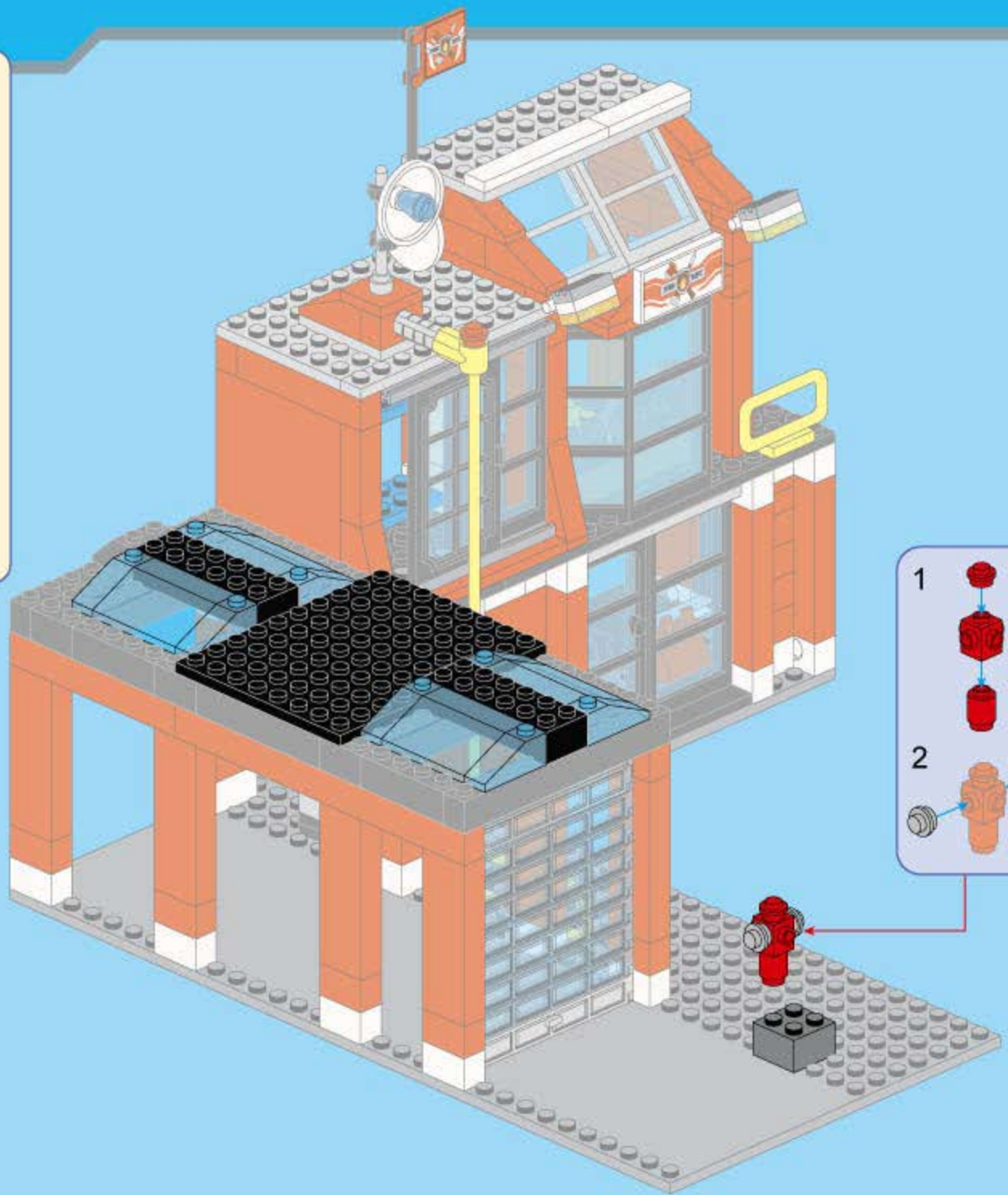


A27



A28

- 2x
- 1x
- 1x
- 1x
- 1x
- 2x
- 4x
- 1x



-
-

A29



1x



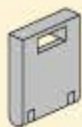
2x



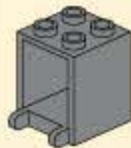
4x



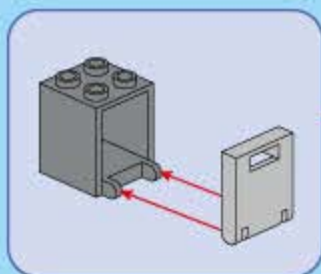
1x





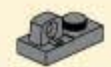

1x



1x

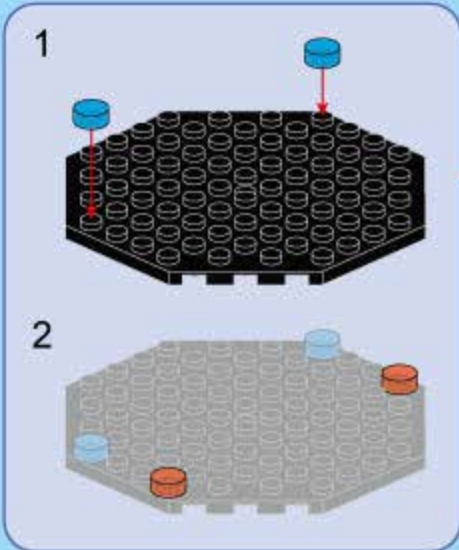


A30










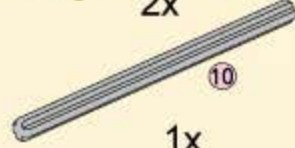
- 2x 
- 2x 
- 1x 
- 1x 



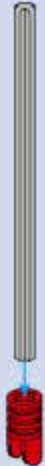
1x





A31

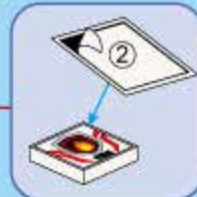
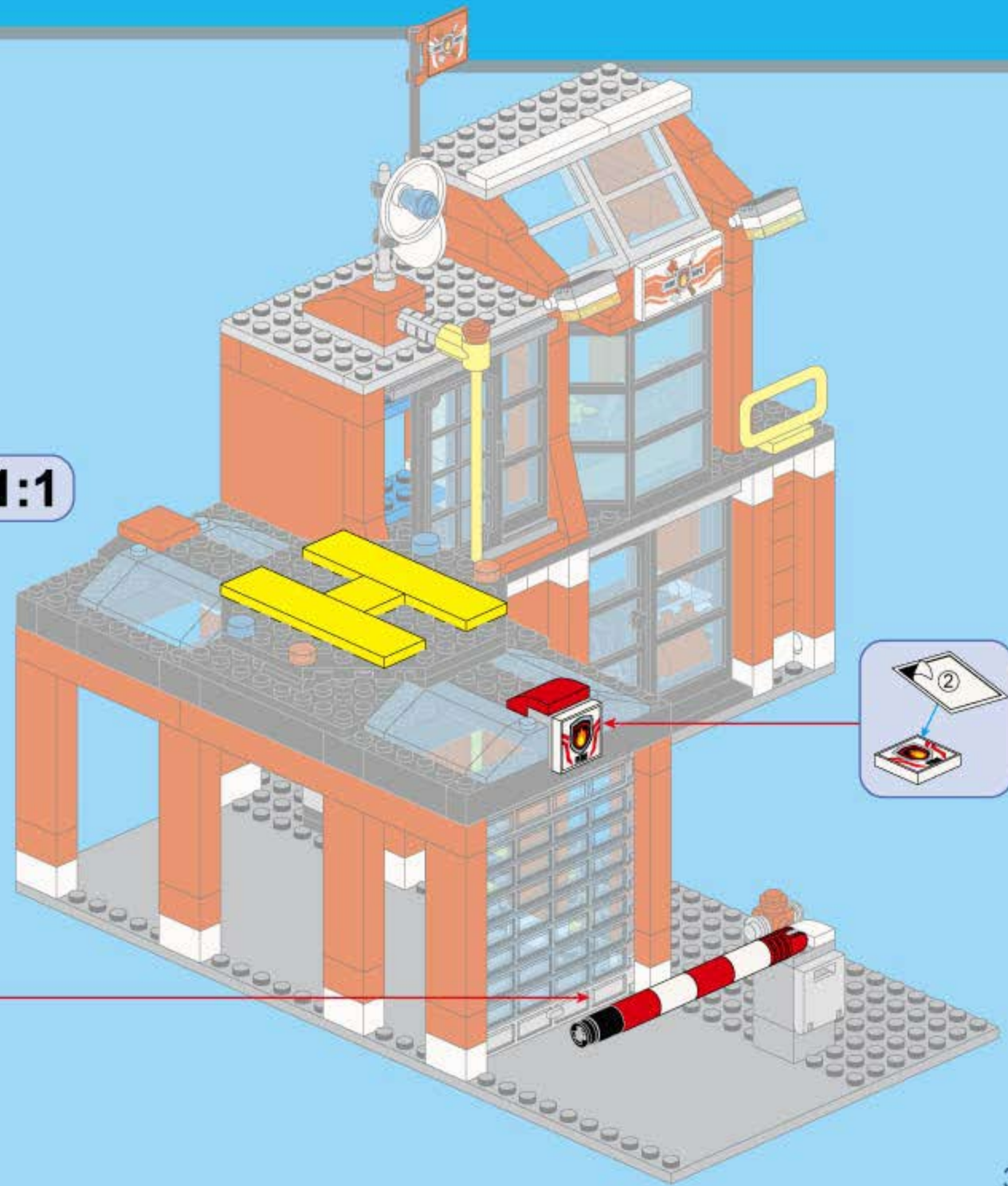
			
1x	2x	1x	1x
			
1x	2x	2x	
			
1x	1x	1x	

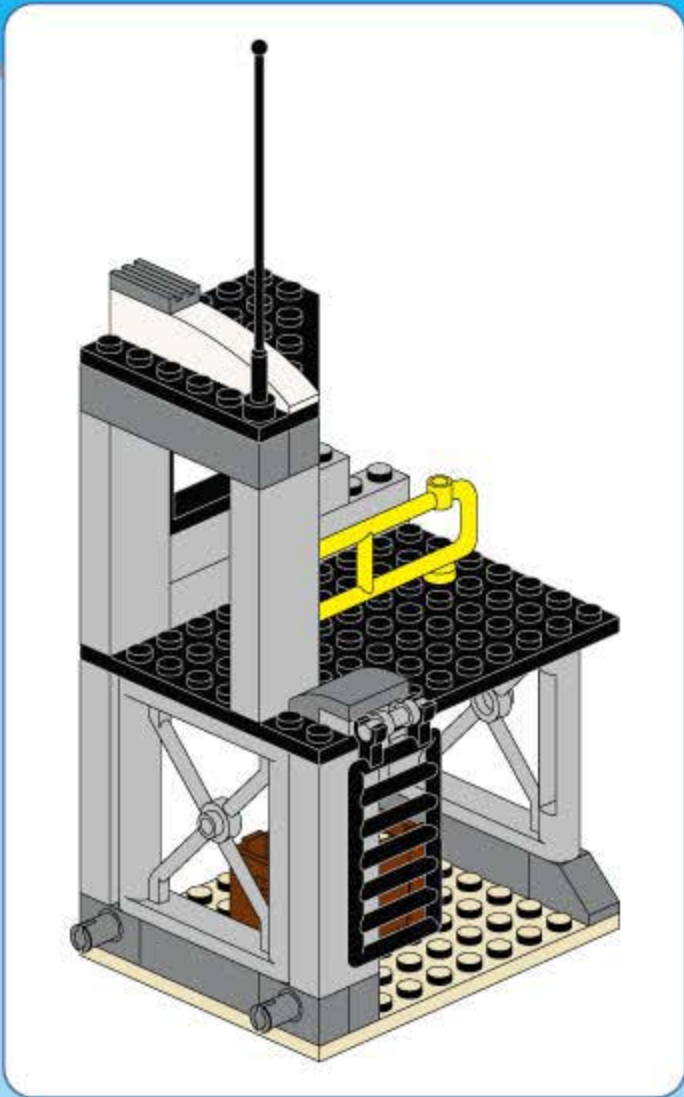
 10 **1:1**

1 

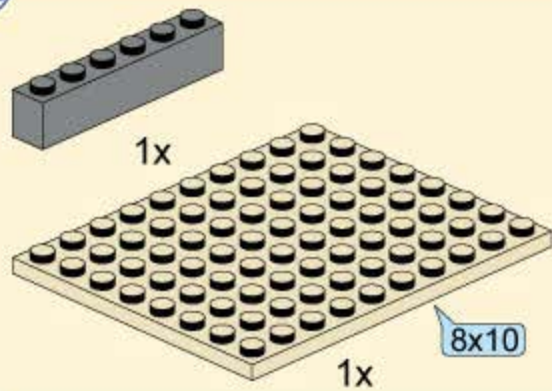
2 

3 

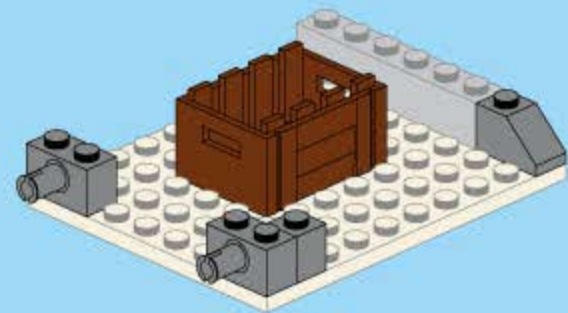
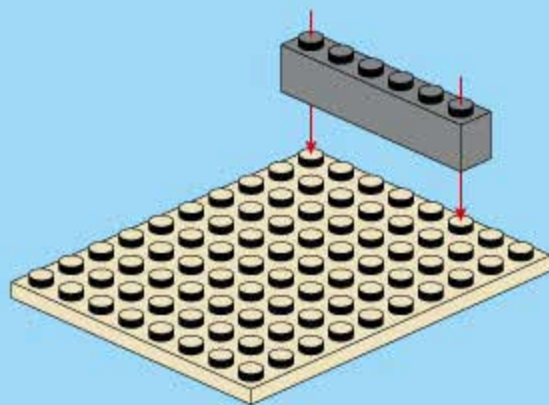
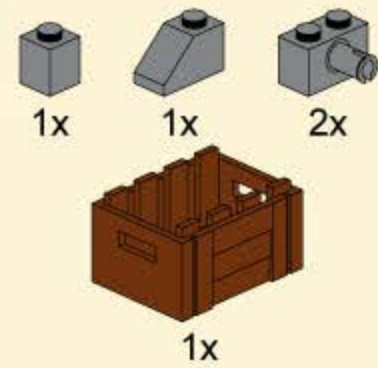




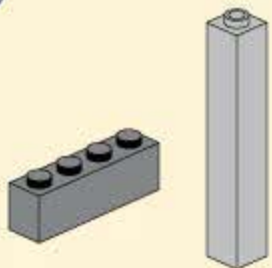
A32



A33



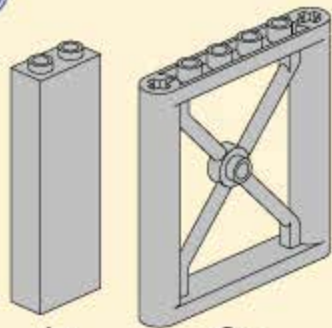
A34



1x

2x

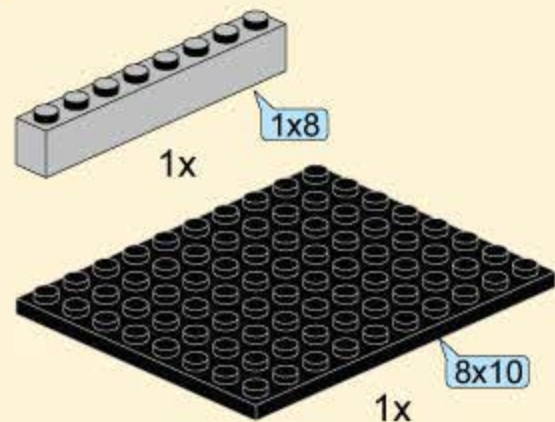
A35



1x

2x

A36

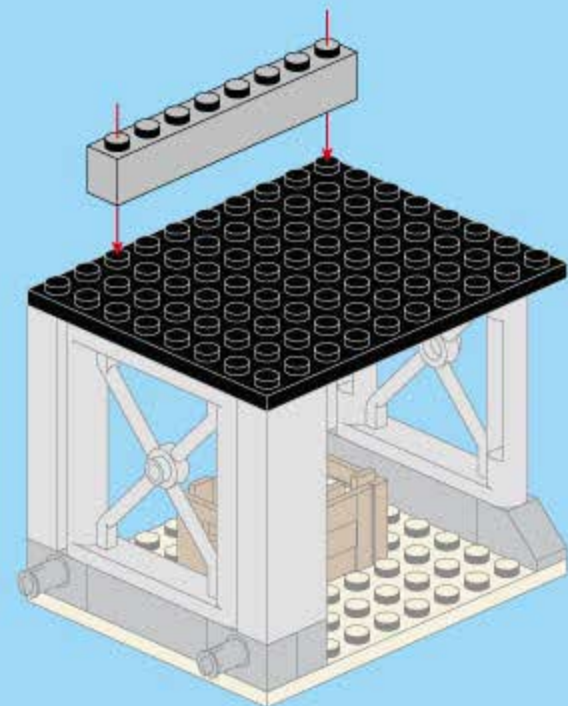
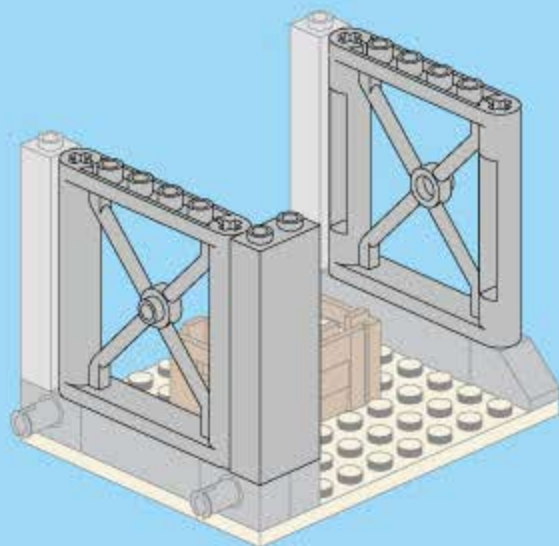
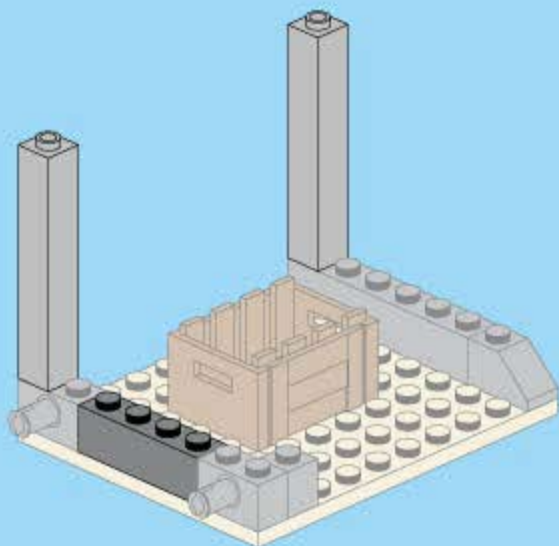


1x

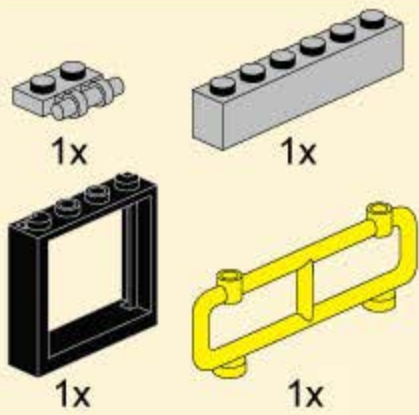
1x8

8x10

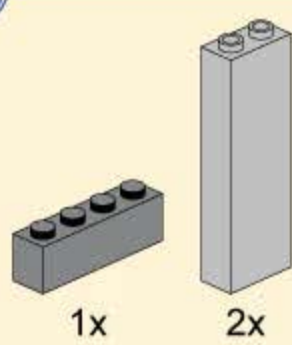
1x



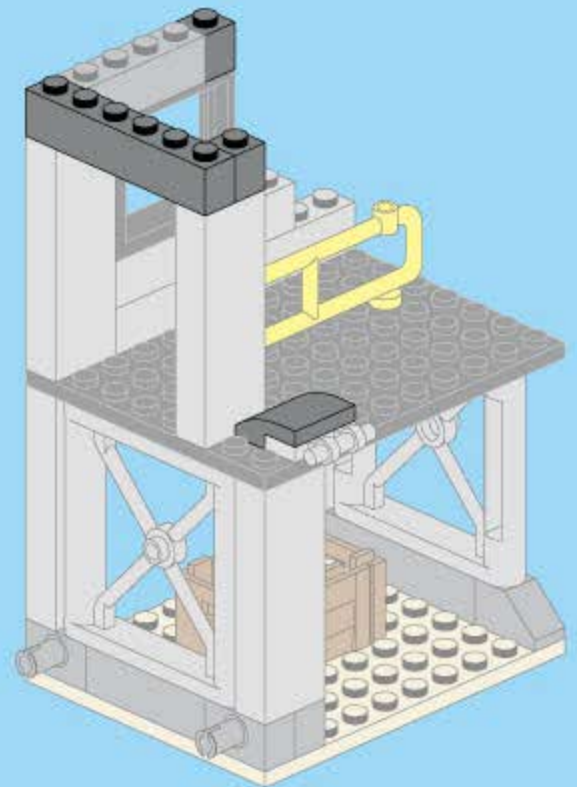
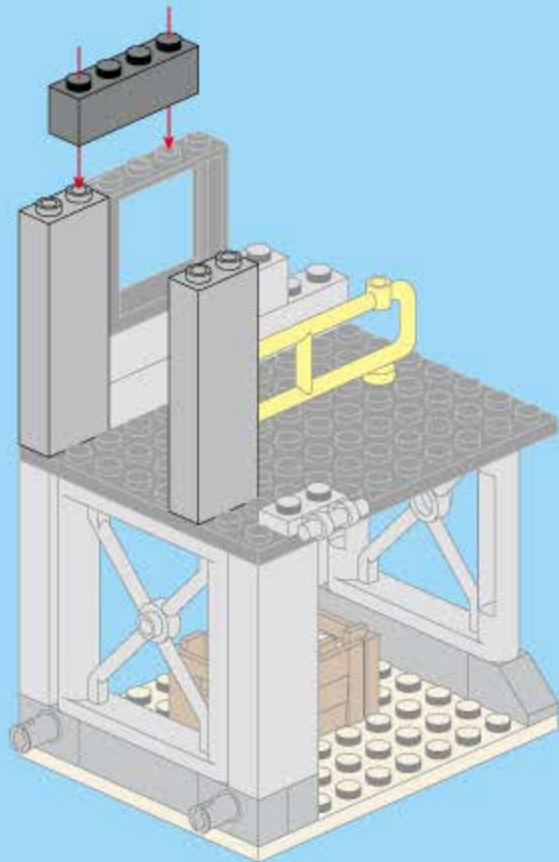
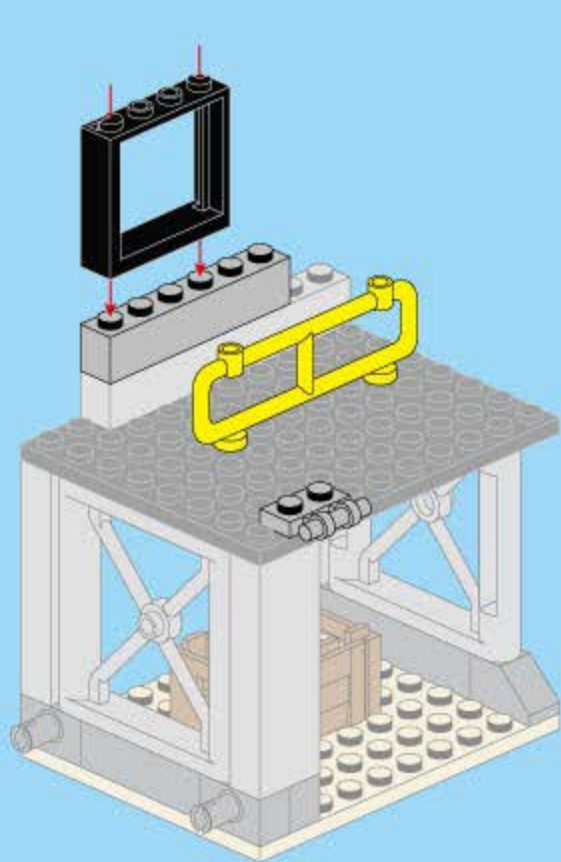
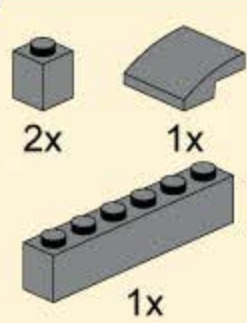
A37



A38



A39



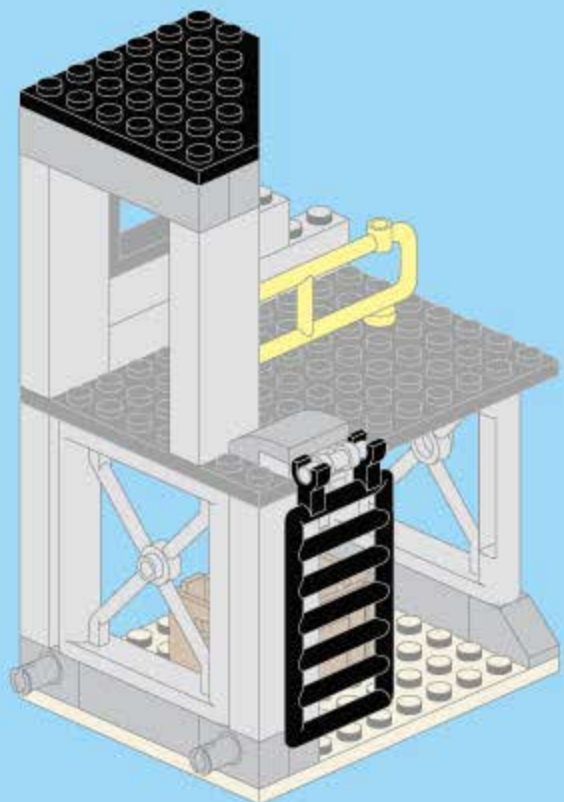
A40



1x



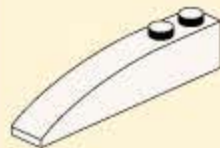
1x



A41



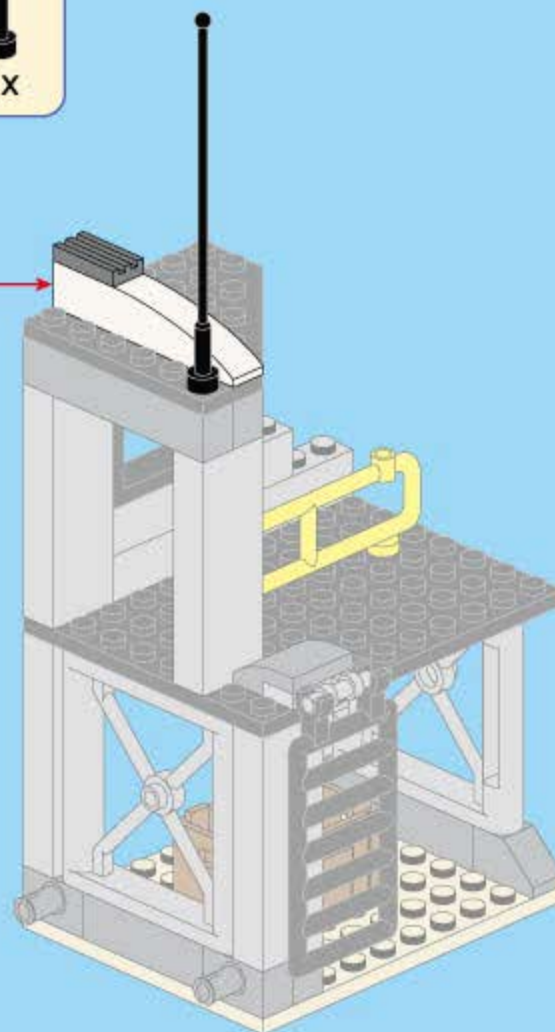
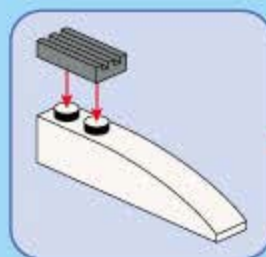
1x

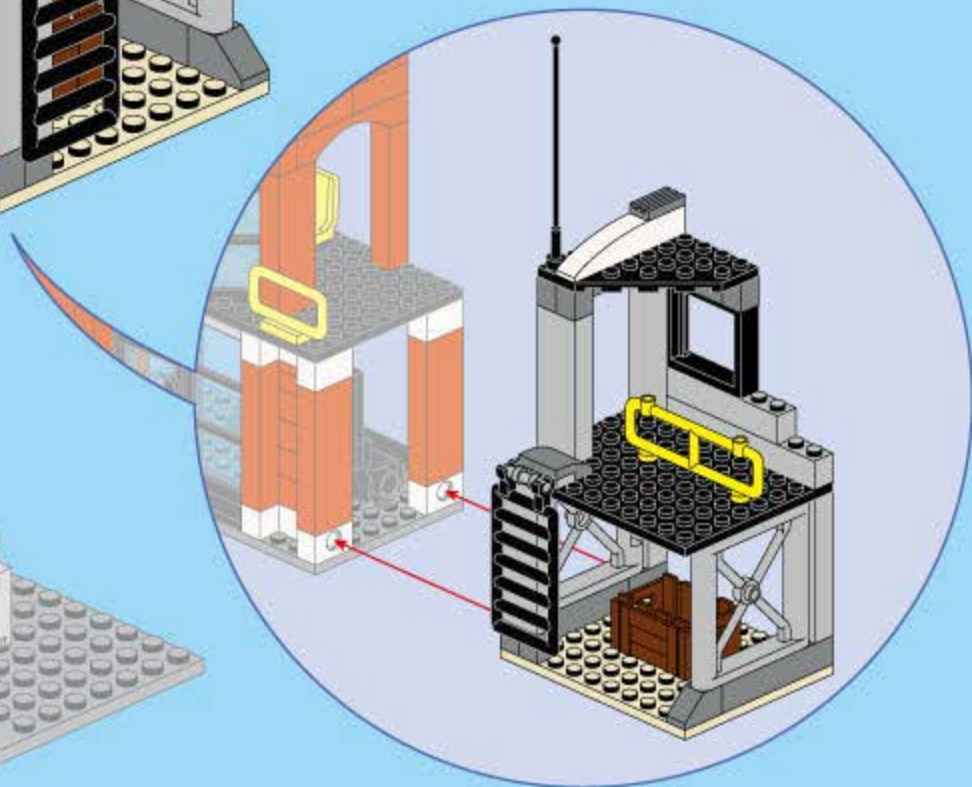
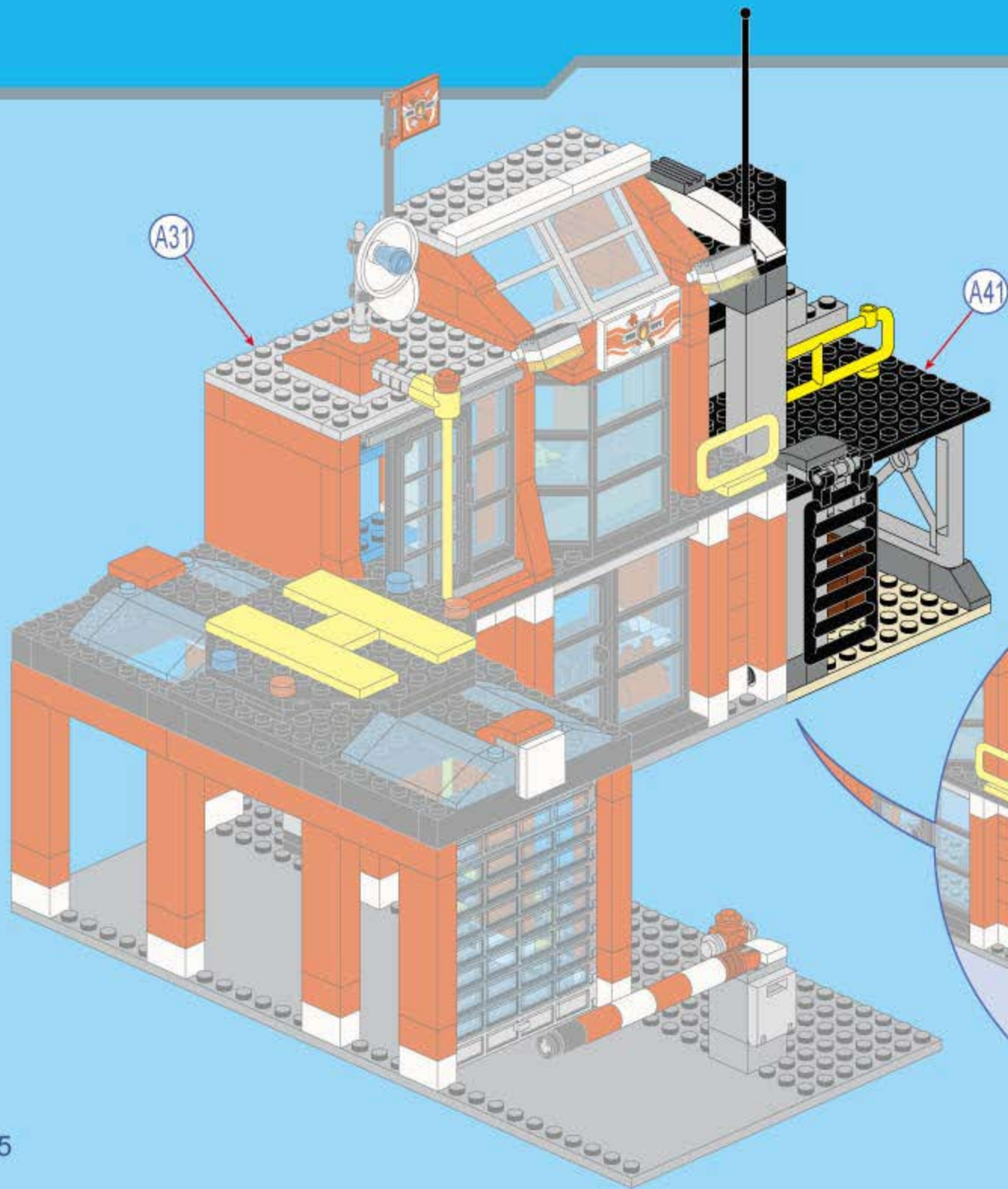


1x

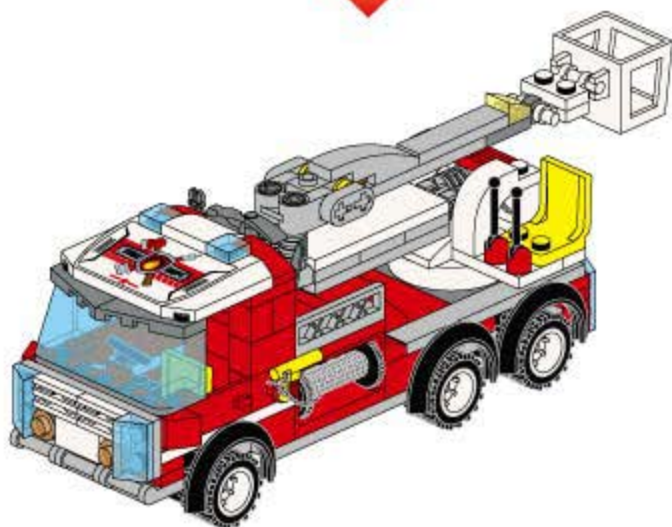


1x

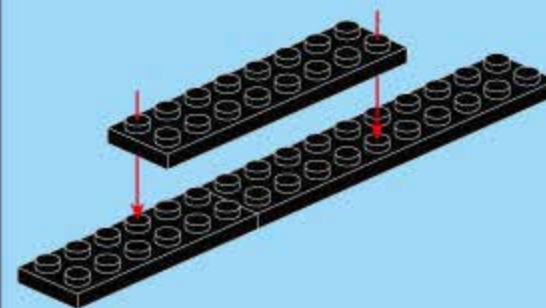
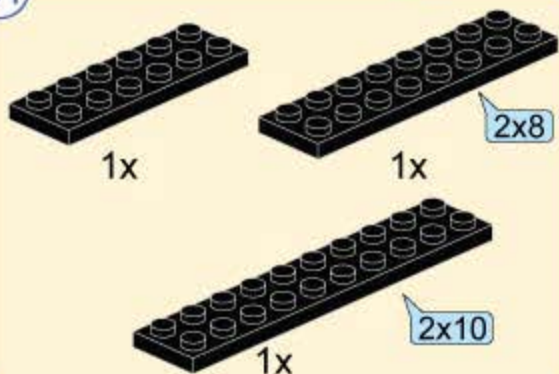




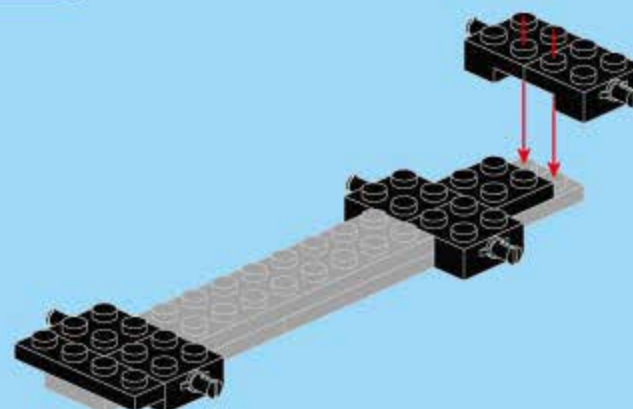
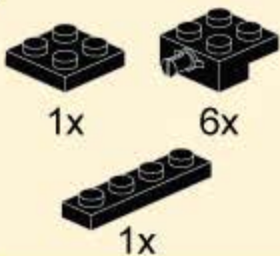
5



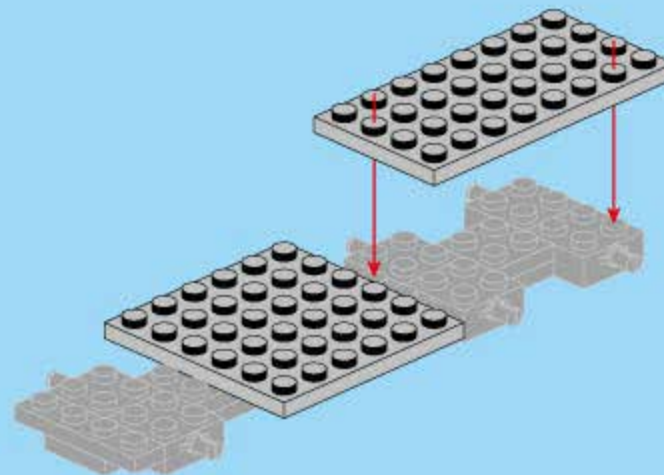
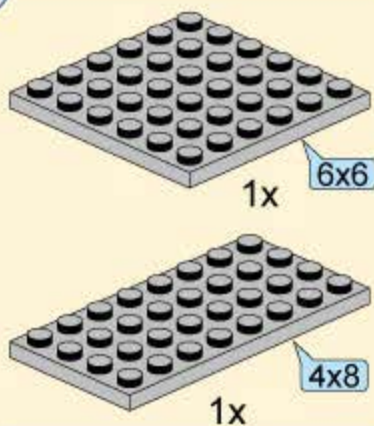
B1



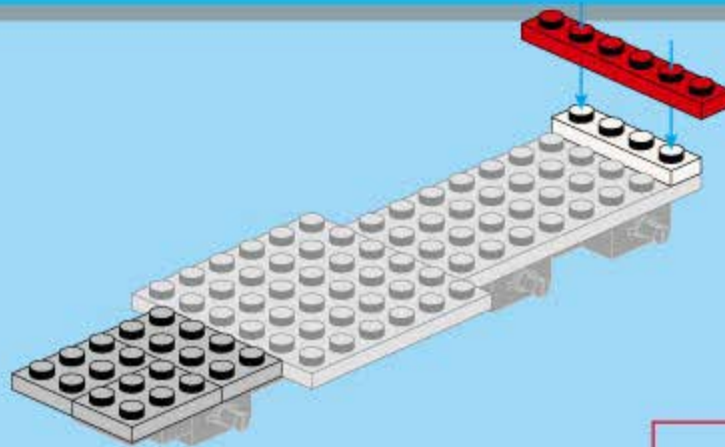
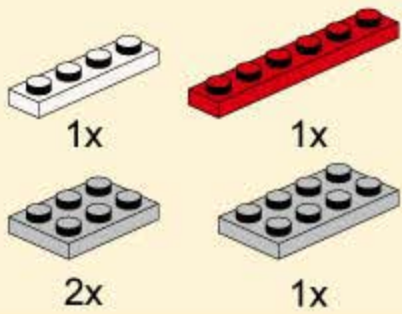
B2



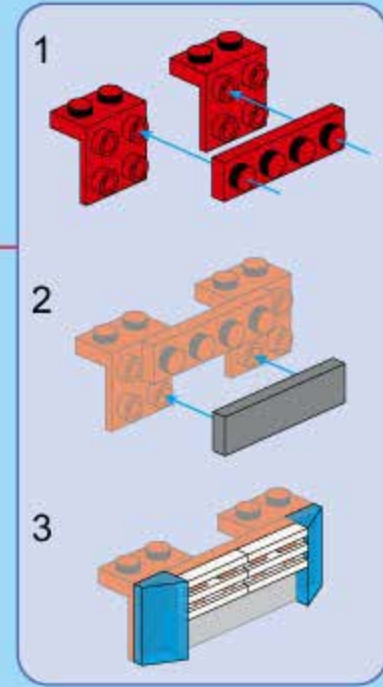
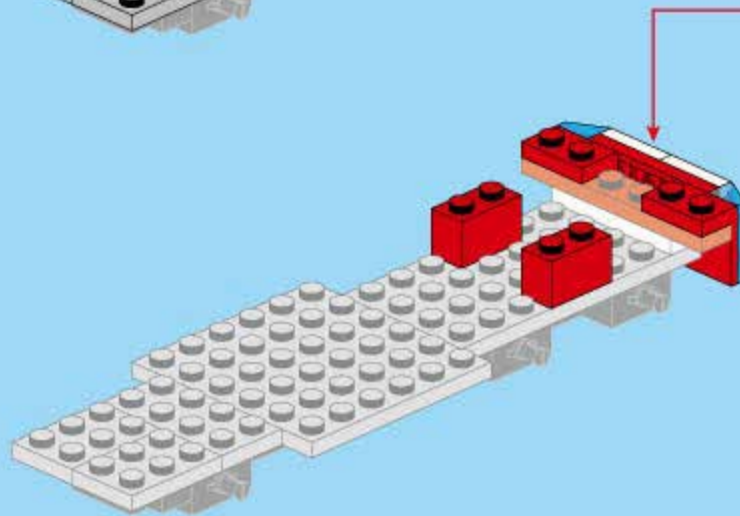
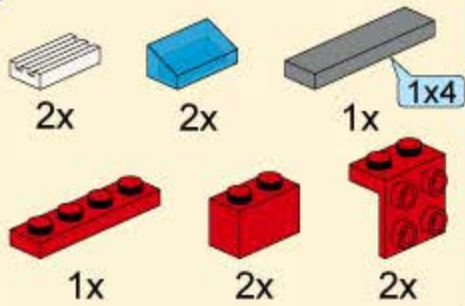
B3



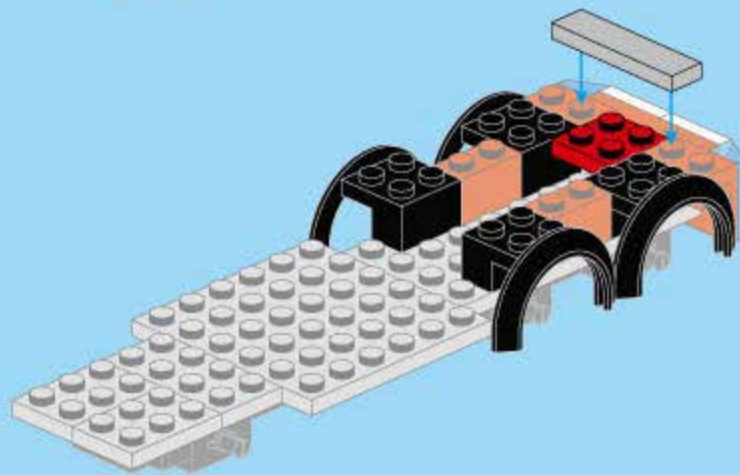
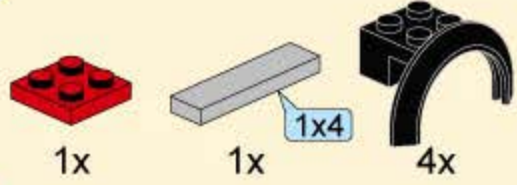
B4



B5



B6



B7

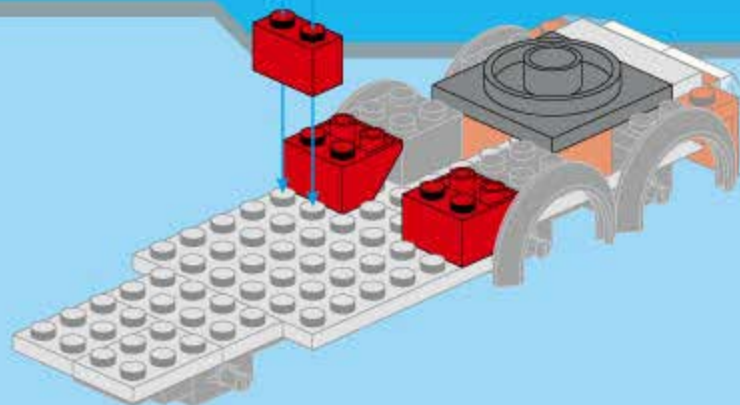


1x

2x



1x

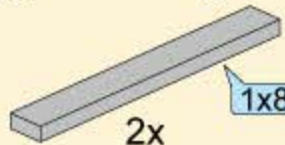


B8



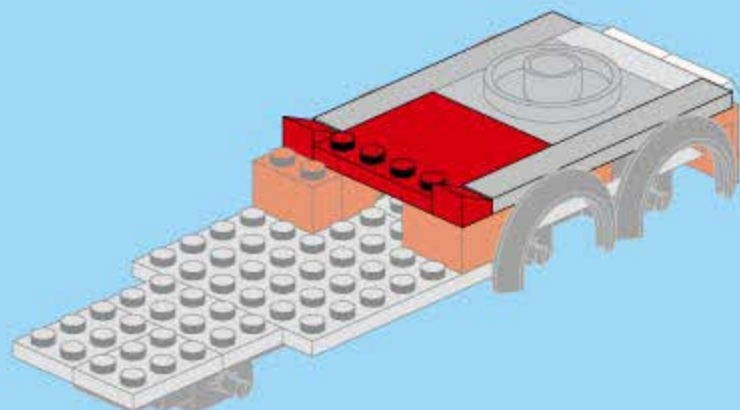
2x

1x



2x

1x8



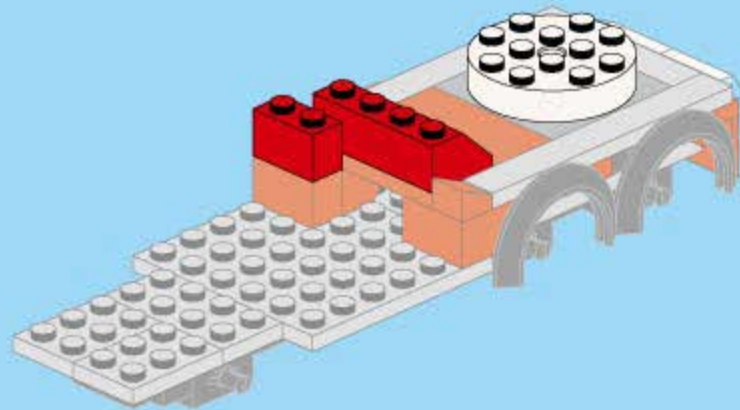
B9



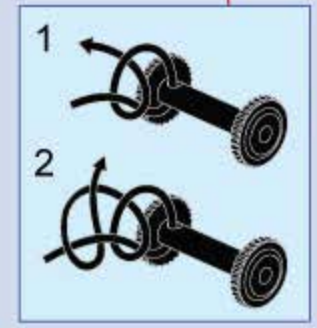
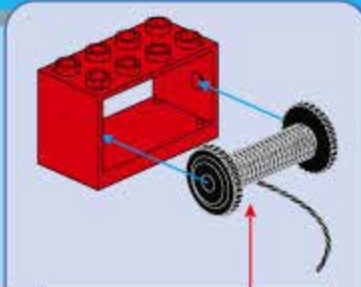
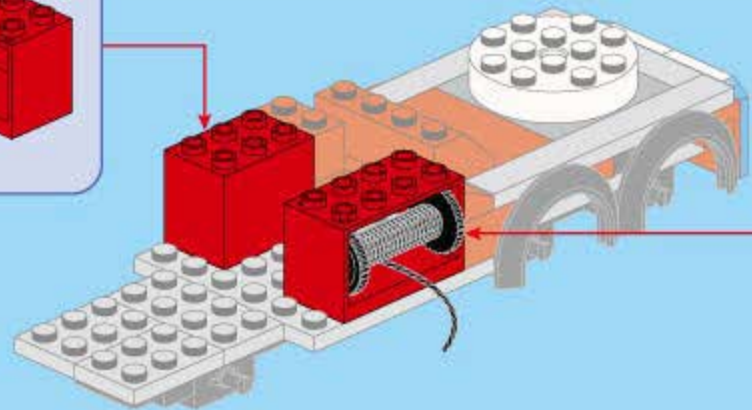
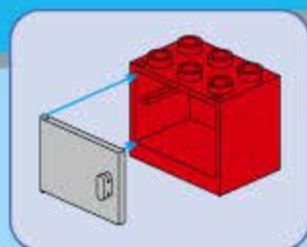
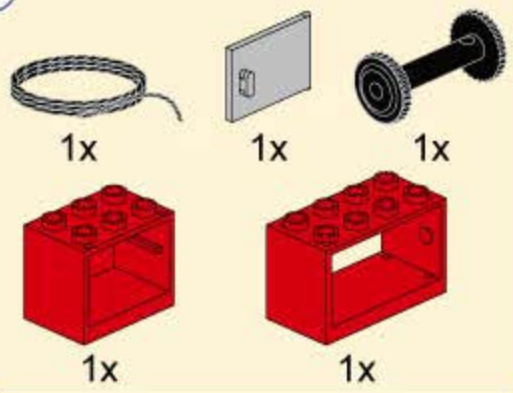
1x

1x

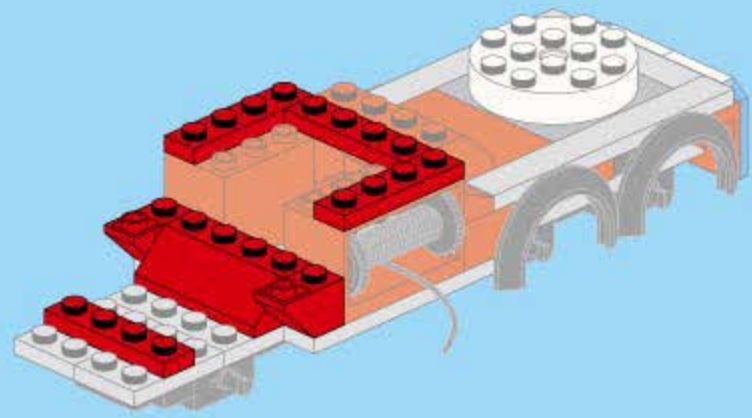
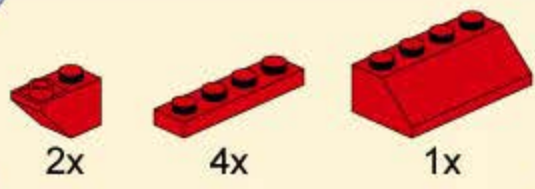
1x



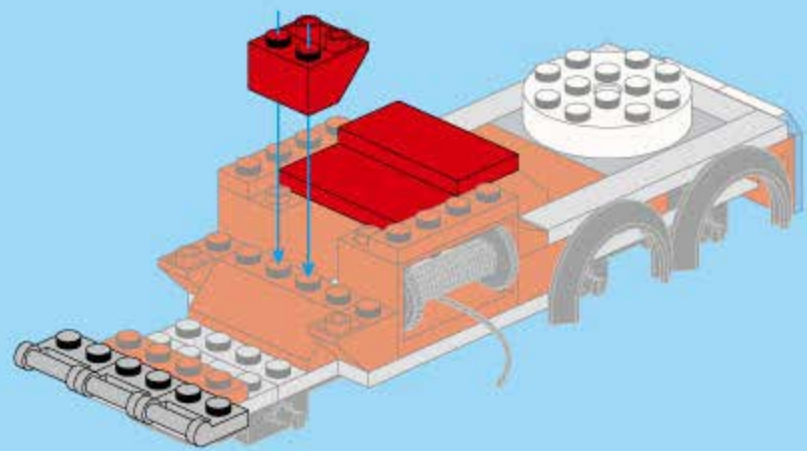
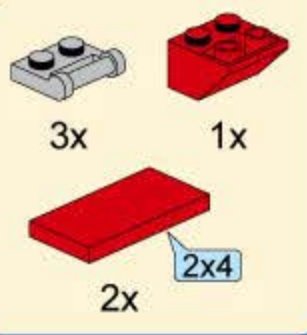
B10



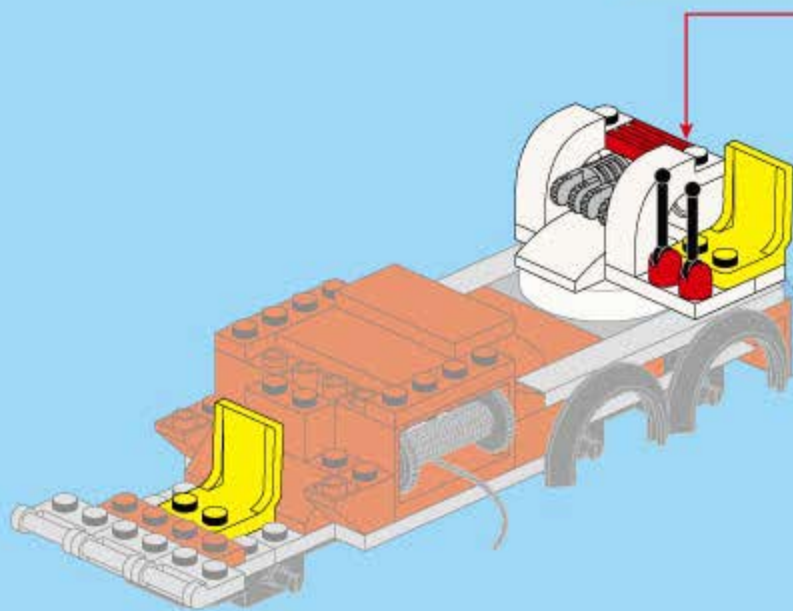
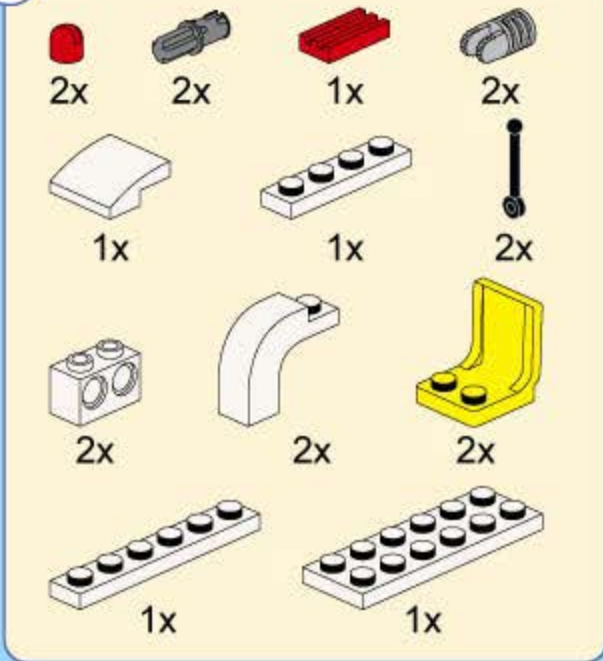
B11



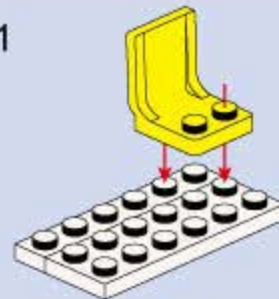
B12



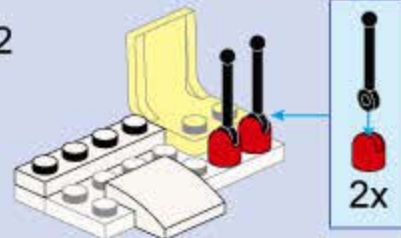
B13



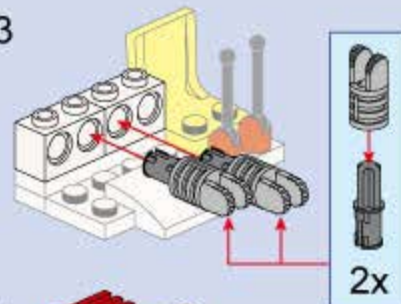
1



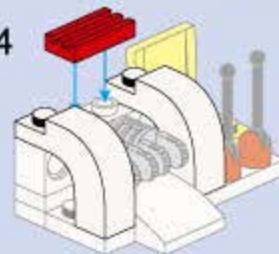
2



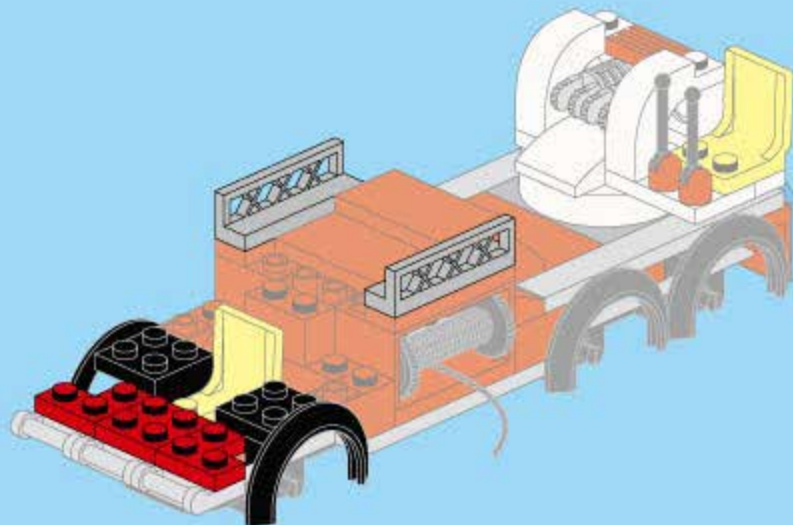
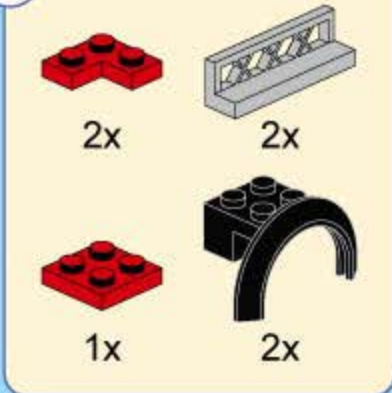
3



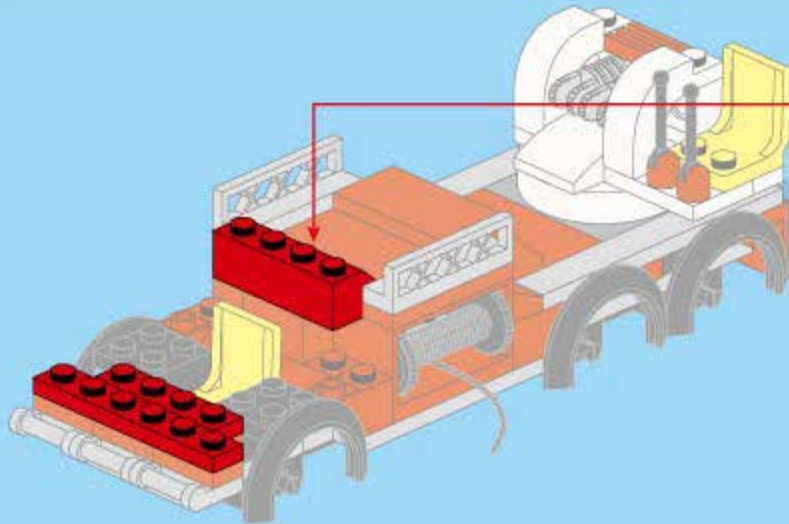
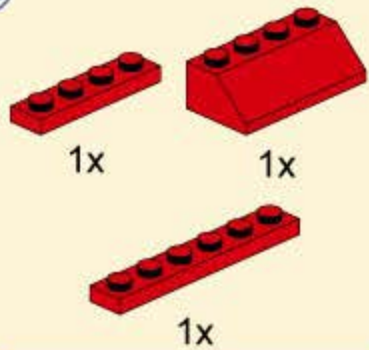
4



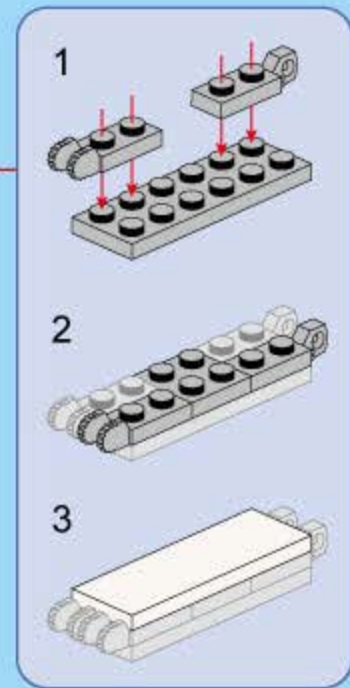
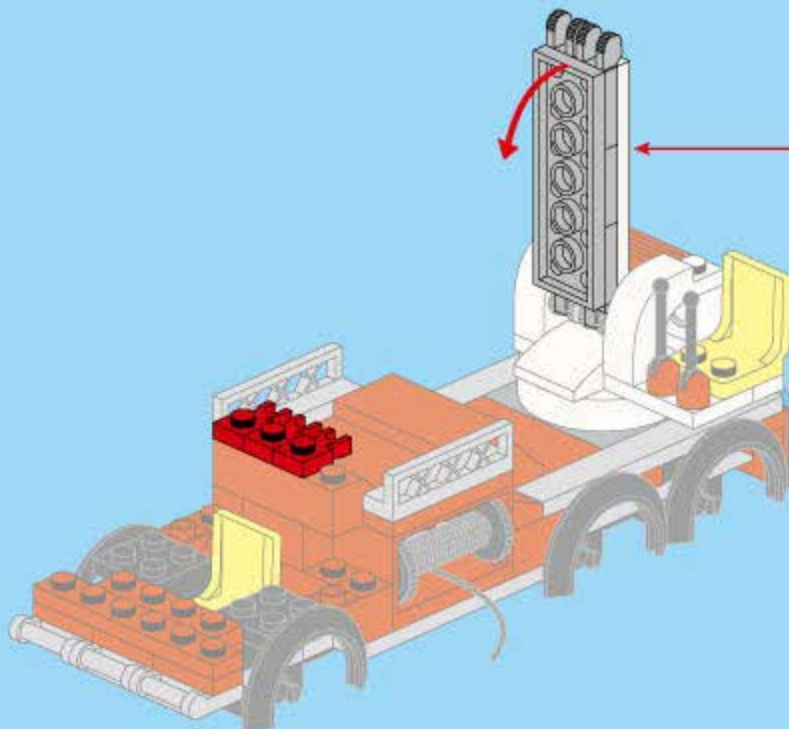
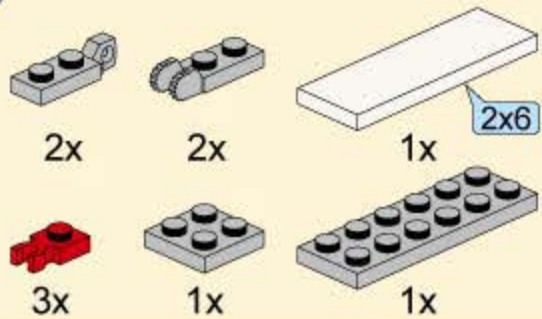
B14



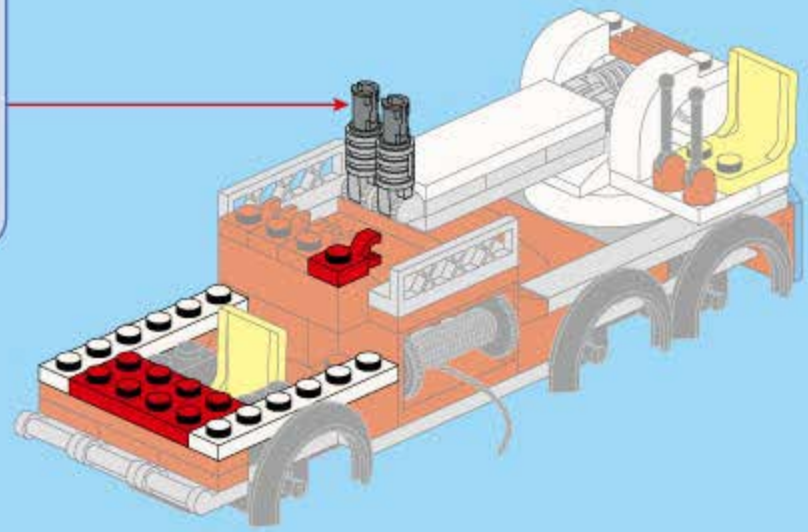
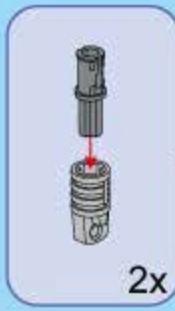
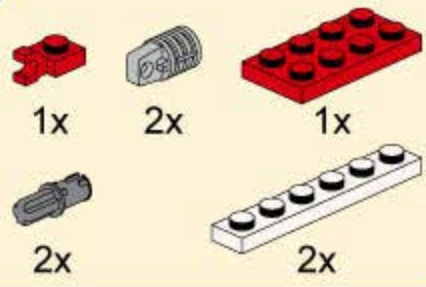
B15



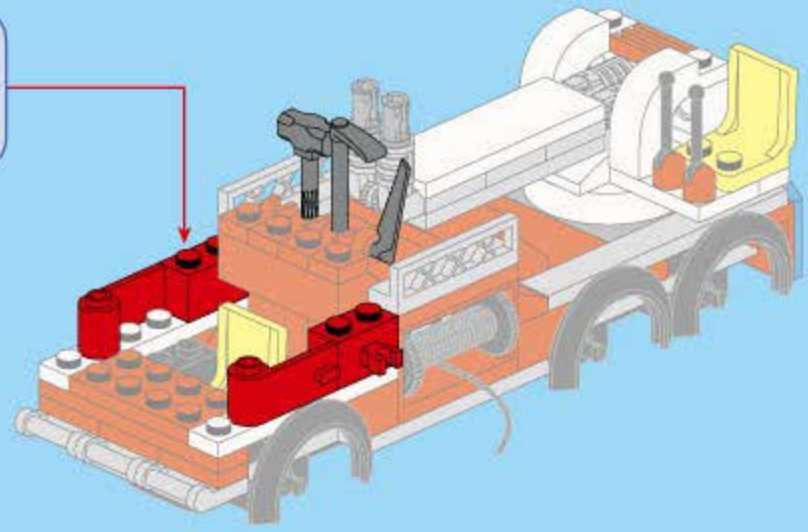
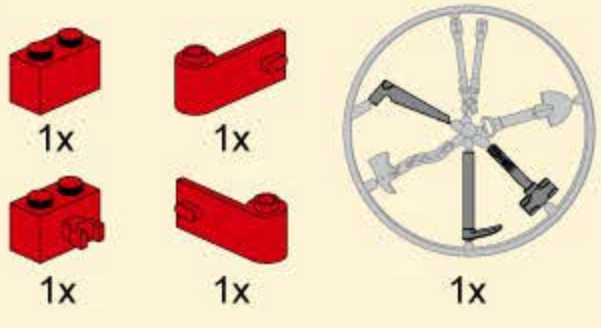
B16



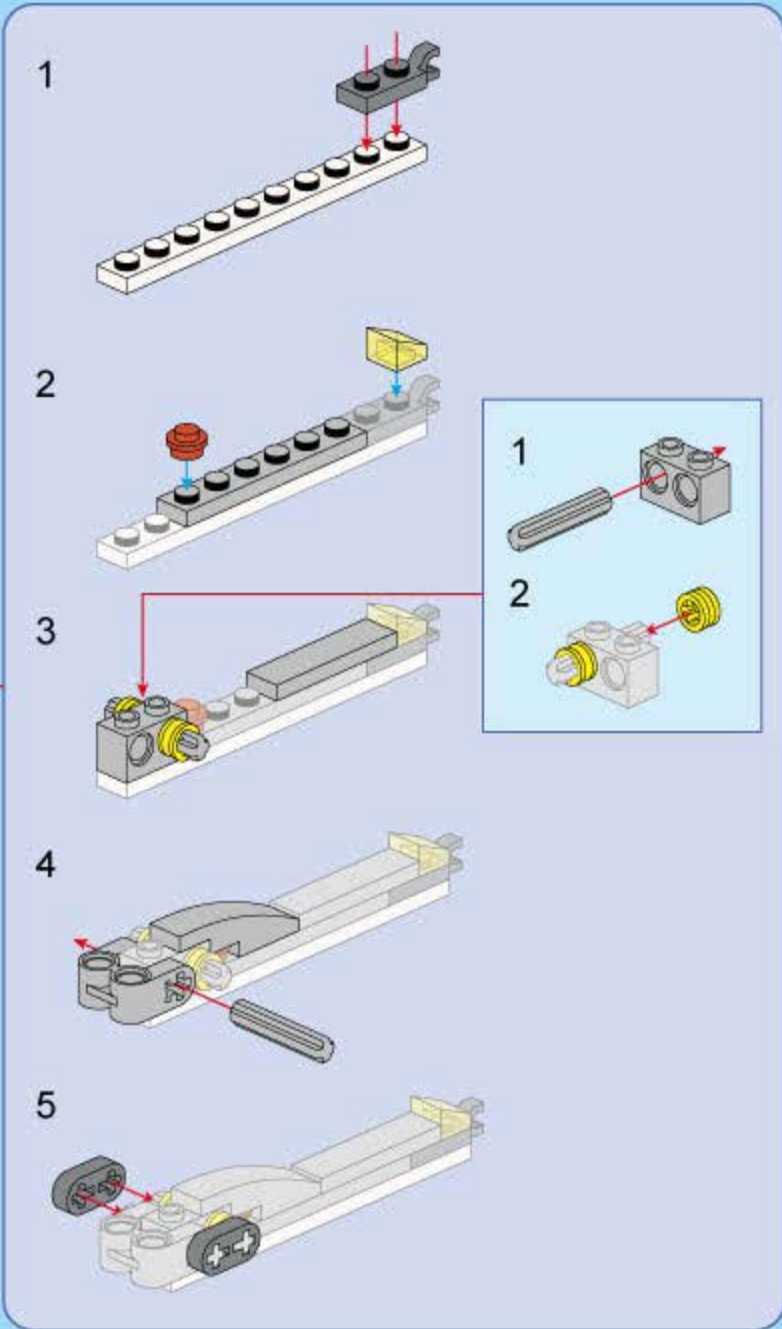
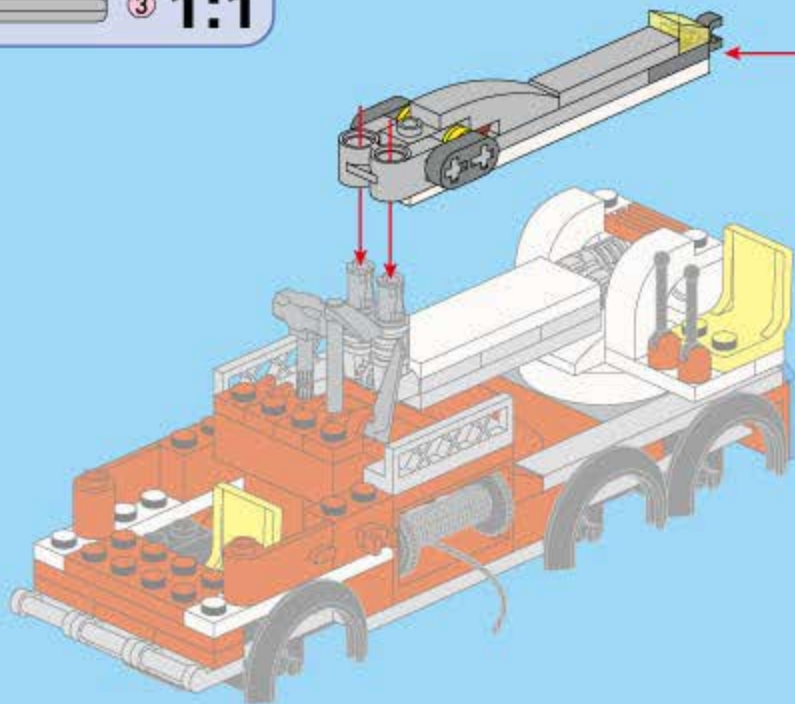
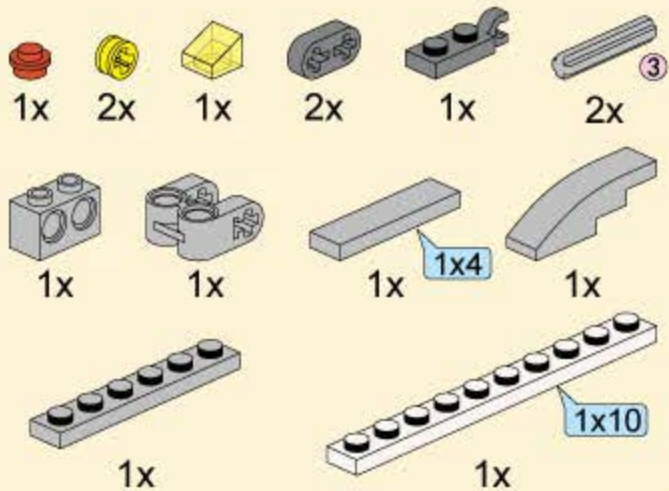
B17



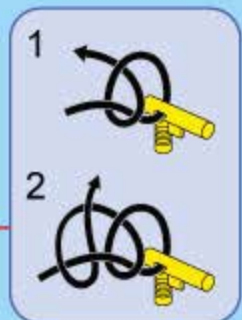
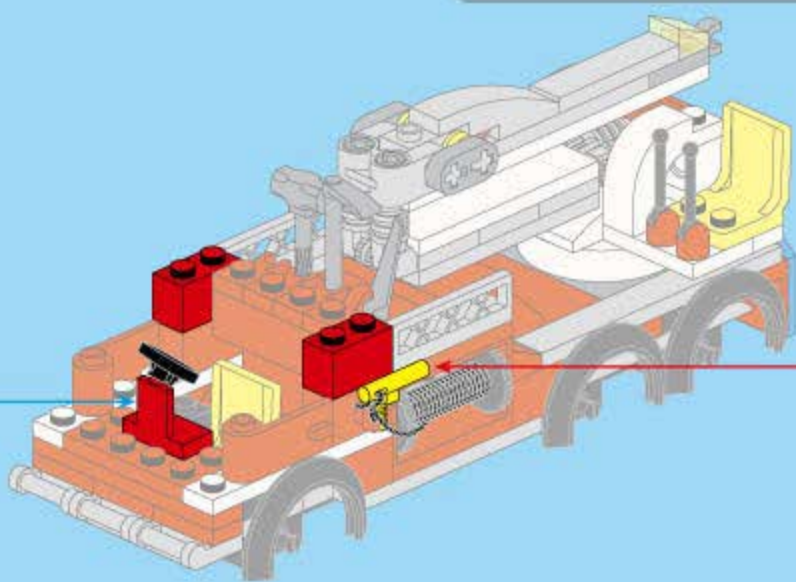
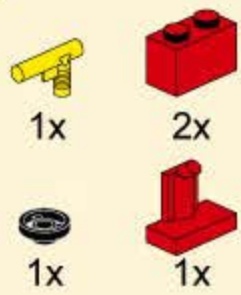
B18



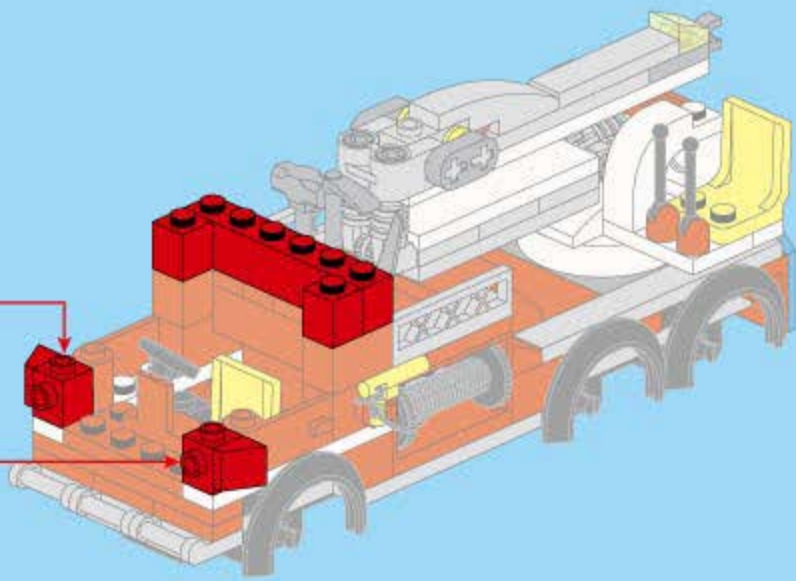
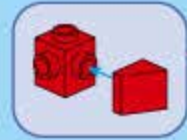
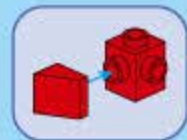
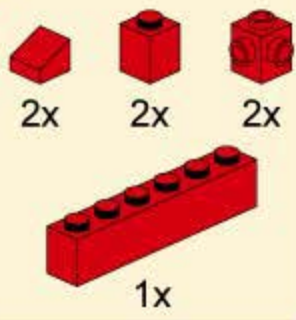
B19



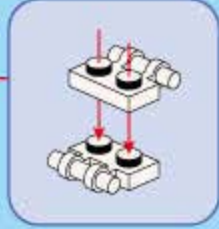
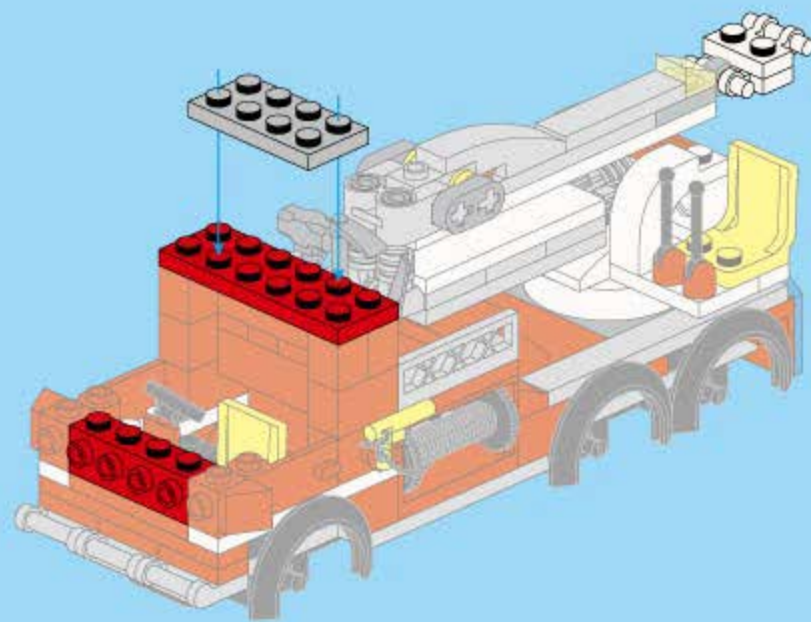
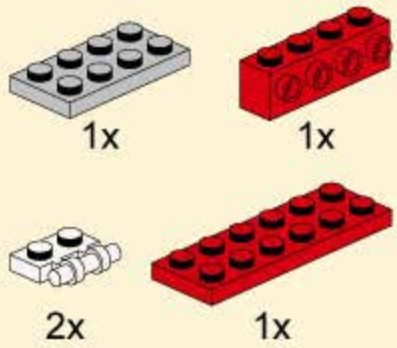
B20



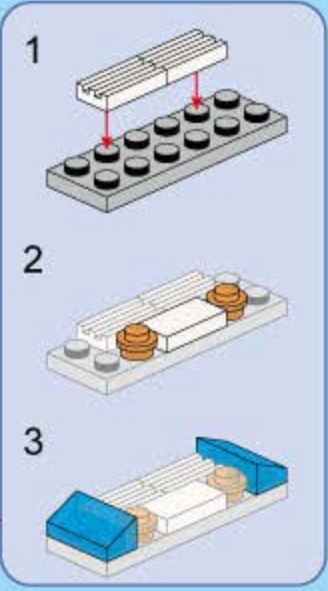
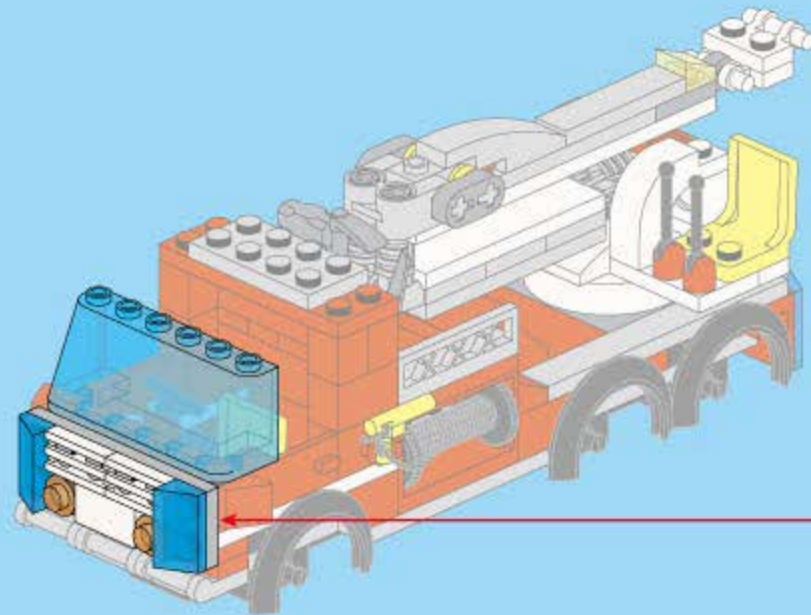
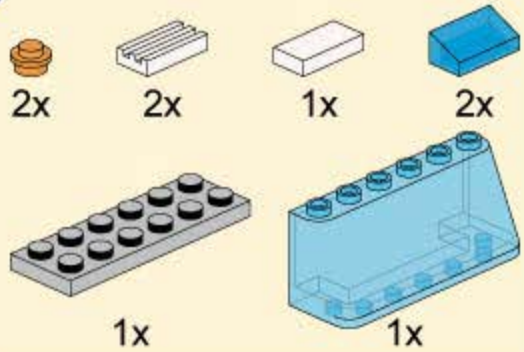
B21



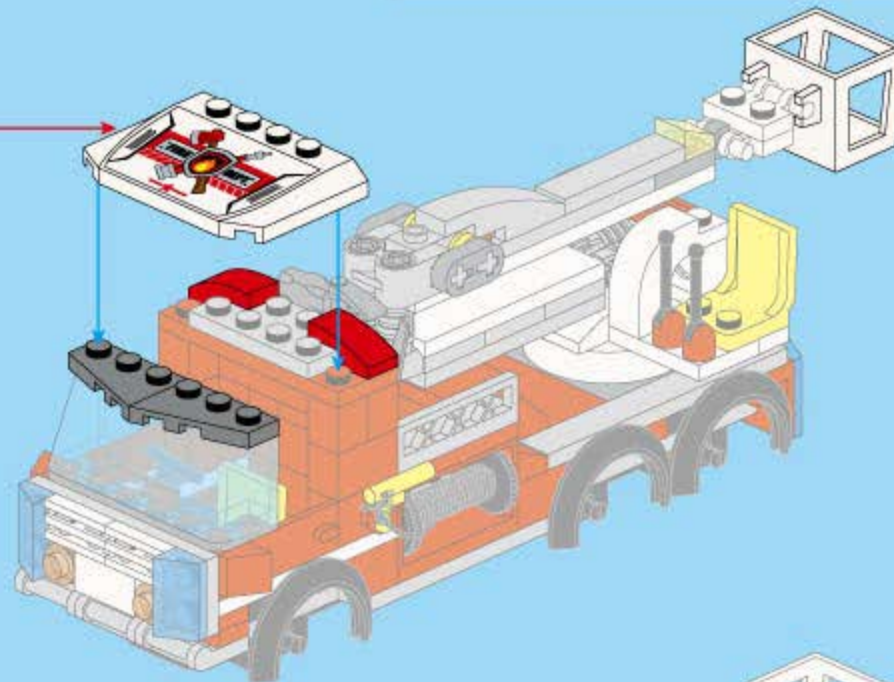
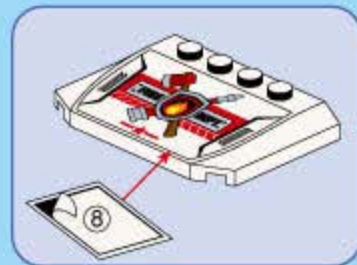
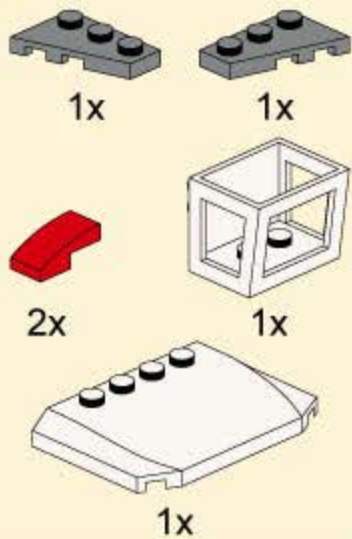
B22



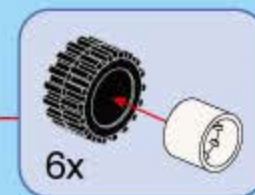
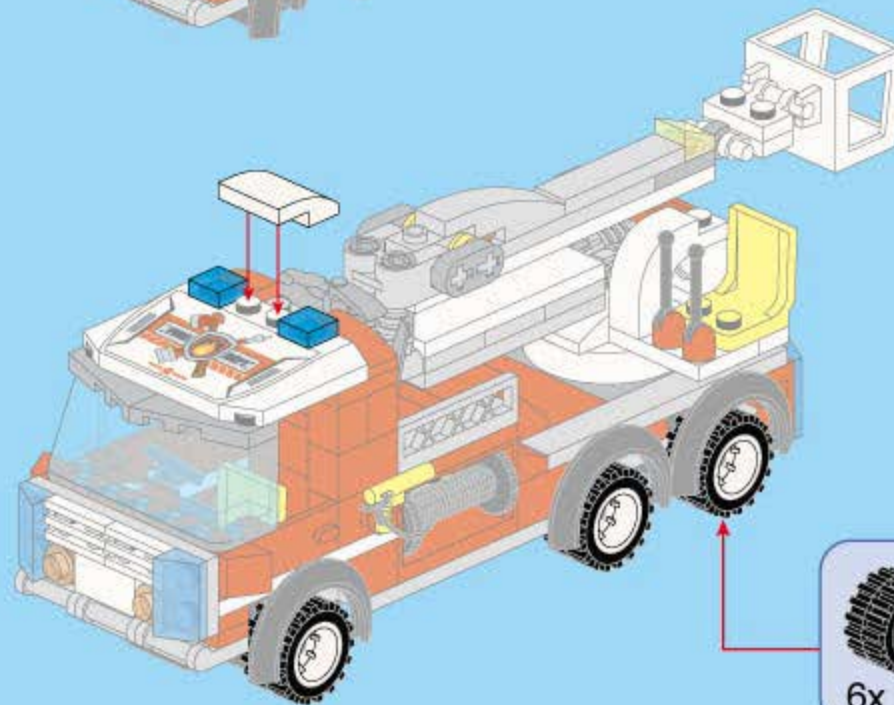
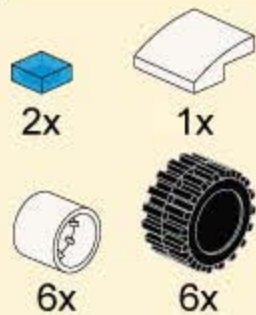
B23



B24



B25



FIRE RESCUE



2808



2801 MAINTENANCE CAR



2802 LIGHT ATTACK VEHICLE



2803 RESCUE HELICOPTER



2804 BOOKSTORE ON FIRE



2805 FOREST RANGER



2806 OFFSHORE FIELD CRISIS



2807 FIRE COMMAND TRUCK



2810 DOUBLE FIRE TRUCK ATTACK



2808 FIRE STATION



2809 AIRPORT FIRE FIGHTING