

Qman

3407

Ages: 6+

Minifigs: X8

Pcs: 1134

POWER
SQUAD

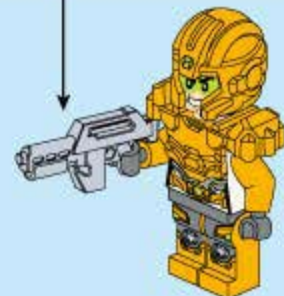
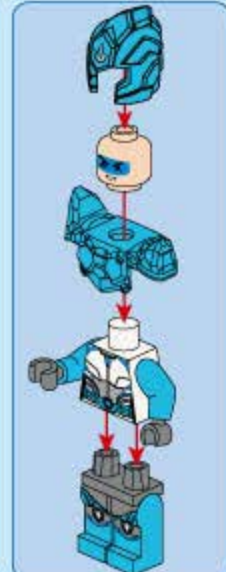
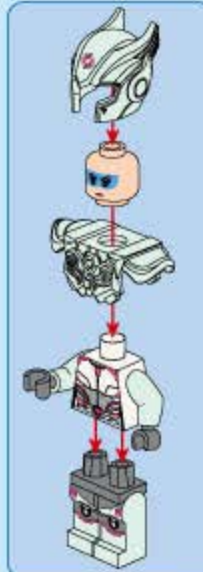
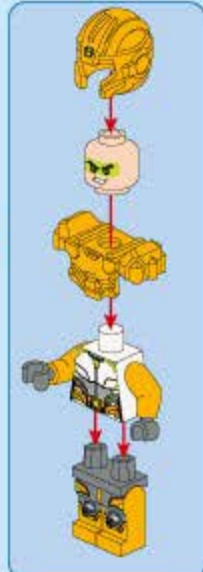
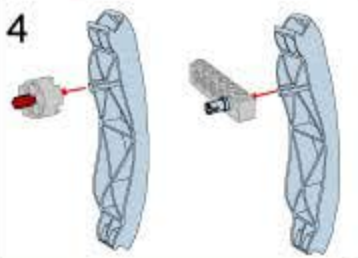
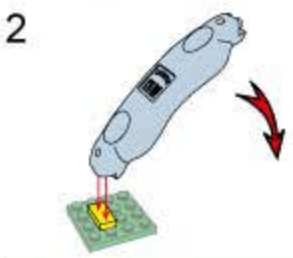
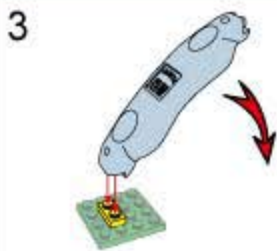
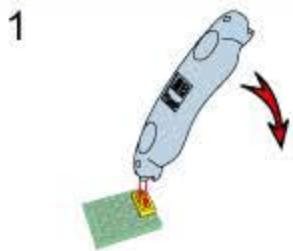


Swirling Flame Battle Car



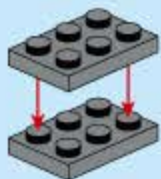
拆件器使用方法，仅为示例

Usage of Brick Separator, Just for the sample

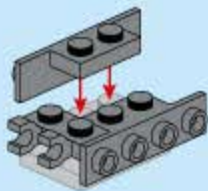




A1



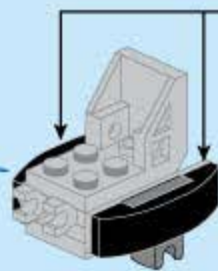
A2



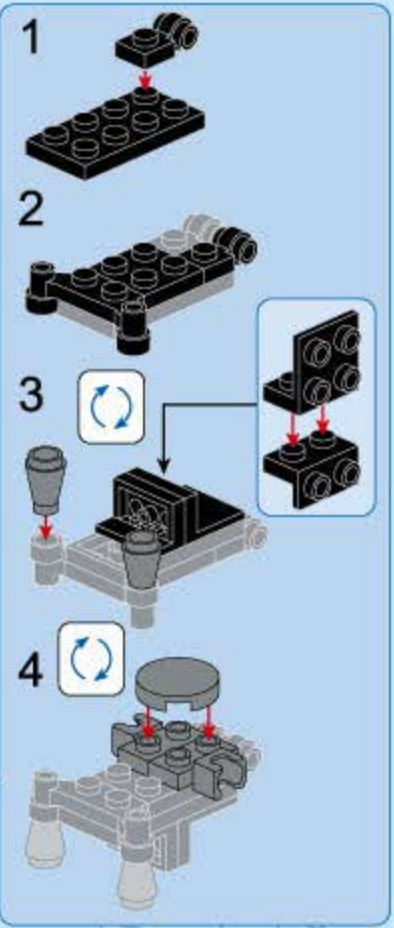
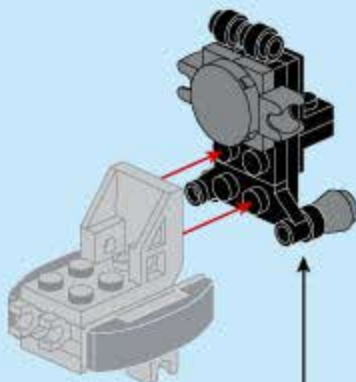
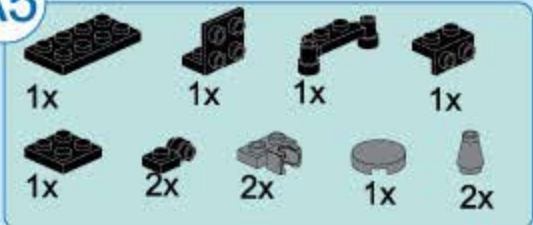
A3











A4

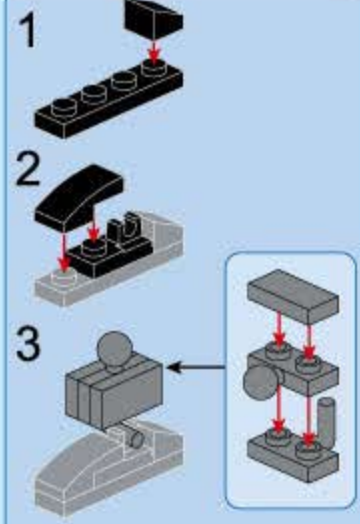
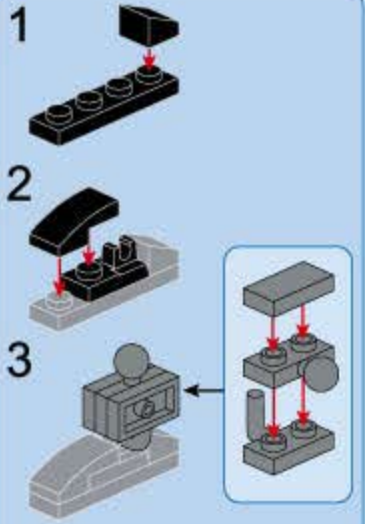


A5










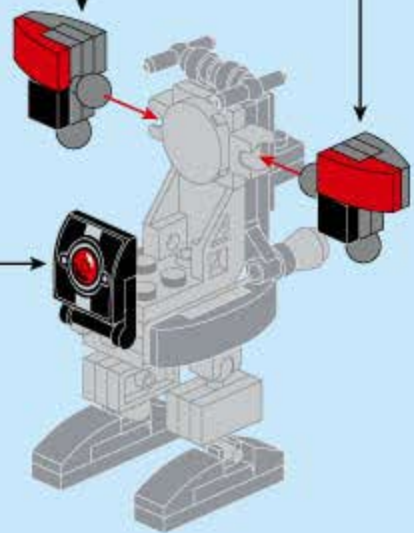
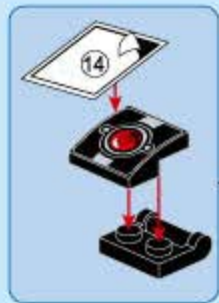
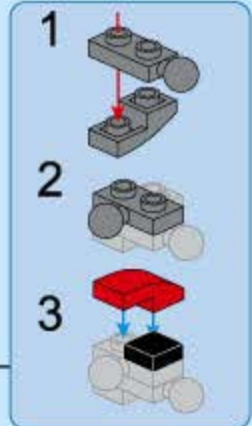
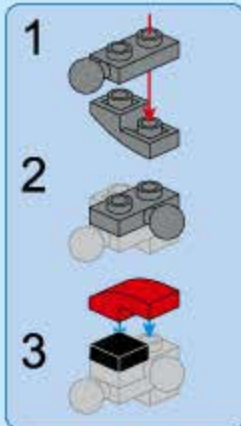
A6

- 2x 
- 2x 
- 2x 
- 2x 
- 2x 
- 2x 
- 2x 
- 2x 



A7

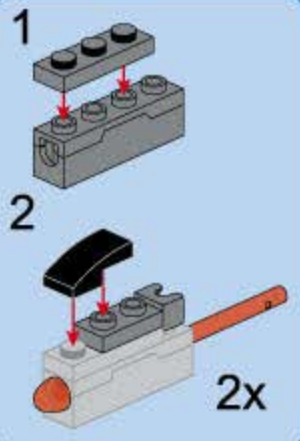
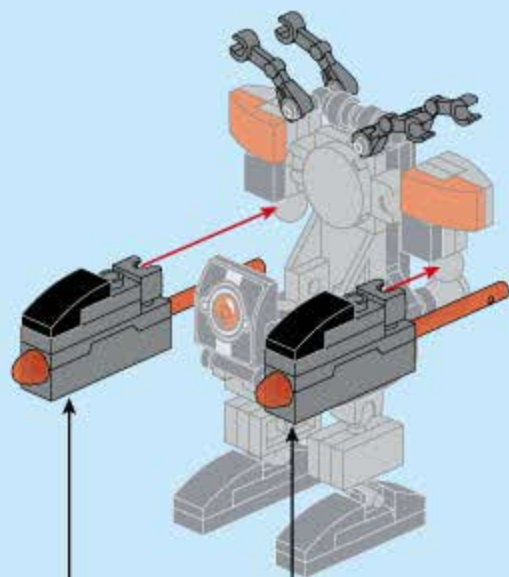
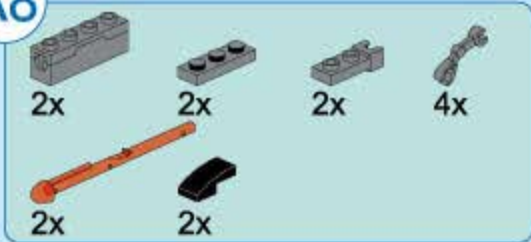
- 1x 
- 1x 
- 2x 
- 2x 
- 2x 
- 2x 
- 2x 



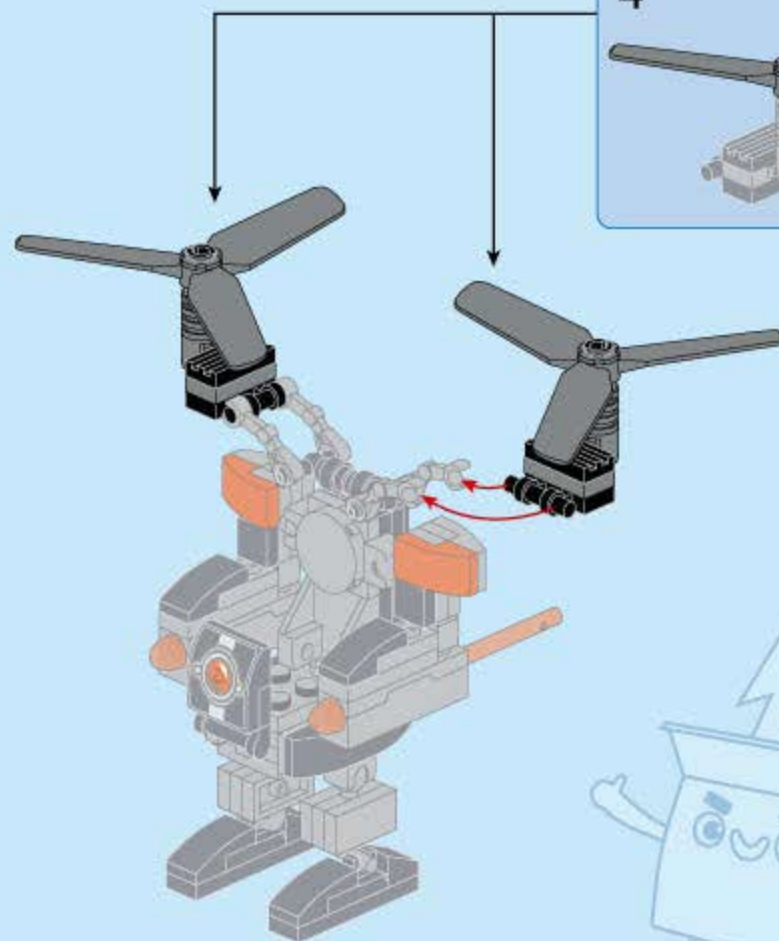
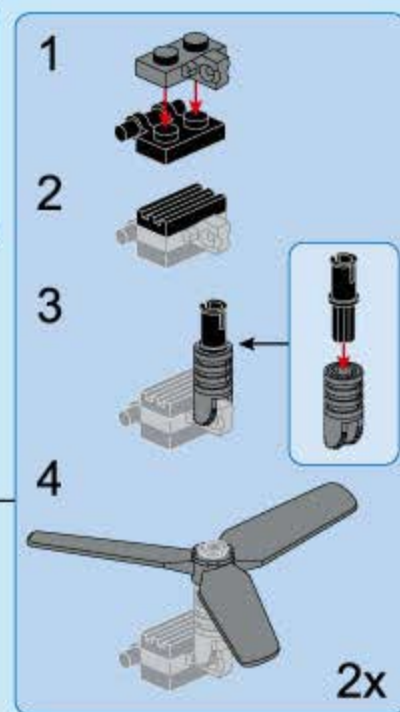
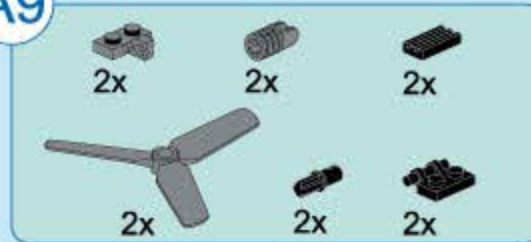
3

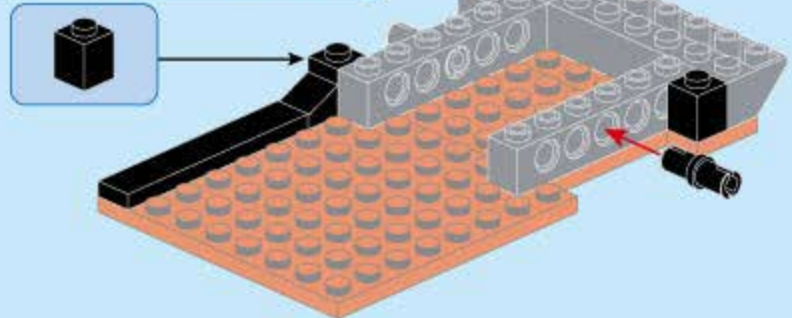
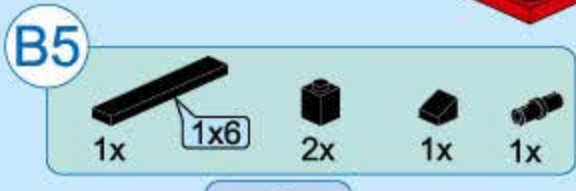
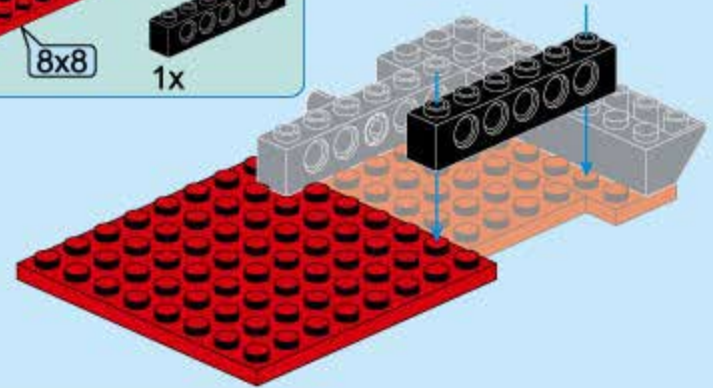
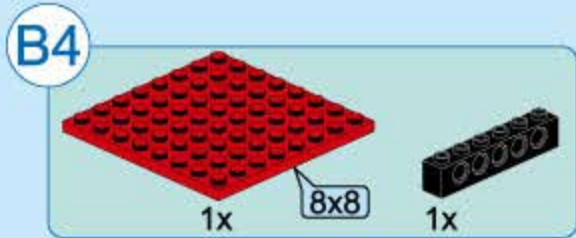
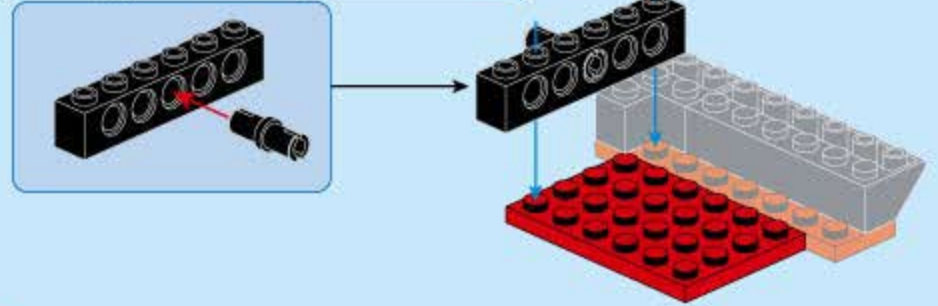
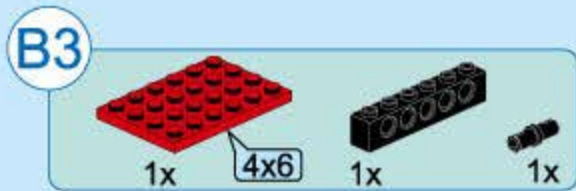
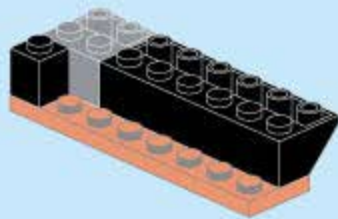
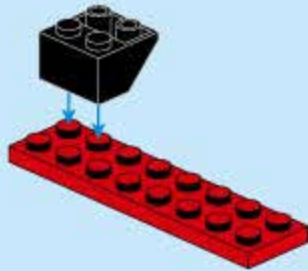
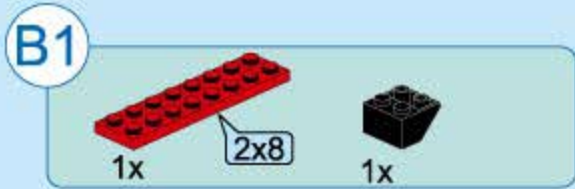


A8

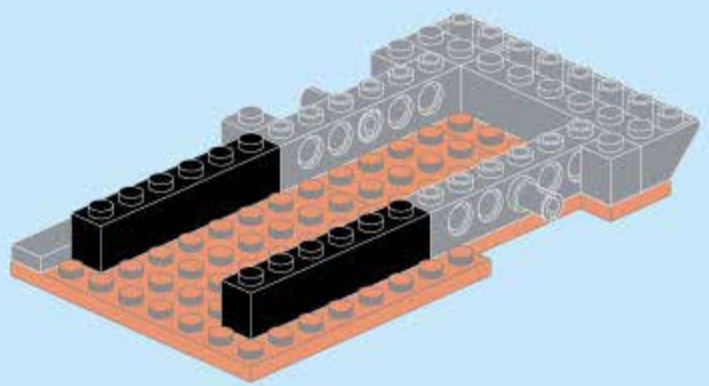


A9

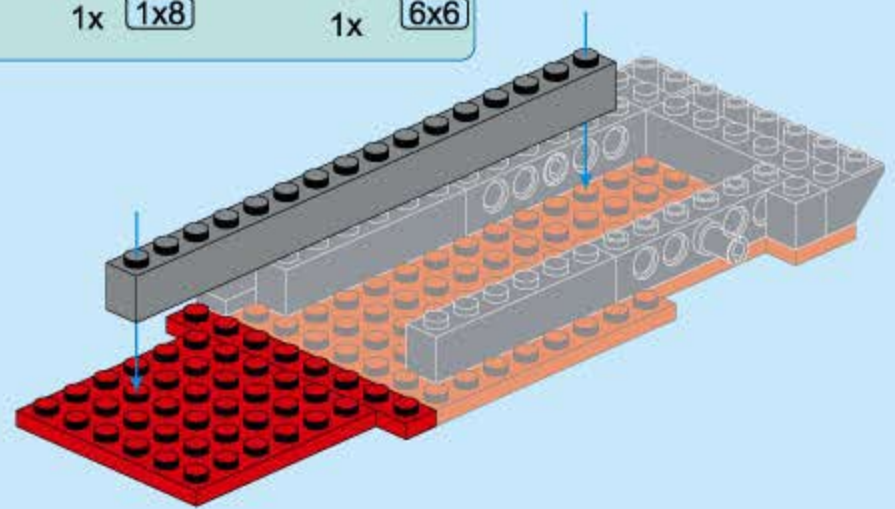
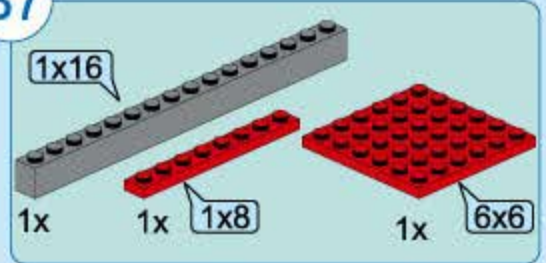




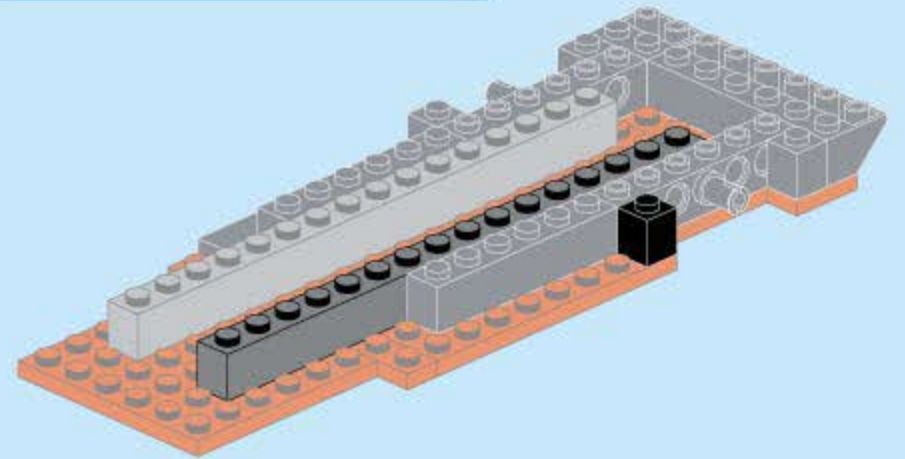
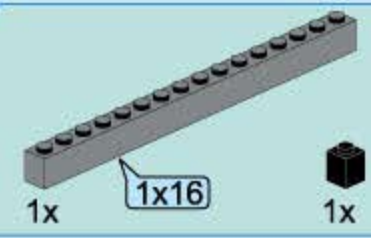
B6



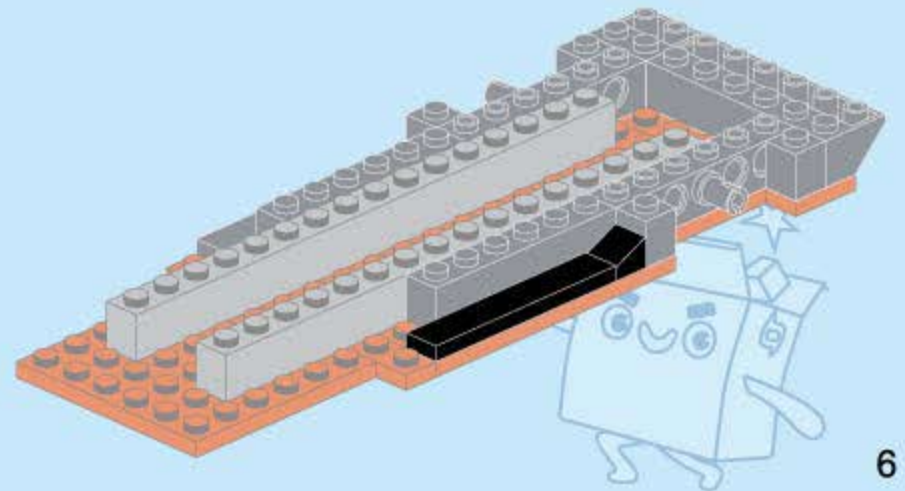
B7

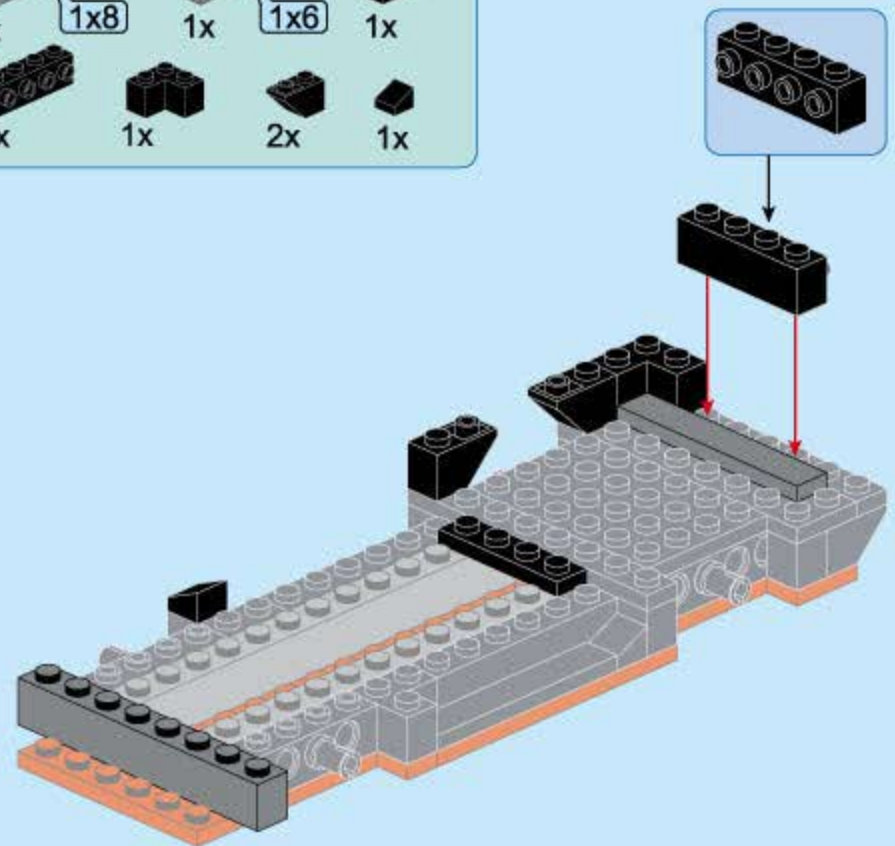
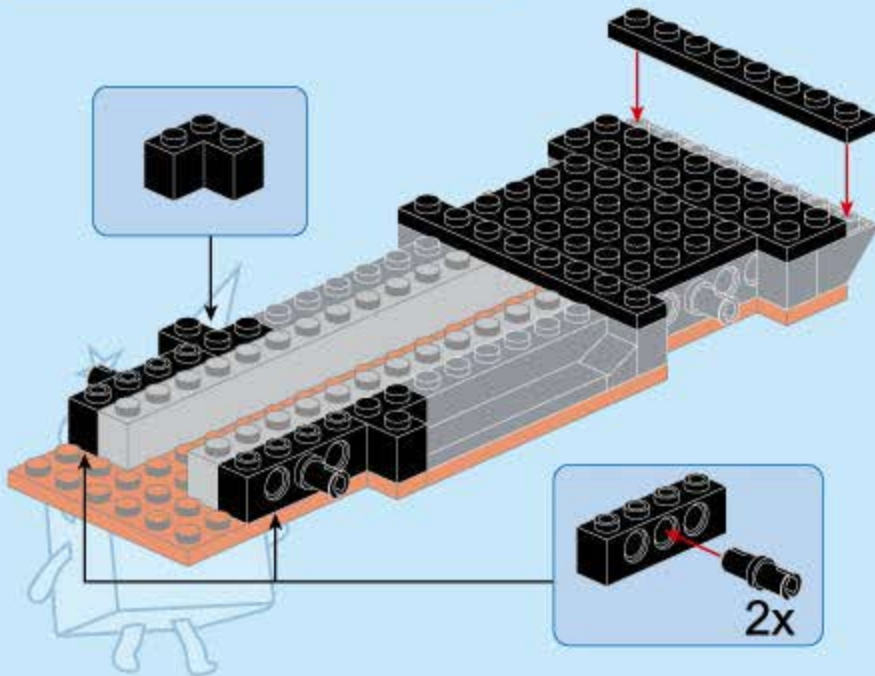
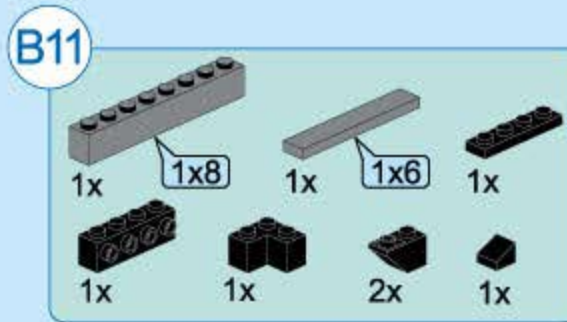
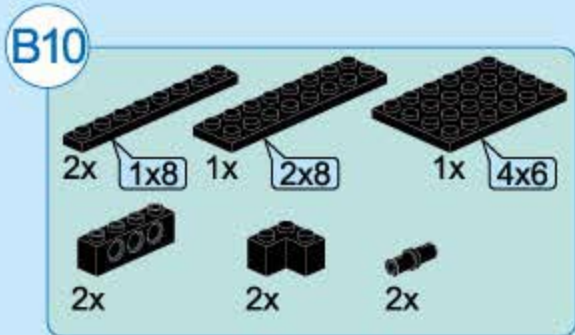
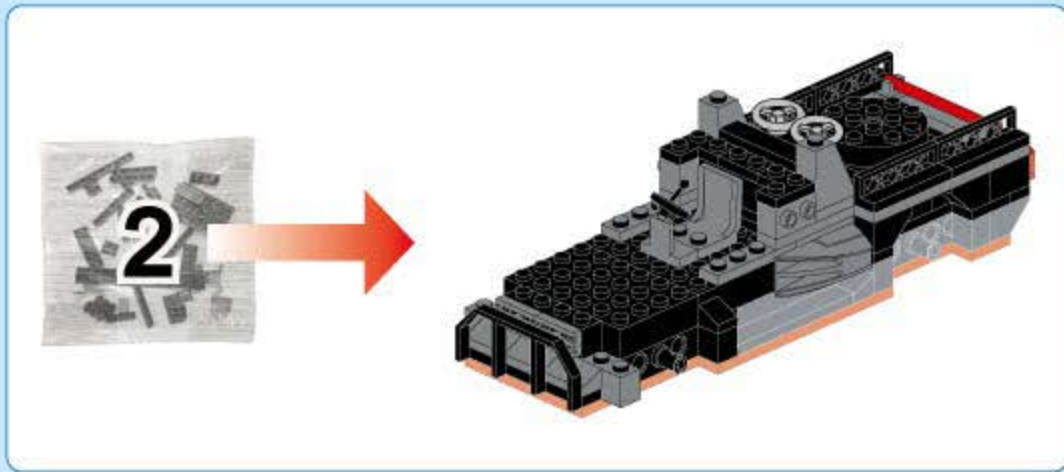


B8

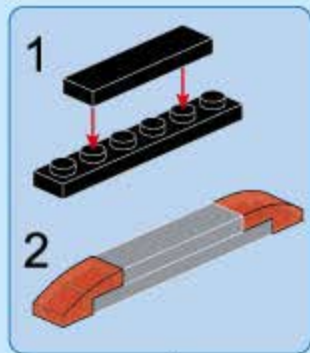
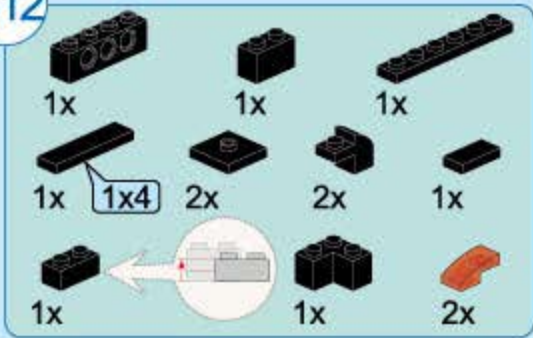


B9

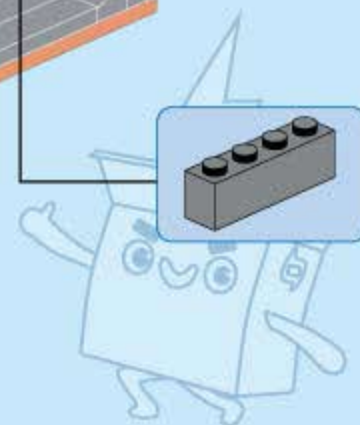
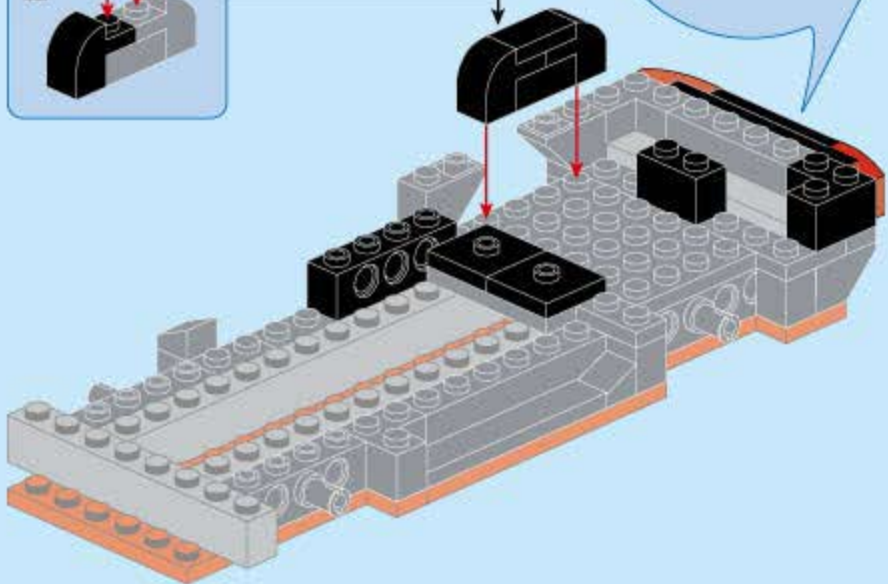
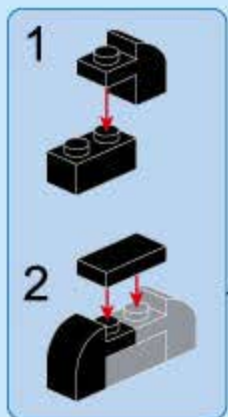
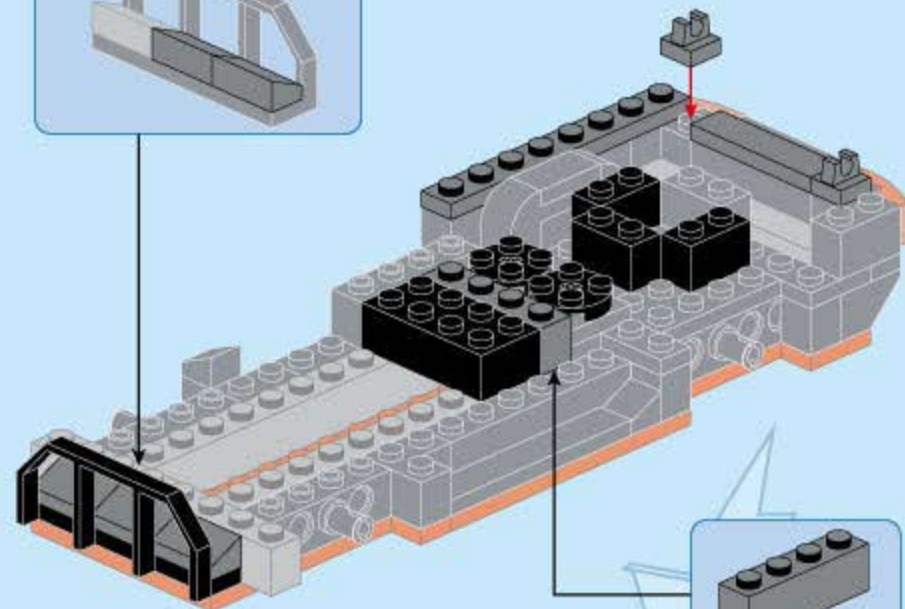
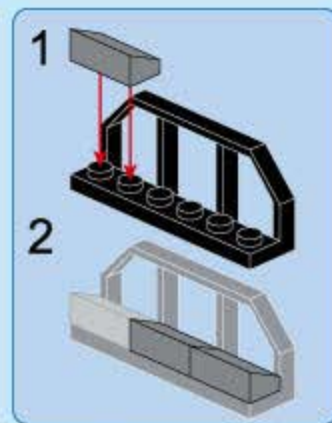
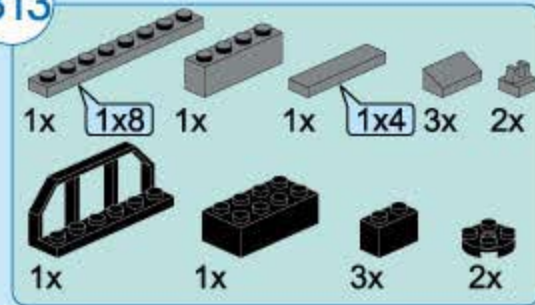




B12



B13



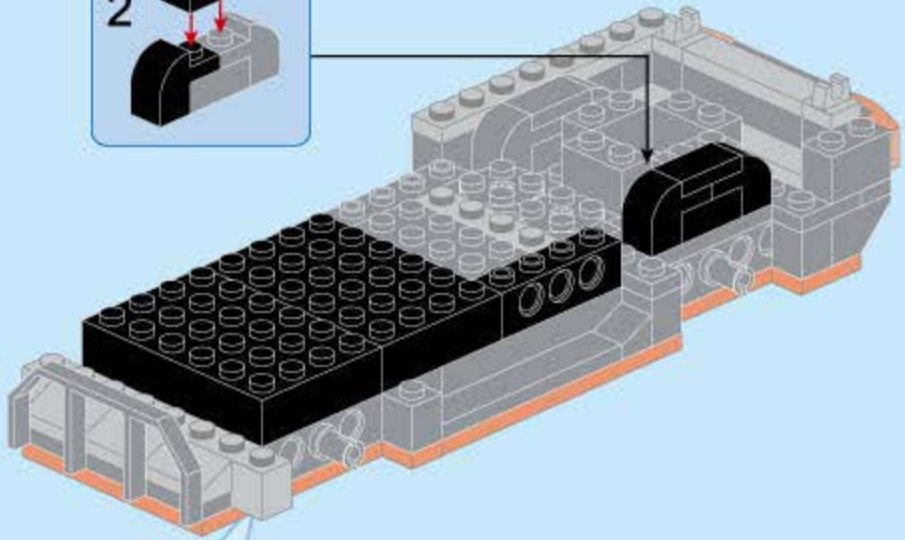
B14

2x 4x6 2x 1x

1x 1x

1

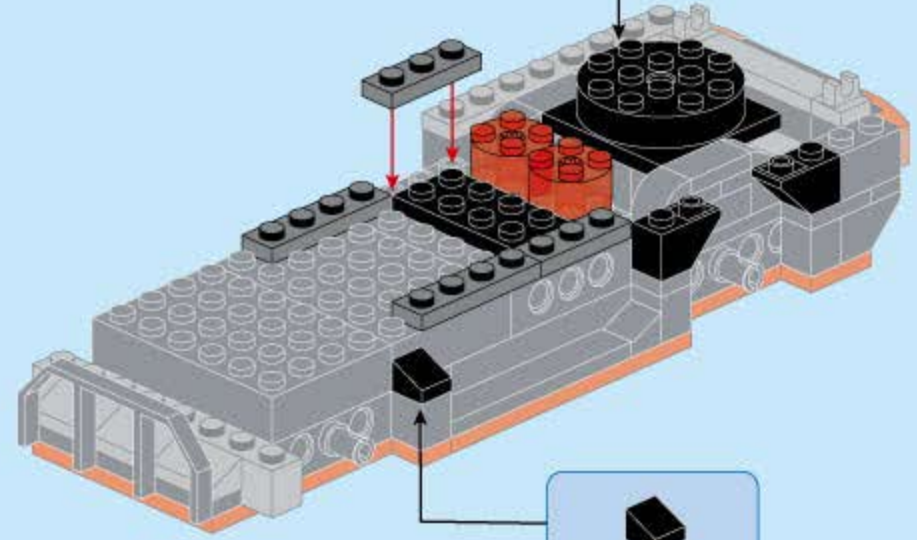
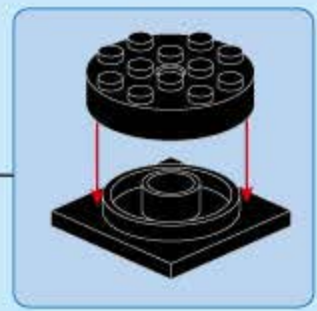
2



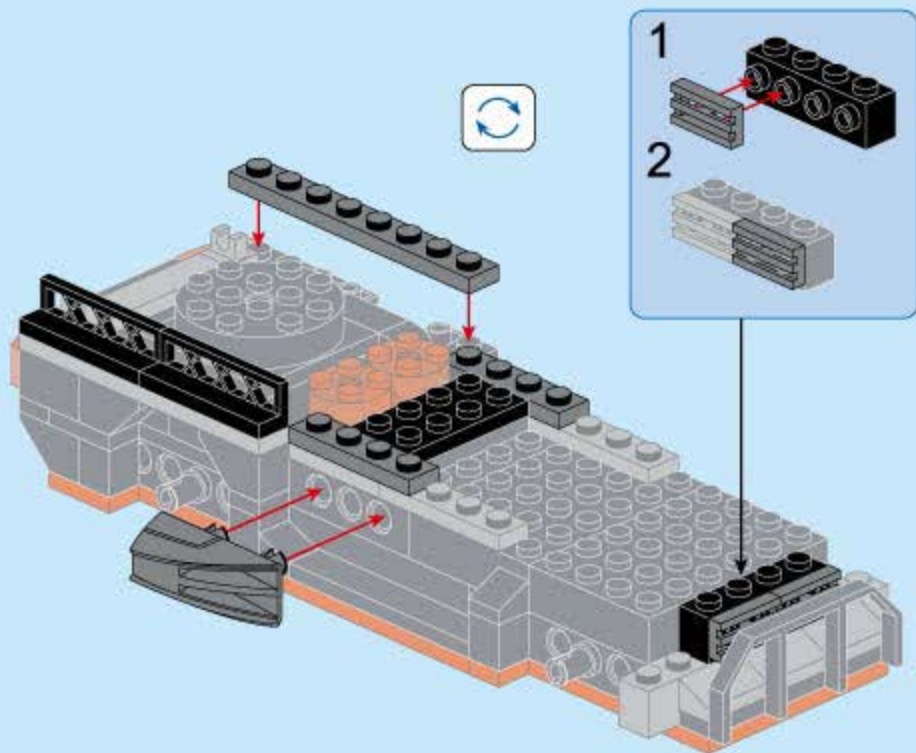
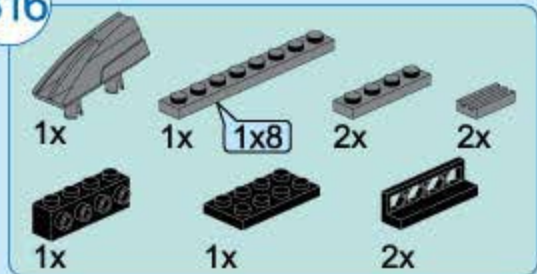
B15

1x 1x 1x 2x

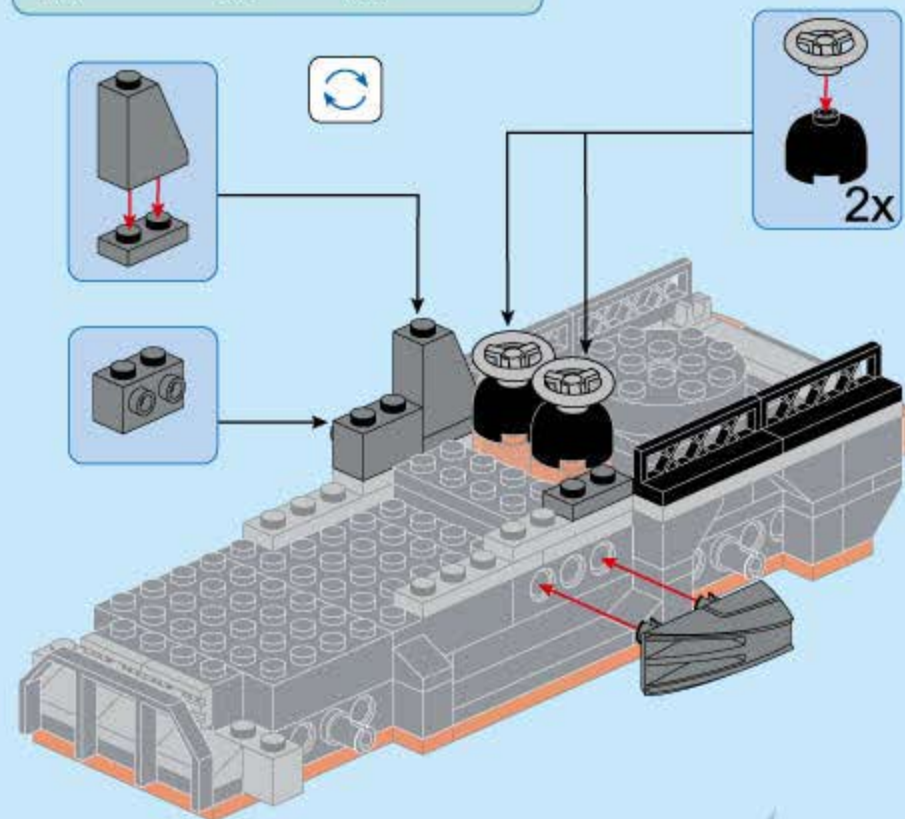
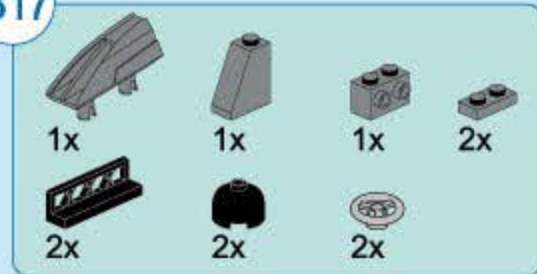
1x 2x 2x 2x



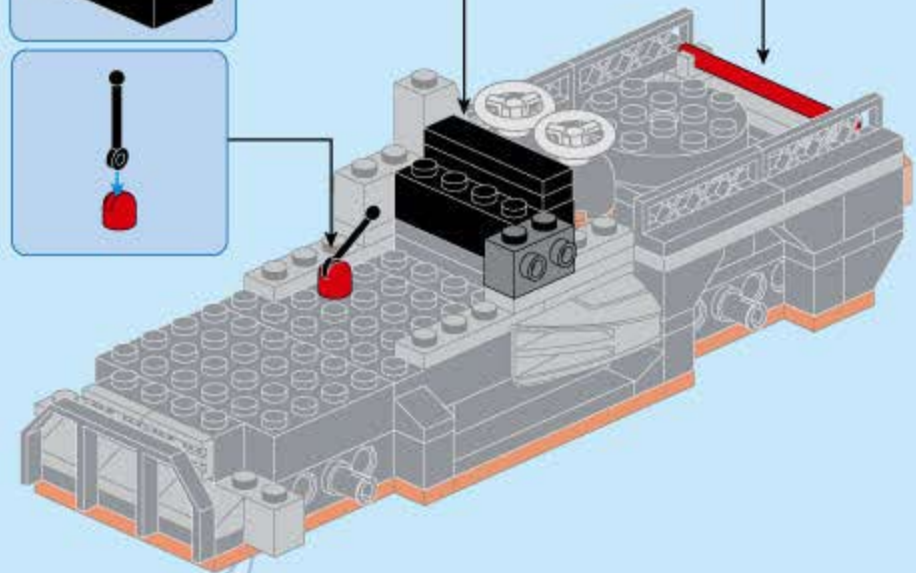
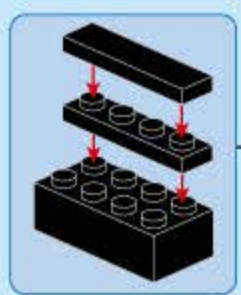
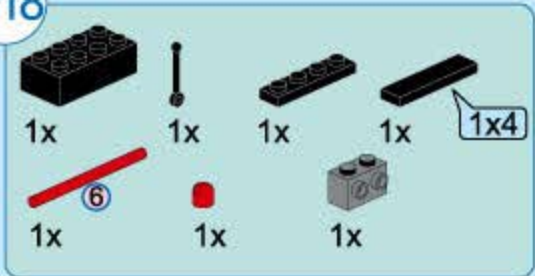
B16



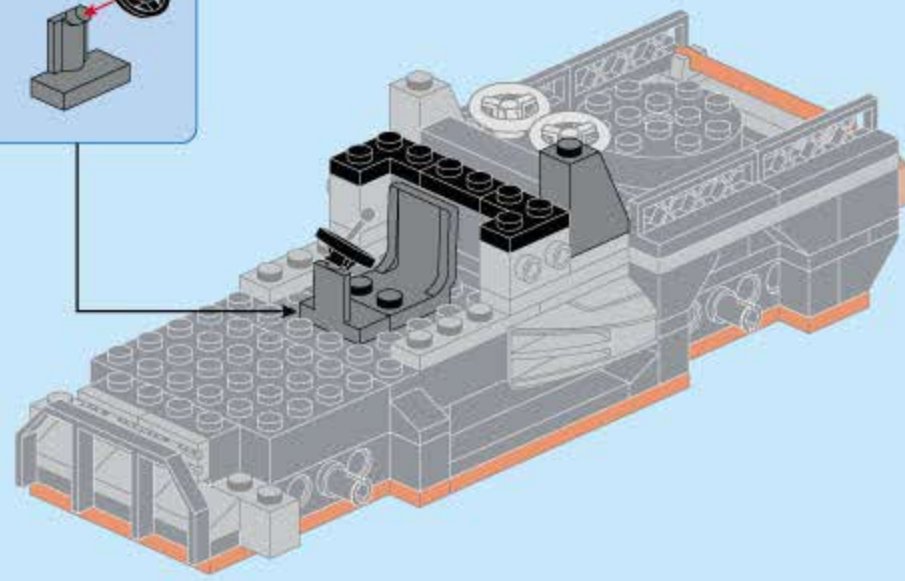
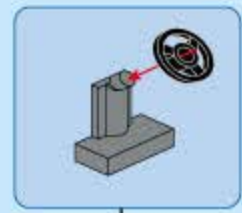
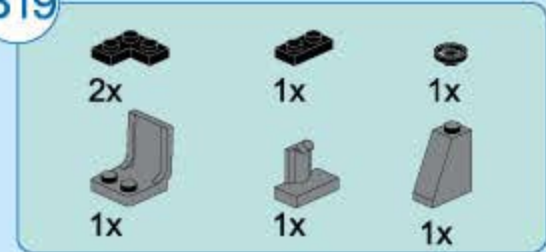
B17

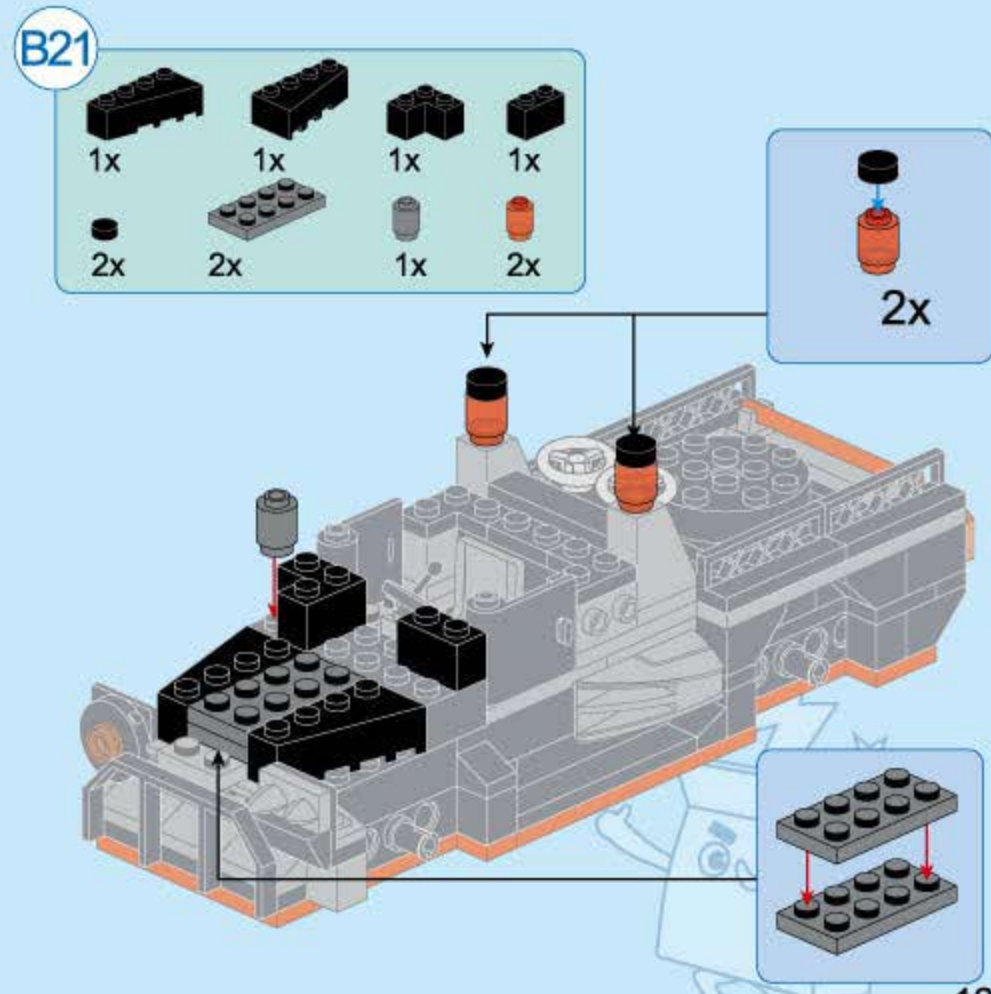
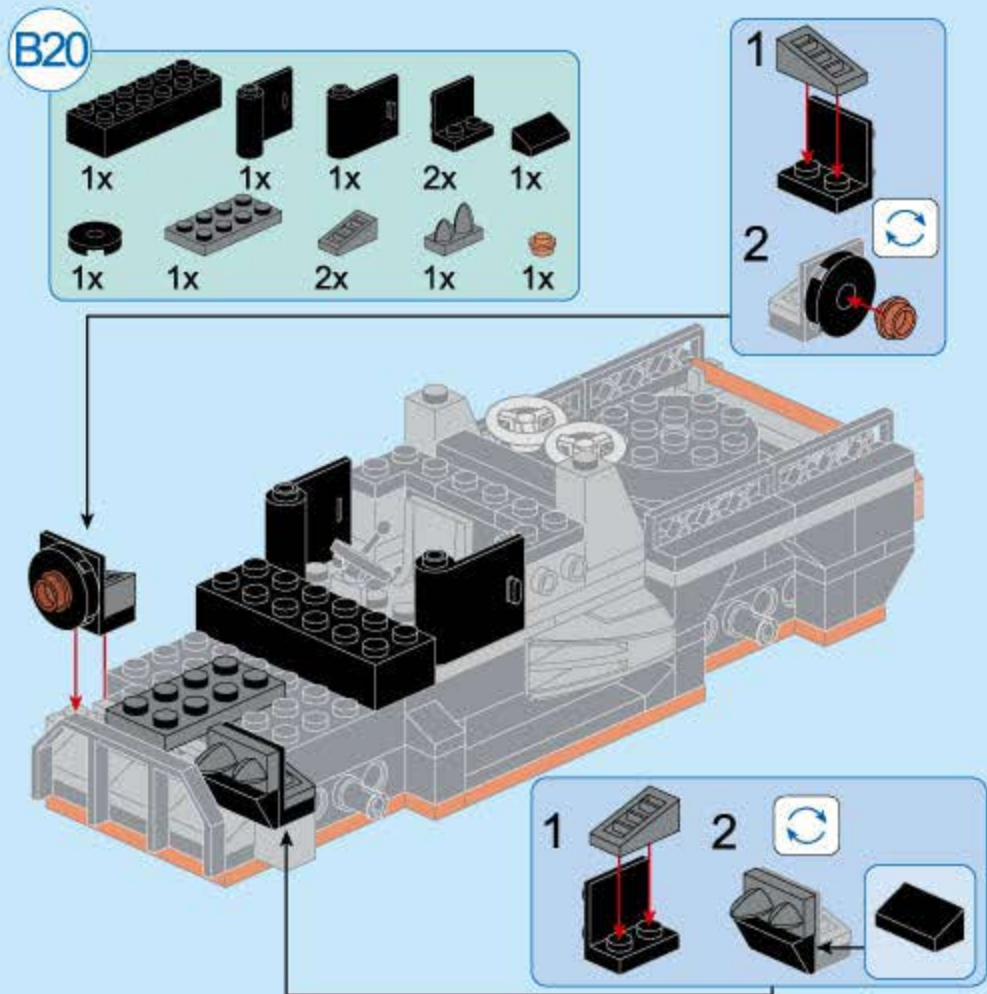
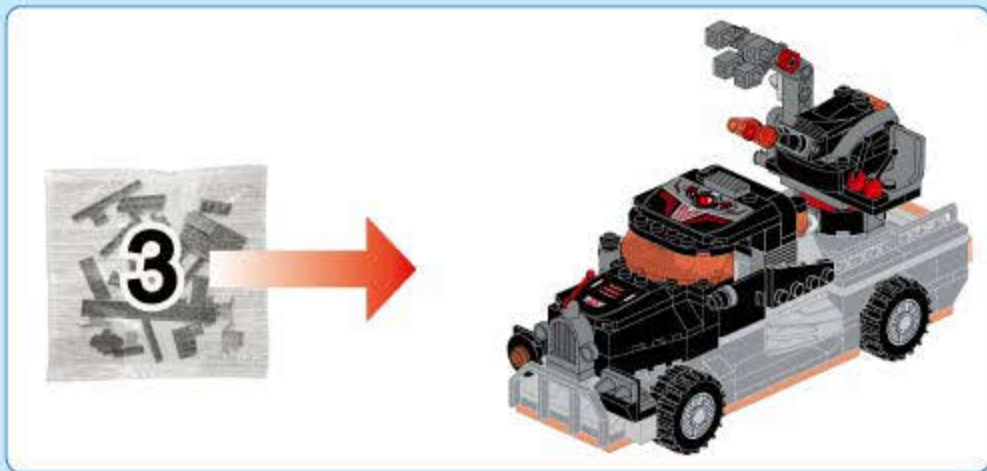


B18

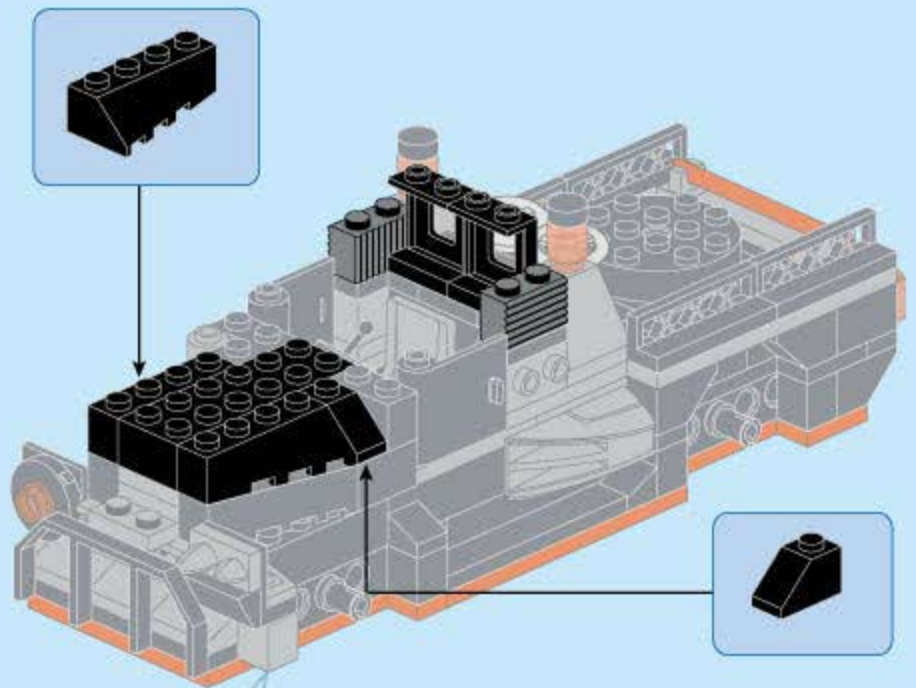
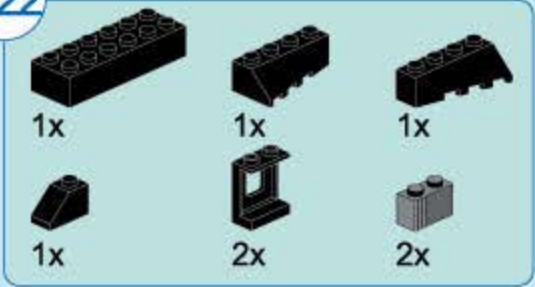


B19

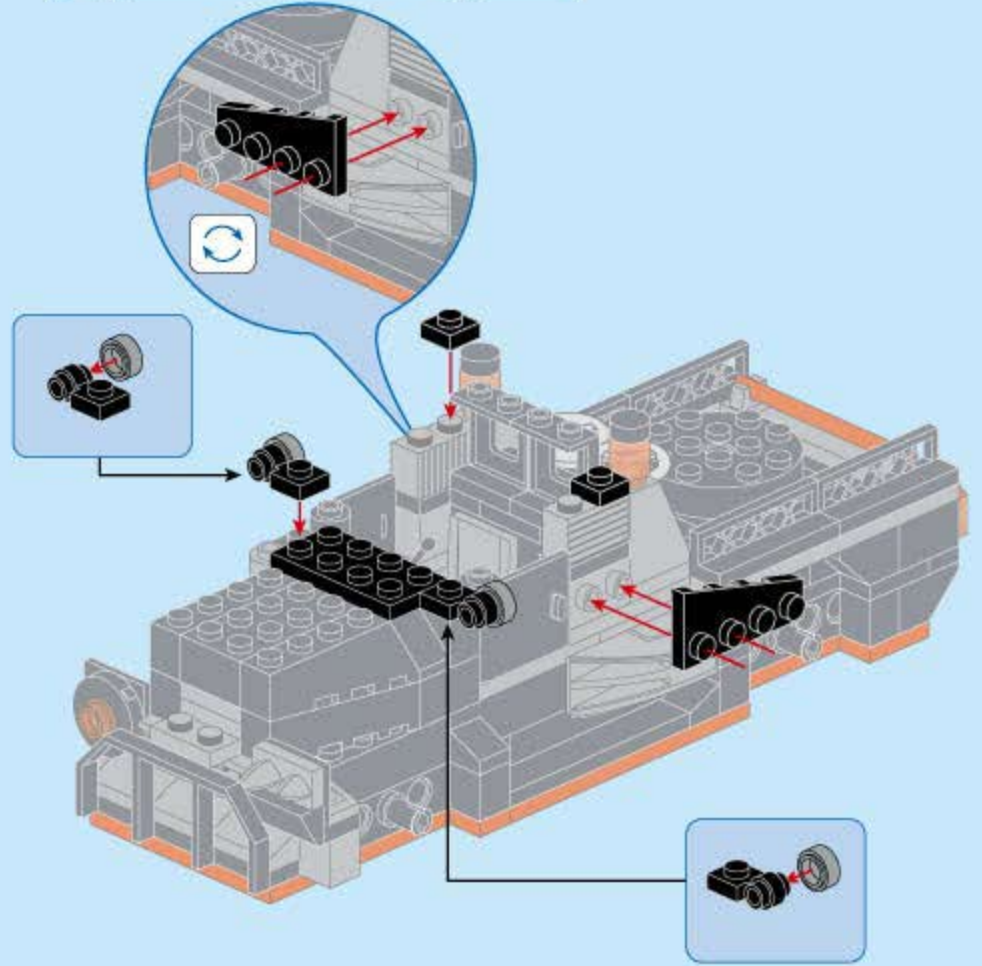
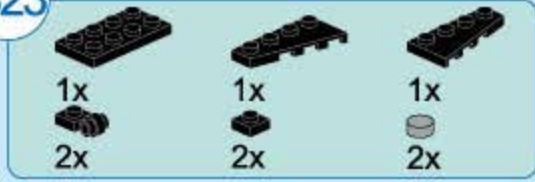




B22



B23



B24



2x



2x



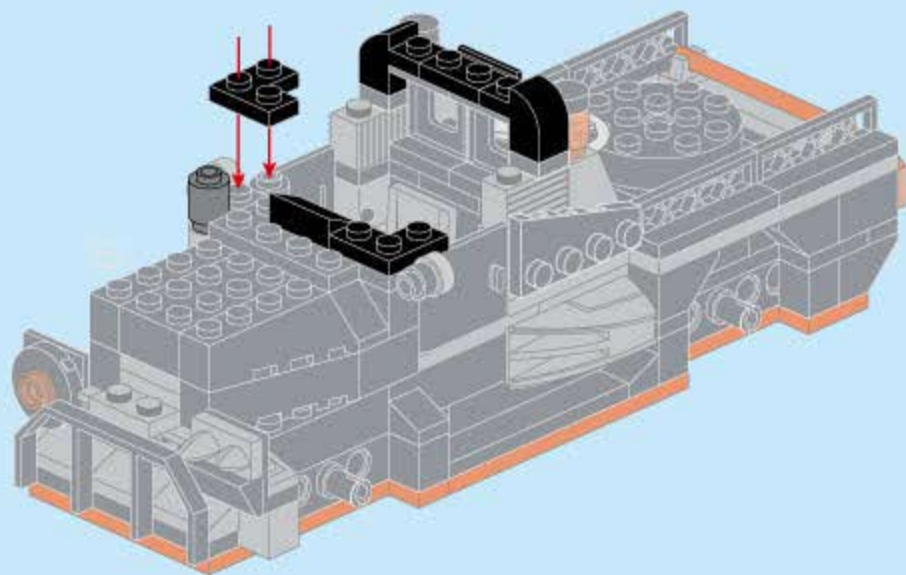
1x



1x



1x



B25



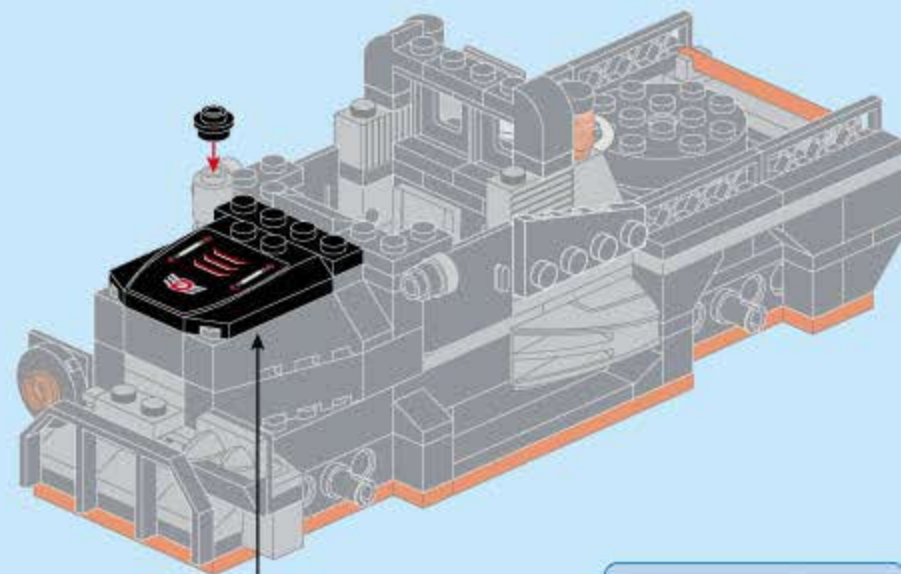
1x



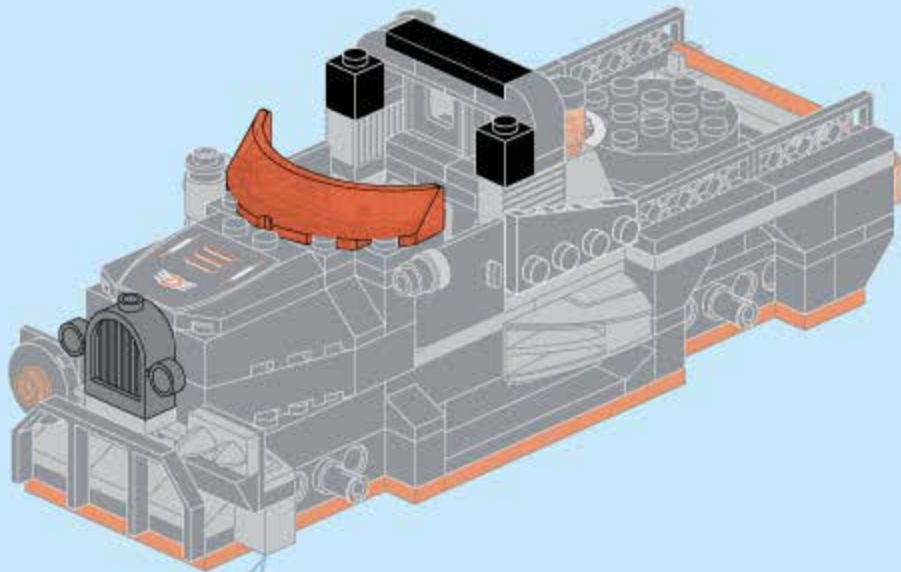
1x



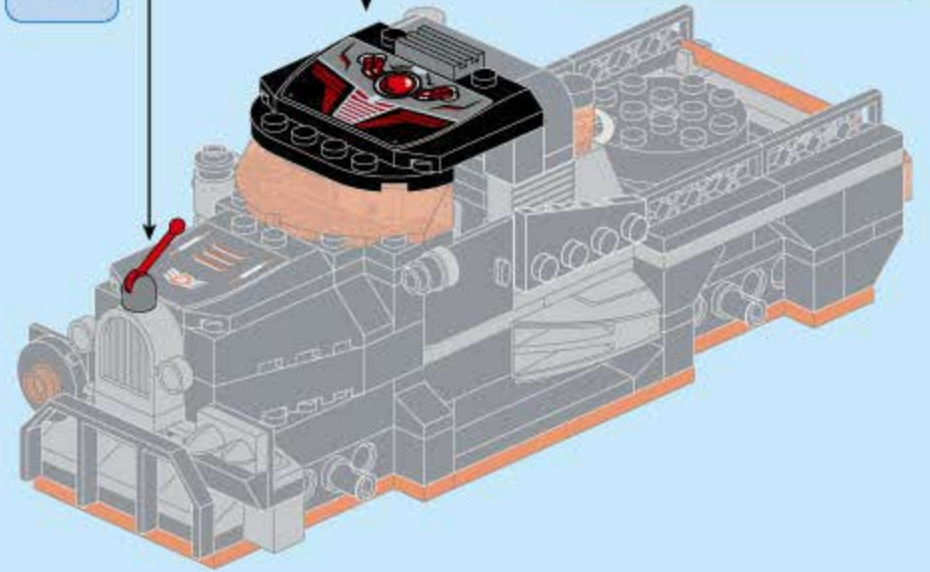
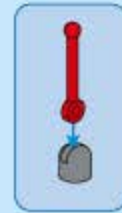
1x

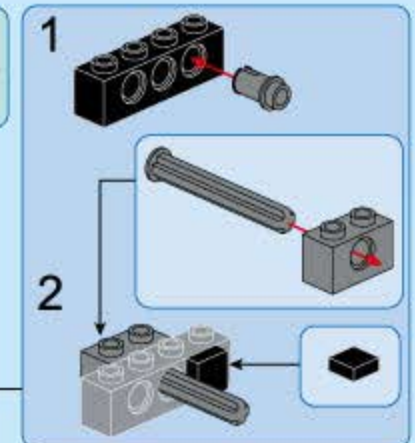
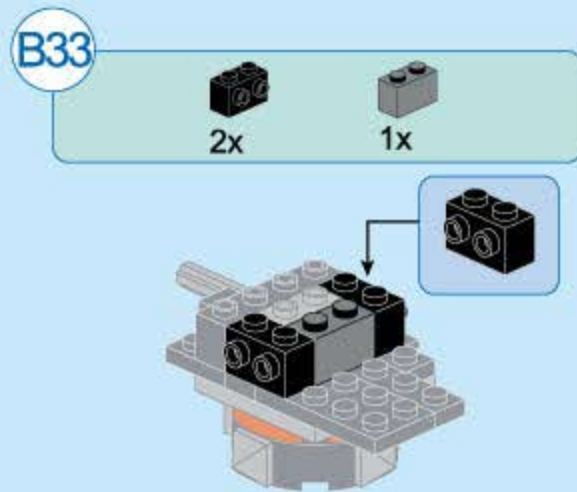
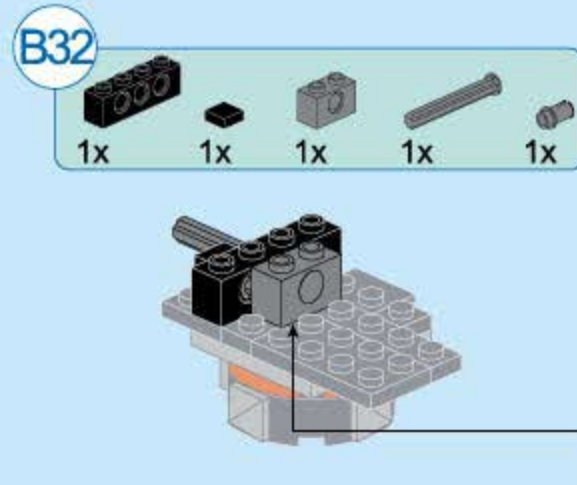
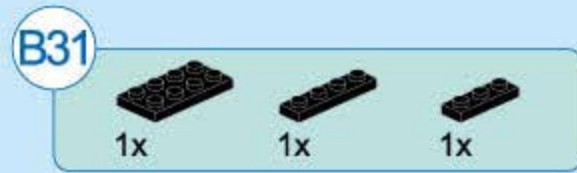
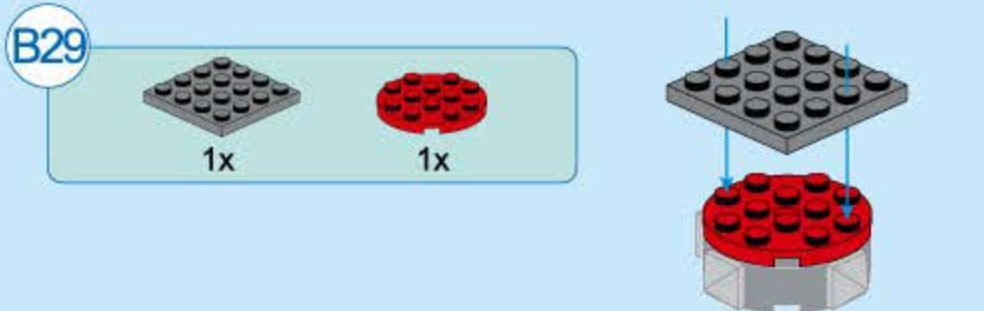
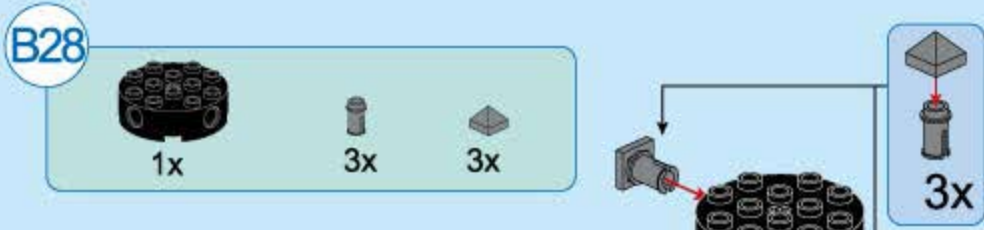
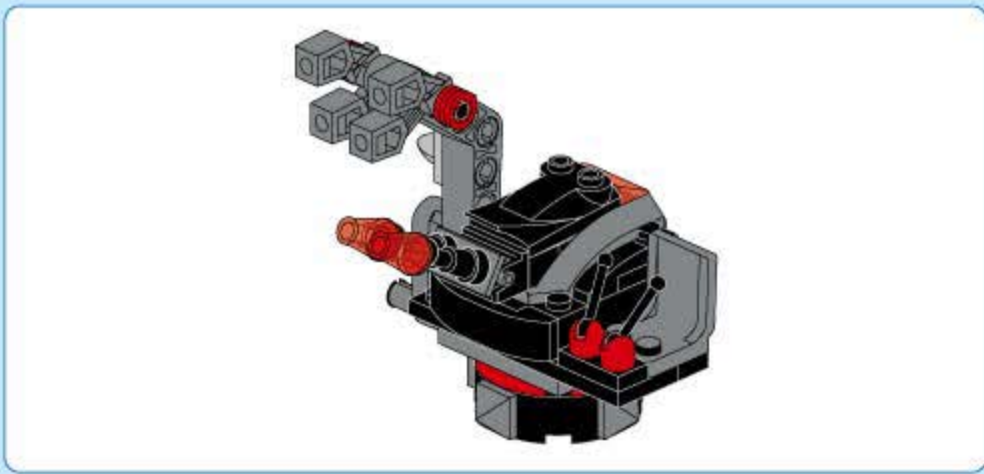


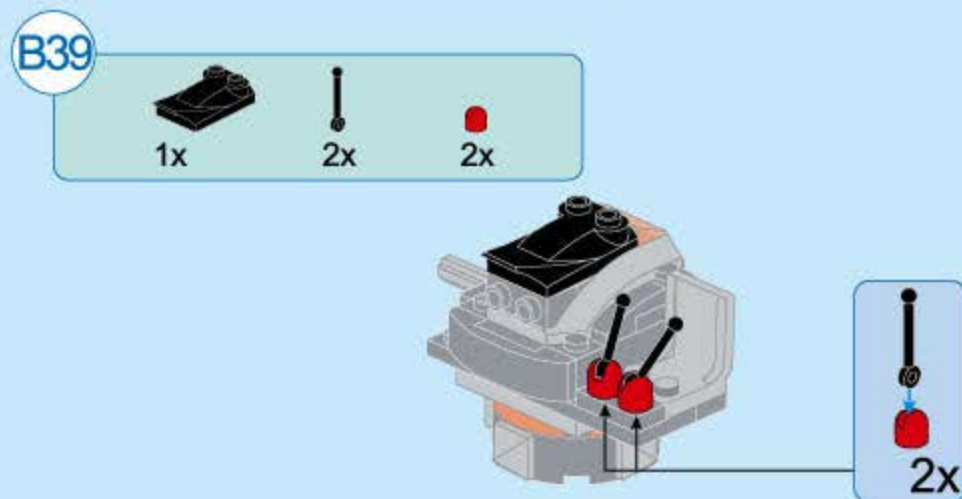
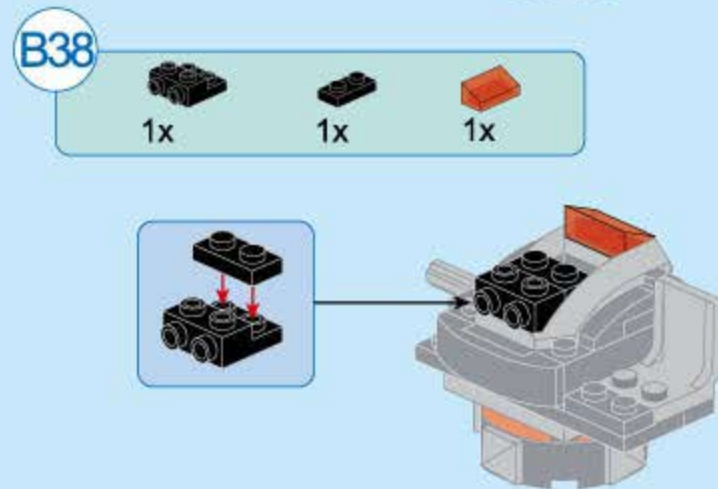
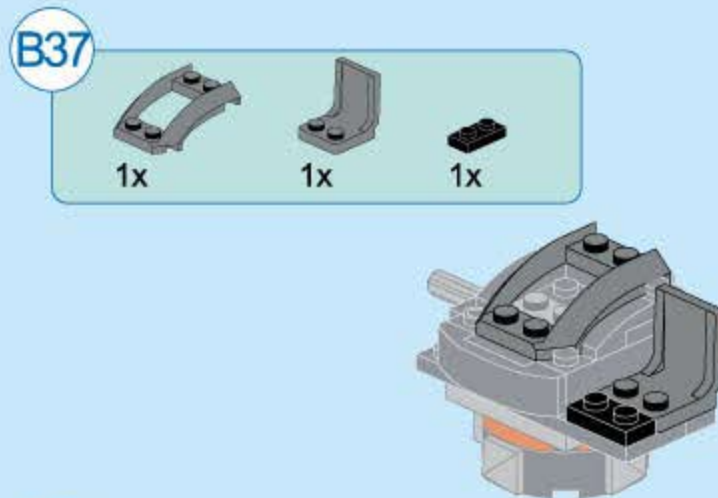
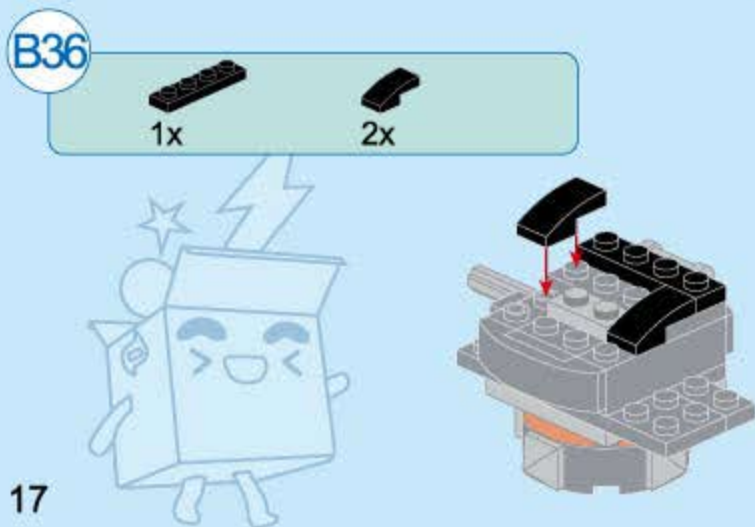
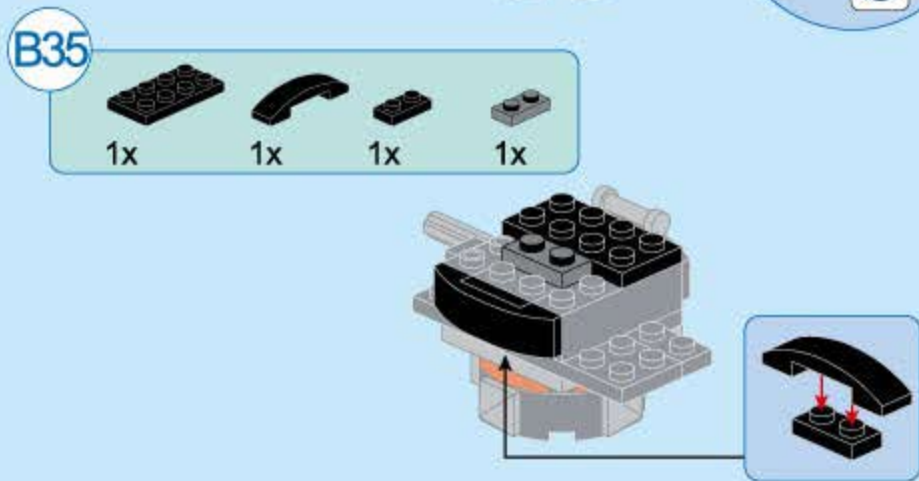
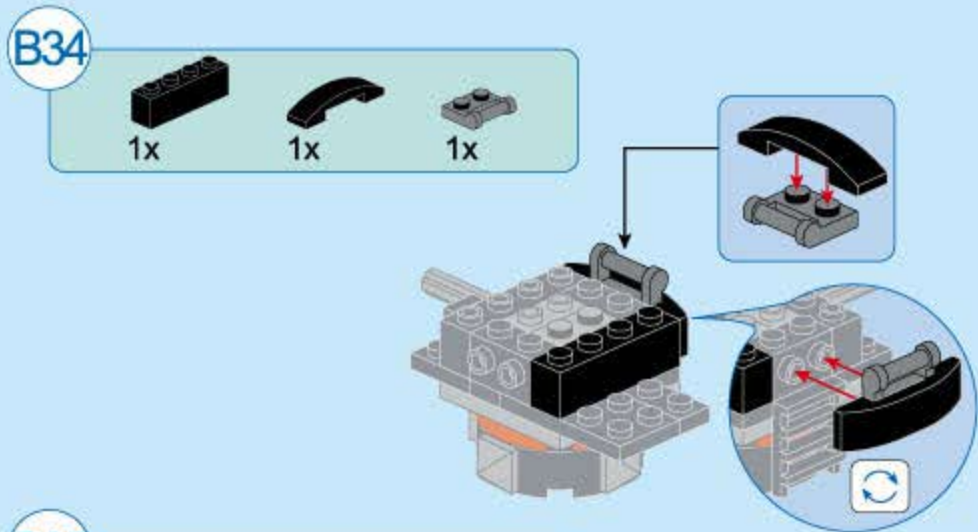
B26



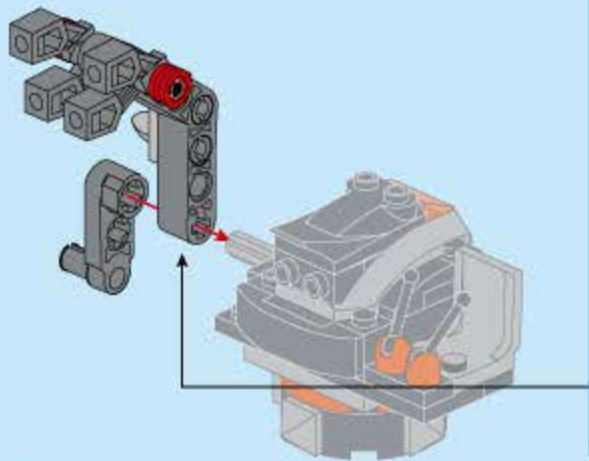
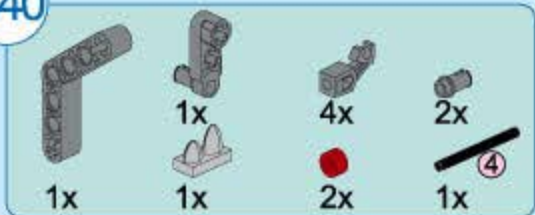
B27



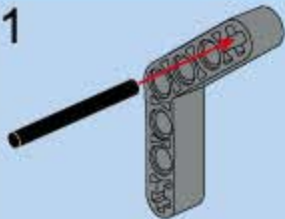




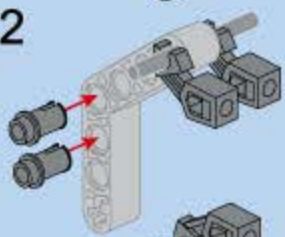
B40



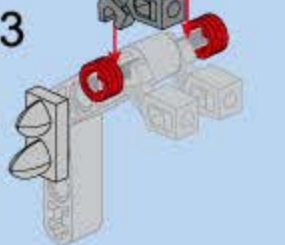
1



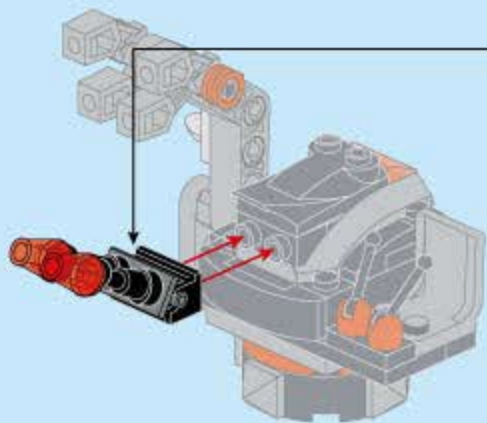
2



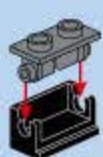
3



B41



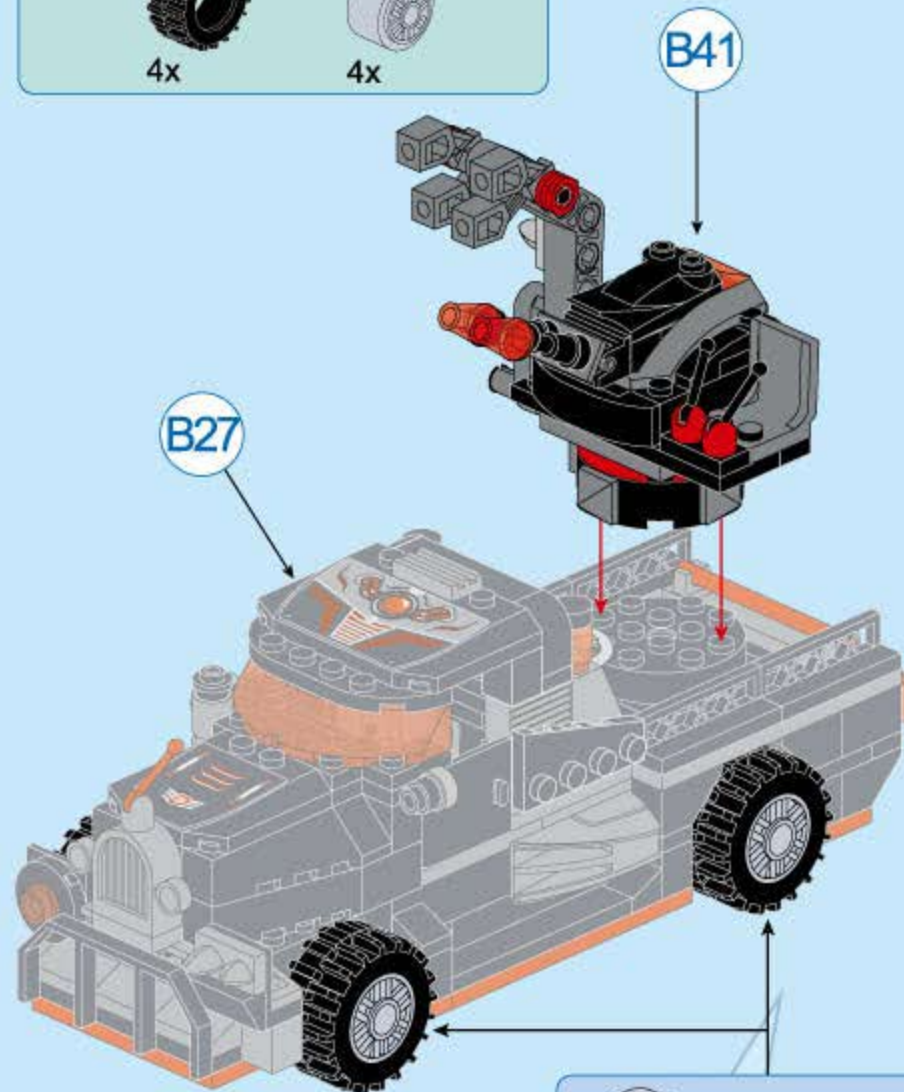
1



2

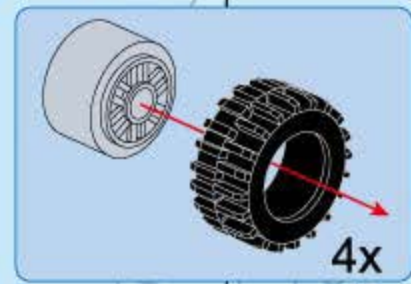


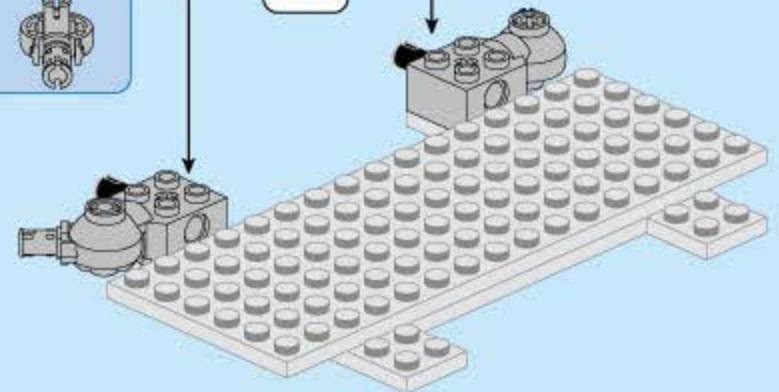
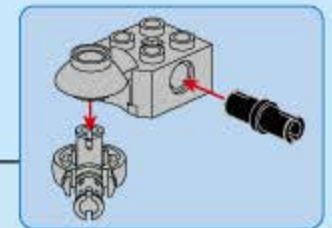
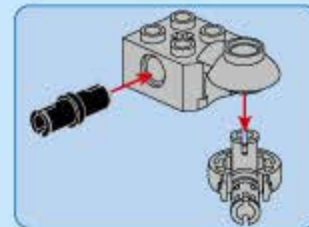
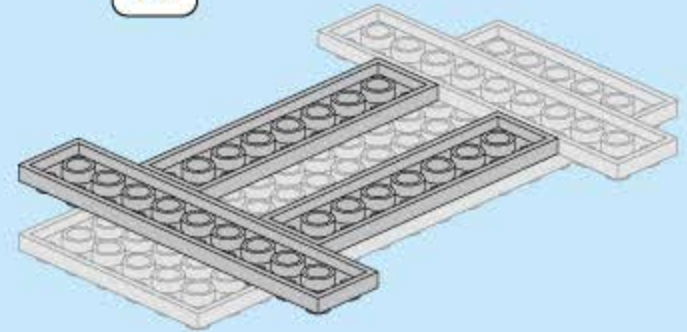
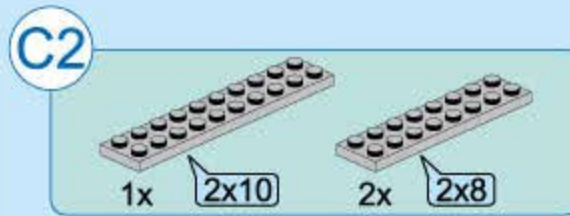
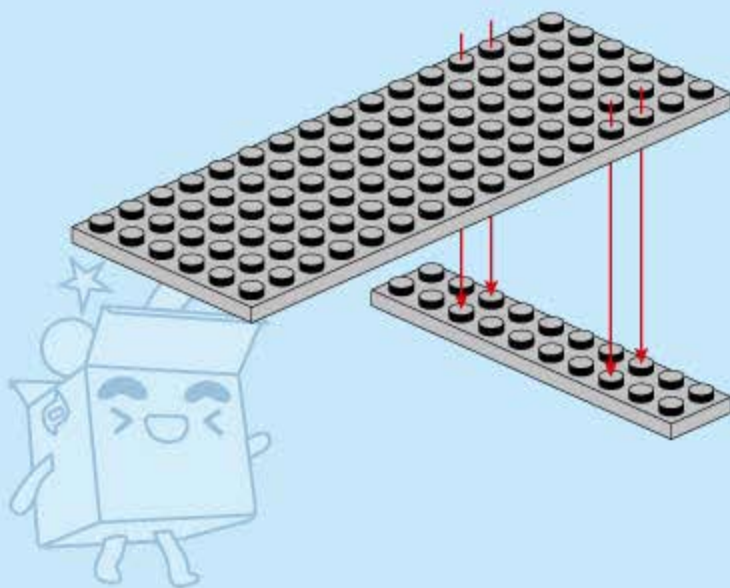
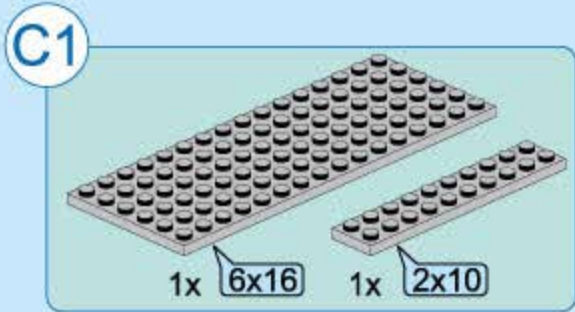
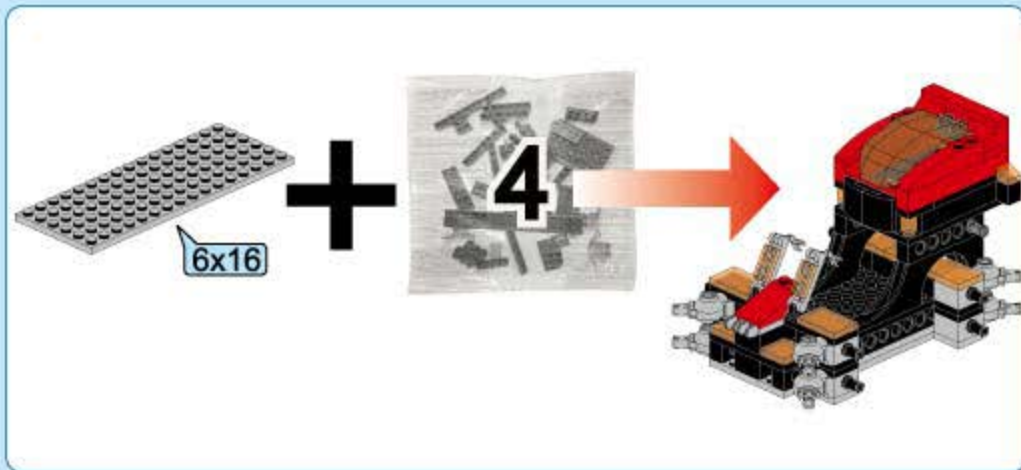
B42



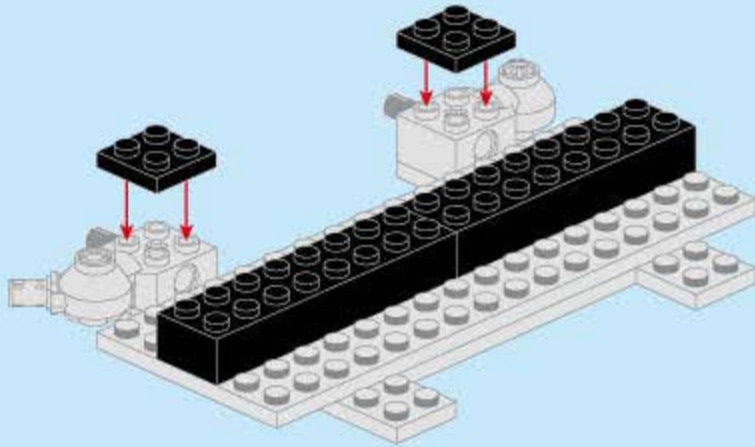
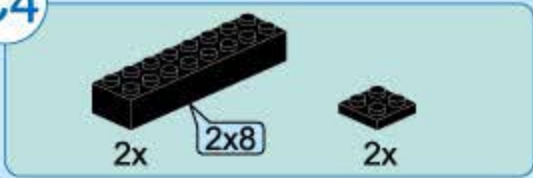
B41

B27

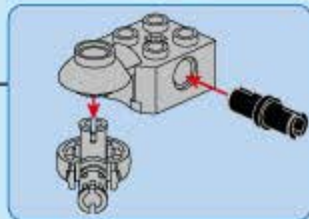
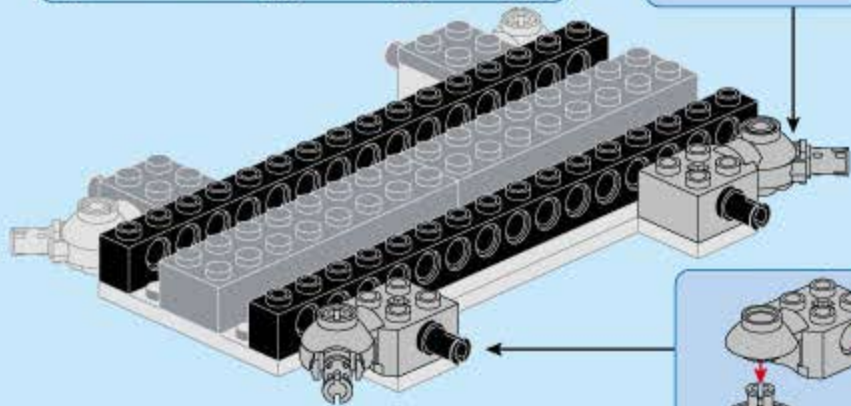
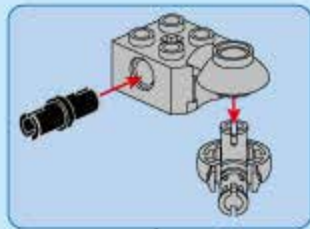
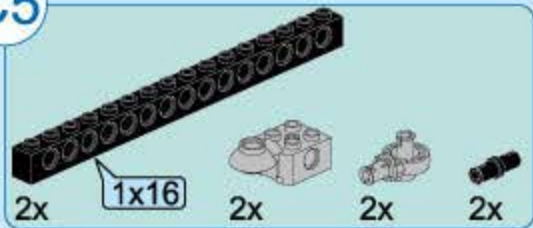




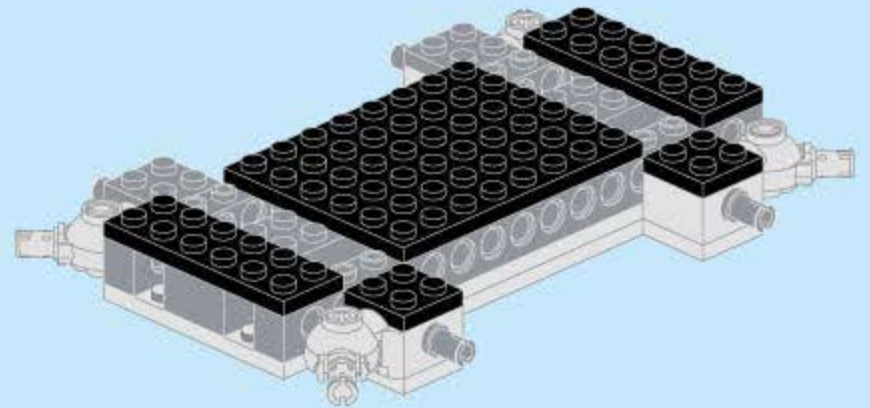
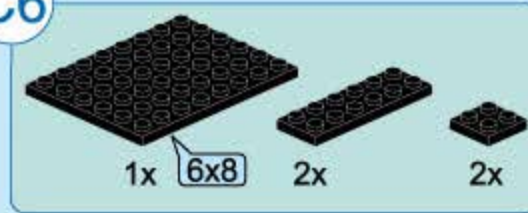
C4



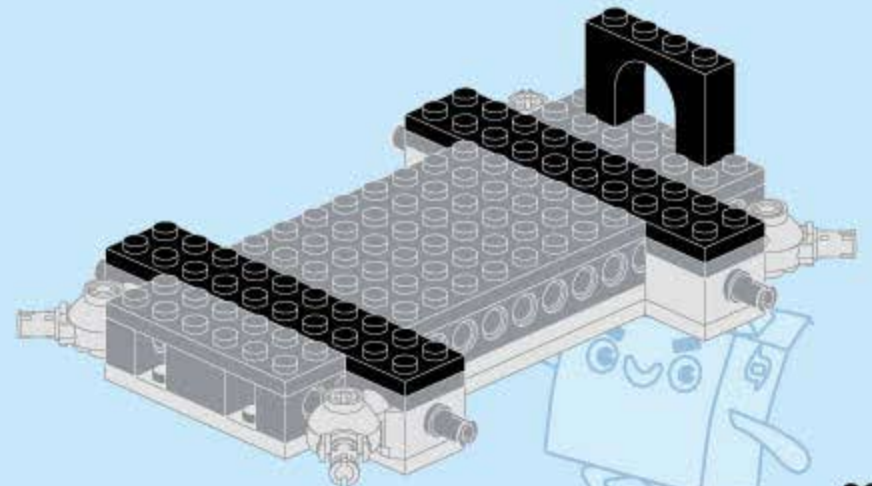
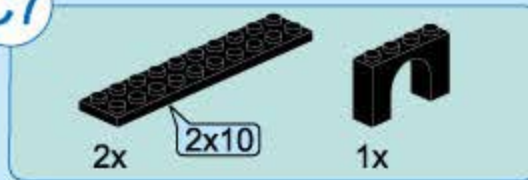
C5



C6

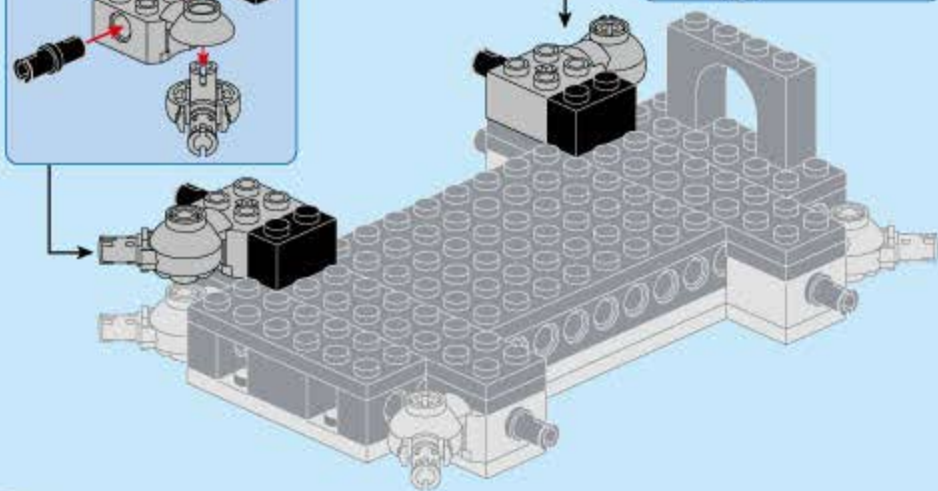
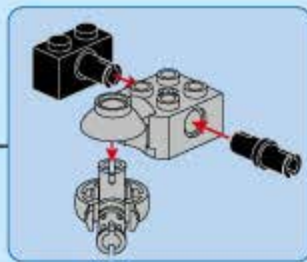
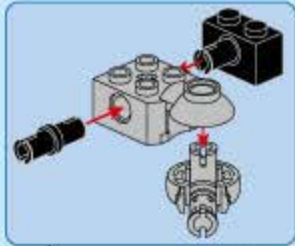


C7



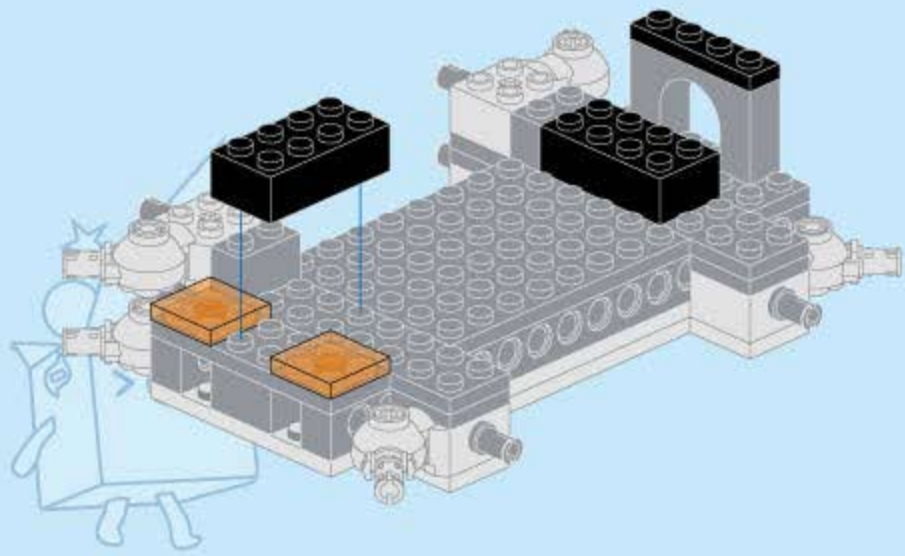
C8

- 2x
- 2x
- 2x
- 2x



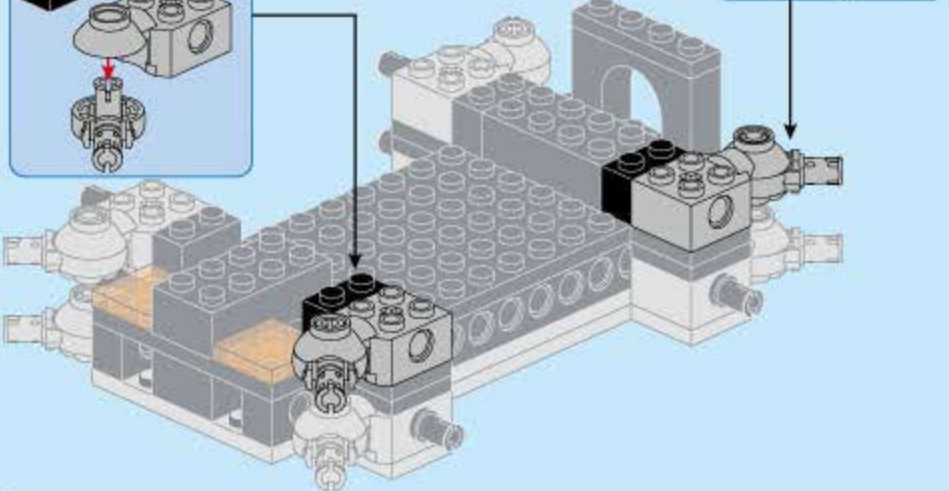
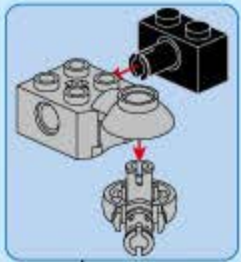
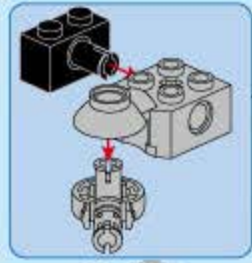
C9

- 2x
- 1x
- 2x



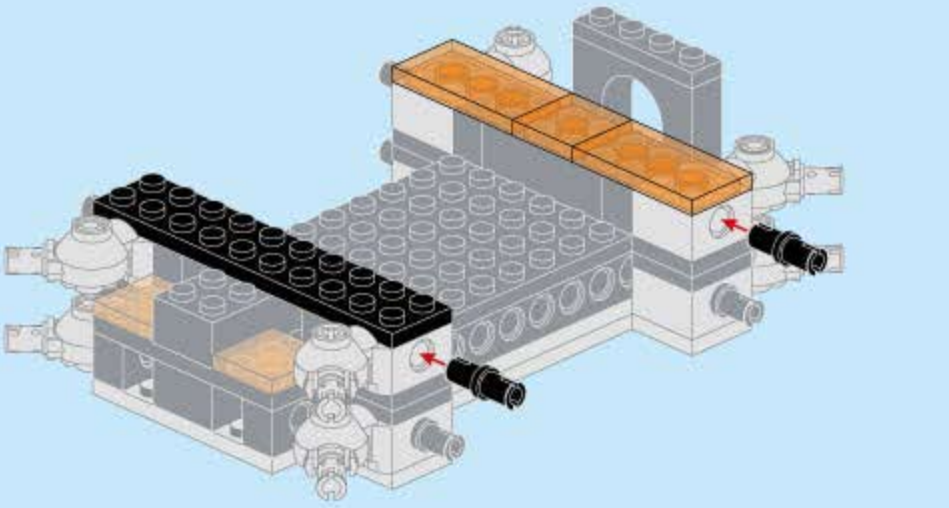
C10

- 2x
- 2x
- 2x

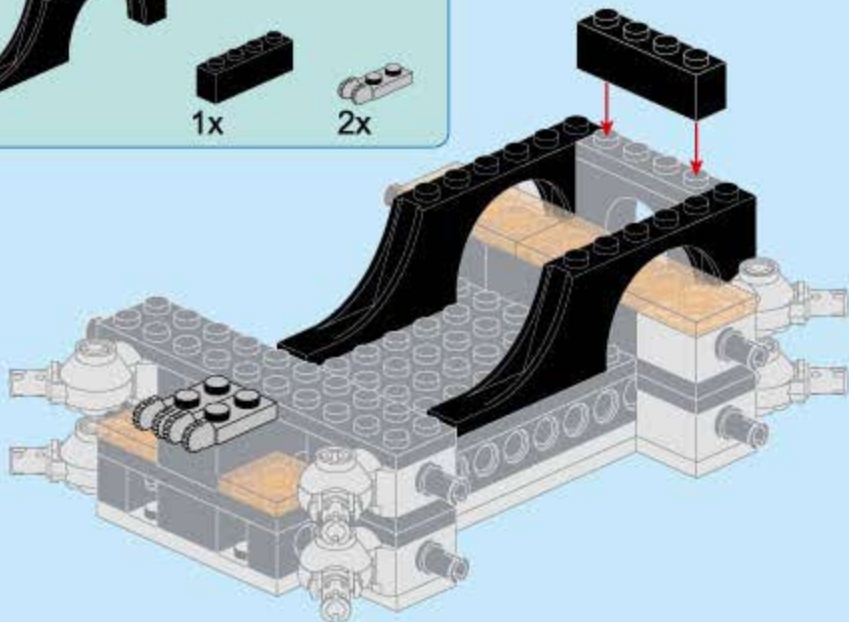
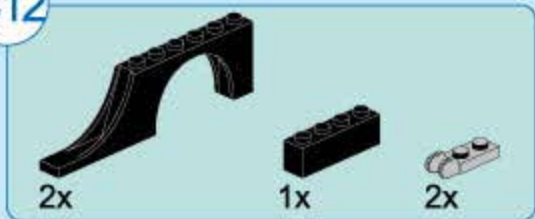


C11

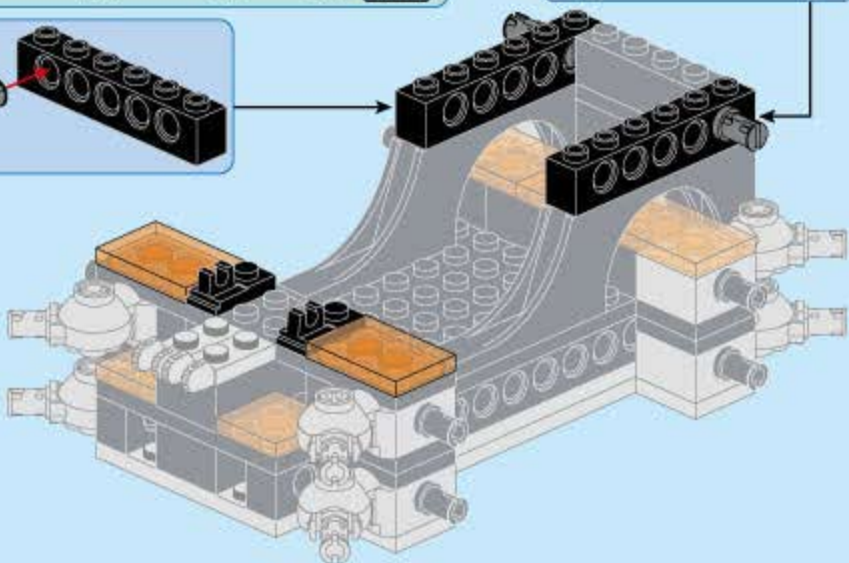
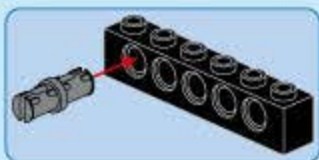
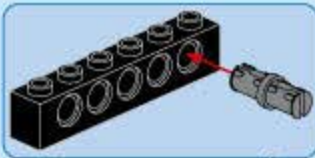
- 1x
- 2x
- 2x
- 1x



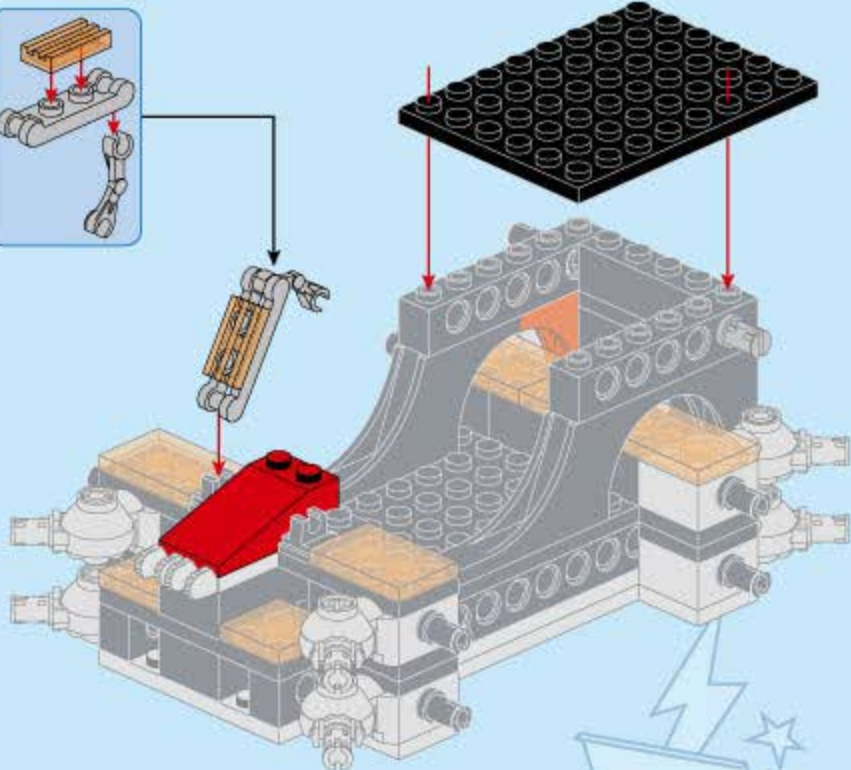
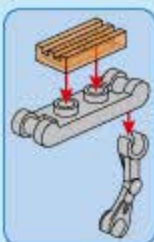
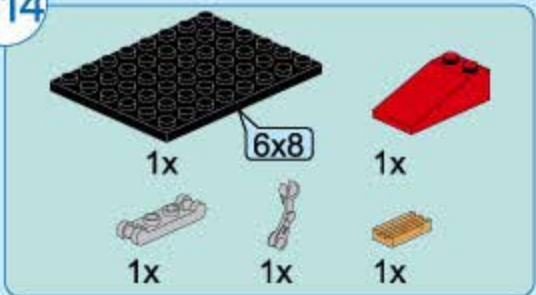
C12



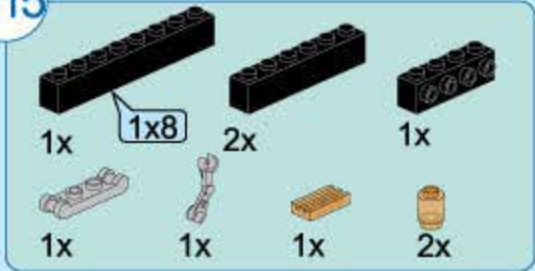
C13



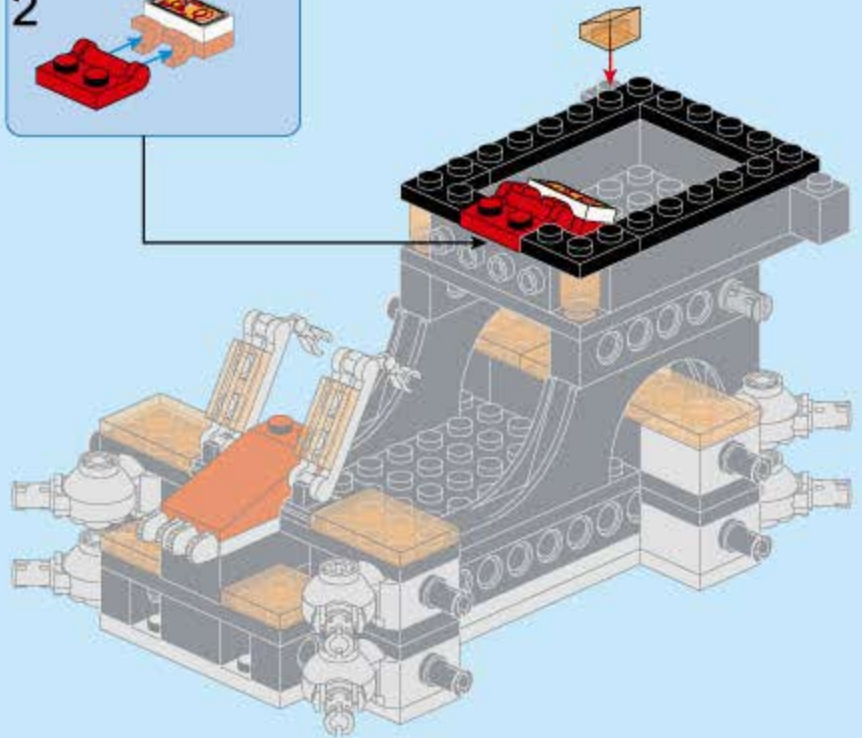
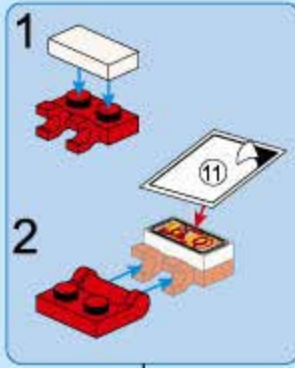
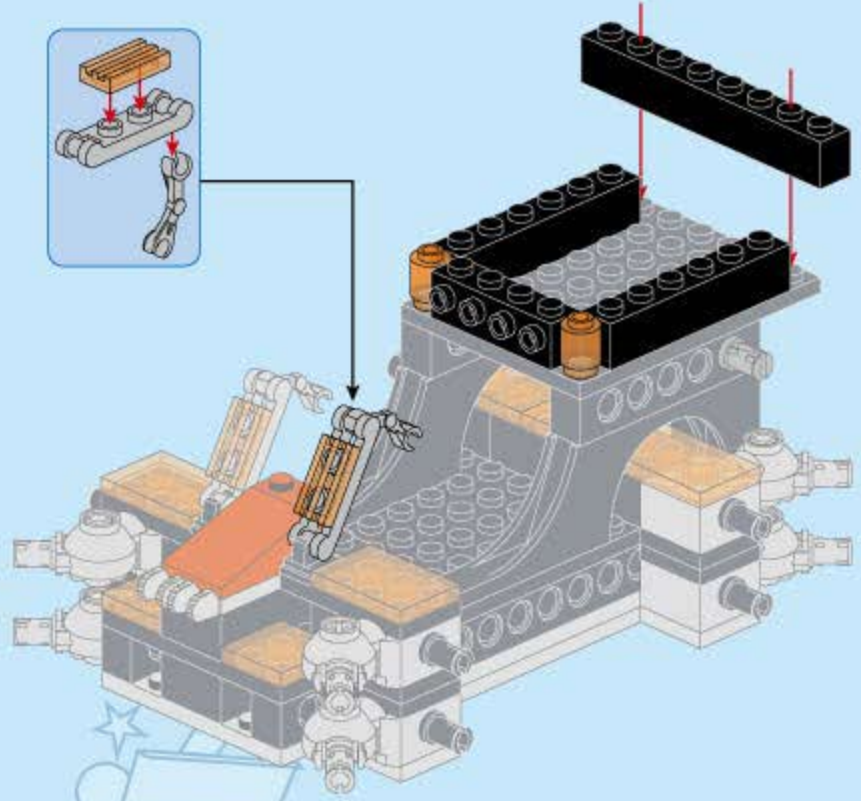
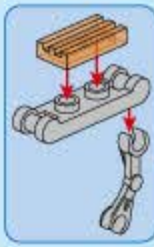
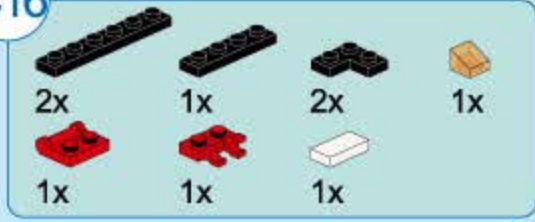
C14



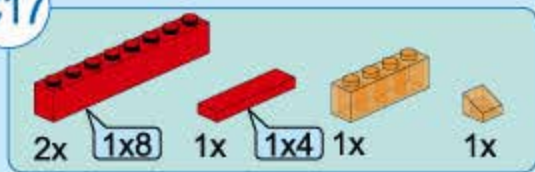
C15



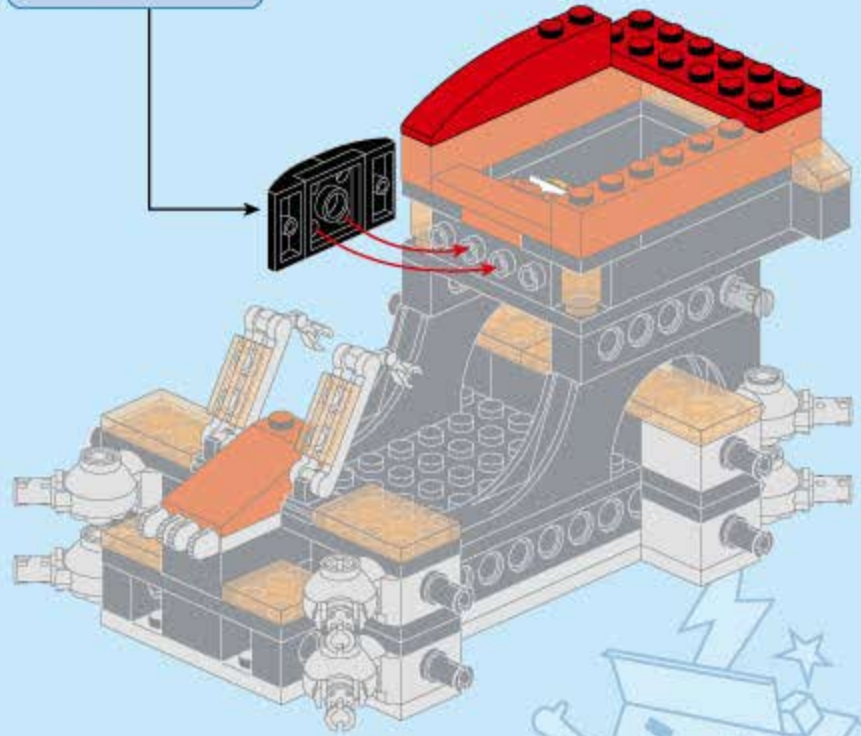
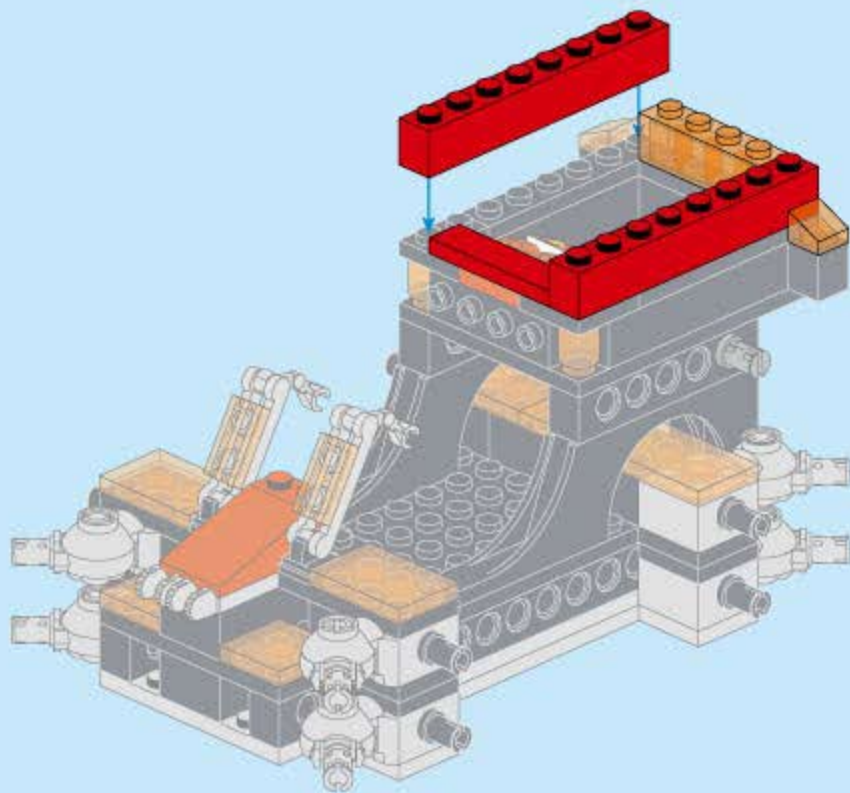
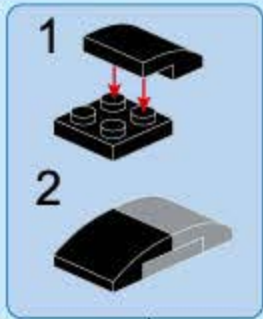
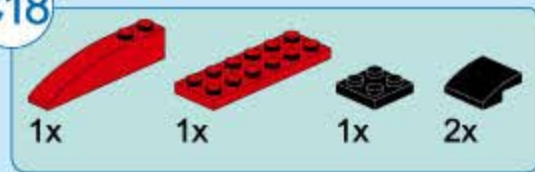
C16



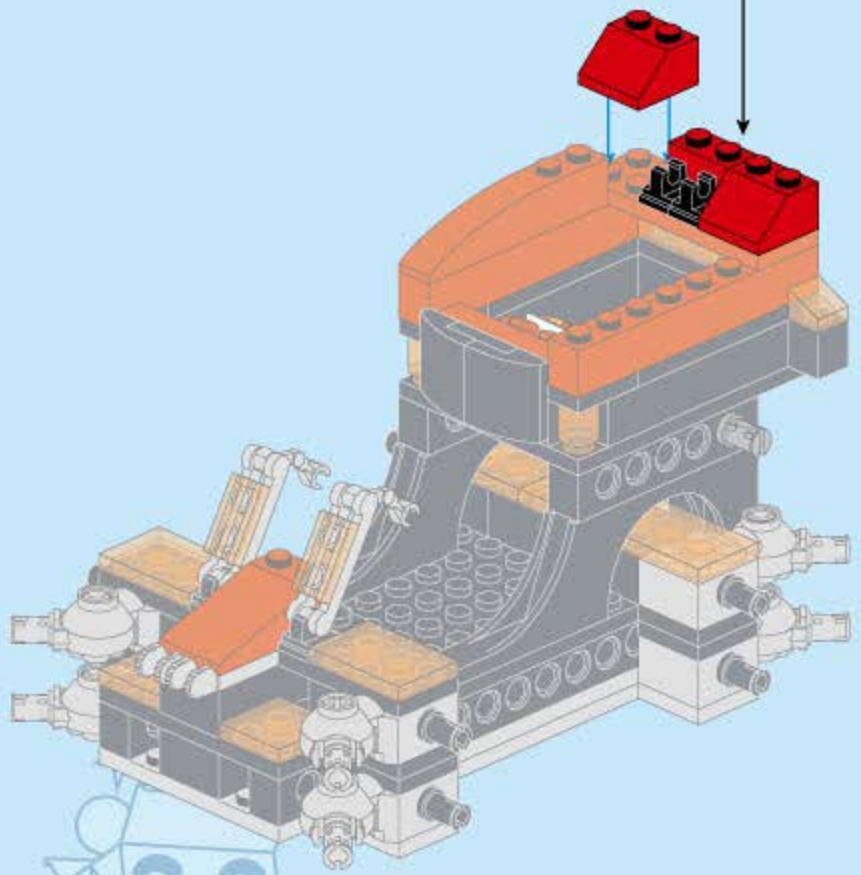
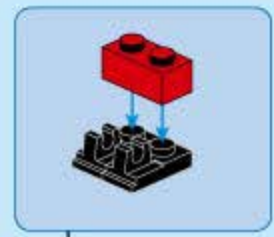
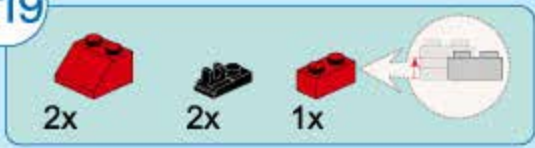
C17



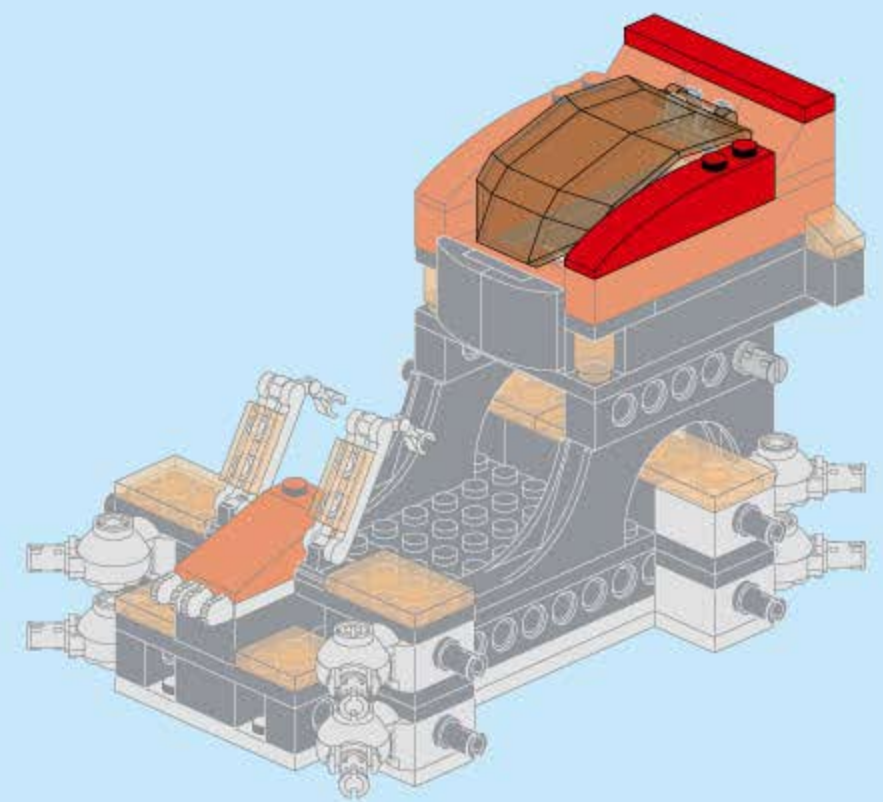
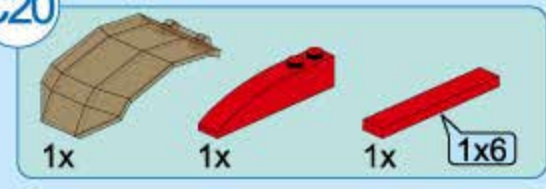
C18

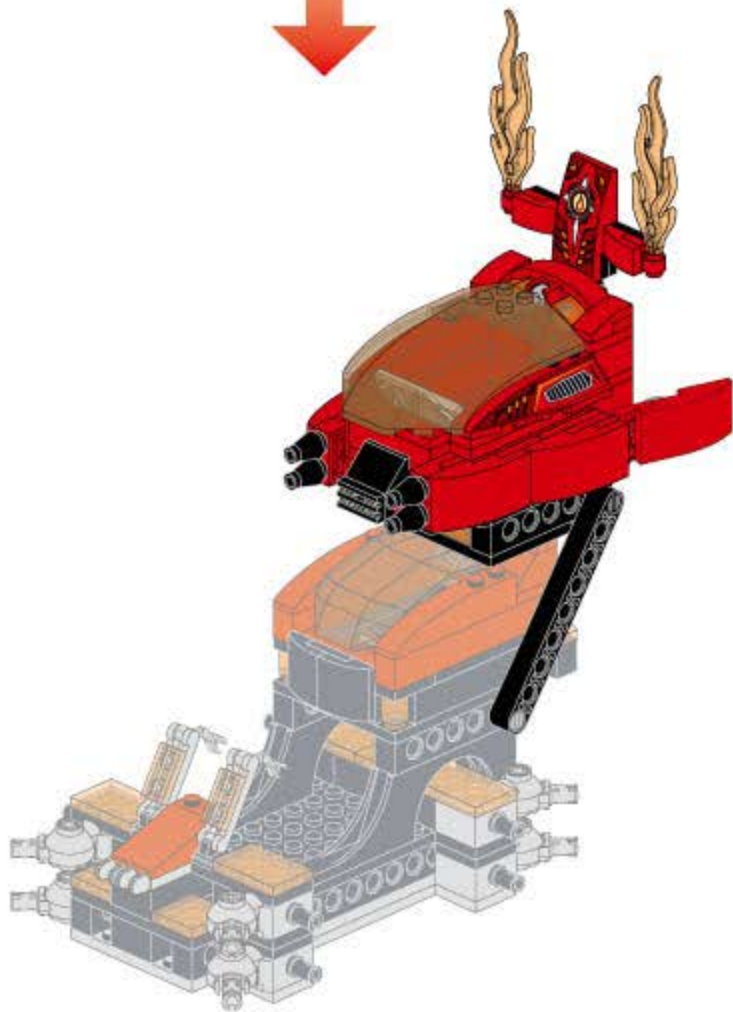


C19

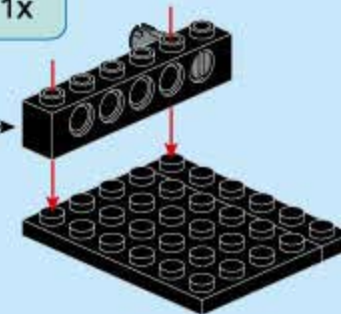
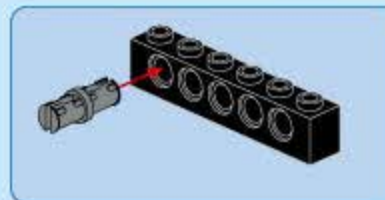
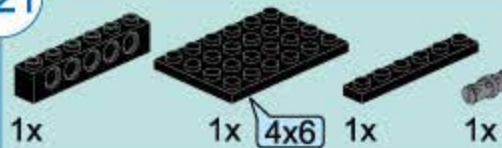


C20

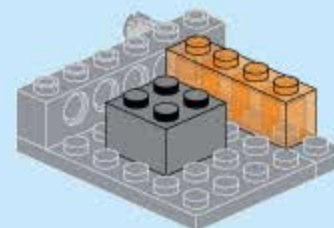




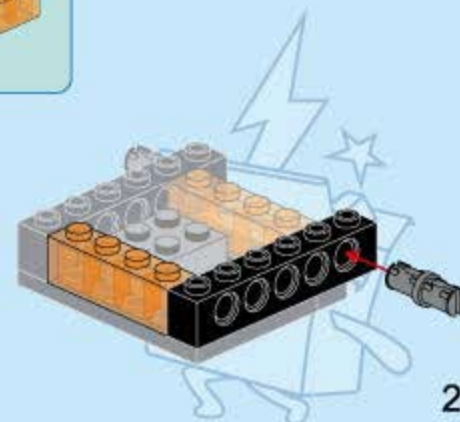
C21



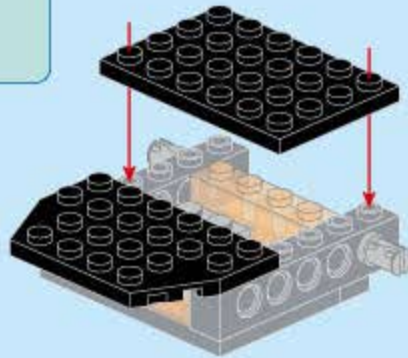
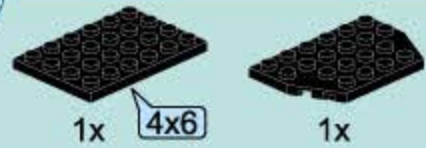
C22



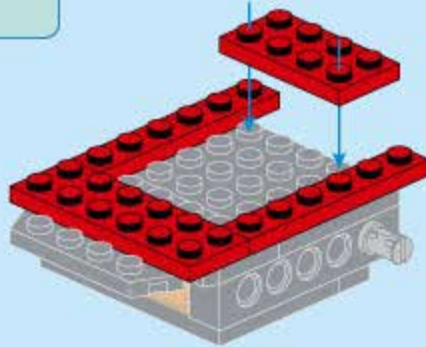
C23



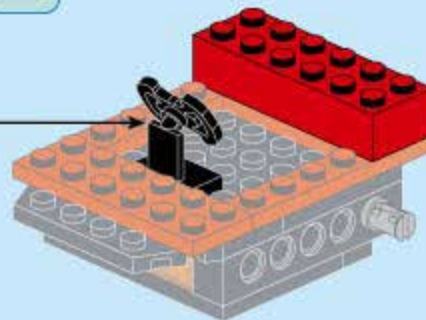
C24



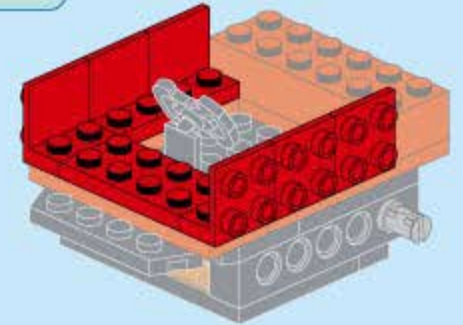
C25



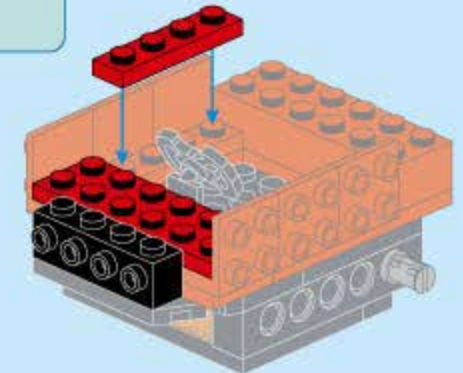
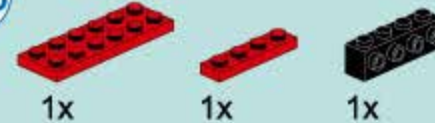
C26



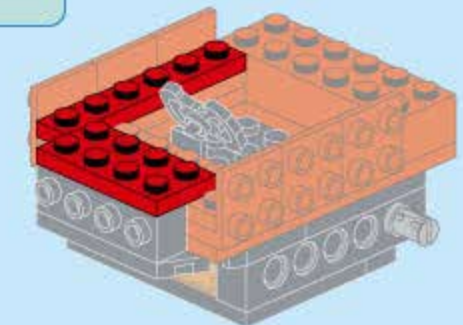
C27



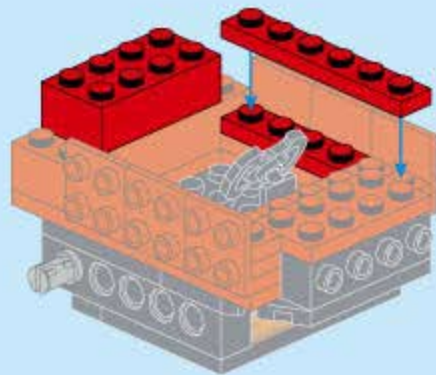
C28



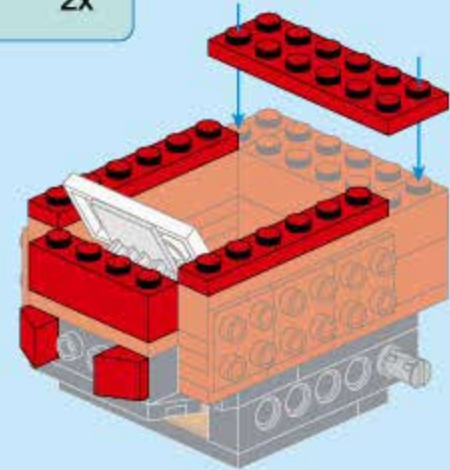
C29



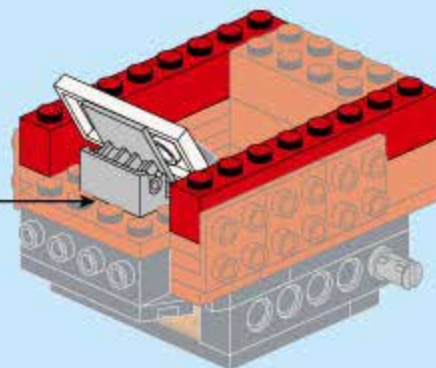
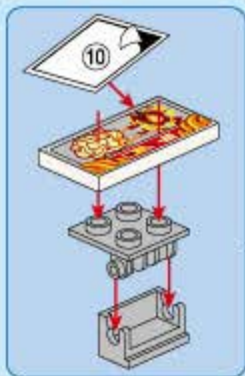
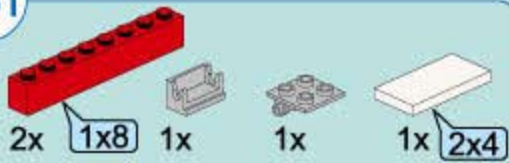
C30



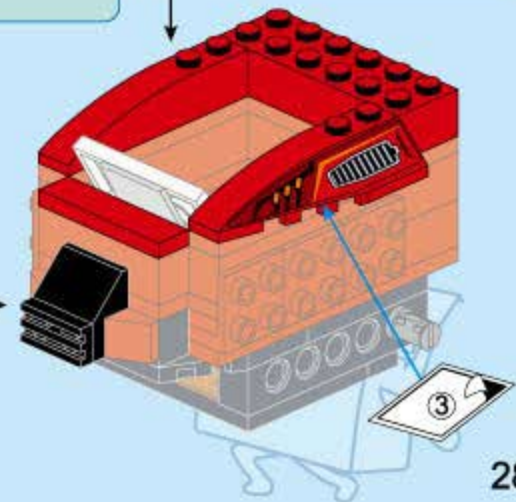
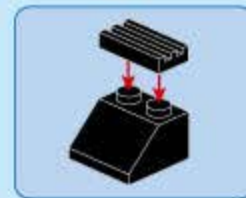
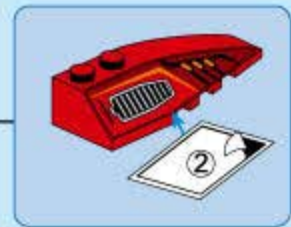
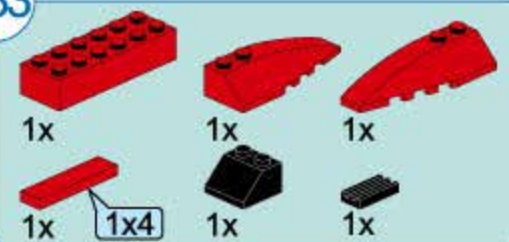
C32



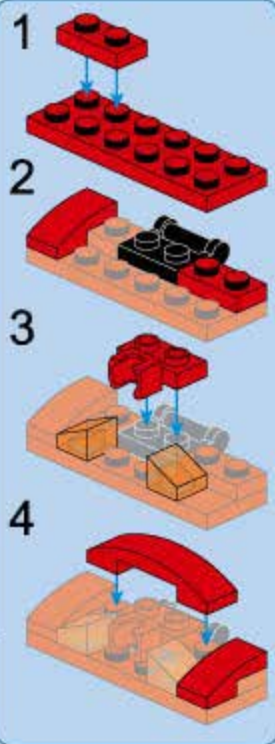
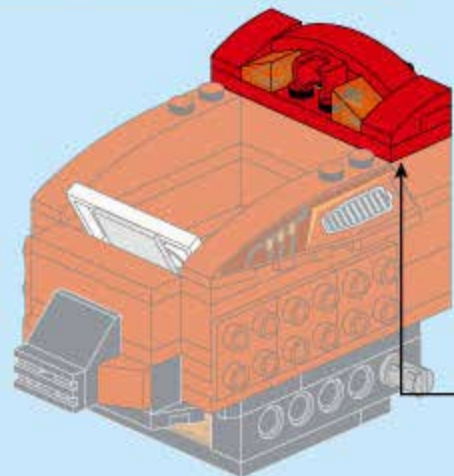
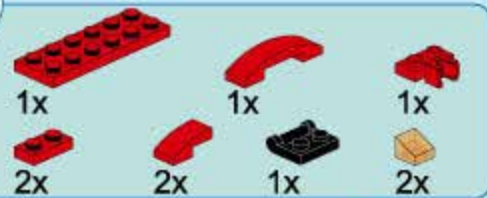
C31



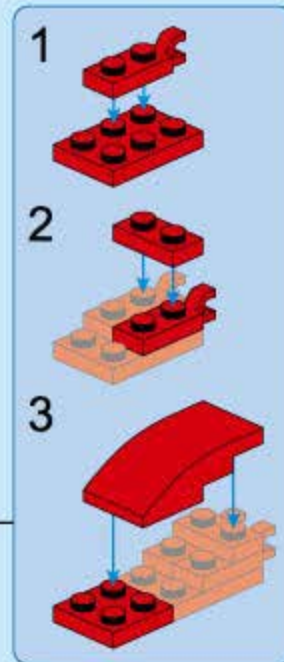
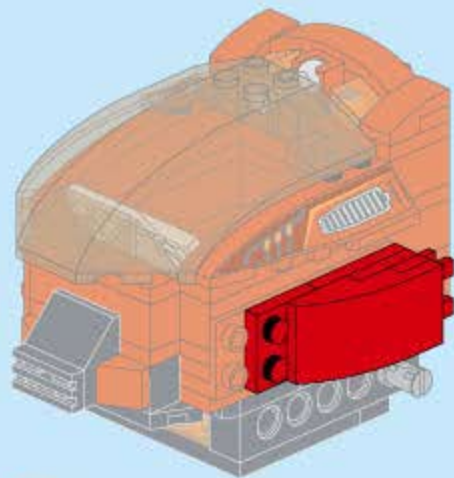
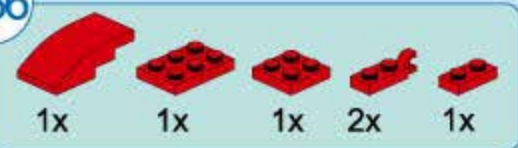
C33



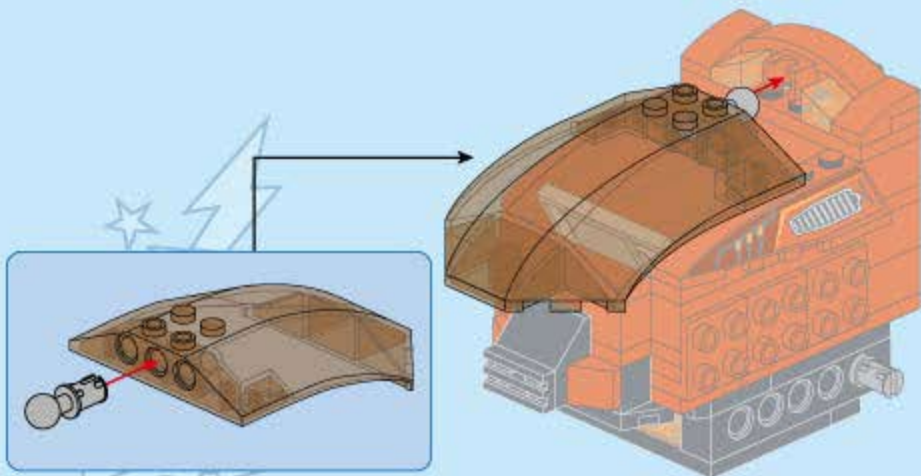
C34



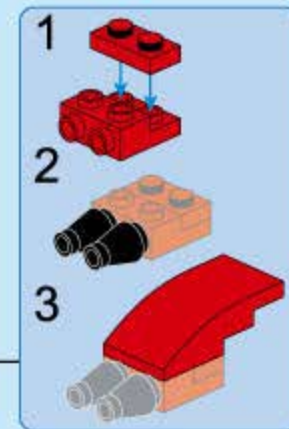
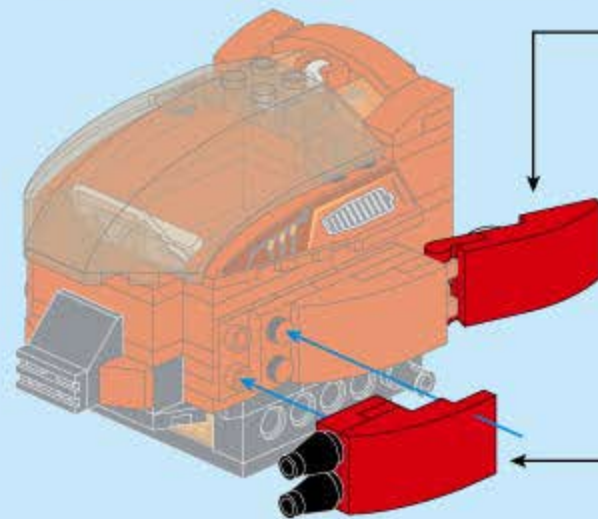
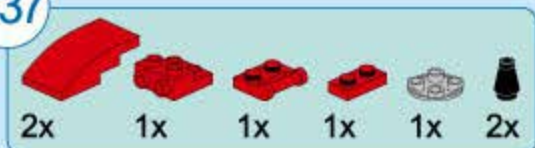
C36



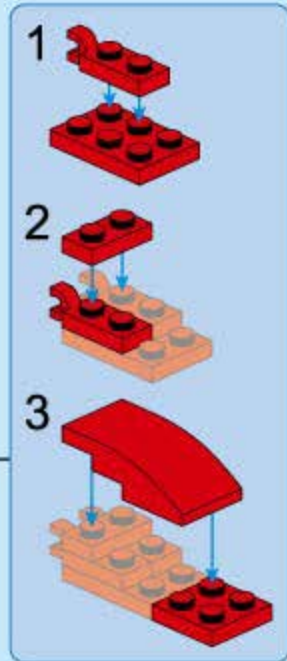
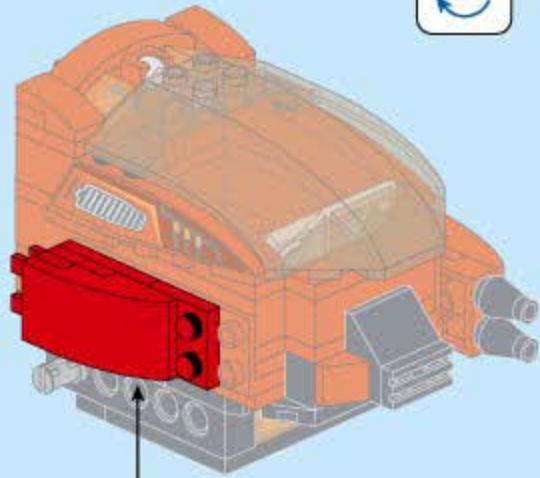
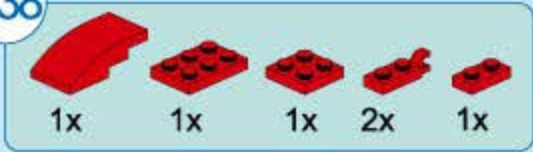
C35



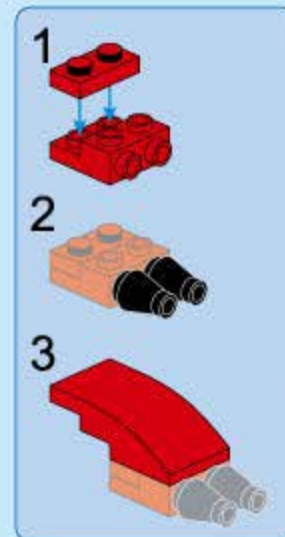
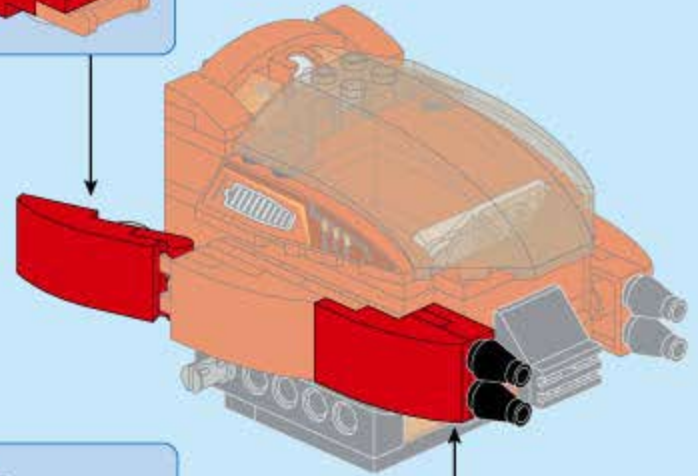
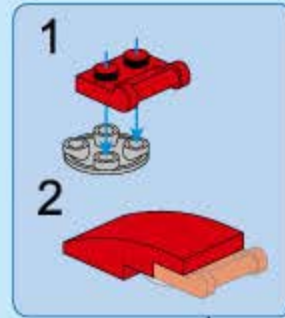
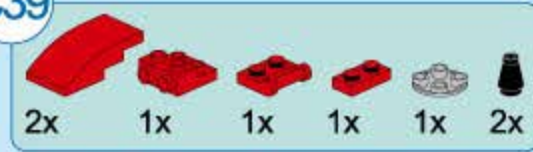
C37



C38

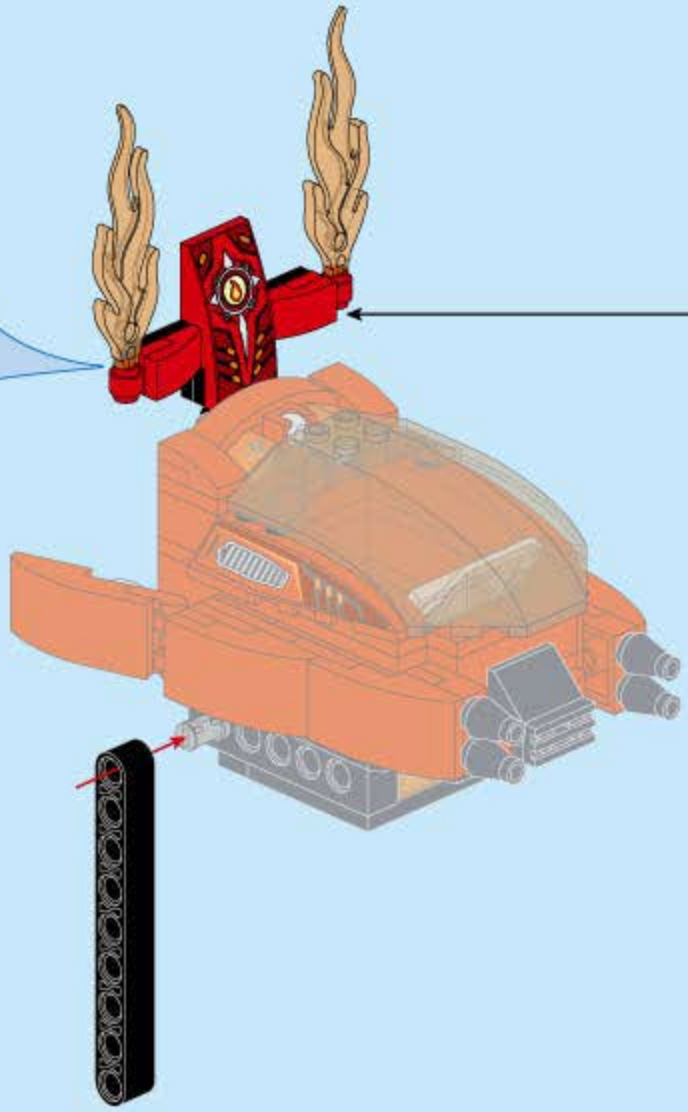
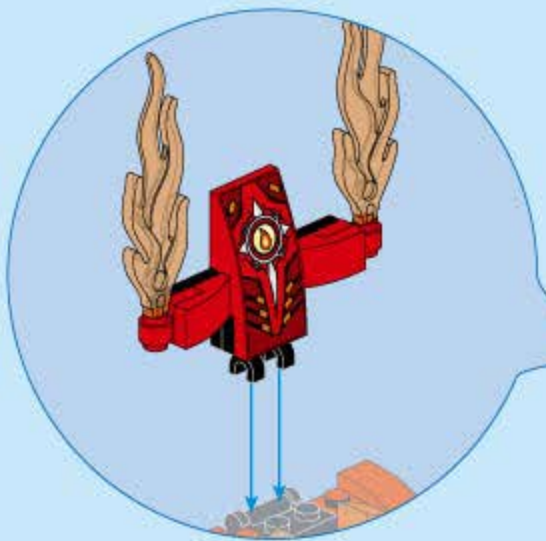


C39



C40

- 2x
- 1x
- 2x
- 2x
- 1x
- 1x
- 1x
- 1x
- 1x



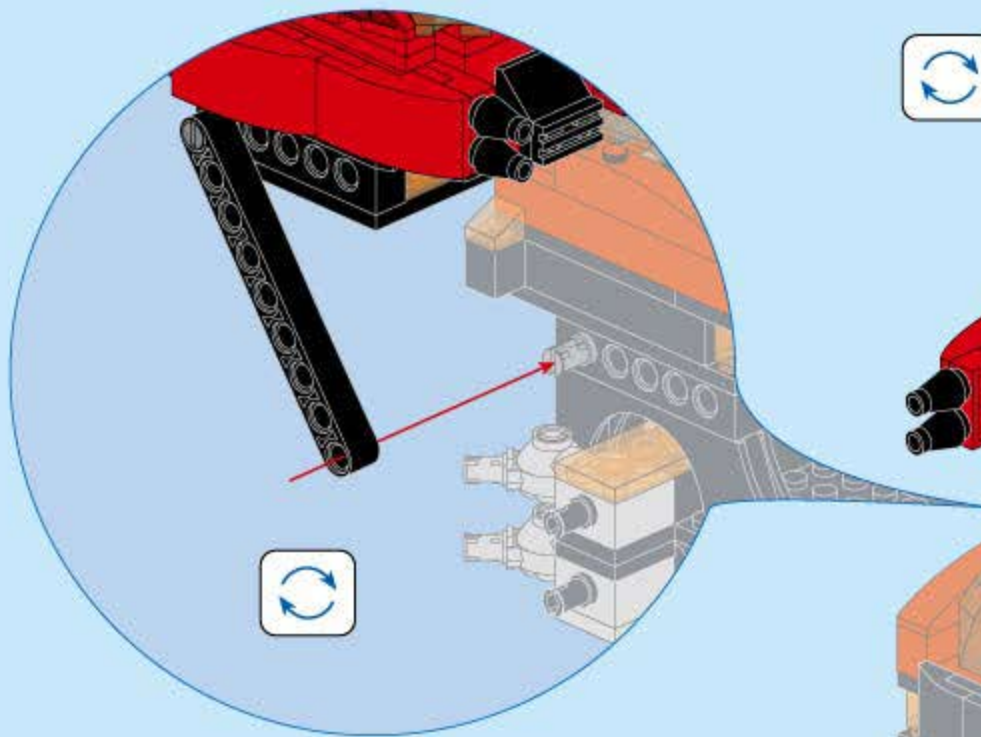
-
-
-
-



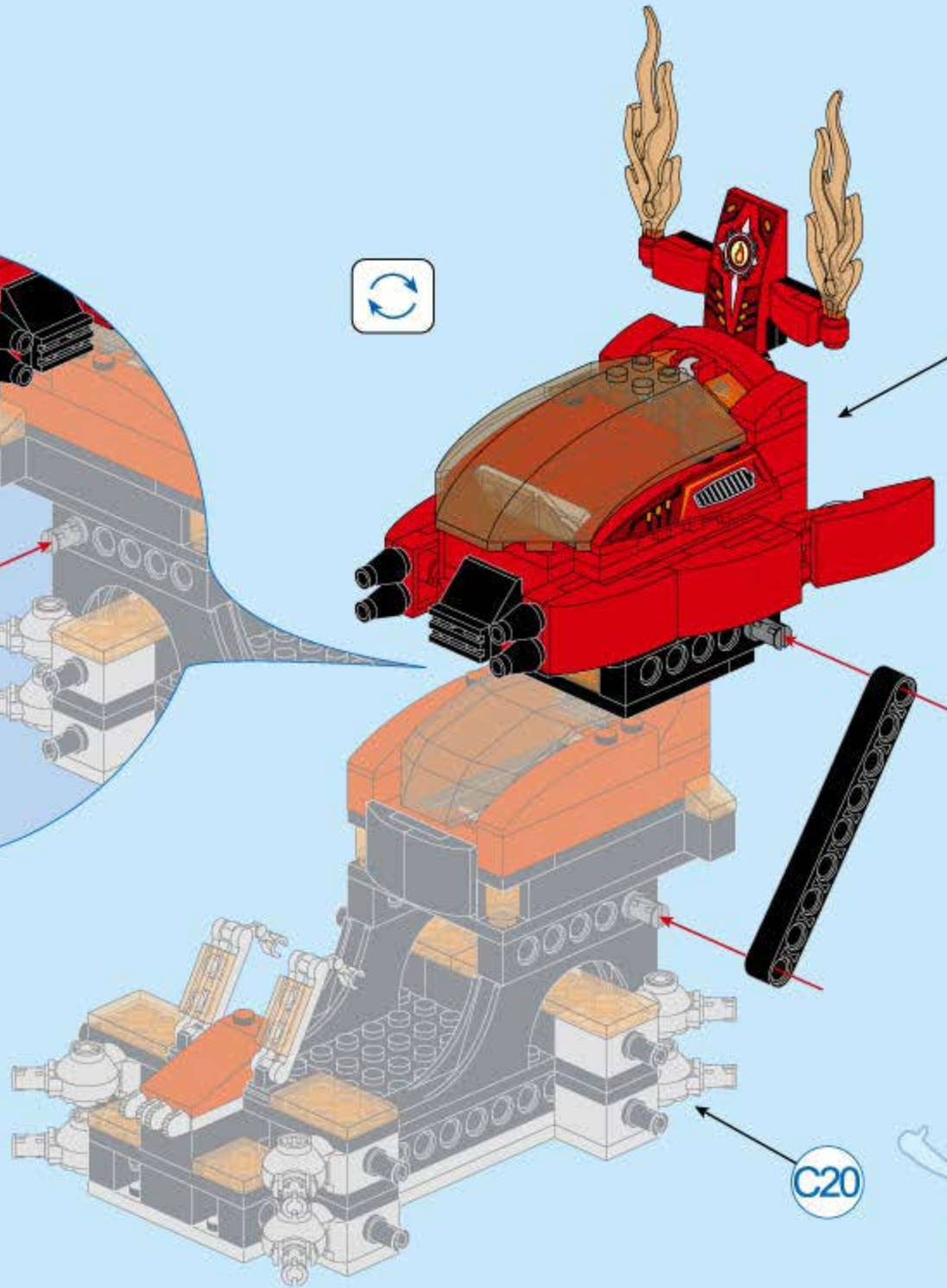
C41



1x

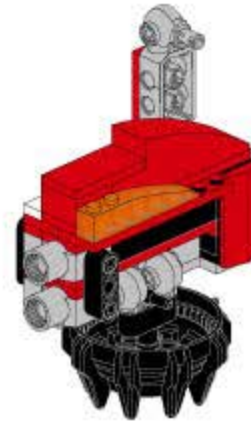
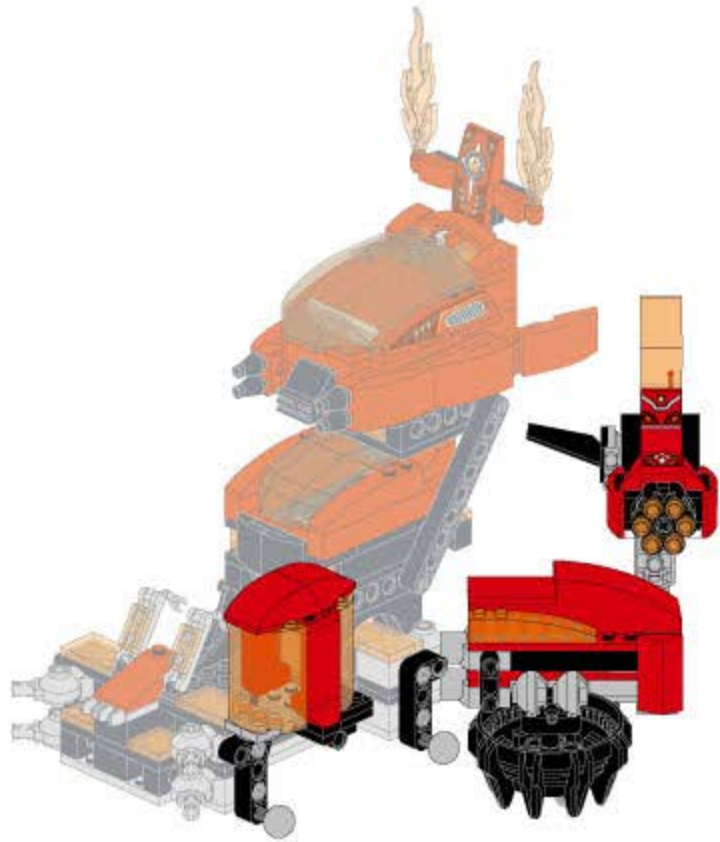


C40

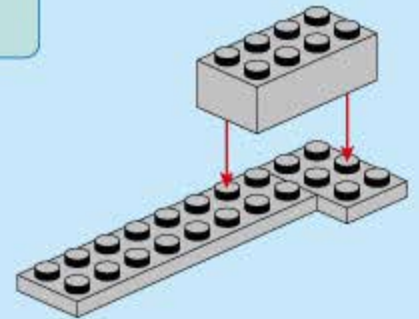
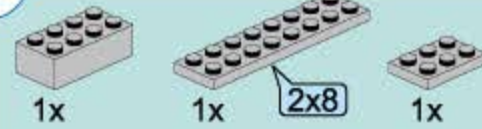


C20

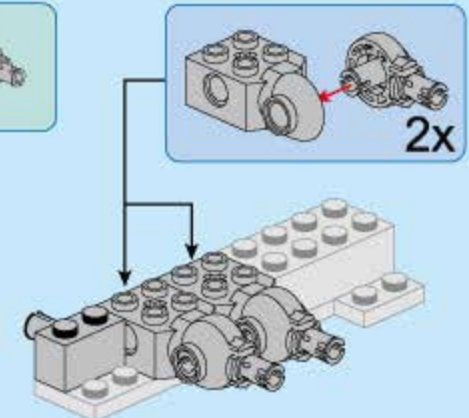
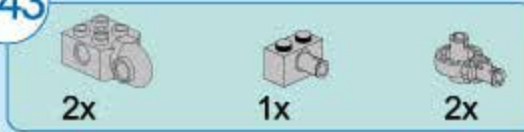




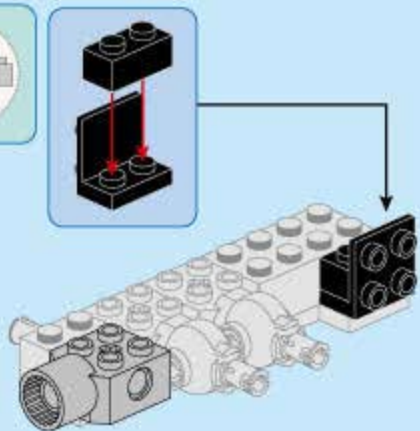
C42



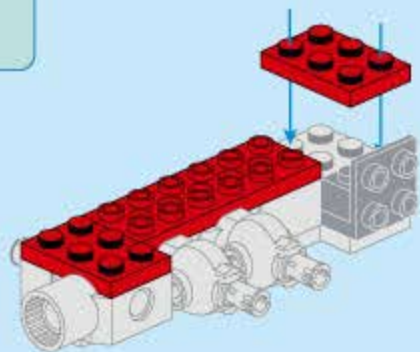
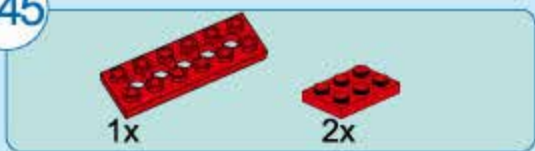
C43



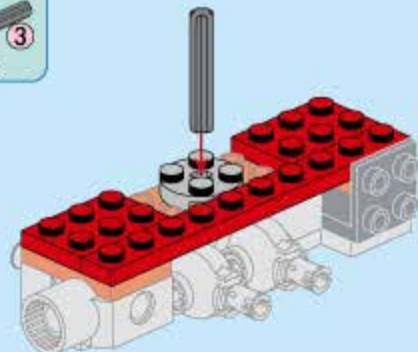
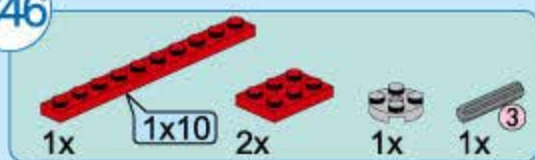
C44



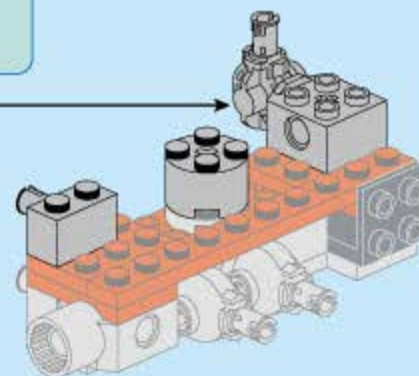
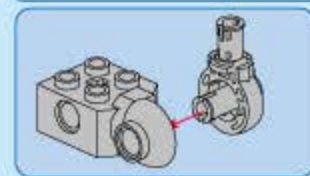
C45



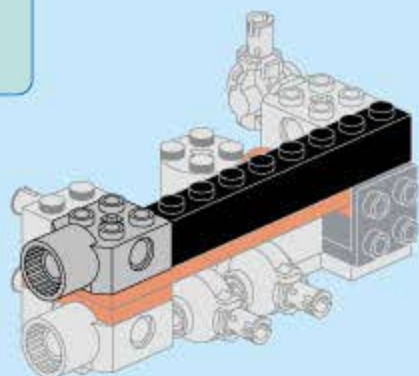
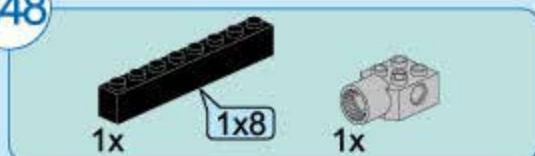
C46



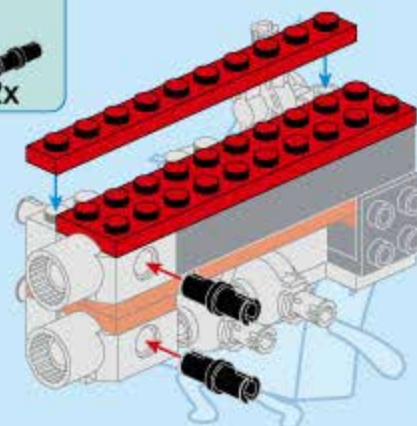
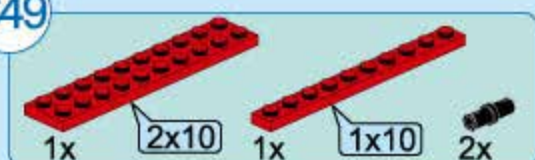
C47



C48

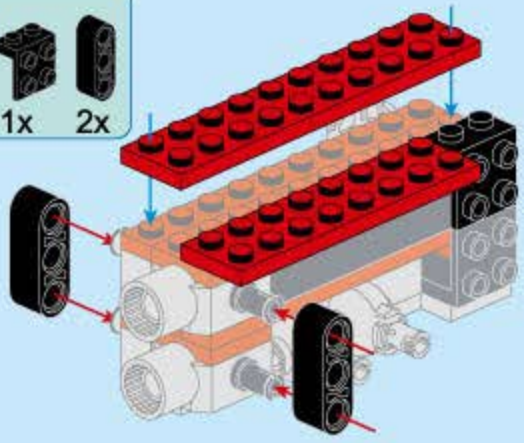


C49



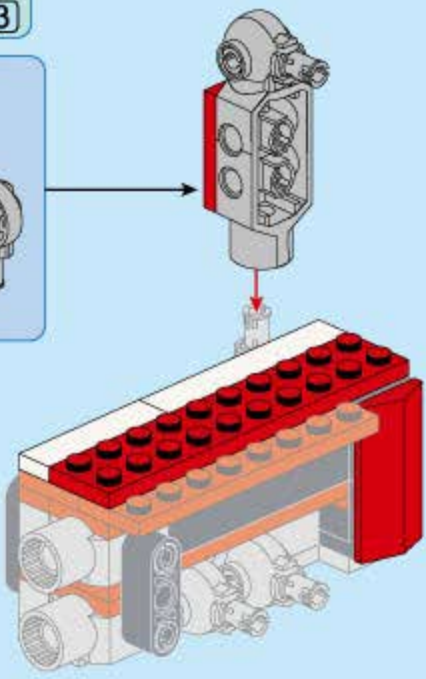
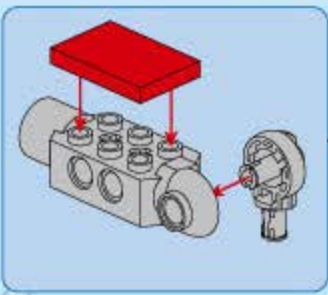
C50

- 1x 2x10
- 1x 2x8
- 1x [black 1x4 with hole]
- 2x [black 1x2 with hole]



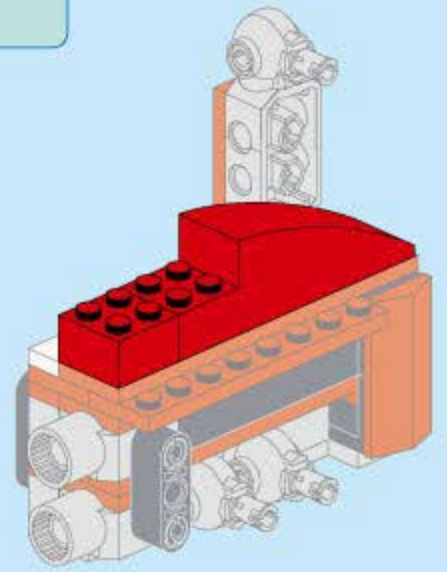
C51

- 1x [grey 1x6 with holes]
- 1x [grey 1x2 with hole]
- 1x [white 1x6]
- 1x [white 1x4]
- 1x 2x10
- 1x [red 1x2]
- 1x [red 2x3]



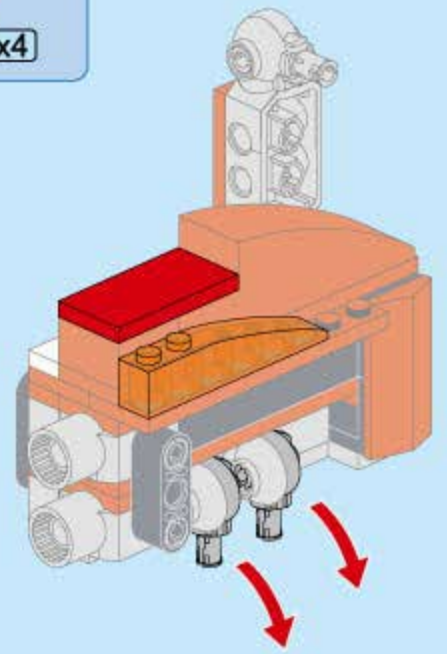
C52

- 1x [red 1x4 with hole]
- 1x [red 1x2 with hole]



C53

- 1x [tan 1x4 with hole]
- 1x [red 2x4]



C54



1x



1x



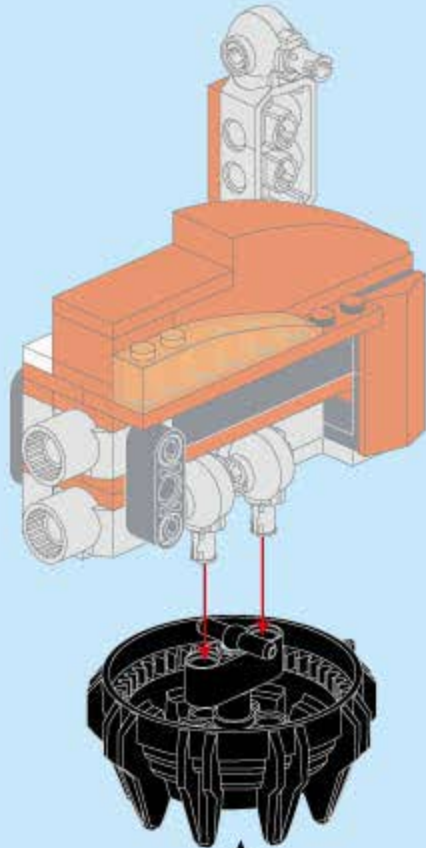
1x



2x



1x



1



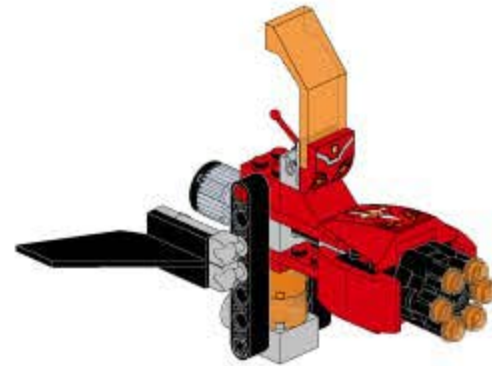
2



3



4



C55



1x

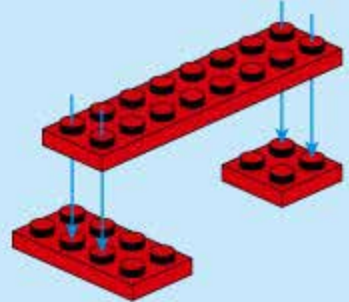
2x8



1x



1x



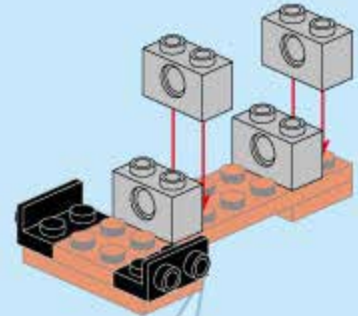
C56



4x



2x



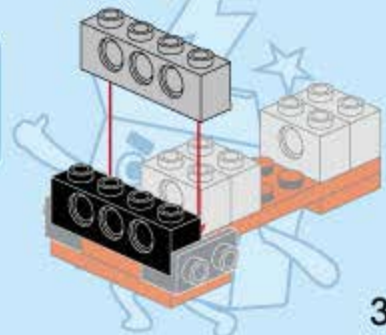
C57



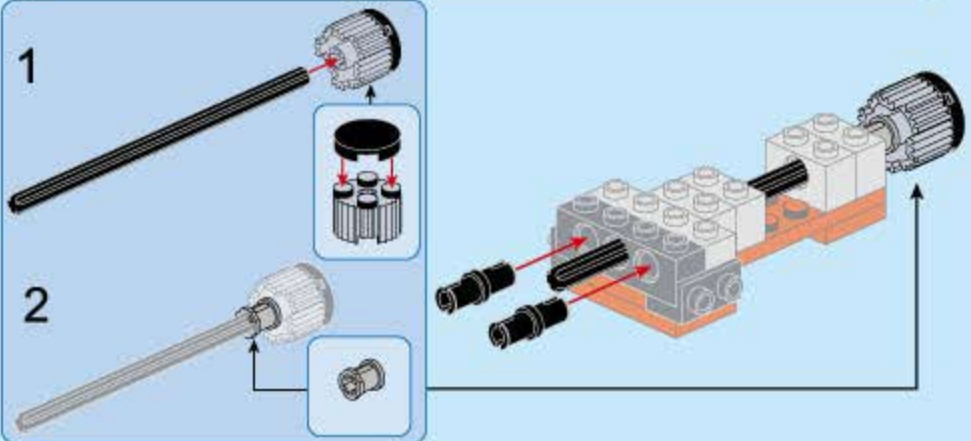
1x



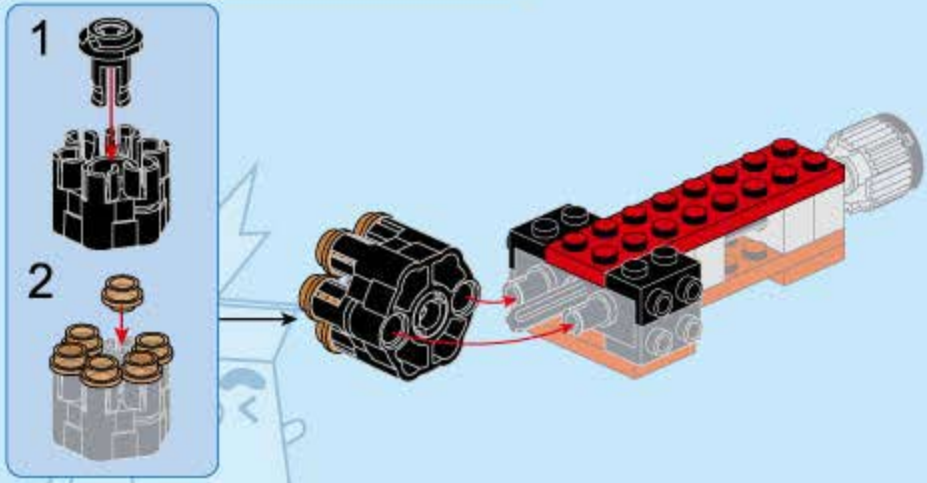
1x



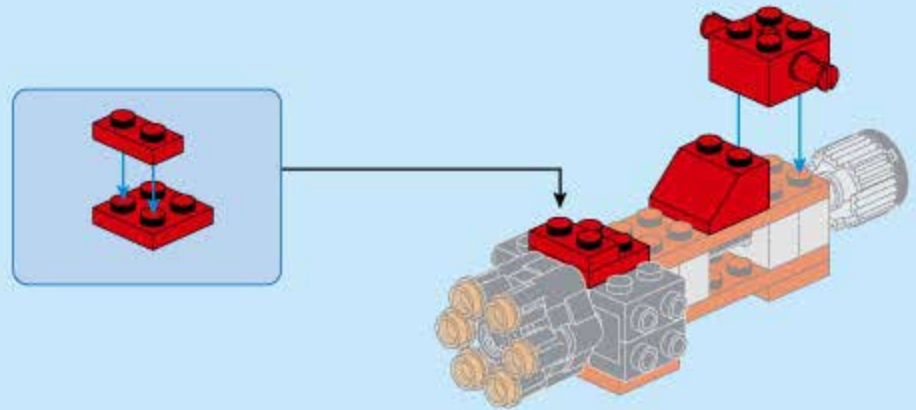
C58



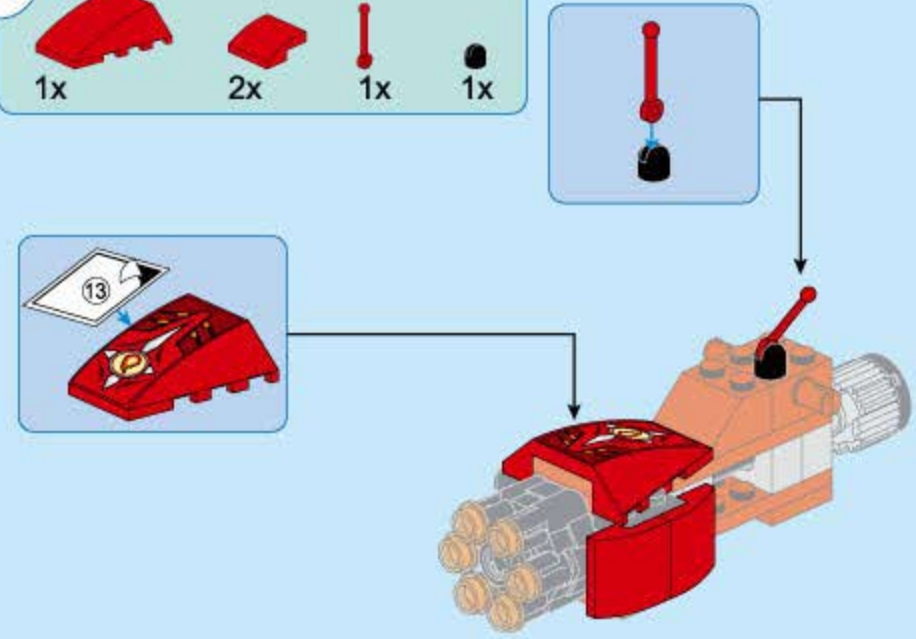
C59



C60



C61



C62



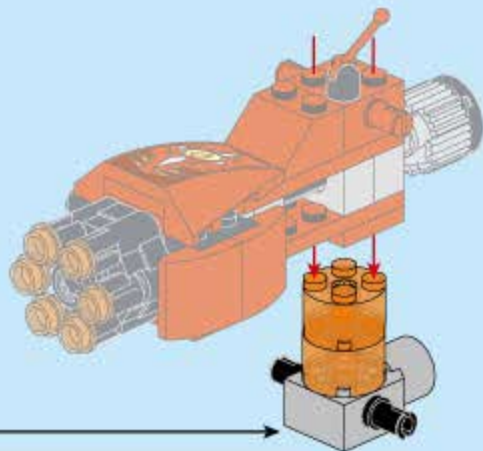
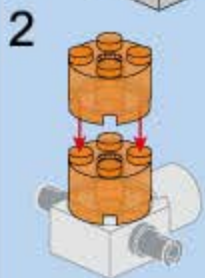
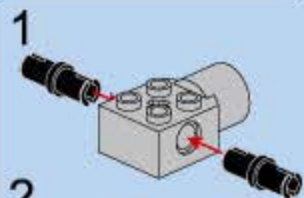
1x



2x



2x



C64



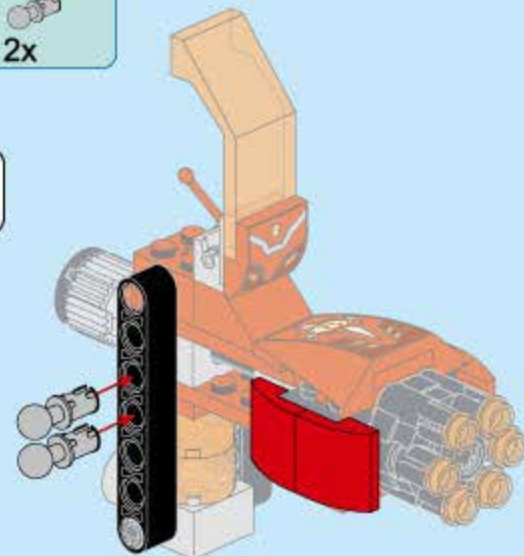
1x



2x



2x



C63



1x



1x



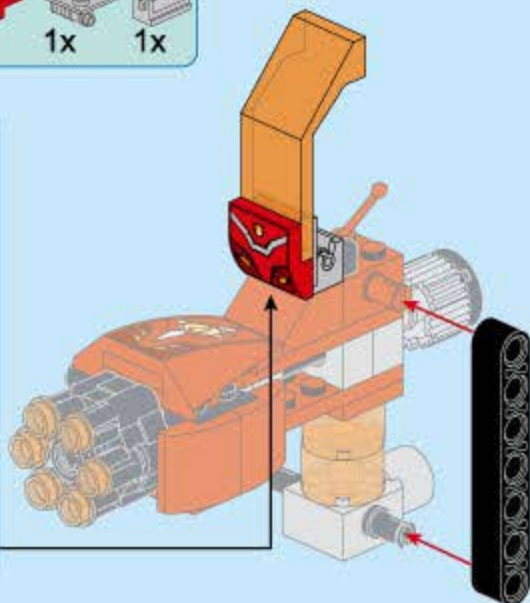
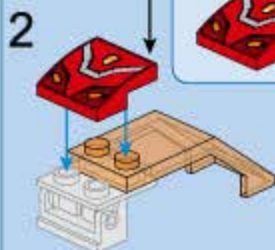
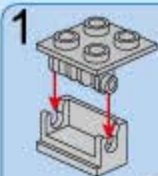
1x



1x



1x



C65



1x



1x



2x



1x



C66

2x  2x  2x 

 ② **1:1**

C65

C54

C41

2x



C67

- 2x
- 2x
- 2x
- 1x
- 2x
- 2x
- 1x
- 1x
- 1x
- 1x
- 2x
- 2x
- 1x
- 1x
- 2x
- 2x

1

2

3

4

5

6

7

8

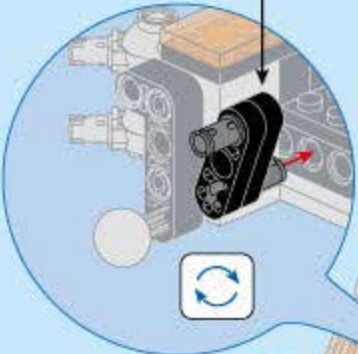
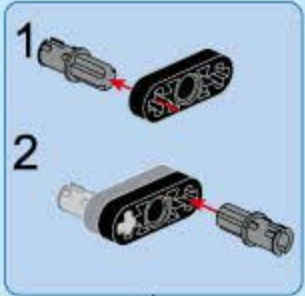
9

10

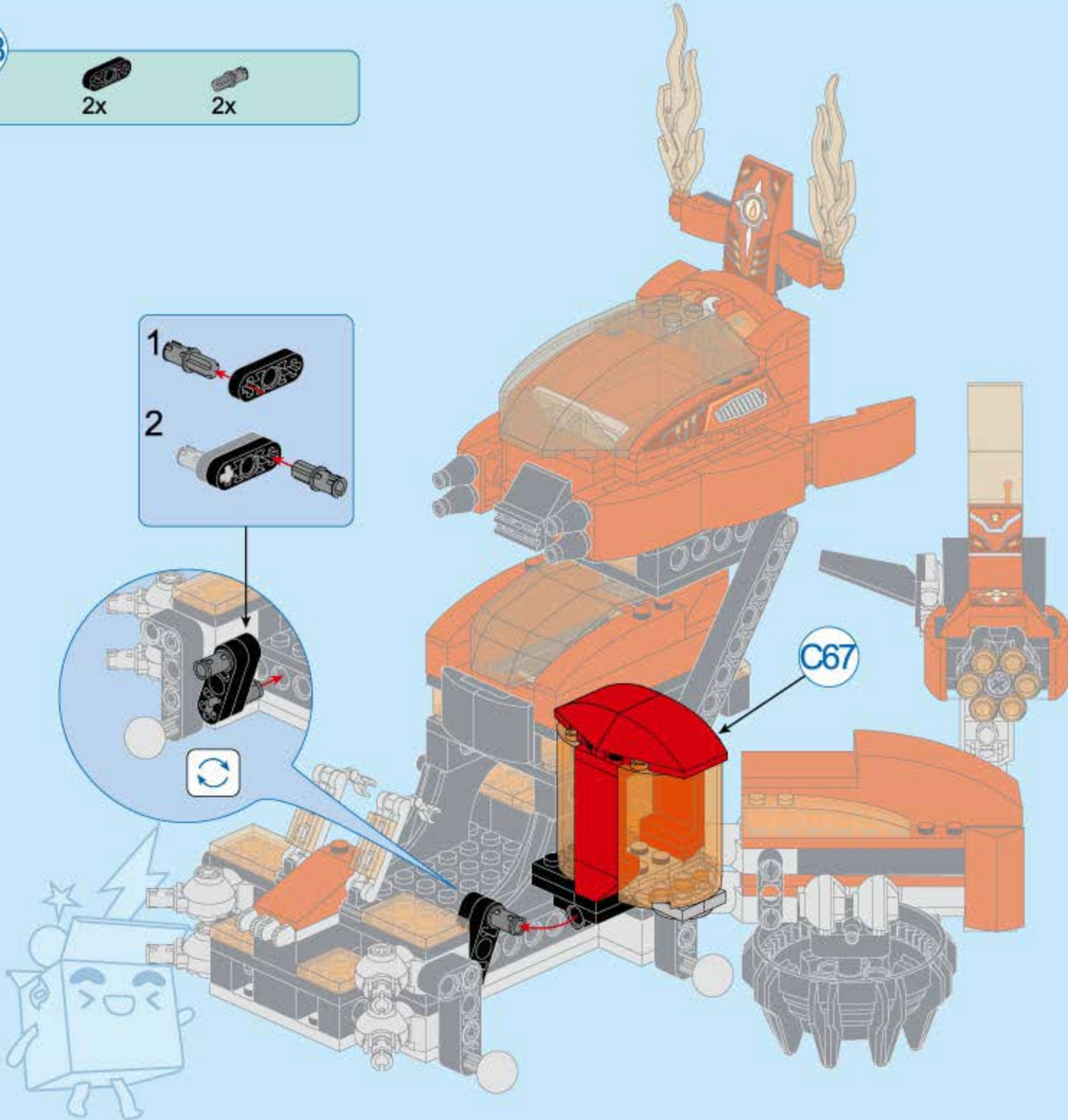
C68

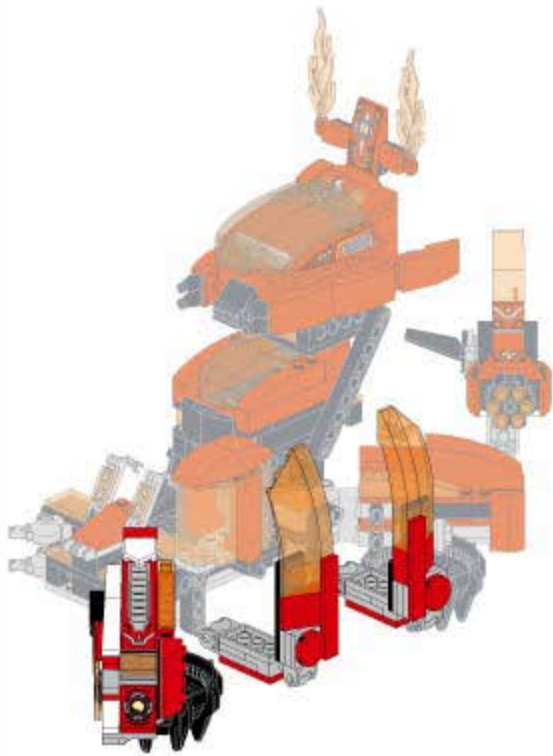
2x

2x

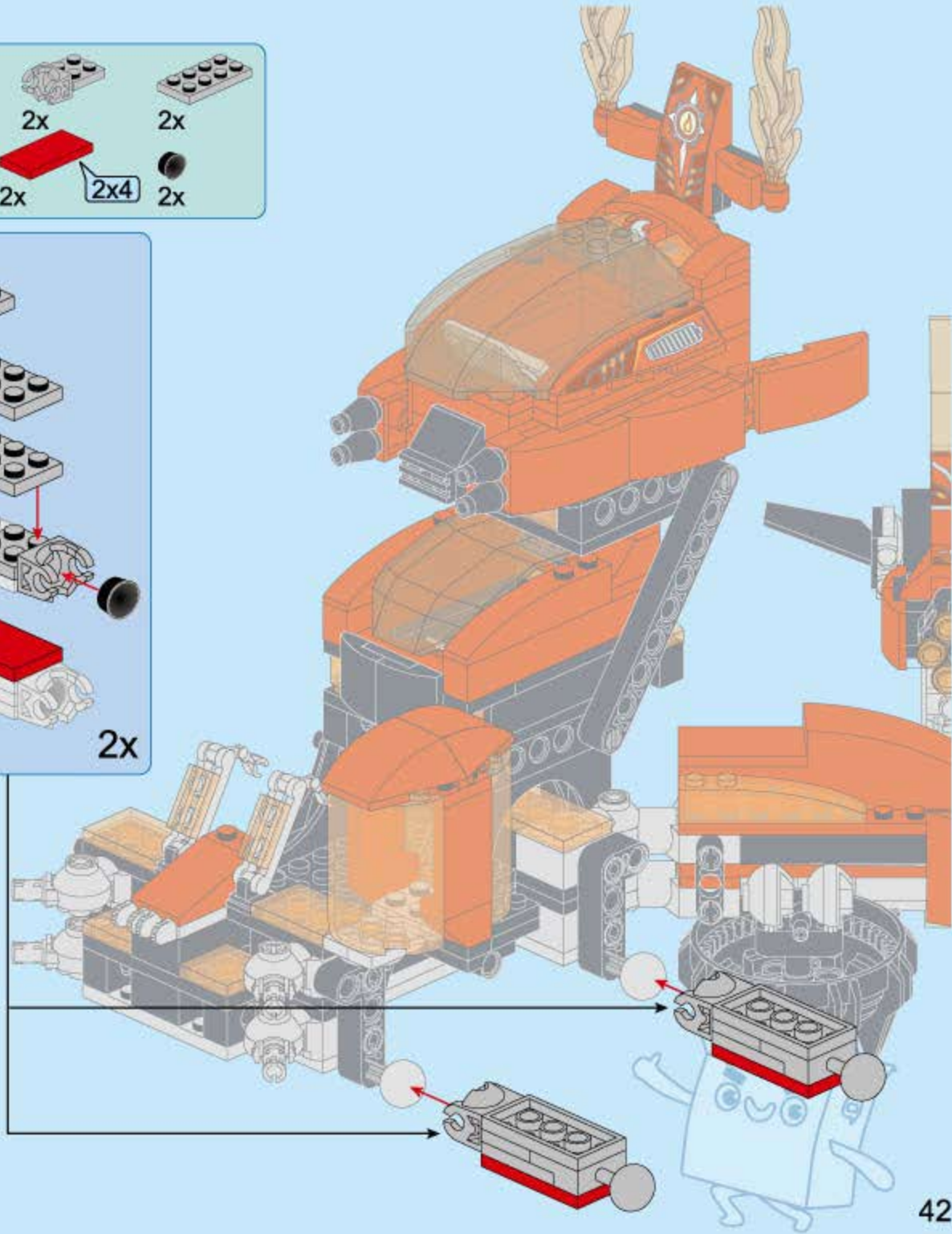
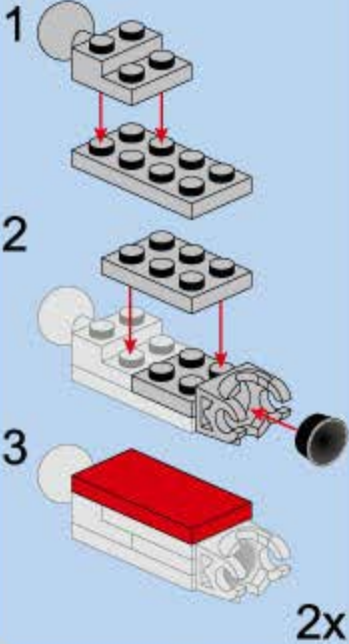
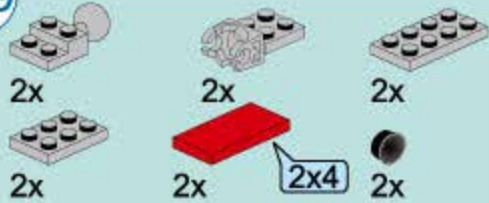


C67



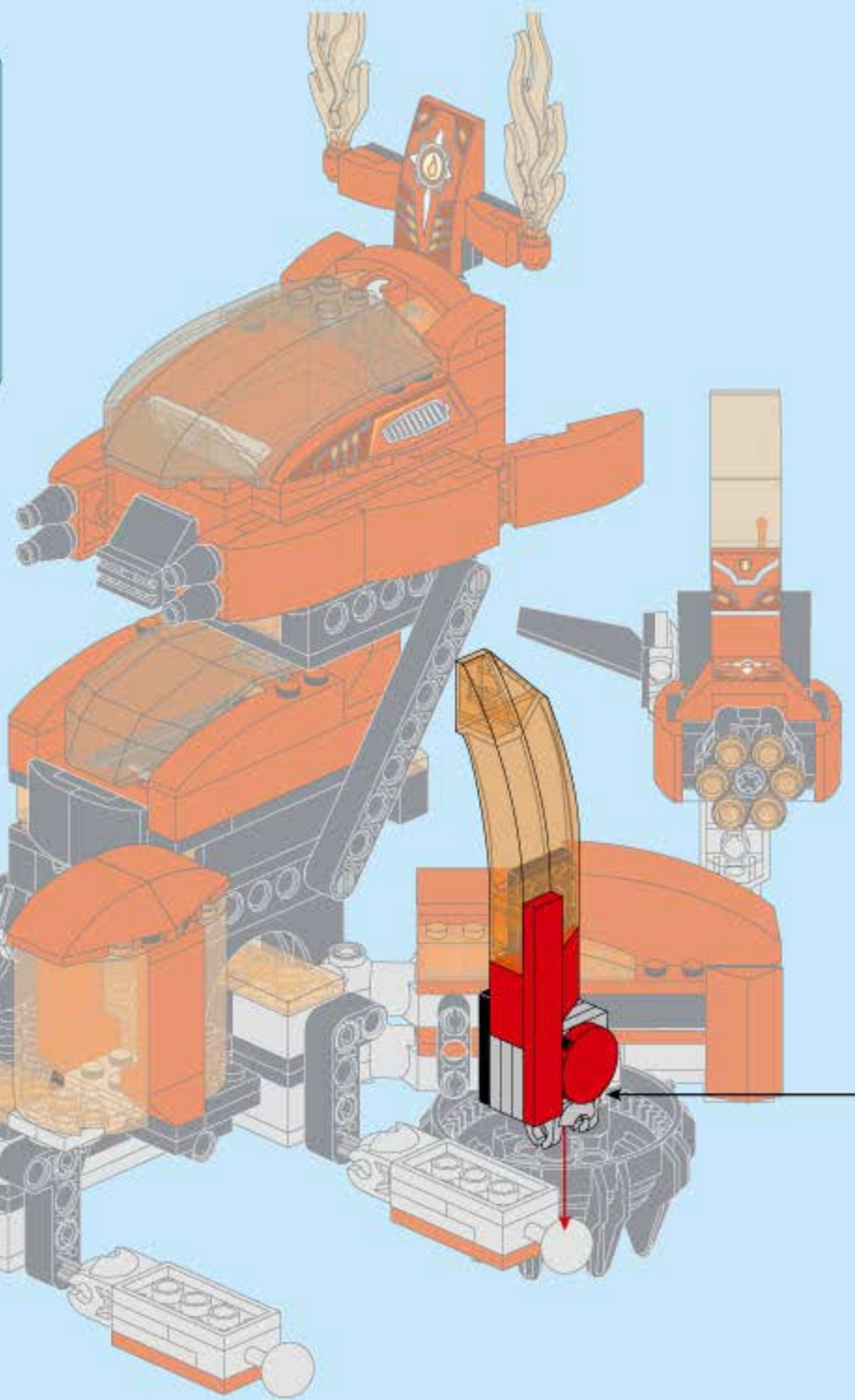


C69



C70

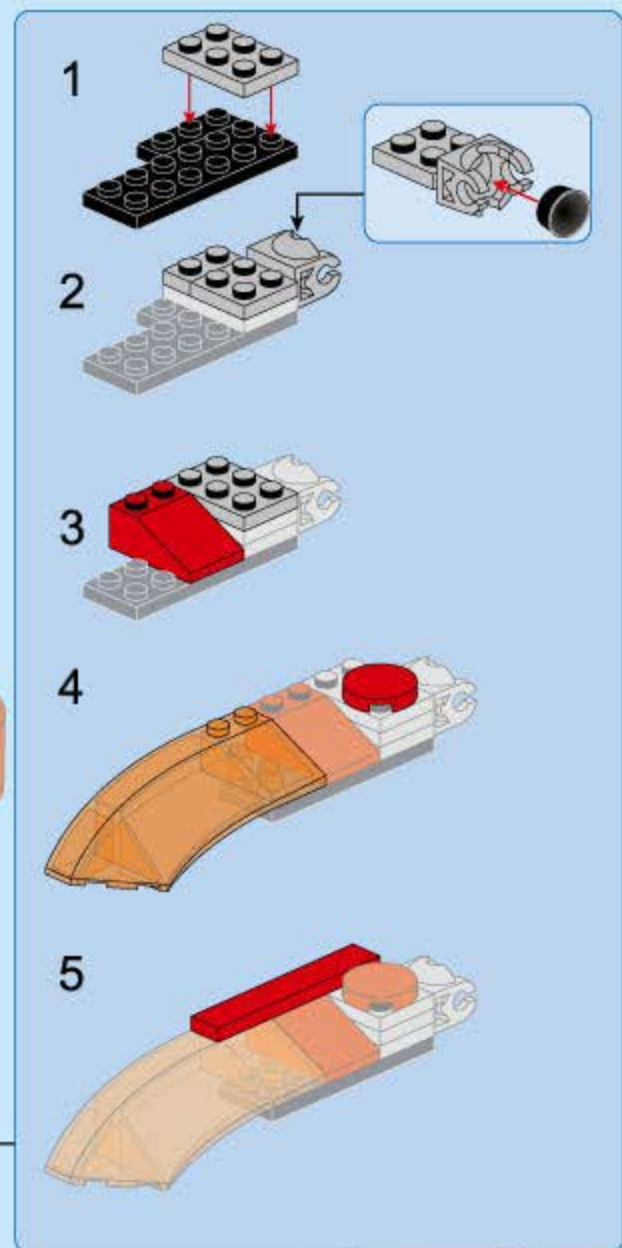
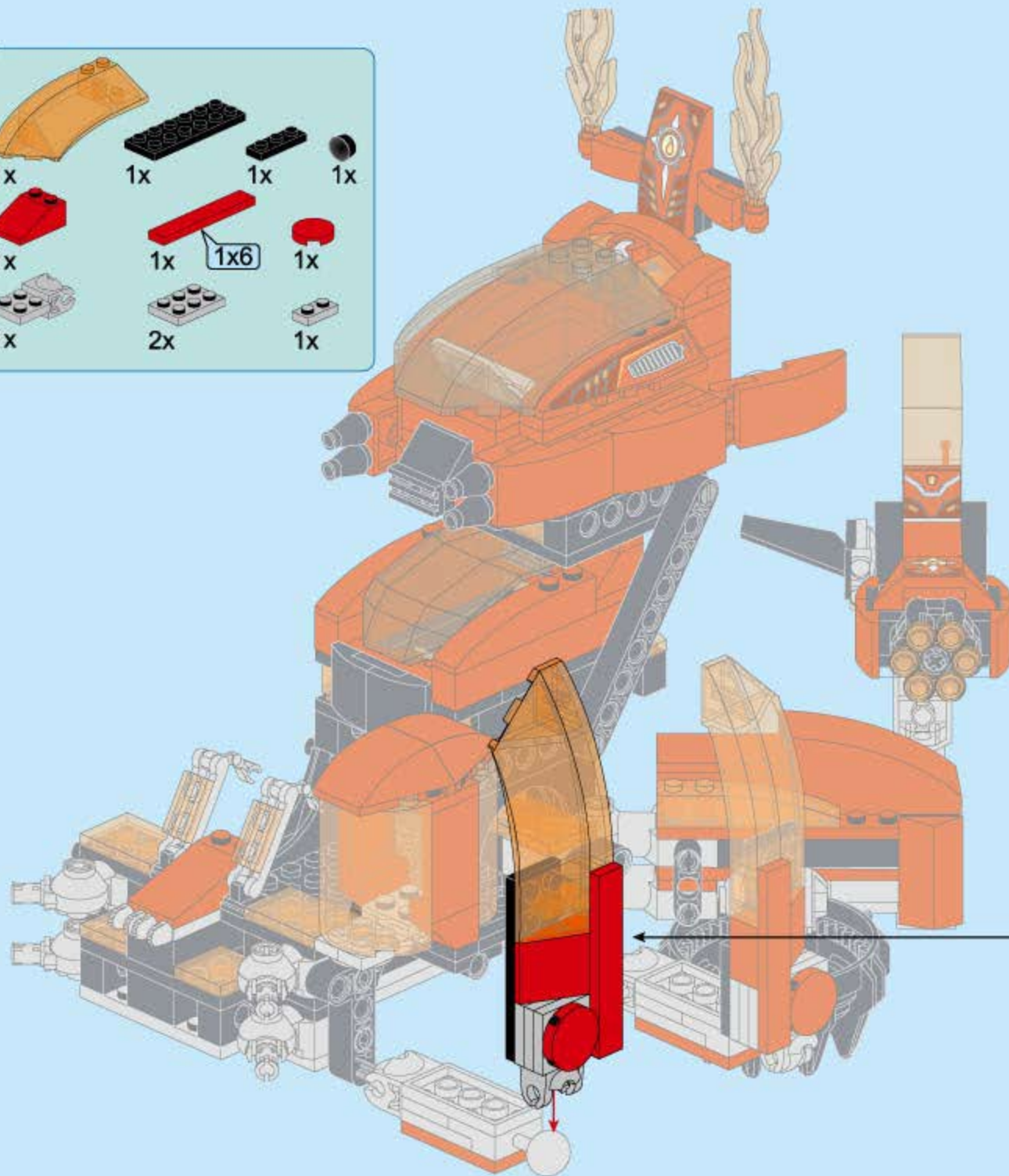
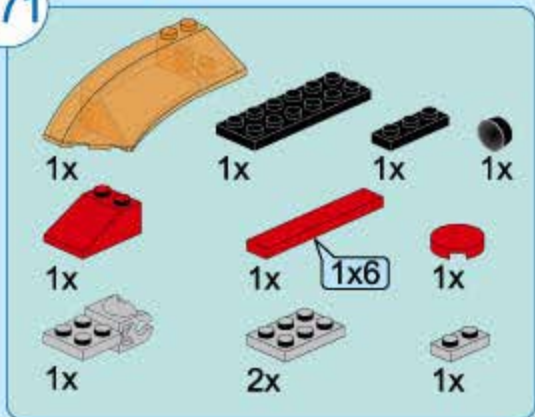
- 1x (Orange Technic Beam 1x3)
- 1x (Black Technic Beam 1x6)
- 1x (Black Technic Beam 1x3)
- 1x (Black Technic Pin)
- 1x (Red Technic Pin)
- 1x (Red Technic Beam 1x6)
- 1x (Red Technic Pin)
- 1x (Grey Technic Beam 1x3)
- 2x (Grey Technic Beam 1x3)
- 1x (Grey Technic Beam 1x3)



1. A grey 1x3 Technic beam is placed on top of a black 1x6 Technic beam.
2. A grey 1x3 Technic beam is placed on top of the grey 1x3 Technic beam from step 1. An inset shows a black pin being inserted into the hole of the grey 1x3 Technic beam.
3. A red Technic pin is inserted into the hole of the grey 1x3 Technic beam from step 2.
4. An orange Technic beam 1x3 is placed on top of the grey 1x3 Technic beam from step 3.
5. A red Technic beam 1x6 is placed on top of the orange Technic beam 1x3 from step 4.



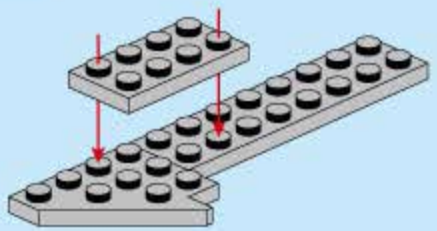
C71





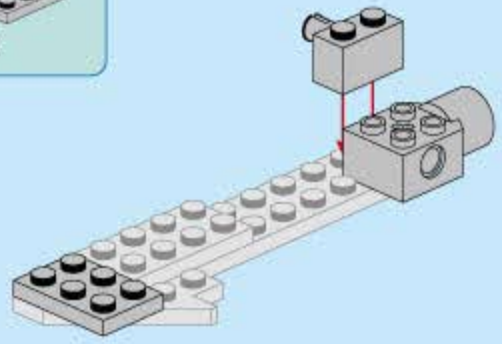
C72

1x 2x8 1x 1x



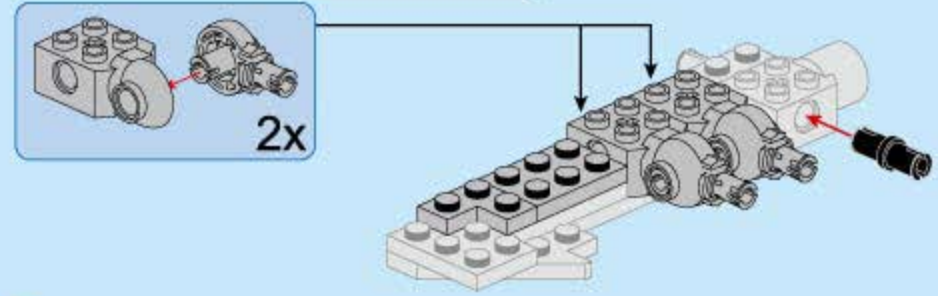
C73

1x 1x 1x



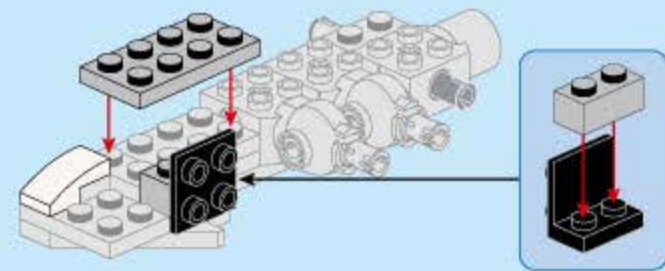
C74

2x 2x 1x 1x 1x



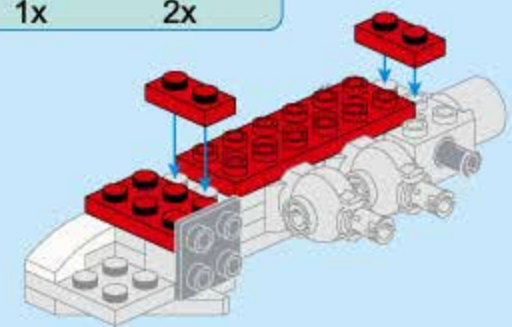
C75

1x 1x 1x 1x

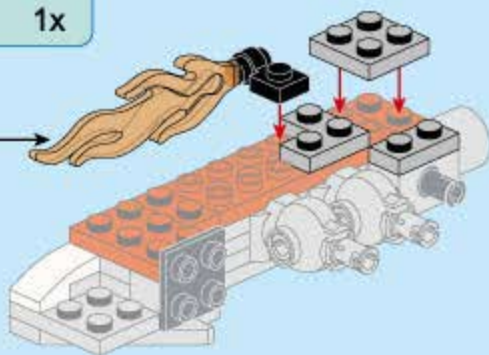


C76

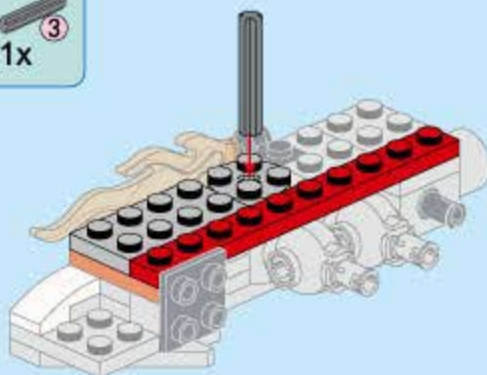
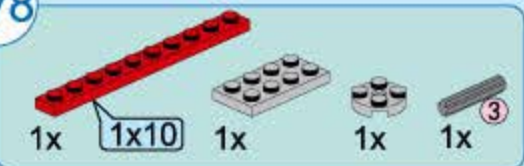
1x 1x 2x



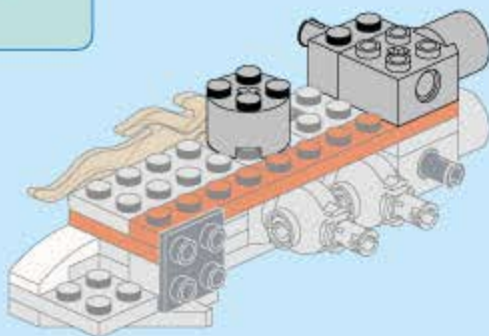
C77



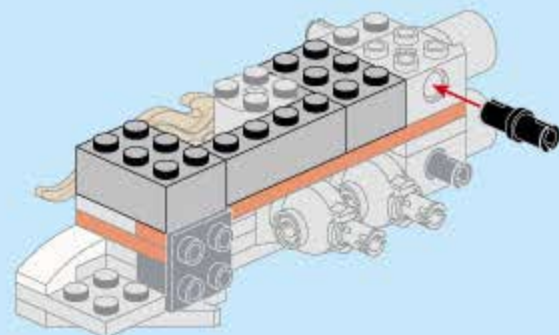
C78



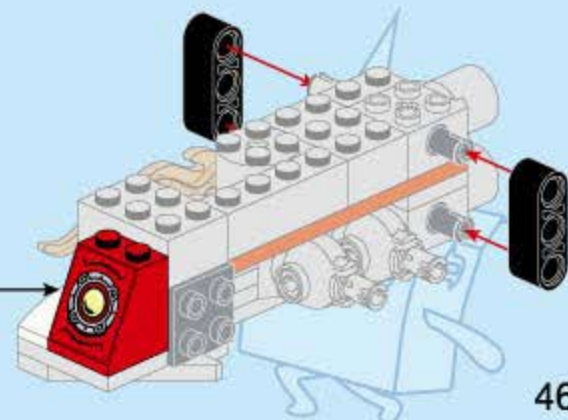
C79



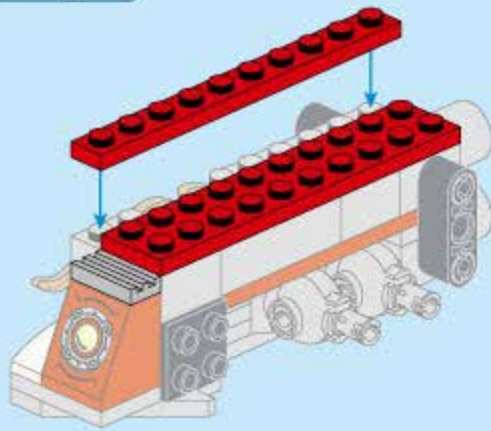
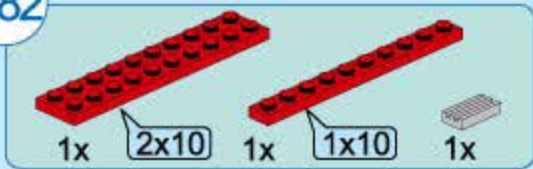
C80



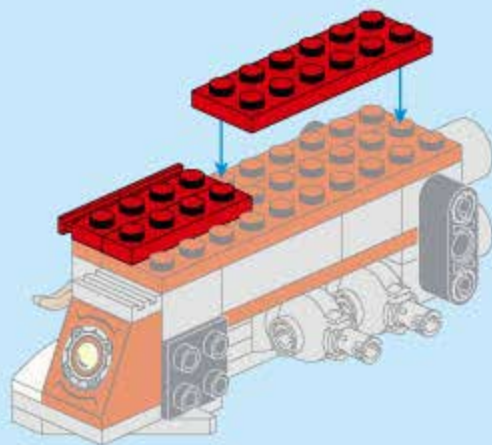
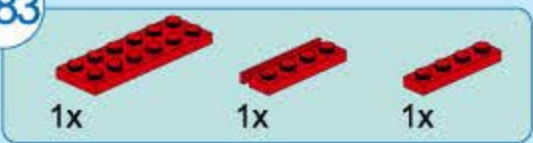
C81



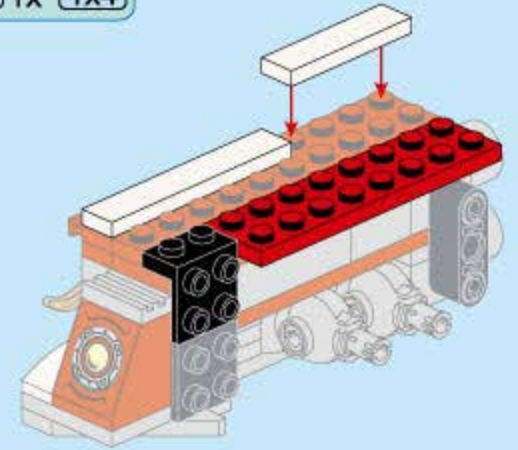
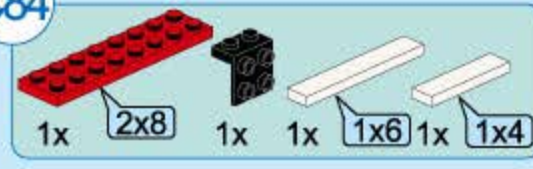
C82



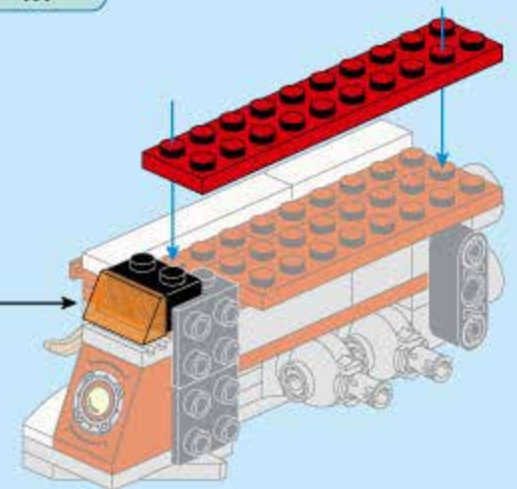
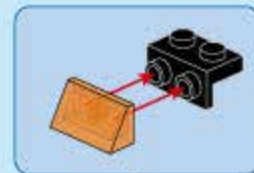
C83



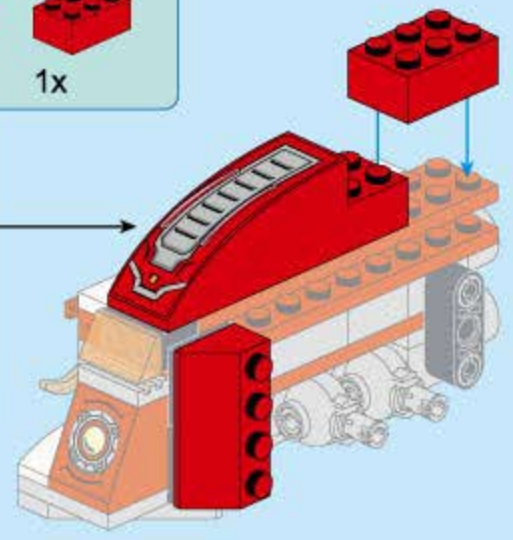
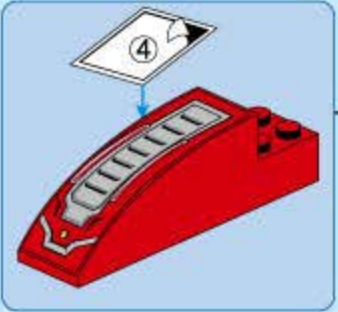
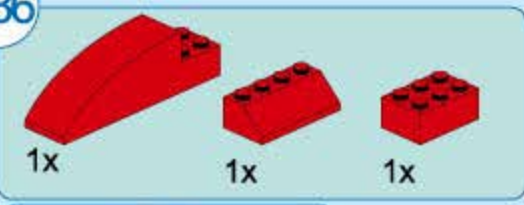
C84



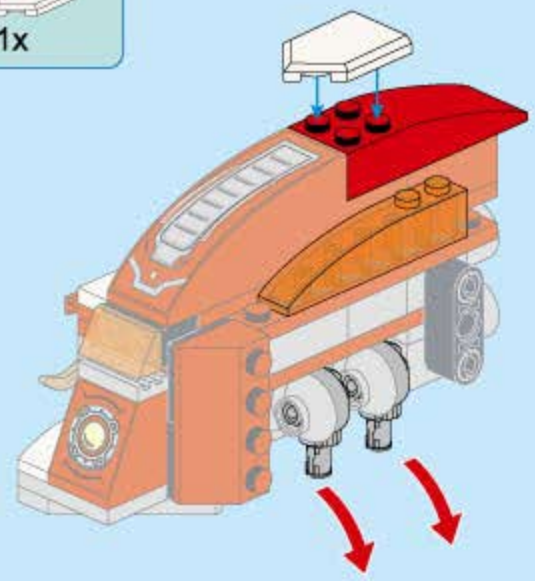
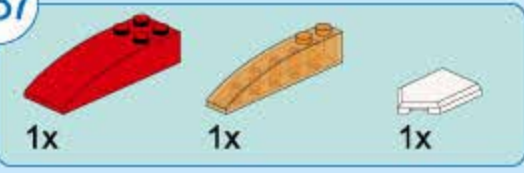
C85



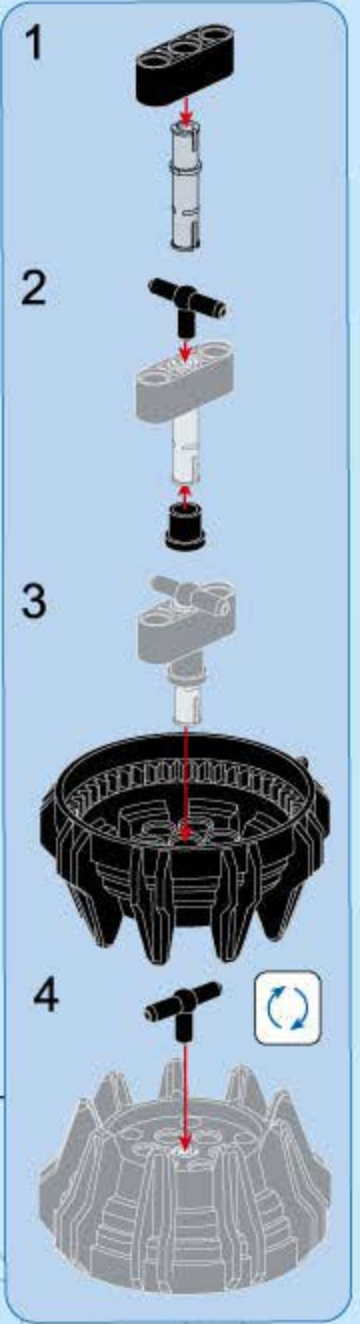
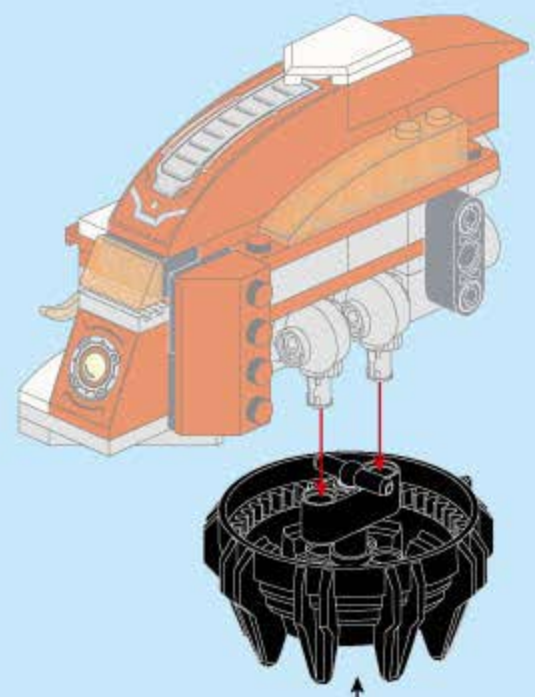
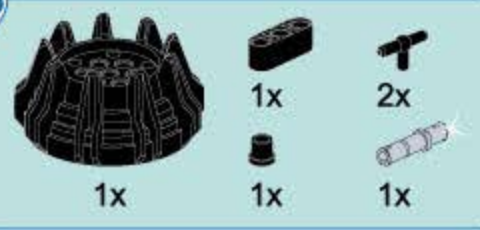
C86

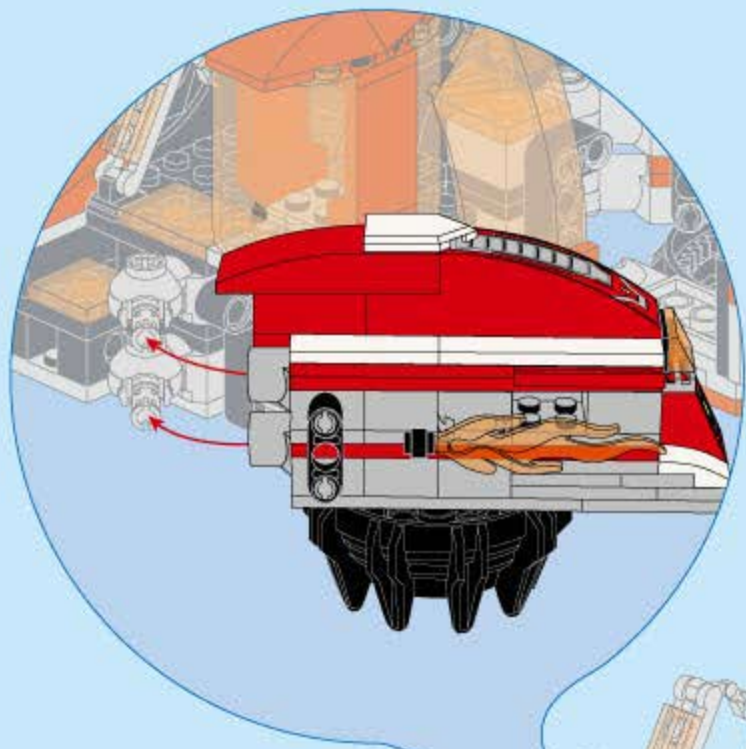


C87



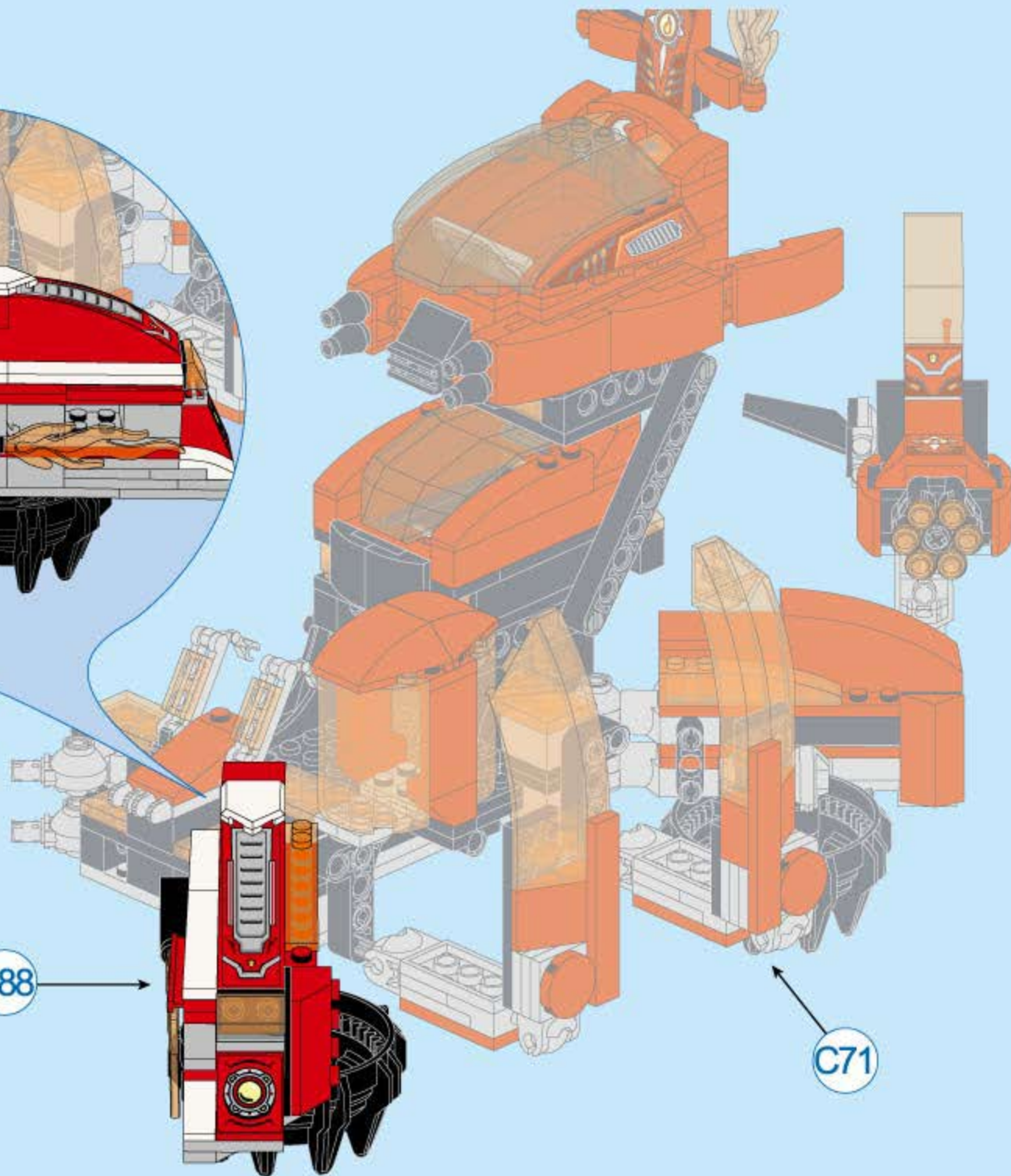
C88

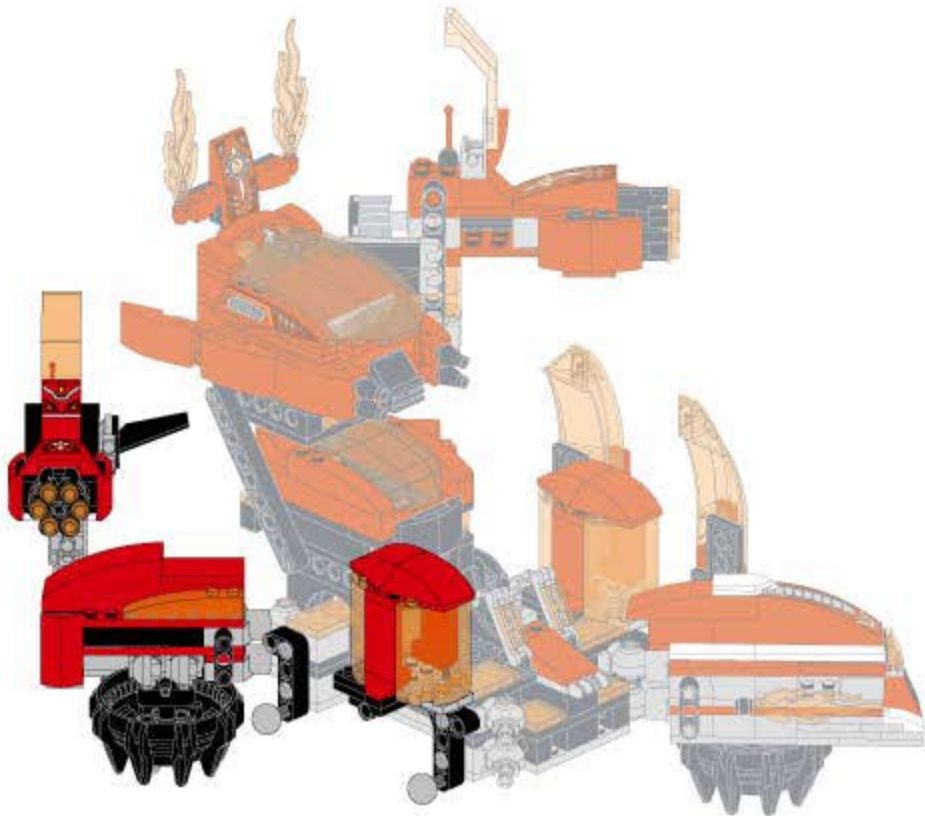




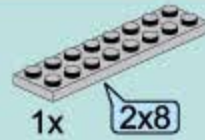
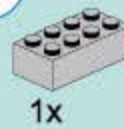
C88

C71

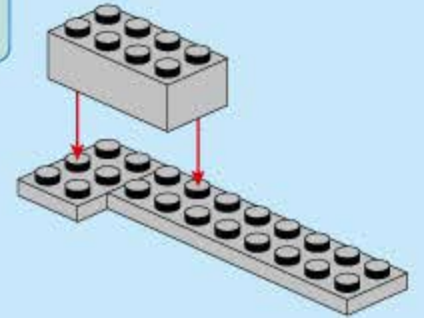




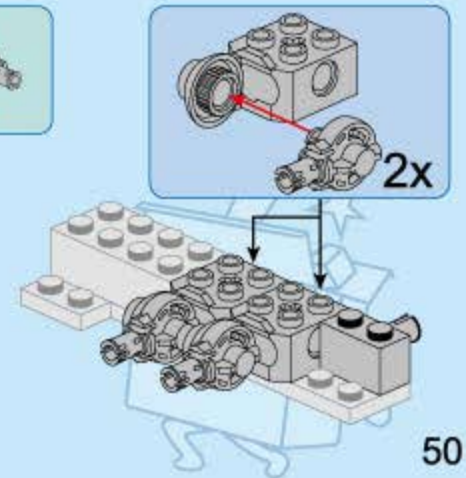
C90



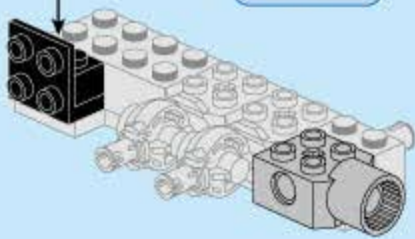
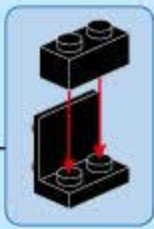
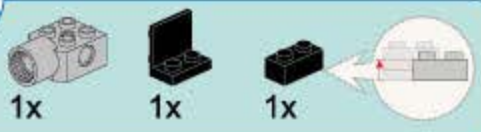
2x8



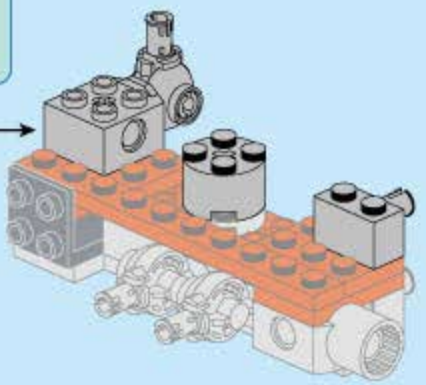
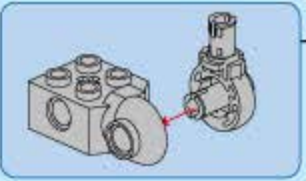
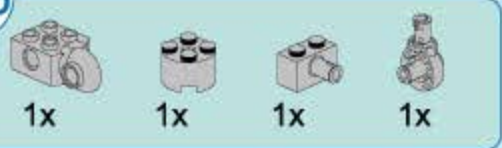
C91



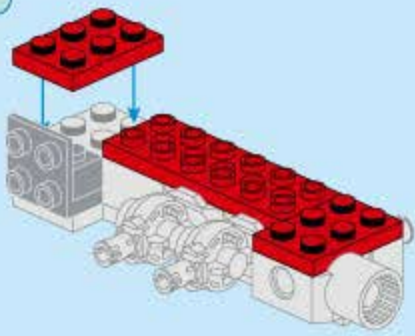
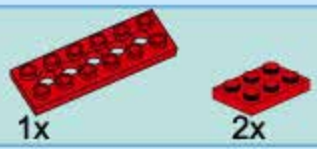
C92



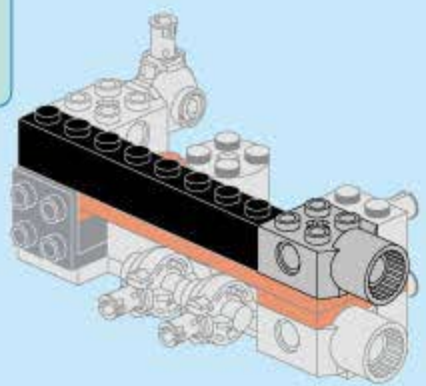
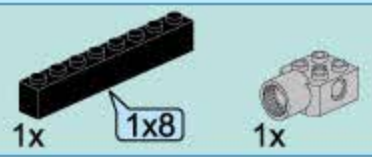
C95



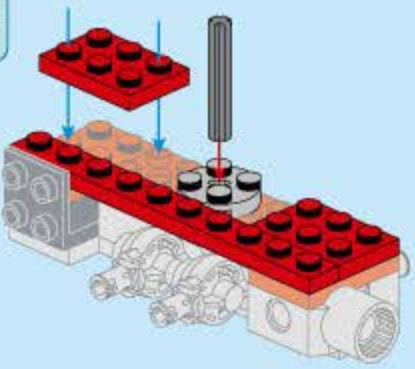
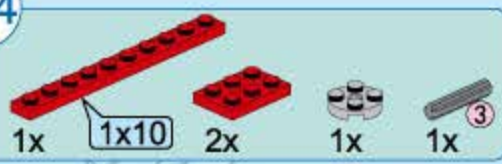
C93



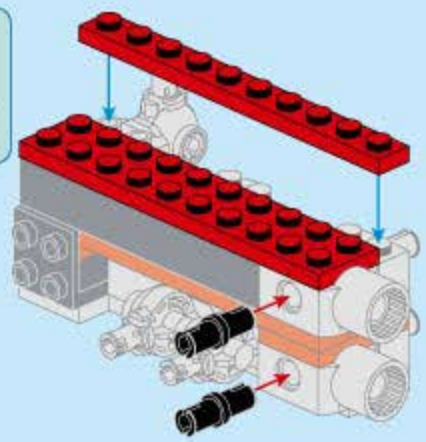
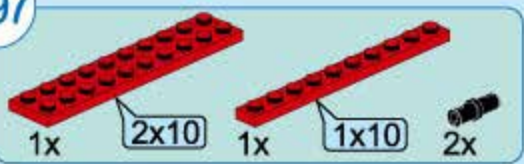
C96



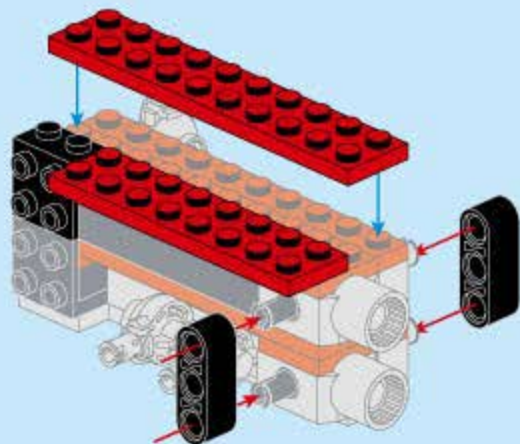
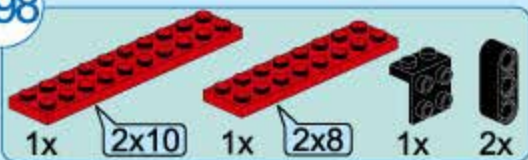
C94



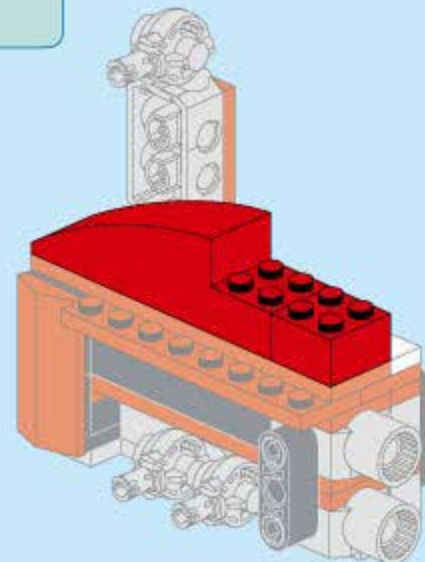
C97



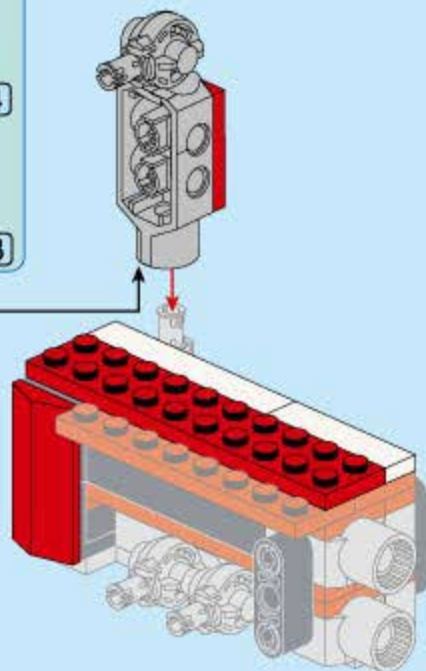
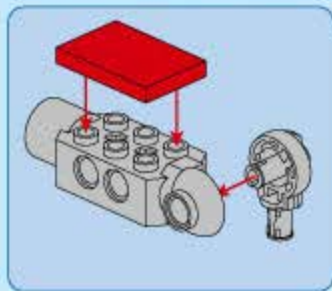
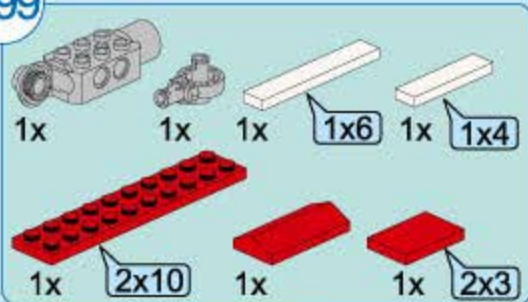
C98



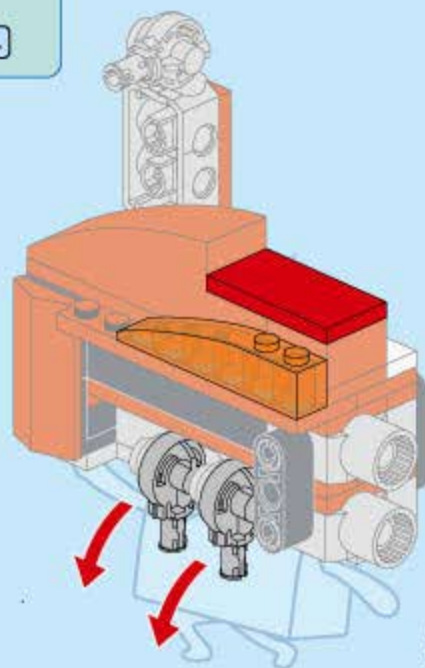
C100



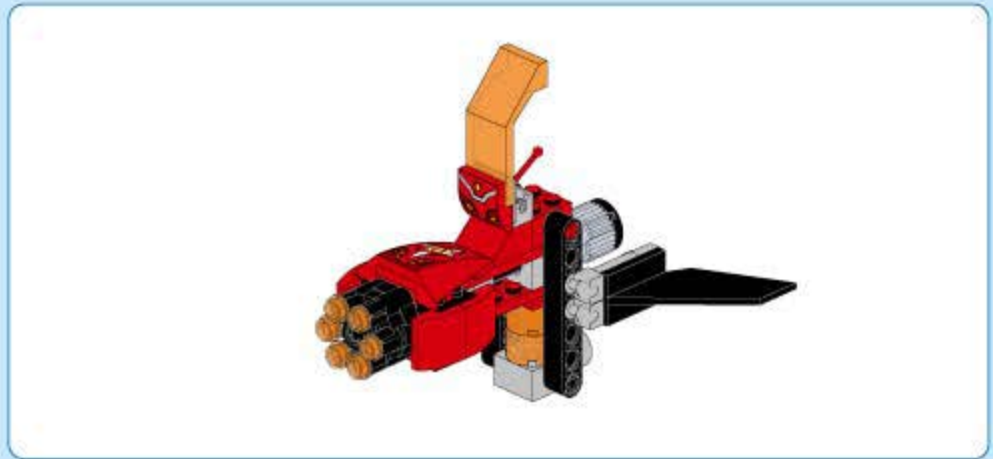
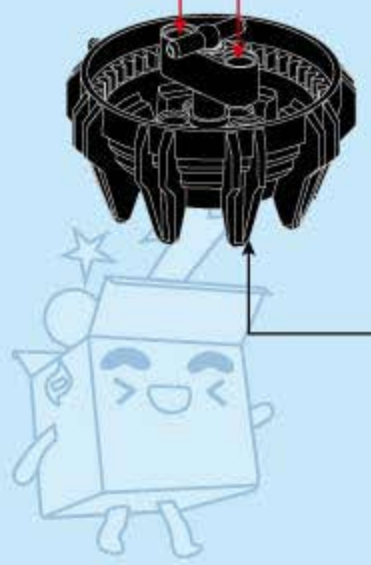
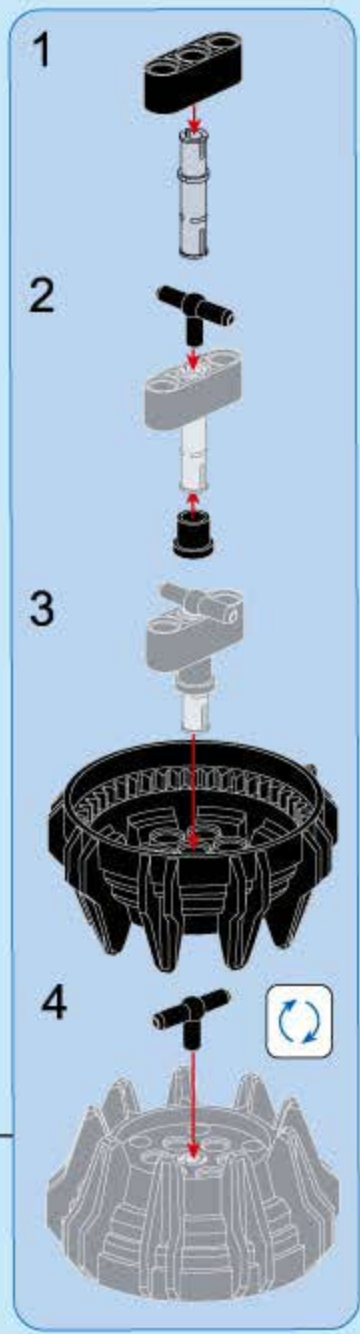
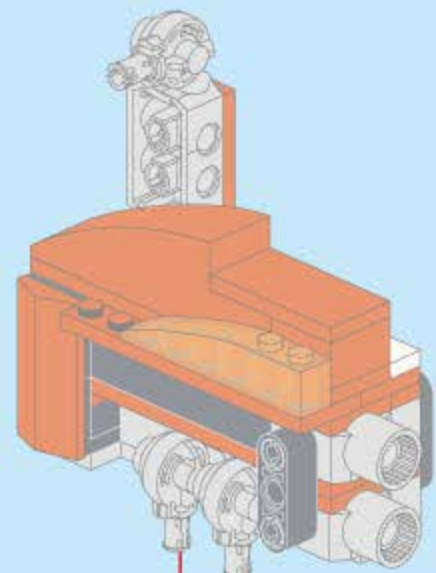
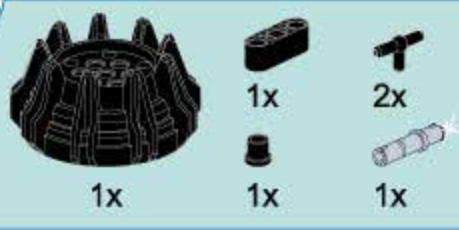
C99



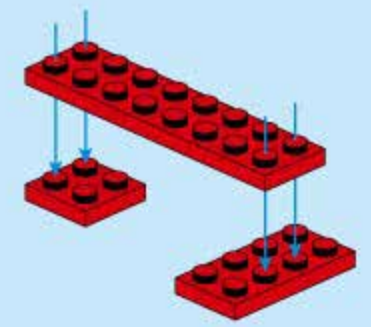
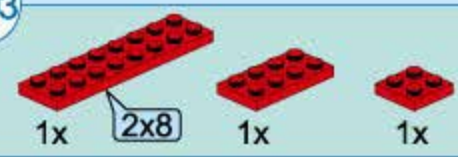
C101



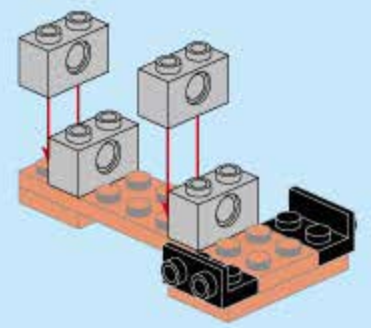
C102



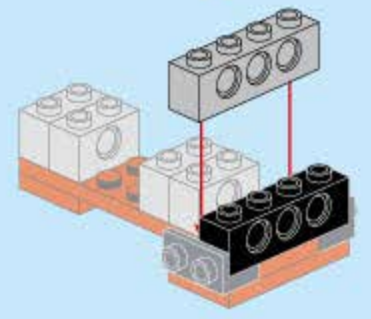
C103



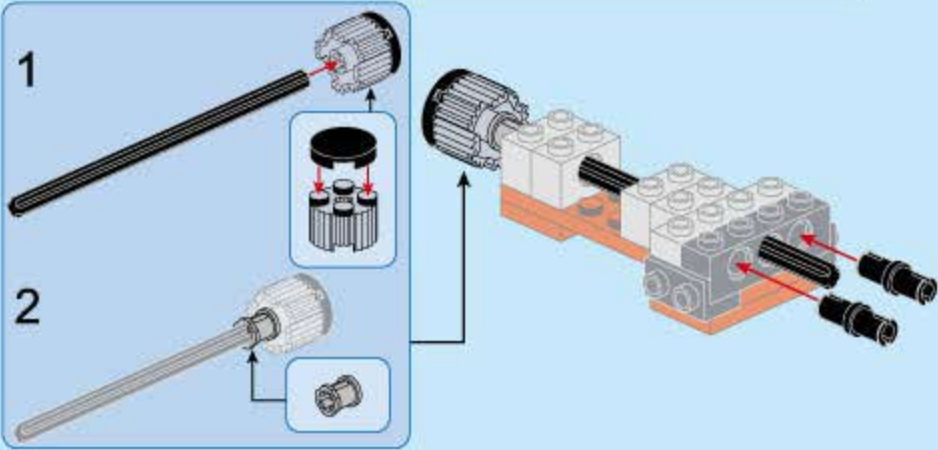
C104



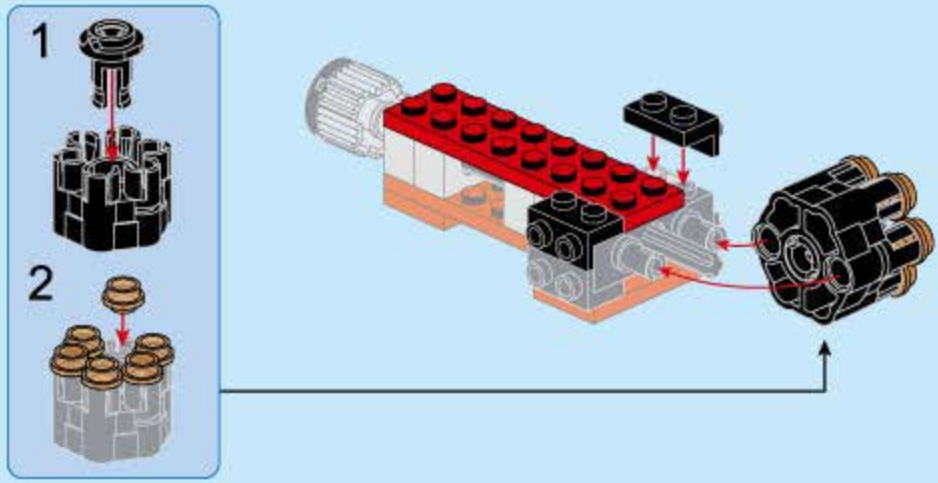
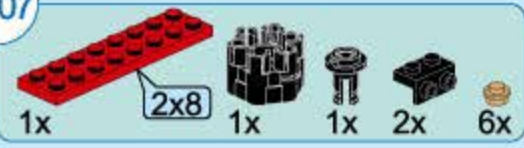
C105



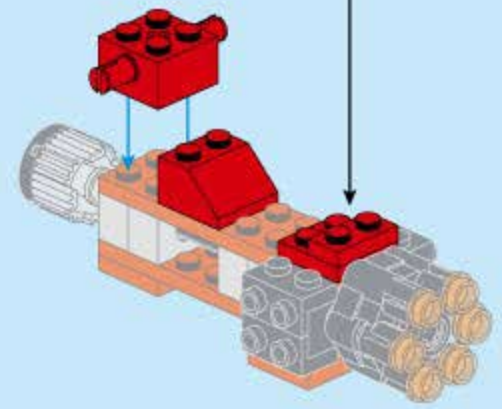
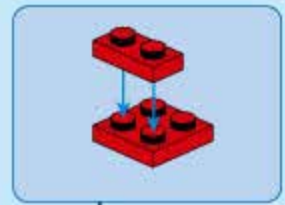
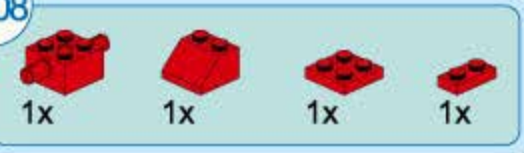
C106



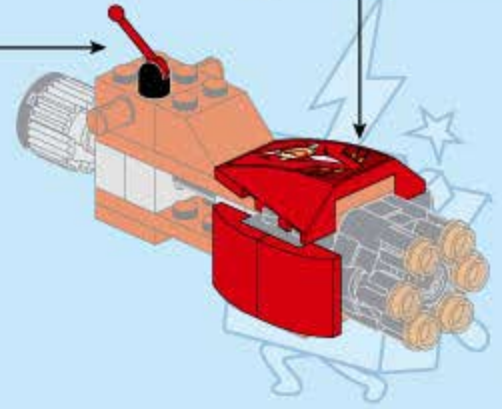
C107



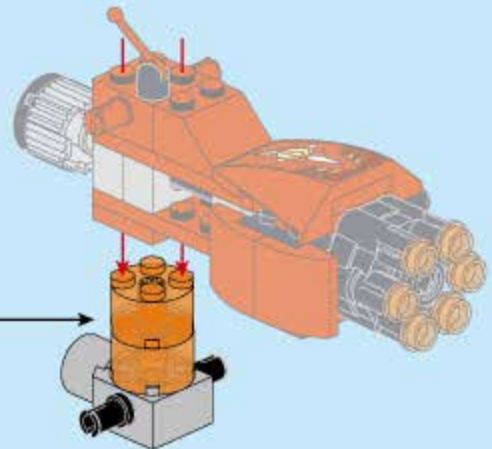
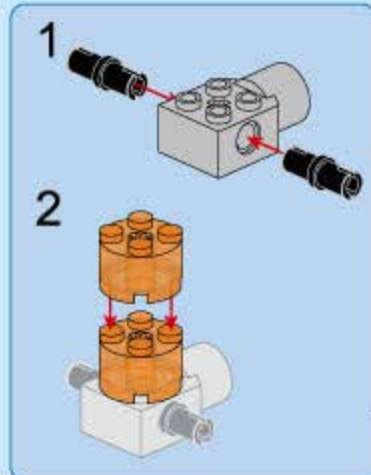
C108



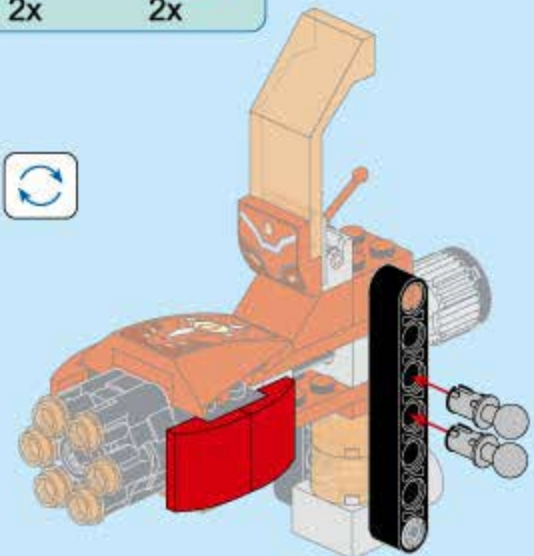
C109



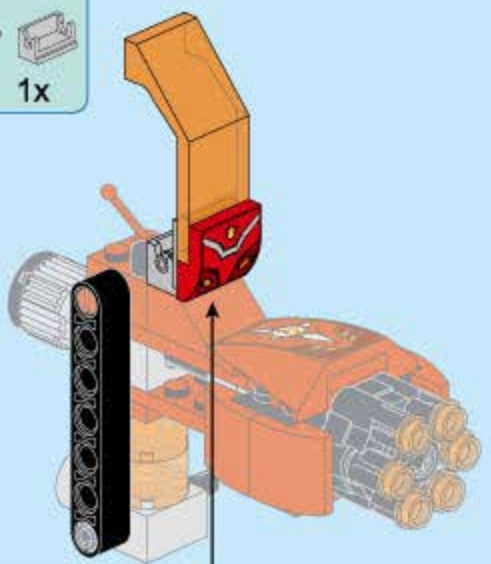
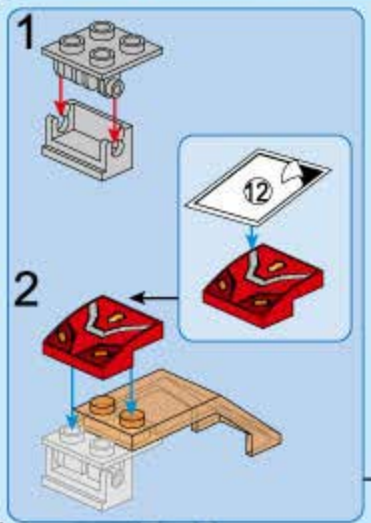
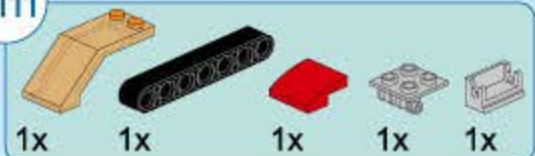
C110



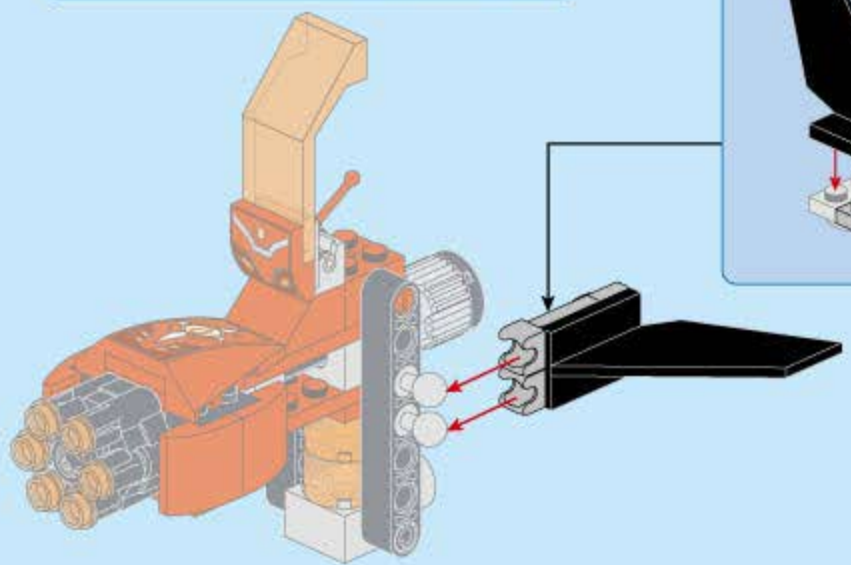
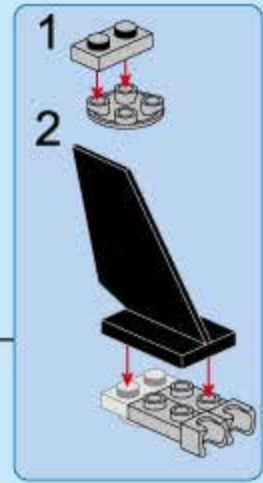
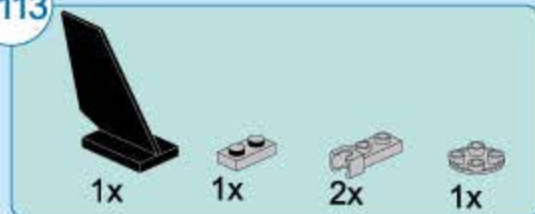
C112



C111



C113



C114



2x



2x

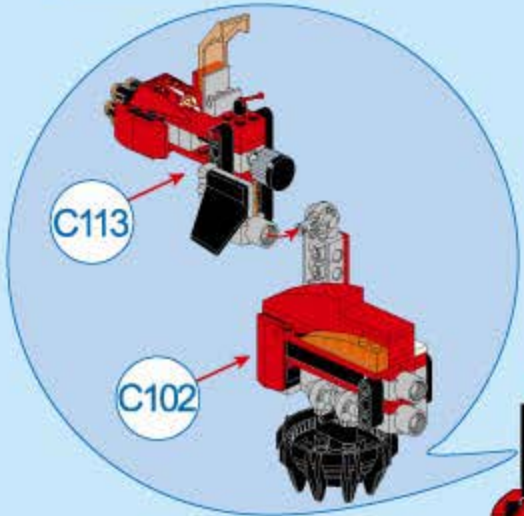


2x



2

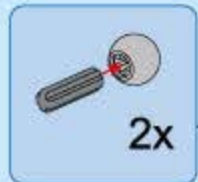
1:1



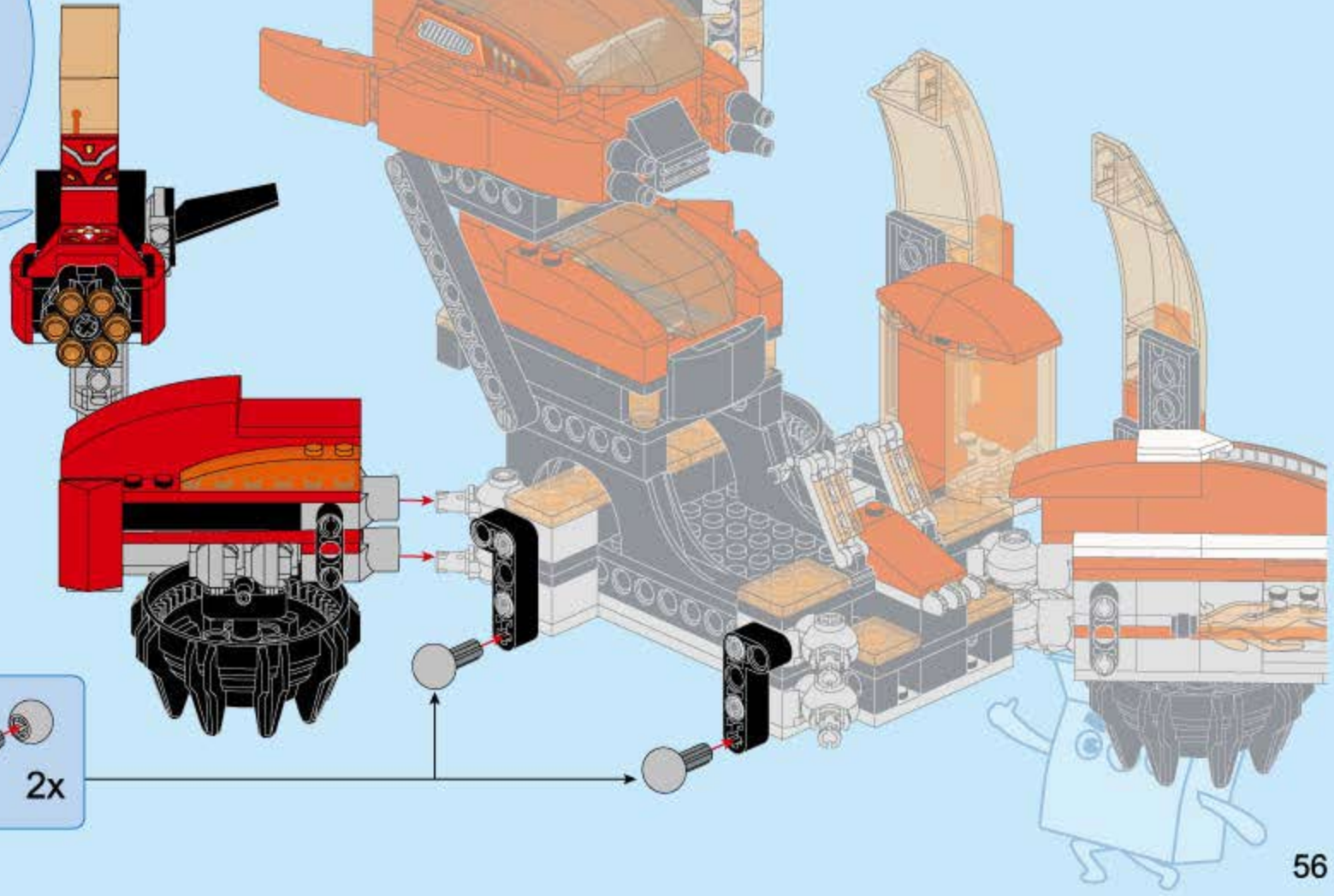
C113

C102

C89

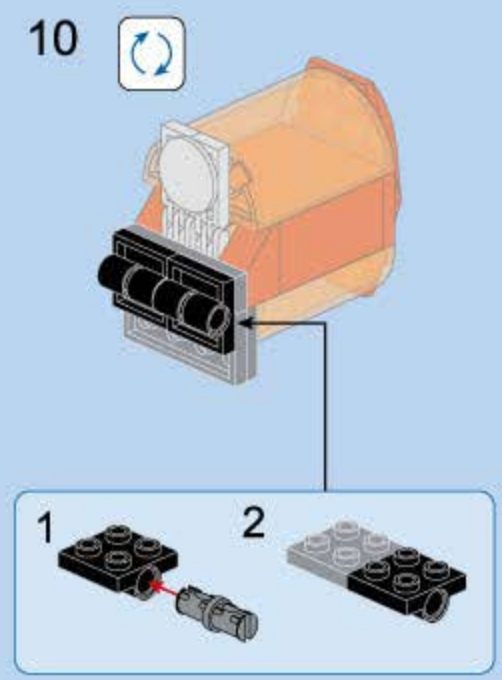
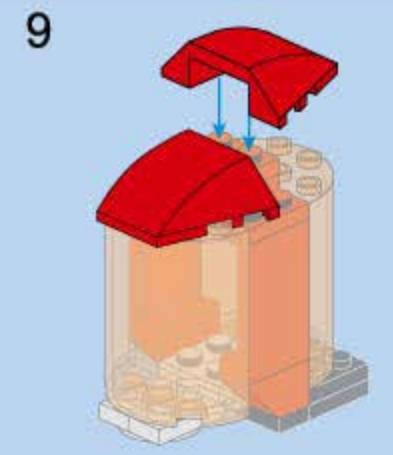
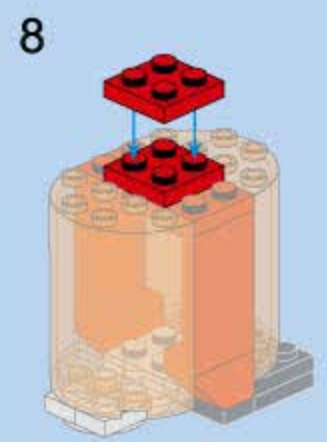
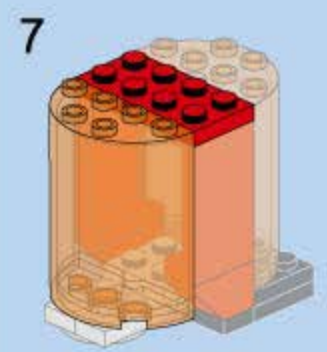
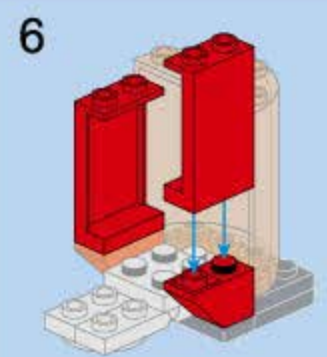
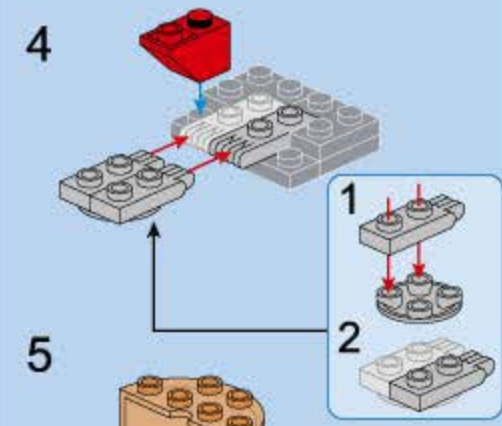
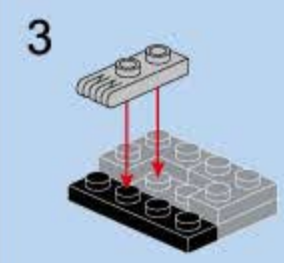
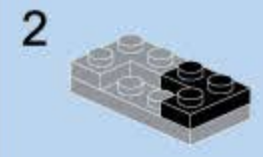
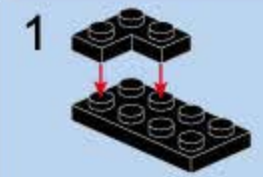


2x



C115

- 2x
- 2x
- 2x
- 1x
- 2x
- 2x
- 1x
- 1x
- 1x
- 1x
- 2x
- 2x
- 1x
- 1x
- 2x
- 2x



C116

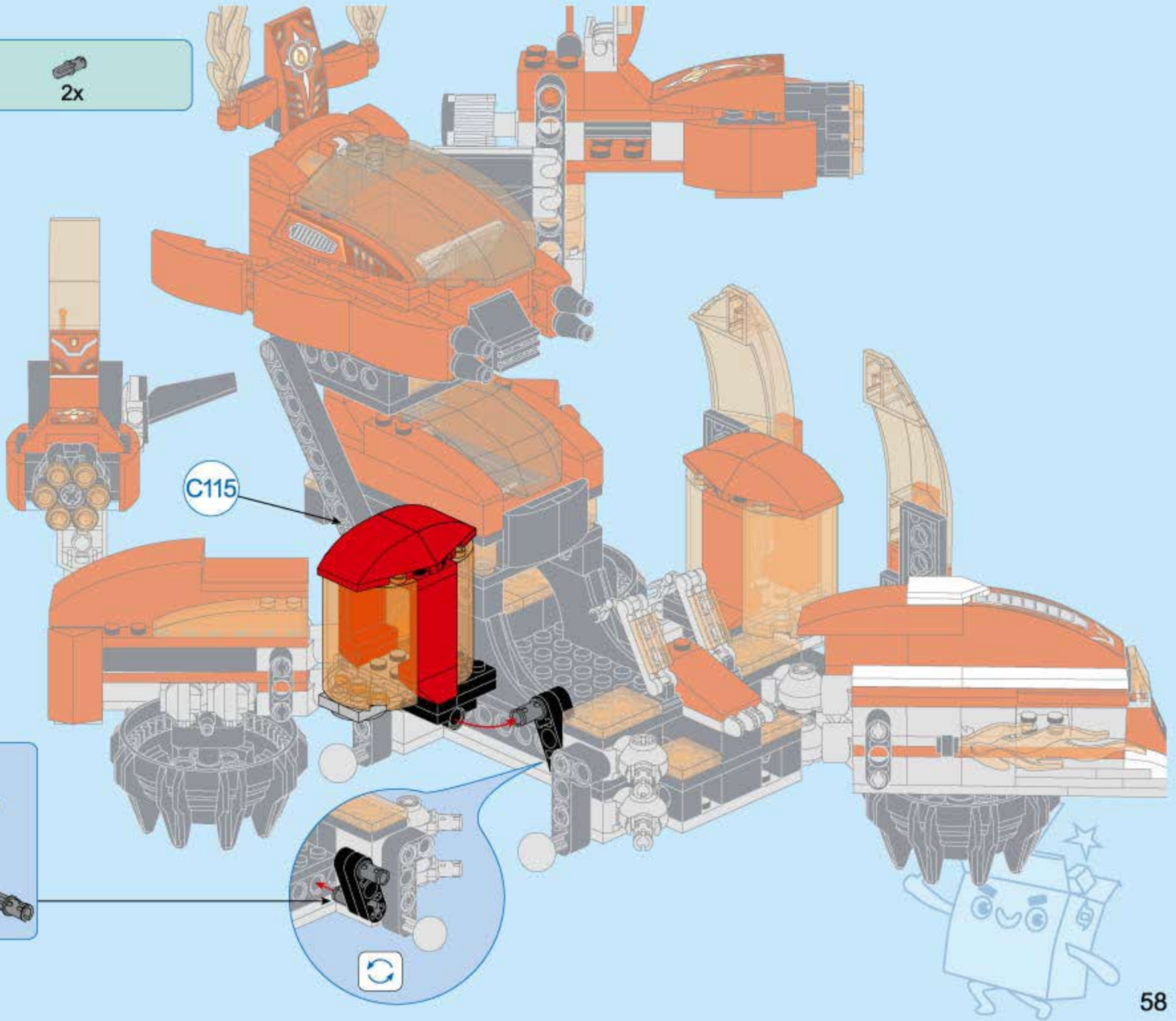
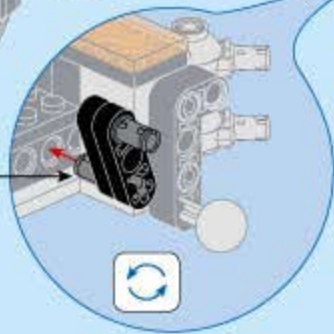
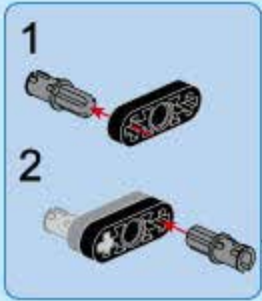


2x



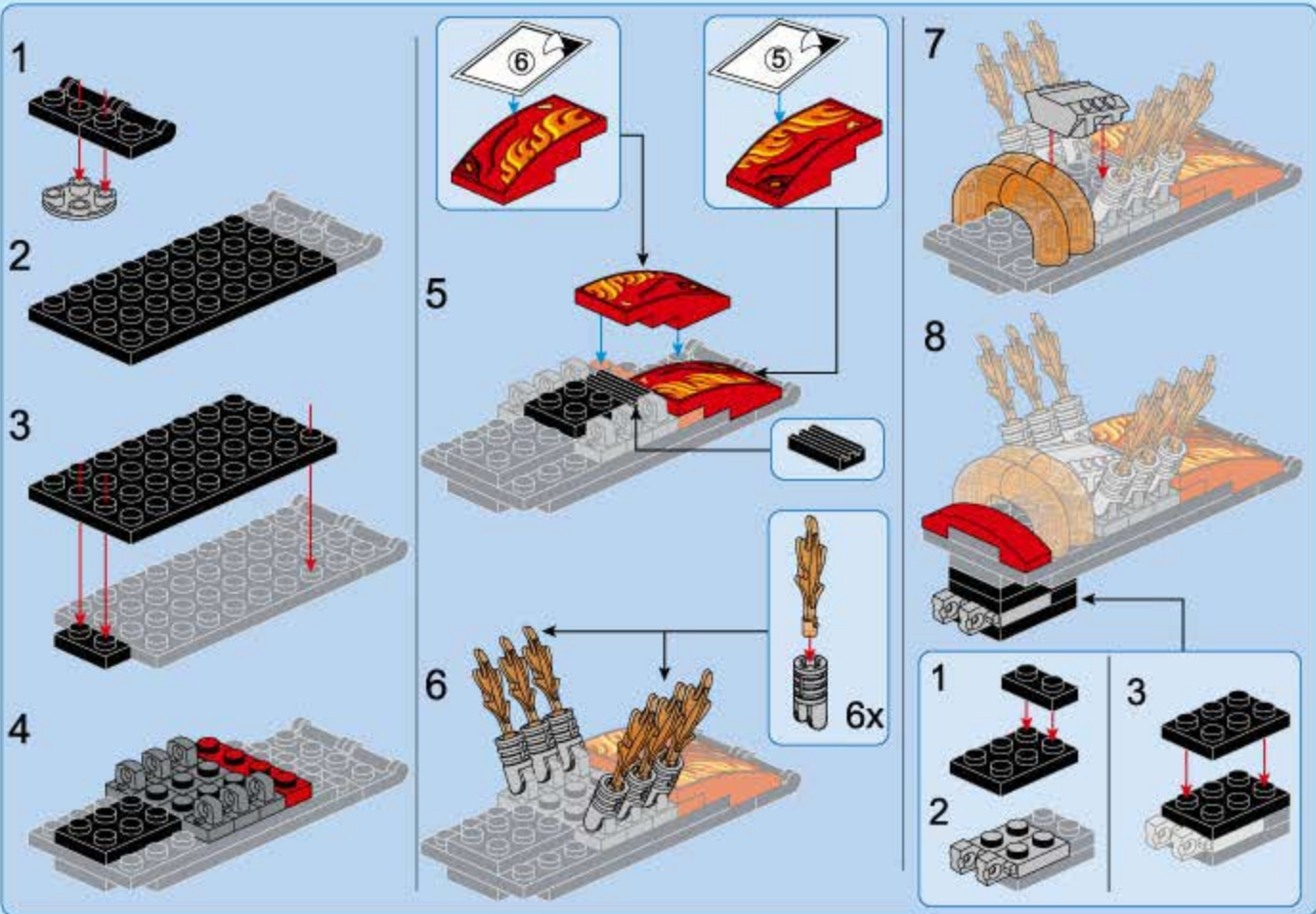
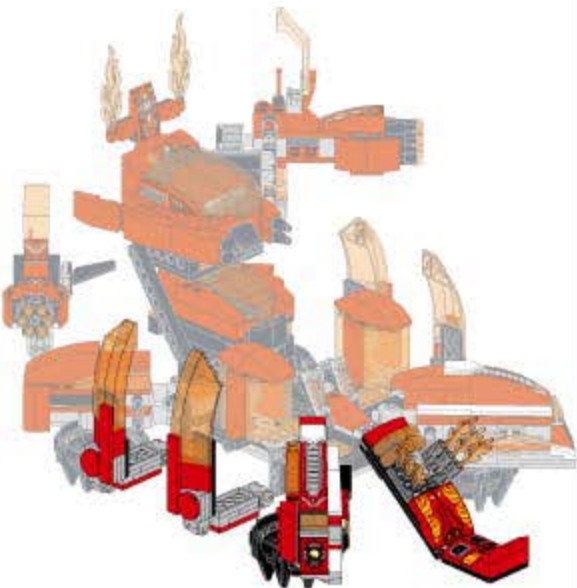
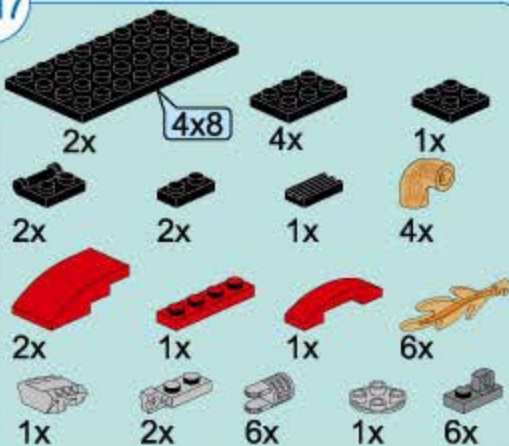
2x

C115

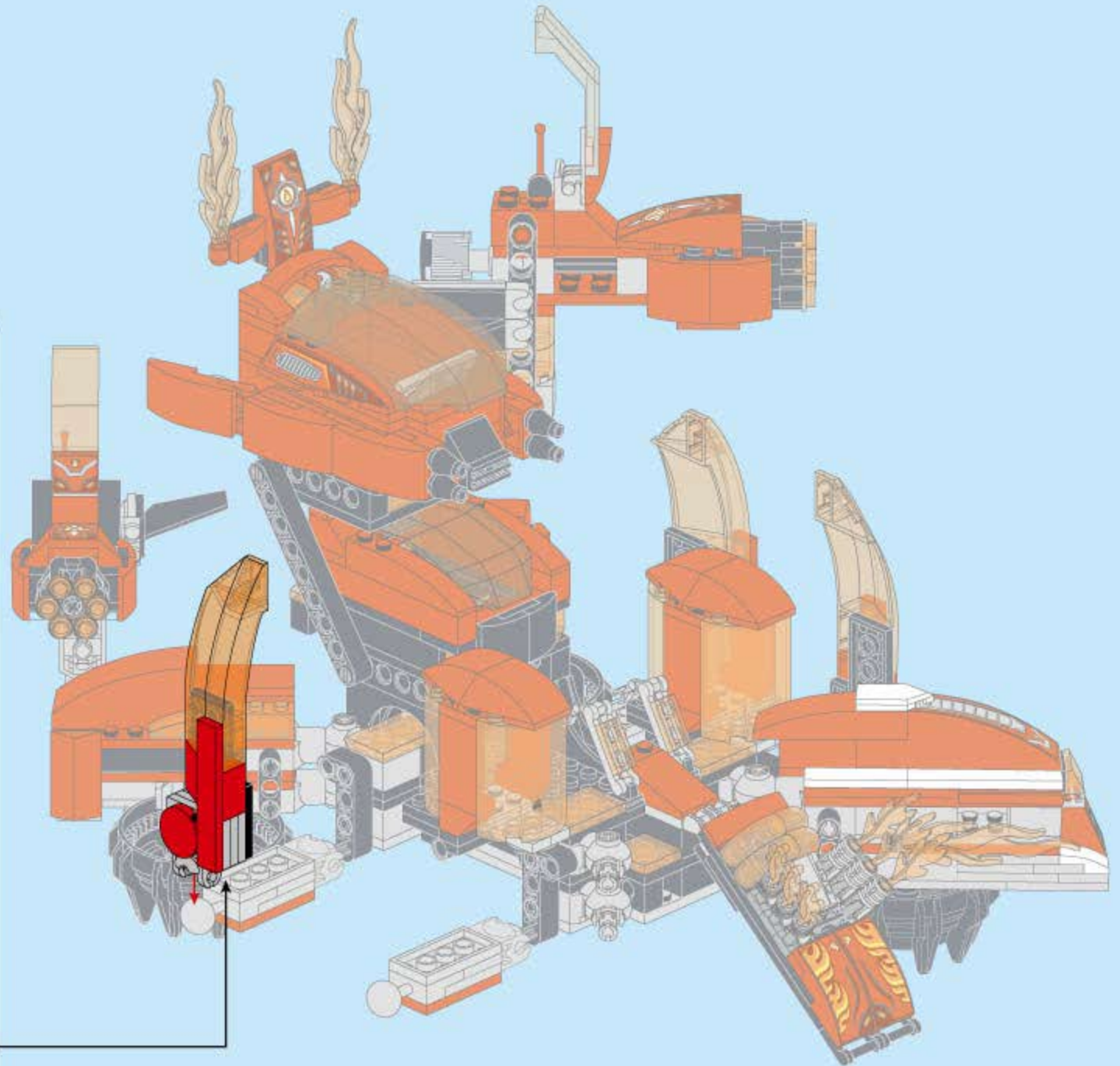
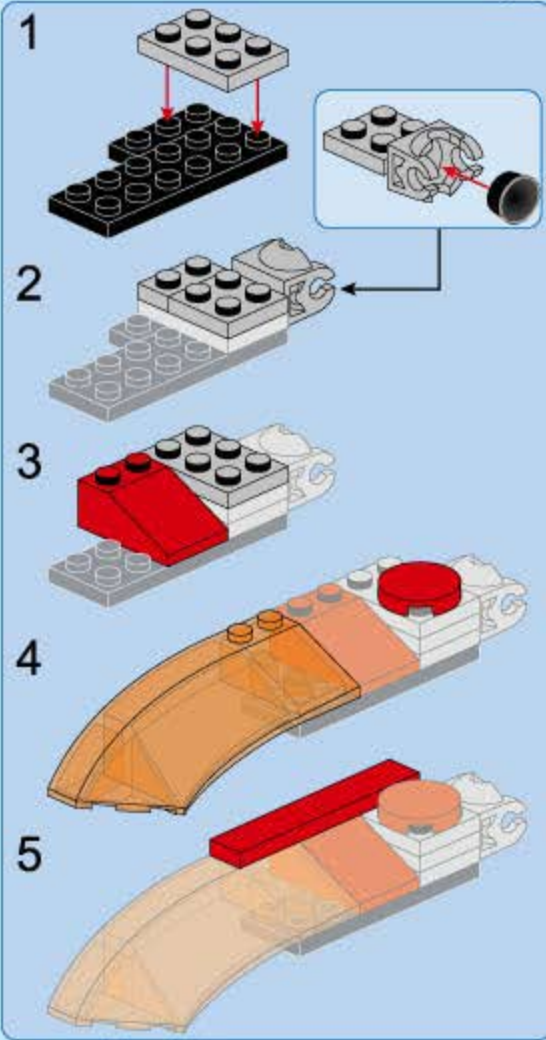
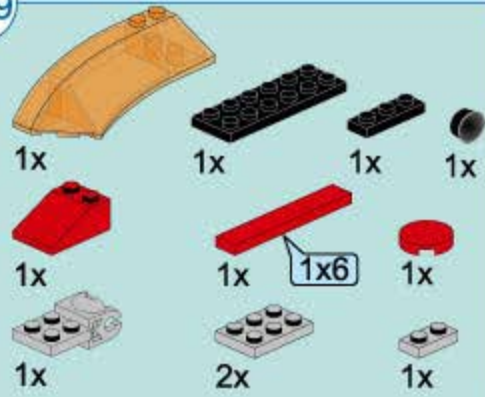




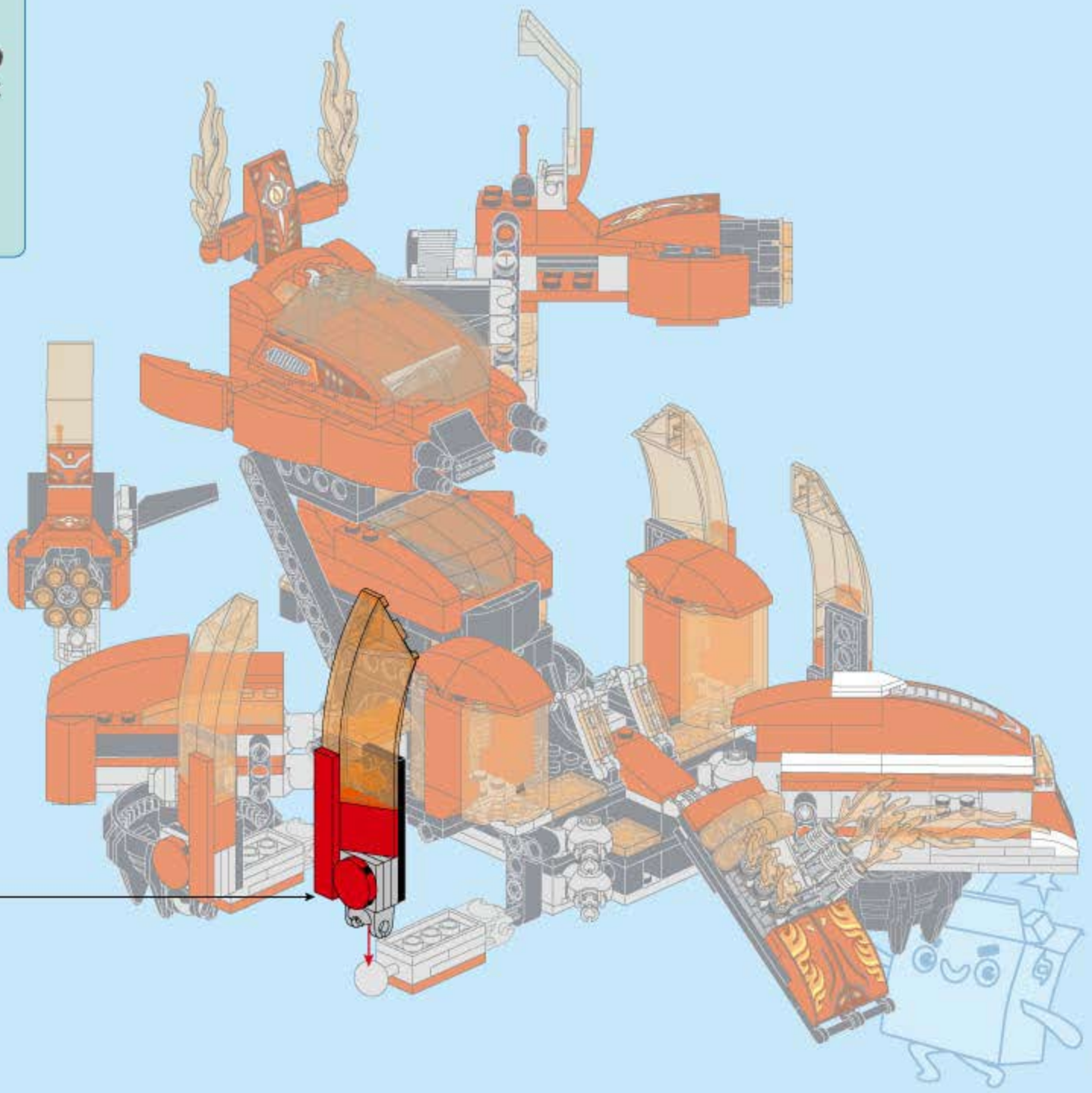
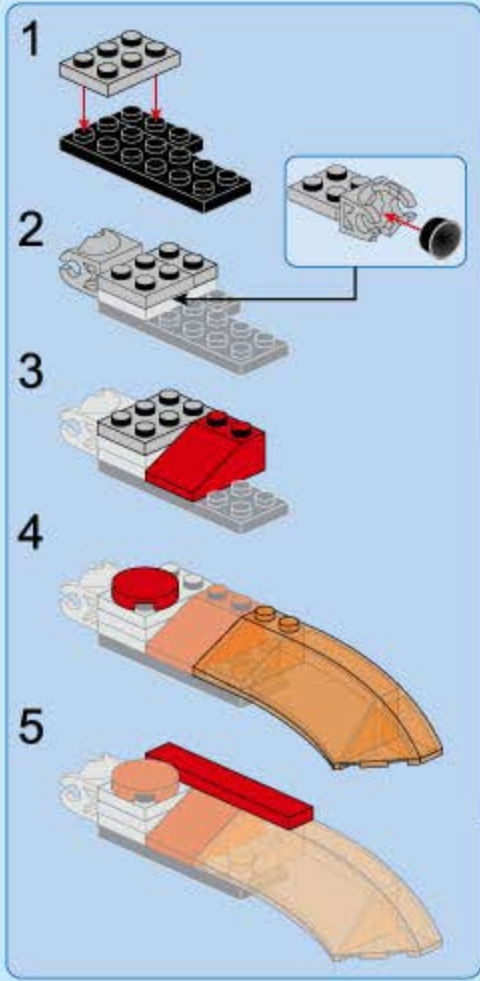
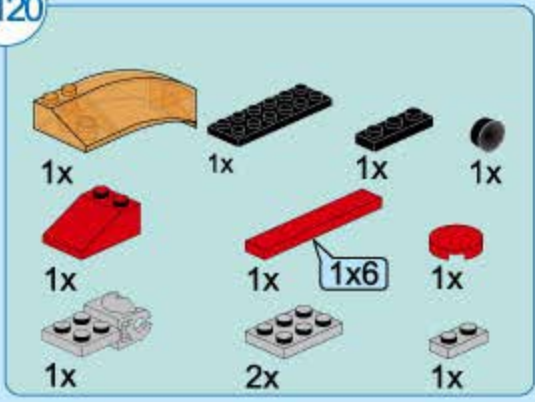
C117



C119

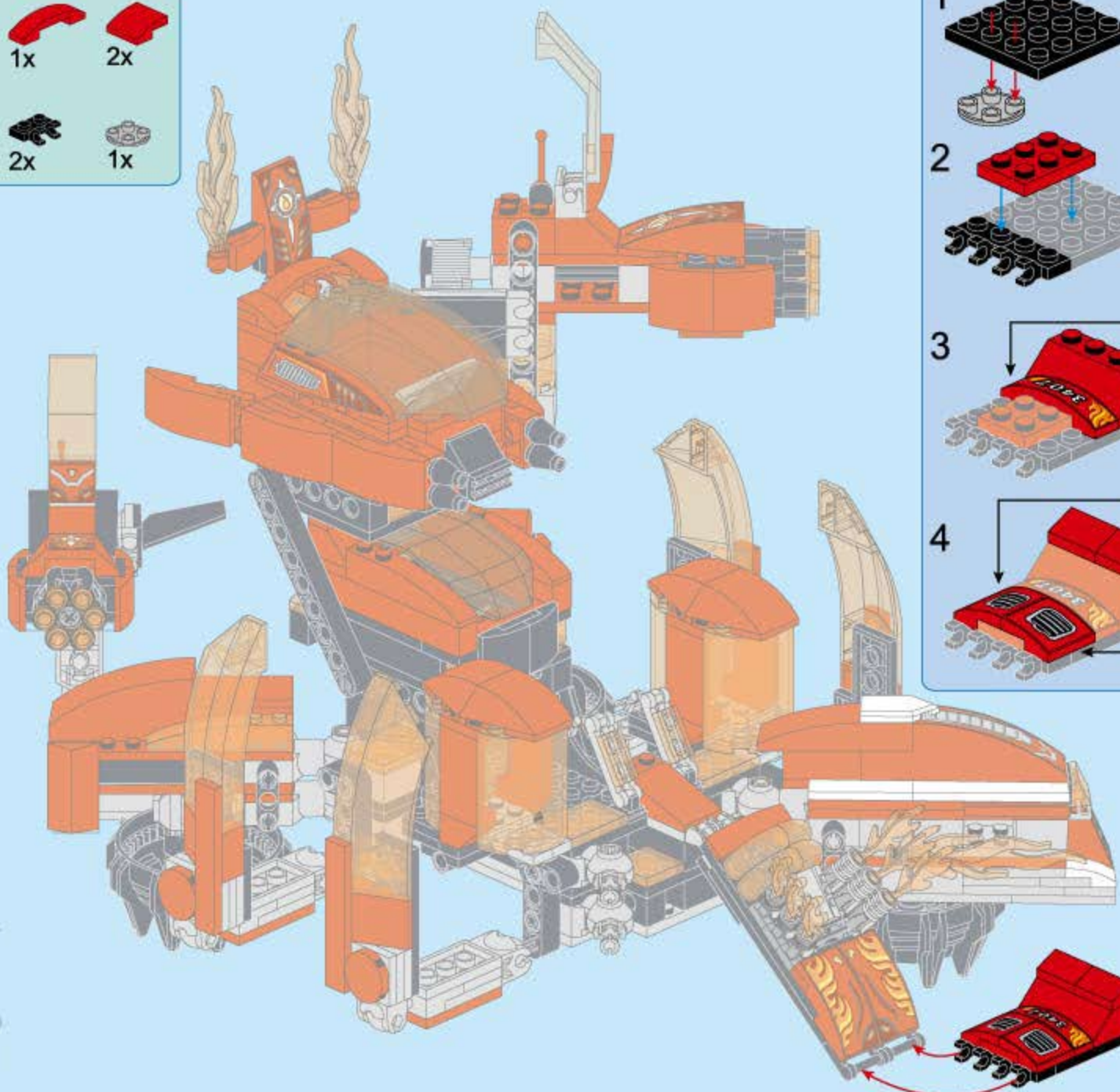


C120



C121

- 1x [Red 1x4 Technic Brick]
- 1x [Red 1x2 Technic Brick]
- 1x [Red Curved Technic Piece]
- 2x [Red 1x2 Technic Brick]
- 2x [Red 1x2 Technic Brick]
- 1x [Black 1x4 Technic Plate]
- 2x [Black Technic Pin]
- 1x [Black Technic Pin]



1 [Black 1x4 Technic Plate]

2 [Red 1x2 Technic Brick]

3 [Red 1x4 Technic Brick]

4 [Red 1x4 Technic Brick]

[8] [Red Curved Technic Piece]

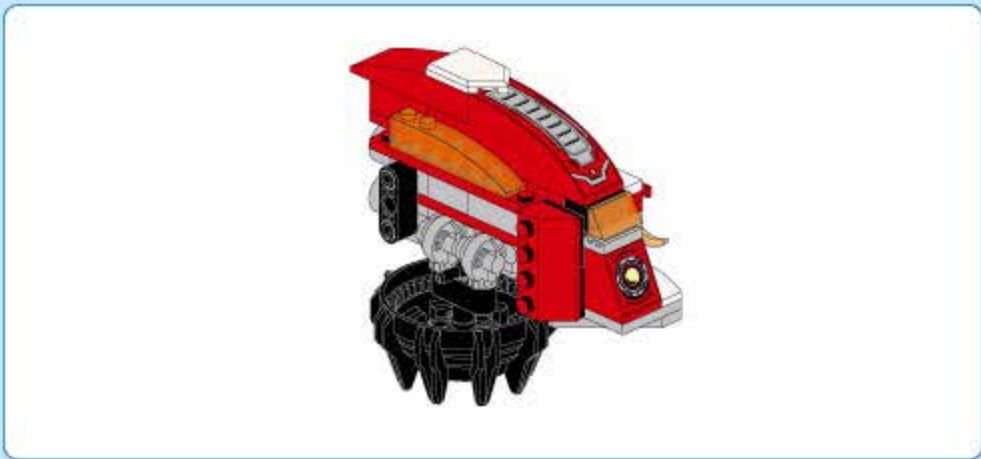
[7] [Red 1x2 Technic Brick]

[7] [Red 1x2 Technic Brick]

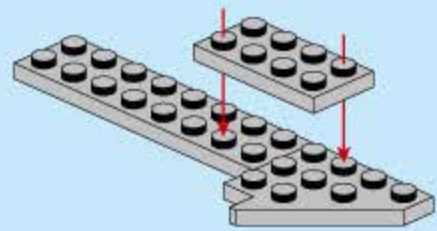
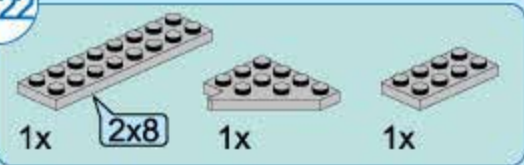
The step-by-step assembly instructions for the red sub-assembly are as follows:

- Step 1: A black 1x4 Technic plate is shown with two red arrows pointing to the holes where the black Technic pins will be inserted.
- Step 2: A red 1x2 Technic brick is placed on top of the black plate, covering the first two holes.
- Step 3: A red 1x4 Technic brick is placed on top of the black plate, covering all four holes. A red curved Technic piece is placed on top of the red 1x4 Technic brick, covering the first two holes.
- Step 4: A red 1x2 Technic brick is placed on top of the red 1x4 Technic brick, covering the last two holes. A red 1x2 Technic brick is placed on top of the red 1x4 Technic brick, covering the last two holes.

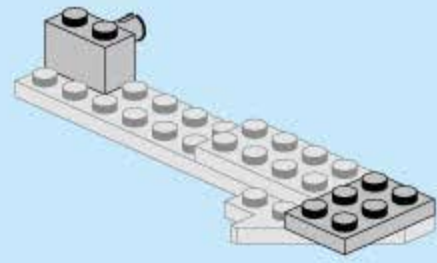




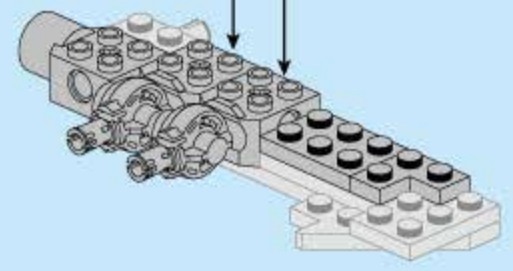
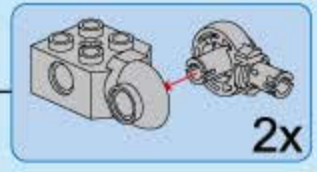
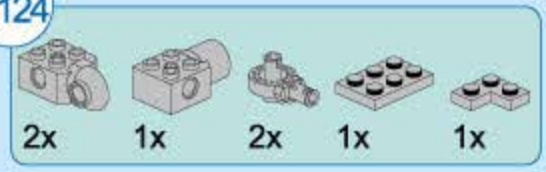
C122



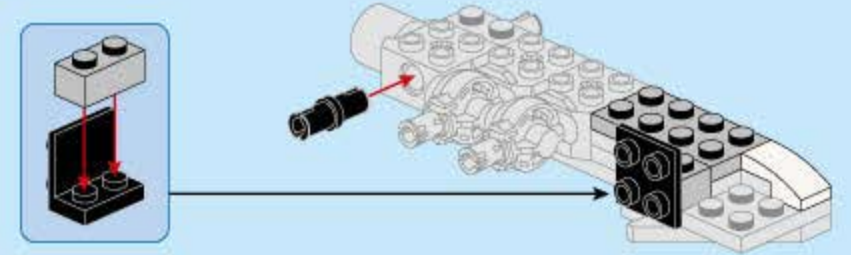
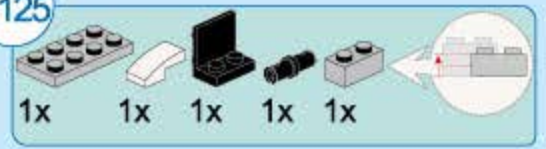
C123



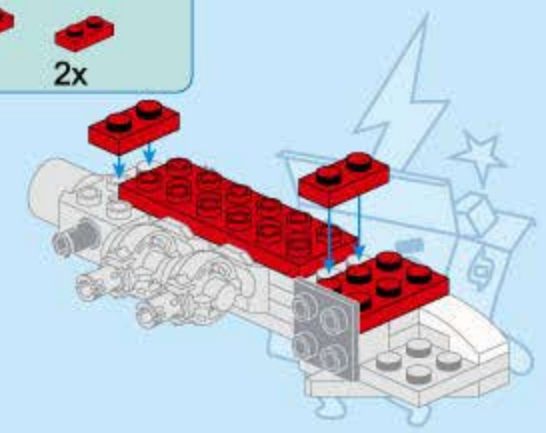
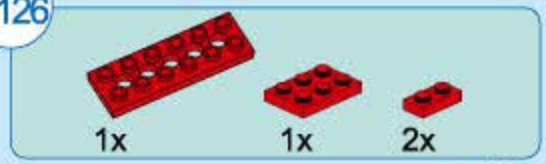
C124



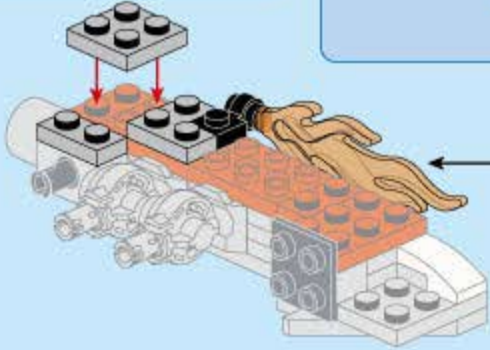
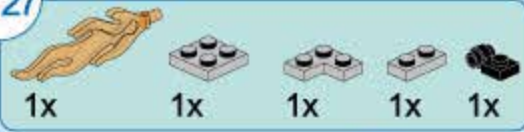
C125



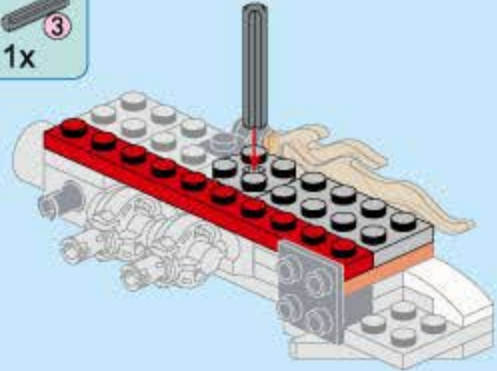
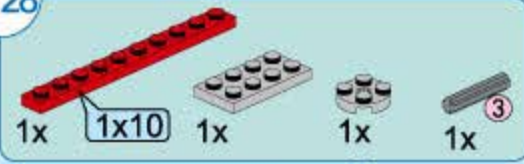
C126



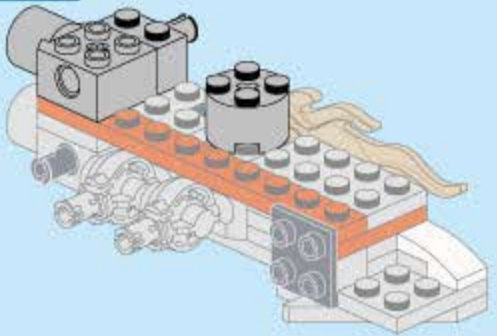
C127



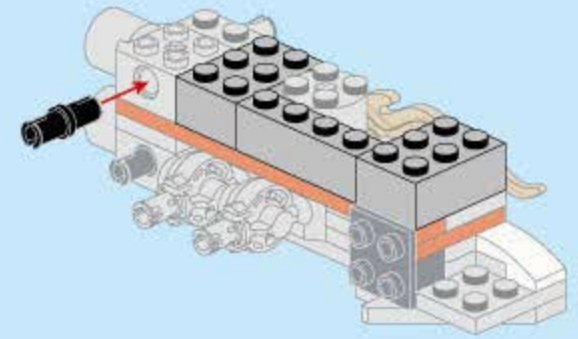
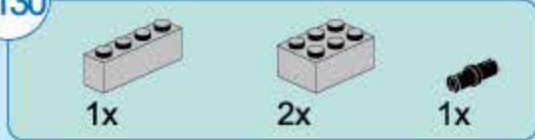
C128



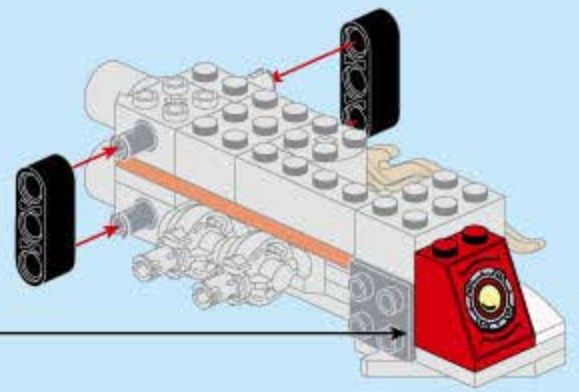
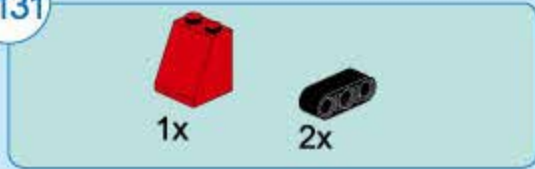
C129



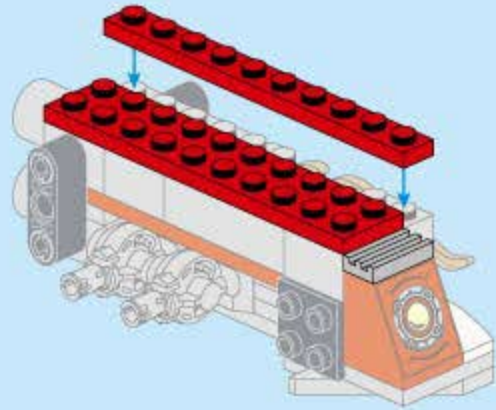
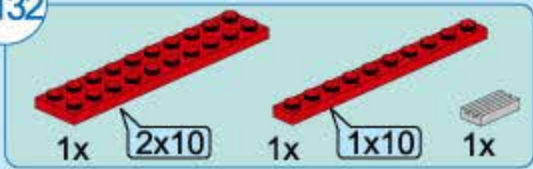
C130



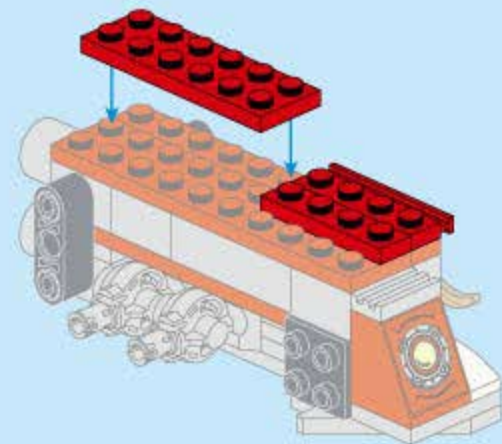
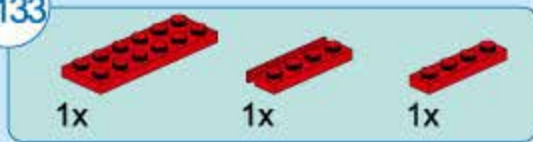
C131



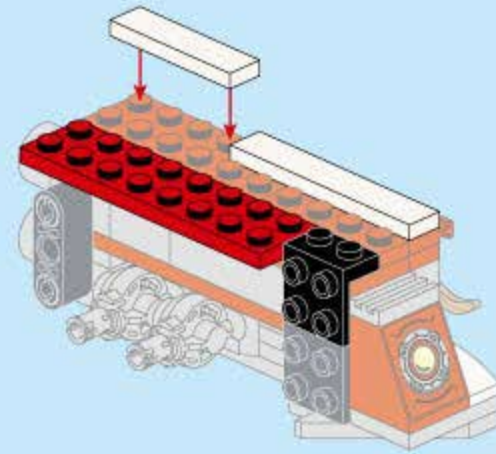
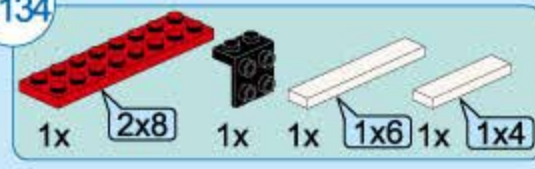
C132



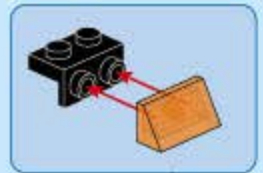
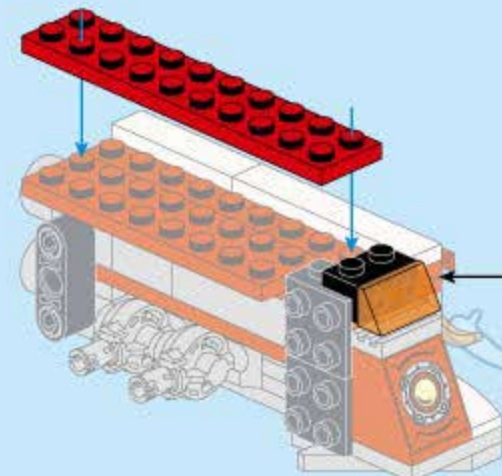
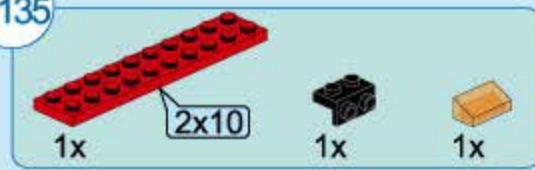
C133



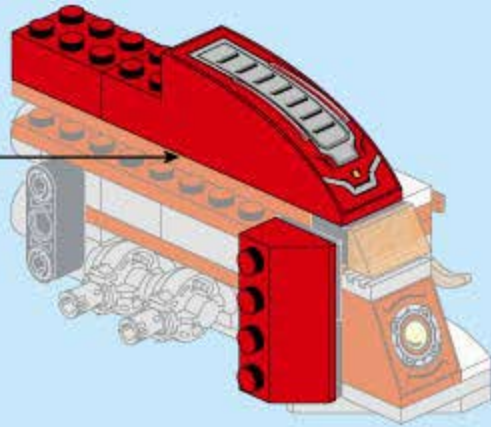
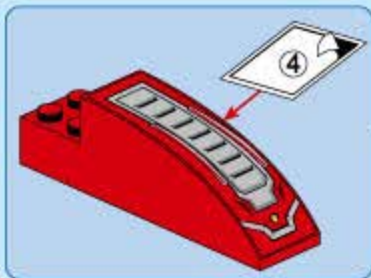
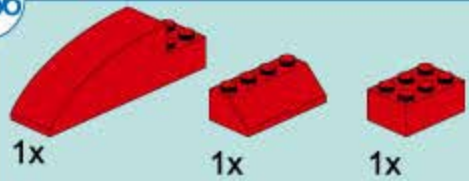
C134



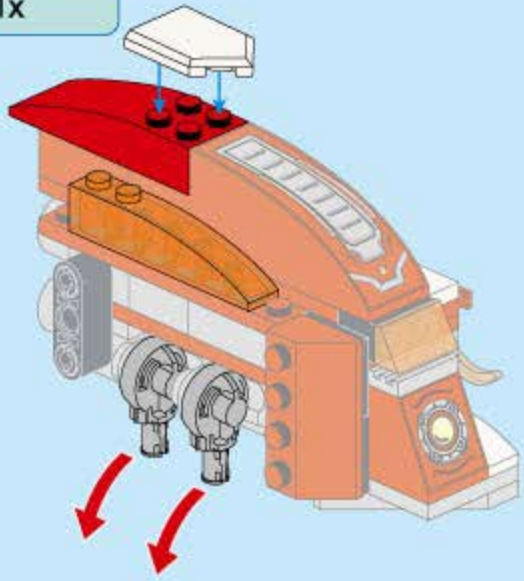
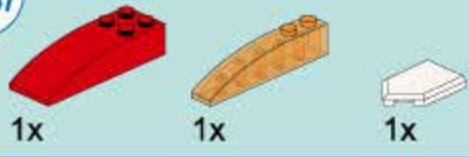
C135



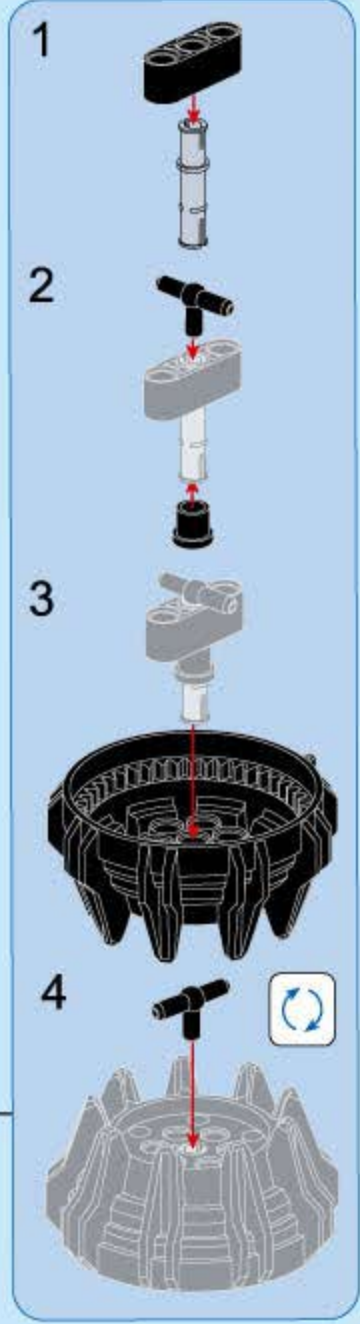
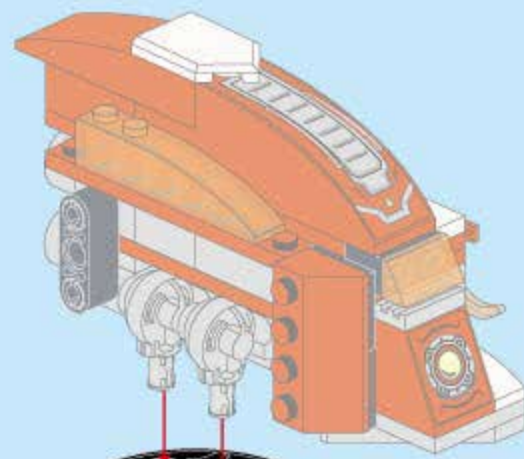
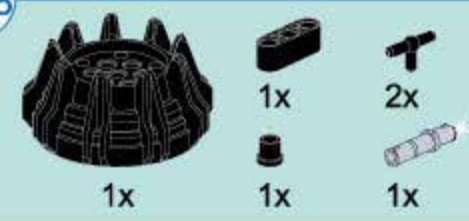
C136



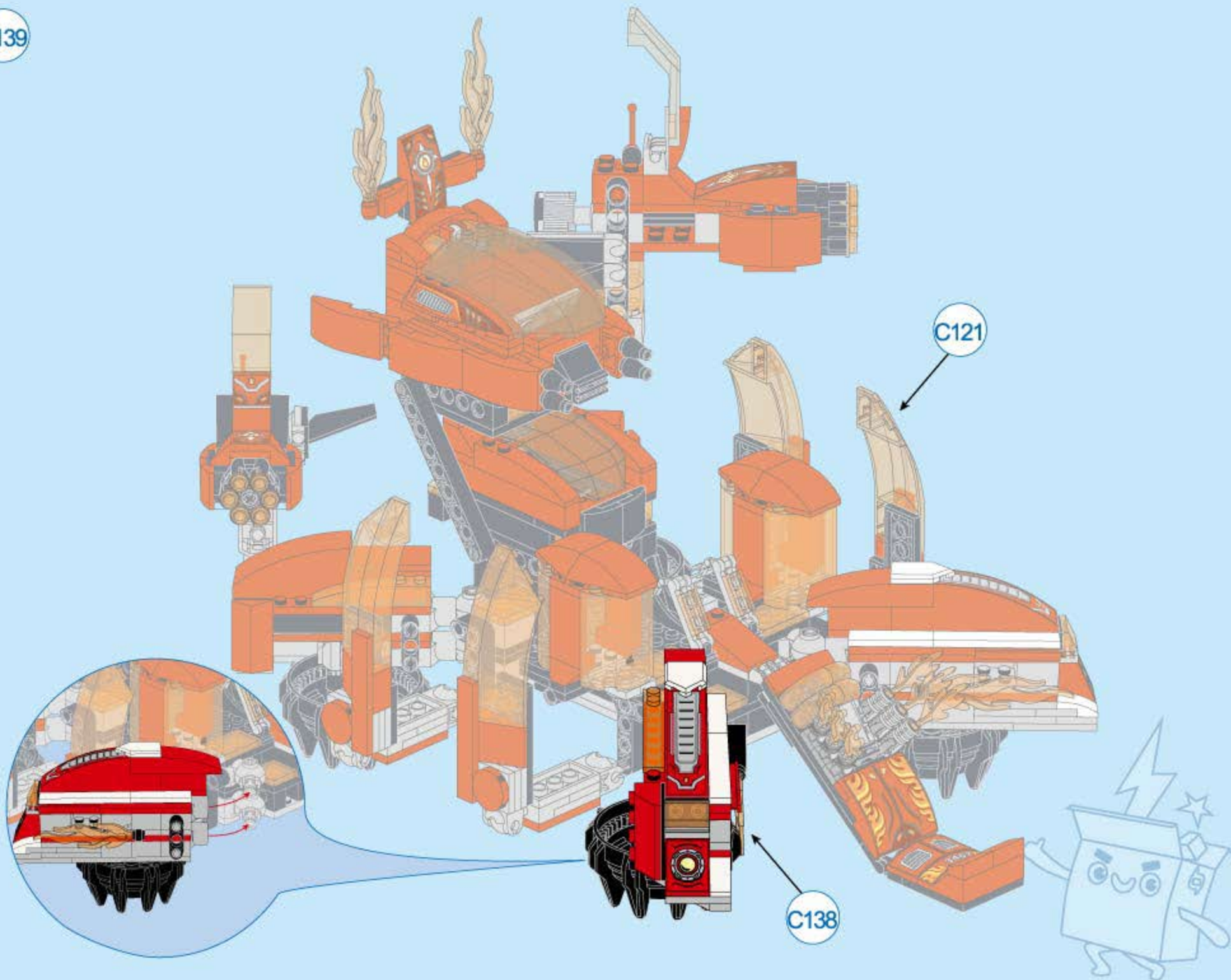
C137

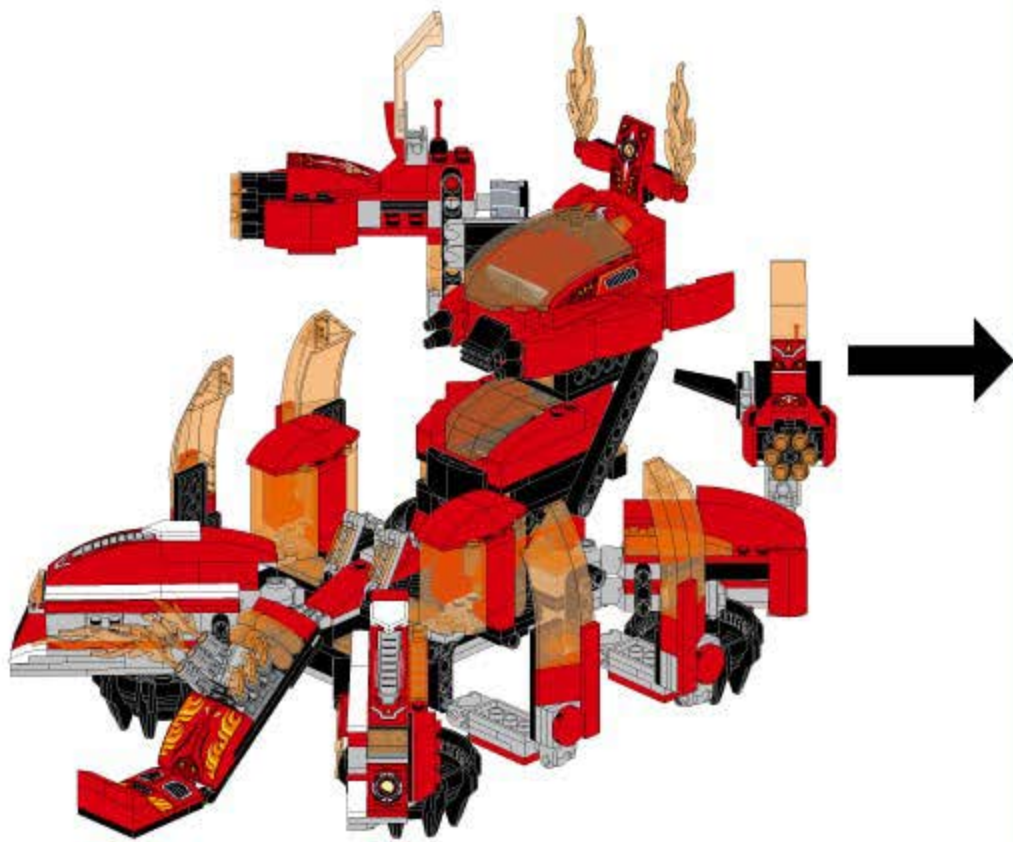


C138

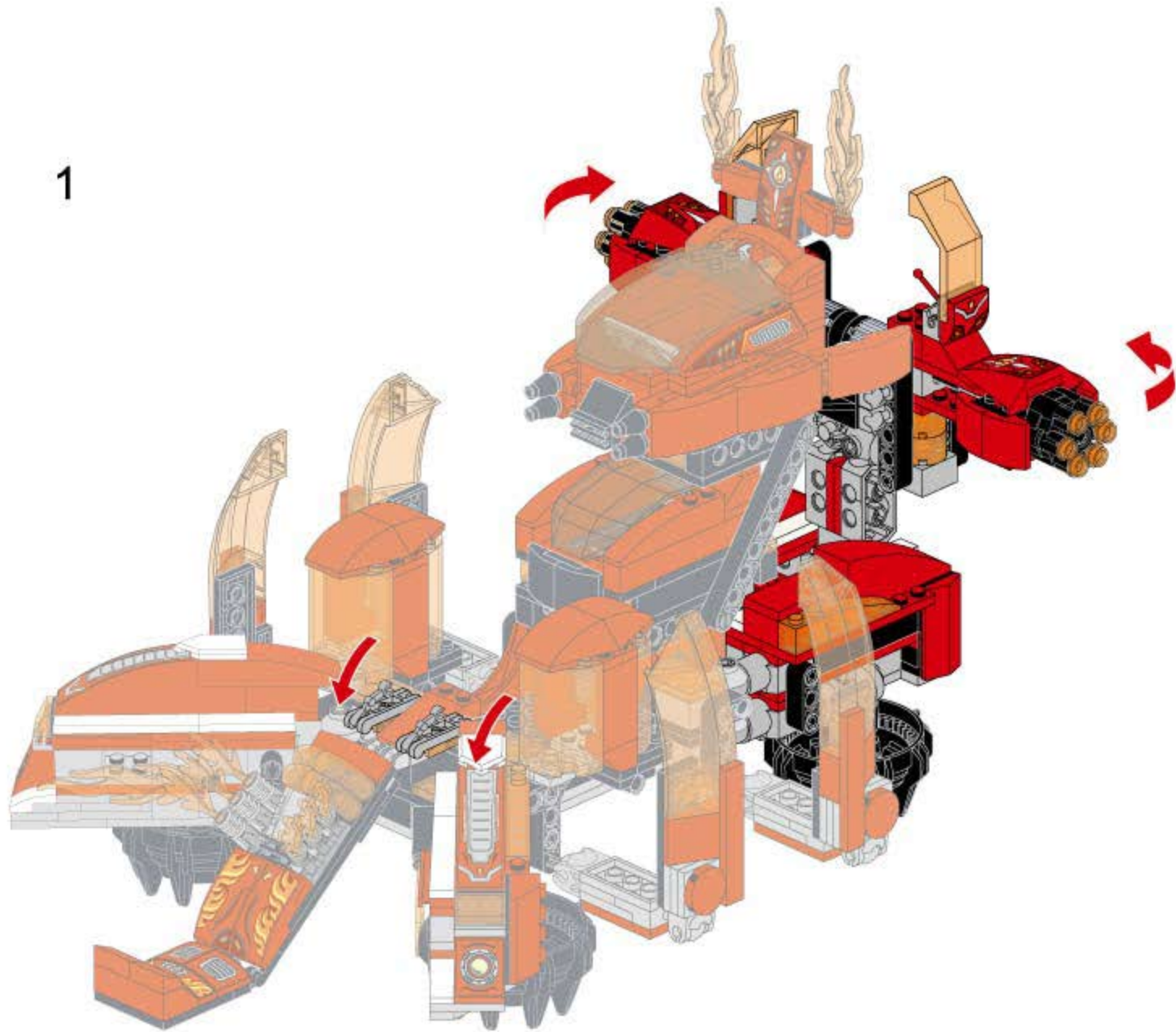


C139

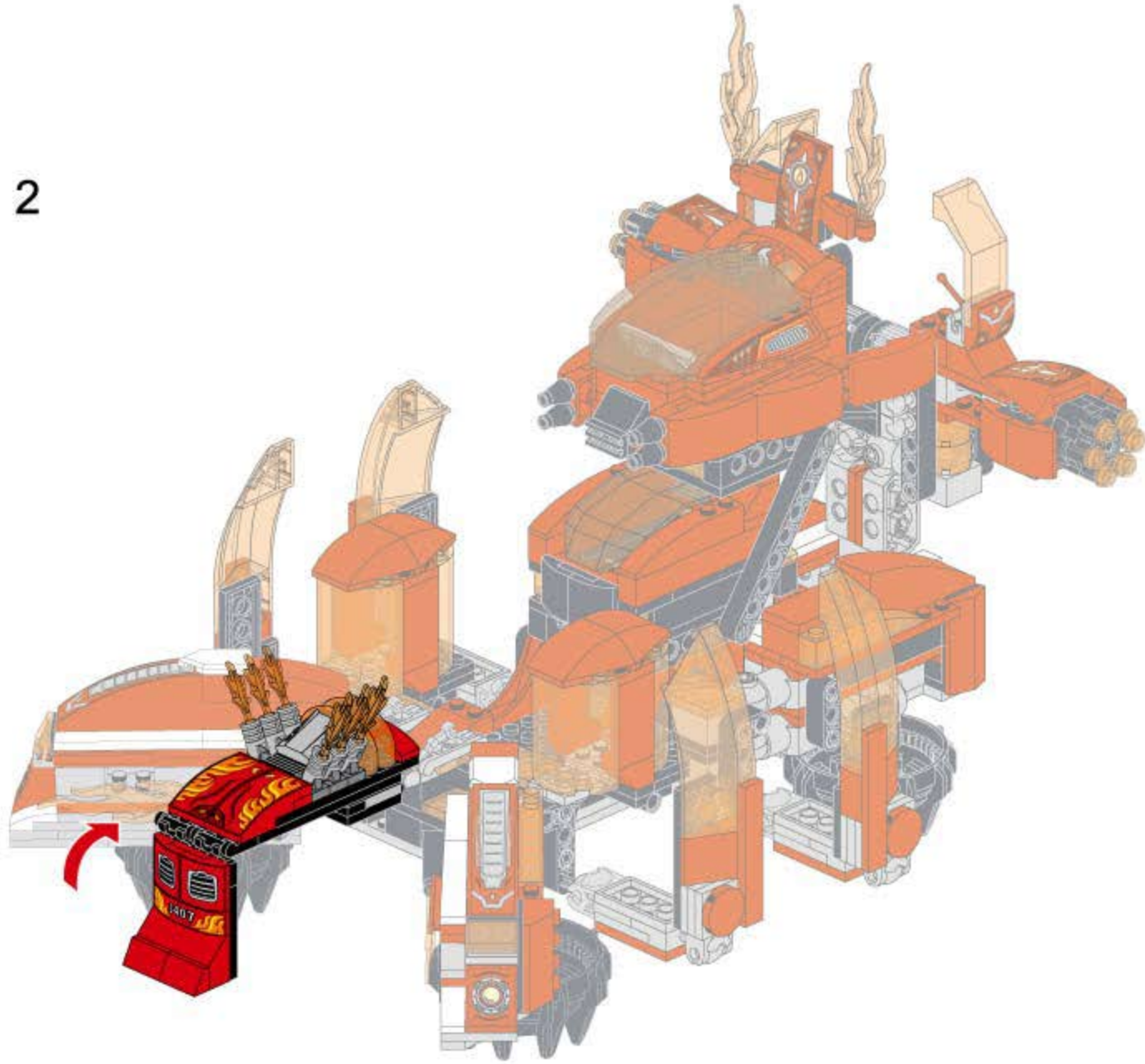




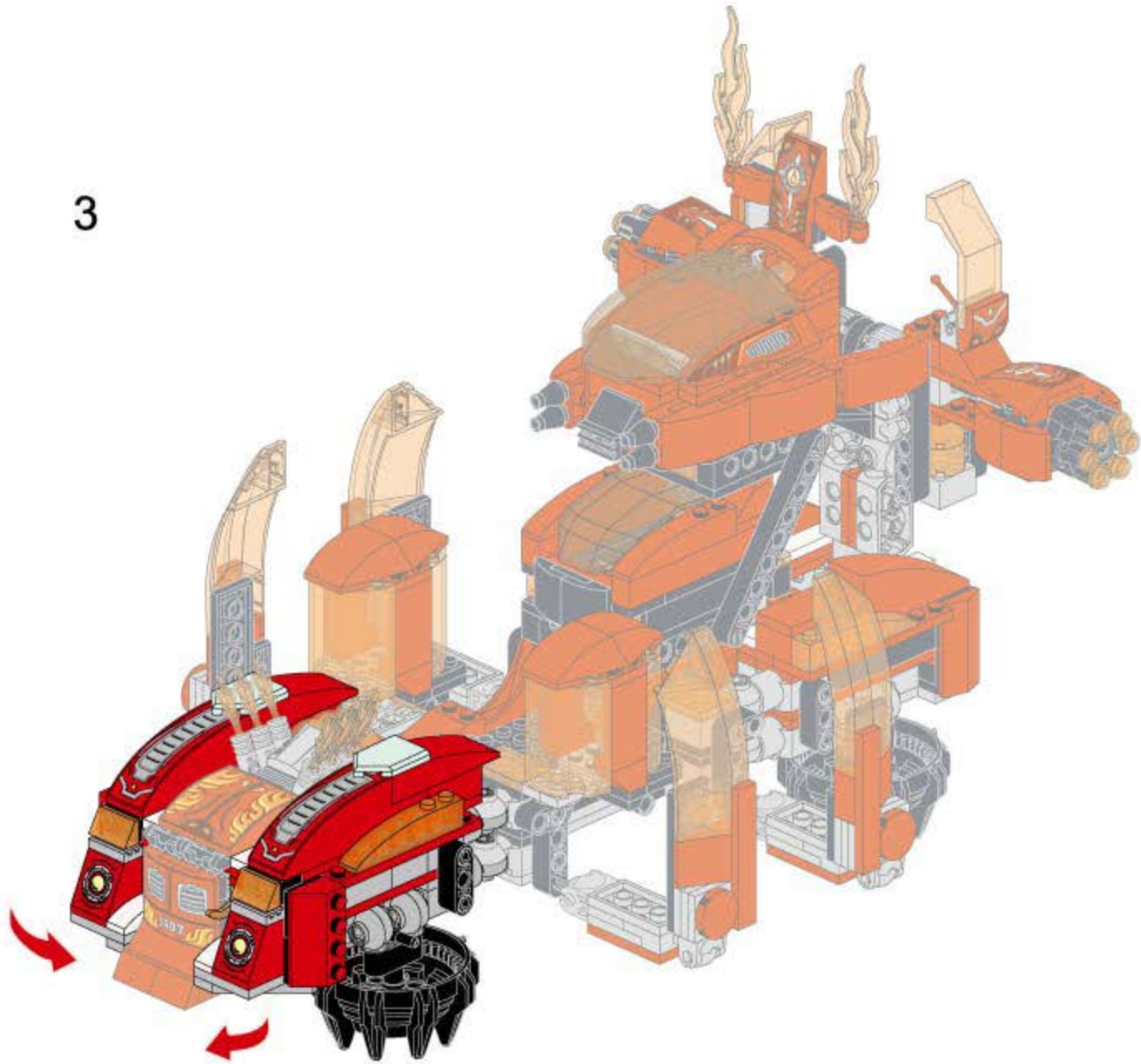
1



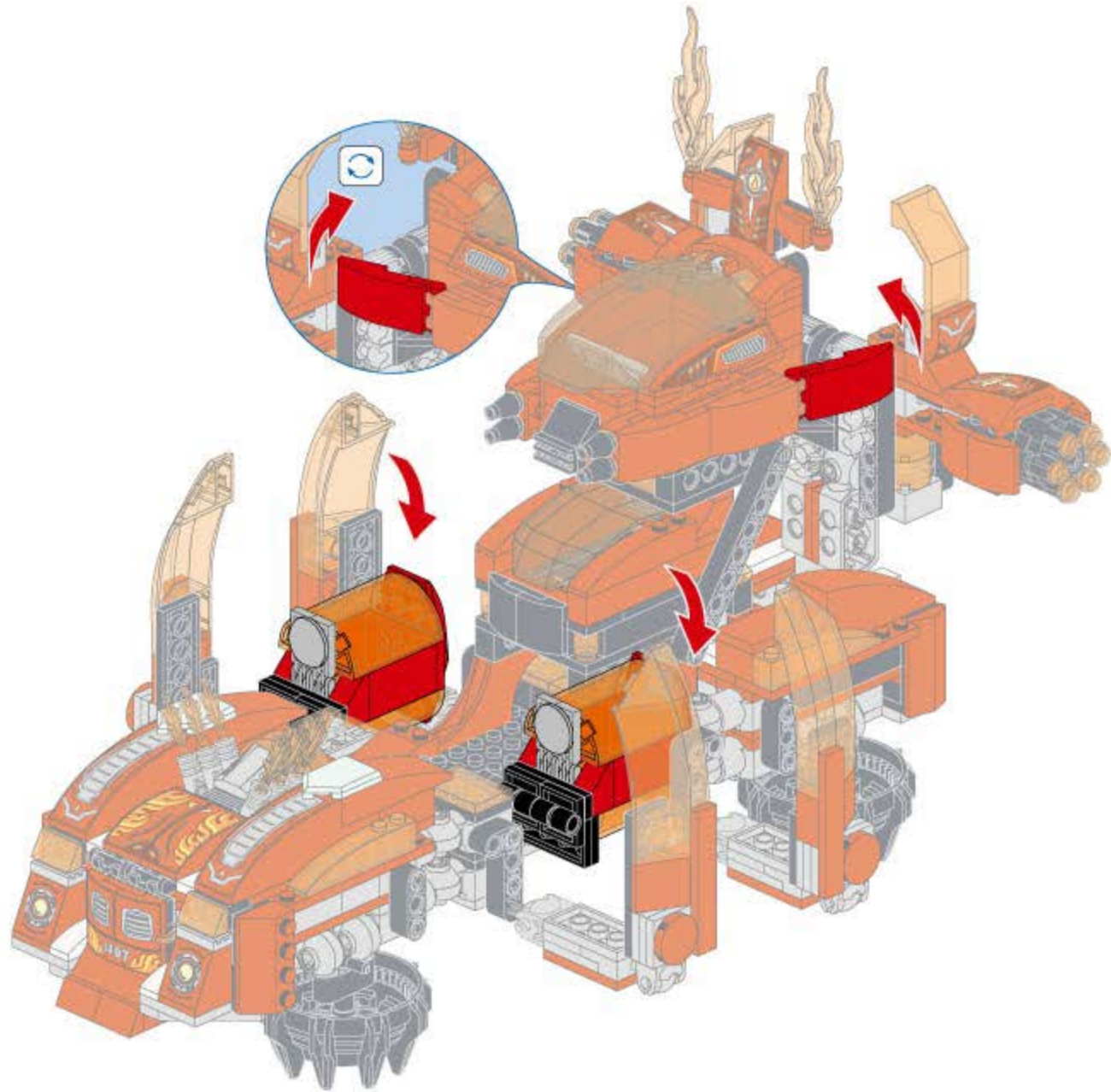
2



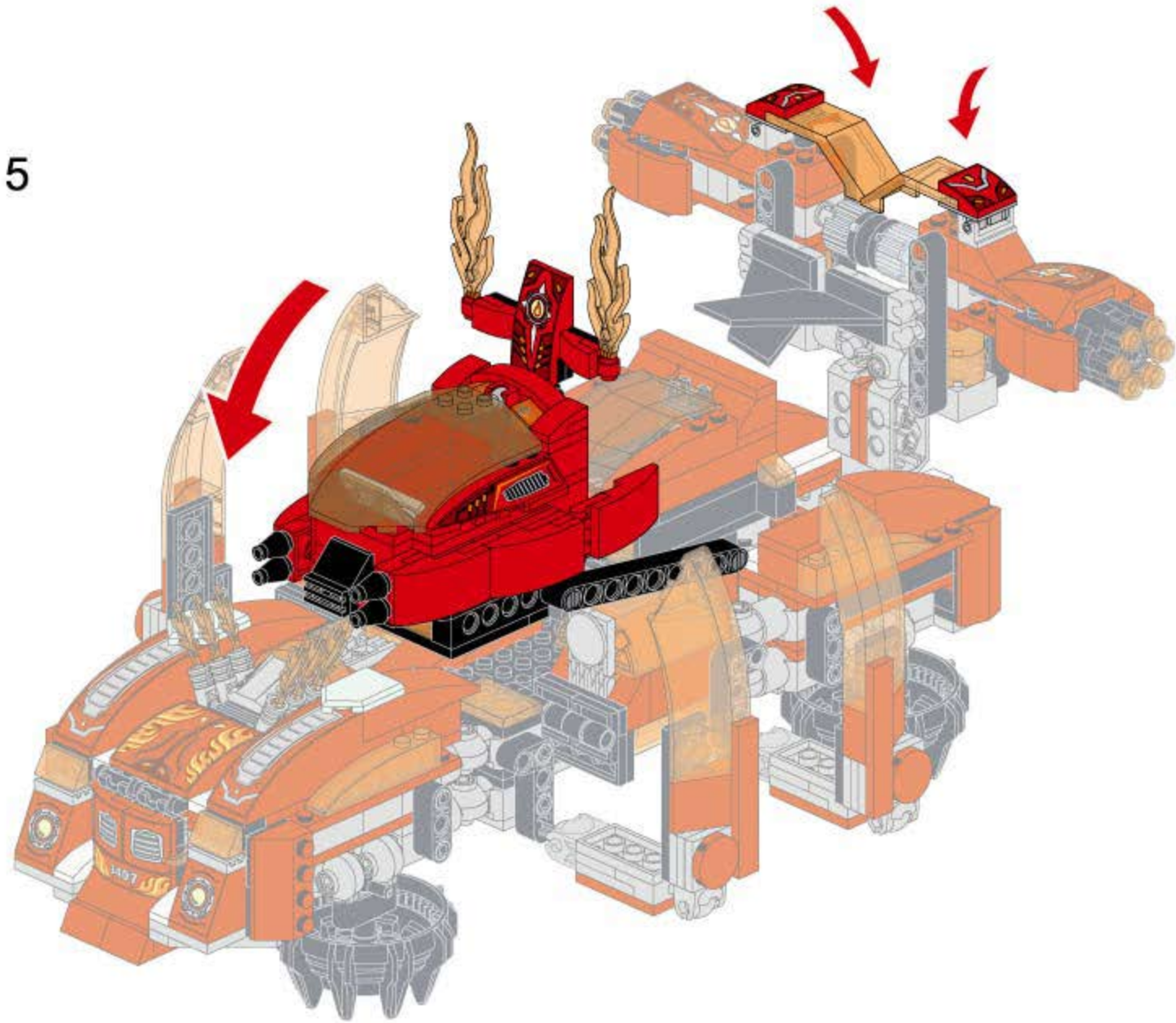
3



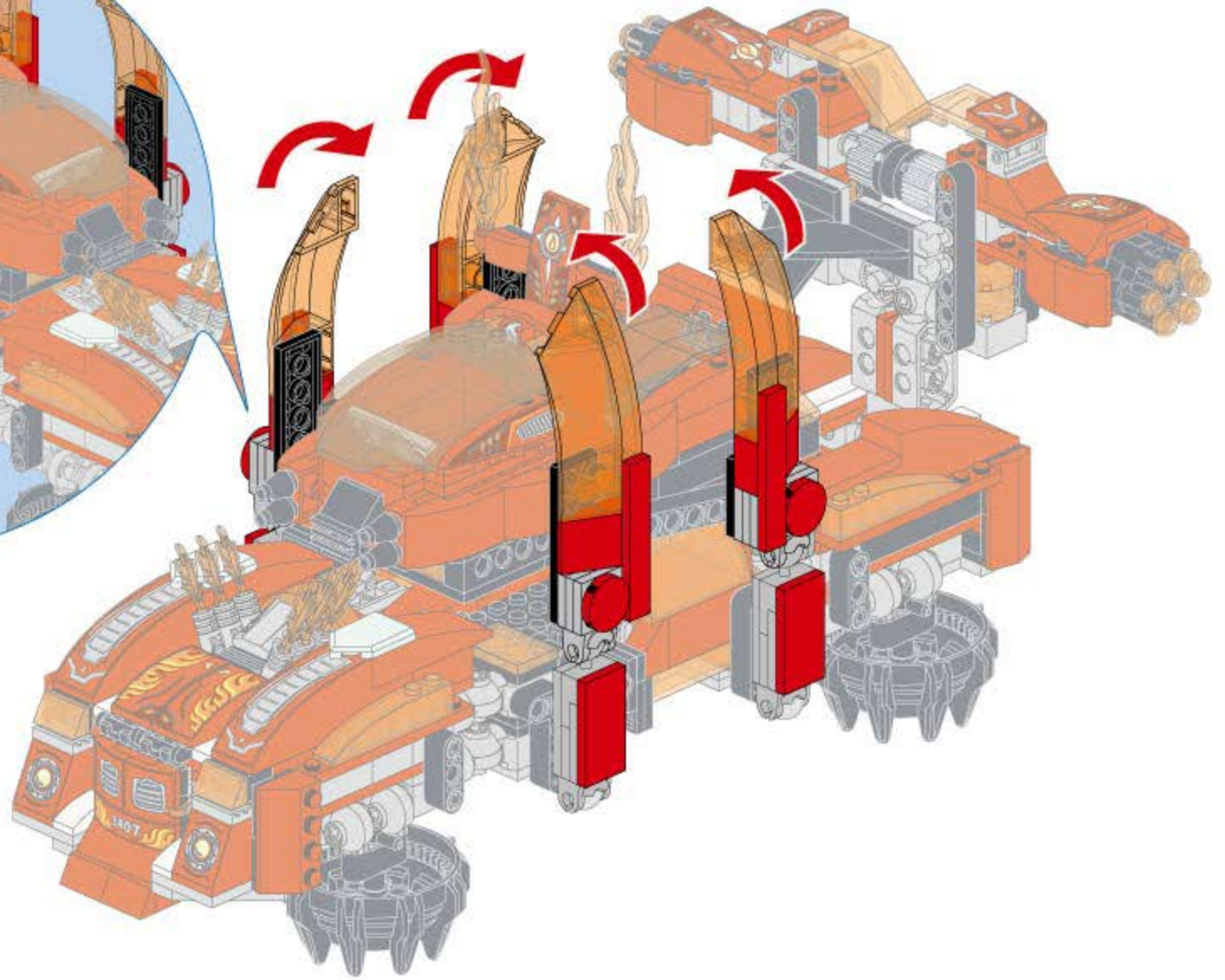
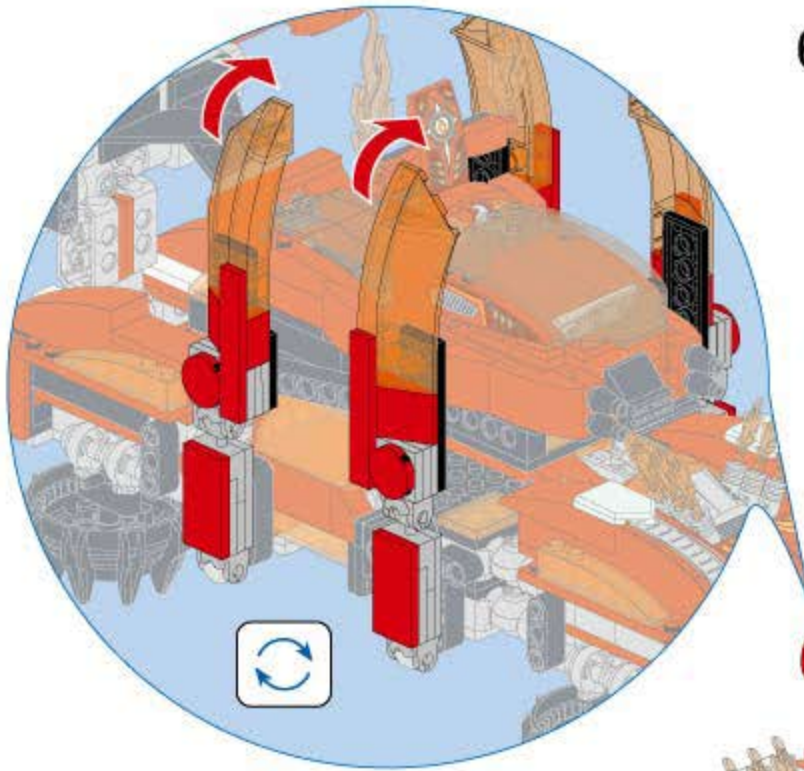
4



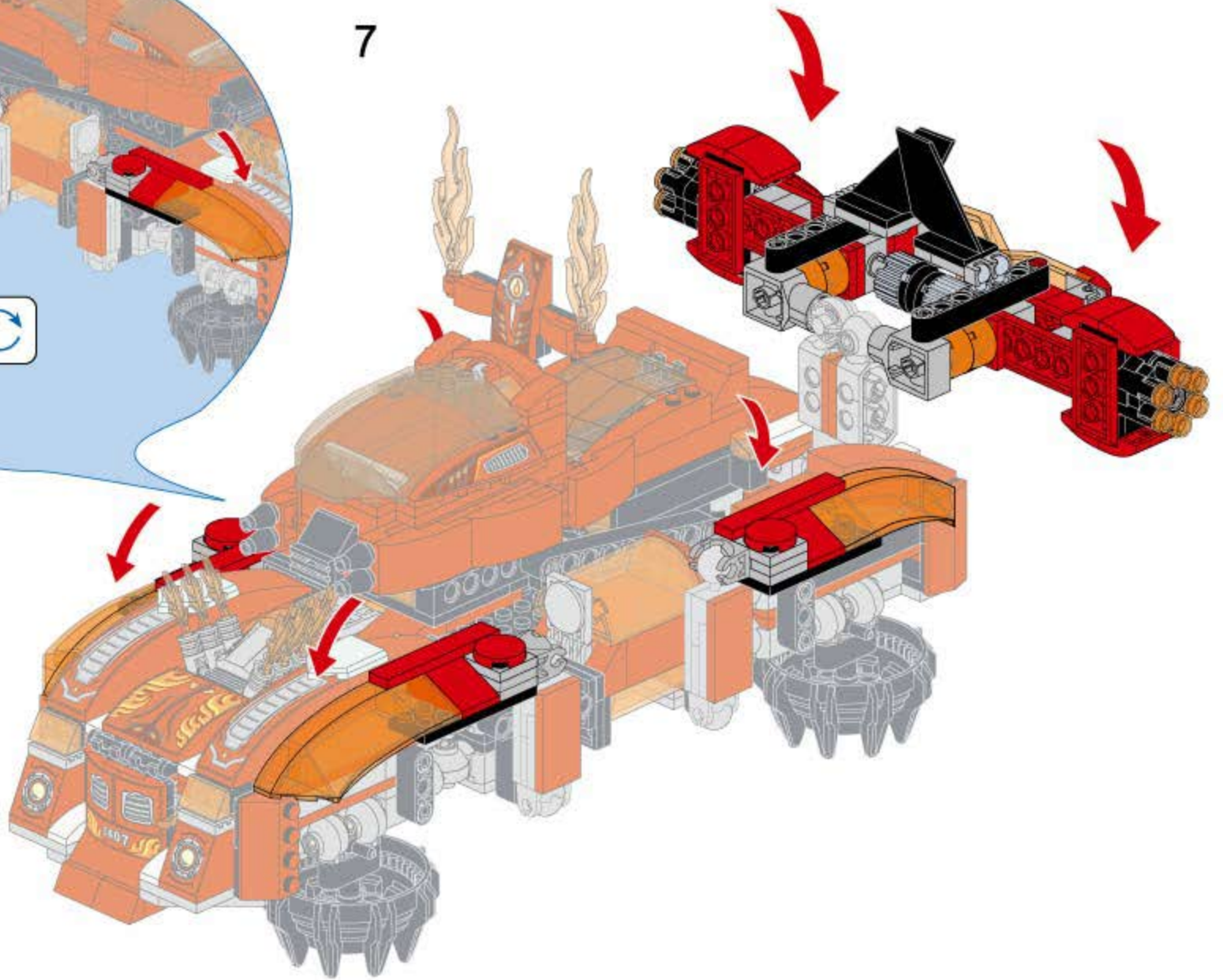
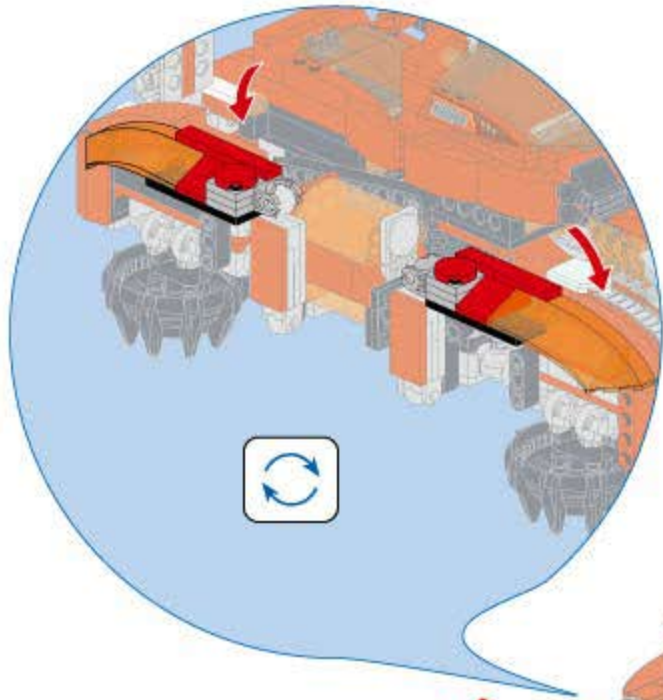
5



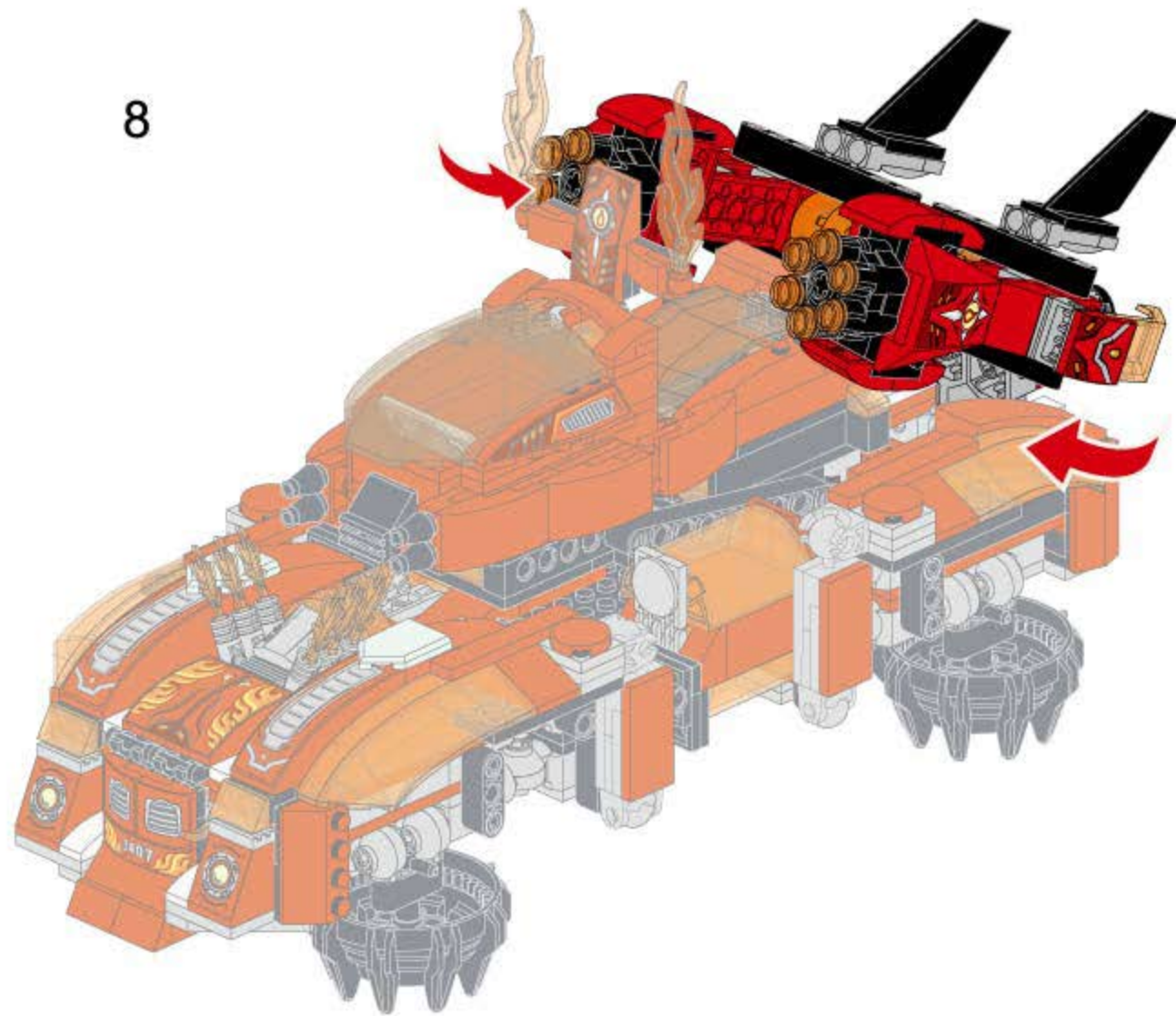
6



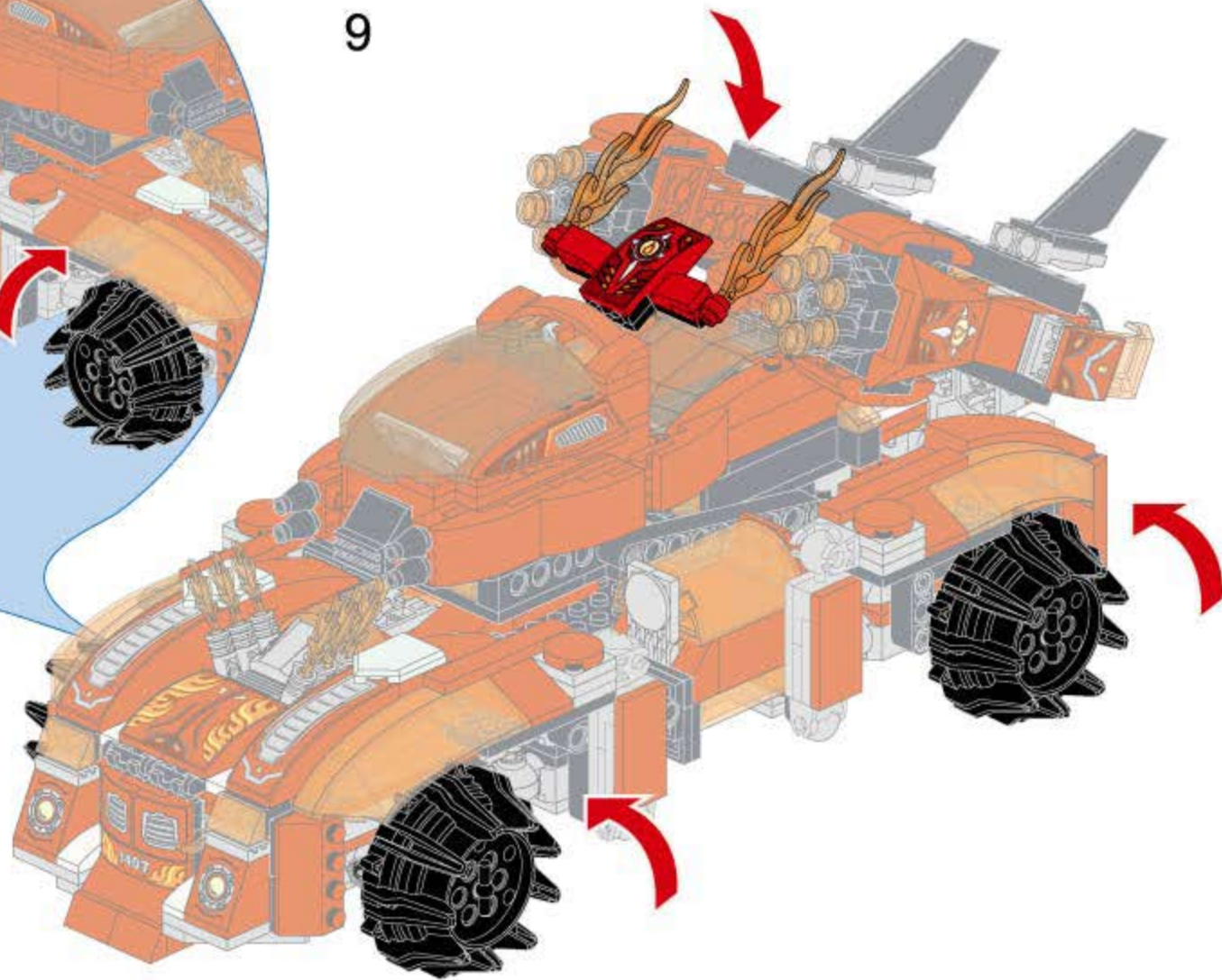
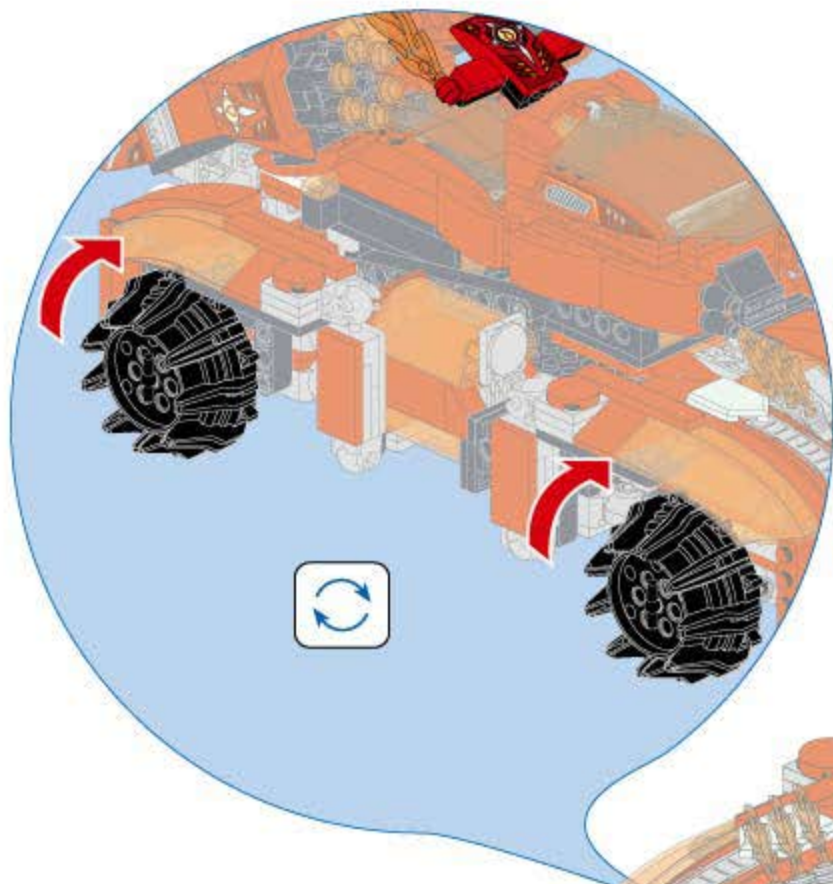
7



8



9





3407



3401-1
Darkness Laser Cannon



3401-2
Big Hammer Mecha



3401-3
Fire Red Motorcycle



3401-4
Ice Blue Combat Car



3402
Dark Shadow Roadster



3403
Howling Gale Jet



3404
Solid Rock Combined Battle Car



3405
Ice Shield Armoured Car



3406
Death Dragon Truck



3407
Swirling Flame Battle Car