

Qman

3404

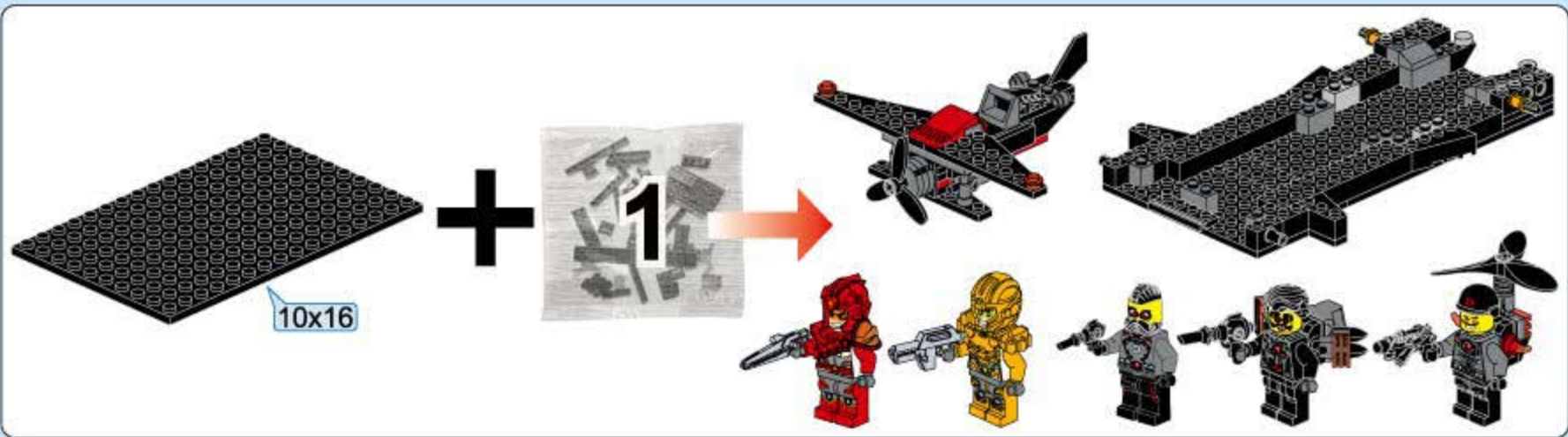
Ages: 6+

Minifigs: X5

Pcs: 622

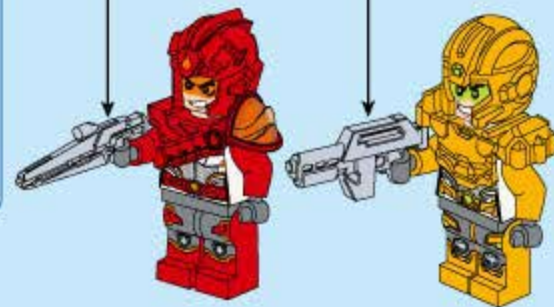
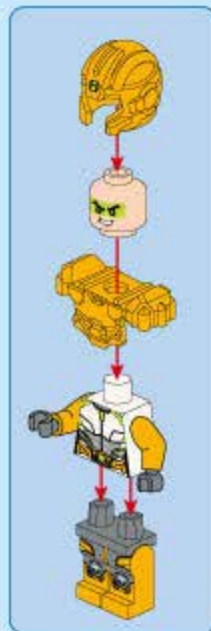
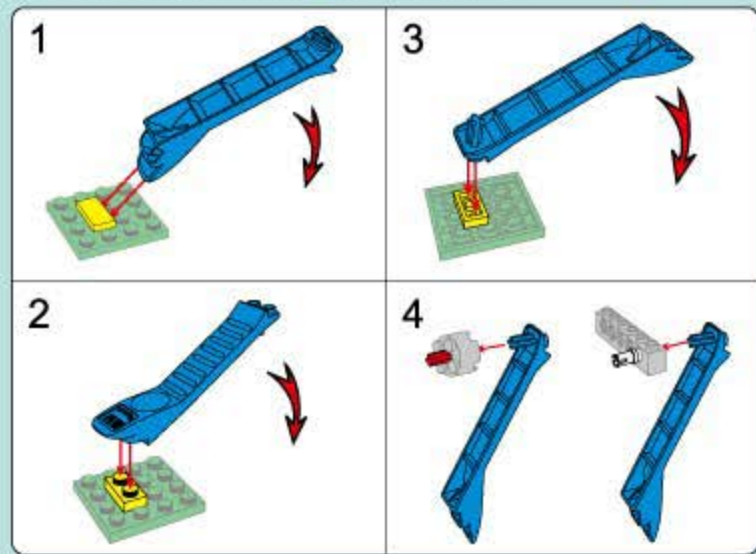


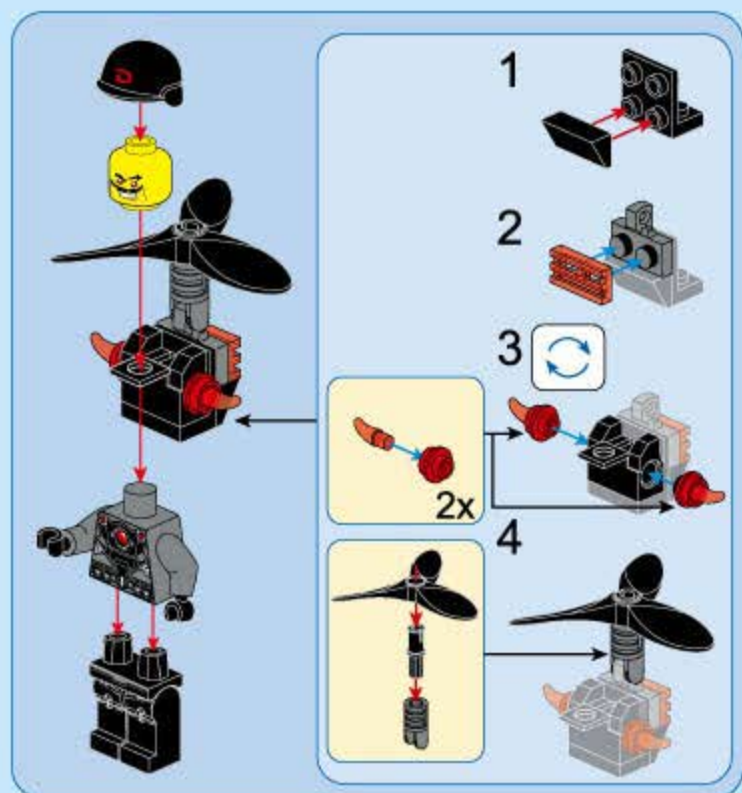
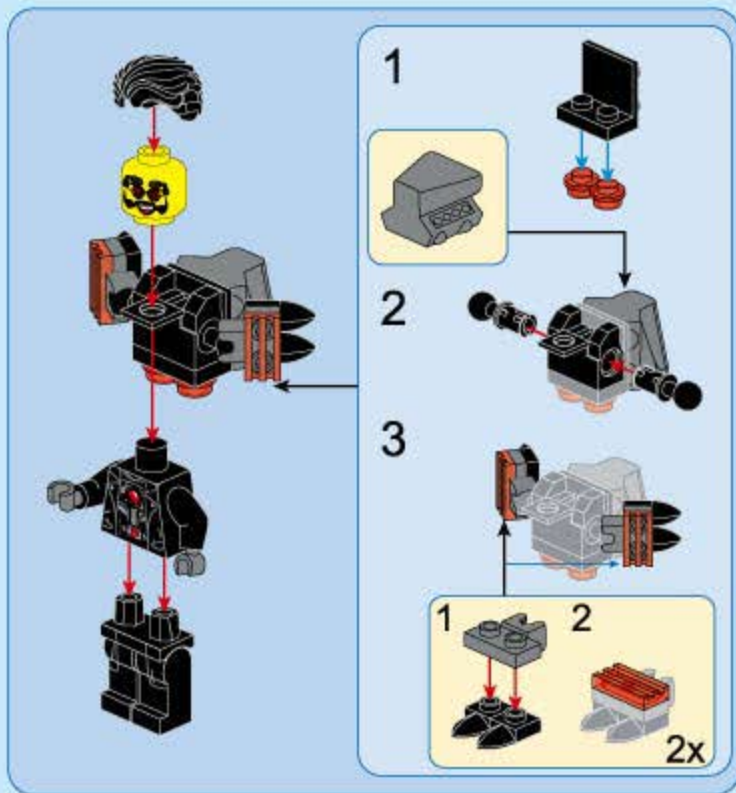
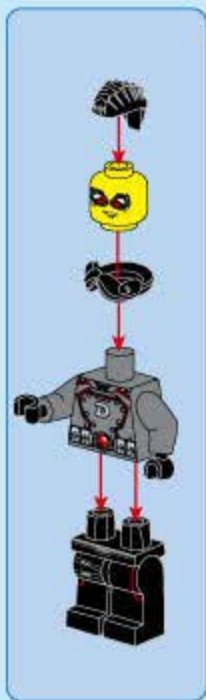
Solid Rock Combined Battle Car

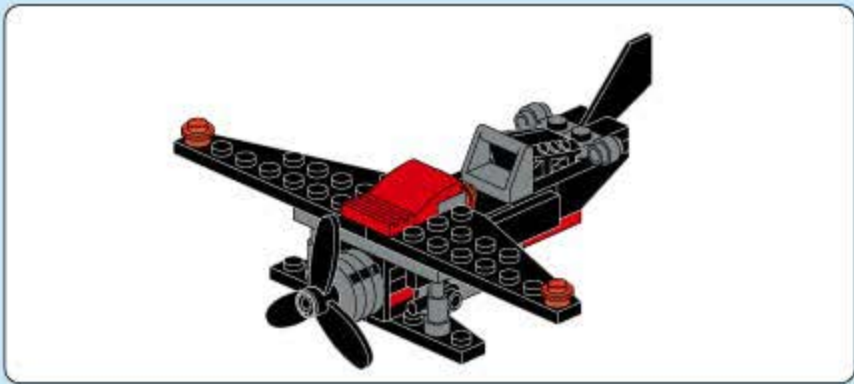


拆件器使用方法，仅为示例

Usage of Brick Separator, Just for the sample







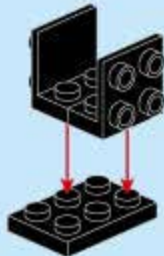
A1



1x



2x



A2



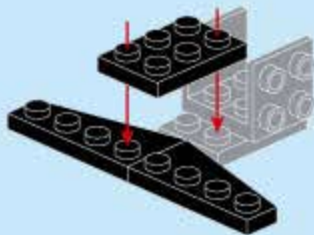
1x



1x



1x



A3

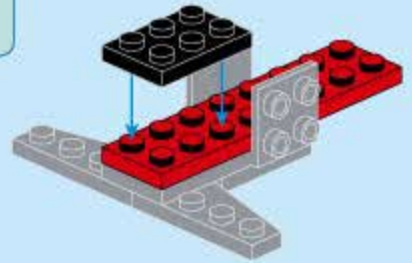


1x

2x8



1x



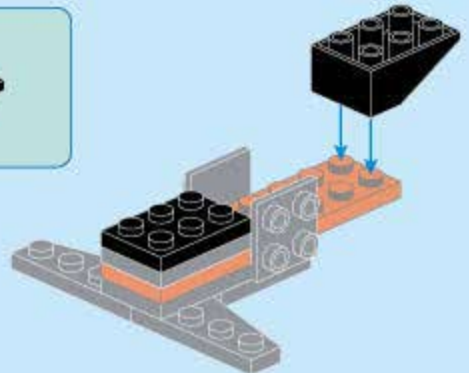
A4



1x



1x



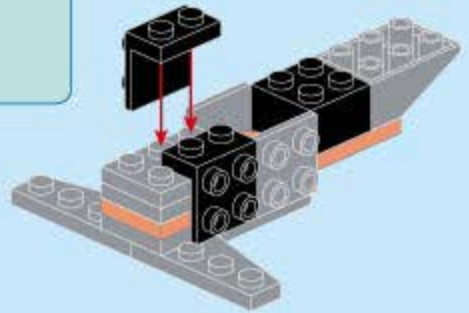
A5



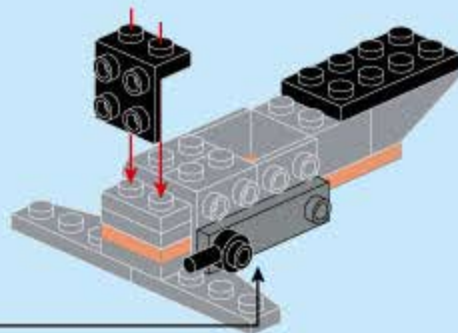
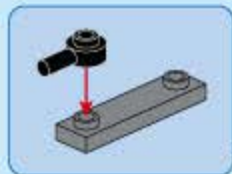
1x



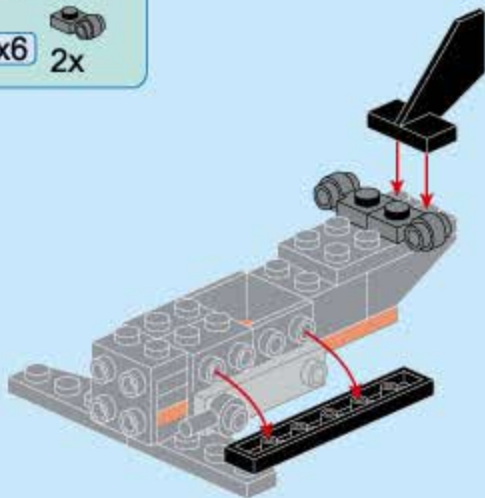
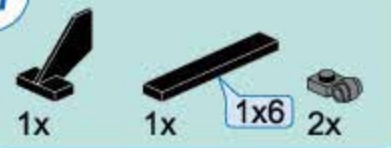
2x



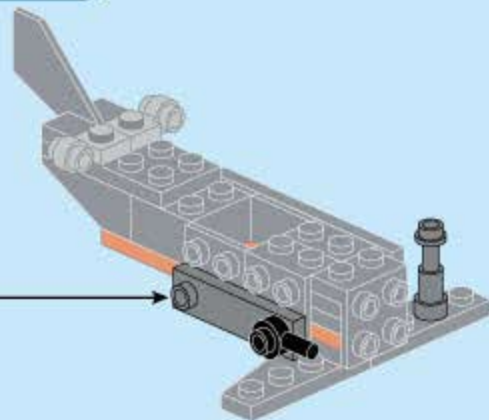
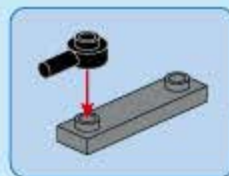
A6



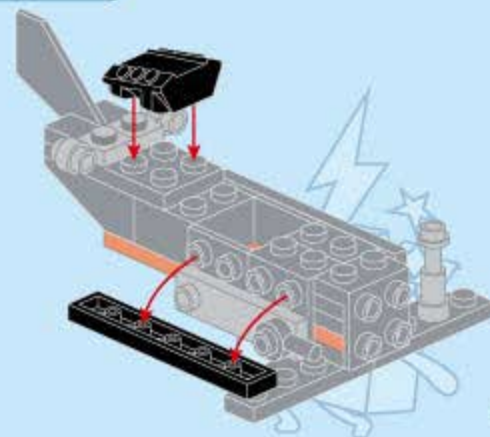
A7



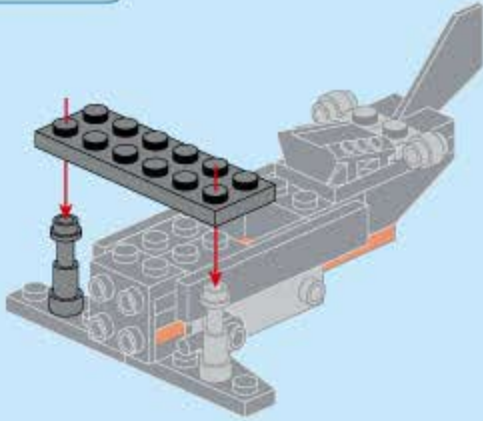
A8



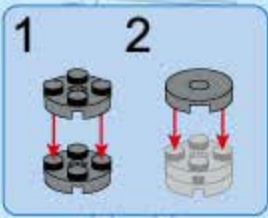
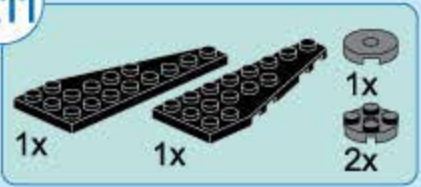
A9



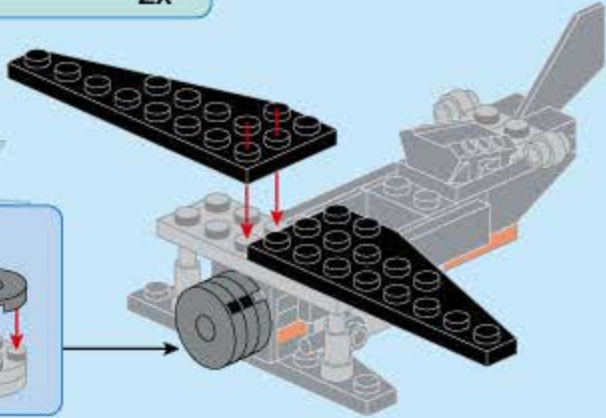
A10



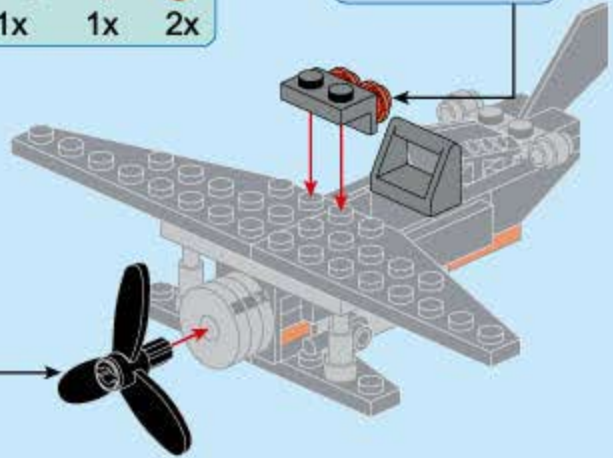
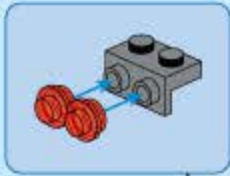
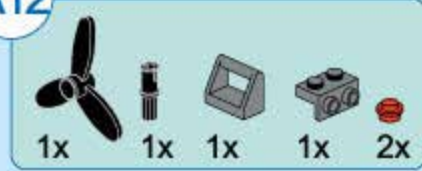
A11



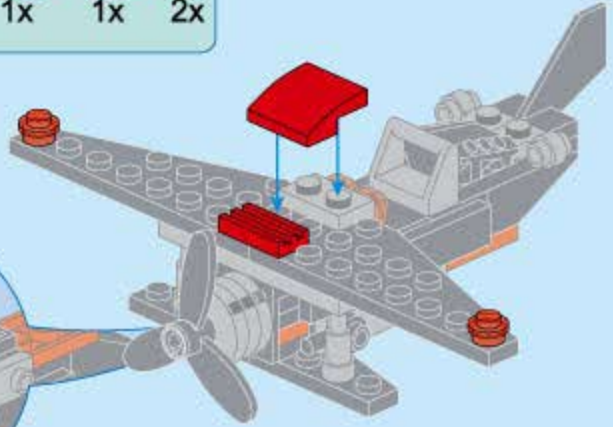
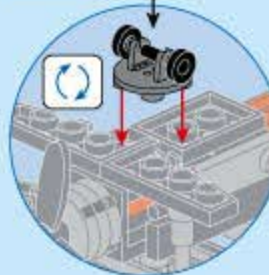
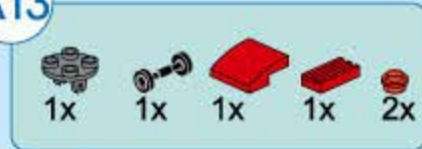
5

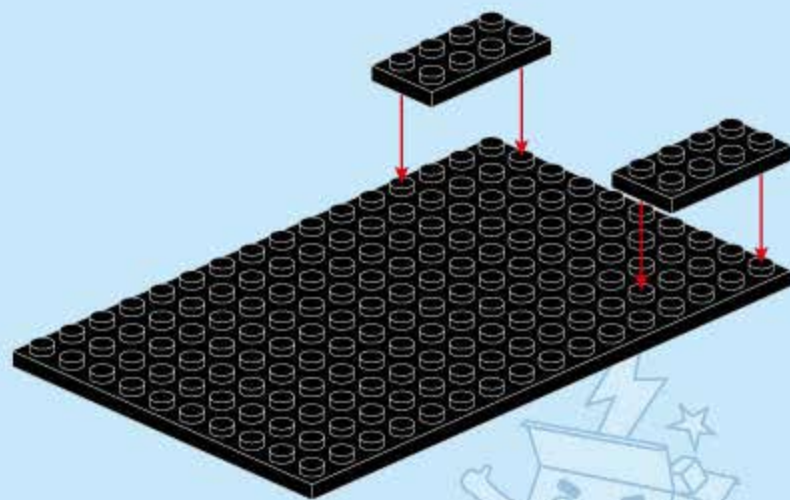
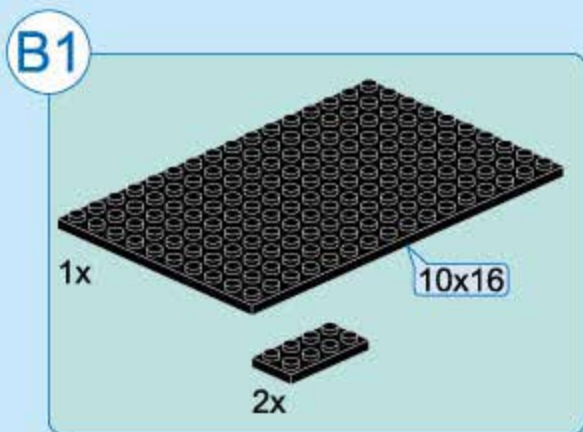
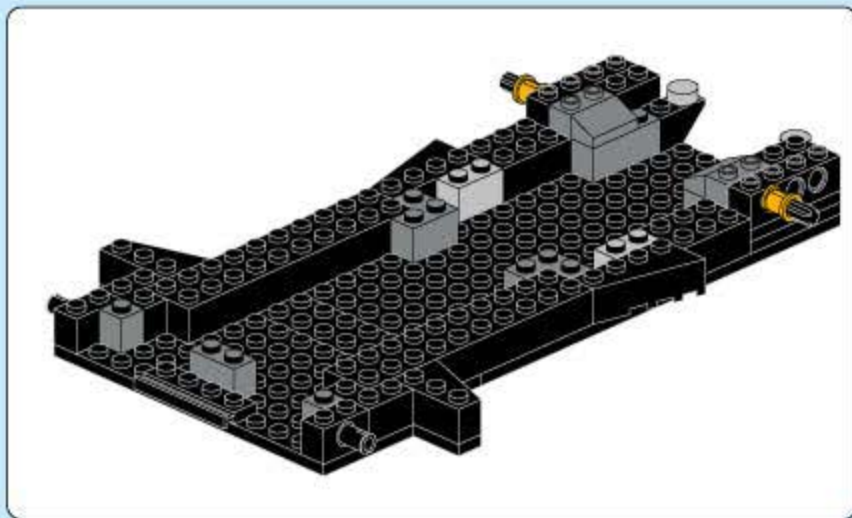


A12

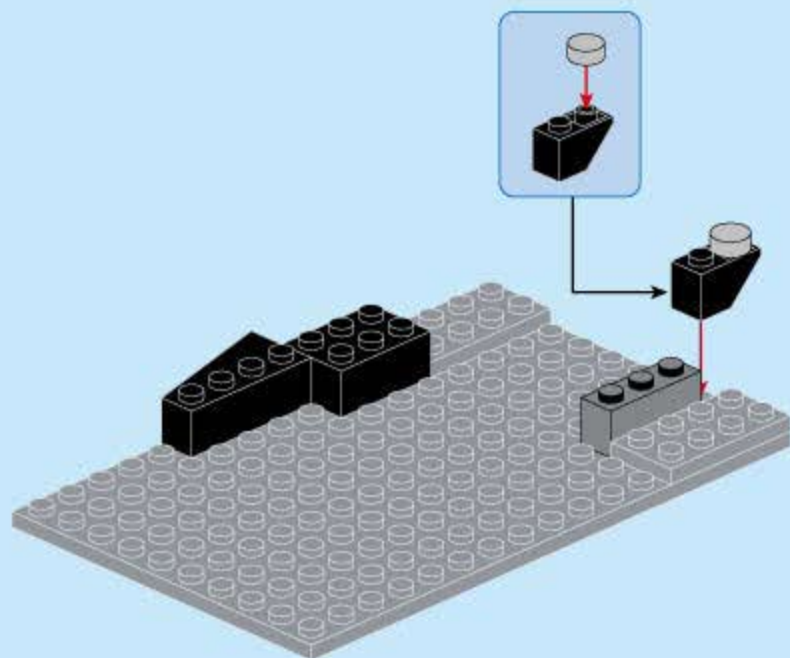
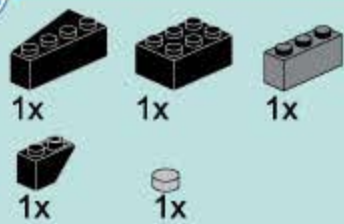


A13

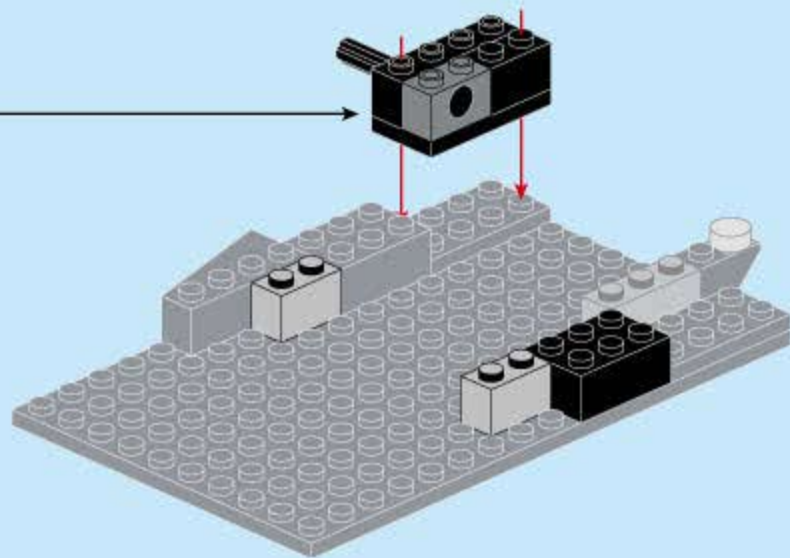
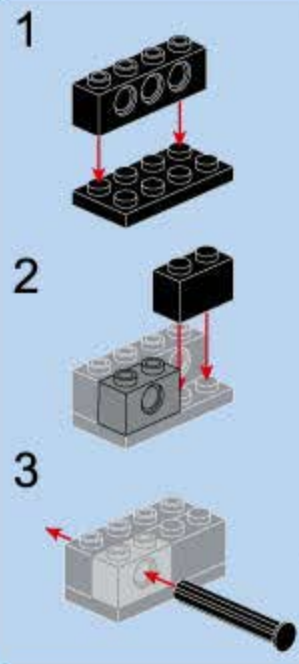
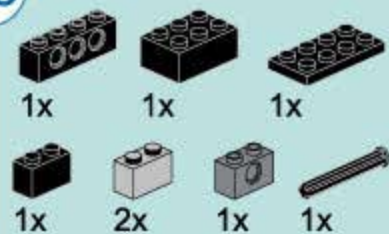




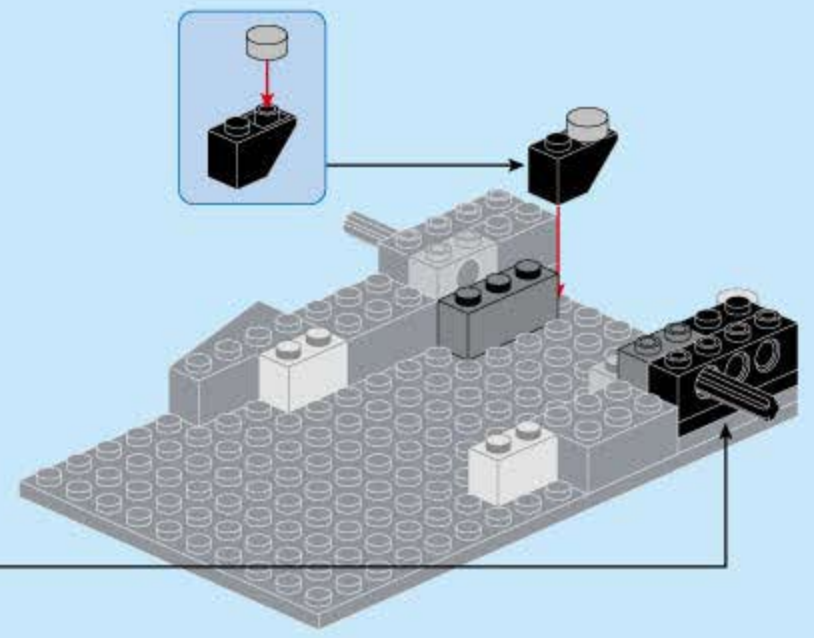
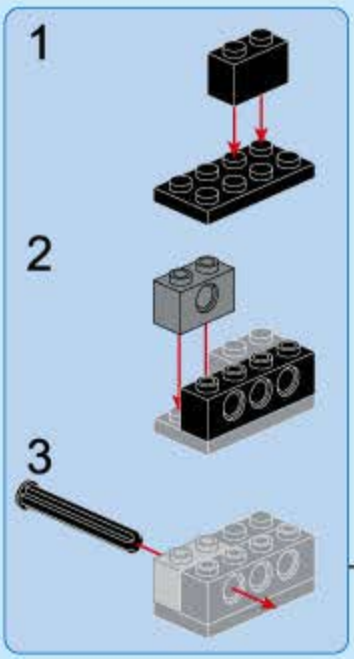
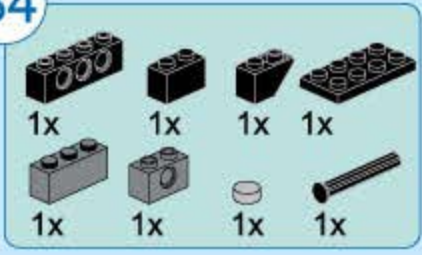
B2



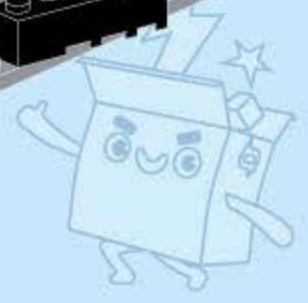
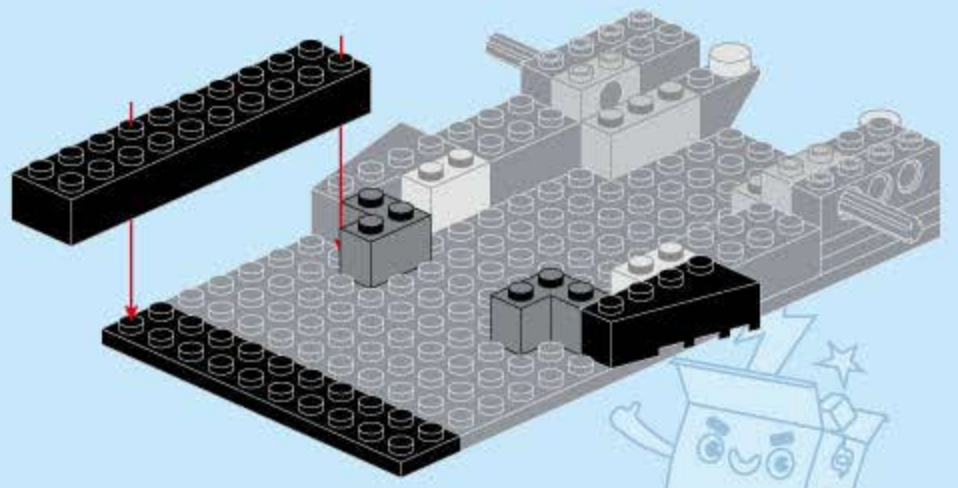
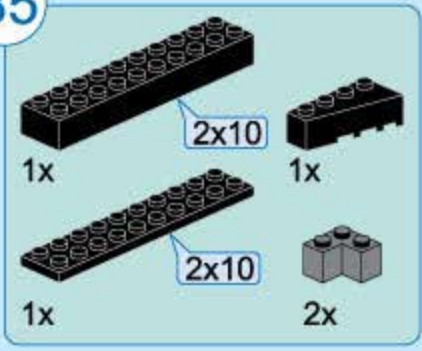
B3



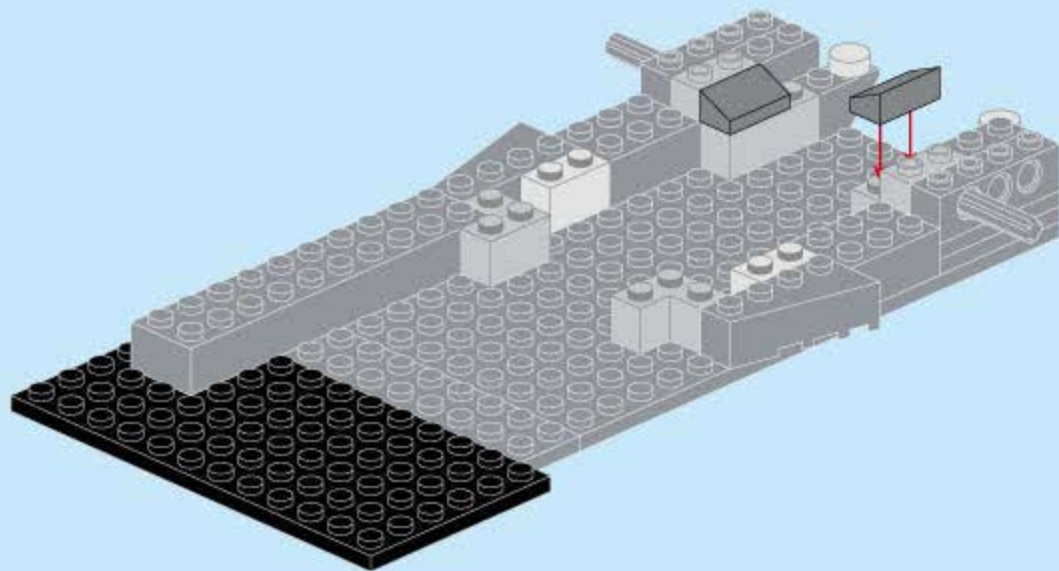
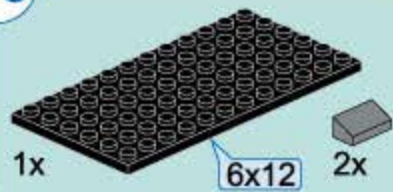
B4



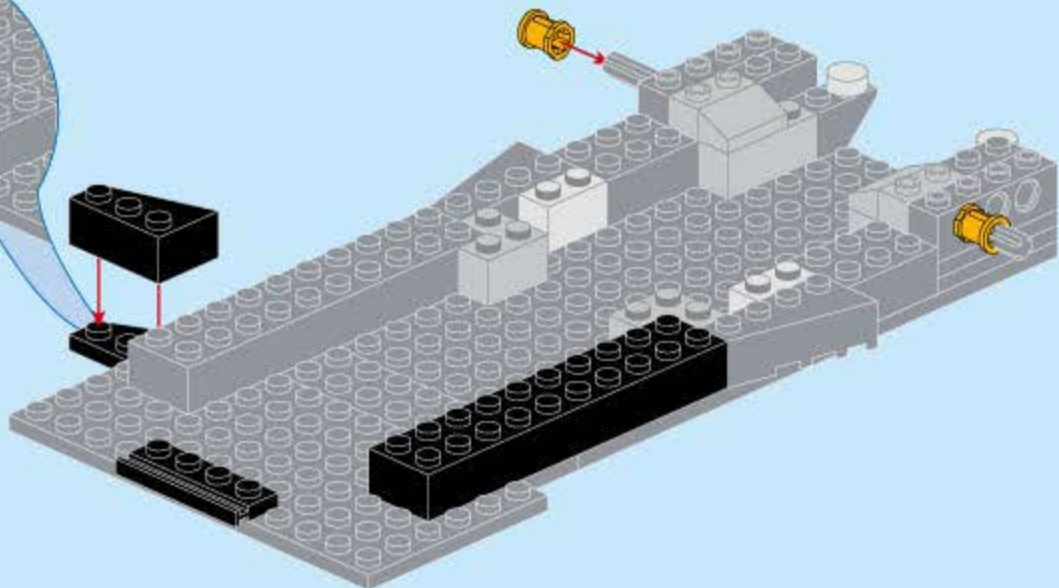
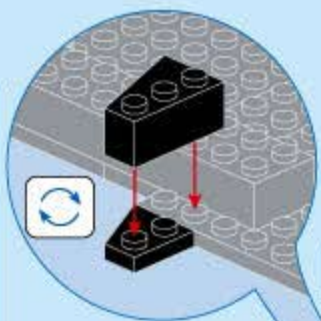
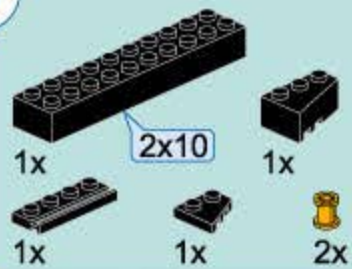
B5



B6



B7



B8



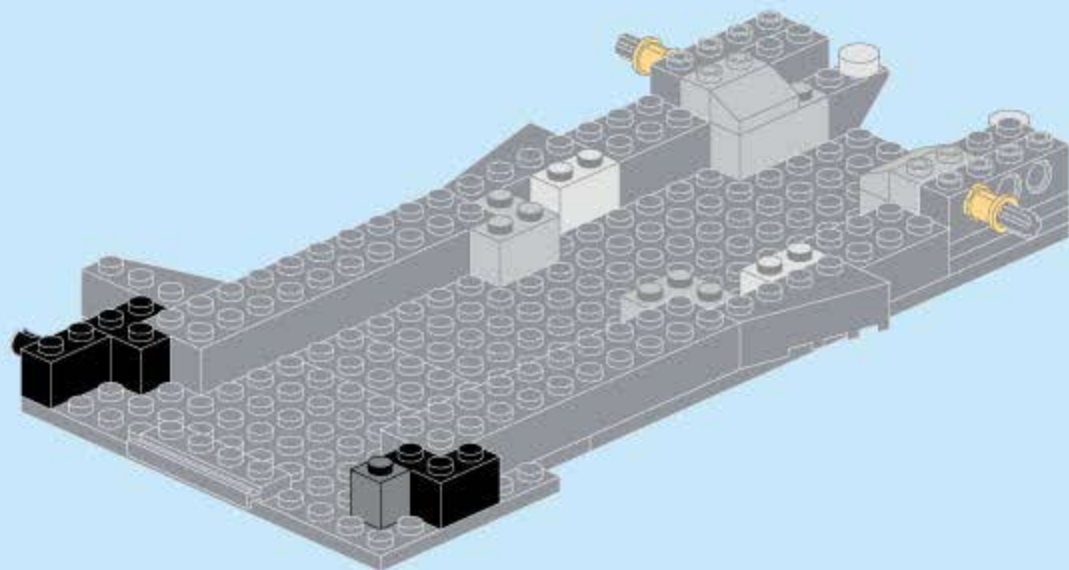
2x



1x



1x



B9



1x



1x



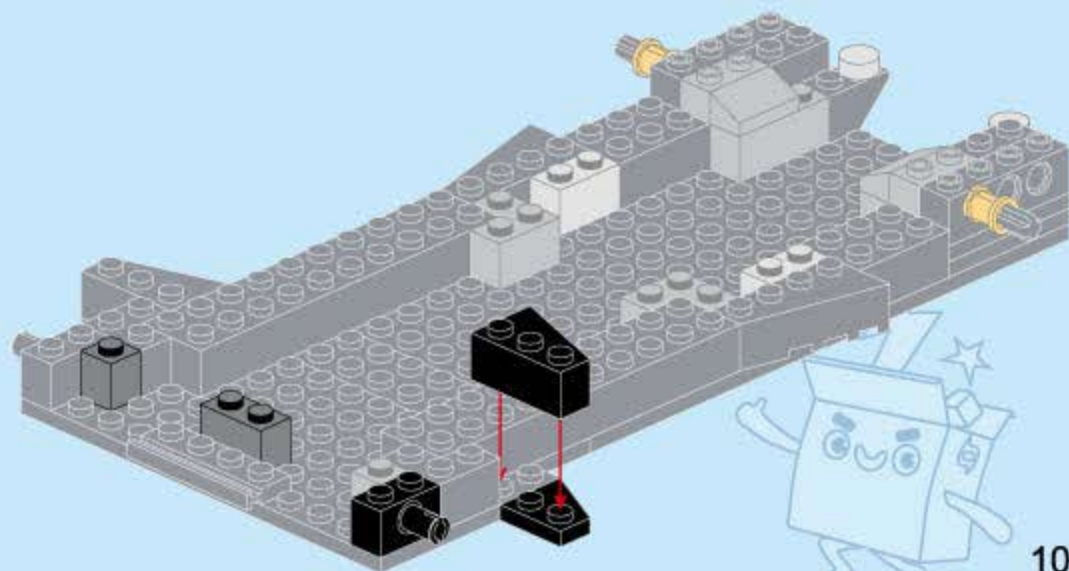
1x

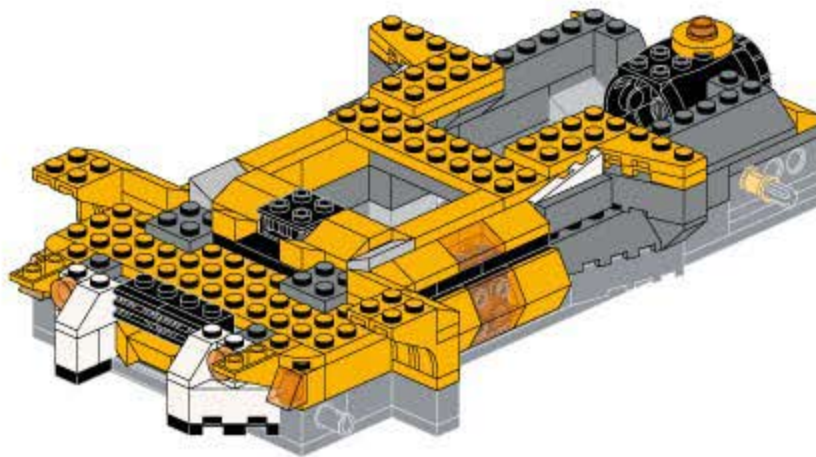


1x

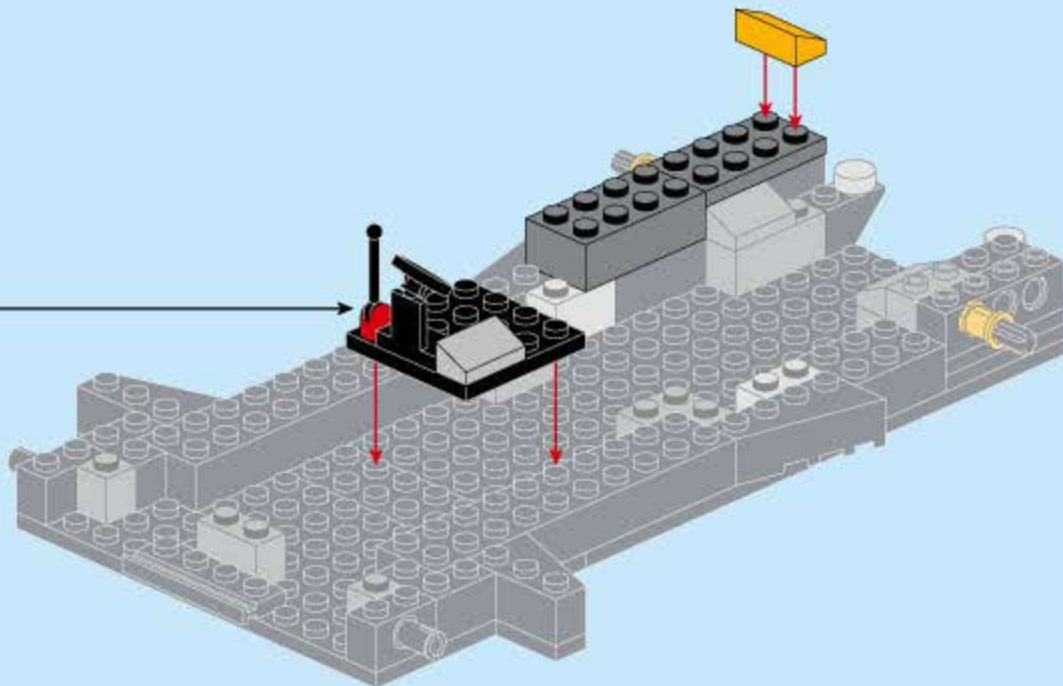
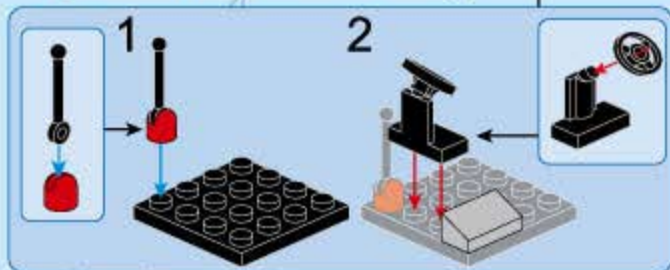
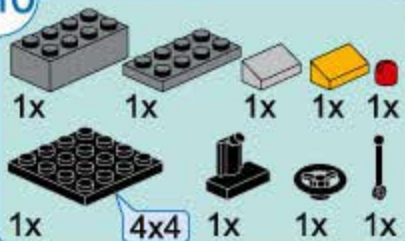


1x

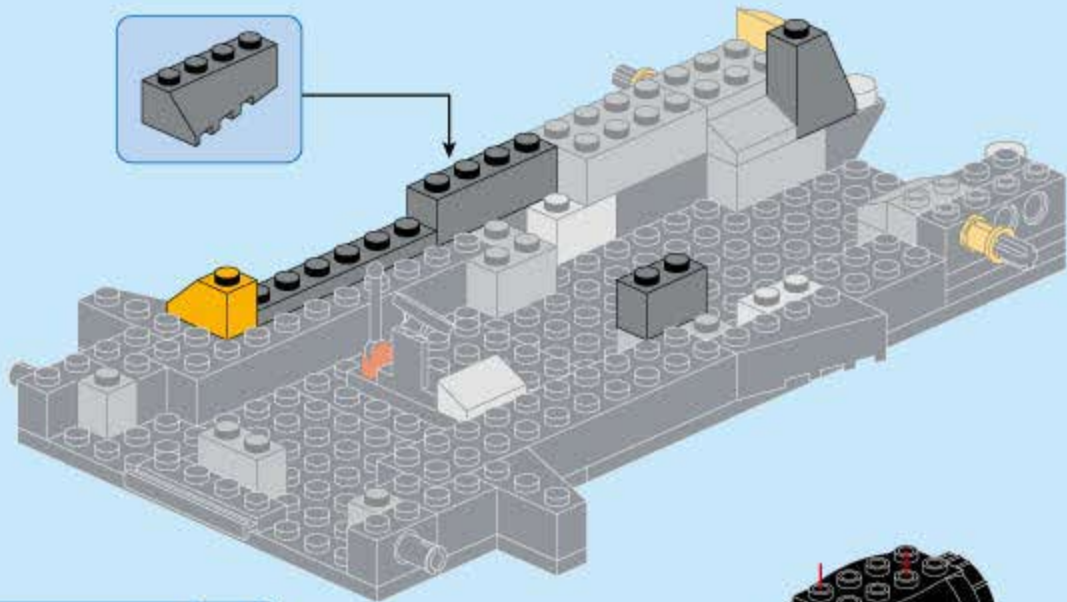
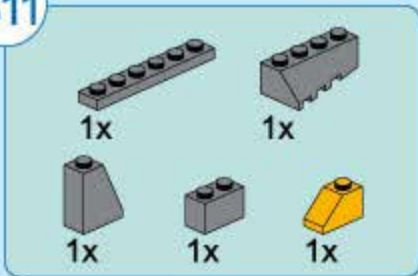




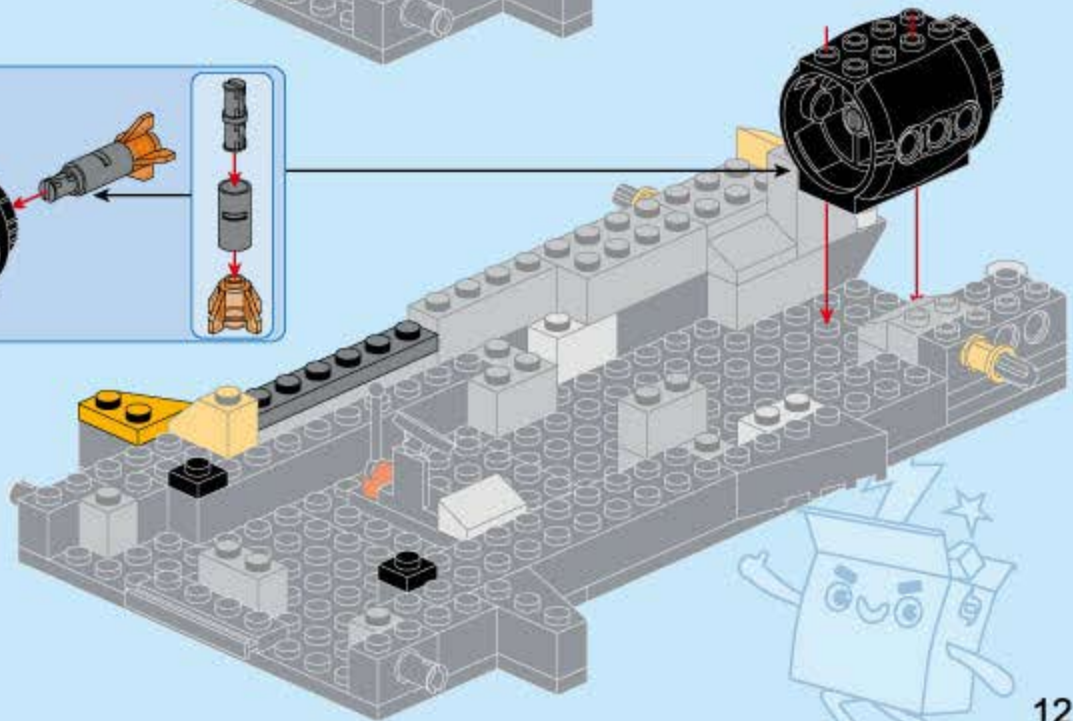
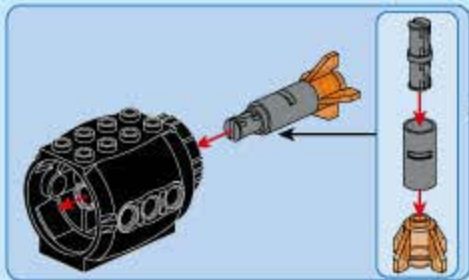
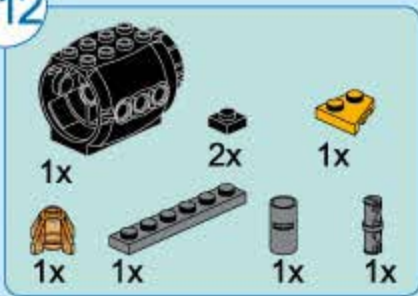
B10



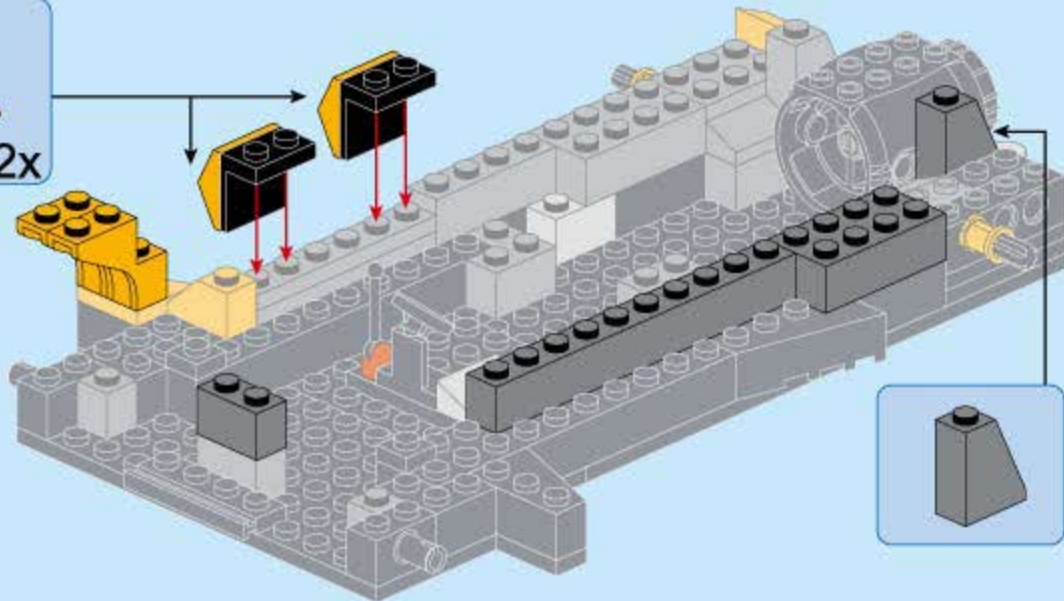
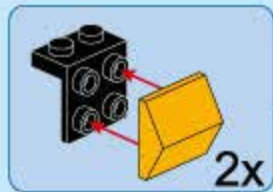
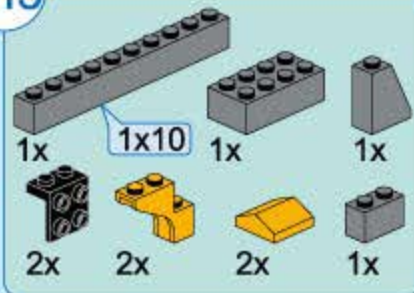
B11



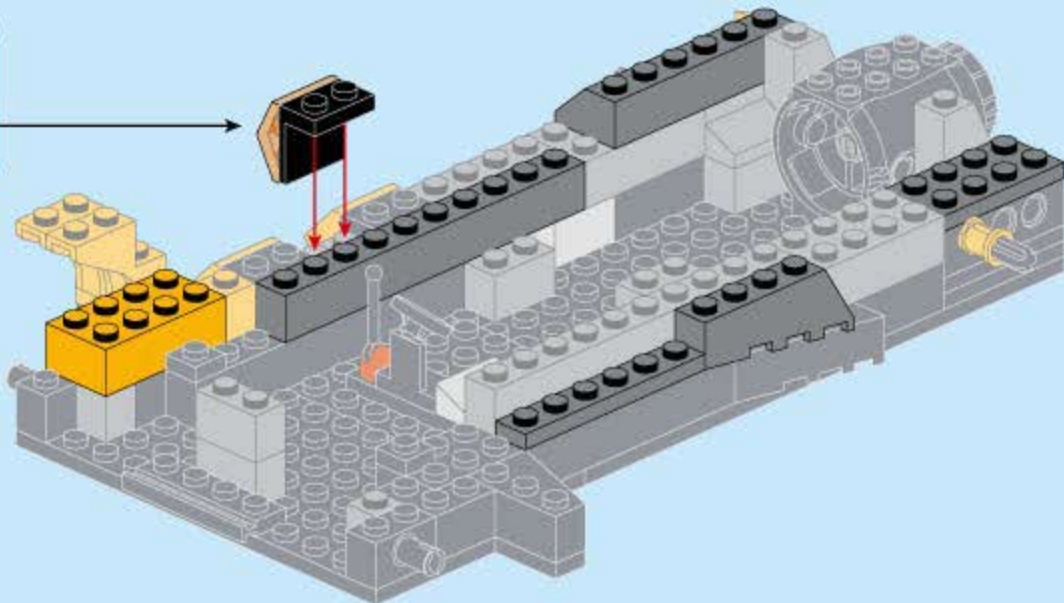
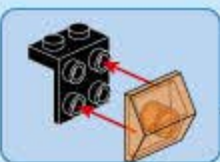
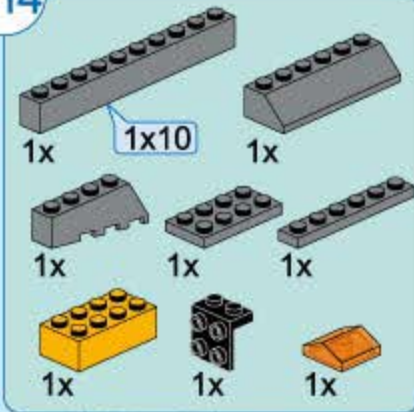
B12



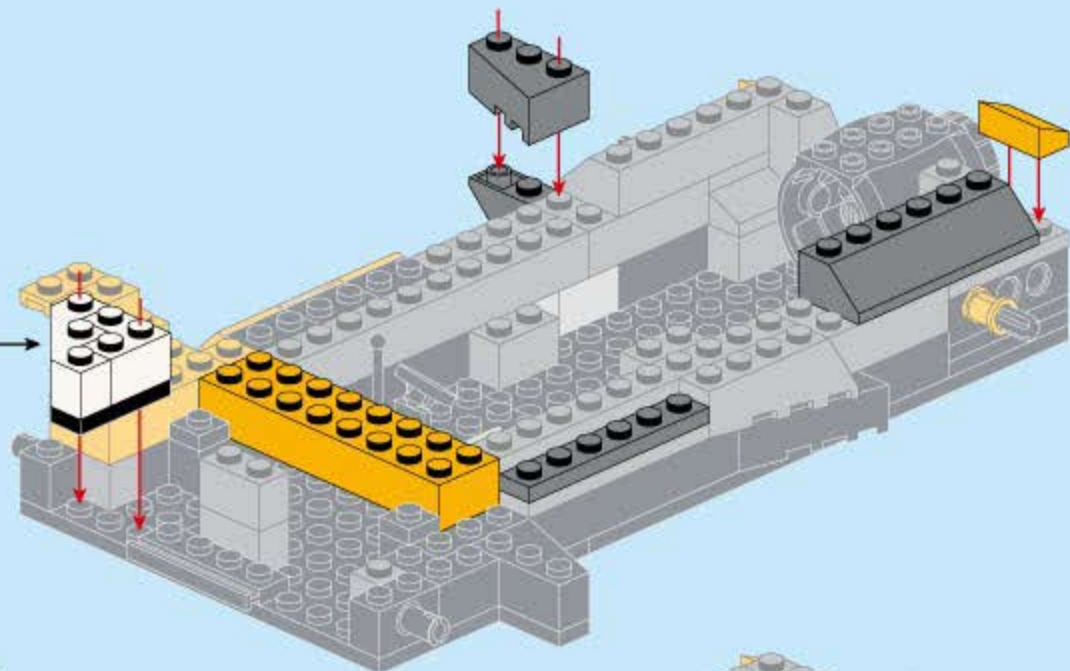
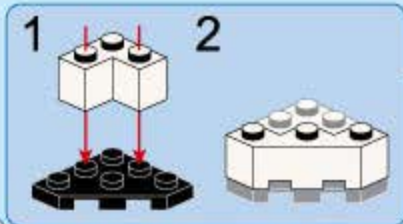
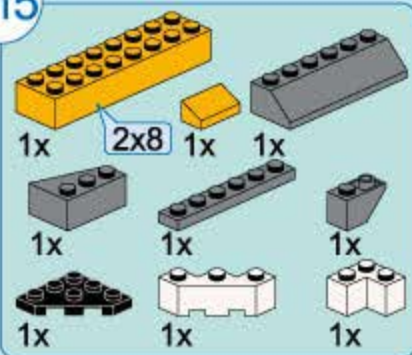
B13



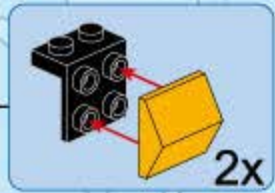
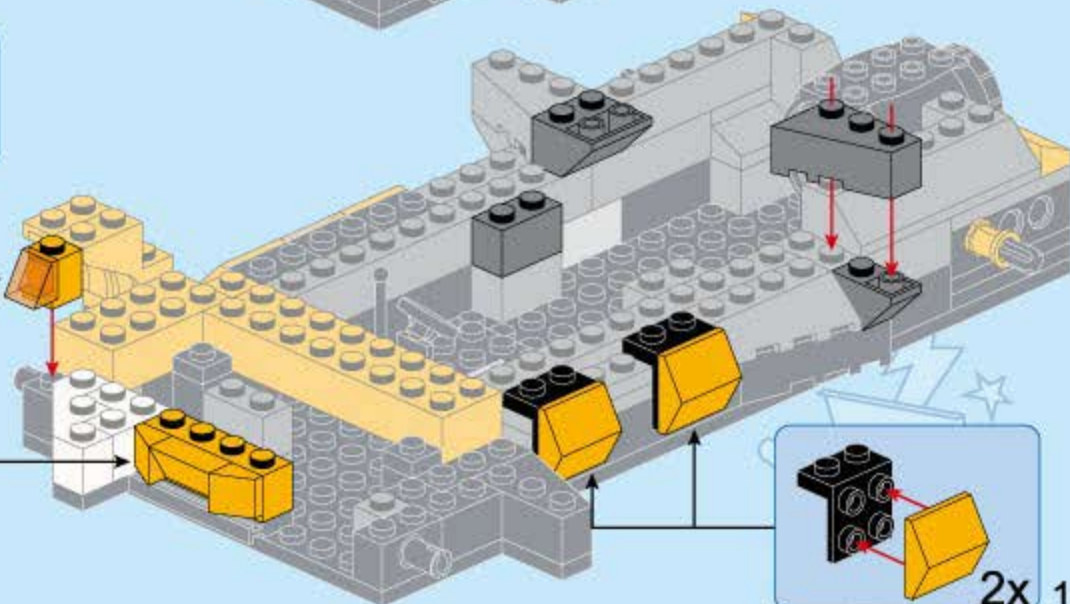
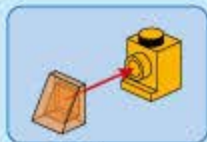
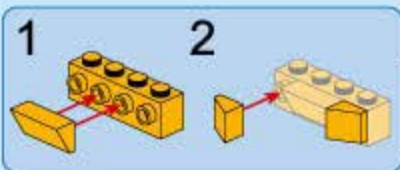
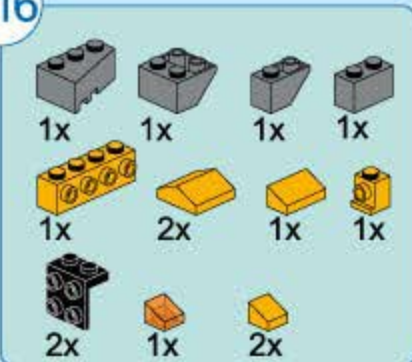
B14



B15

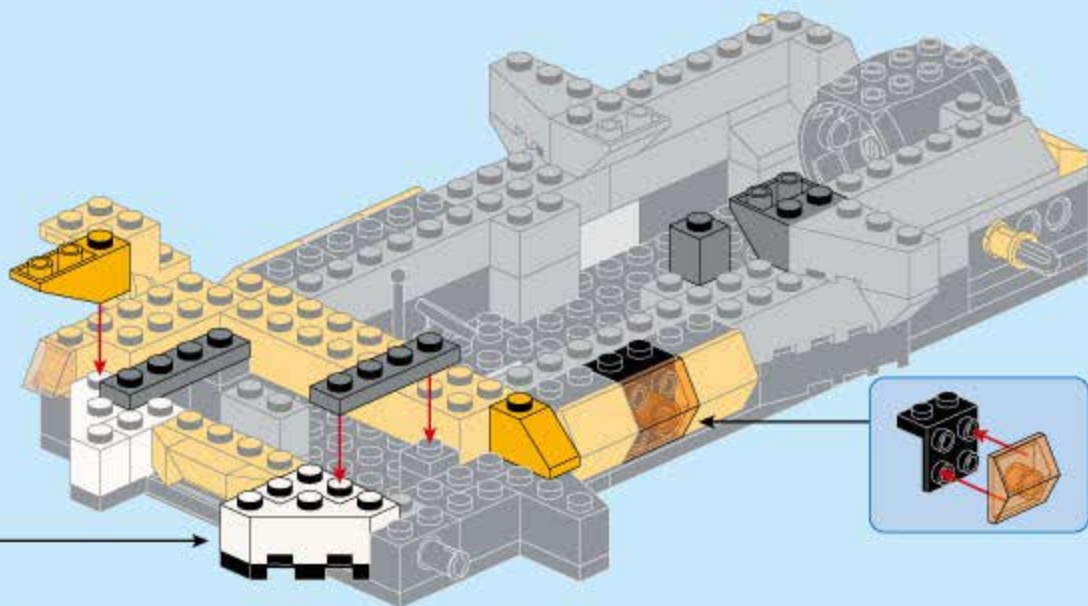
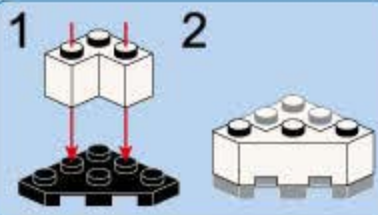
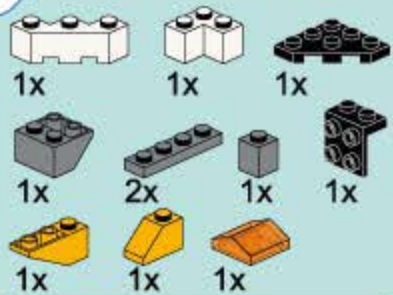


B16

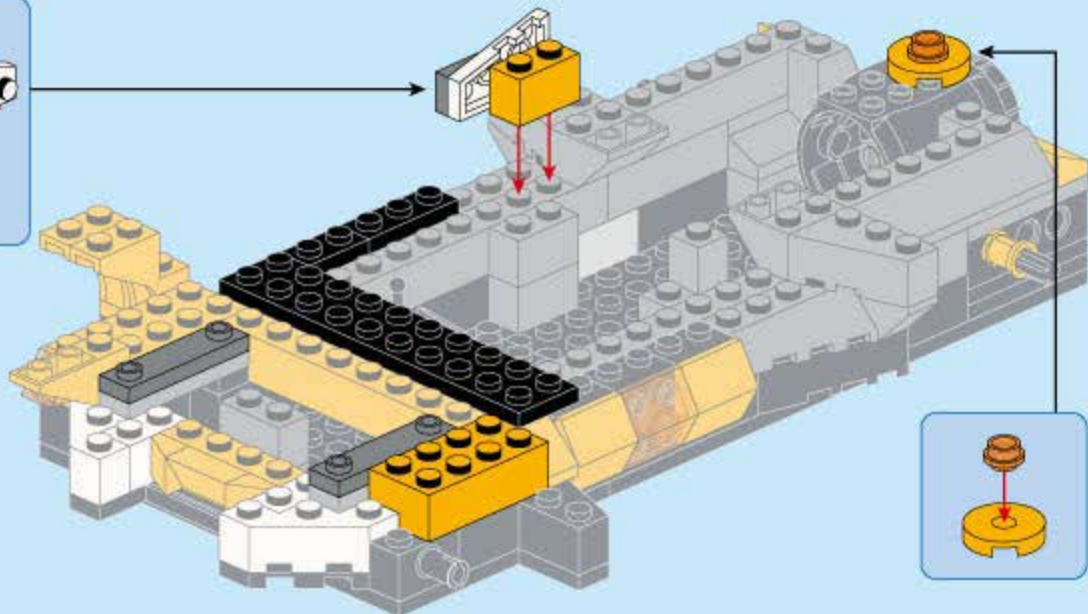
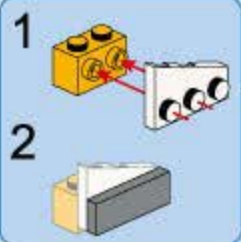
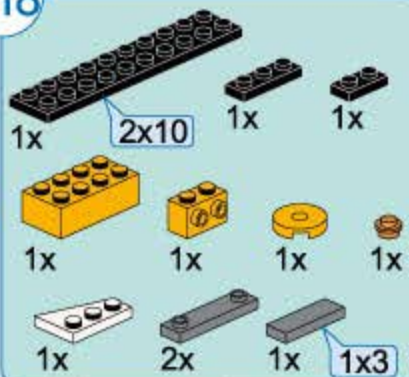


2x 14

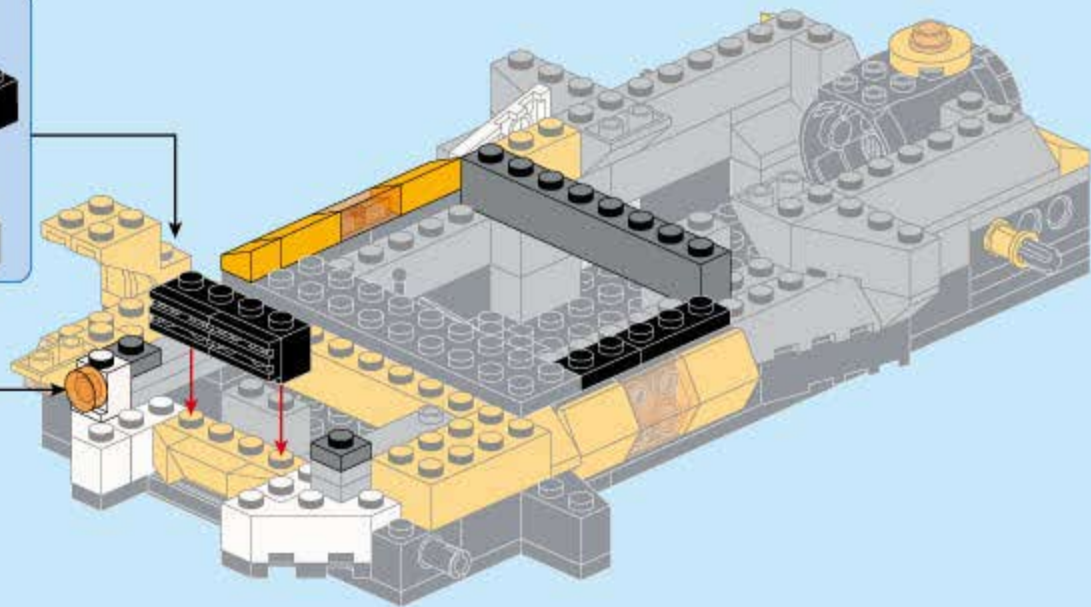
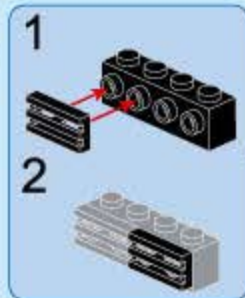
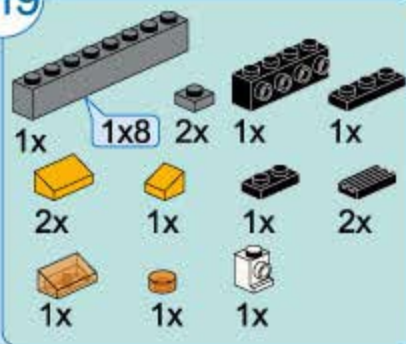
B17



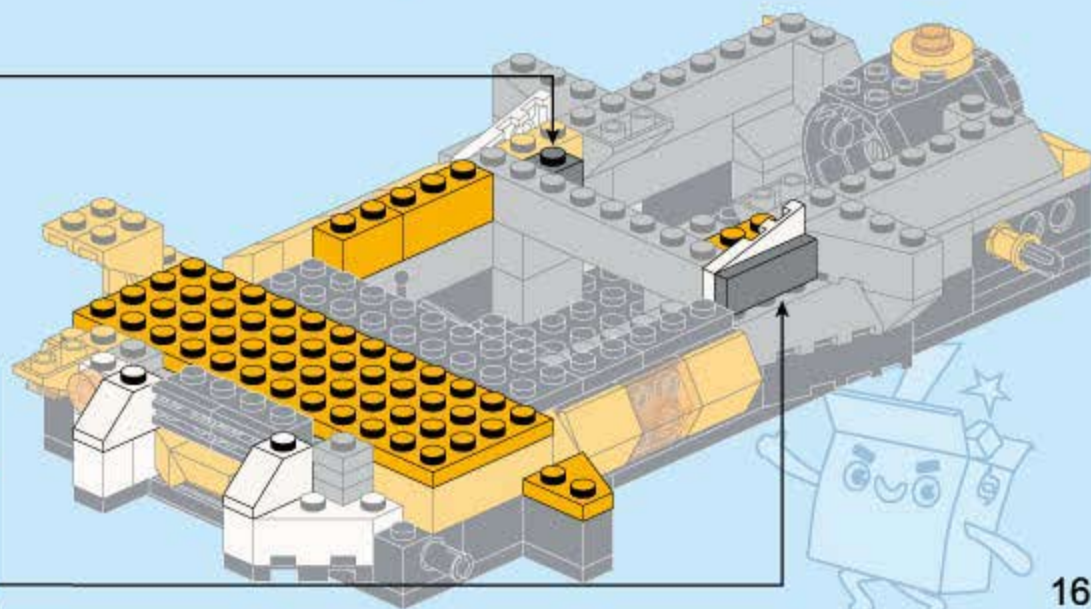
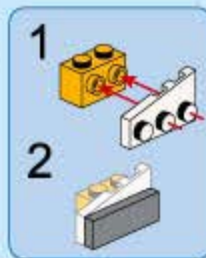
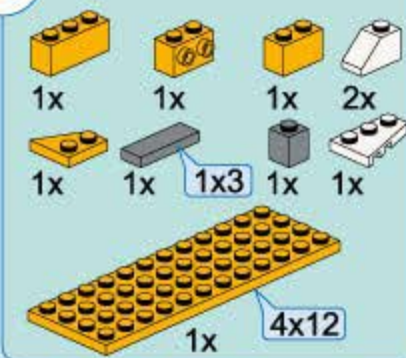
B18



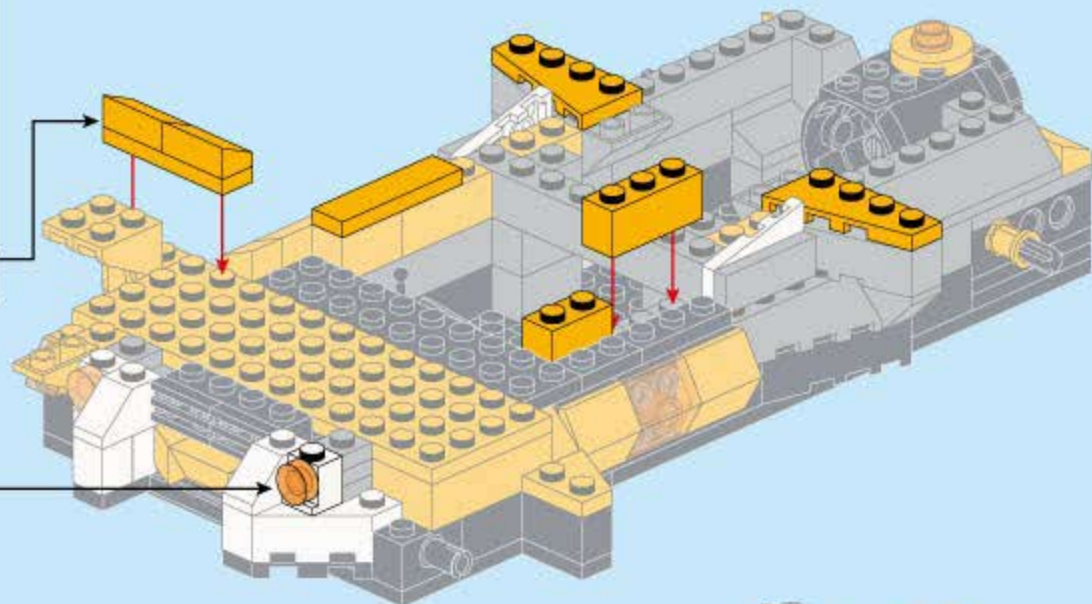
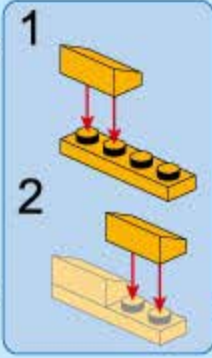
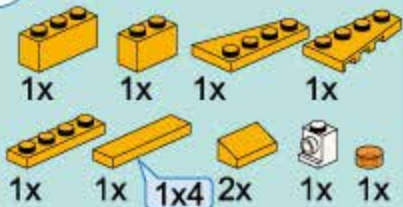
B19



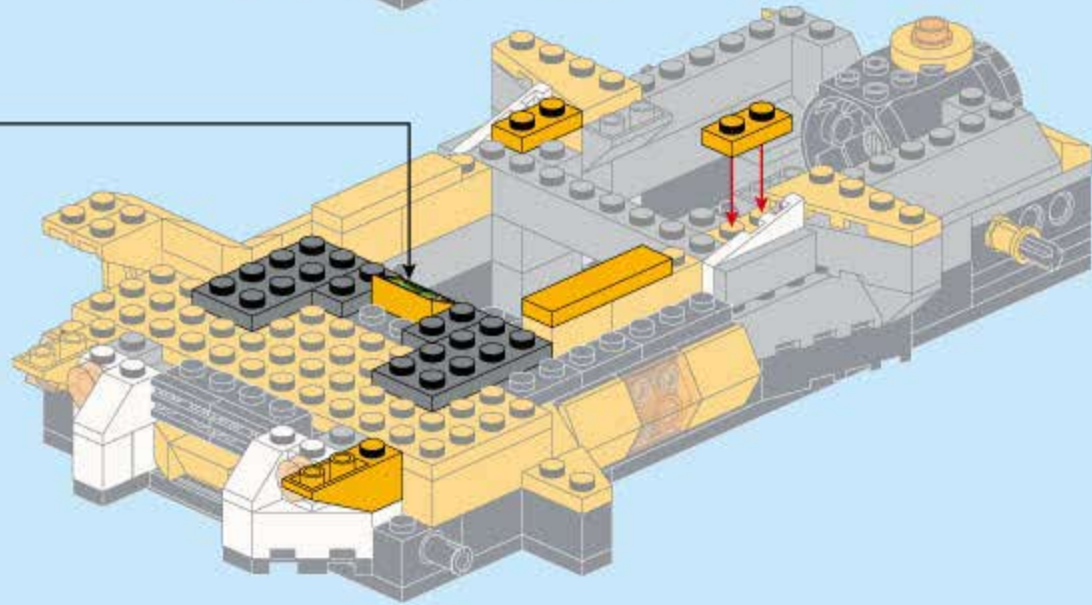
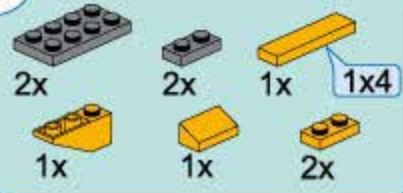
B20








B21

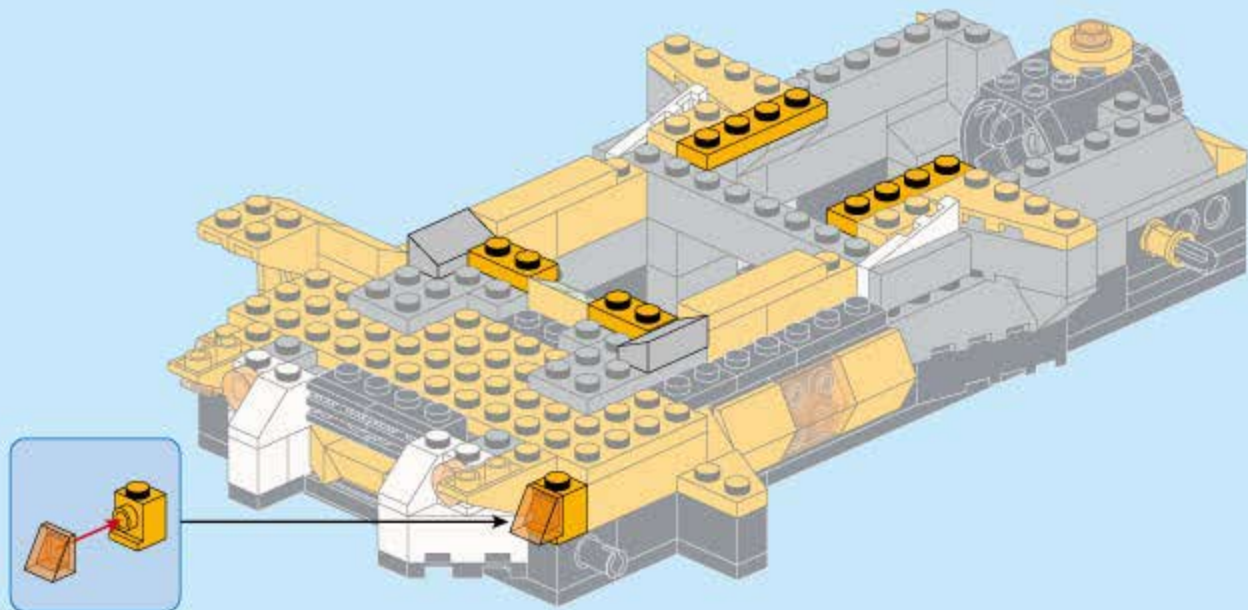


B22










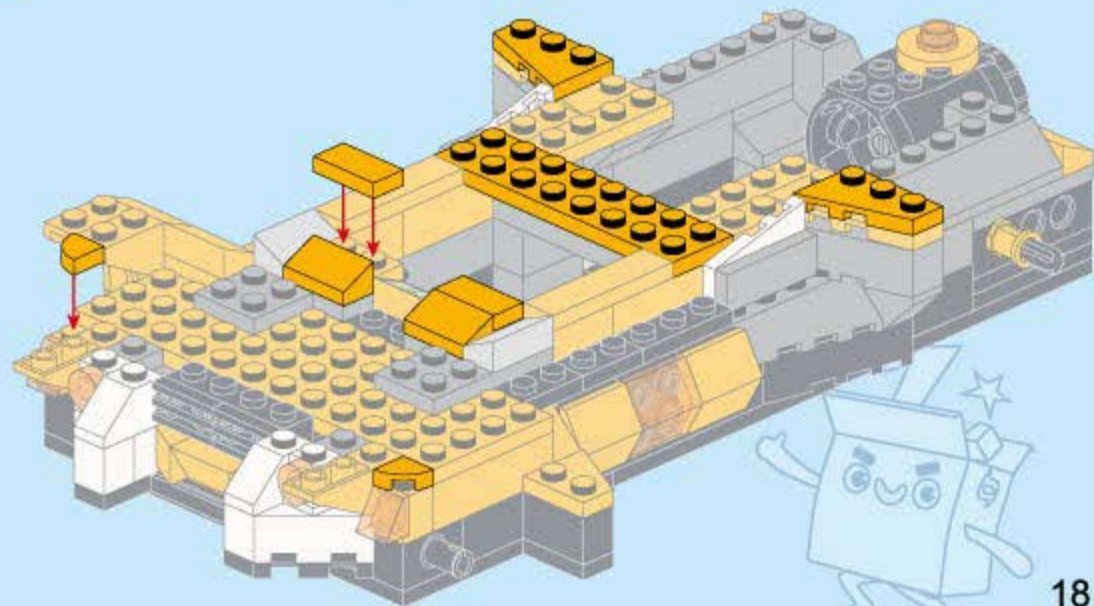
B23

- 2x 
- 2x 
- 1x 
- 2x 
- 1x 

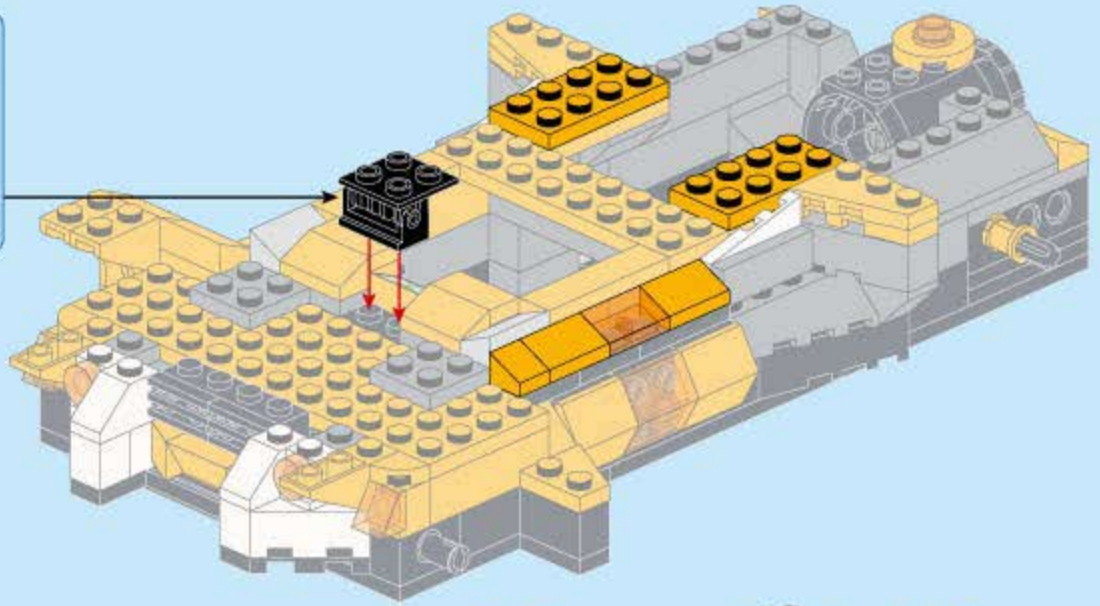
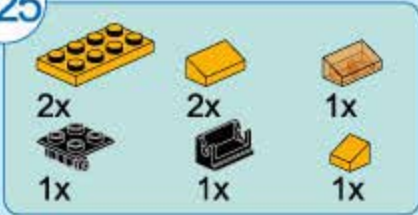


B24

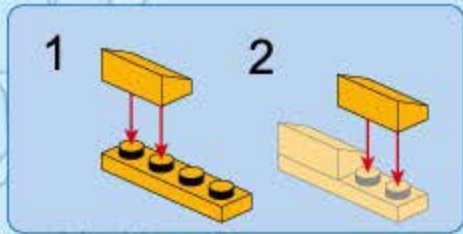
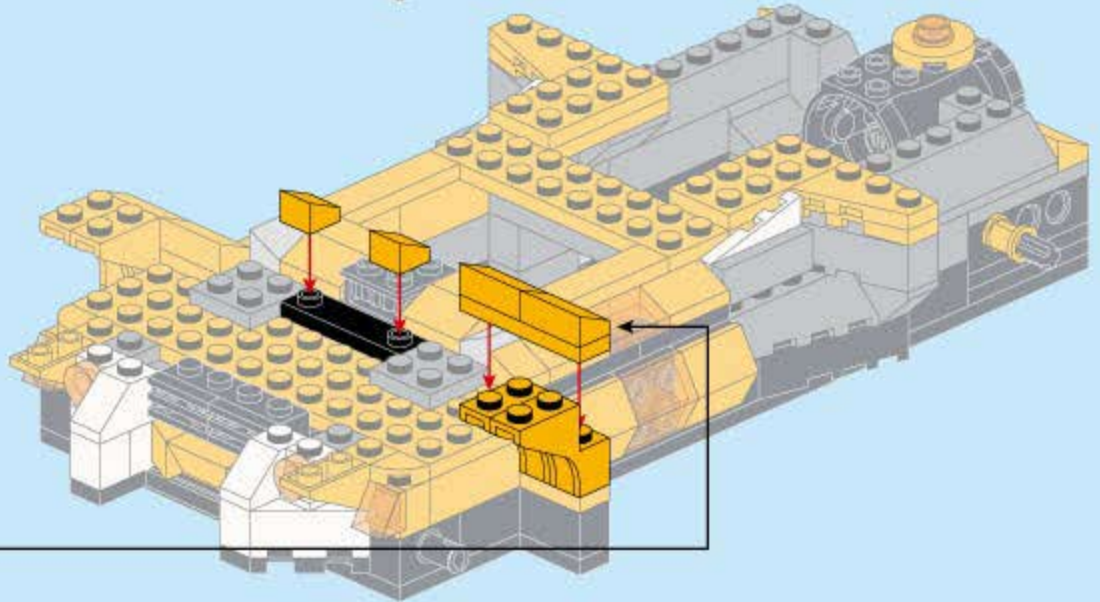
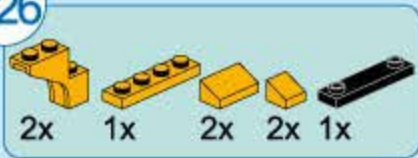
- 1x 
- 2x8 
- 1x 
- 1x 
- 2x 
- 2x 
- 2x 

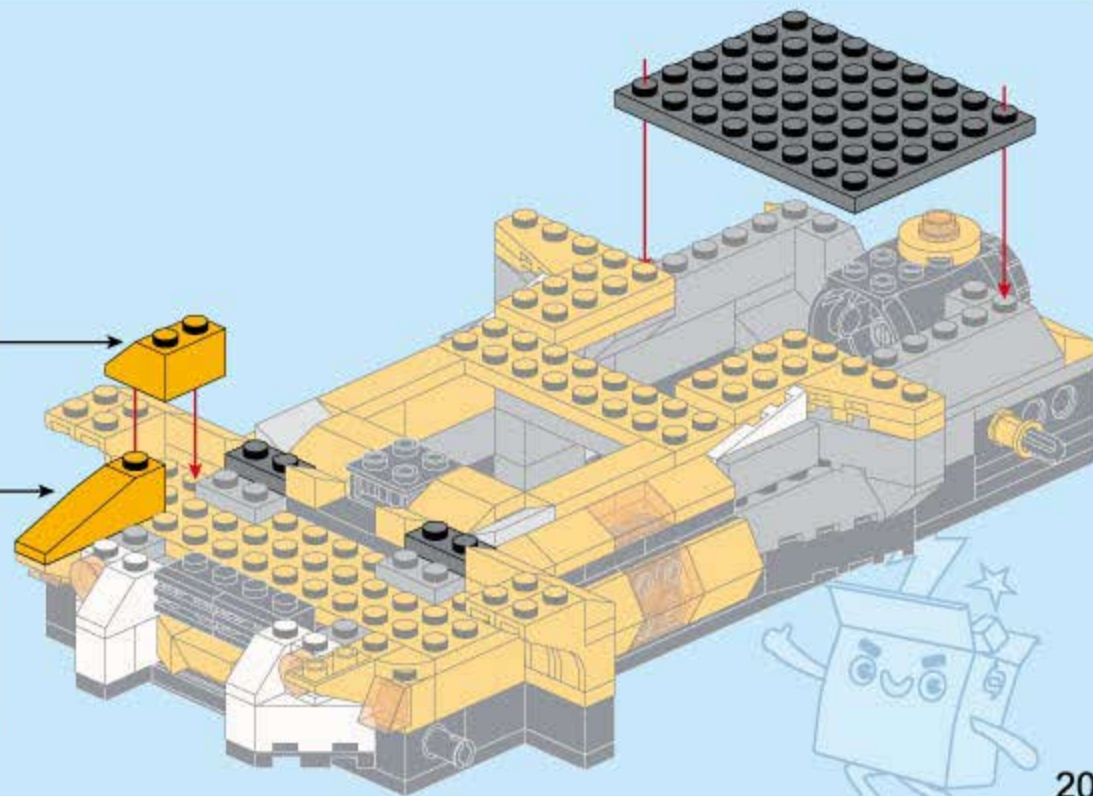
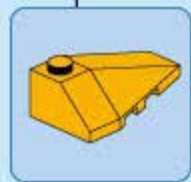
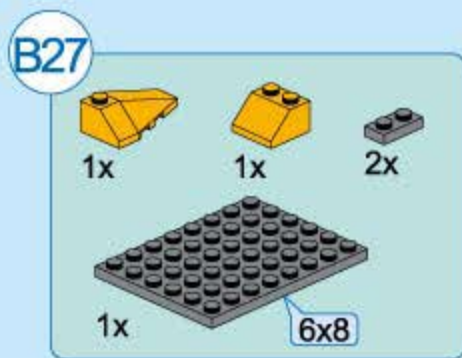
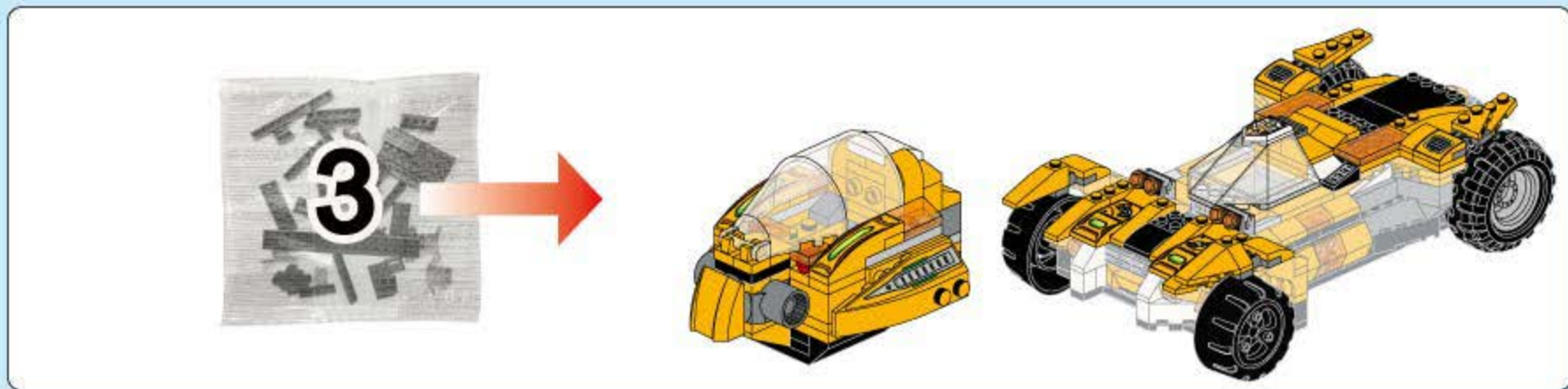


B25

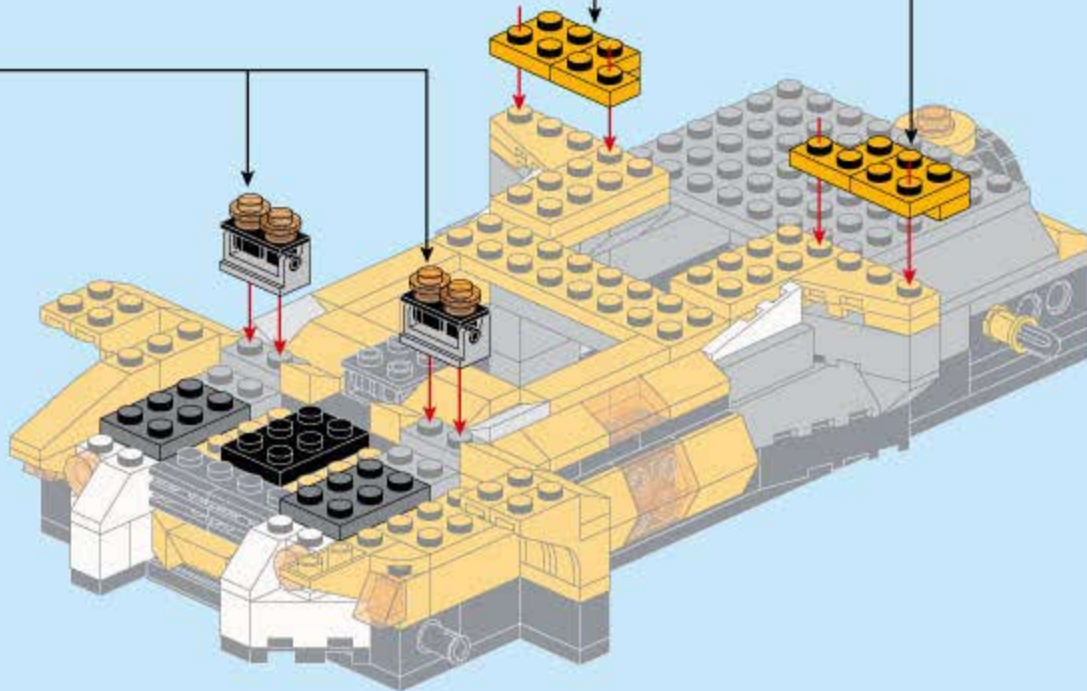
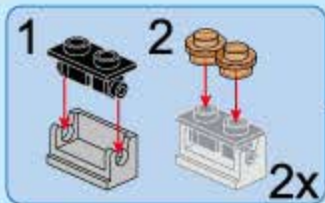
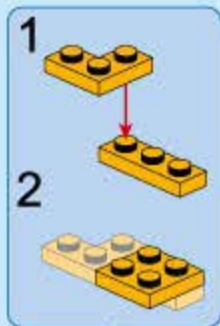
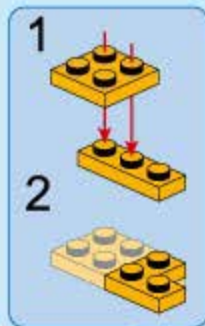
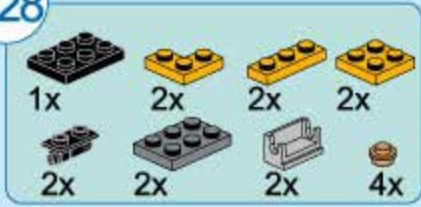


B26

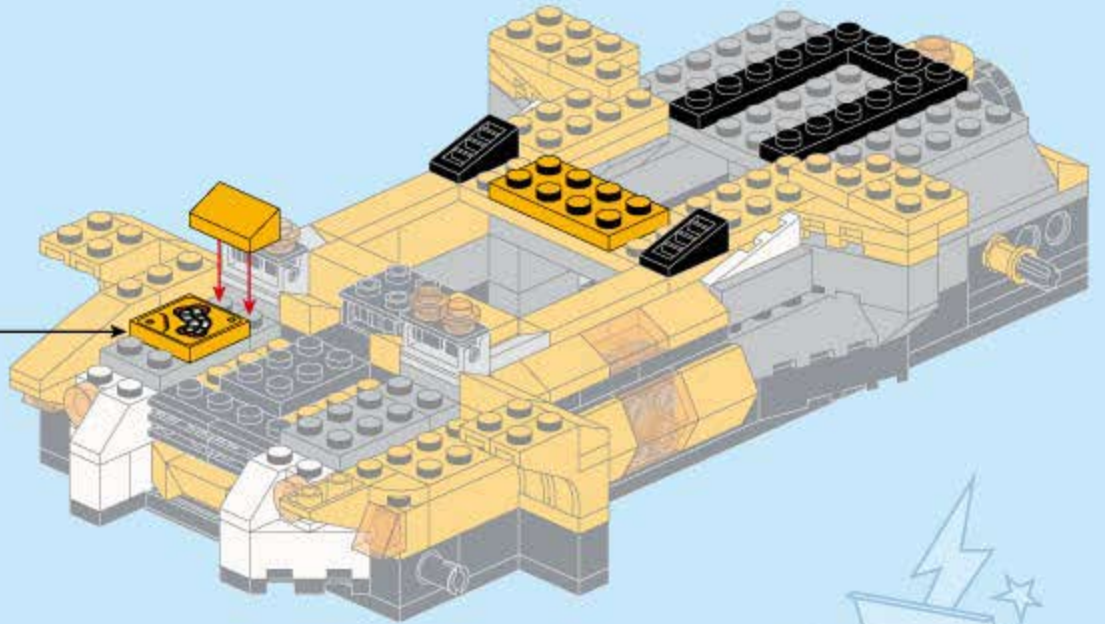
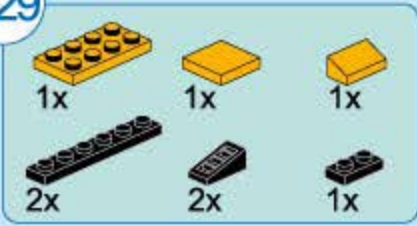




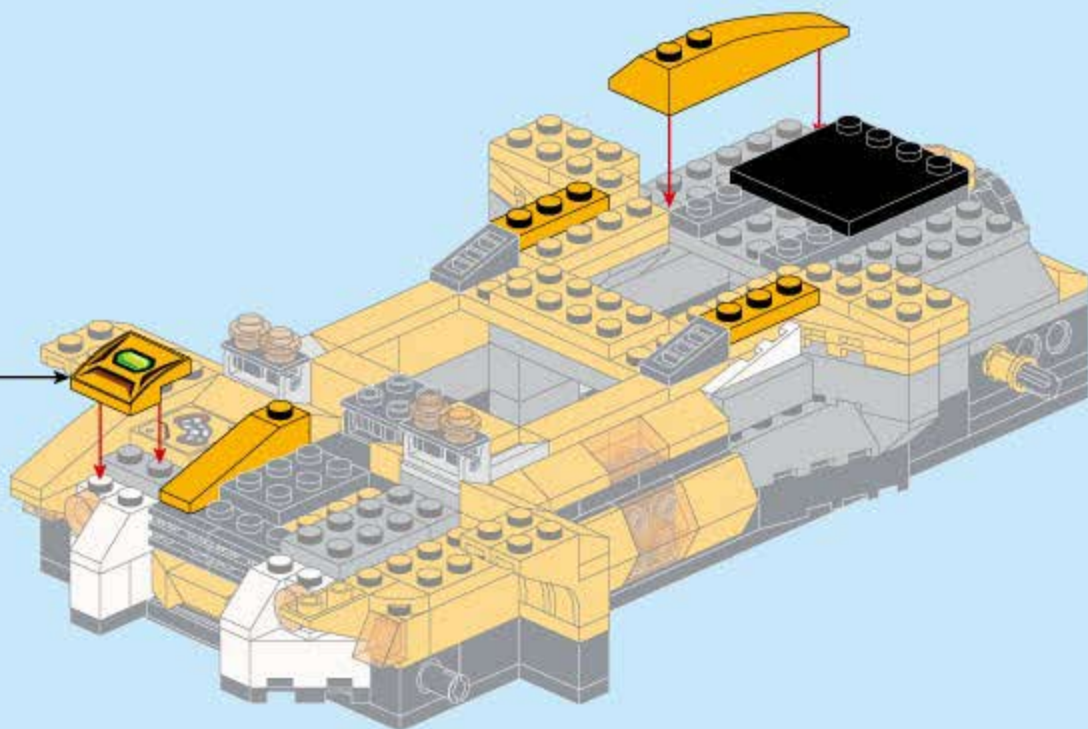
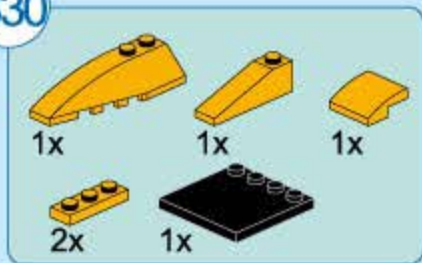
B28



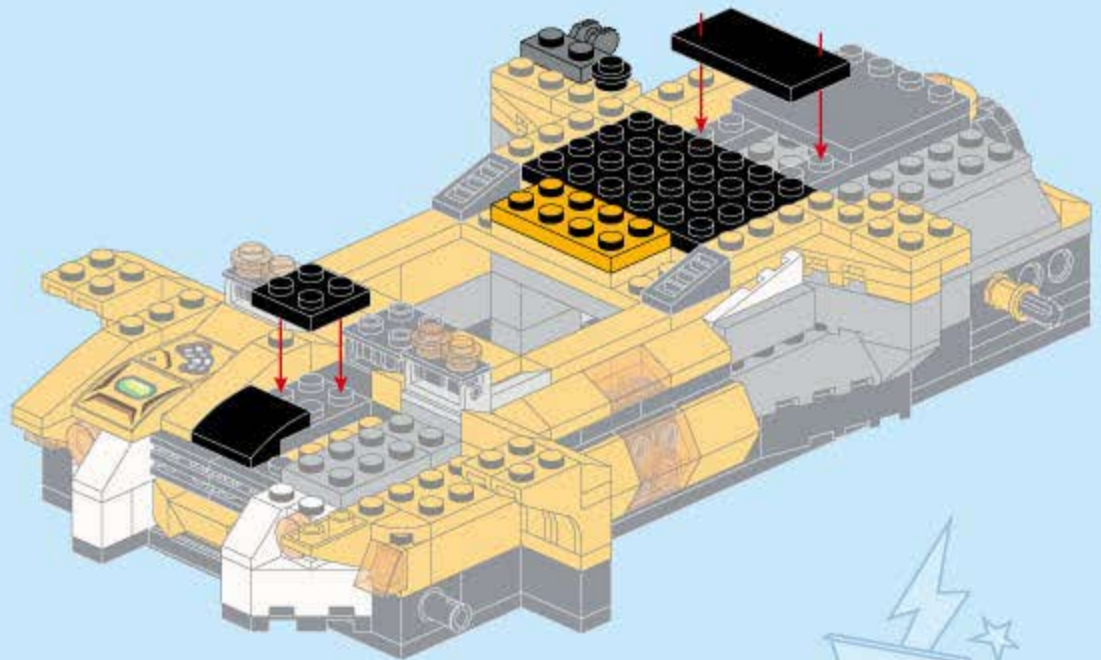
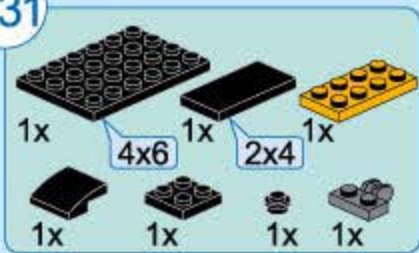
B29



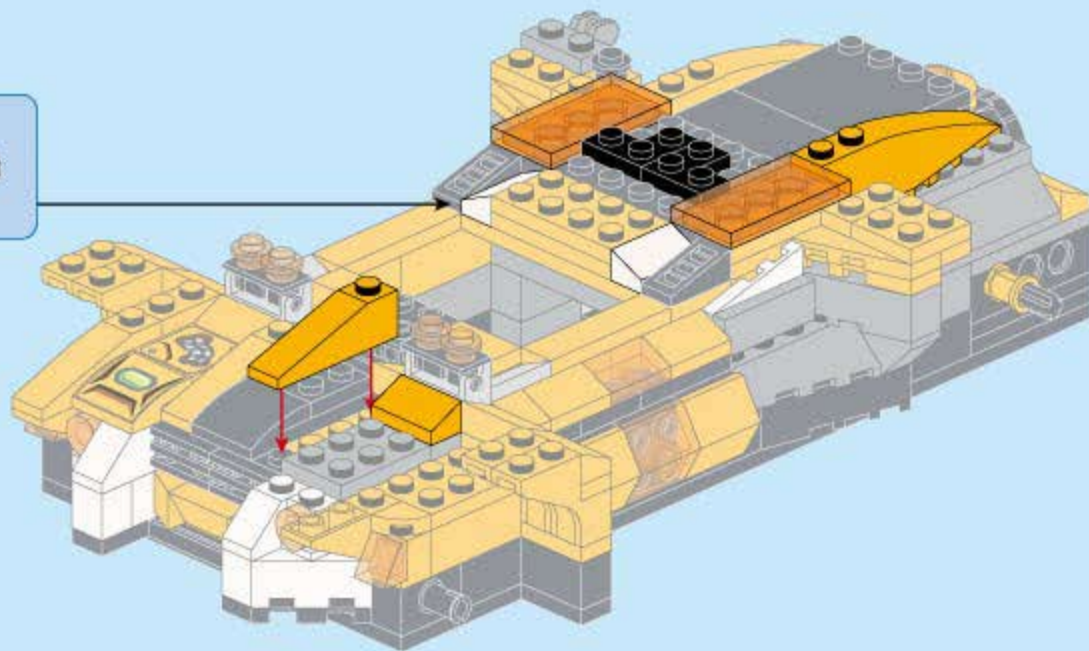
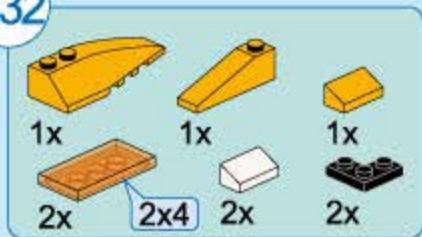
B30




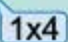





B31

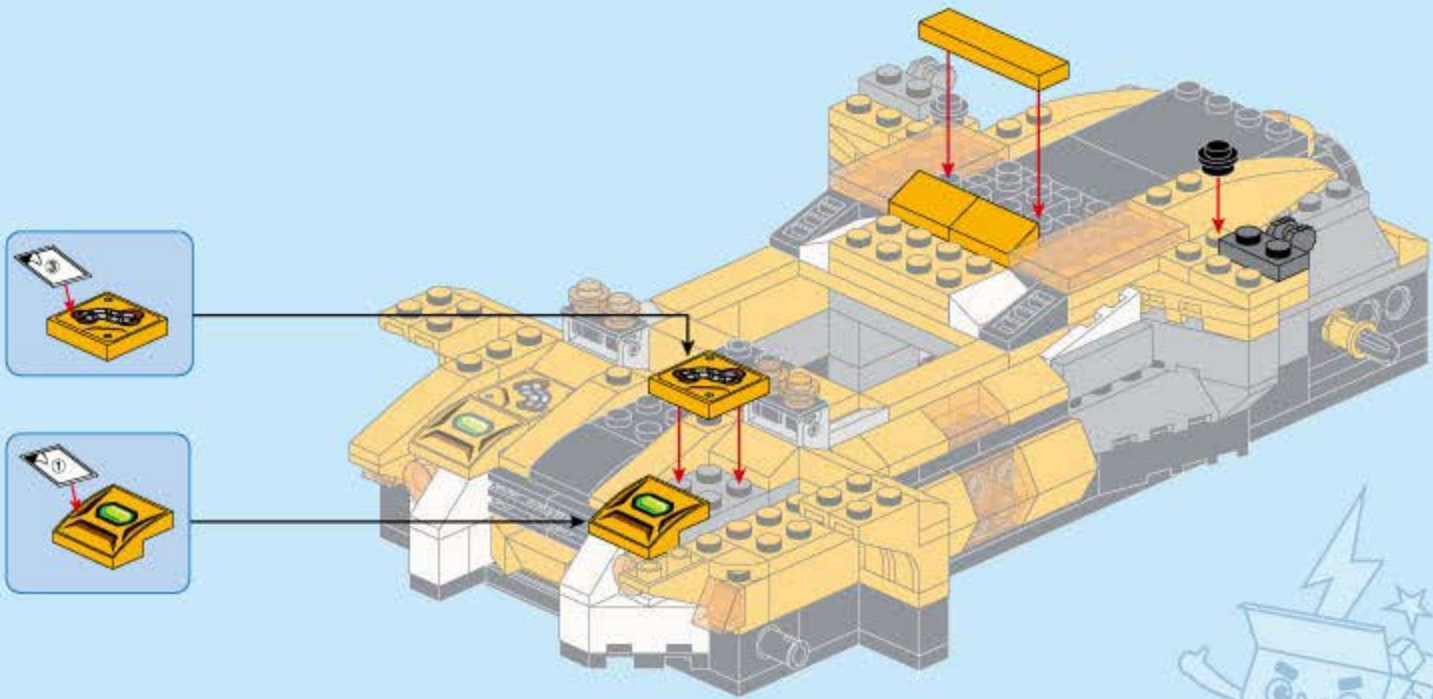


B32



B33

- 1x 
- 1x4 
- 1x 
- 1x 
- 2x 
- 1x 
- 1x 



B34



1x



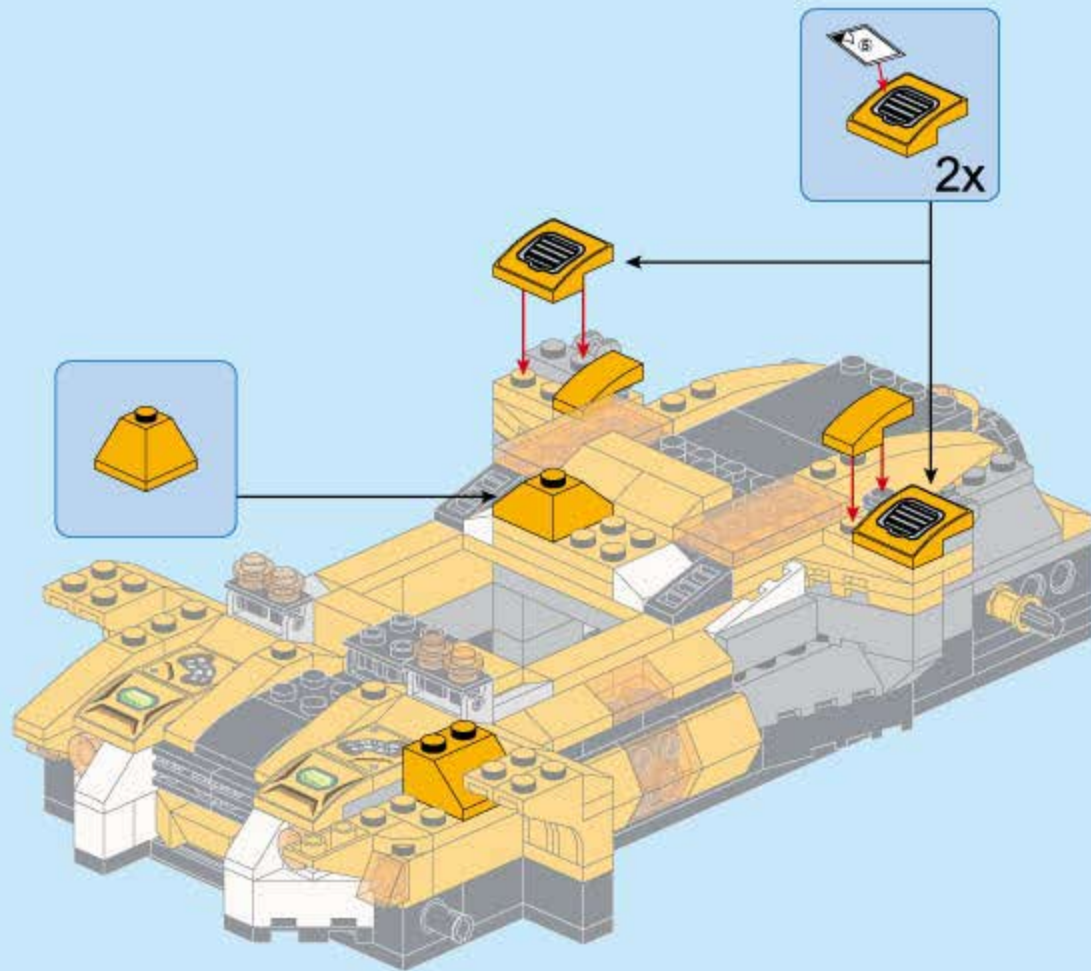
1x



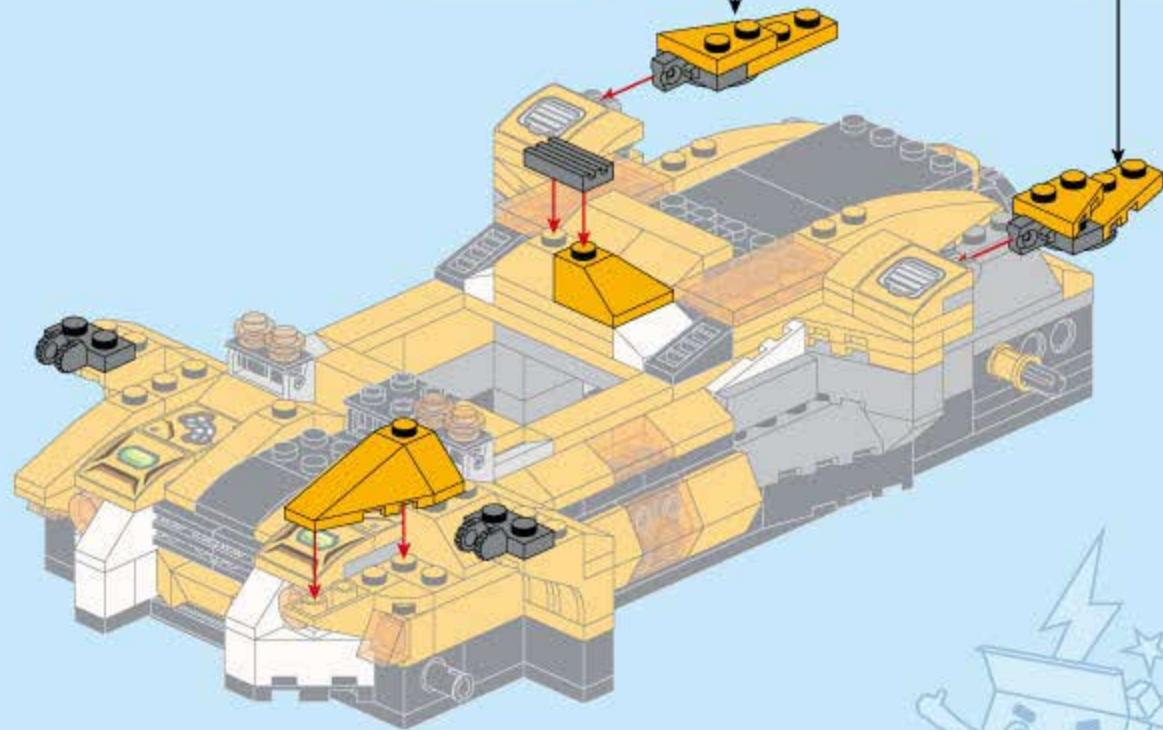
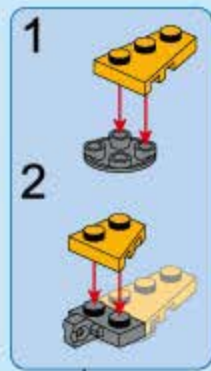
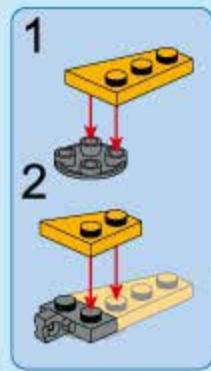
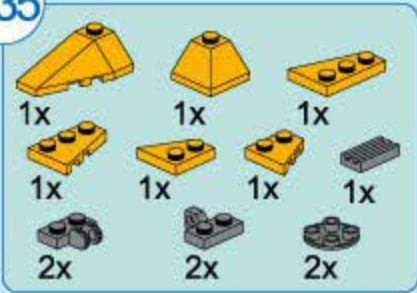
2x



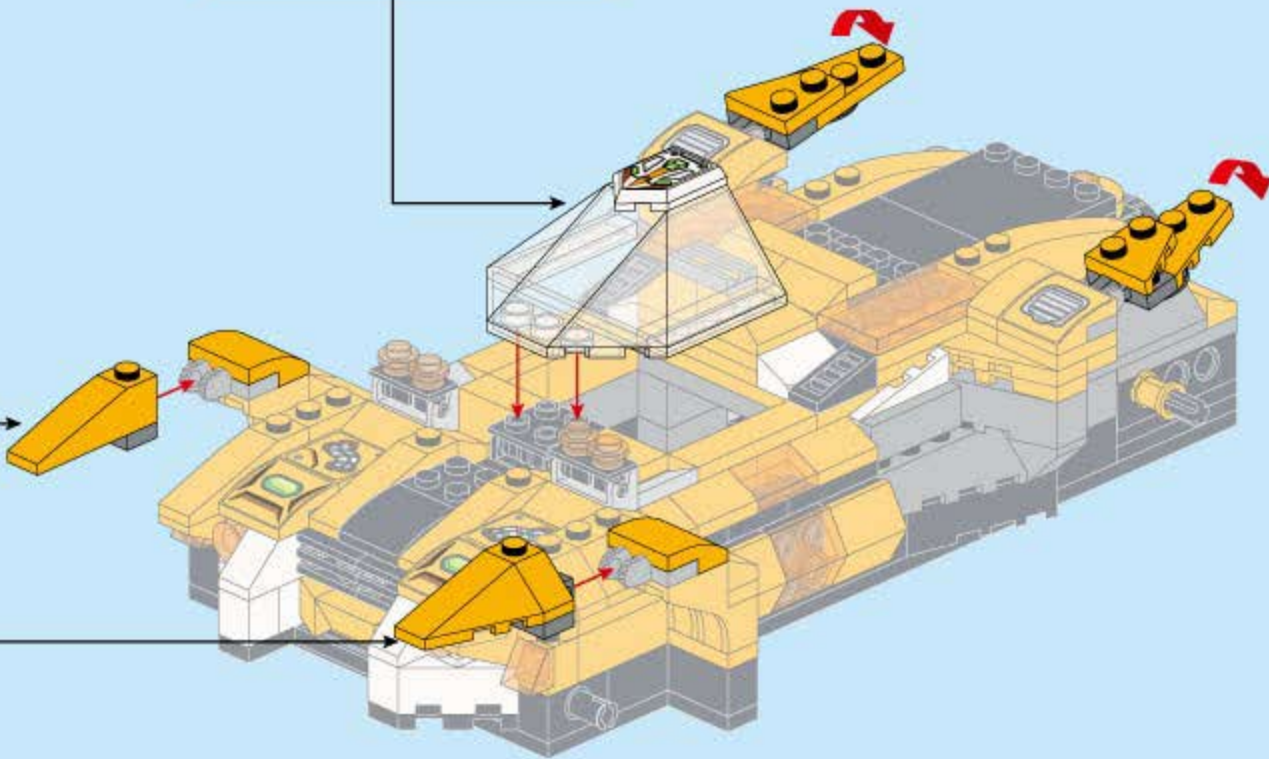
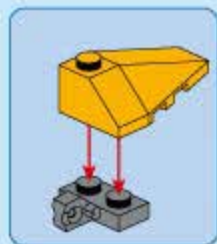
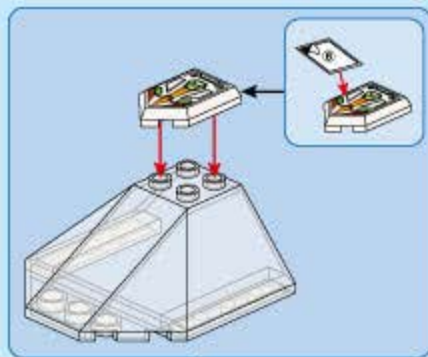
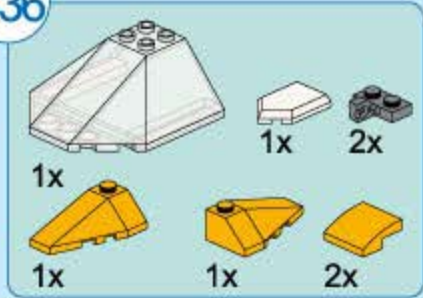
2x



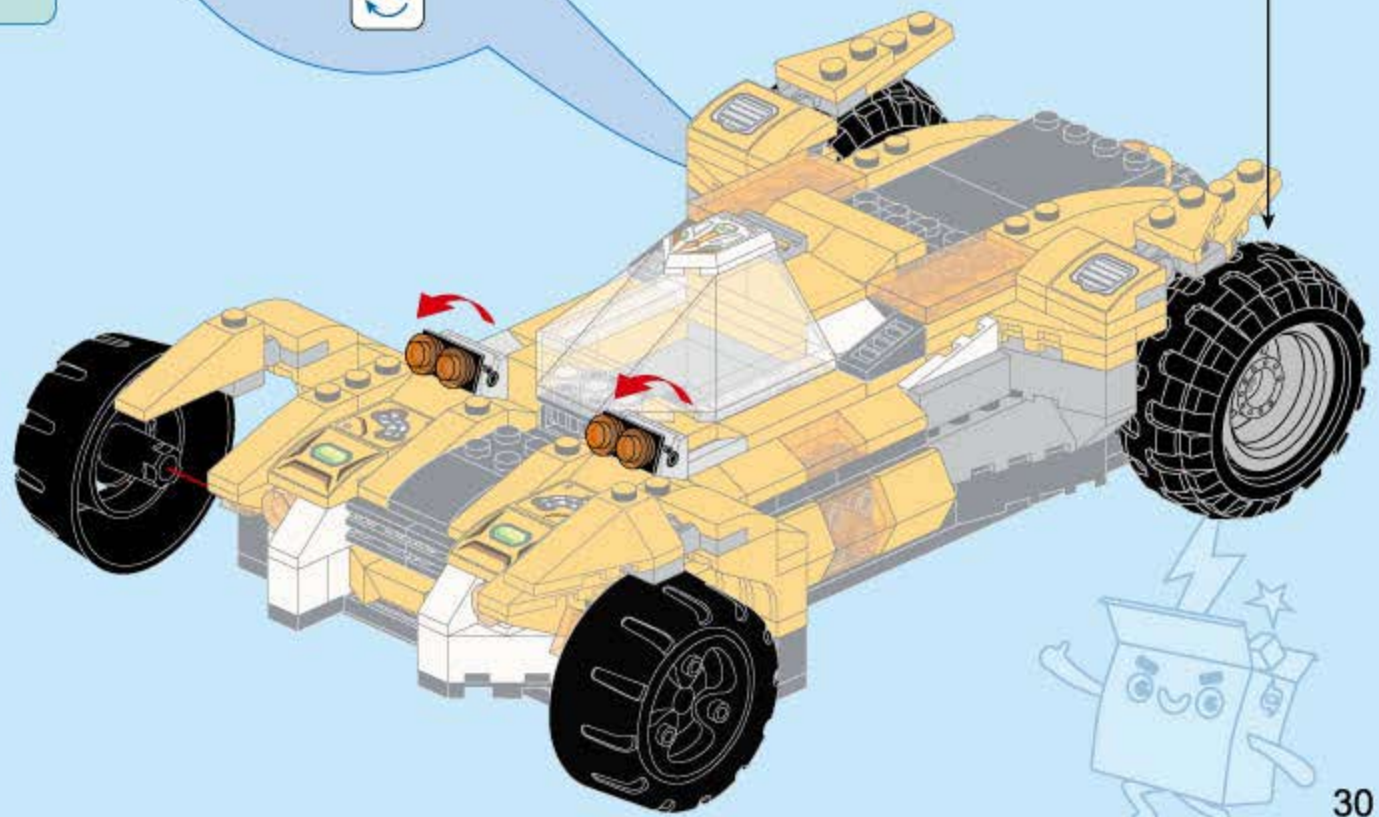
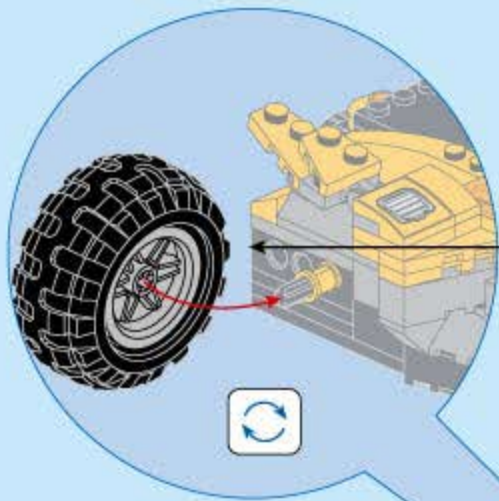
B35

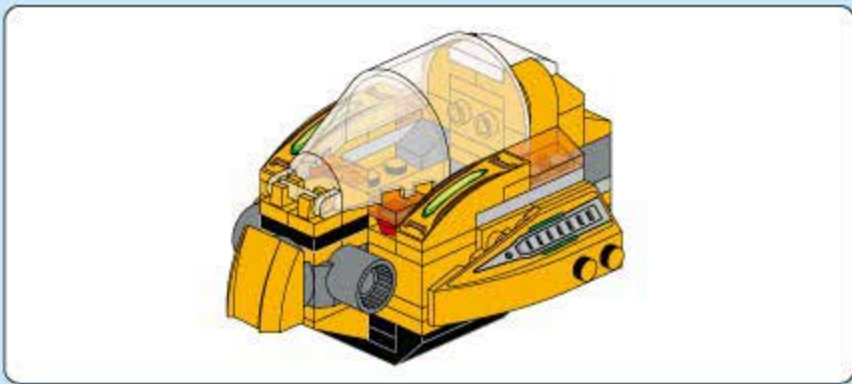


B36

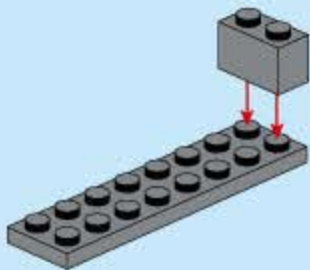
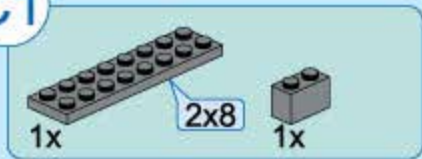


B37

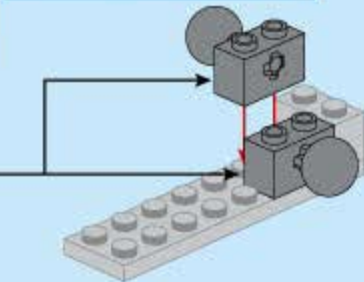
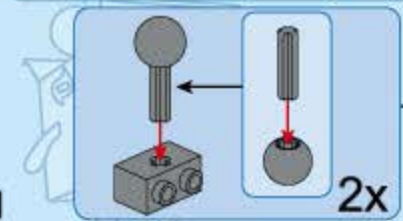




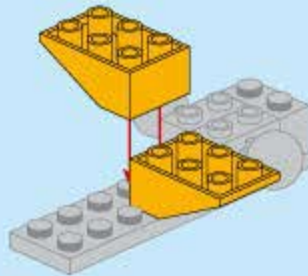
C1



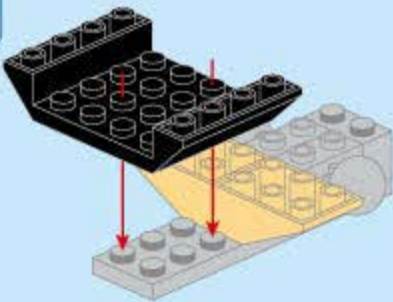
C2



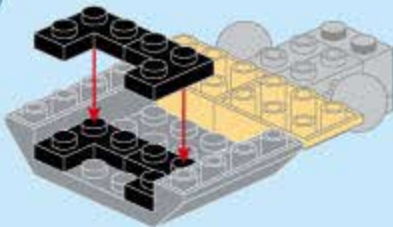
C3



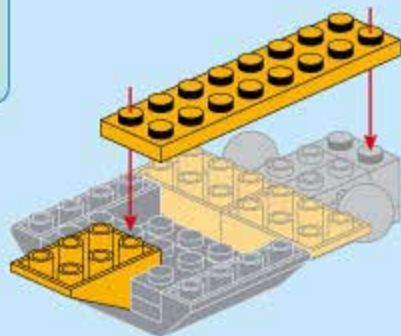
C4



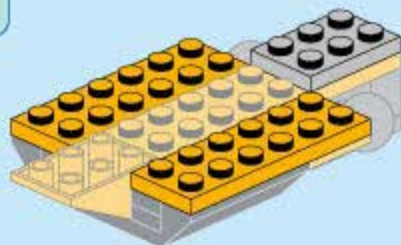
C5



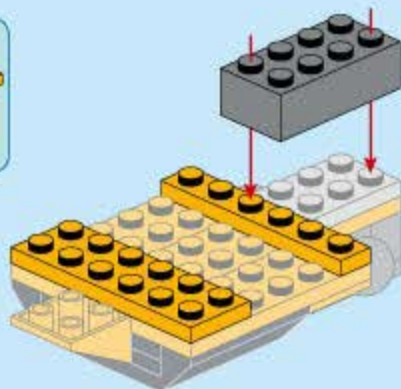
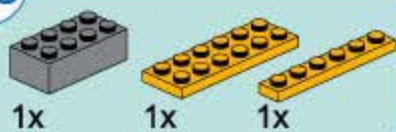
C6



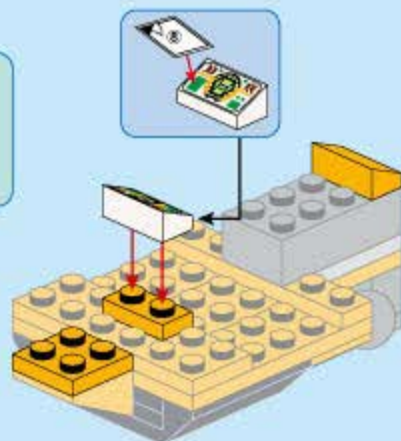
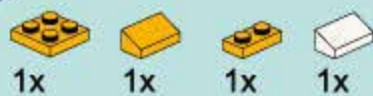
C7



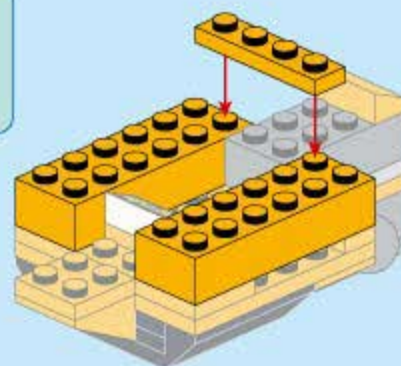
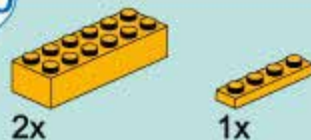
C8



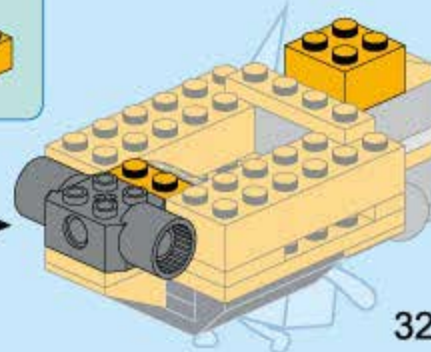
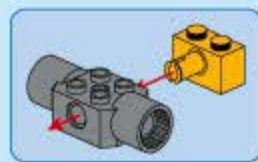
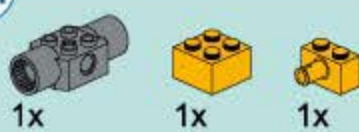
C9



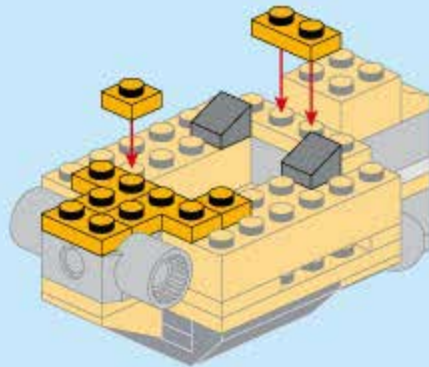
C10



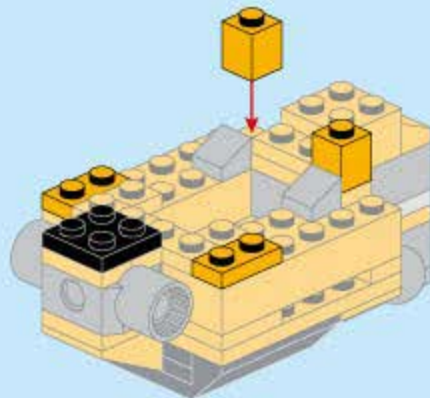
C11



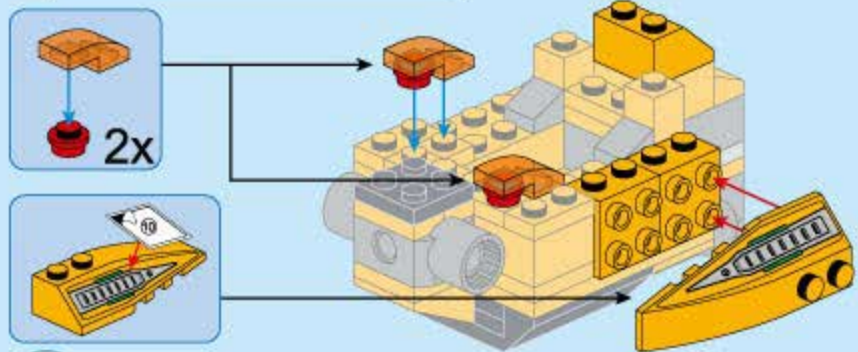
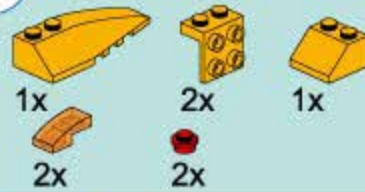
C12



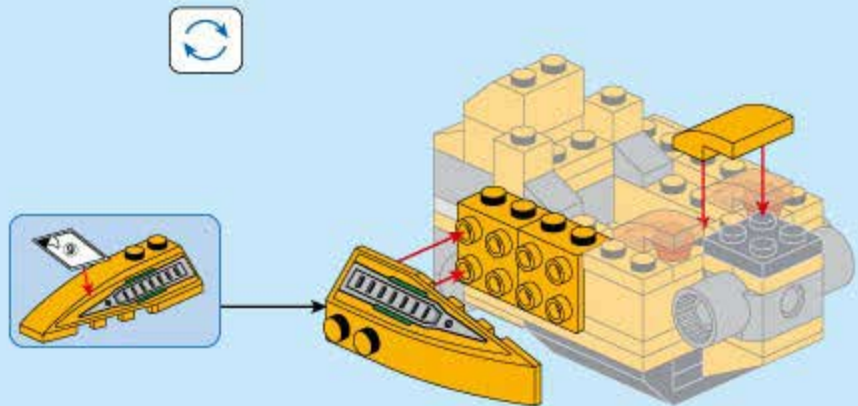
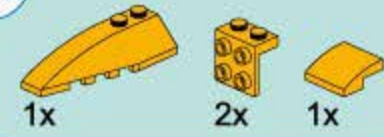
C13



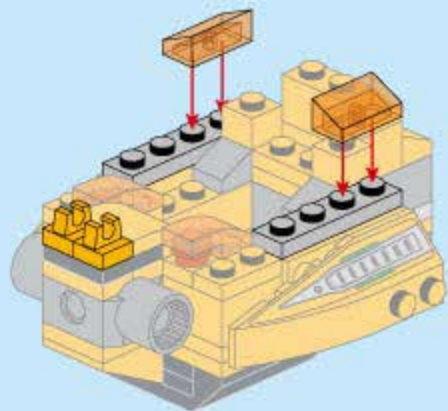
C14



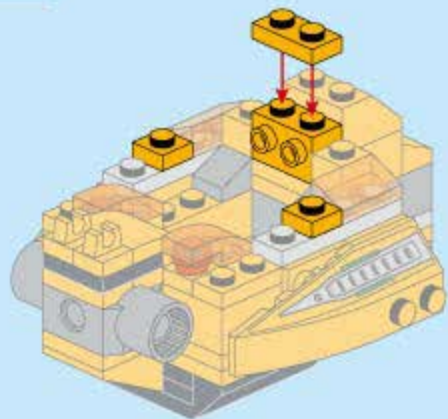
C15



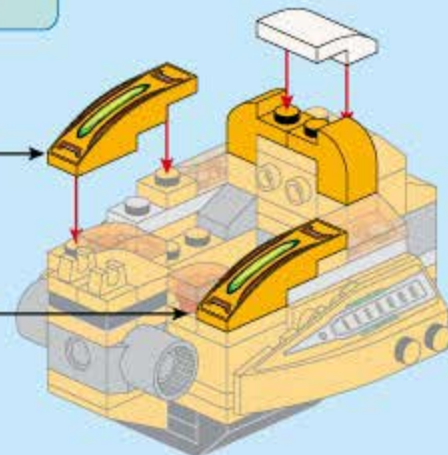
C16



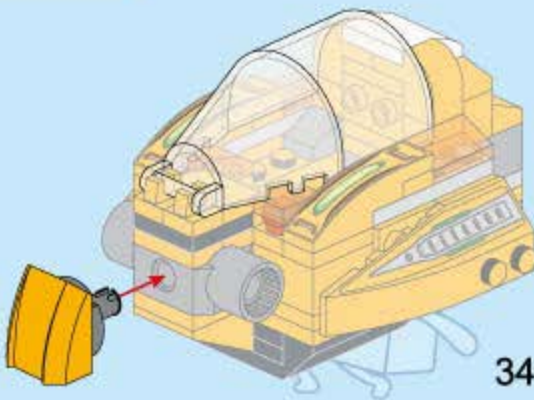
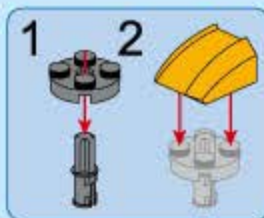
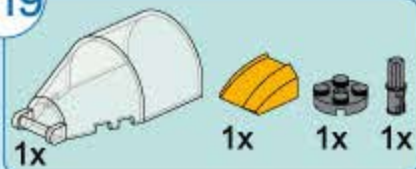
C17



C18

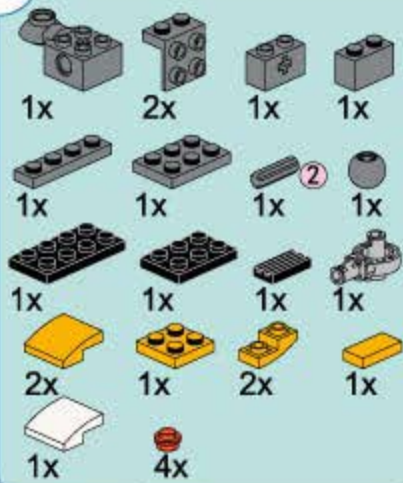



C19



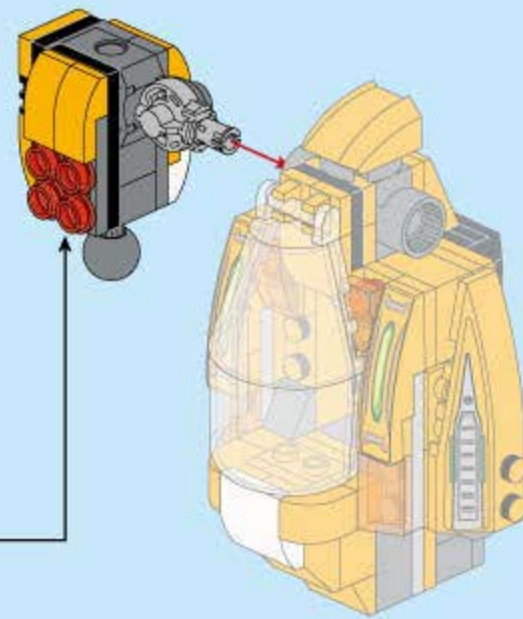
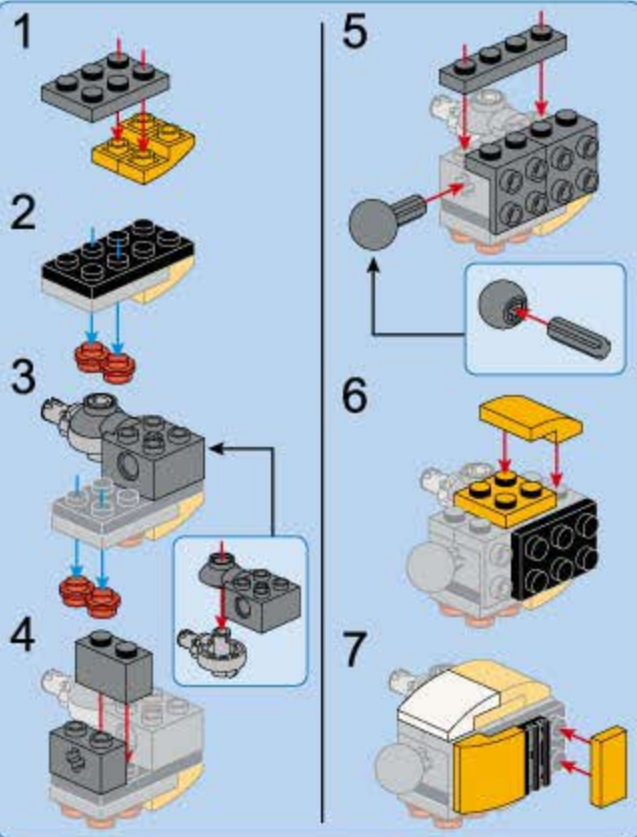


C20



 ② **1:1**

35



C21

- 1x 1x 1x 1x
- 2x 2x 1x 1x
- 1x 1x 1x 1x
- 1x 1x 1x 1x
- 2x 1x 2x 1x
- 1x 4x

2 1:1

1 2 3

4 5

6 7 8

Detailed description of assembly steps 1-8:

Step 1: A grey 1x4 Technic brick with 4 pins is placed on a yellow 1x4 Technic plate with 4 pins.

Step 2: A black 1x4 Technic brick with 4 pins is placed on top of the grey brick. Two red 2-way Technic pins are inserted into the second and third holes of the black brick.

Step 3: A grey 1x4 Technic brick with 4 pins and a grey 1x2 Technic brick with a motor are placed on top of the black brick. The two red pins from step 2 are inserted into the second and third holes of the grey brick. An inset shows a grey 1x2 Technic brick with a motor being inserted into the top of the grey brick.

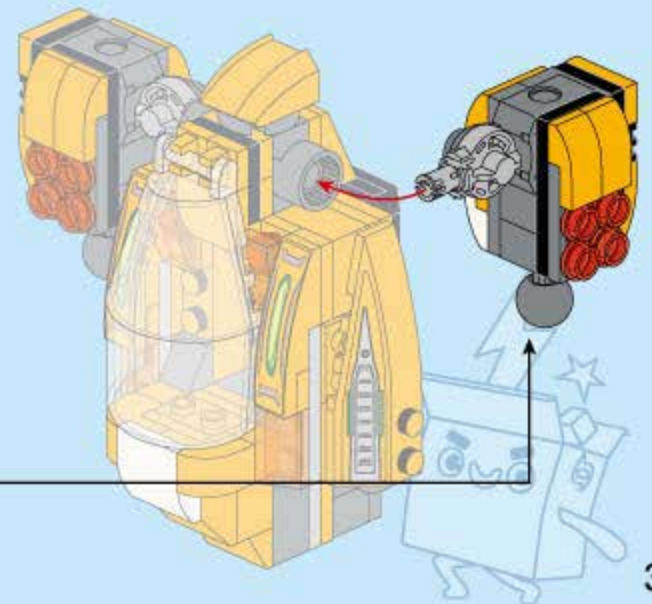
Step 4: A grey 1x2 Technic brick with a motor is placed on top of the grey brick. A red pin is inserted into the second hole. An inset shows a grey 1x2 Technic brick with a motor being inserted into the top of the grey brick.

Step 5: A grey 1x4 Technic brick with 4 pins and a grey 1x2 Technic brick with a motor are placed on top of the grey brick. A grey Technic pin is inserted into the second hole of the grey brick. An inset shows a grey Technic pin being inserted into the second hole of the grey brick.

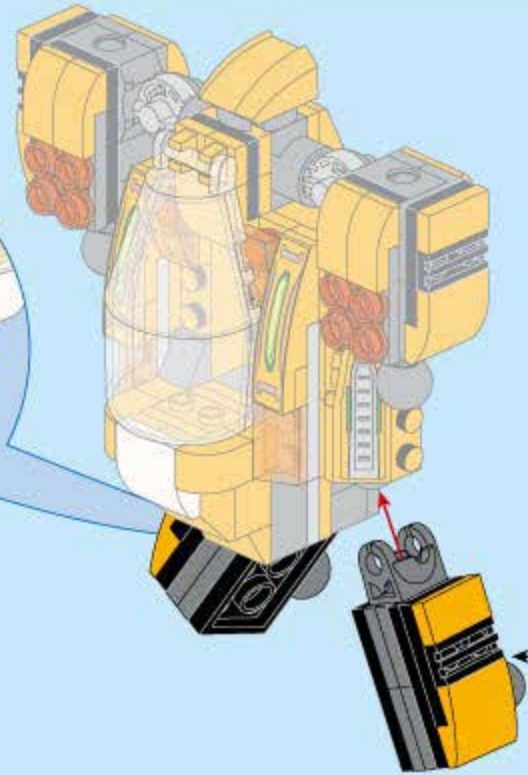
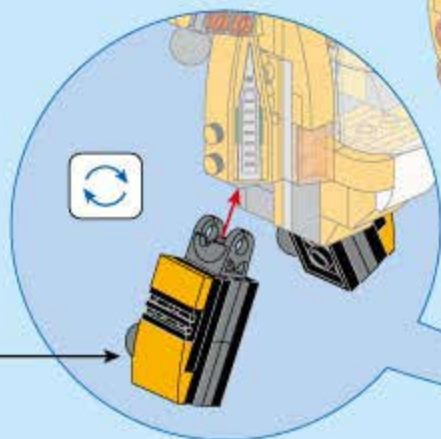
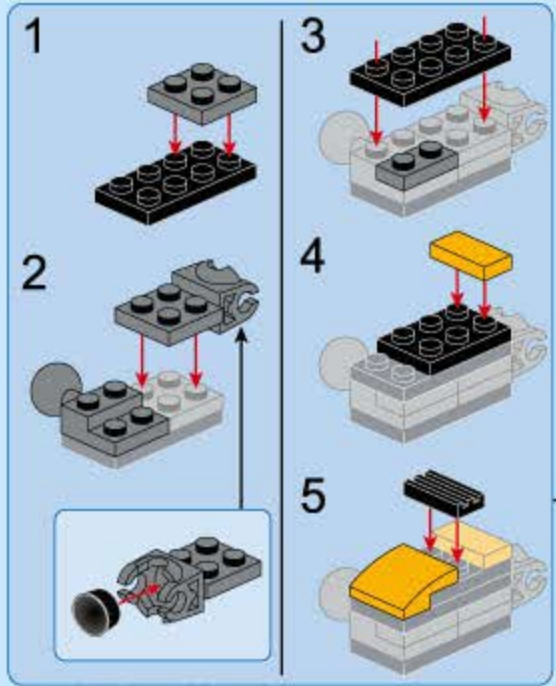
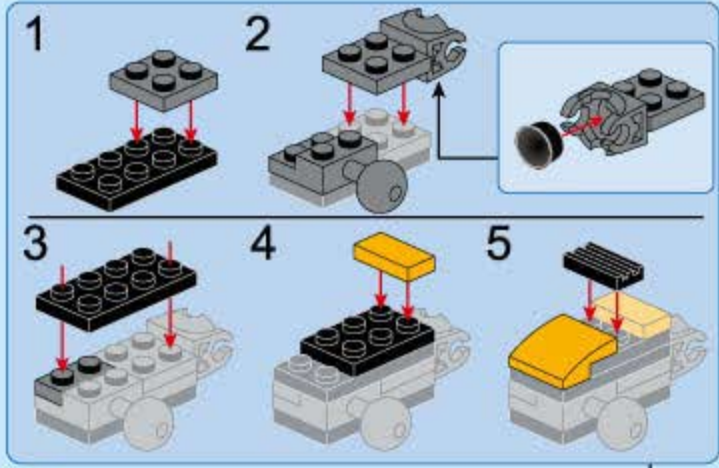
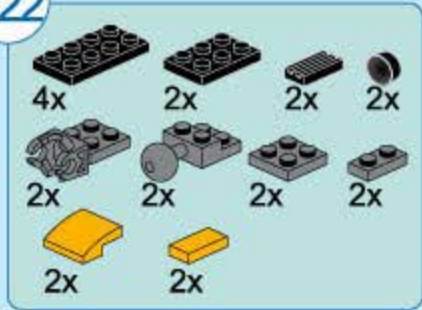
Step 6: A yellow 1x4 Technic plate with 4 pins is placed on top of the grey brick. A red pin is inserted into the second hole. An inset shows a red pin being inserted into the second hole of the grey brick.

Step 7: A yellow 1x4 Technic plate with 4 pins is placed on top of the grey brick. A red pin is inserted into the second hole. An inset shows a red pin being inserted into the second hole of the grey brick.

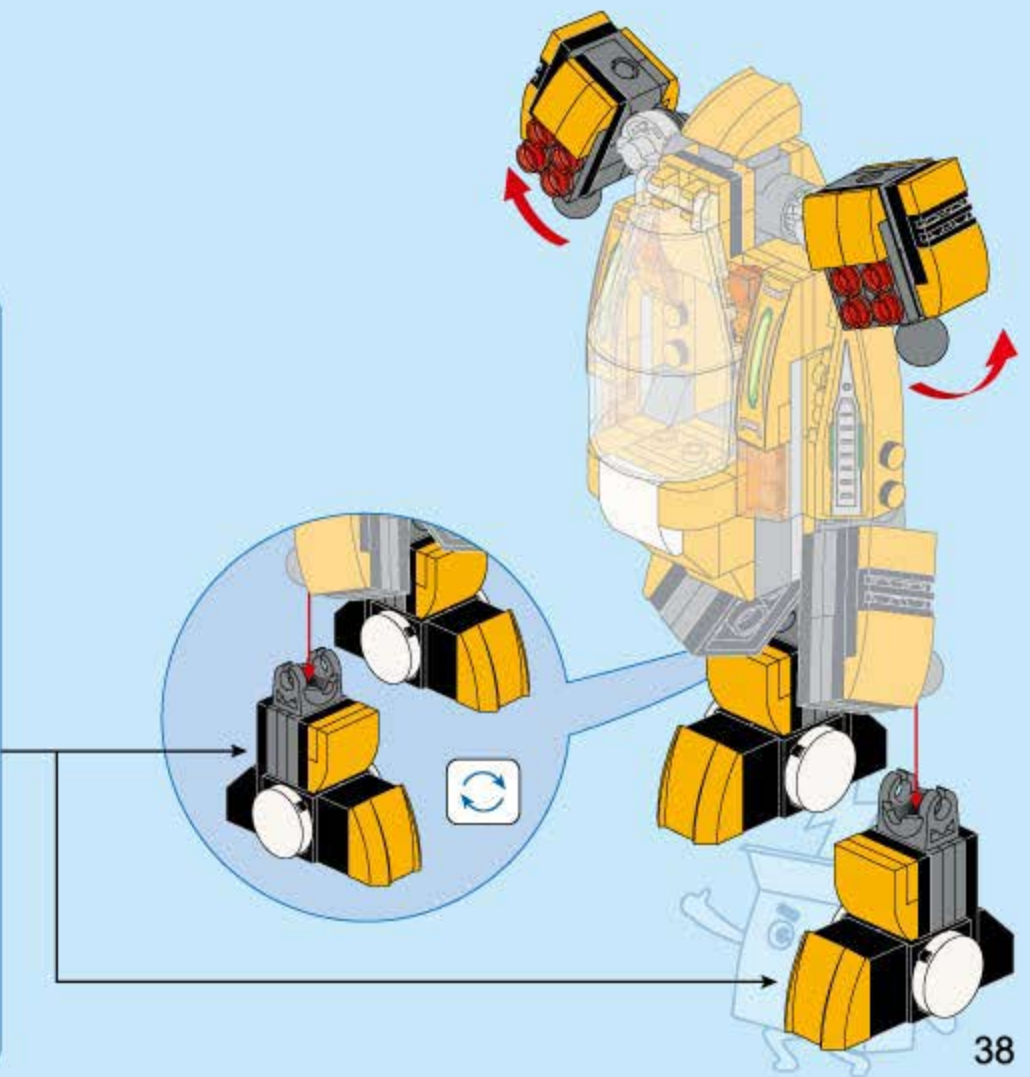
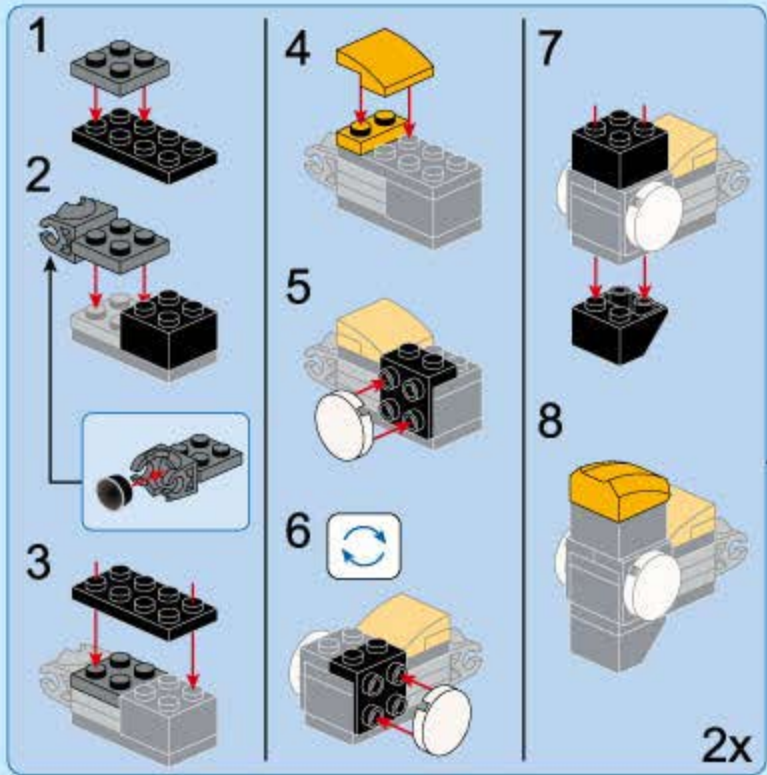
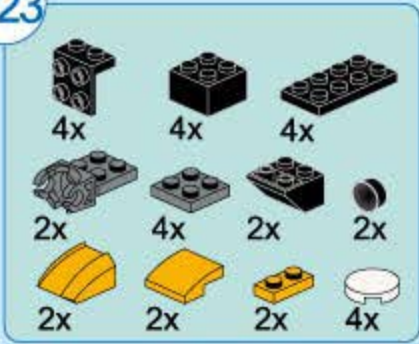
Step 8: A yellow 1x4 Technic plate with 4 pins is placed on top of the grey brick. A red pin is inserted into the second hole. An inset shows a red pin being inserted into the second hole of the grey brick.



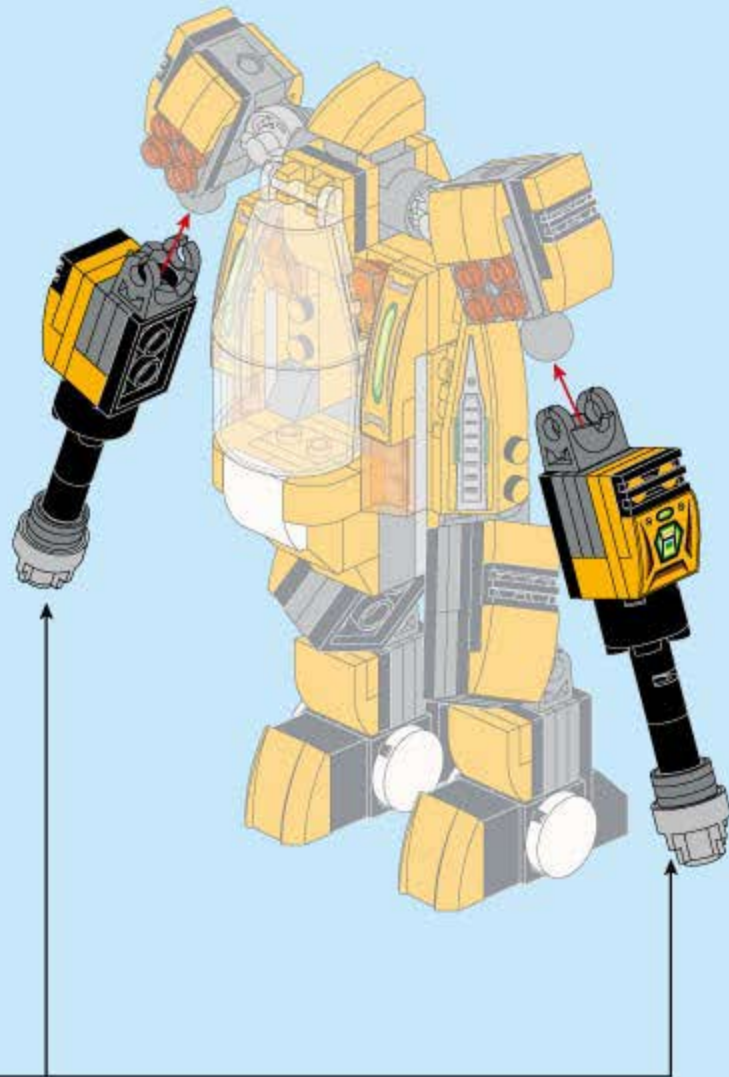
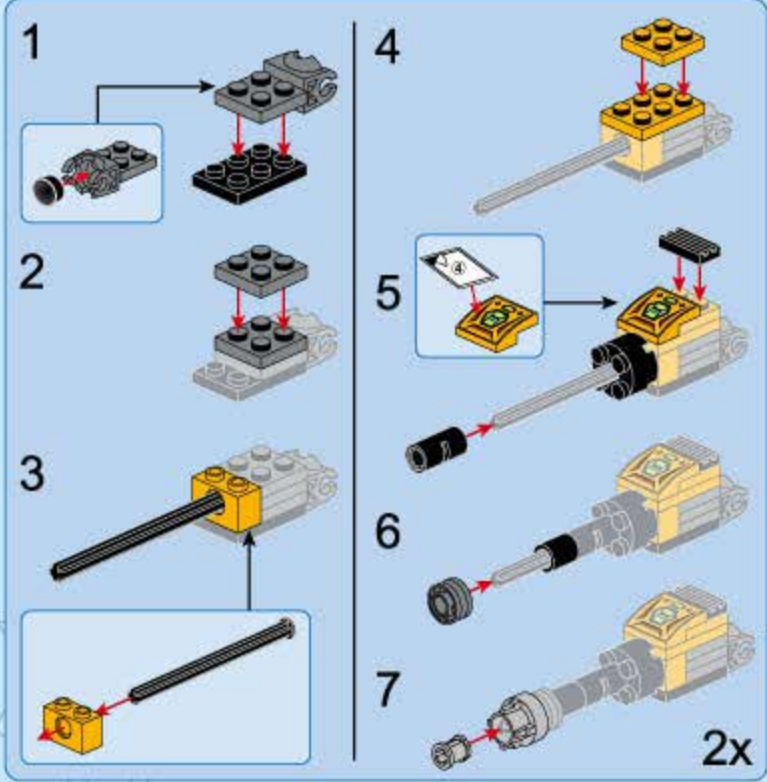
C22



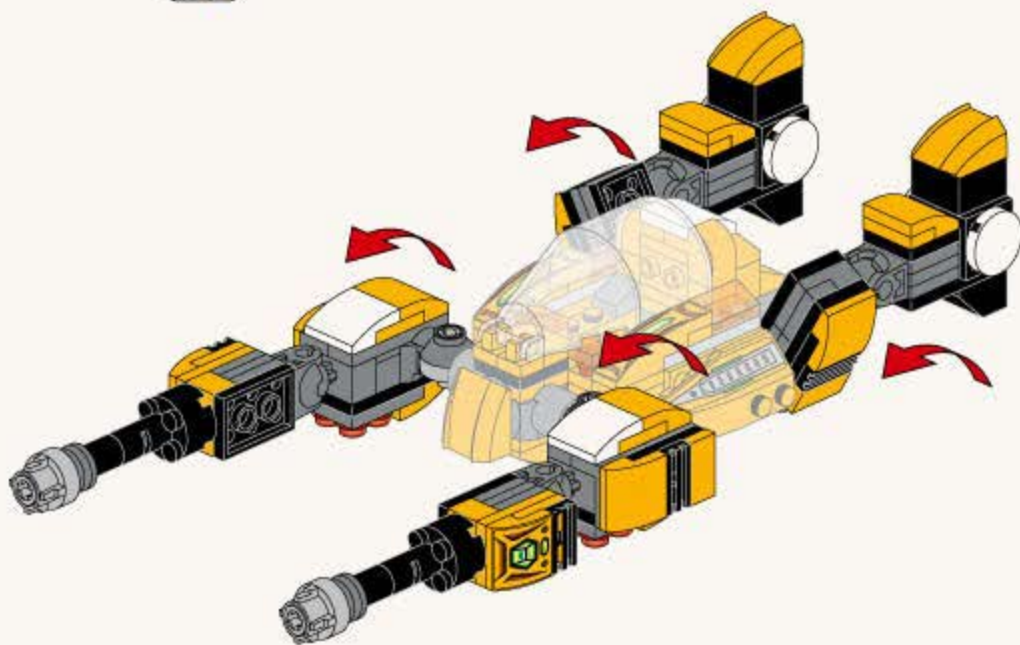
C23



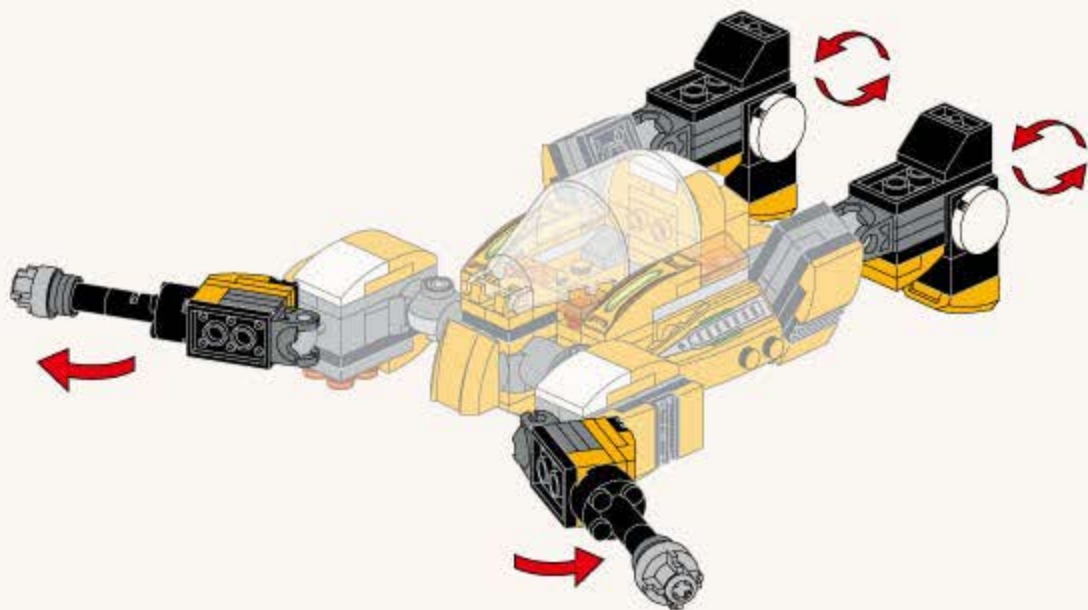
C24



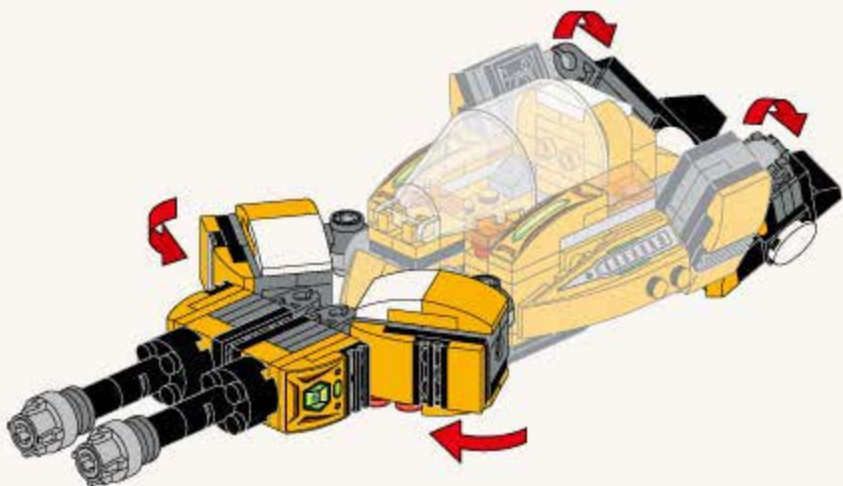
1

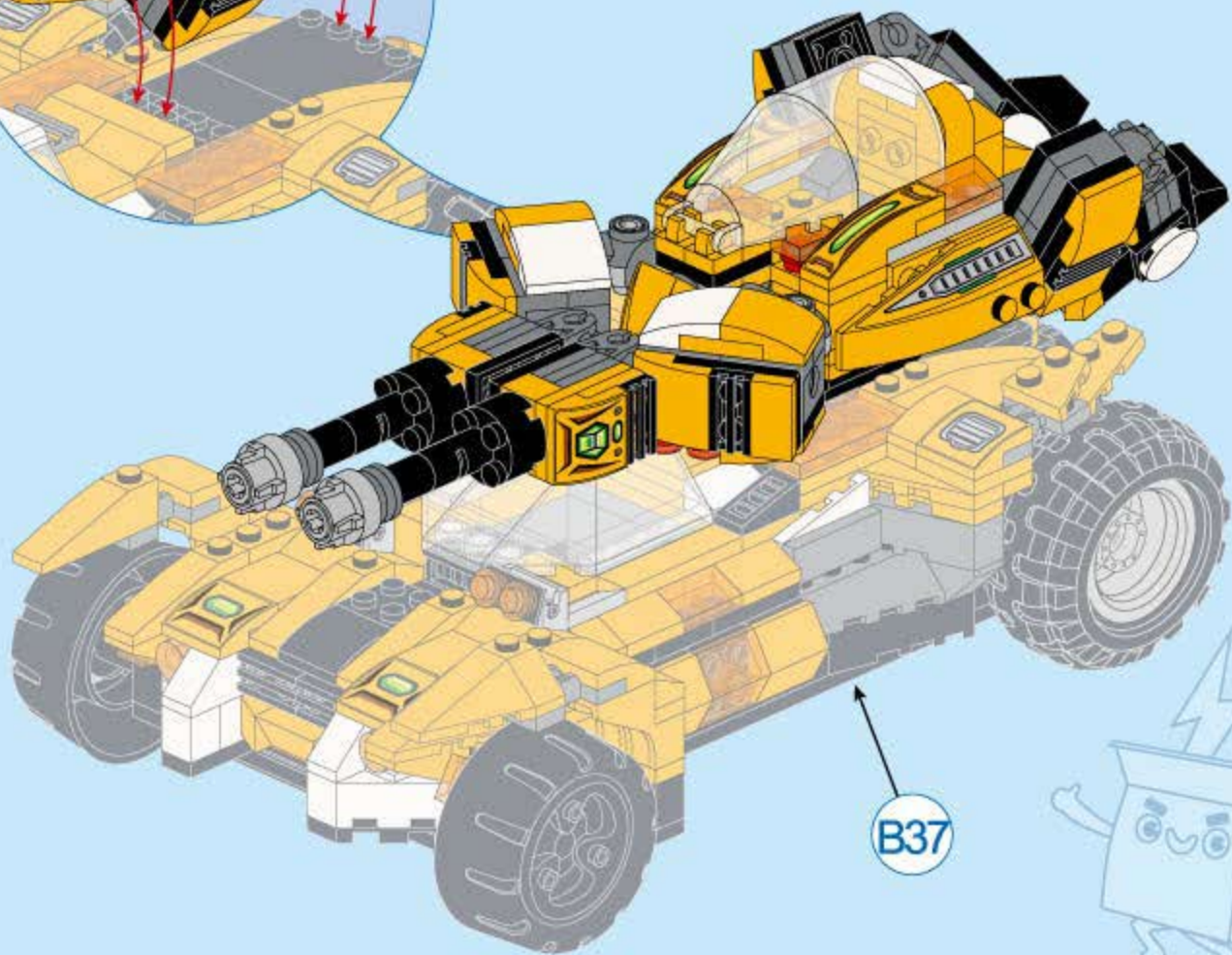
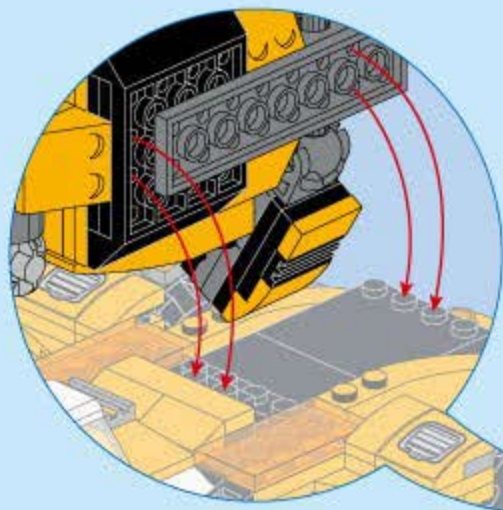


2



3





Qman

3404



3401-1
Darkness Laser Cannon



3401-2
Big Hammer Mecha



3401-3
Fire Red Motorcycle



3401-4
Ice Blue Combat Car



3402
Dark Shadow Roadster



3403
Howling Gate Jet



3404
Solid Rock Combined Battle Car



3405
Ice Shield Armoured Car



3406
Death Dragon Truck



3407
Swirling Flame Battle Car