



KYANITE SQUAD

2407

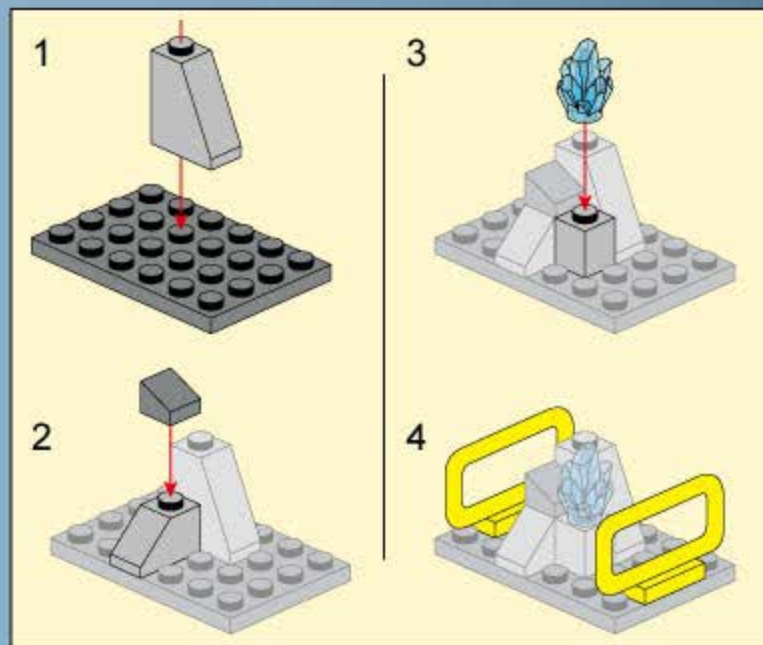
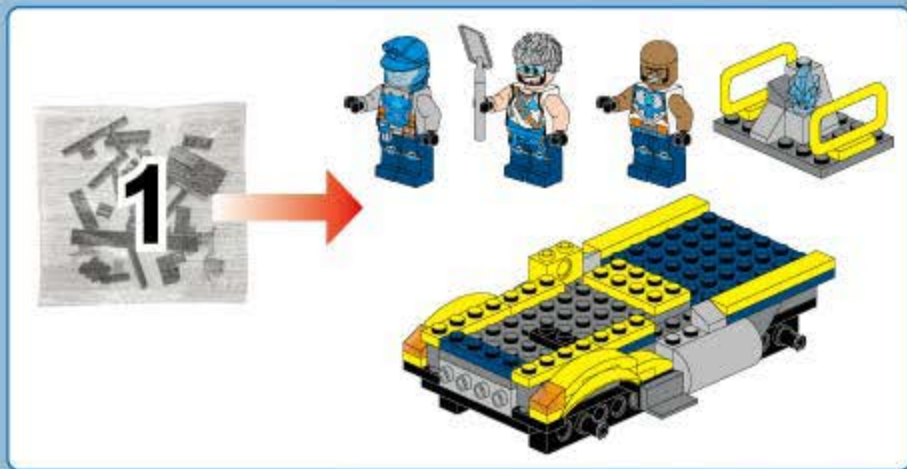
Ages: 6+

Minifigs: X3

PCS: 309

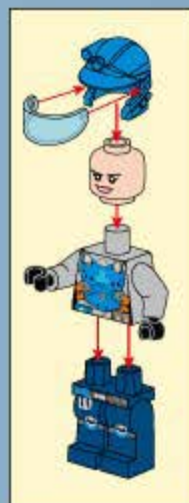
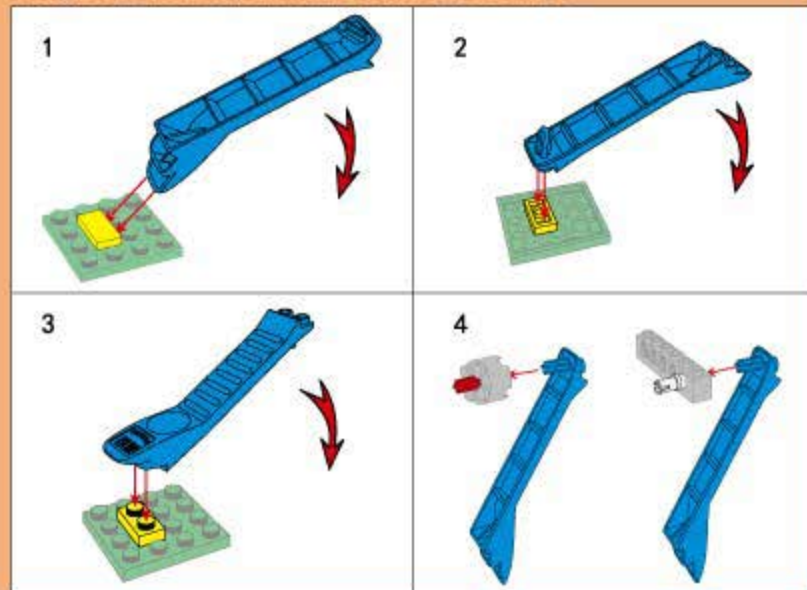


KYANITE TRANSPORTER

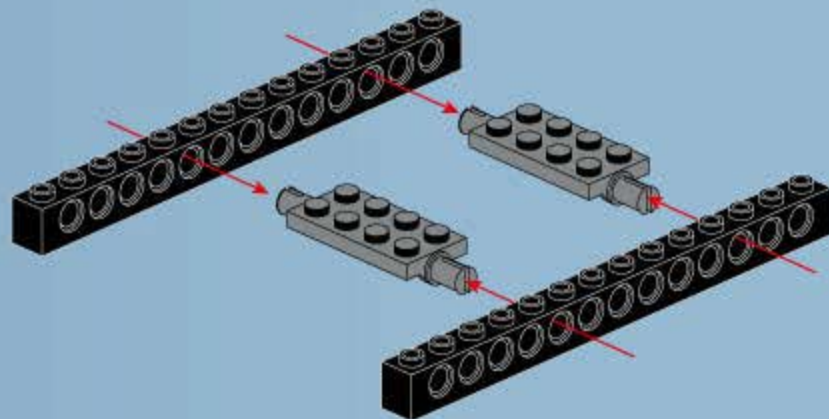
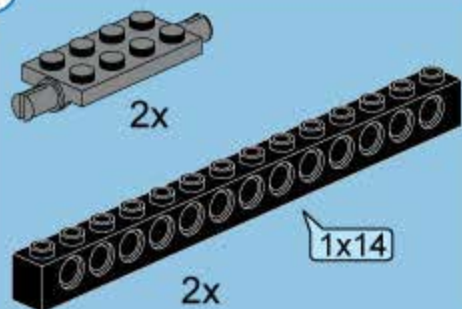


拆件器使用方法, 仅为示例

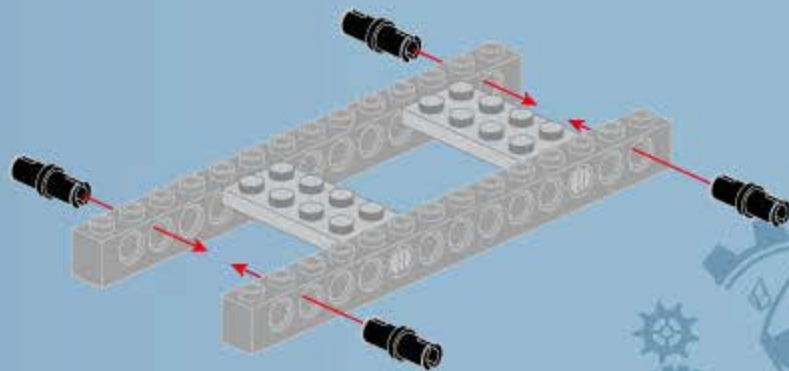
Usage of Brick Separator, Just for the sample



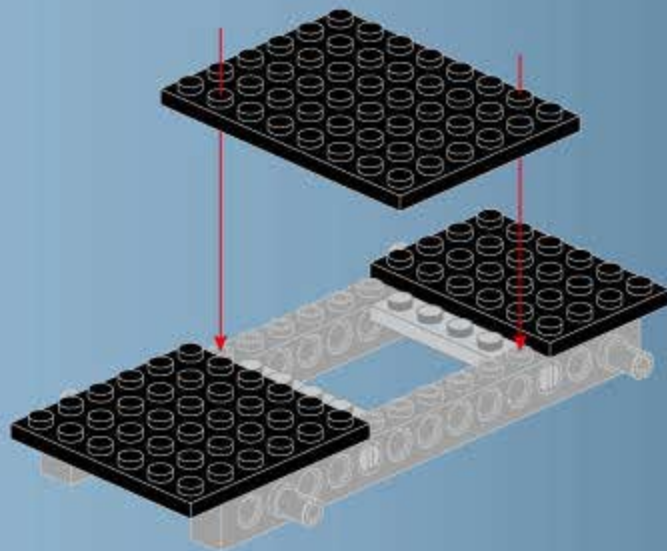
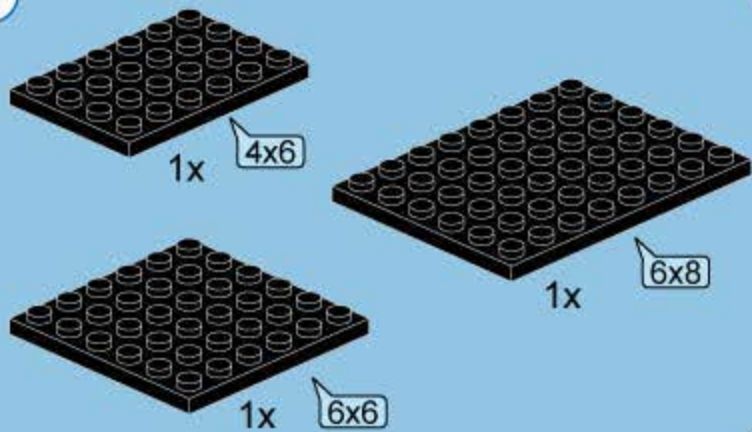
1



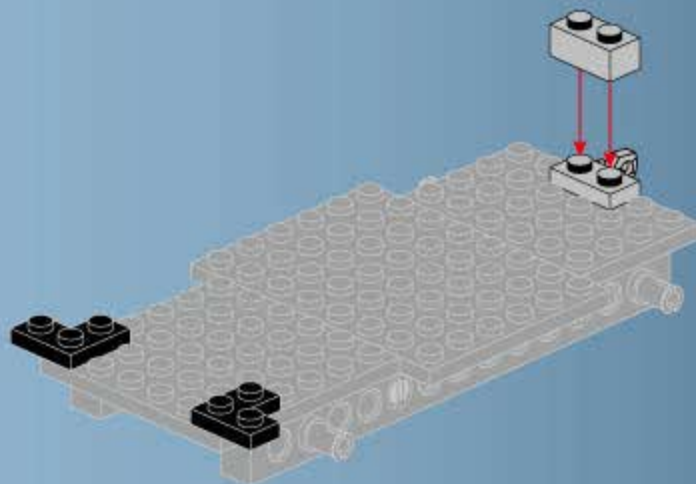
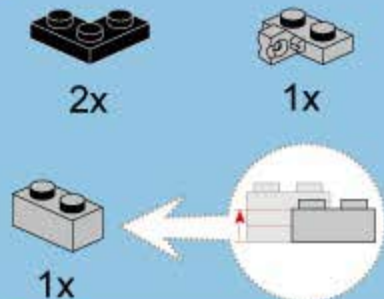
2



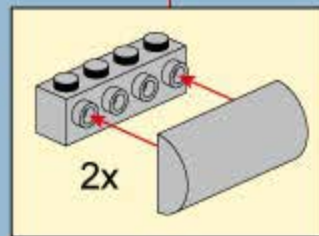
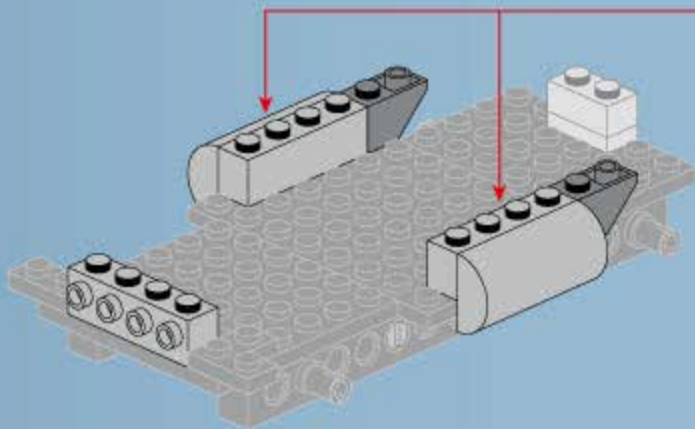
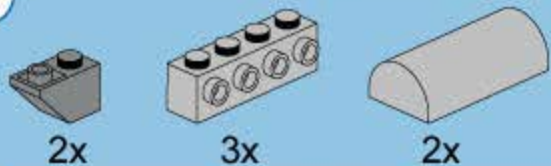
3



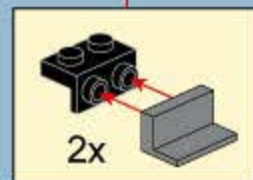
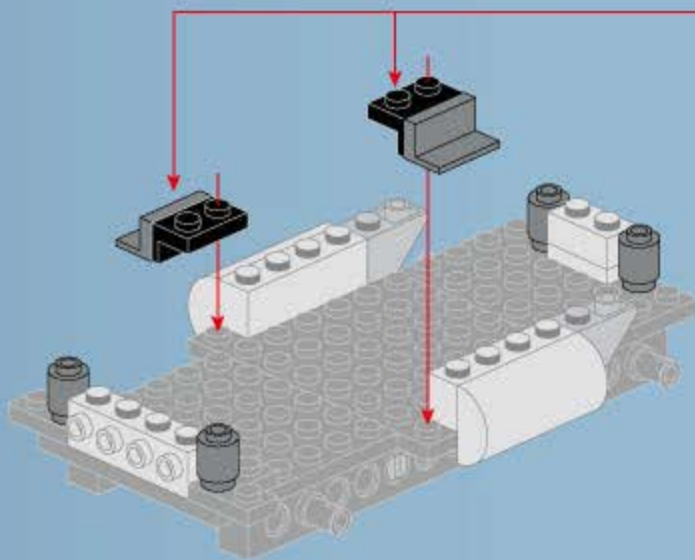
4

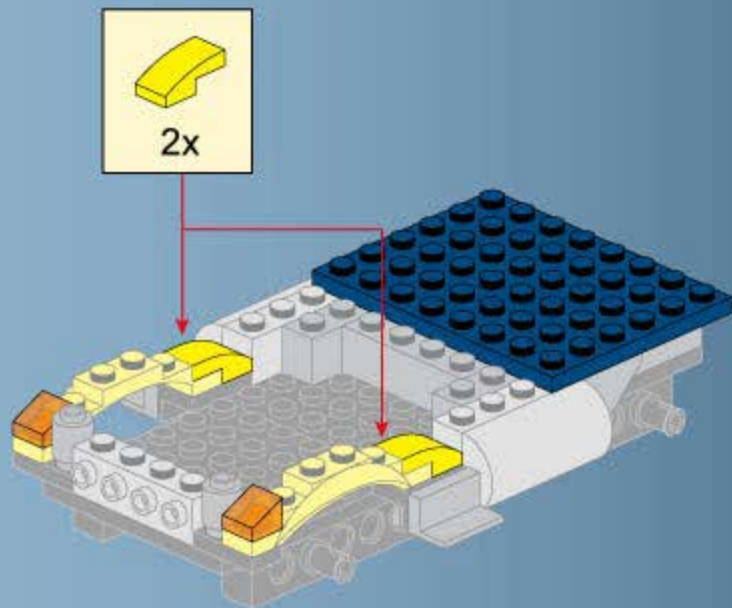
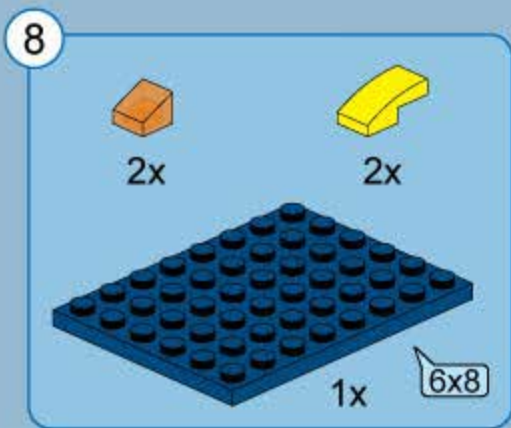
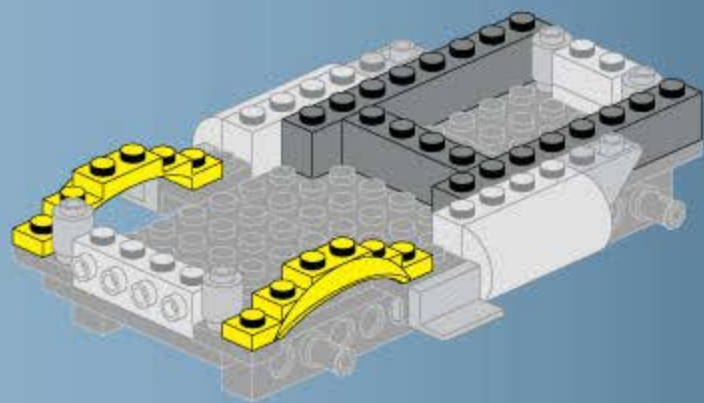
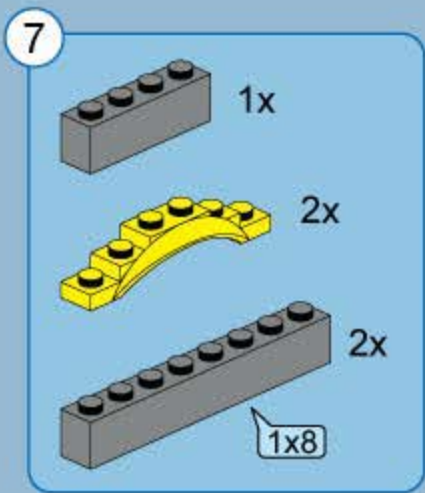


5

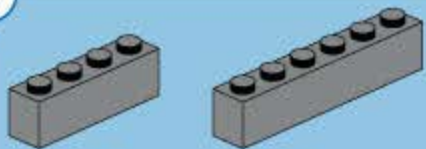


6



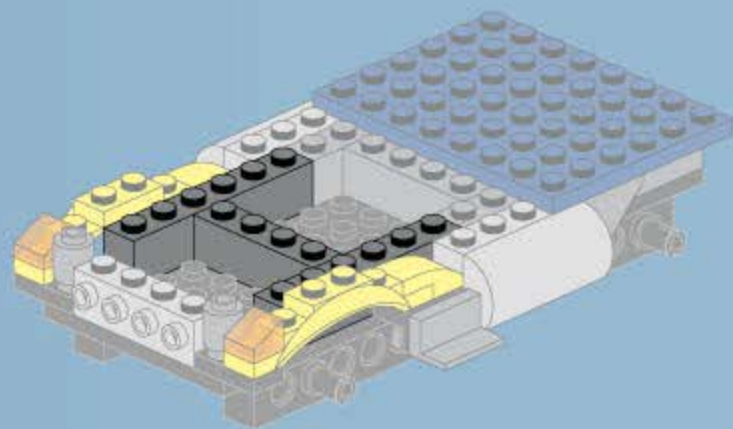


9

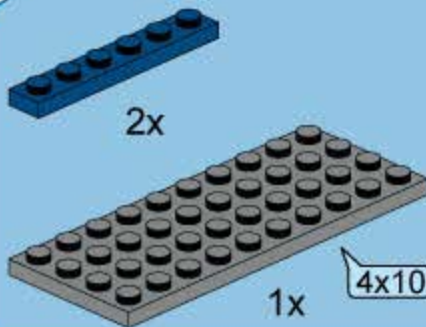


1x

2x



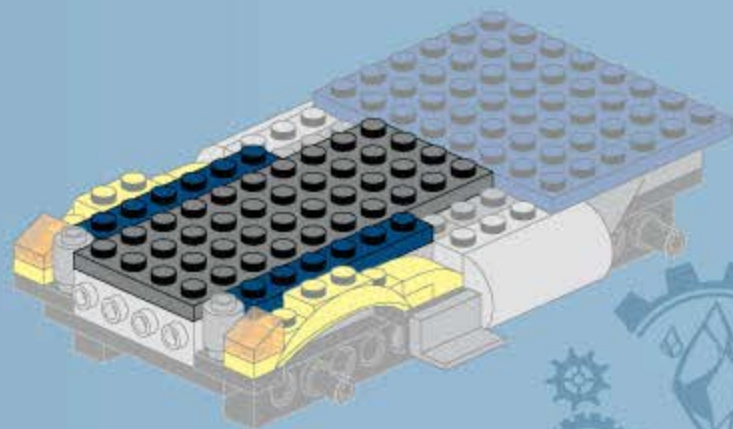
10

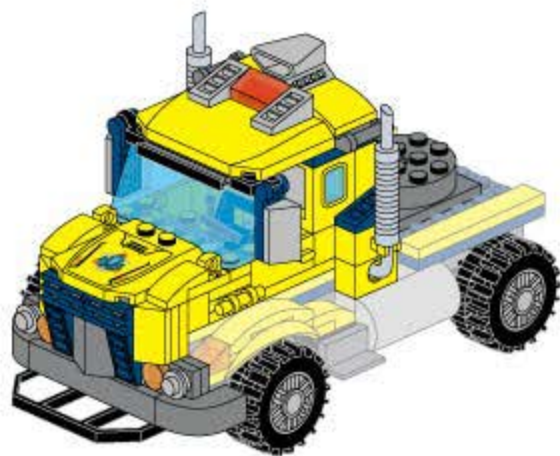


2x

1x

4x10





13



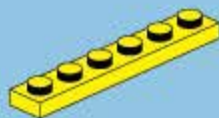
2x



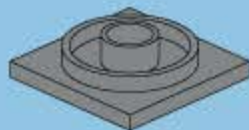
1x



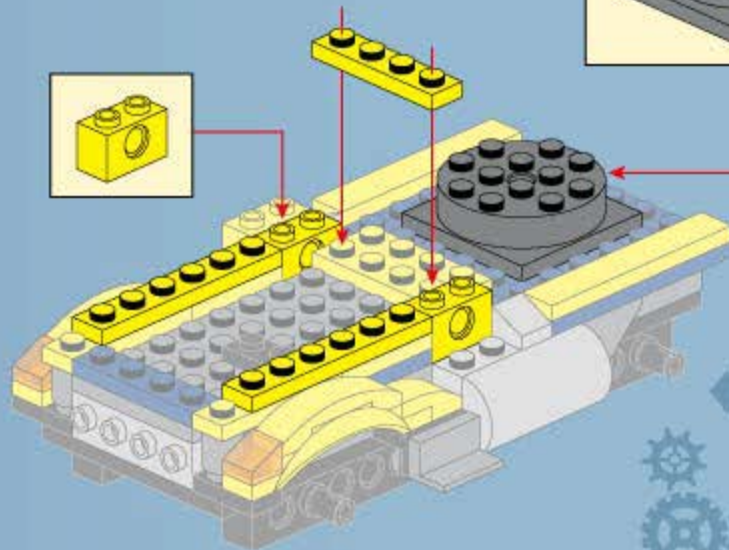
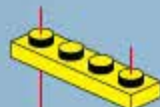
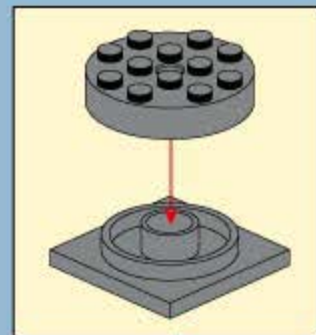
1x



2x



1x



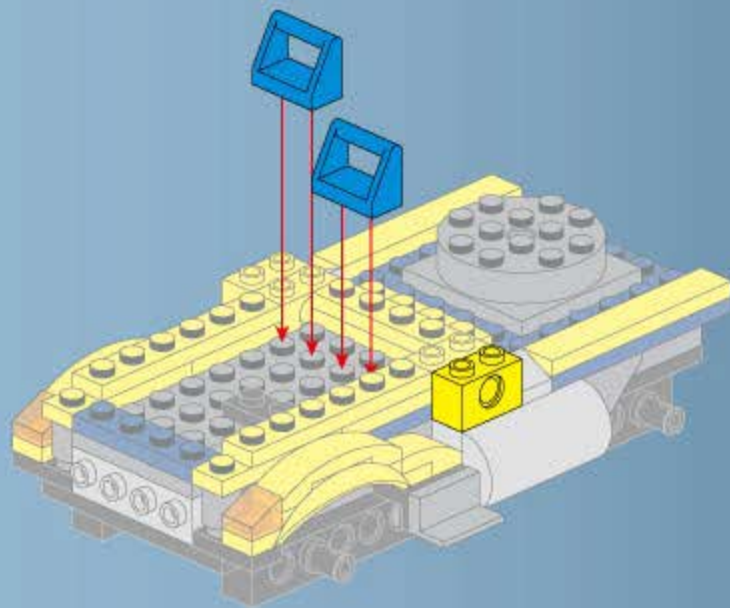
14



2x



1x



15



1x



1x



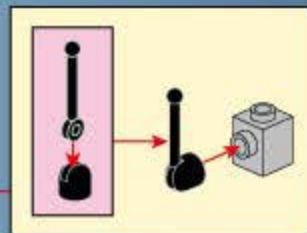
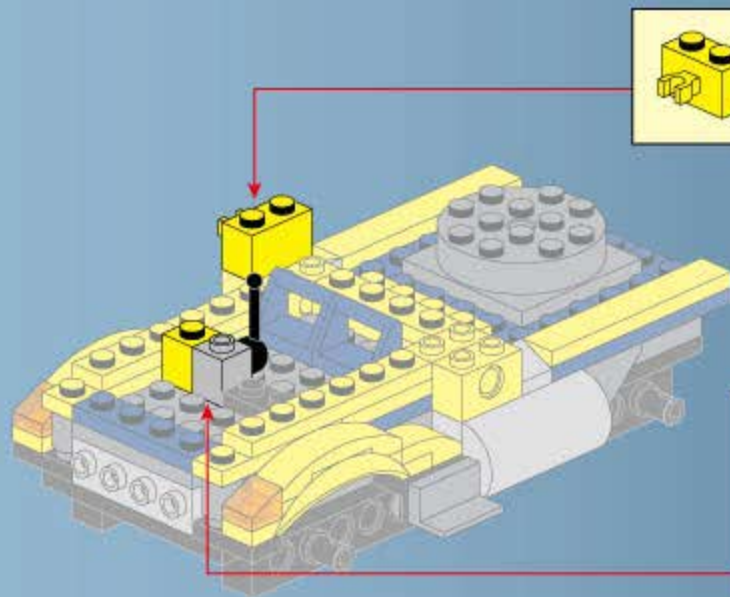
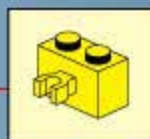
1x



1x



1x



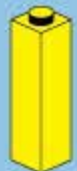
16



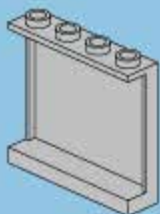
1x



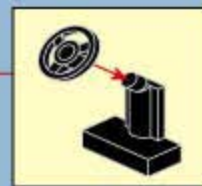
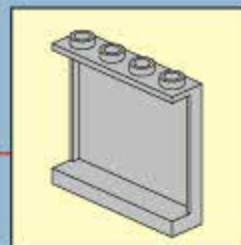
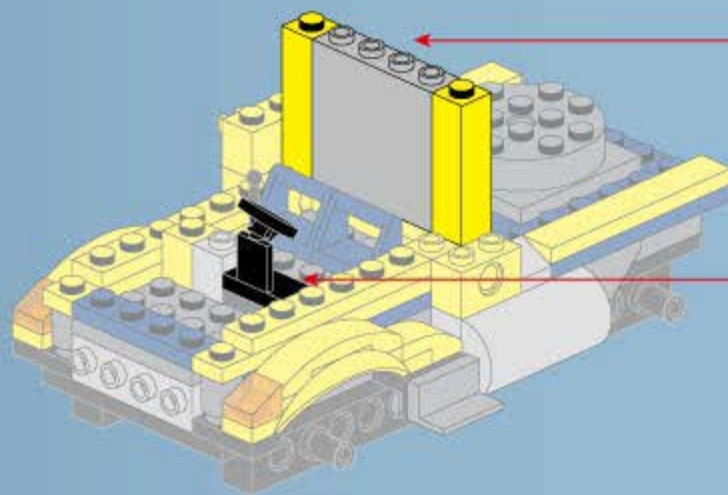
1x



2x



1x



17



2x



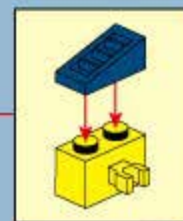
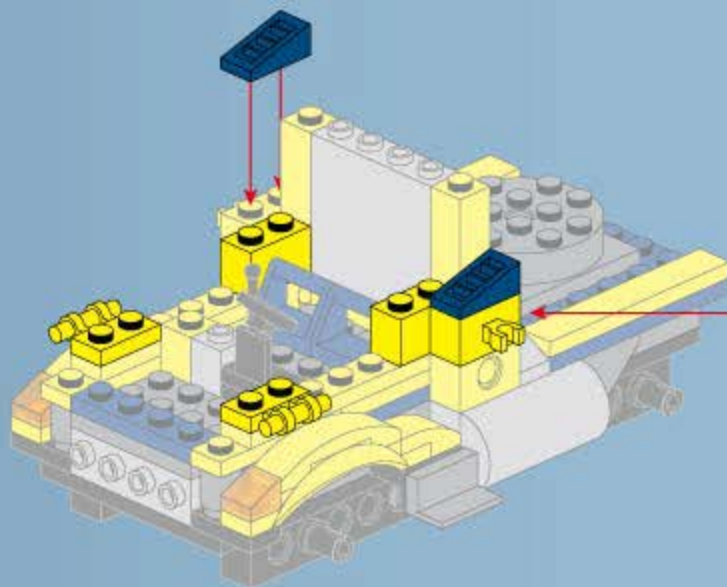
2x



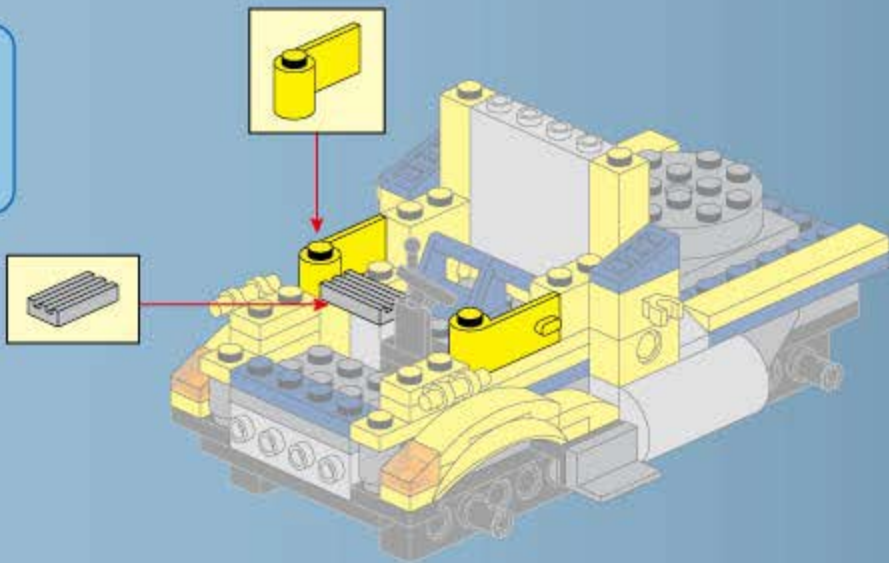
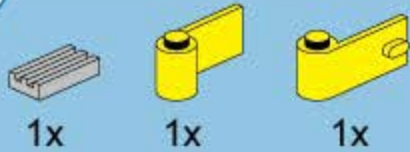
2x



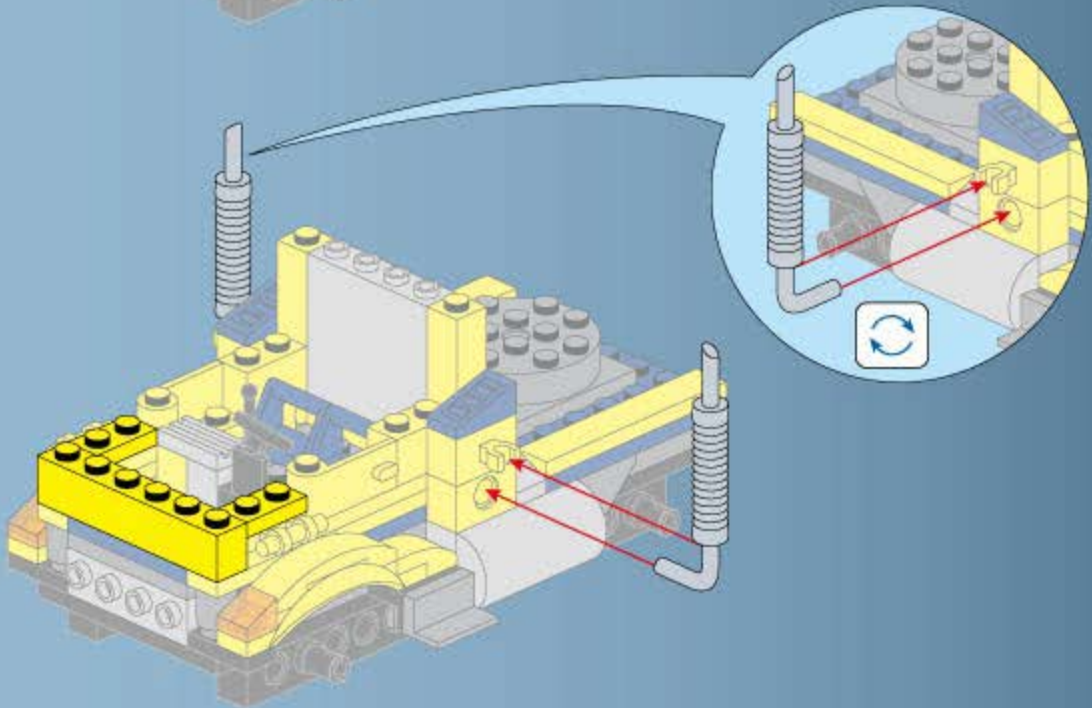
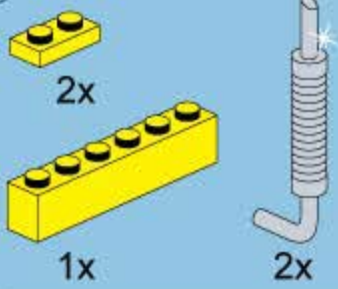
1x



18



19



20



2x



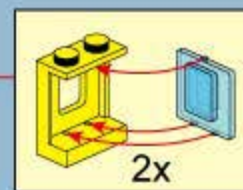
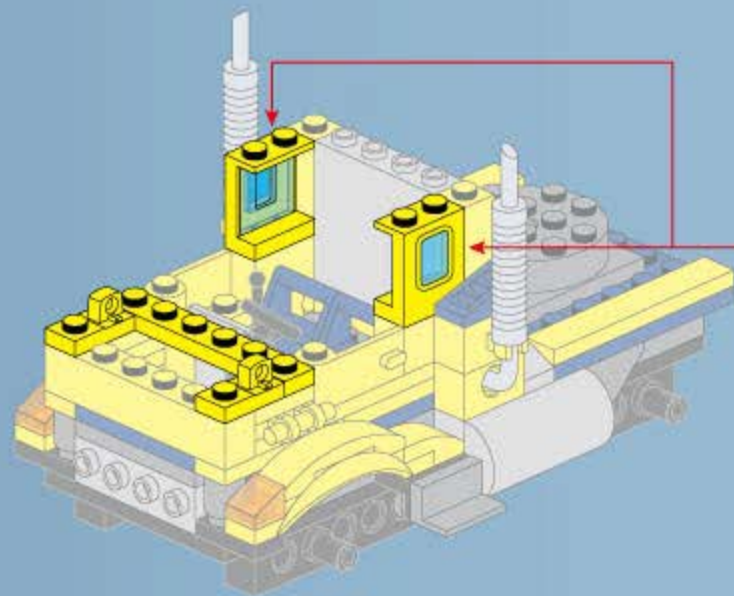
2x



2x



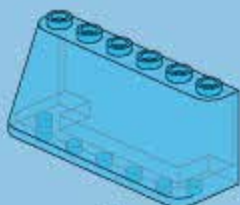
1x



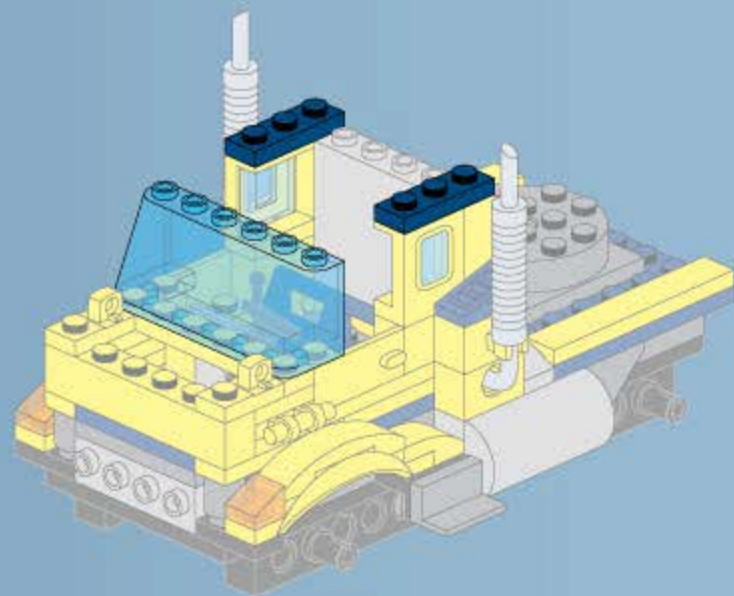
21

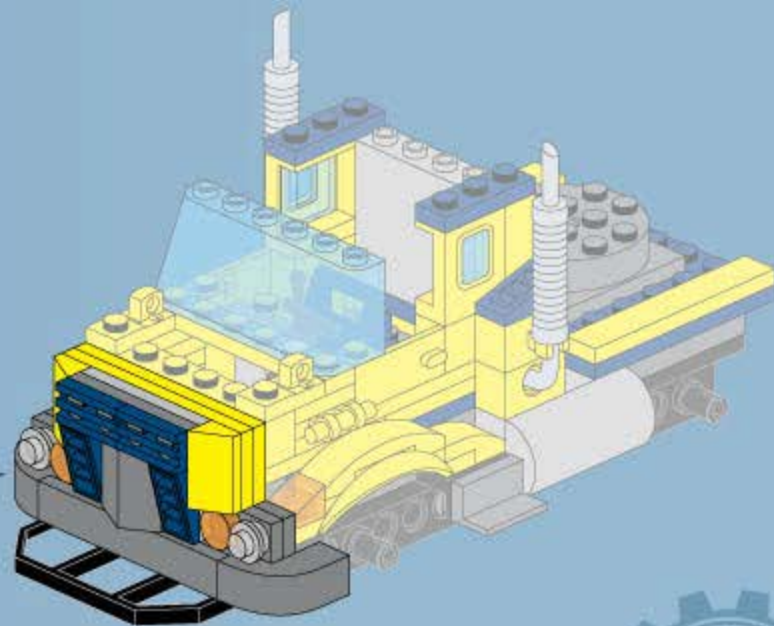
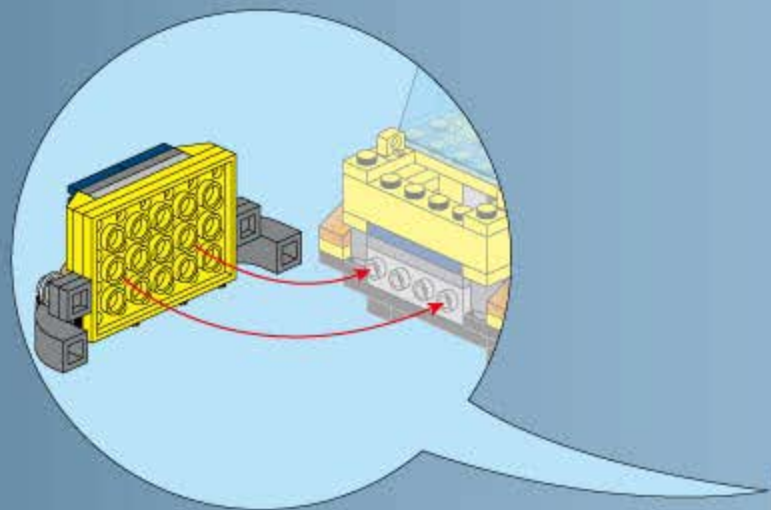


2x



1x





23



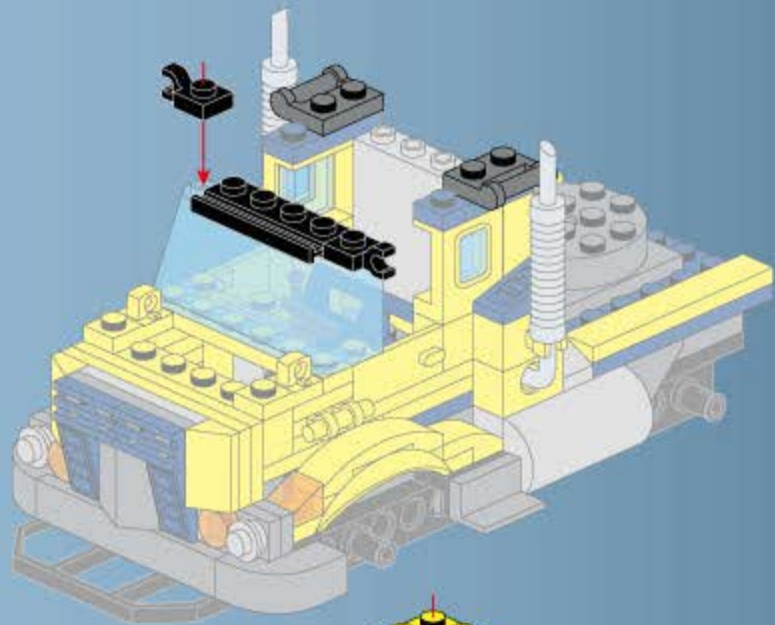
2x



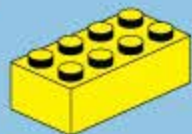
2x



1x



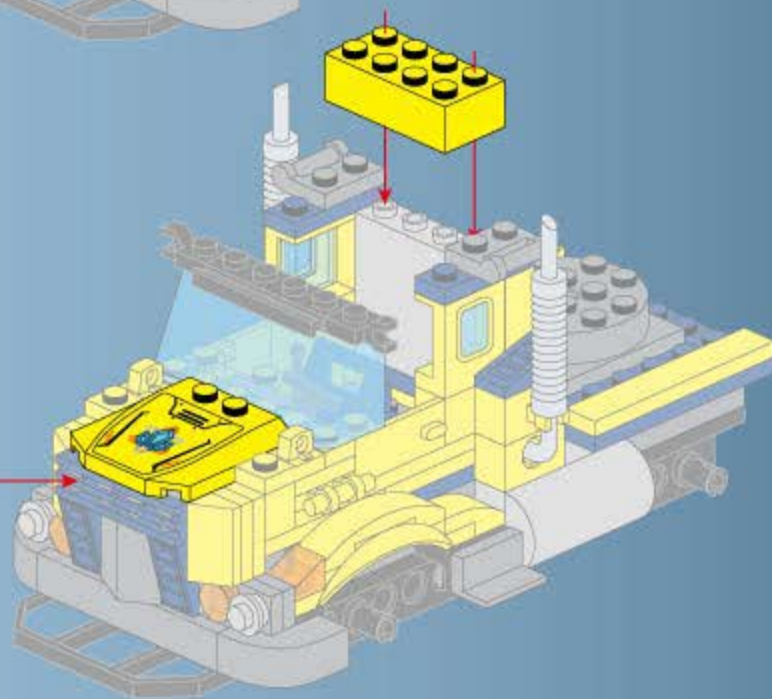
24



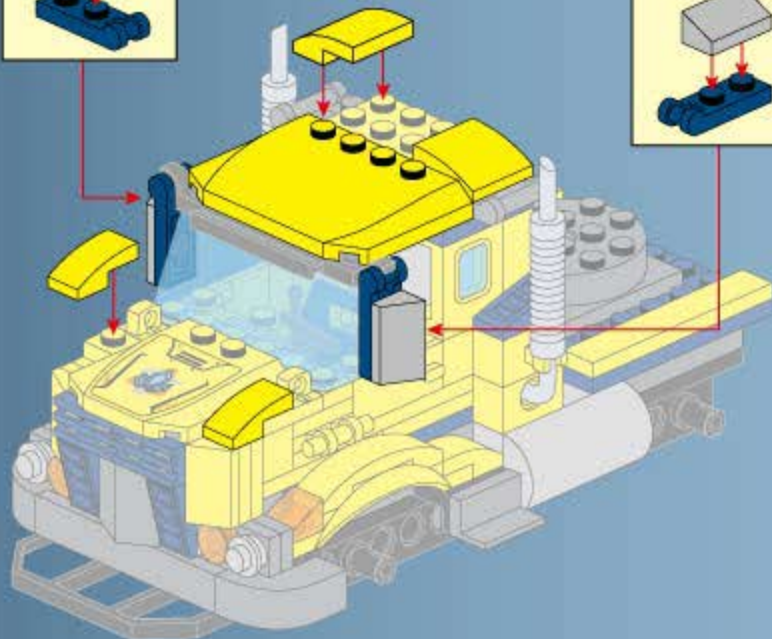
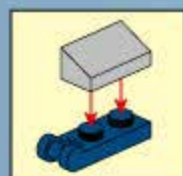
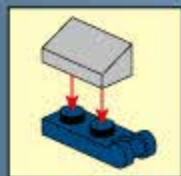
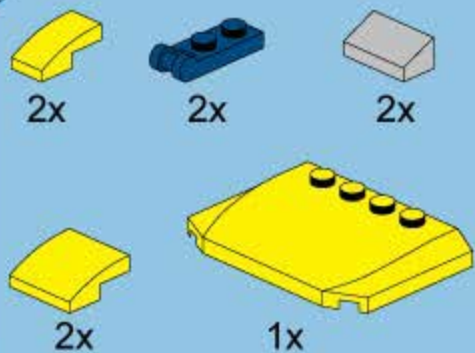
1x



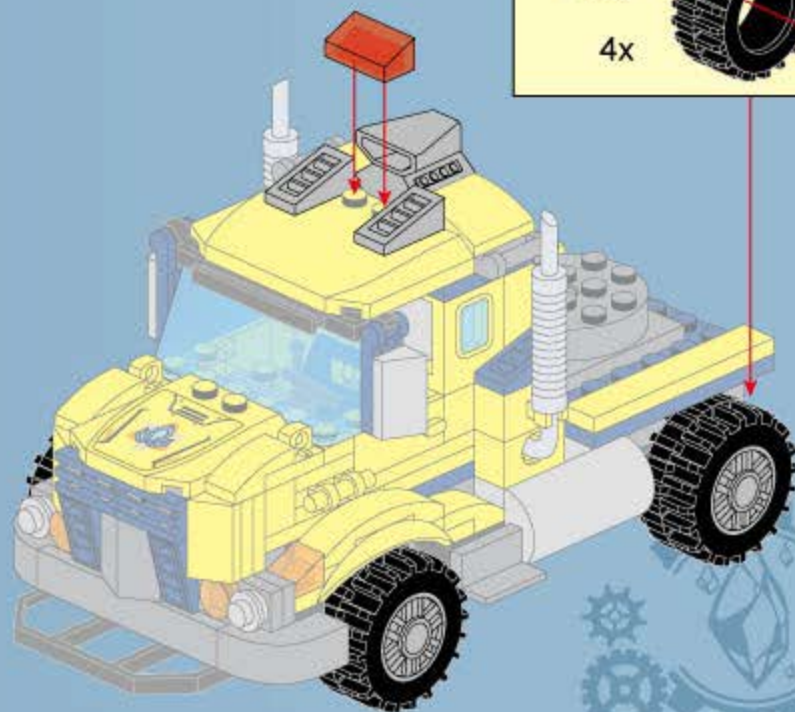
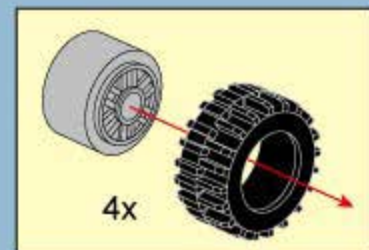
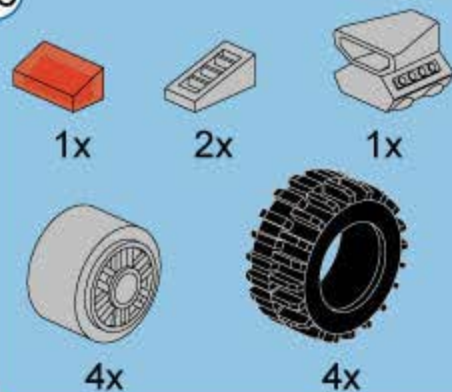
1x



25

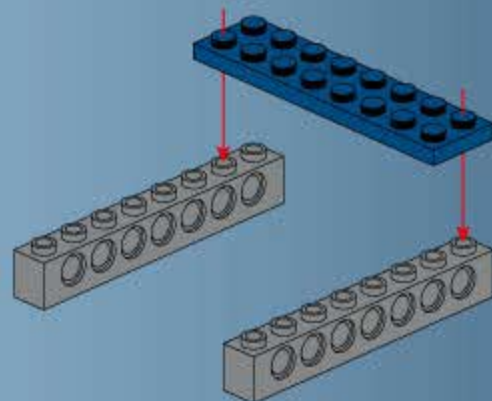
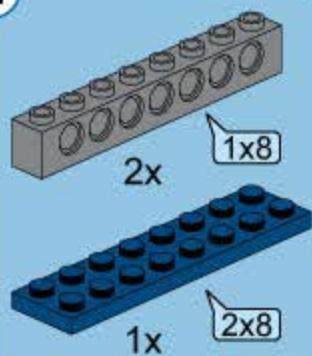


26

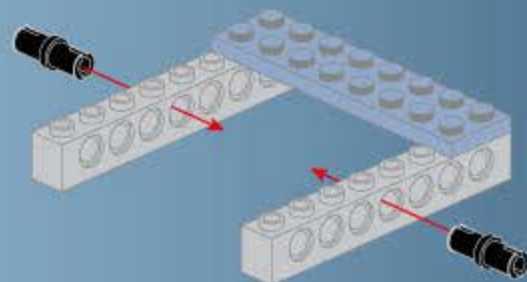




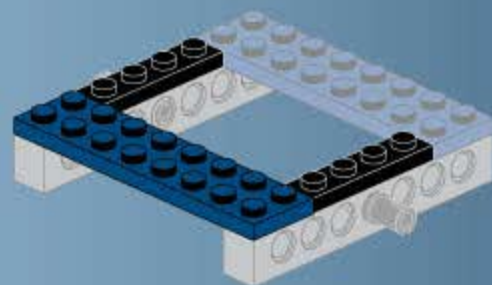
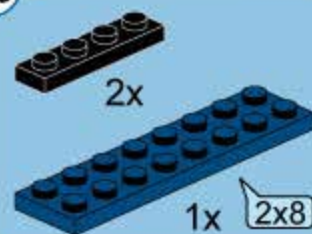
27



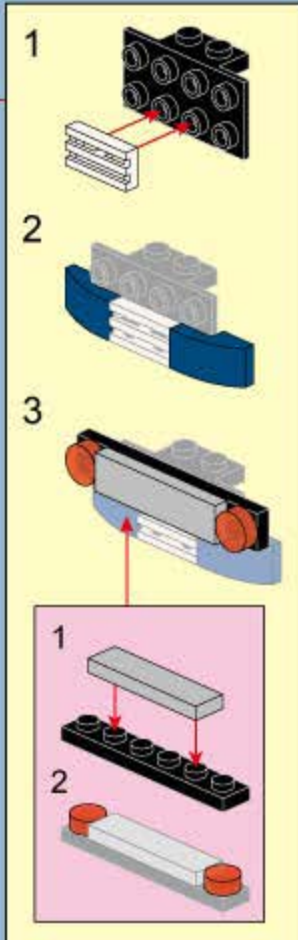
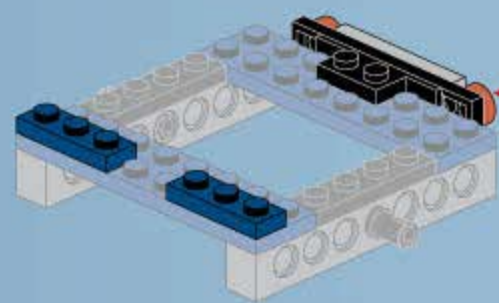
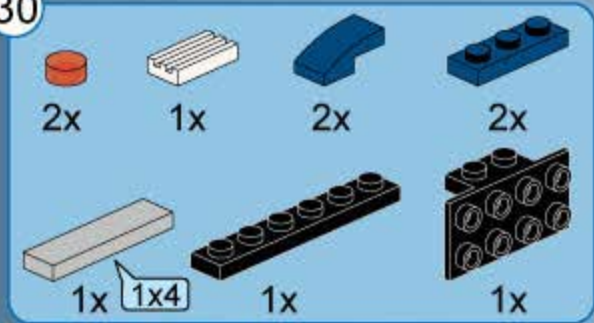
28



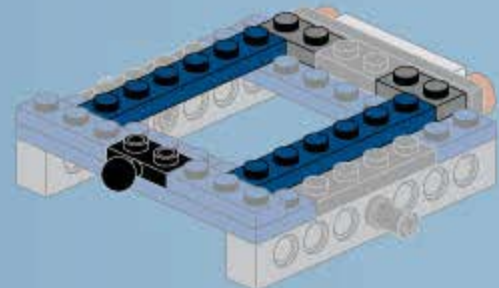
29



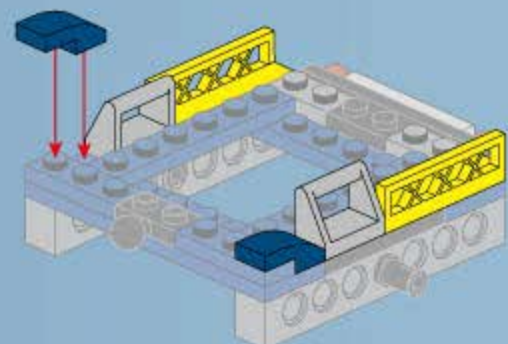
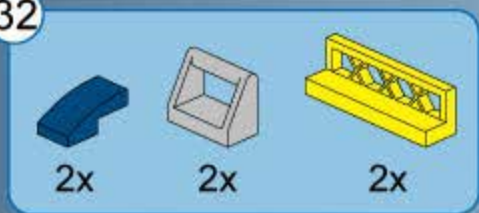
30



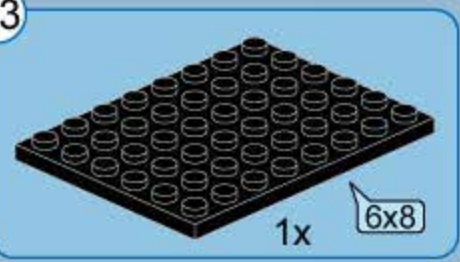
31



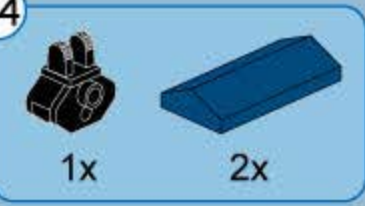
32



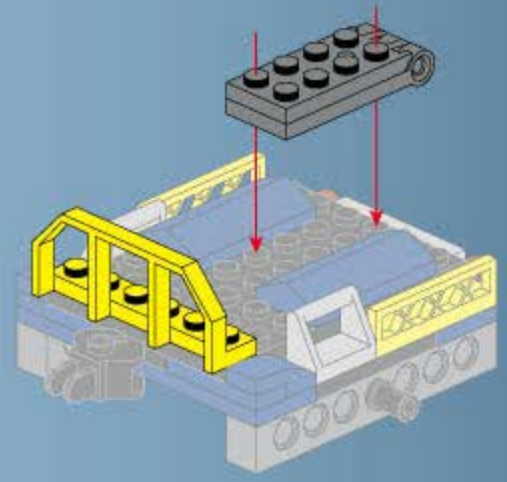
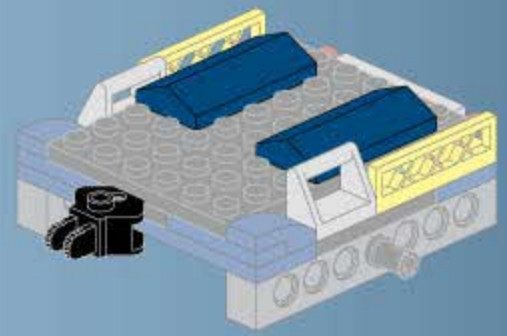
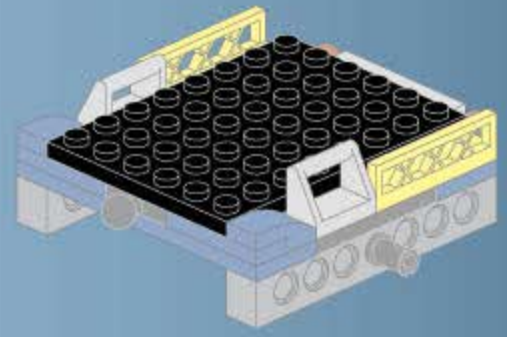
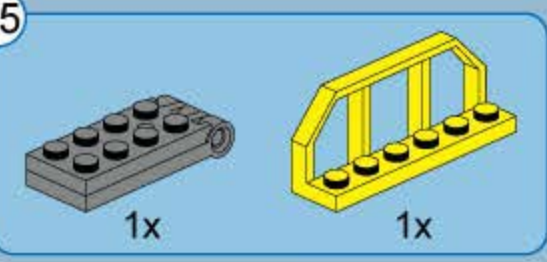
33



34

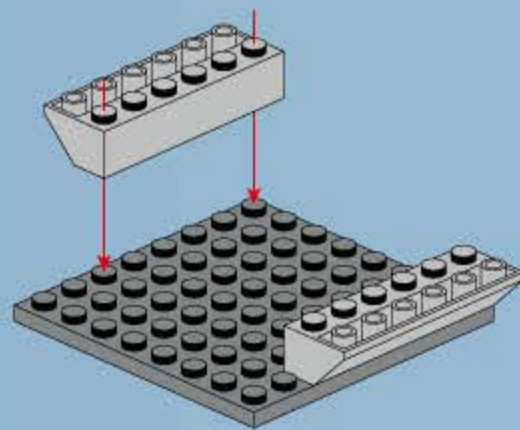
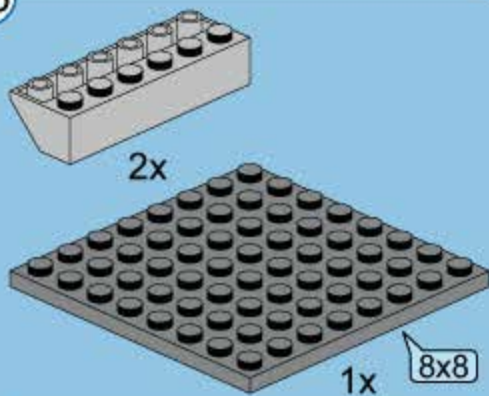


35

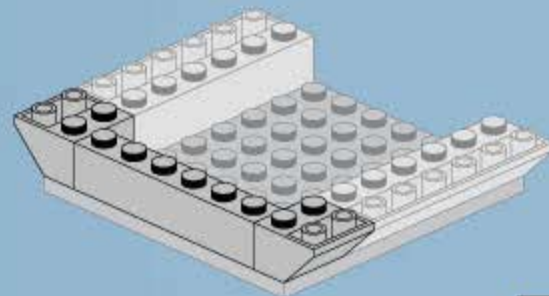
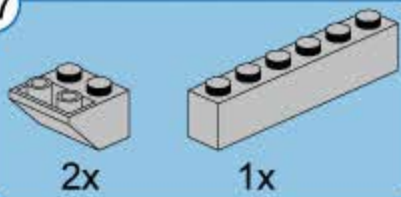




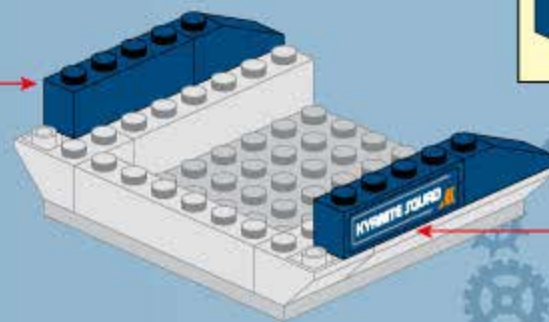
36



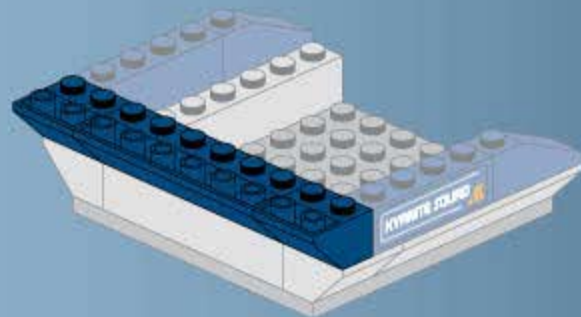
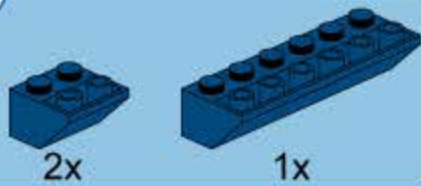
37



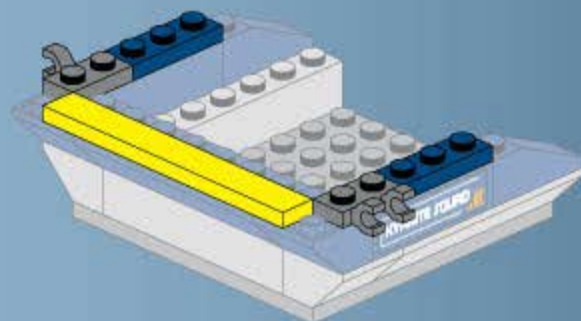
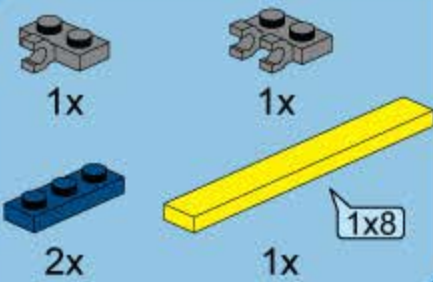
38



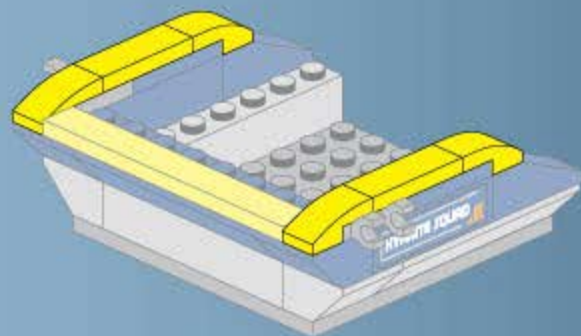
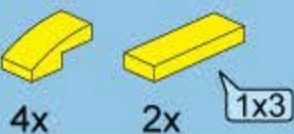
39



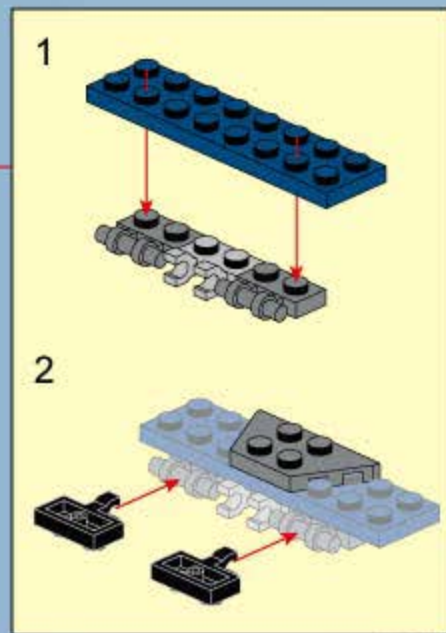
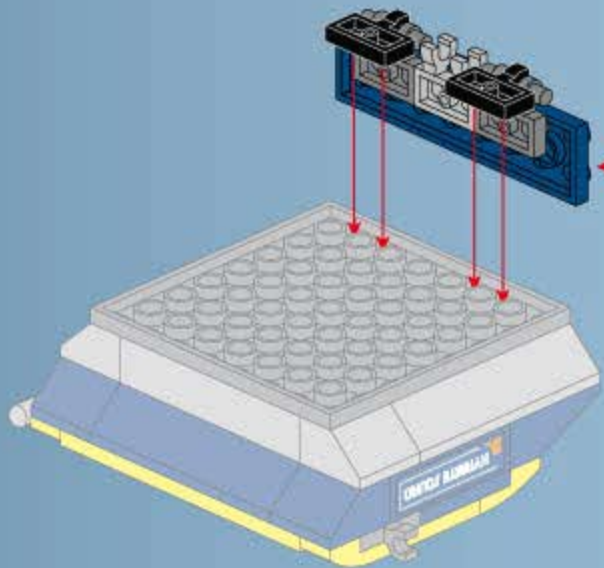
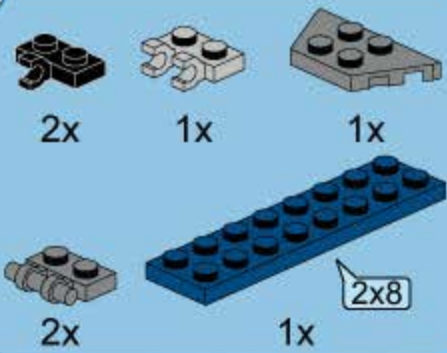
40



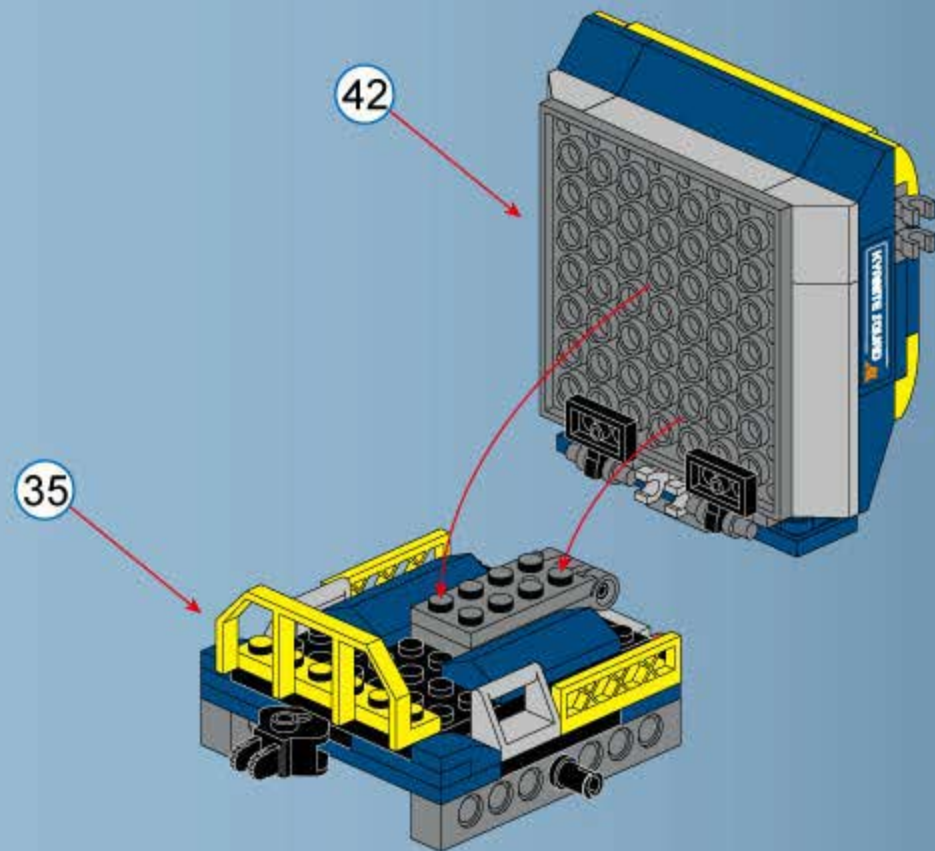
41



42



43



44



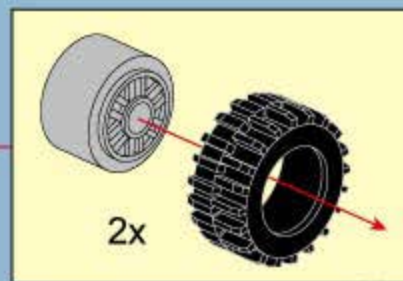
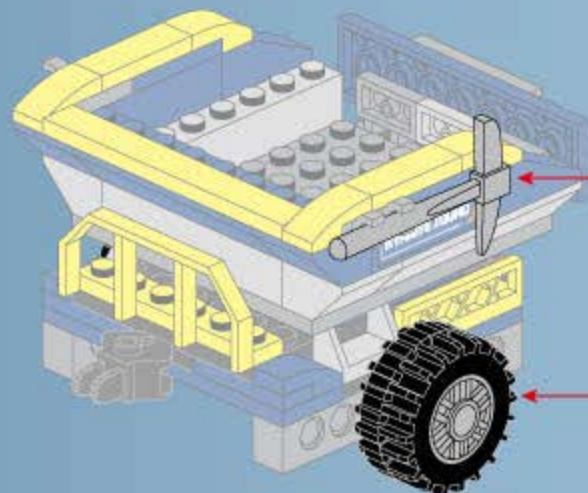
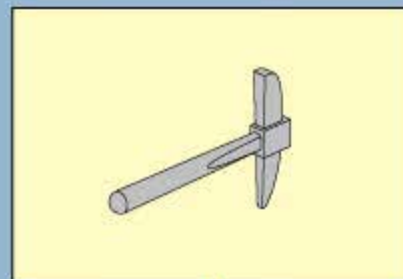
1x



2x

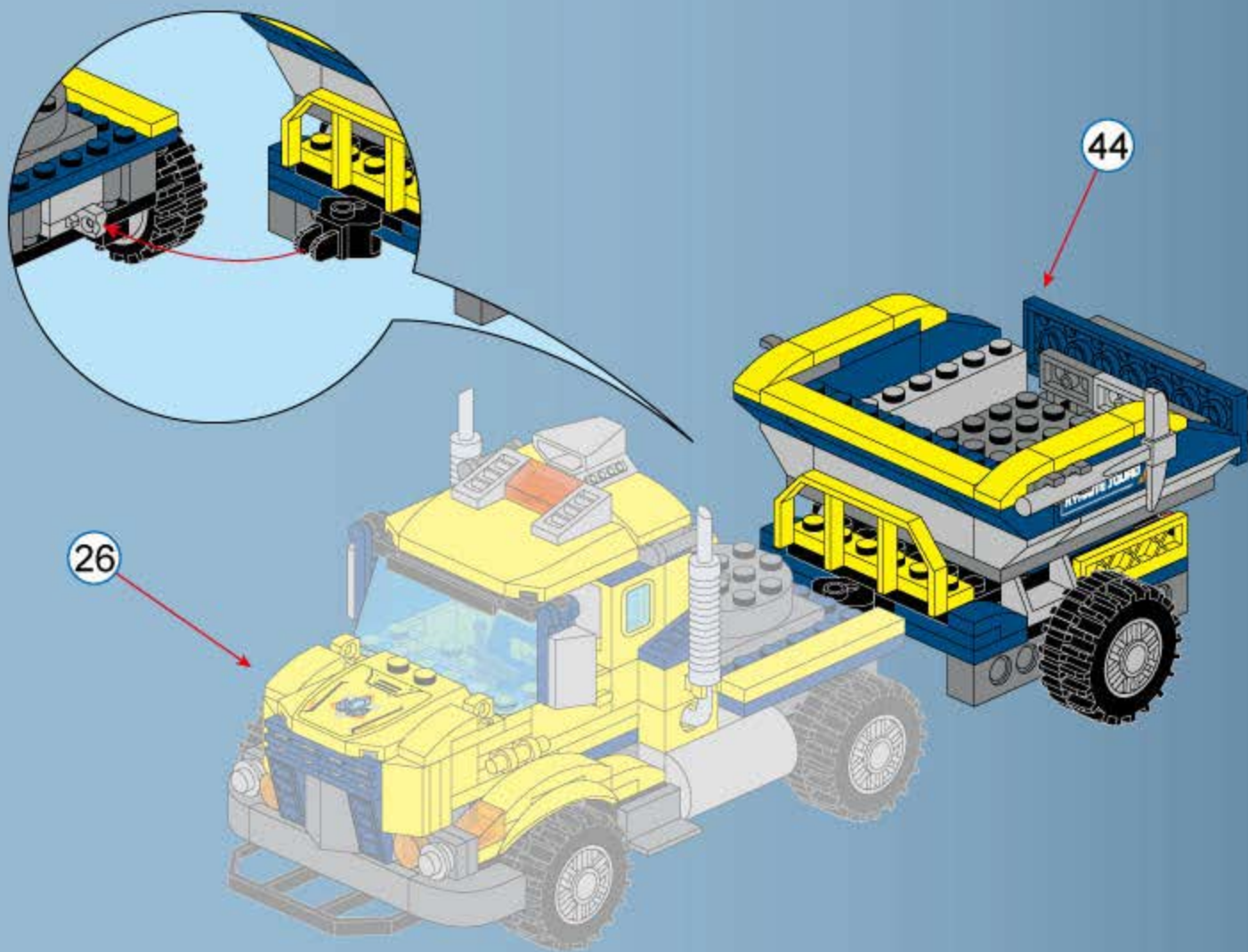


2x



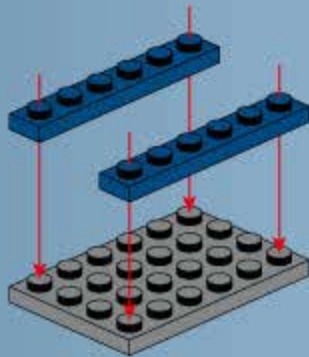
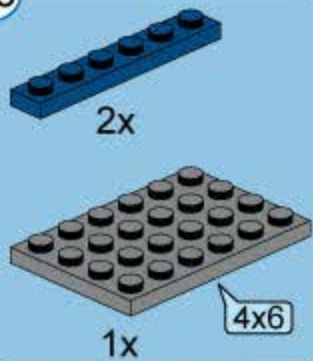
2x



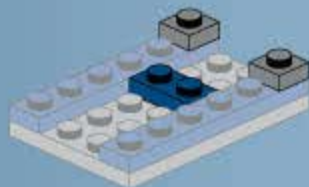
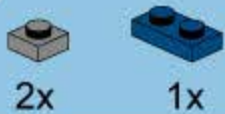




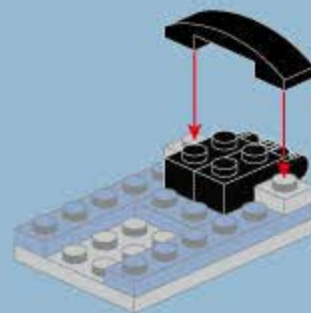
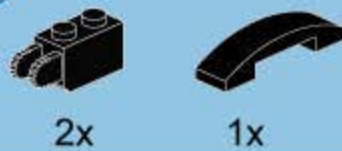
45



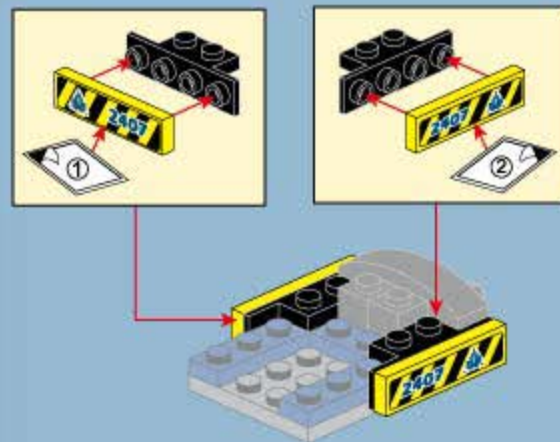
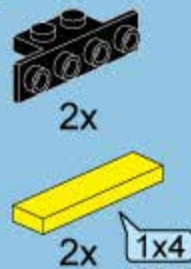
46



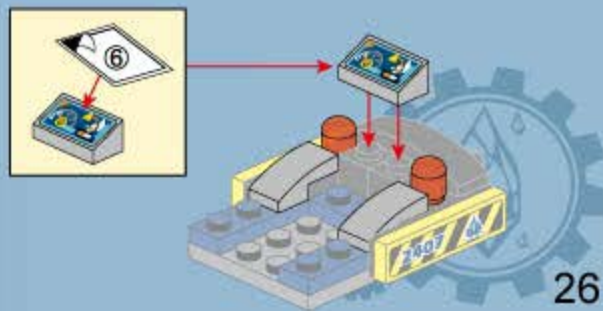
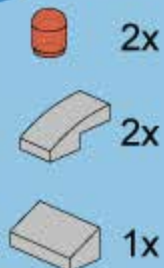
47



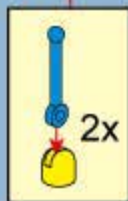
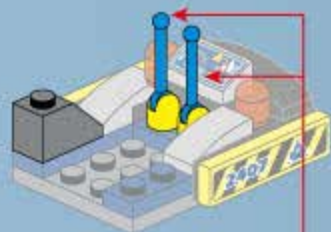
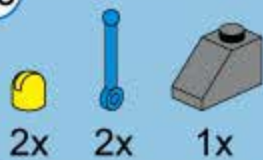
48



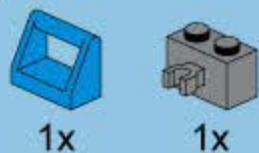
49



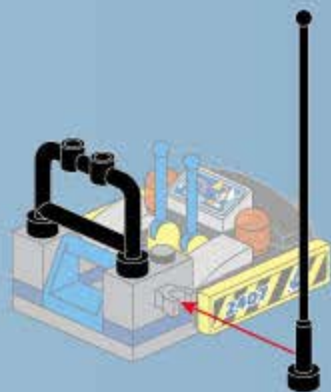
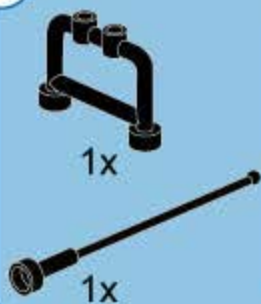
50



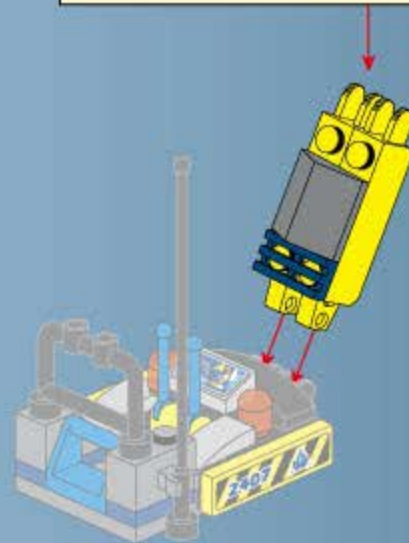
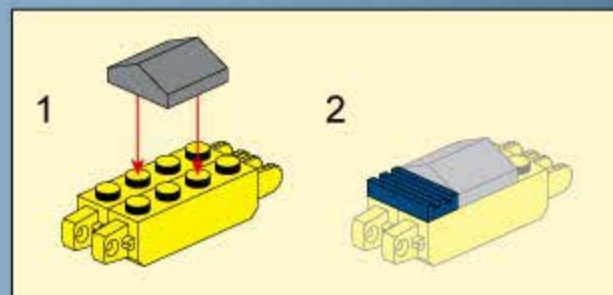
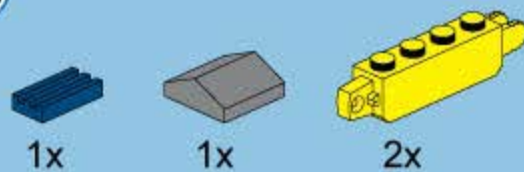
51



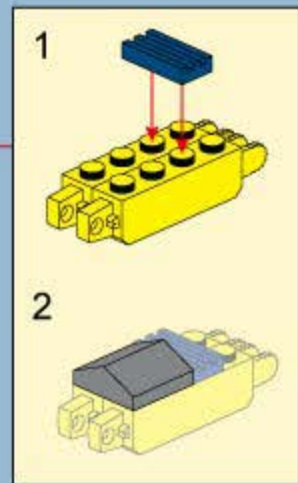
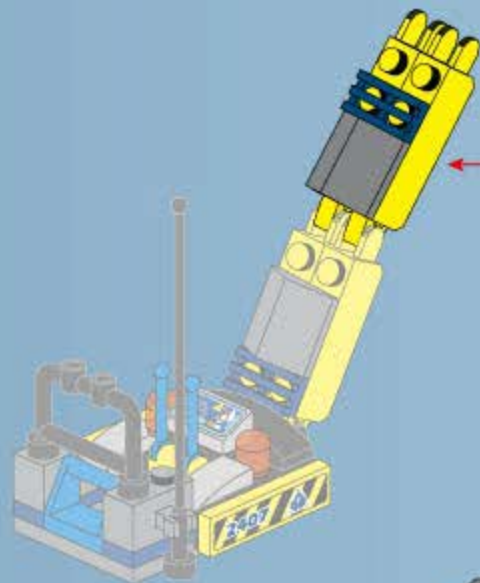
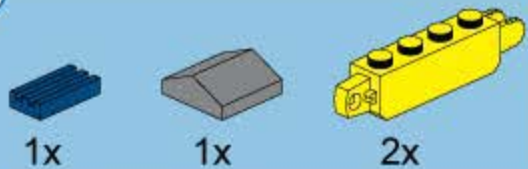
52



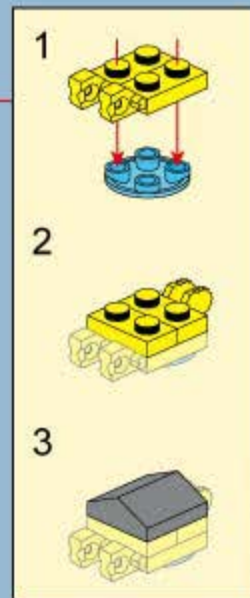
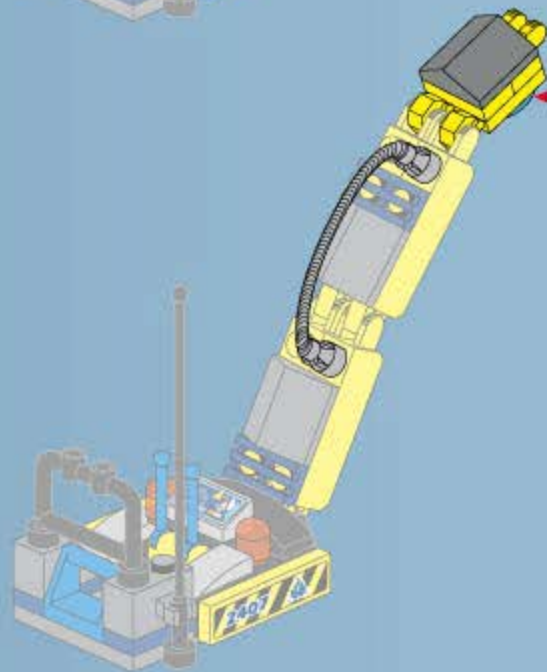
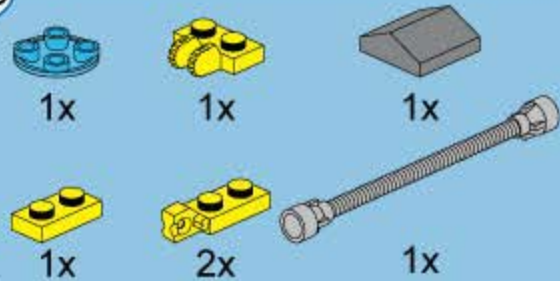
53



54



55



56



1x



1x



4x



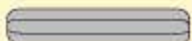
1x



1x

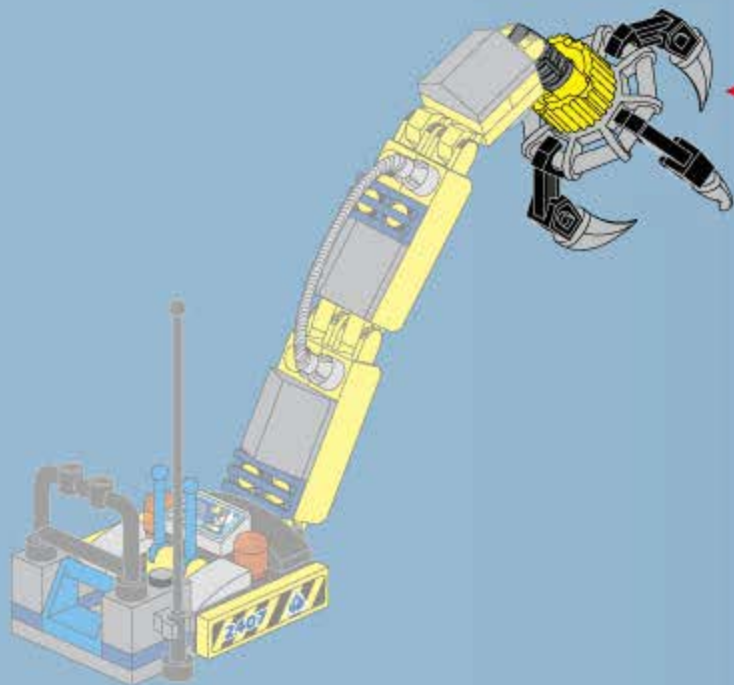


4x

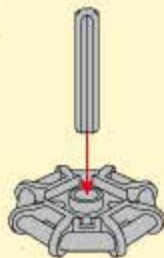


3

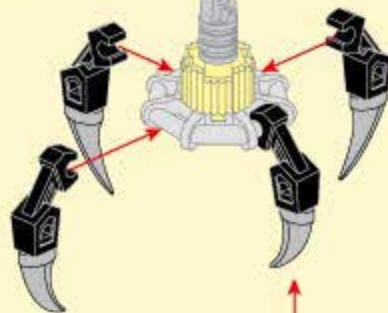
1:1



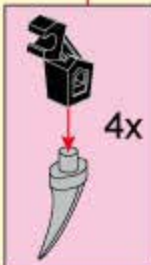
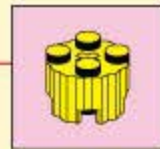
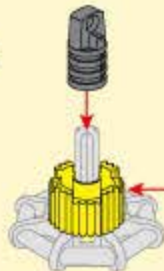
1

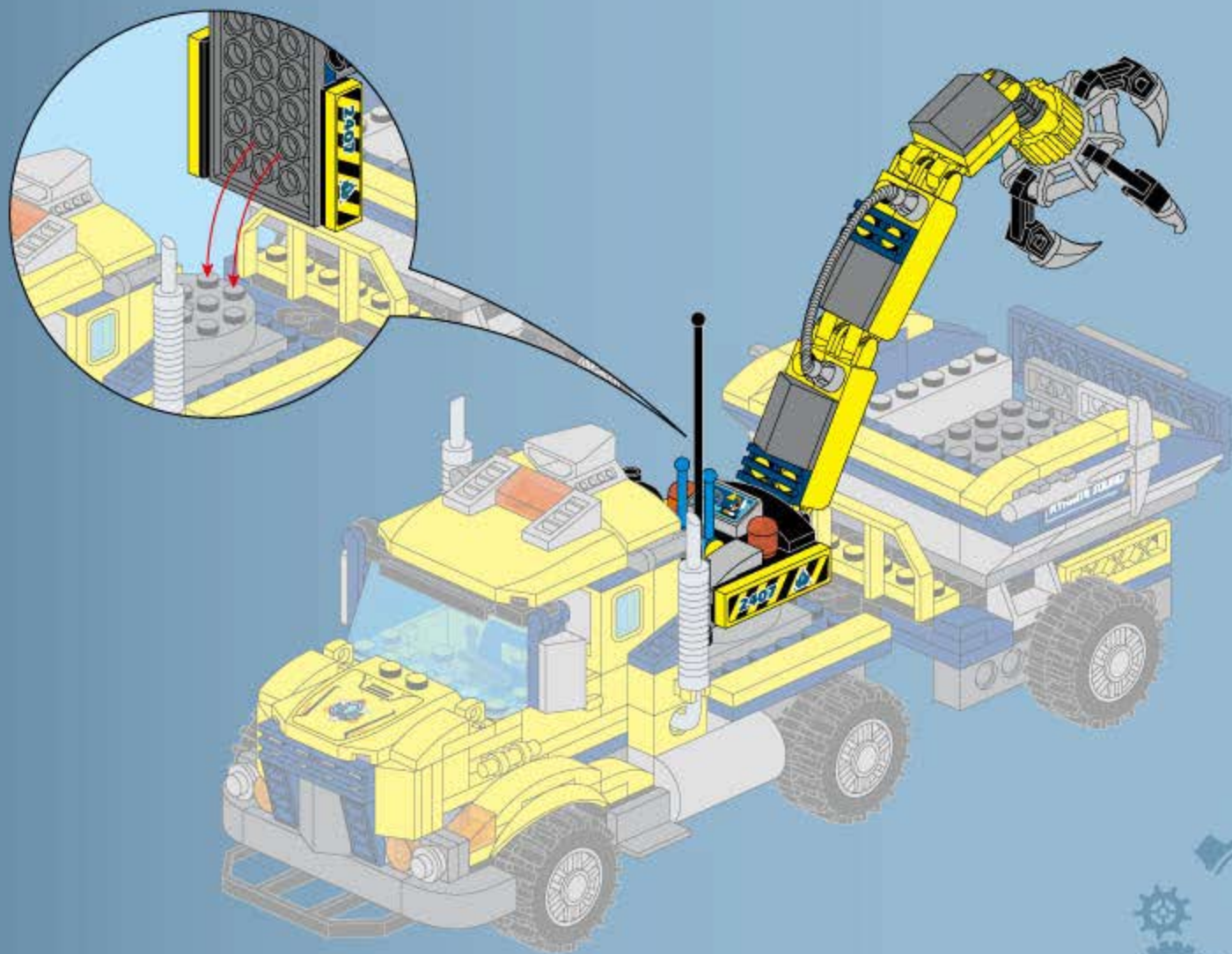


3



2







2407

KYANITE SQUAD



2401 EXPLORATION VEHICLE



2402 ROCK BULLDOZER



2403 STONE CHOPPER



2404 ROCK SWEEPER



2405 ROCK GRINDER



2406 LABORATORY RV



2407 KYANITE TRANSPORTER



2408 HEAVY-LIFT AIRCRAFT



2409 DRILLER PLATFORM



2410 EXCAVATOR



2411 DUMPTURUCK MONSTER



2412 ALPHA EXPLORATION BASE

/// www.qmjm.com