



Qman

KYANITE SQUAD

DEEP SEA MISSION

2414

Ages: 6+

Minifigs: X3

PCS: 401

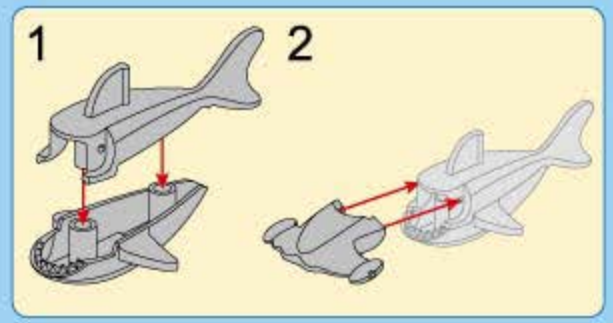


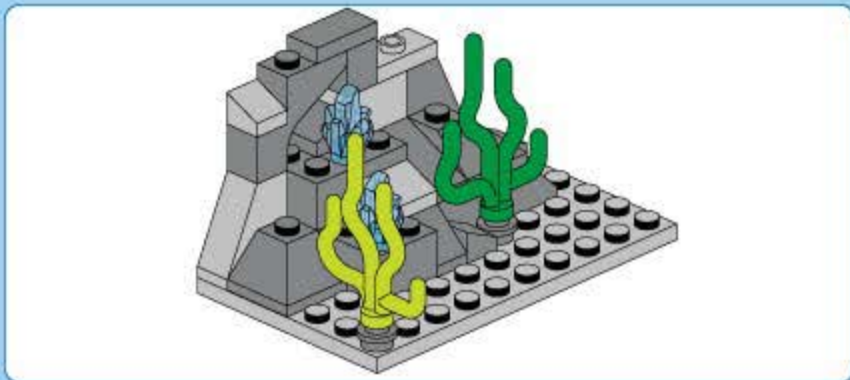
EXPLORER SUBMARINE



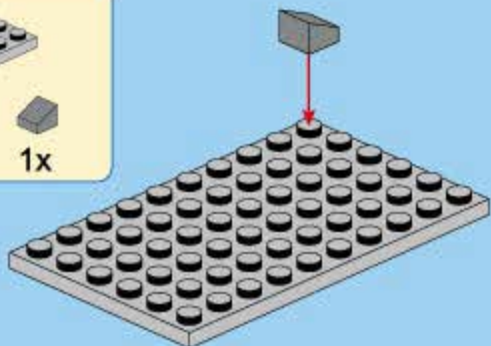
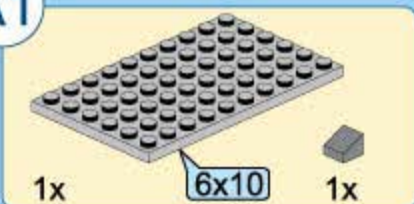
拆件器使用方法，仅为示例
Usage of Brick Separator, Just for the sample

<p>1</p>	<p>3</p>
<p>2</p>	<p>4</p>

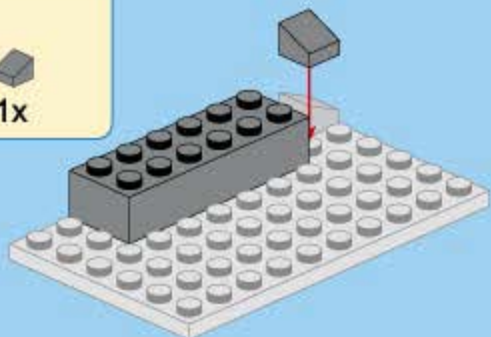




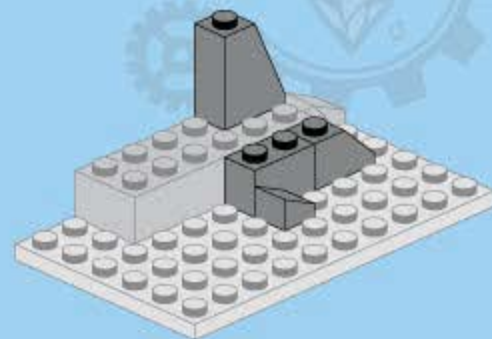
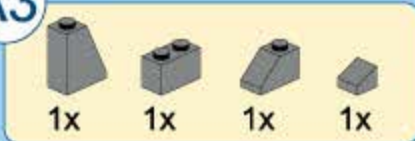
A1



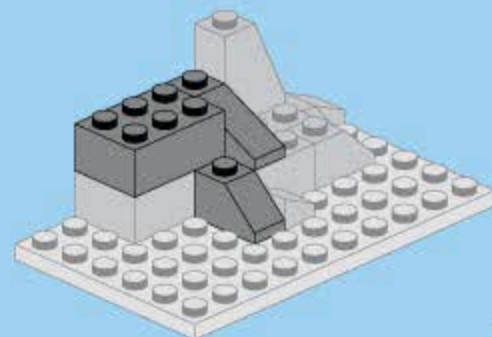
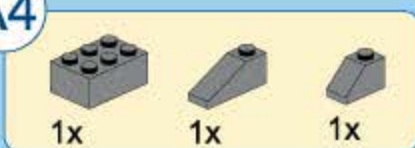
A2



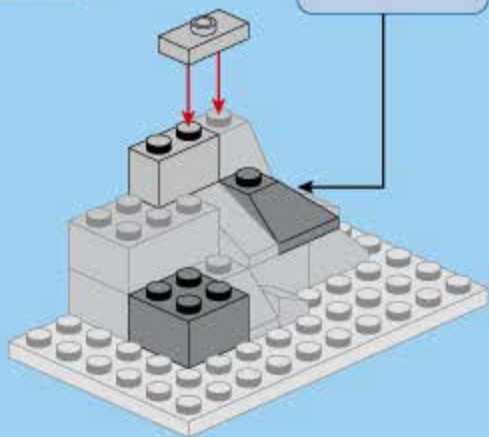
A3



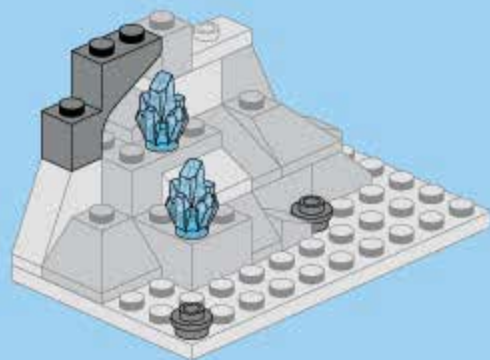
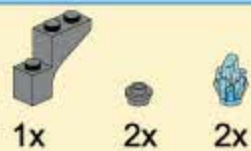
A4



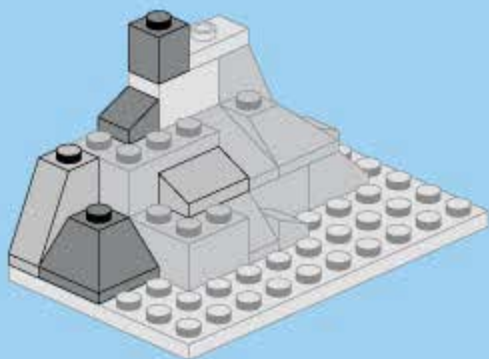
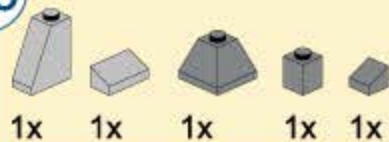
A5



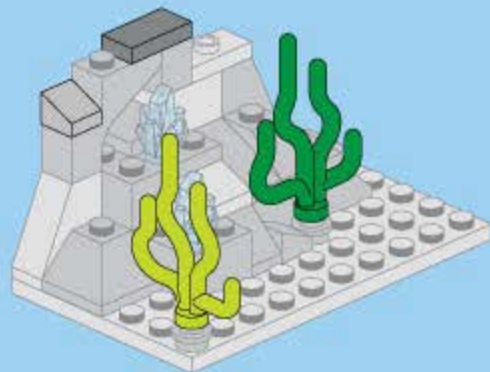
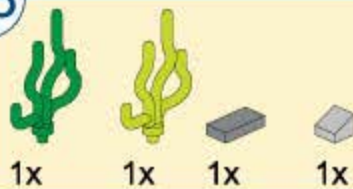
A7

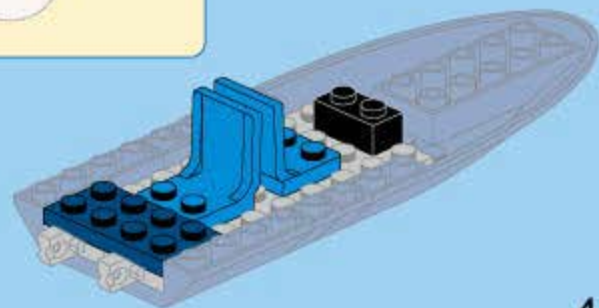
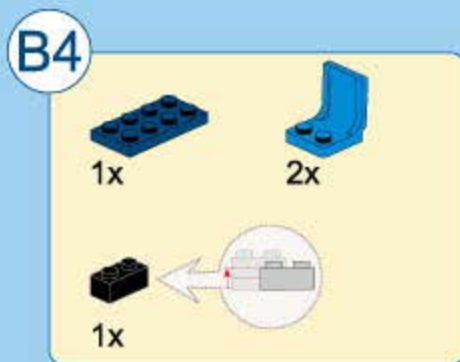
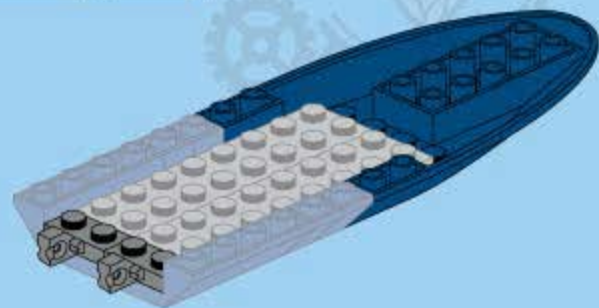
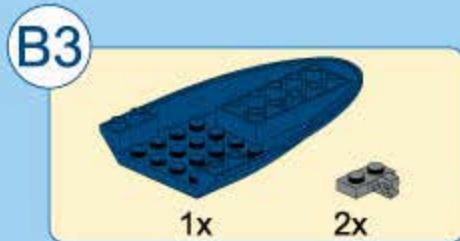
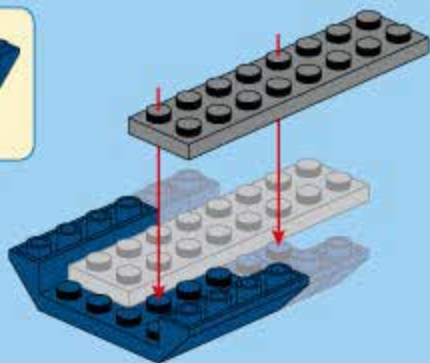
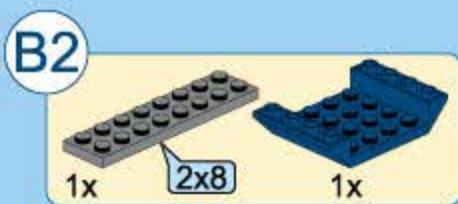
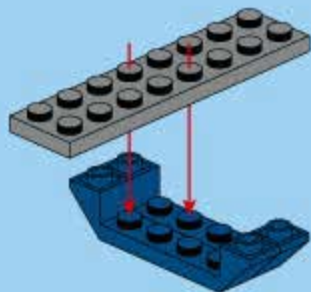
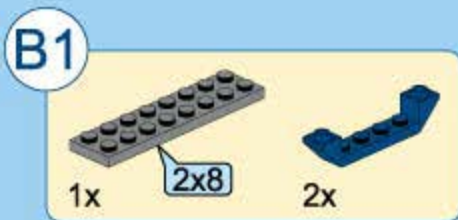
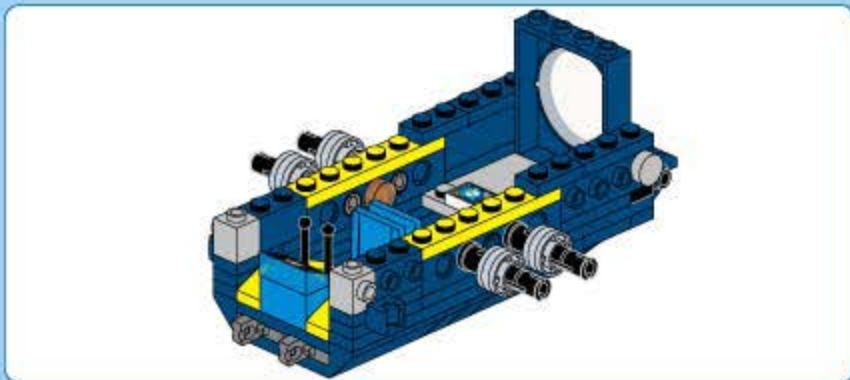


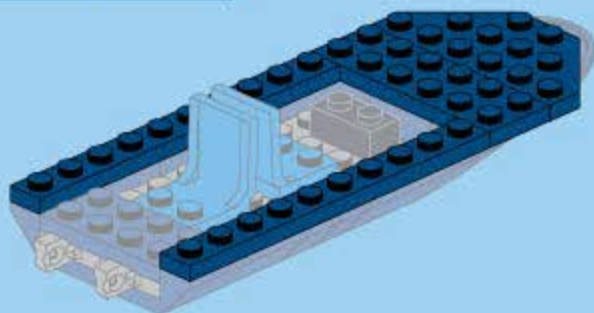
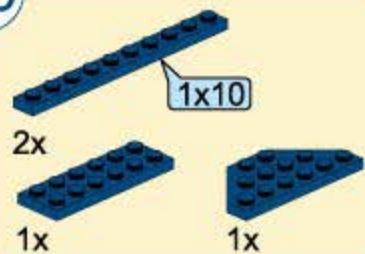
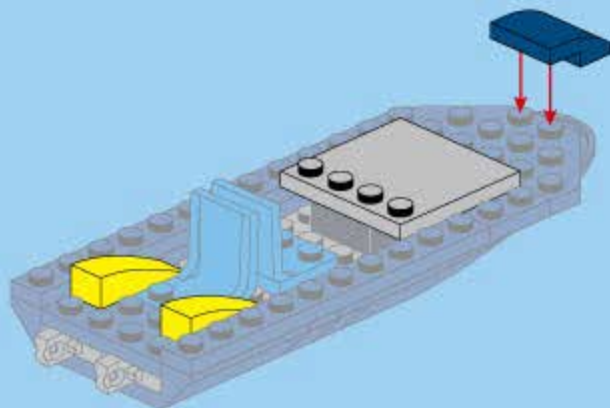
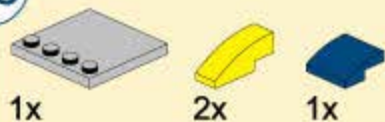
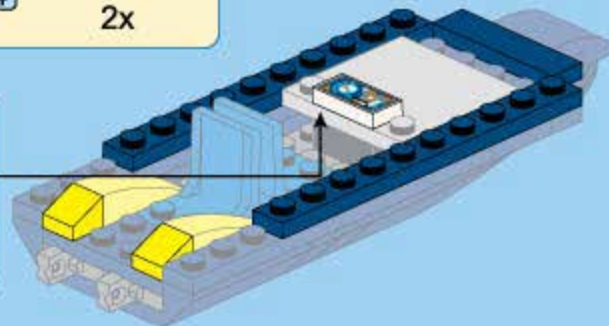
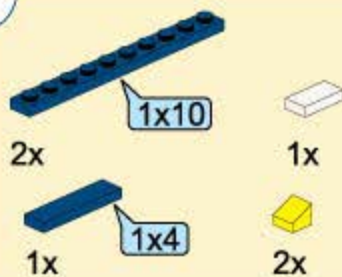
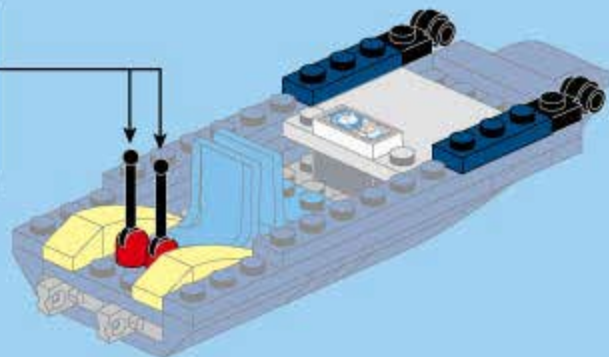
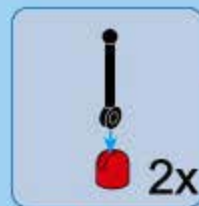
A6



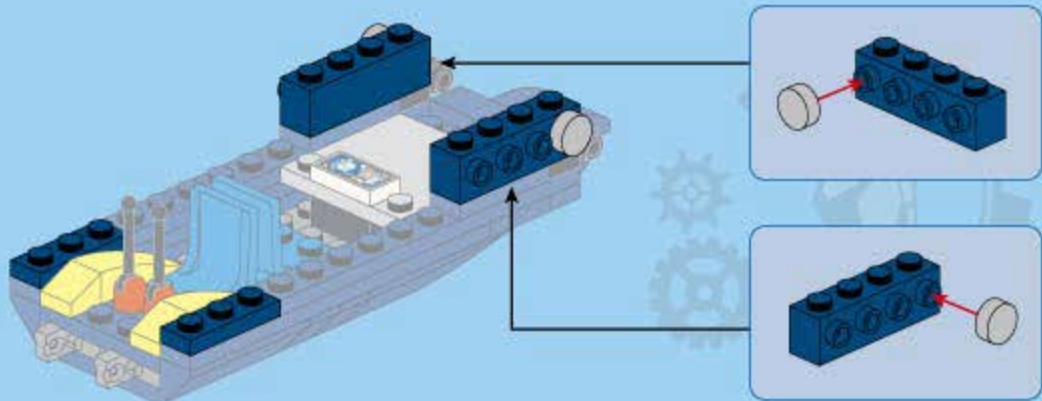
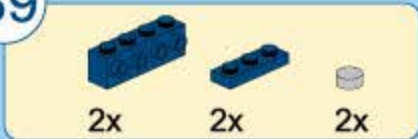
A8



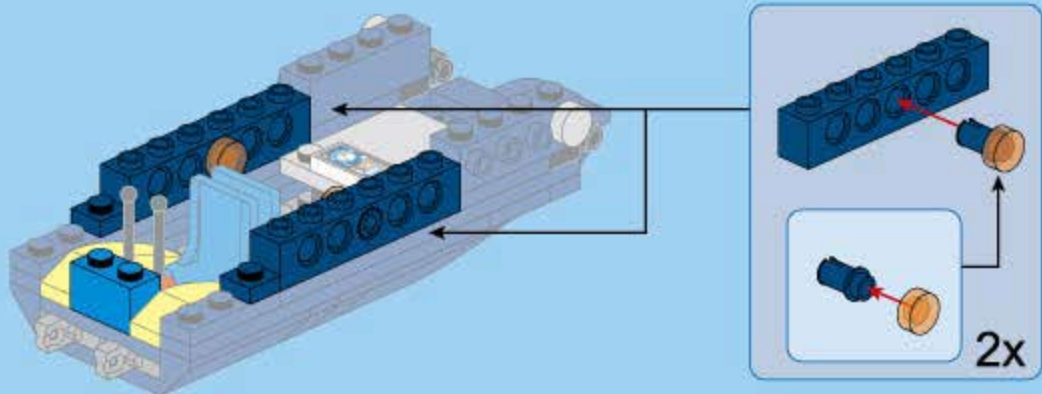


B5**B6****B7****B8**

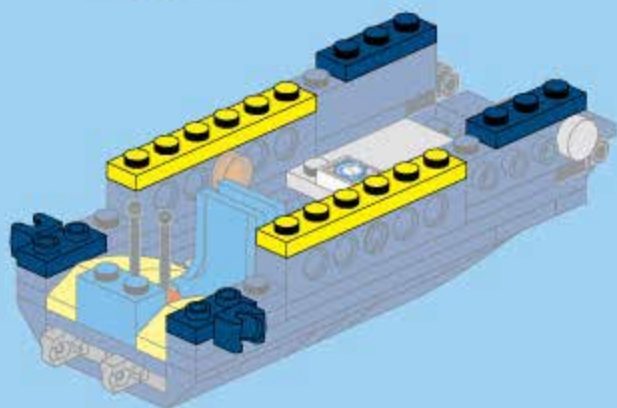
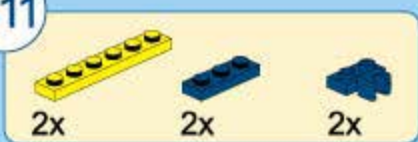
B9



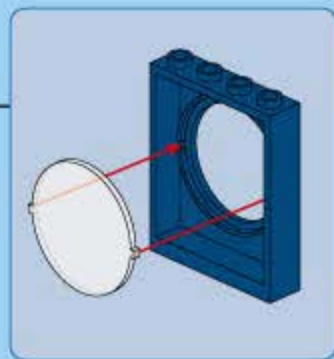
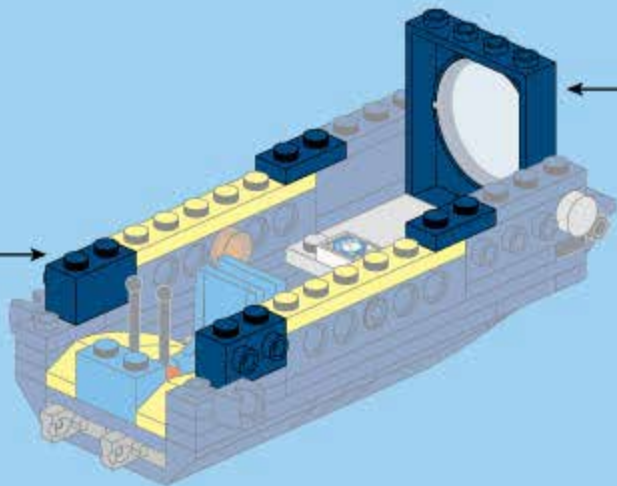
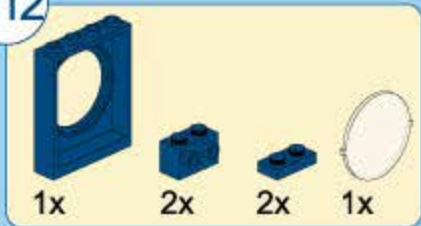
B10



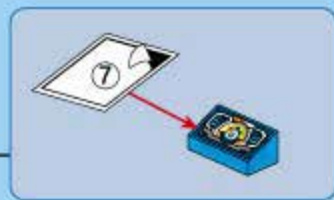
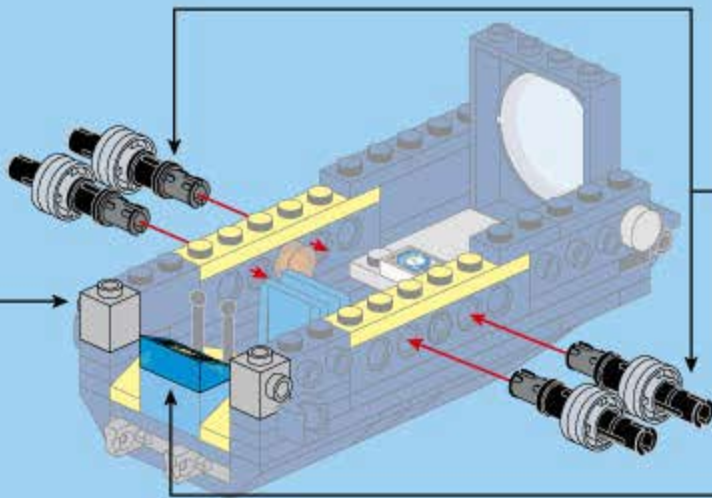
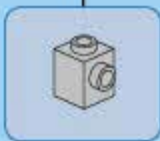
B11



B12

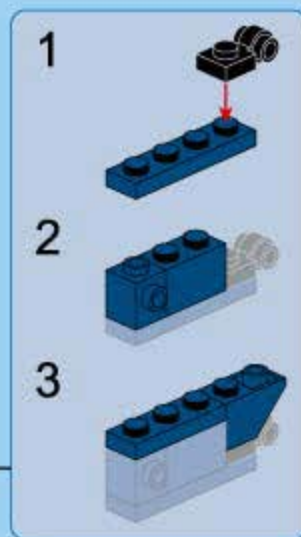
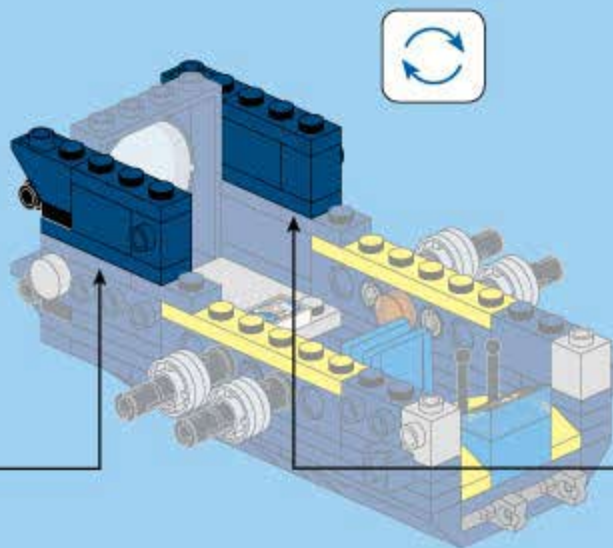
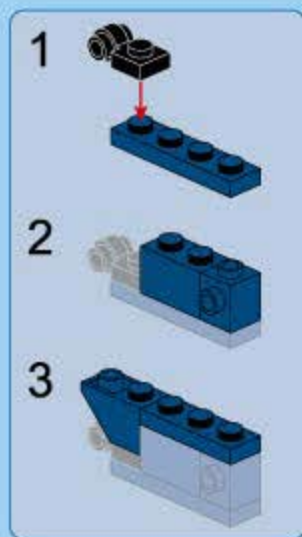
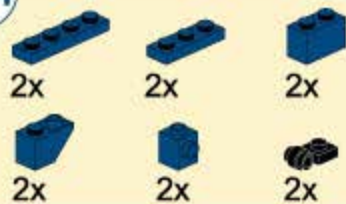


B13

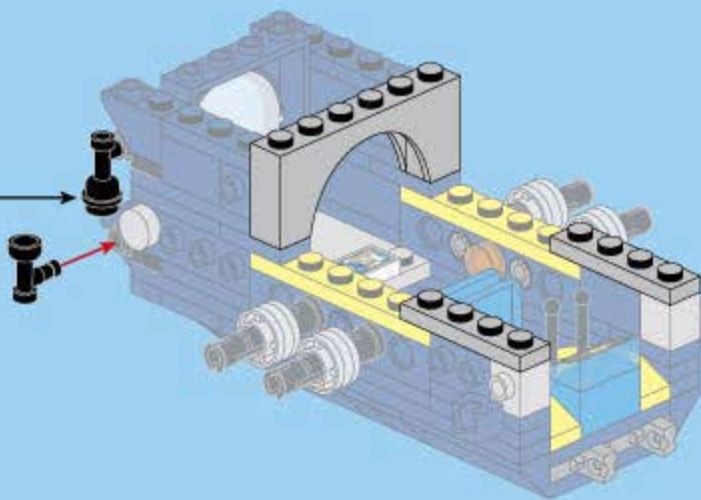
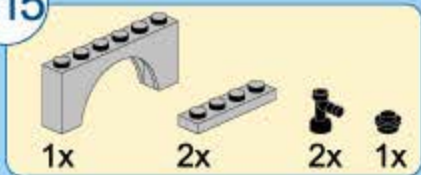




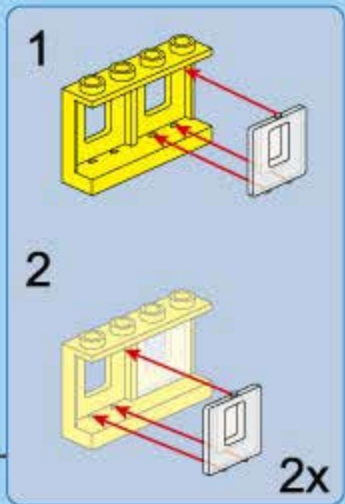
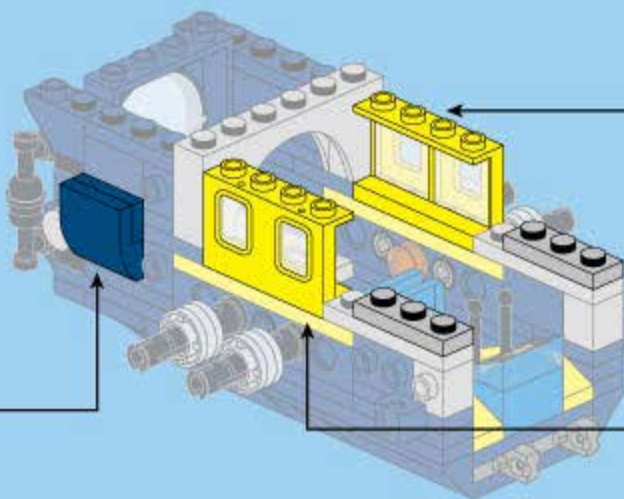
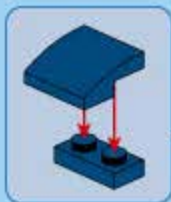
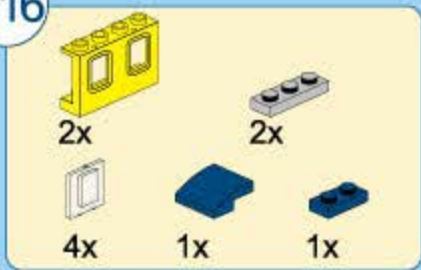
B14



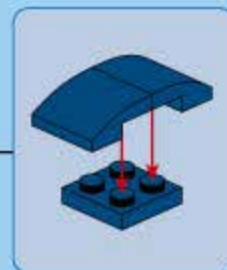
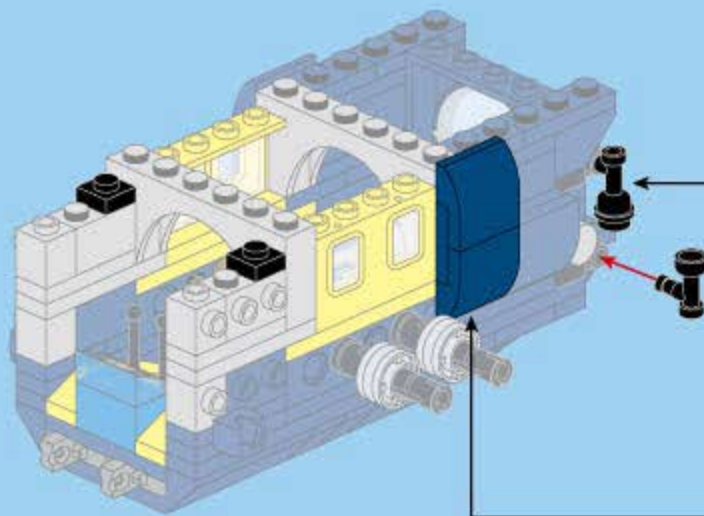
B15



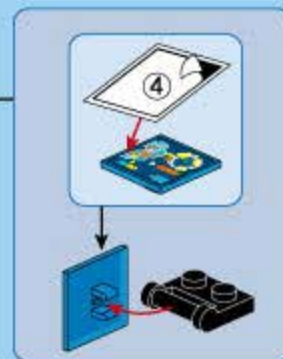
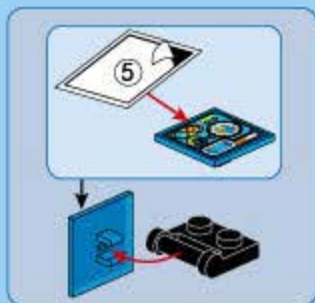
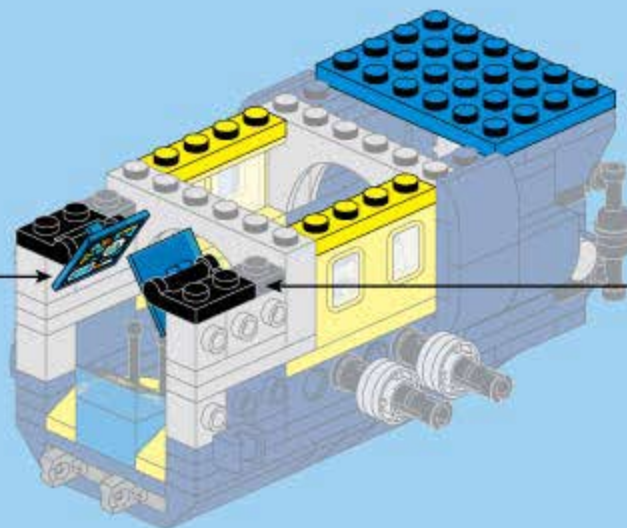
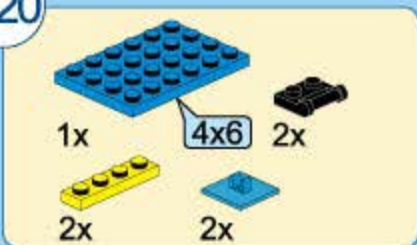
B16



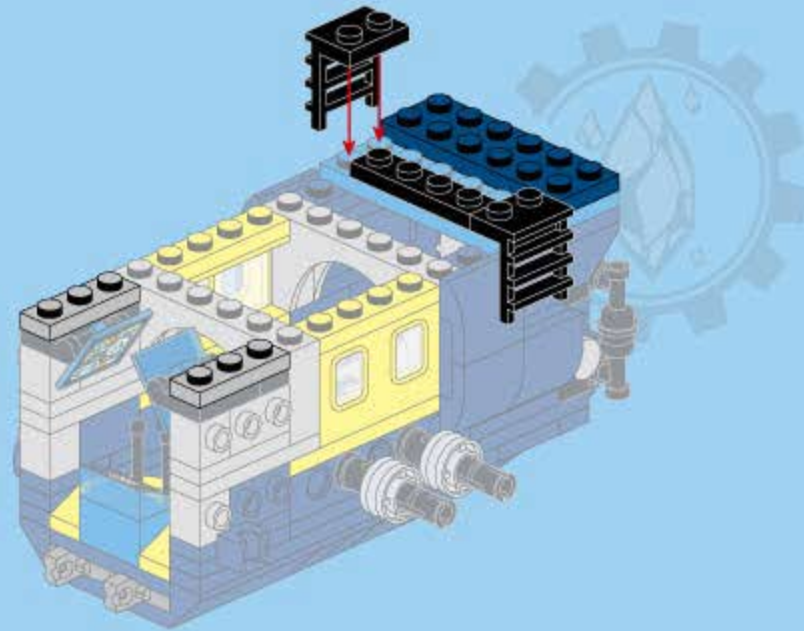
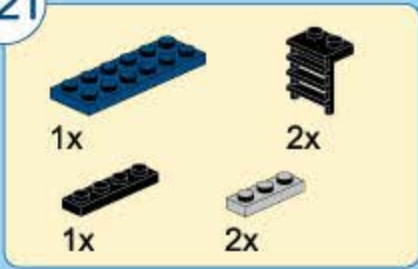
B19



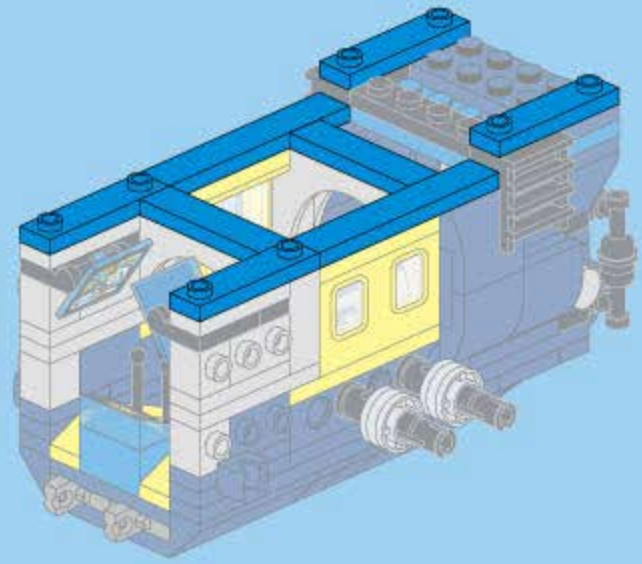
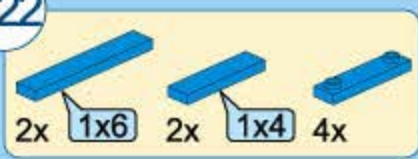
B20



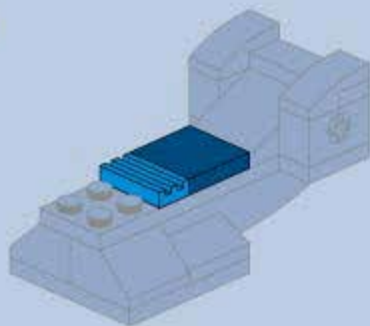
B21



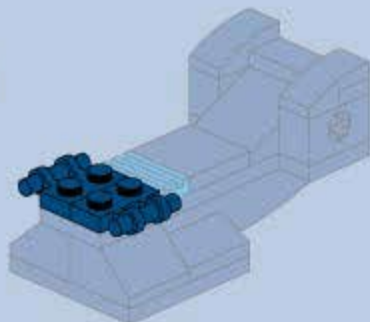
B22



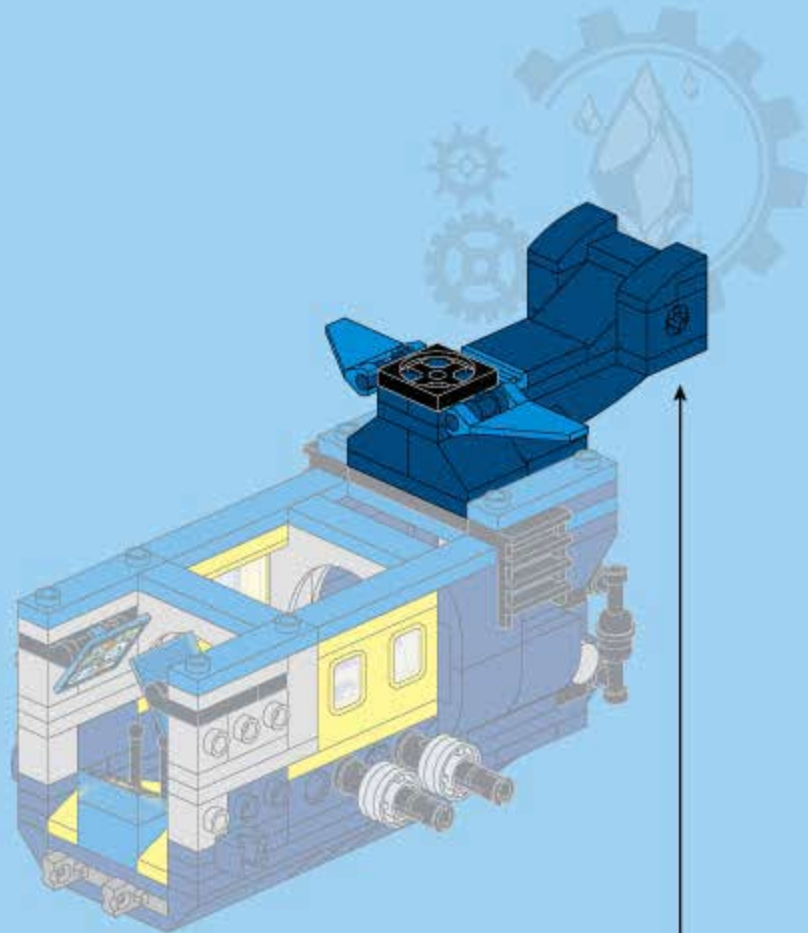
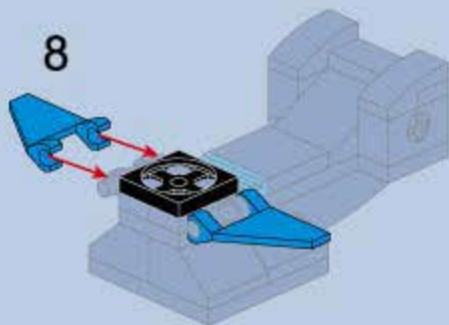
6



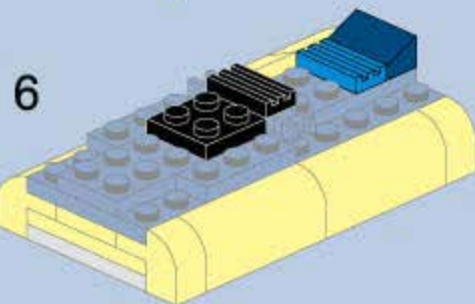
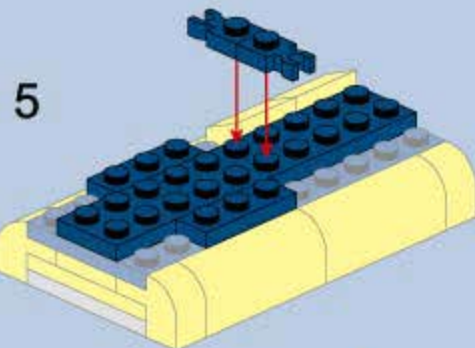
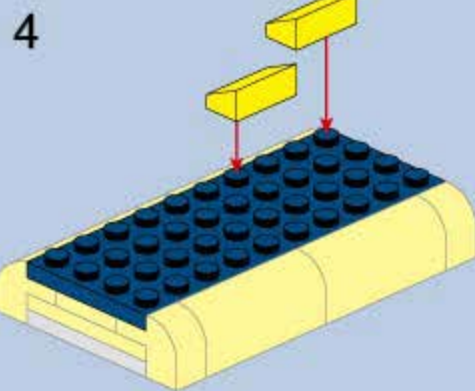
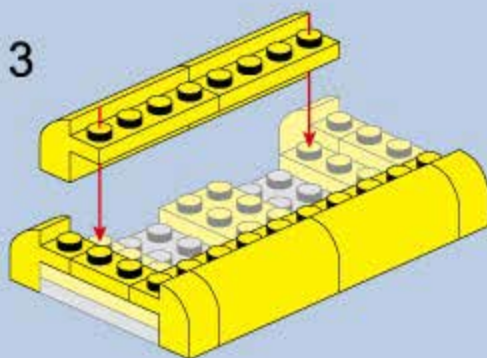
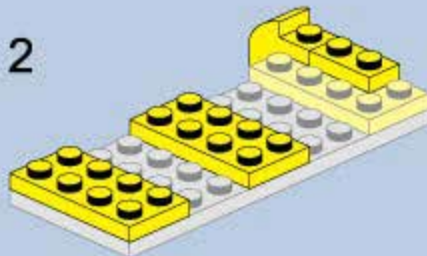
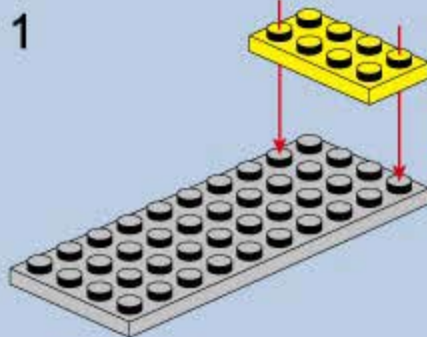
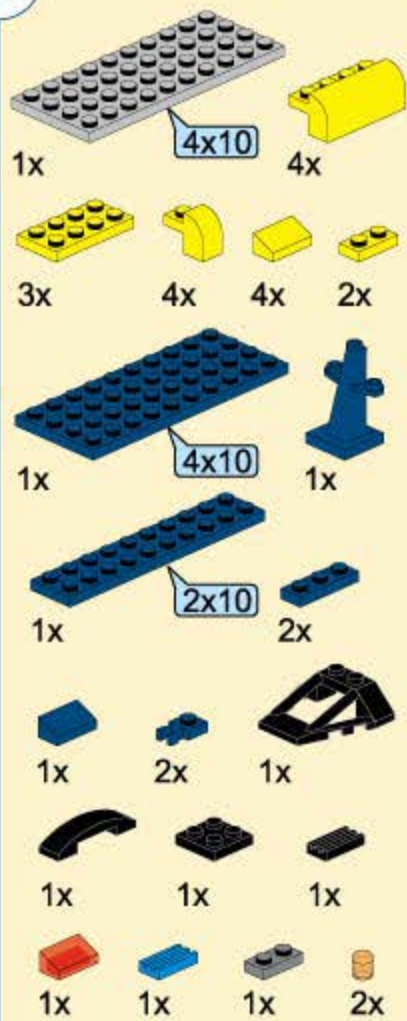
7

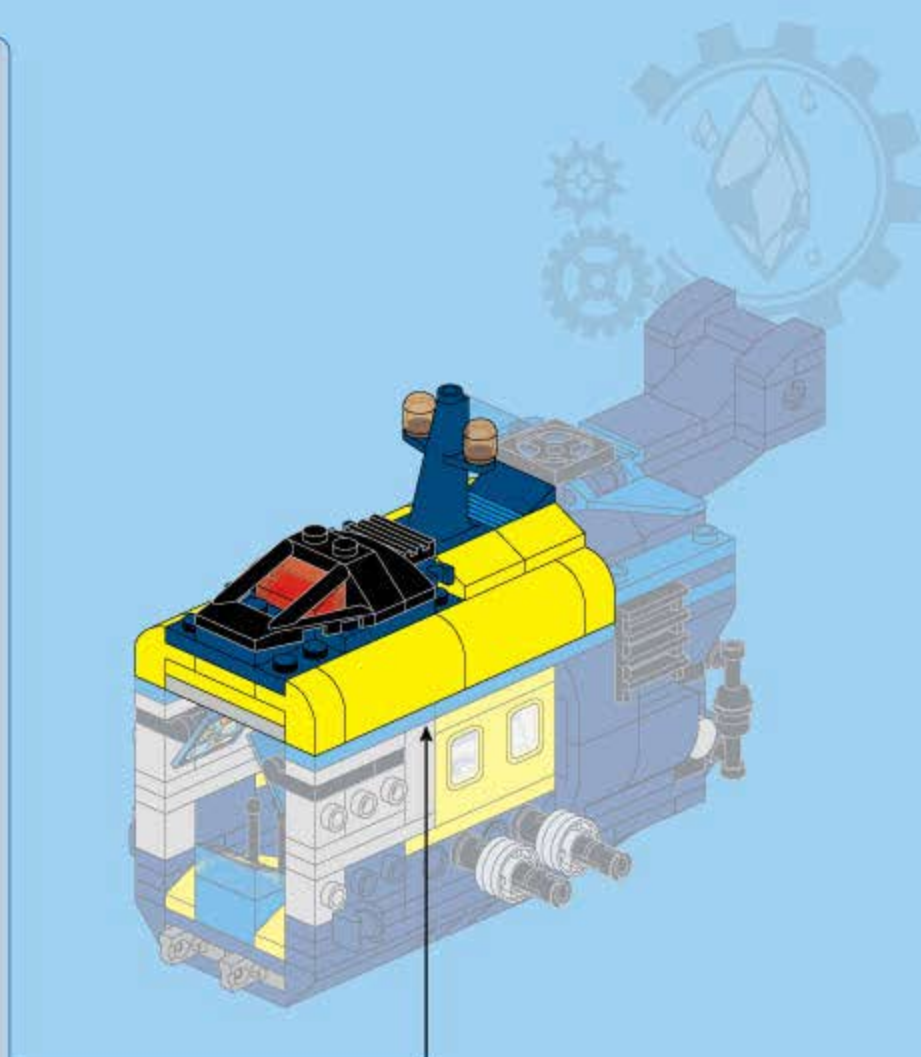
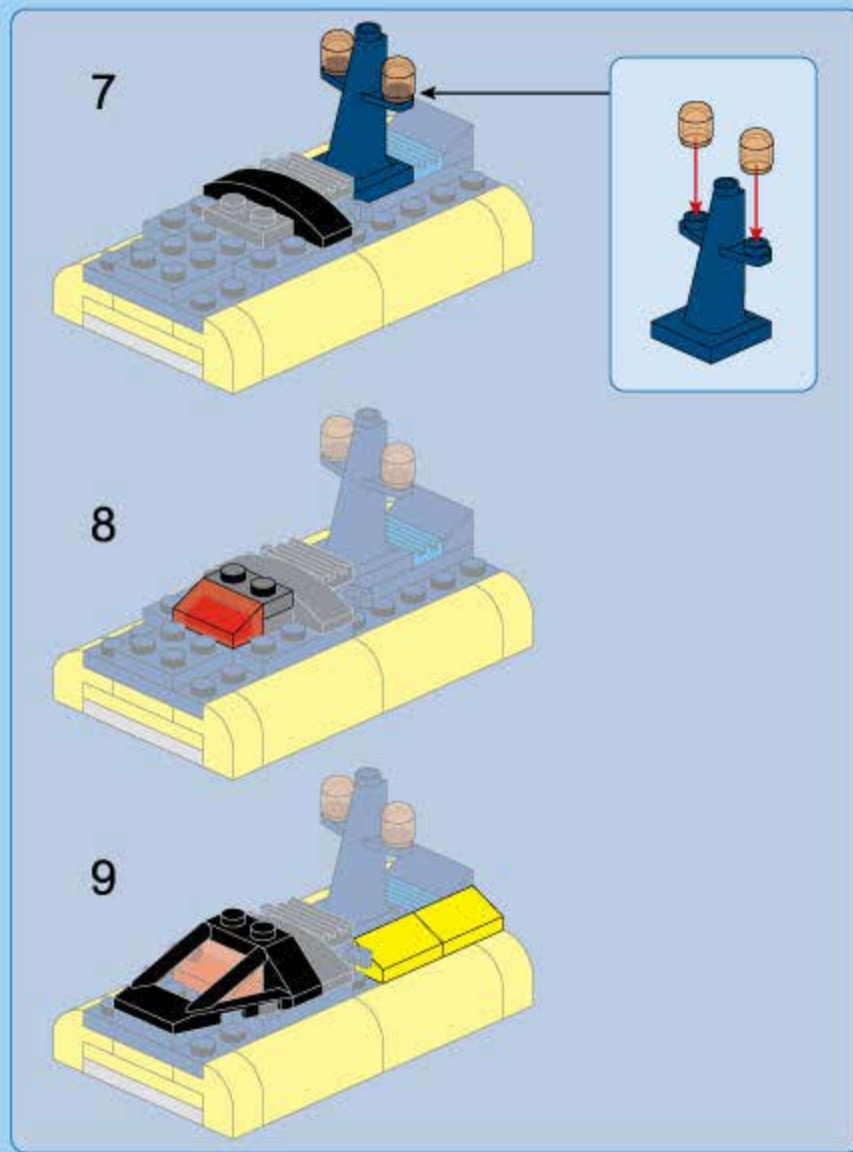


8

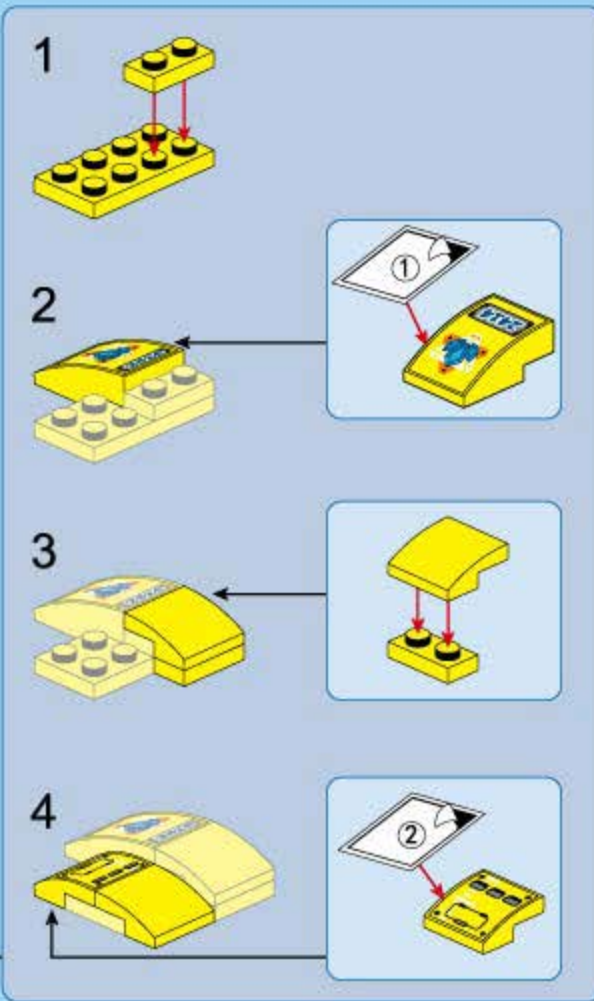
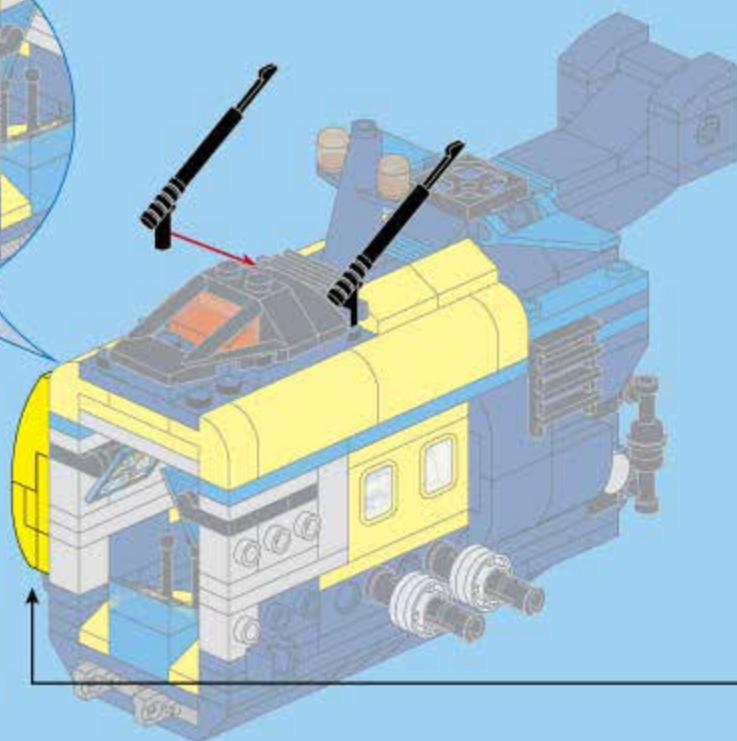
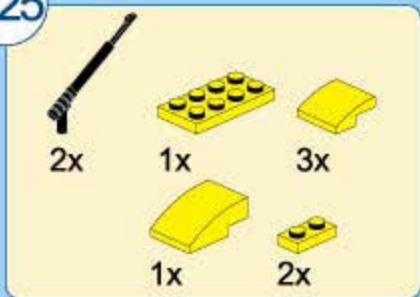


B24



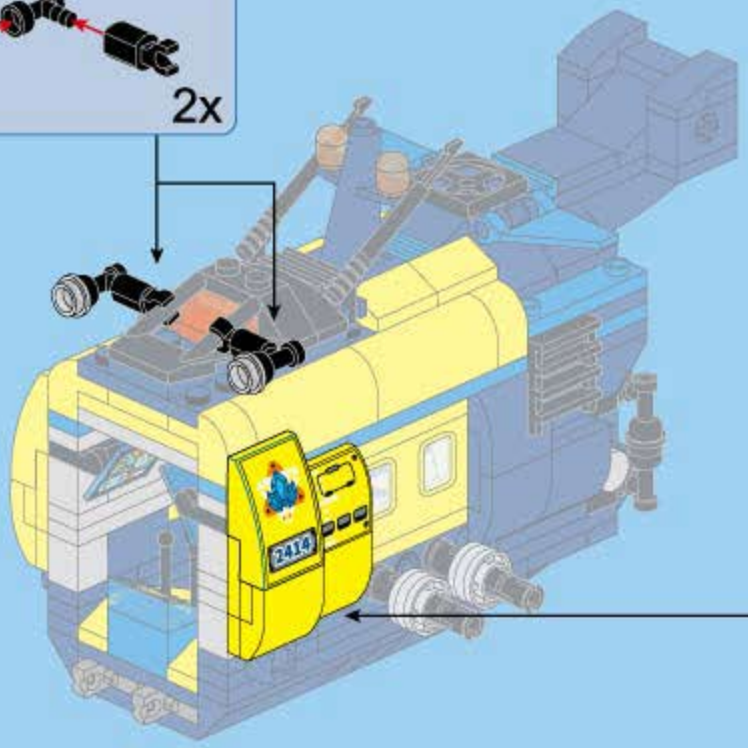
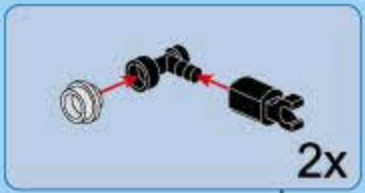


B25



B26

- 1x
- 1x
- 3x
- 2x
- 2x
- 2x
- 2x
- 2x



1

2

3

4

B27



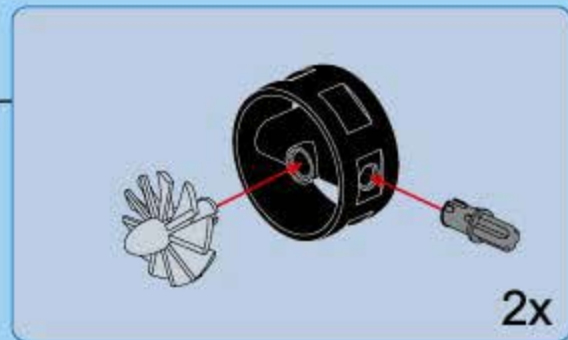
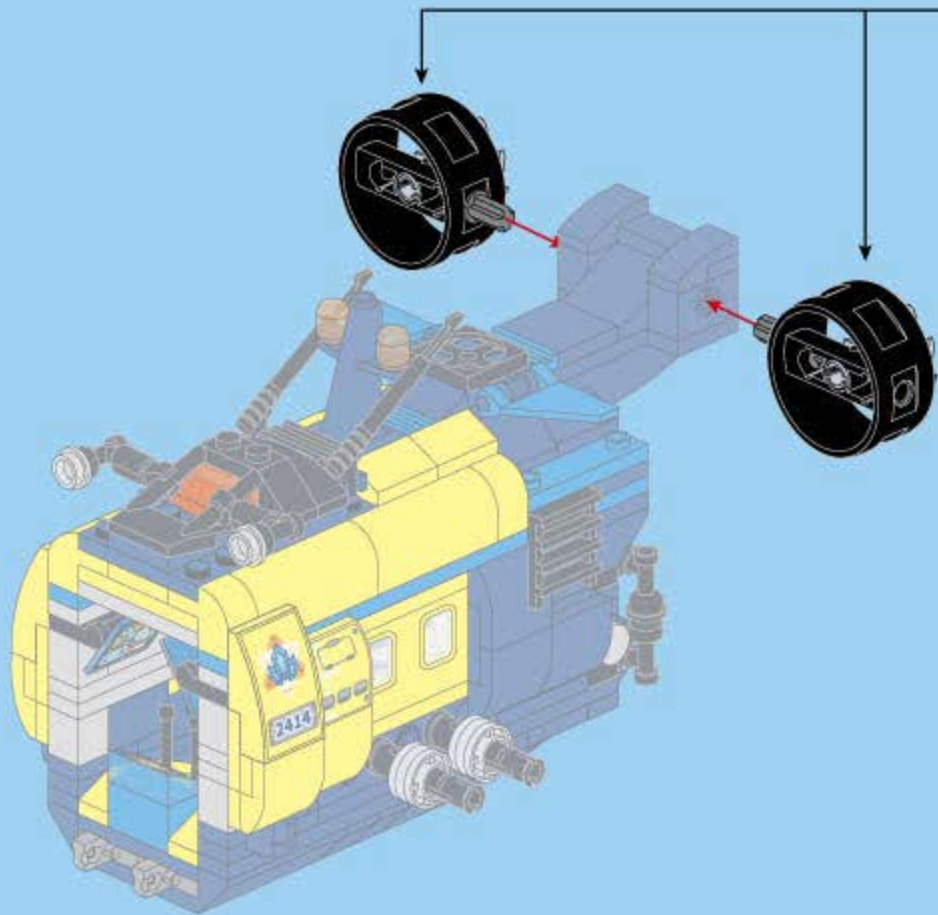
2x



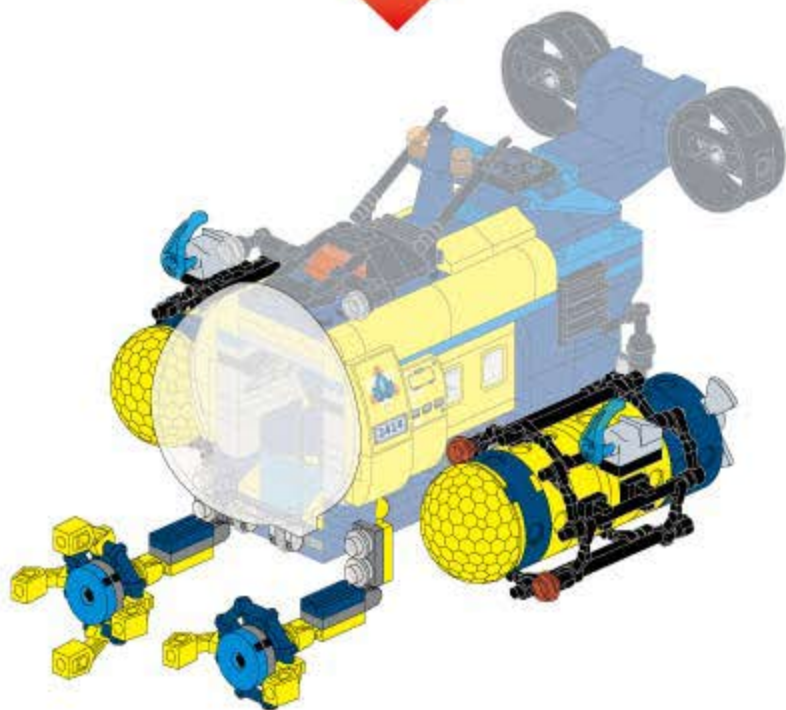
2x



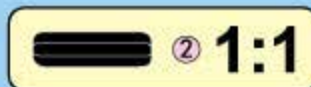
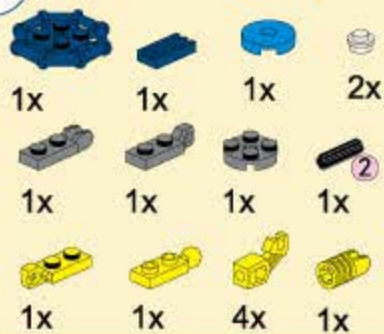
2x



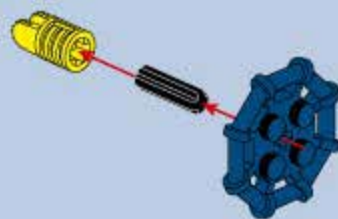
2x



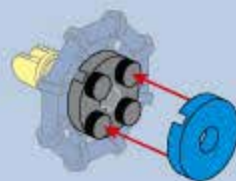
B28

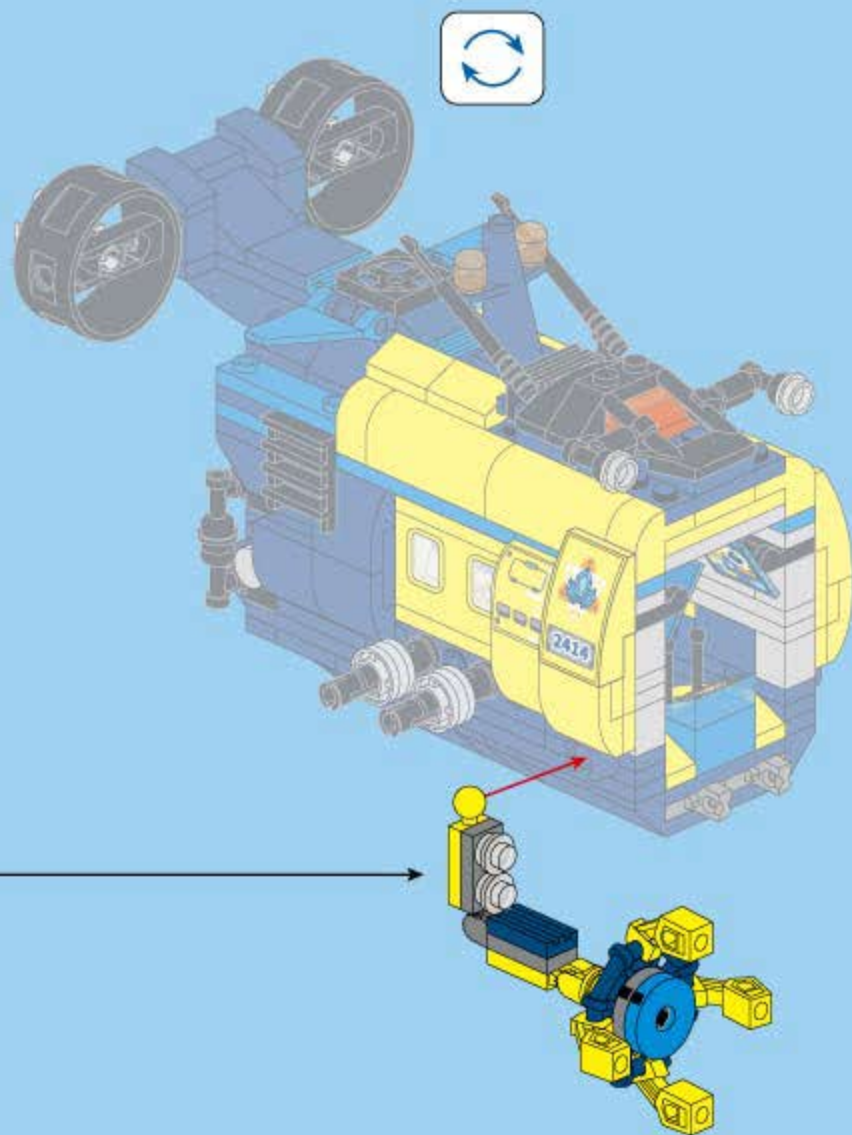
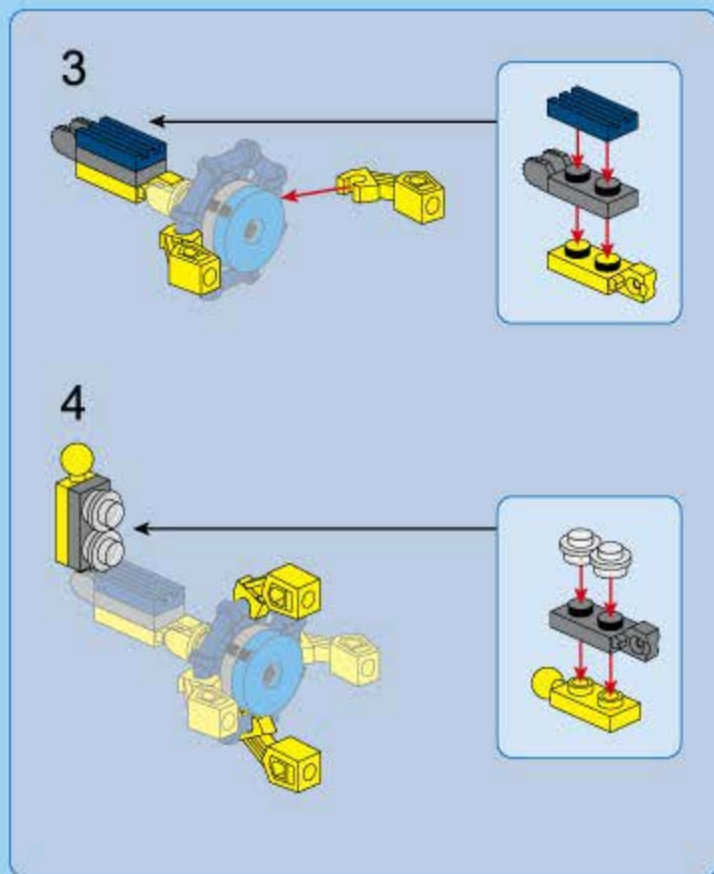


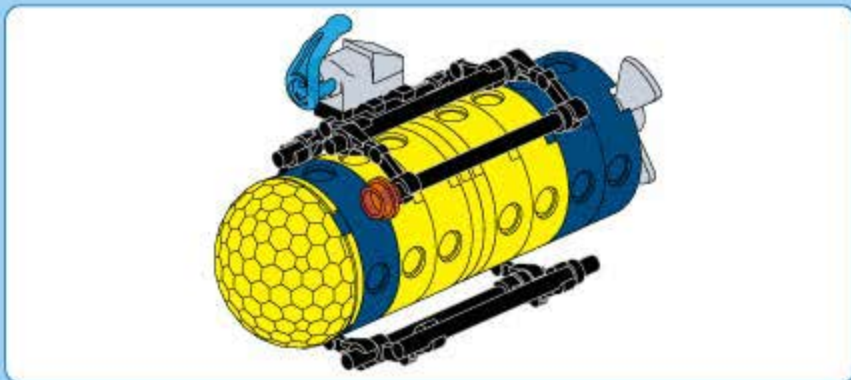
1



2







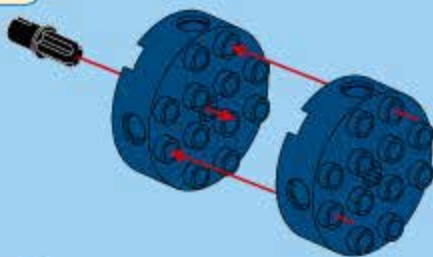
B29



2x



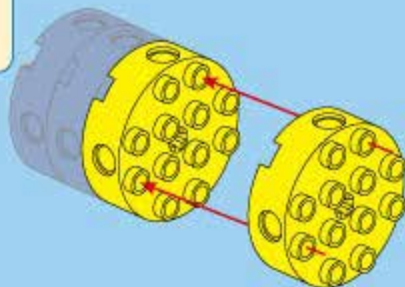
1x



B30



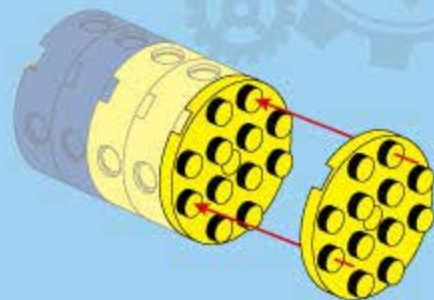
2x



B31



2x



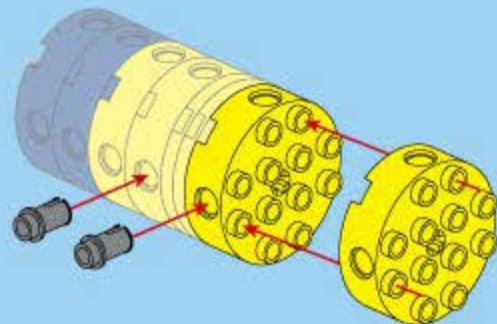
B32



2x



2x



B33



1x



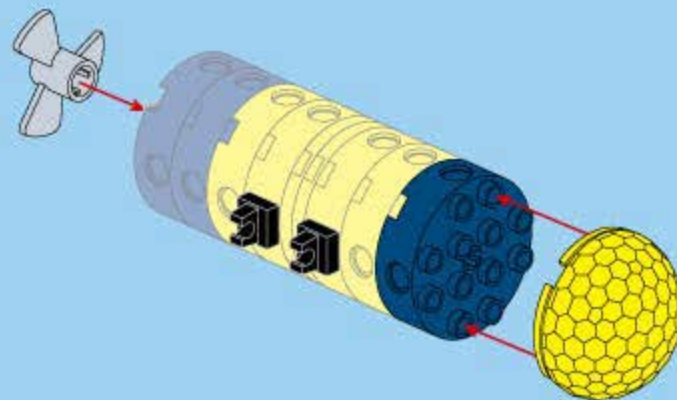
1x



1x



2x



B34



7x



1x



12x



1x



1x

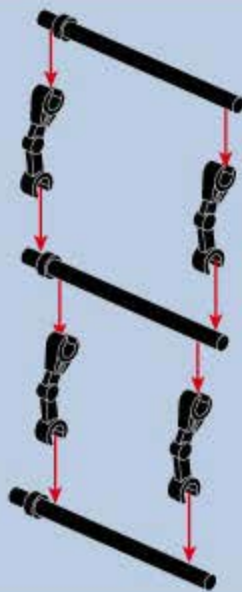


1x

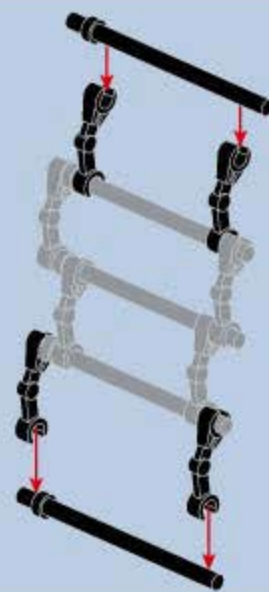


2x

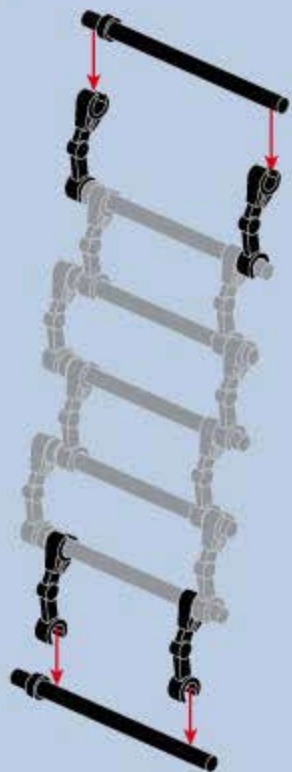
1



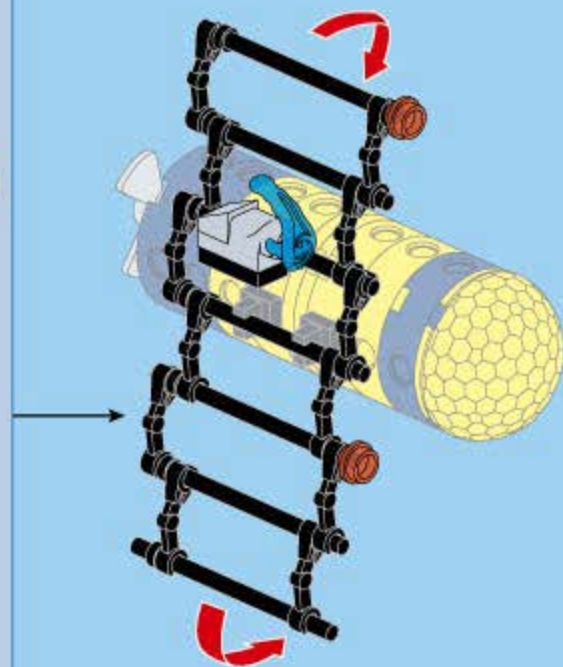
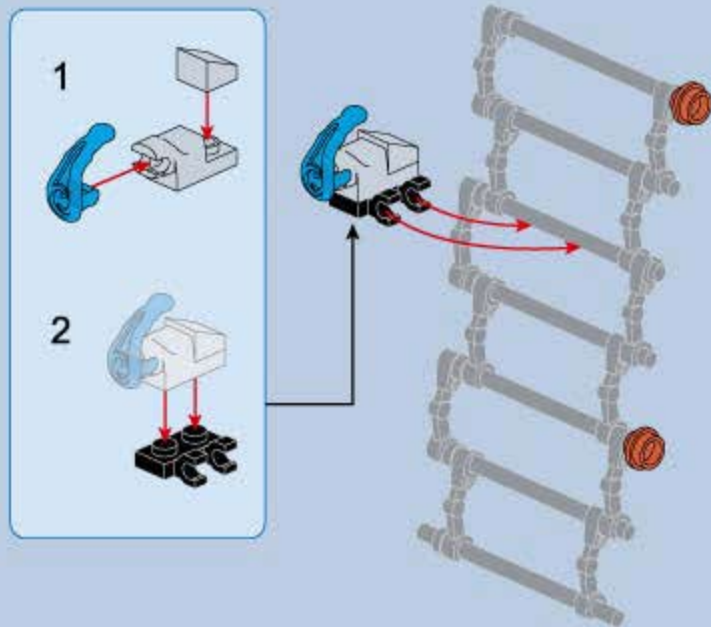
2



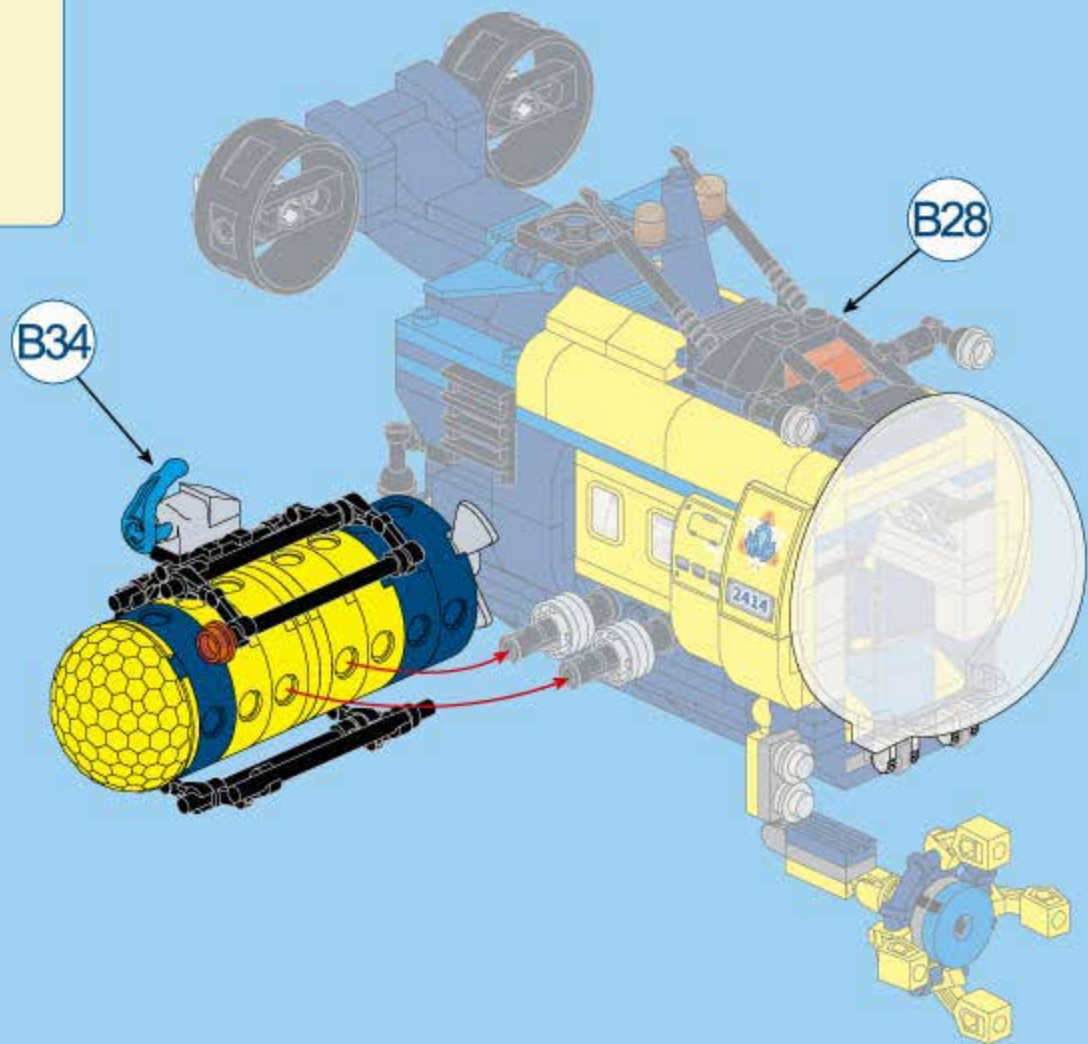
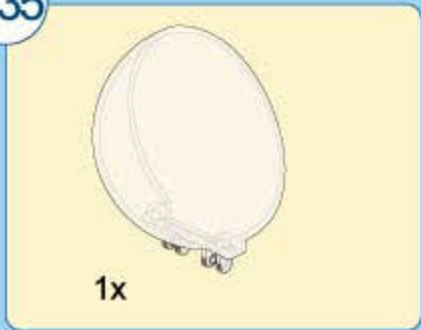
3



4



B35



B36

- | | | | |
|----|----|----|----|
| | | | |
| 1x | 1x | 1x | 2x |
| | | | |
| 1x | 1x | 1x | 1x |
| | | | |
| 1x | 1x | 2x | 1x |



② 1:1

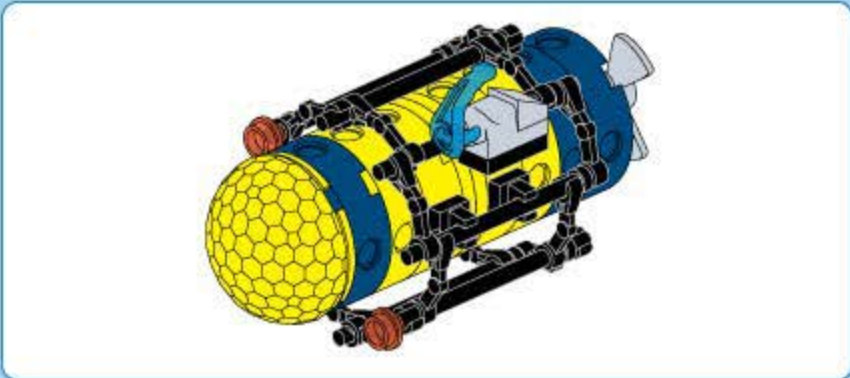


1

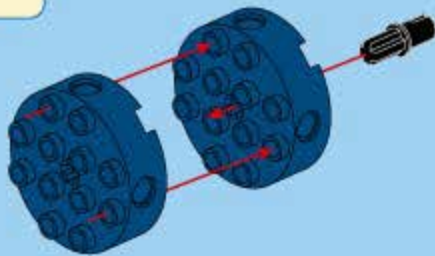
2

3

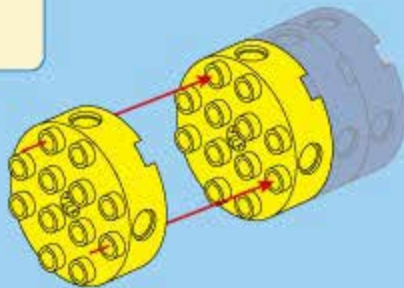
4



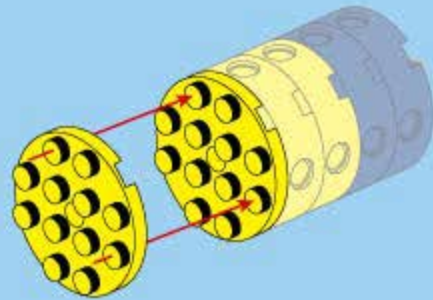
B37



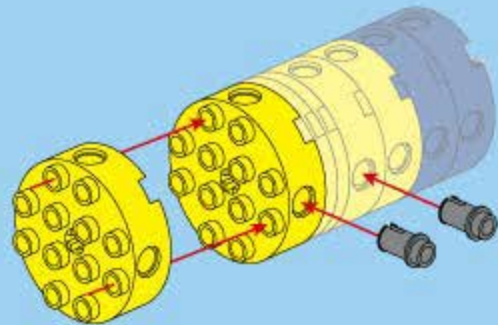
B38



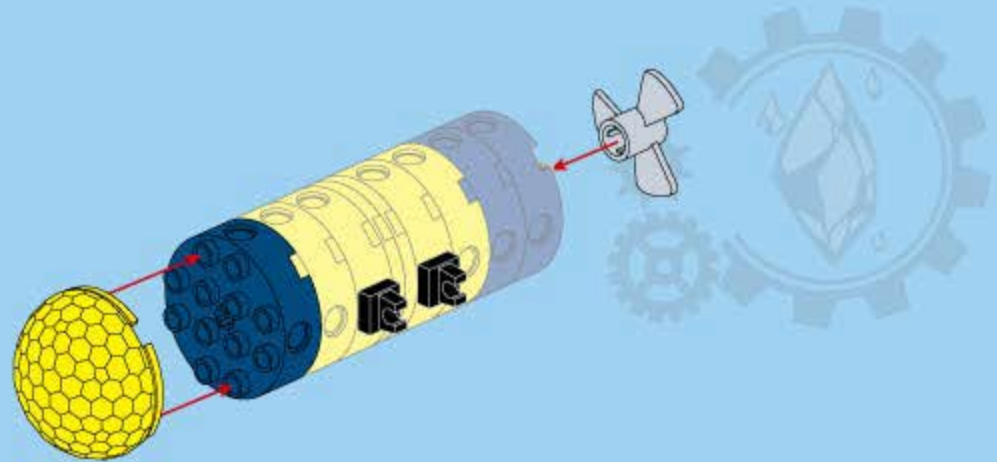
B39



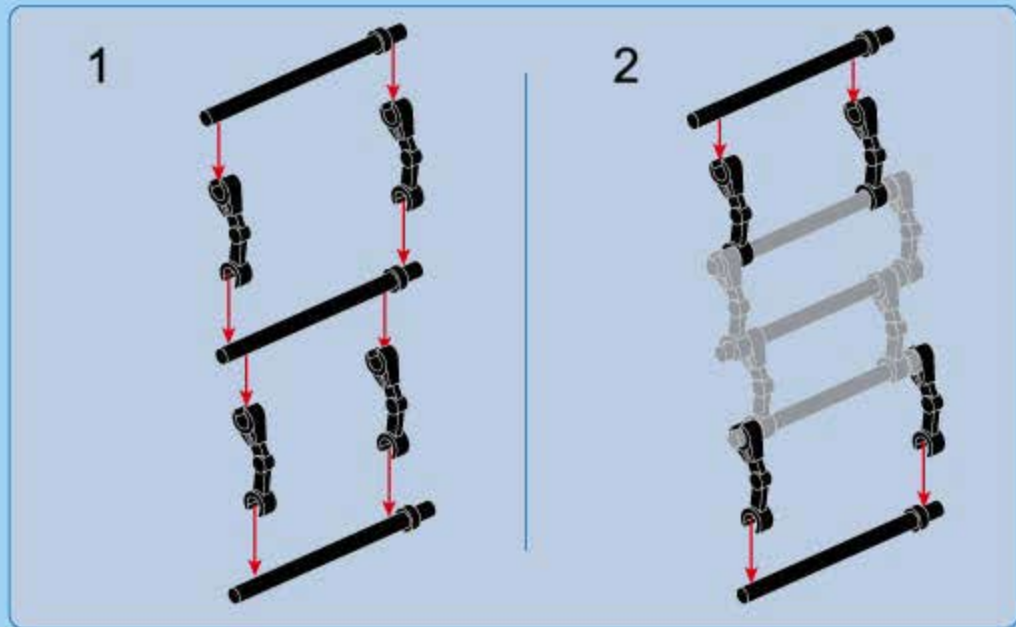
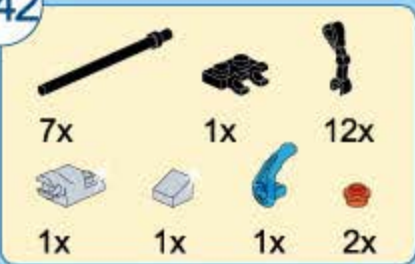
B40



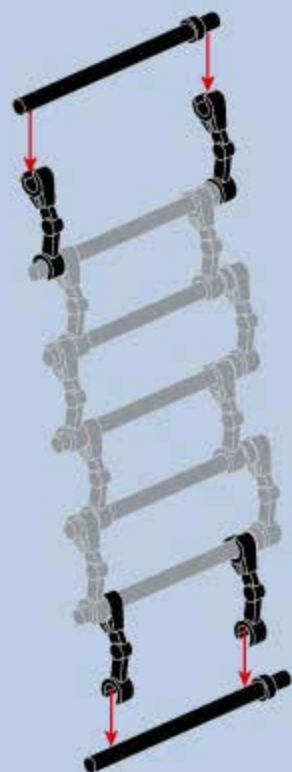
B41



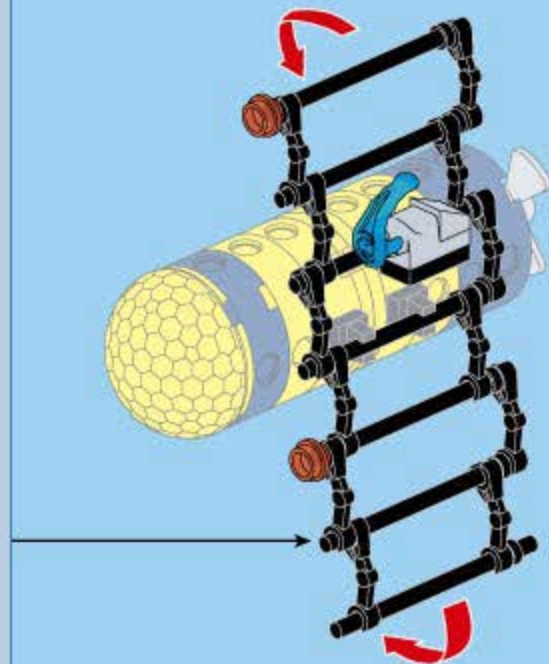
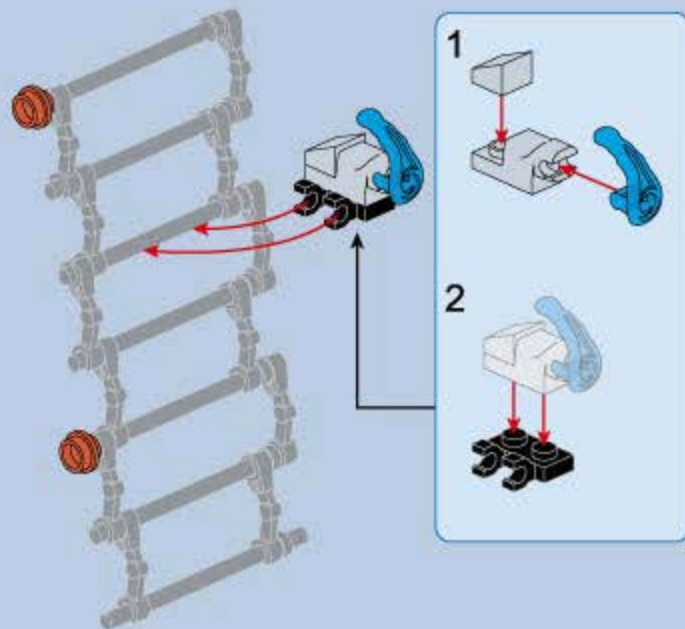
B42



3



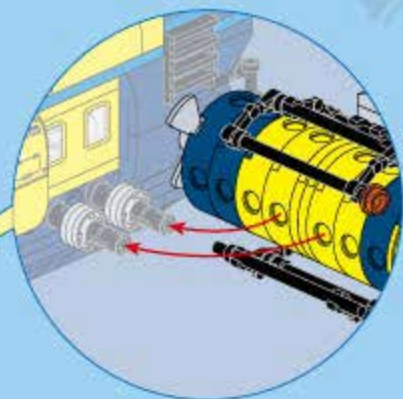
4



B43

B36

B42





KYANITE SQUAD

DEEP-SEA MISSION



2414



2413-1 TRAILBREAKER



2413-2 SURVEY BOAT



2413-3 DEEP-SEA DRILLER



2413-4 MINING ROBOT



2414 EXPLORER SUBMARINE



2415 SPIRAL DRILLING TRUCK



2416 DELTA COMMAND SHIP